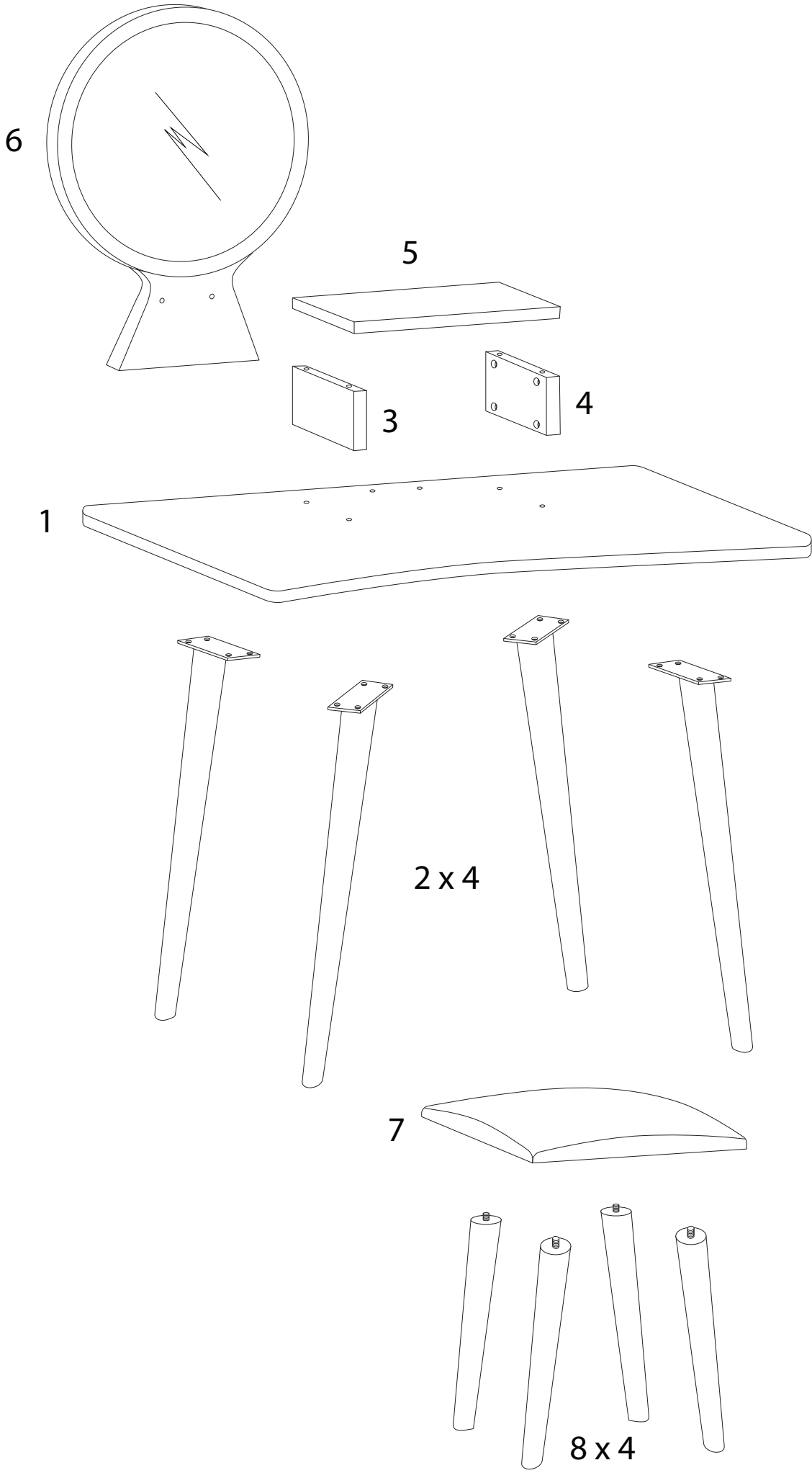
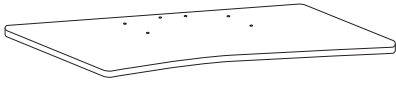


Diagram illustrating assembly steps and safety warnings:

- Step 1:** Shows a screwdriver and a power drill with a diagonal line through it, indicating that a power drill should not be used. A warning triangle with an exclamation mark is shown to the right.
- Step 2:** Shows a clock face and the number "30'", indicating a 30-minute time limit. A warning triangle with an exclamation mark is shown to the right.
- Step 3:** Shows a person icon and the number "2", indicating that two people are required for assembly. A warning triangle with an exclamation mark is shown to the right.



1



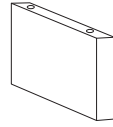
x 1

2



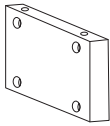
x 4

3



x 1

4



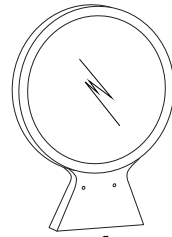
x 1

5



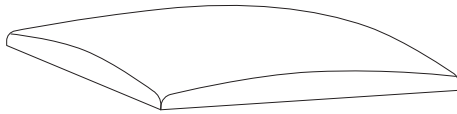
x 1

6



x 1

7



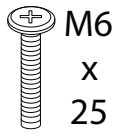
x 1

8



x 4

A



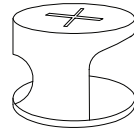
x 16

B



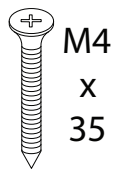
x 8

C



x 8

D



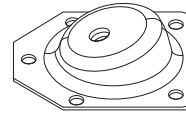
x 4

E



x 20

F



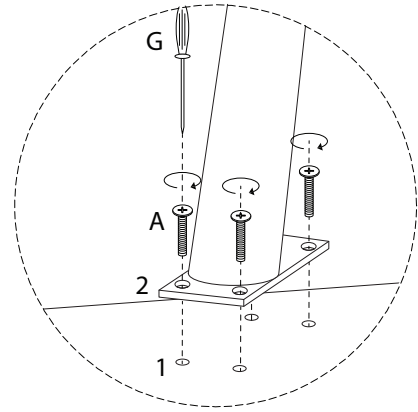
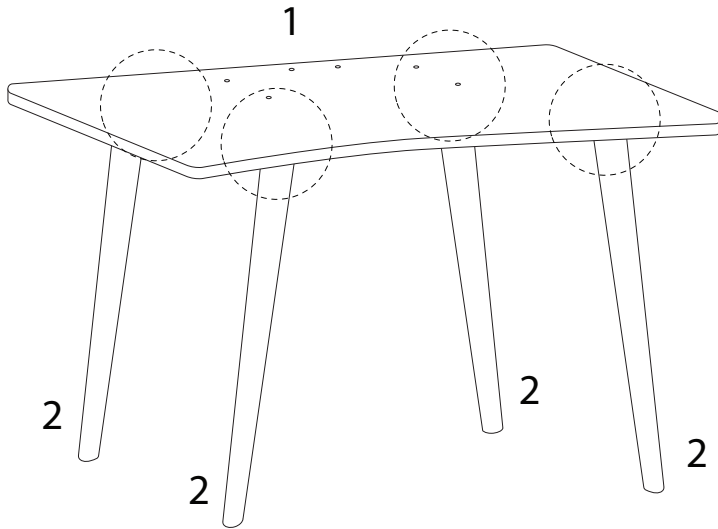
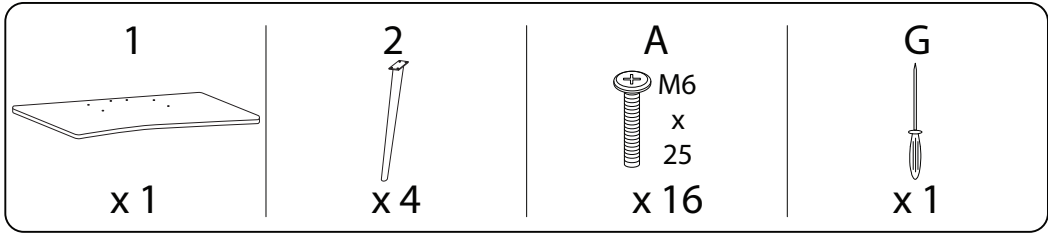
x 4

G

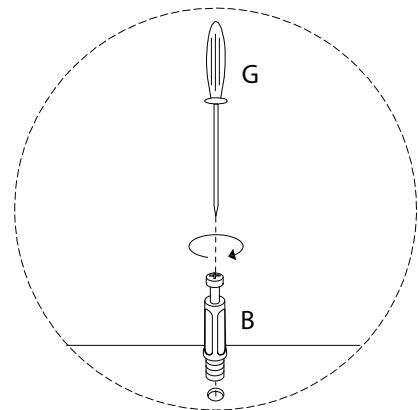
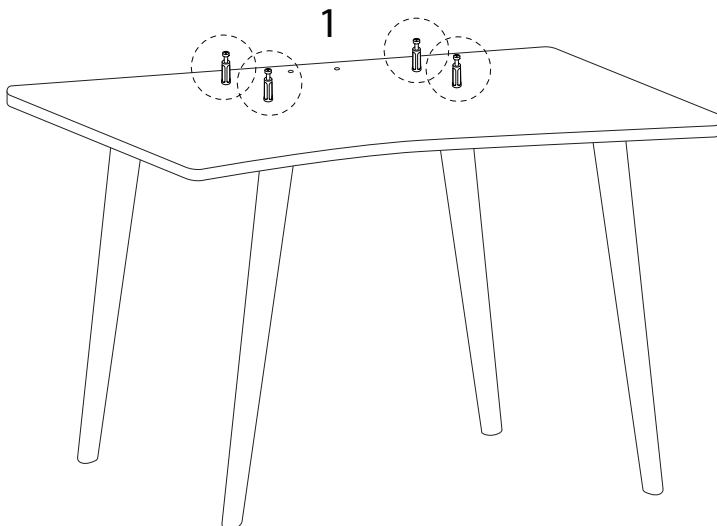
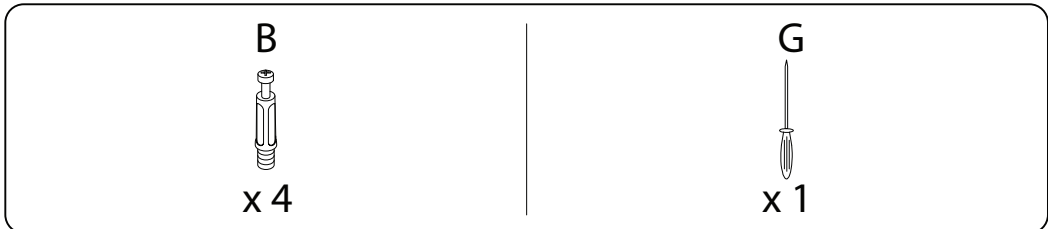


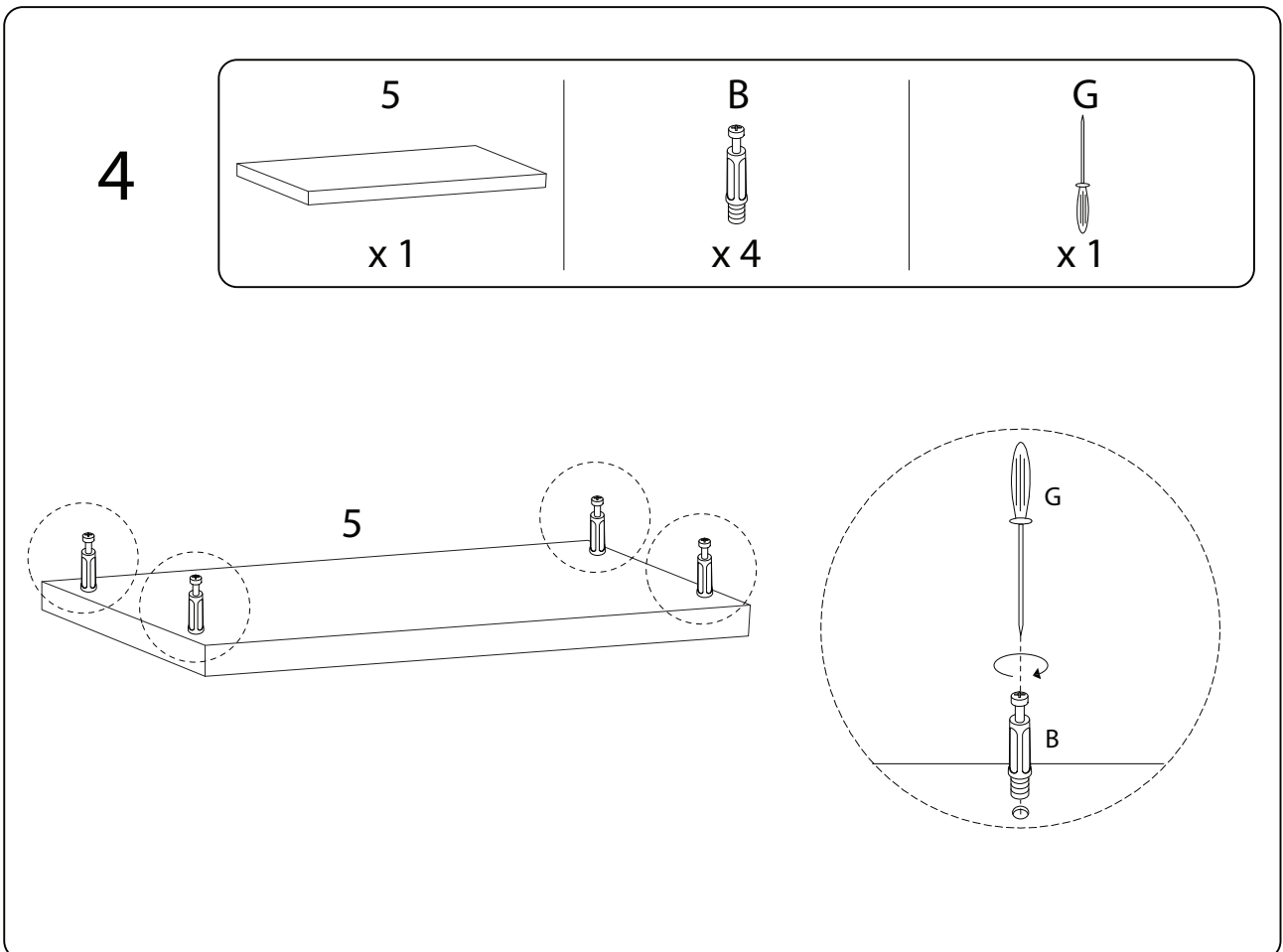
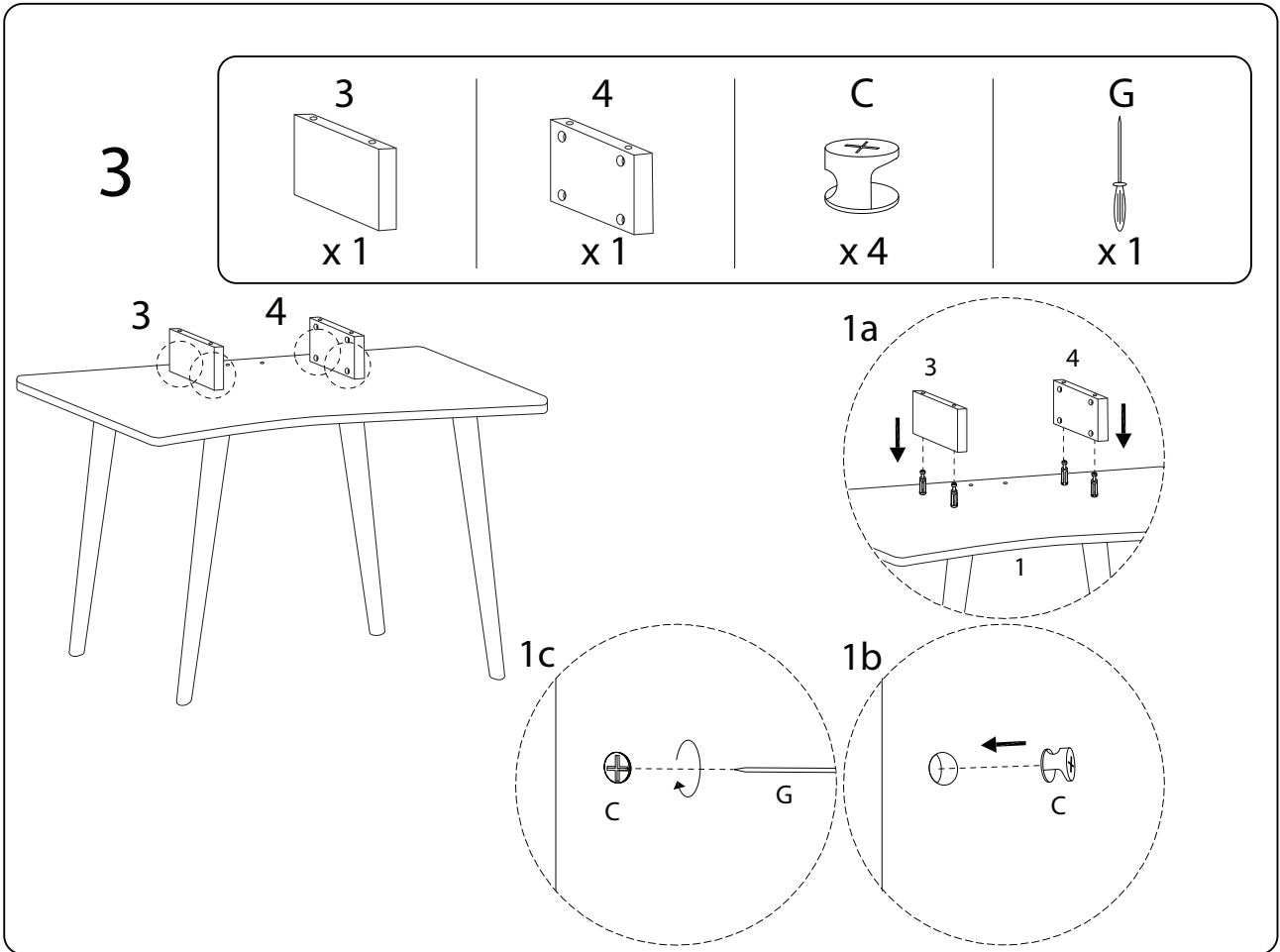
x 1

1



2





5

C

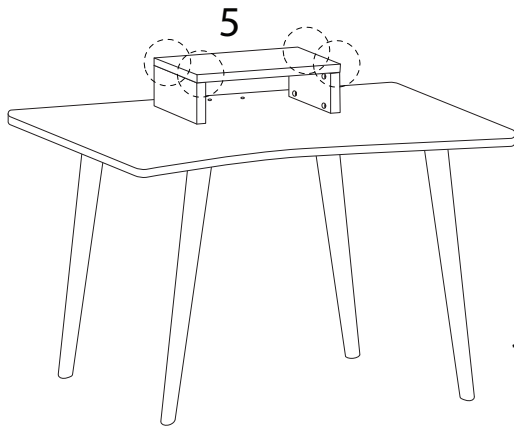


x 4

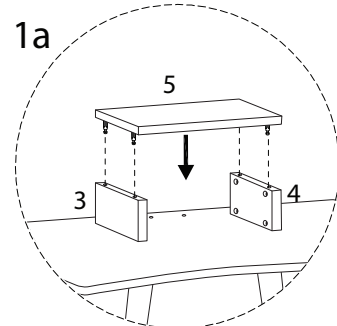
G



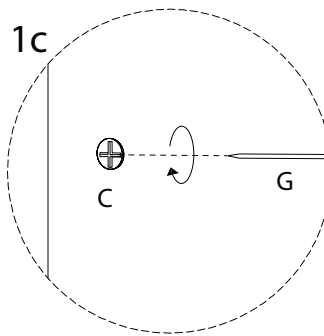
x 1



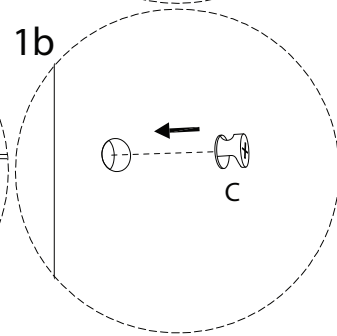
1a



1c

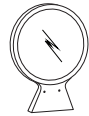


1b



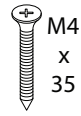
6

6



x 1

D

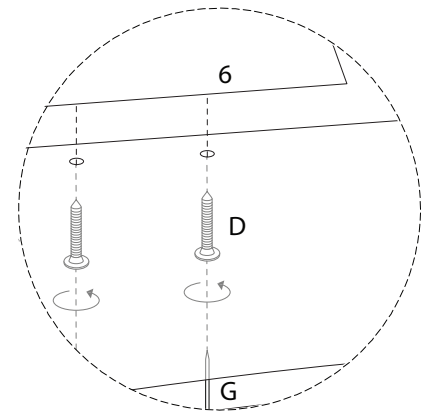
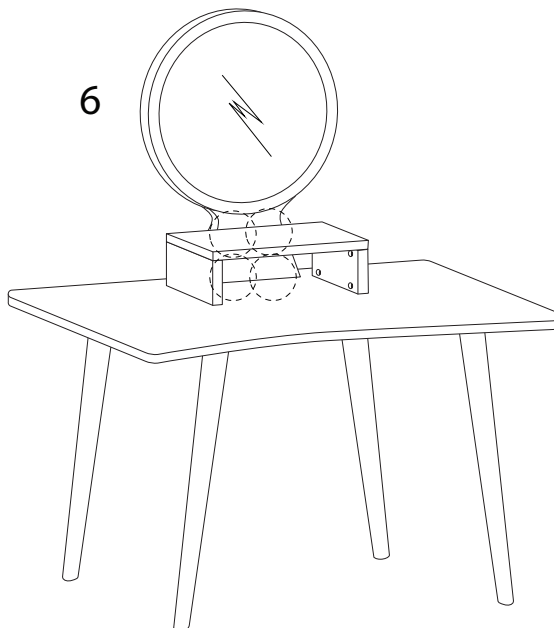


x 4





G

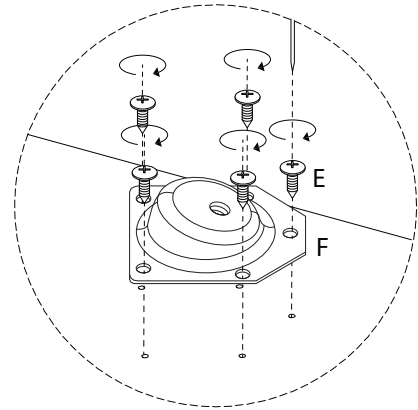
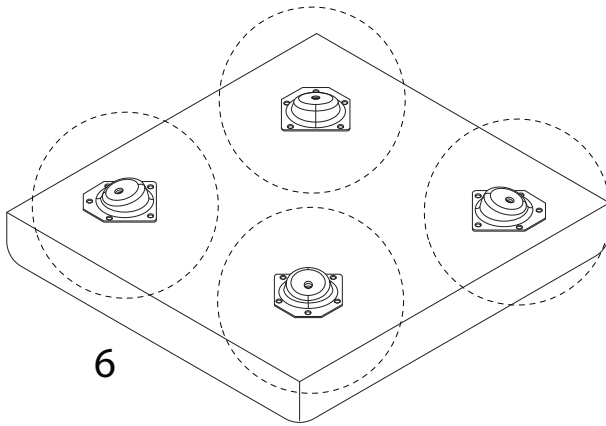


x 1




7

<p>7</p>  <p>x 1</p>	<p>E</p>  <p>M4 x 14</p> <p>x 20</p>	<p>F</p>  <p>x 4</p>	<p>G</p>  <p>x 1</p>
---	---	--	---



8

<p>8</p>  <p>x 4</p>

