
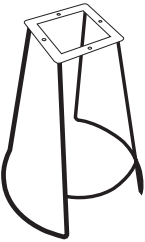





# Assembly Instructions

## SCOUP SEAT COUNTER STOOL

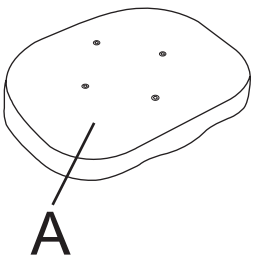


NO.	PARTS	DESCRIPTION	Q'TY	NO.	PARTS	DESCRIPTION	Q'TY
<b>A</b>		<b>Seat</b>	1PC	<b>B</b>		<b>Base</b>	1PC
<b>C</b>		Allen Head Bolt 1/4" 6/8"	4PCS				
<b>D</b>		Flat Washer Ø12*T1.0	4PCS	<b>E</b>		Allen Head Wrench 4MM	1PCS

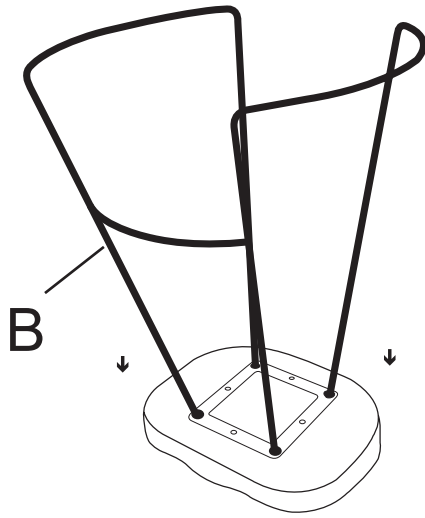
# Assembly Instructions

## SCOUP SEAT COUNTER STOOL

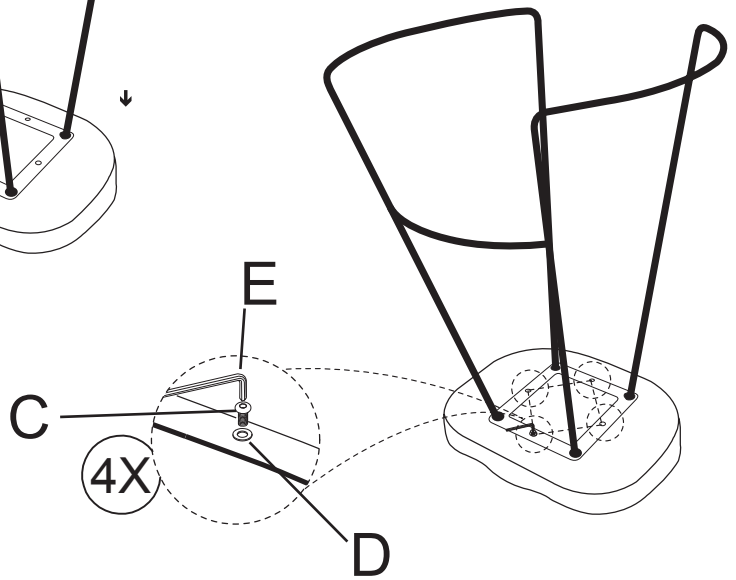
STEP1



STEP2



STEP3



STEP4

