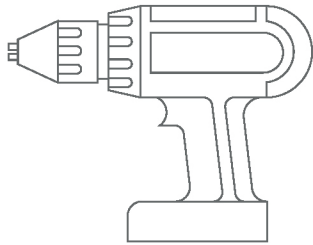


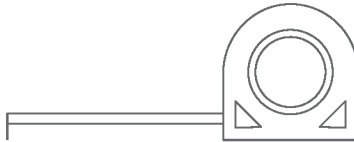
Tessari Diamond Door

NECESSARY TOOLS

not included



Power drill



Tape measure



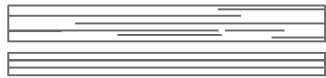
Chisel



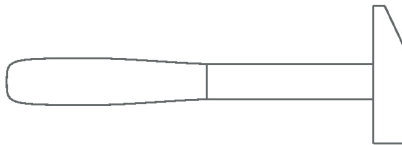
Self-centering
Hinge Drills



Level



Shims



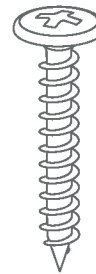
Hammer



Safety glasses



Pencil



Screws



Do not use standard
nails and hammer



Do not step
on the door



Do not lay down
on edges

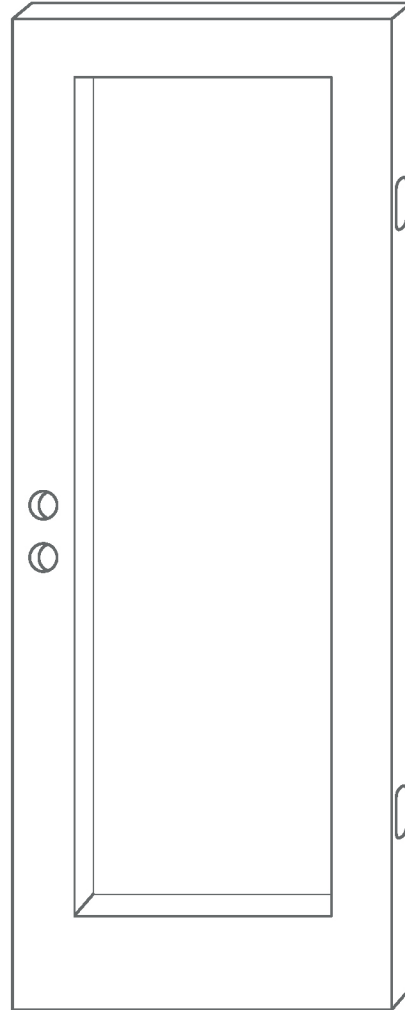
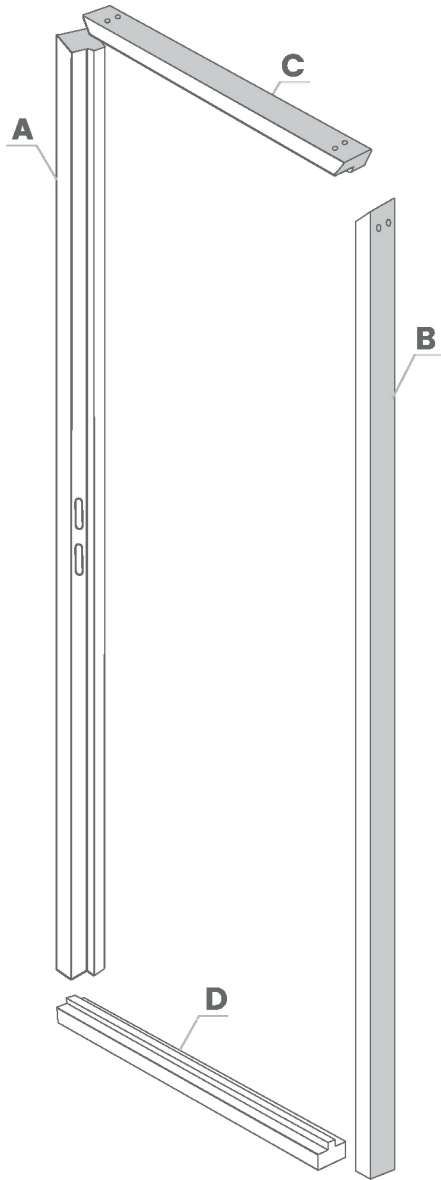


Do not lean
on the wall

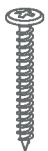
WARNING!

Please do not throw away the packing
cardboard until the end of the installation

DIAMOND DOOR

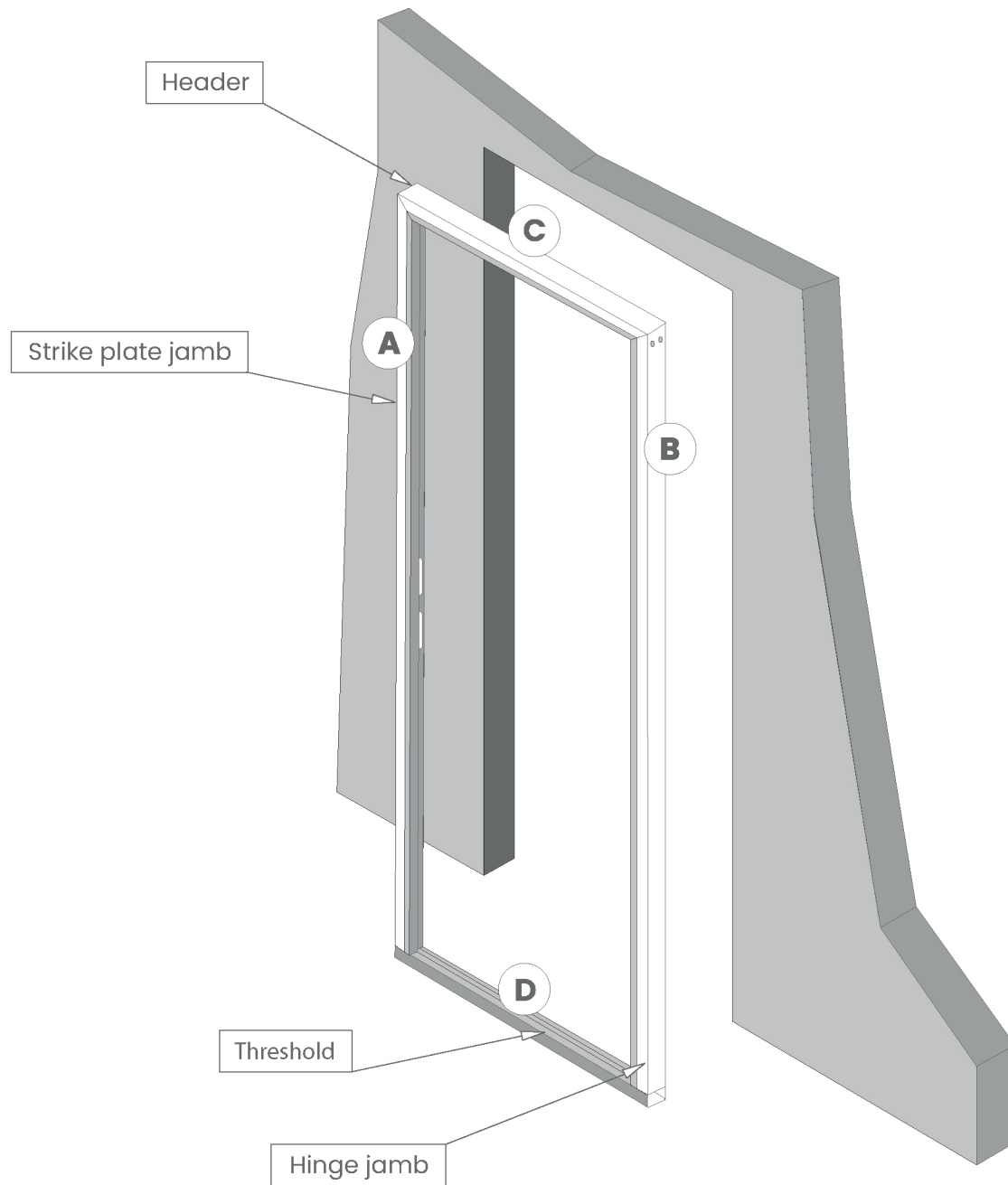


Door slab is
already pre-drilled
for hinges and
handle.



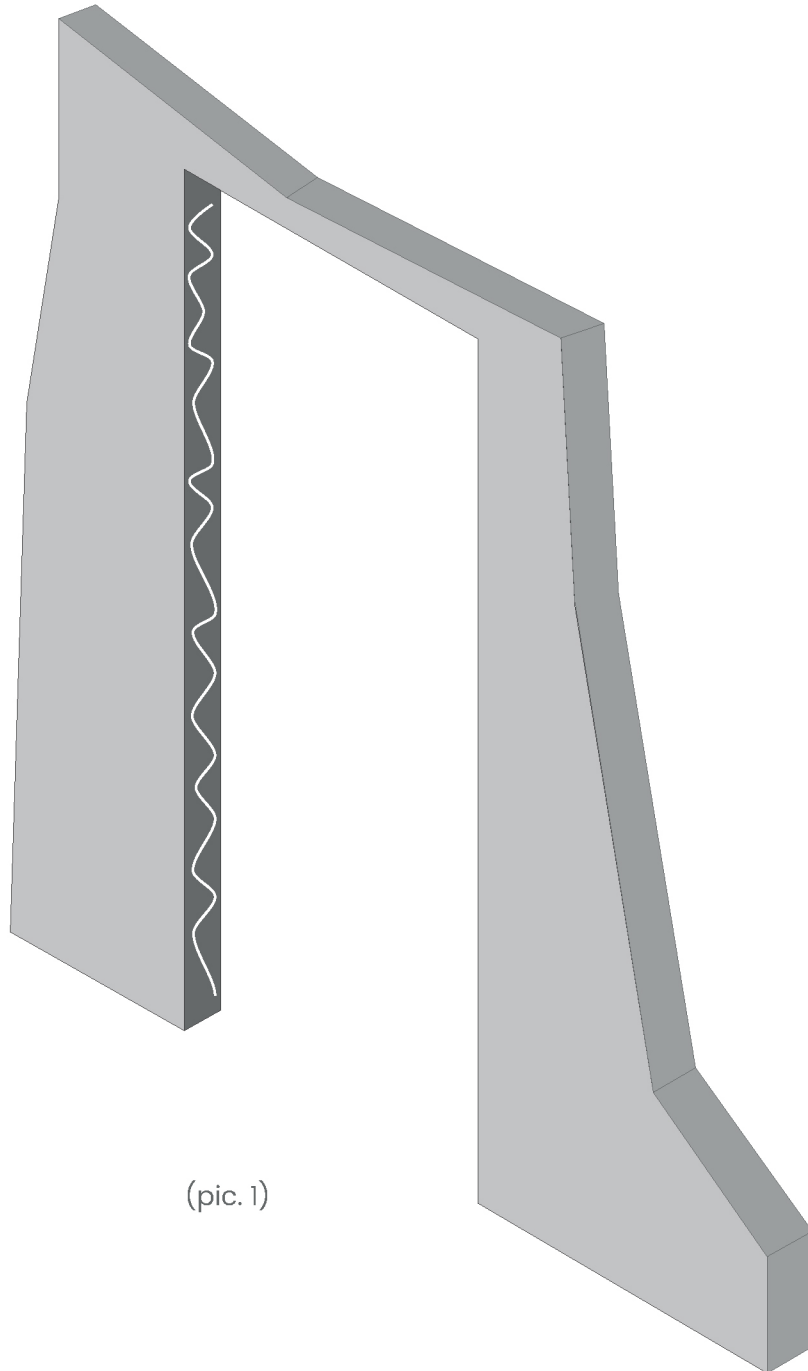
The length of the
screw for installation
must be selected
depending on
the type of wall.

Locations of the Diamond jamb parts



STEP 1.

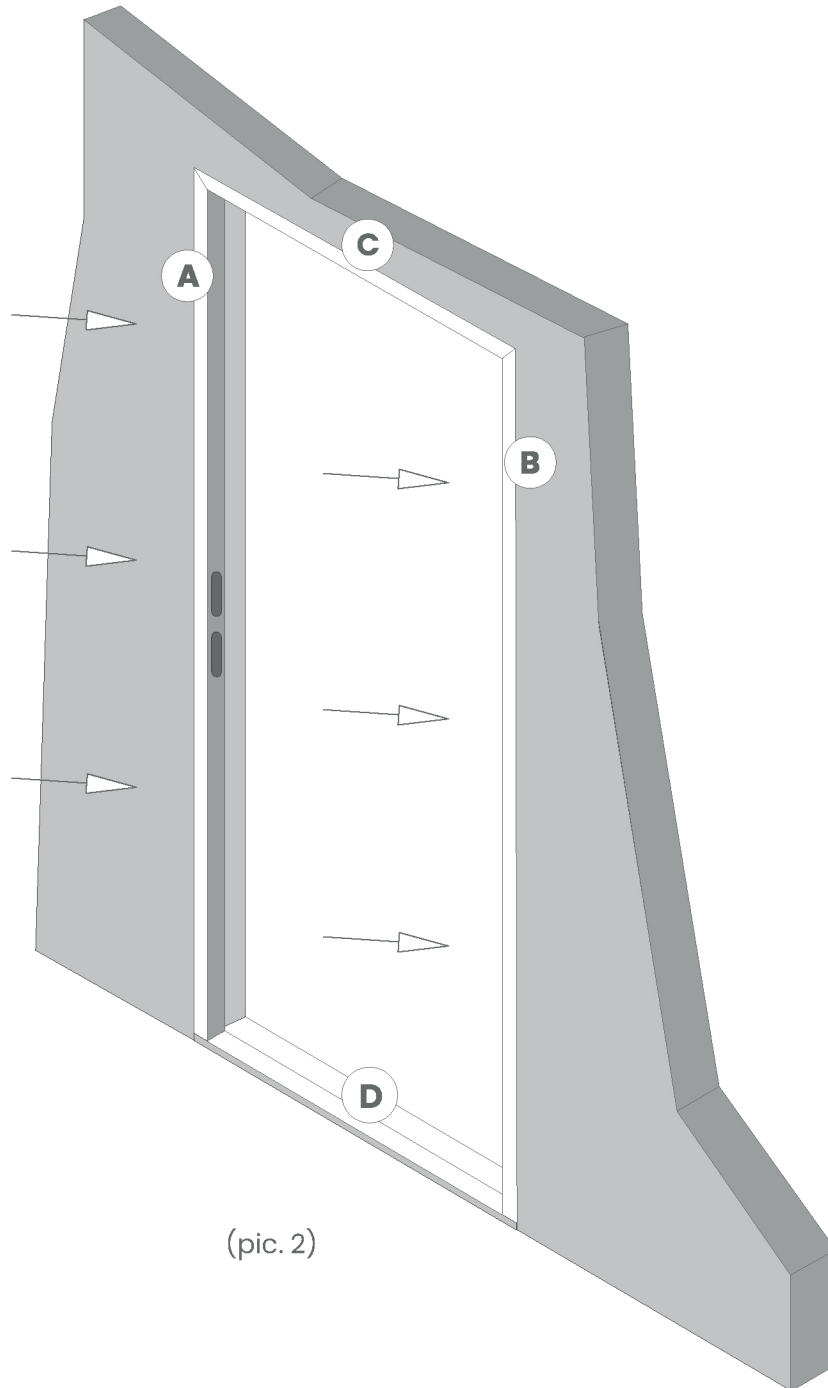
Seal joints with silicone (ASTM C920). Apply mounting foam around the perimeter (joint width 4"-6"), fill with foam with expansion $\leq 20\%$ (ASTM C1620) (pic. 1).



(pic. 1)

STEP 2.

Attach connect A, B, C, D jamb pieces to the door opening keeping in mind your chosen swing direction (pic. 2).

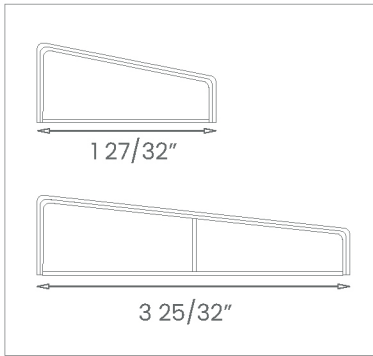


(pic. 2)

STEP 3.

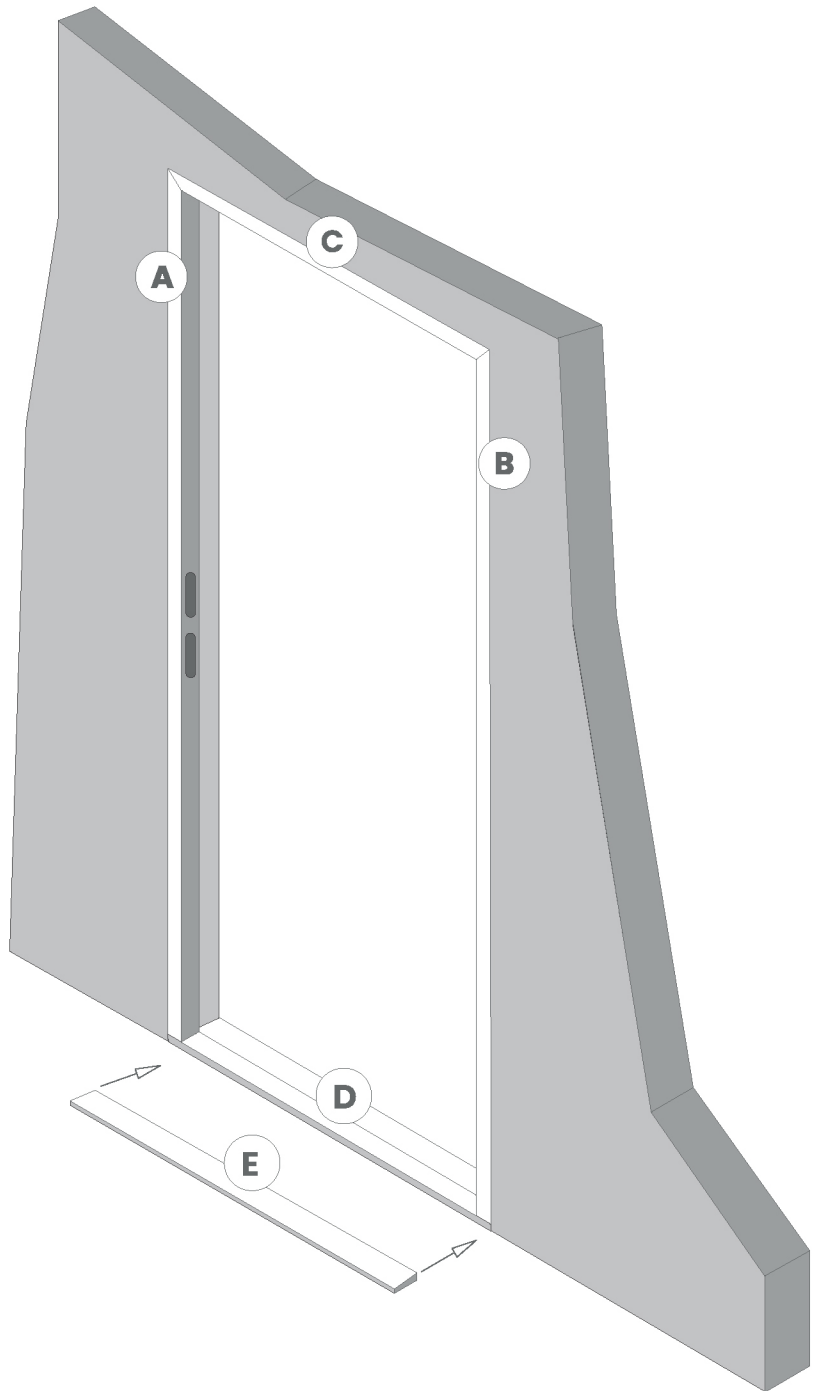
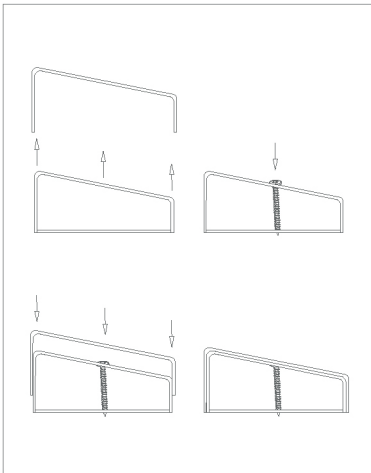
Additional threshold extension option:

An add-on threshold (item E) is available to increase the length of the main threshold. Dimensions of the add-on threshold are provided in (pic. 3).



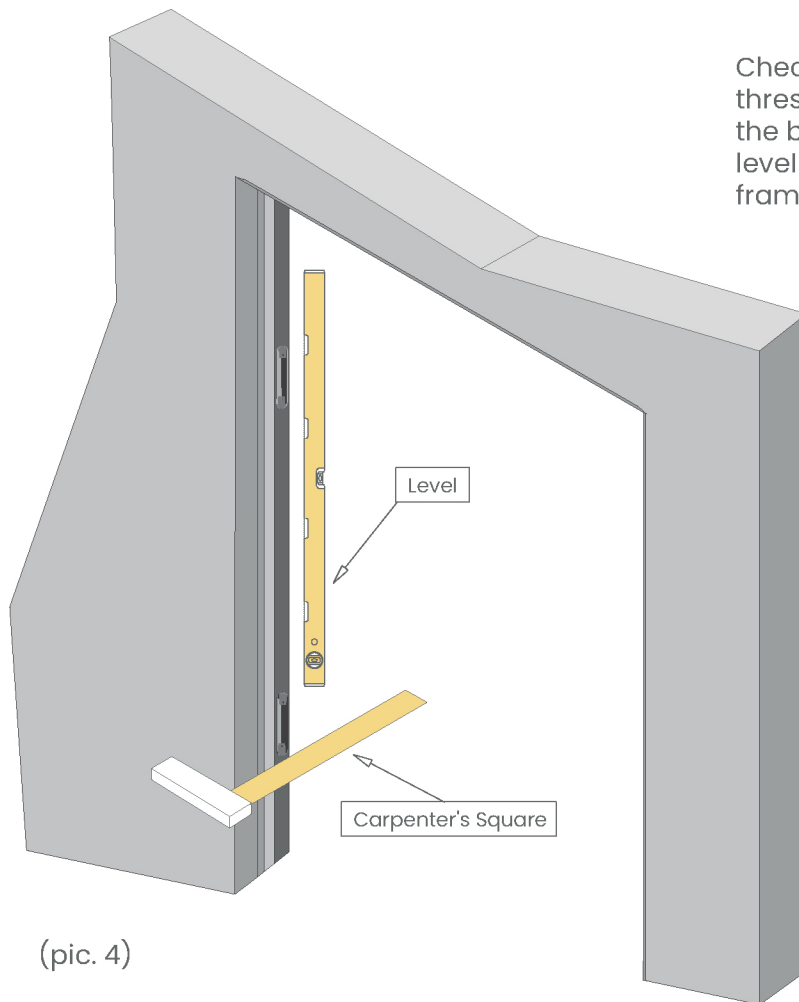
(pic. 3)

Step-by-step additional threshold installation

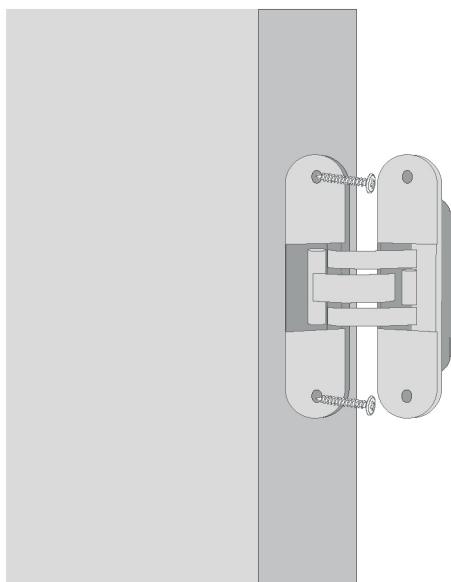


STEP 4.

Check the horizontal position of the threshold and the vertical position of the box's posts using a construction level to avoid any distortion of a door frame (pic. 4).



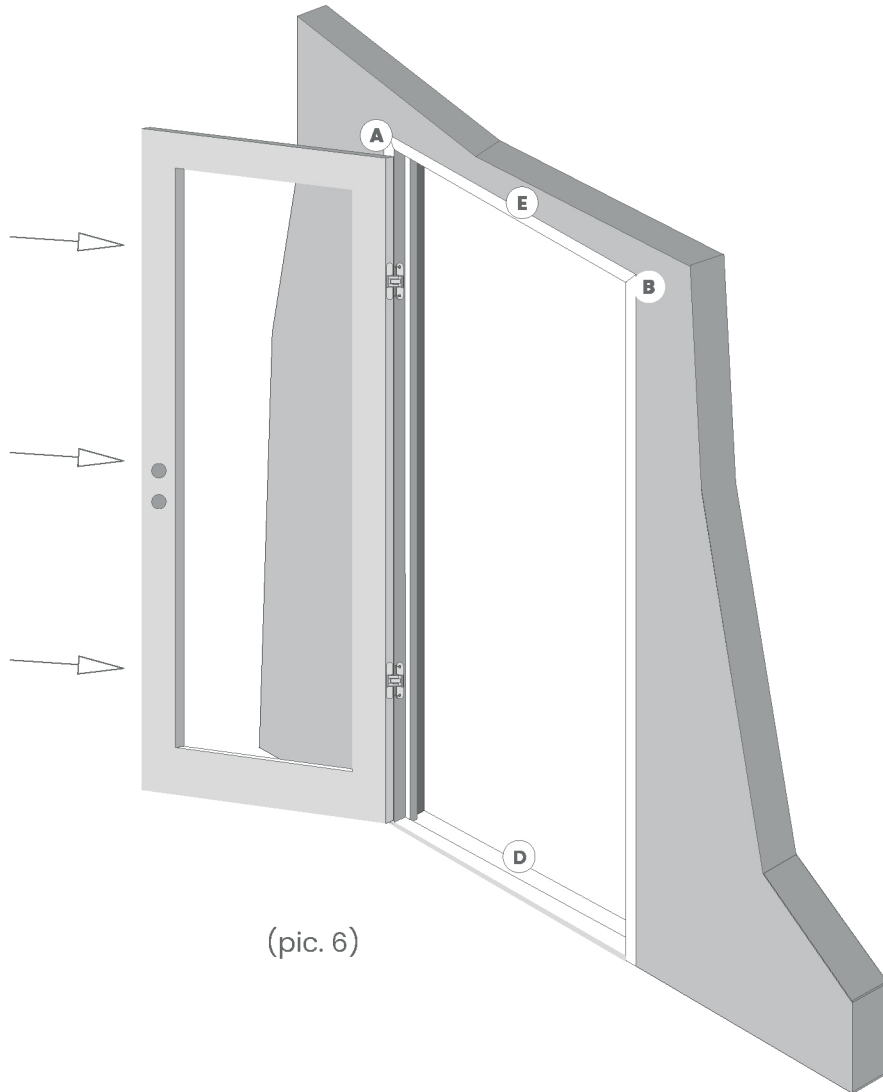
(pic. 4)



(pic. 5)

STEP 5.

Please, pre-drill future screw locations on the door slab with a smaller than screw diameter drill bit before you secure screws. Don't apply hinge caps at this stage.



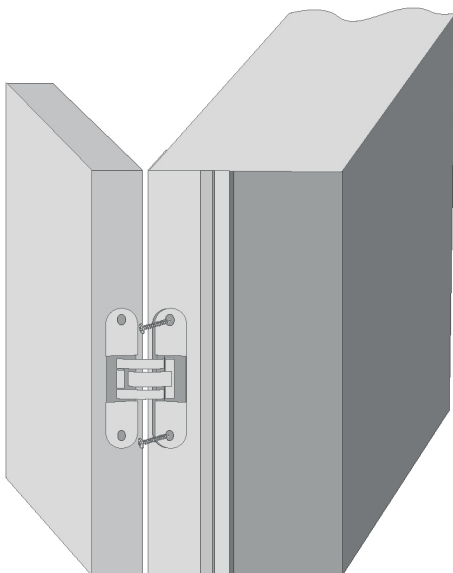
(pic. 6)

STEP 6.

Two people are required to hang the door slab on the door jamb.

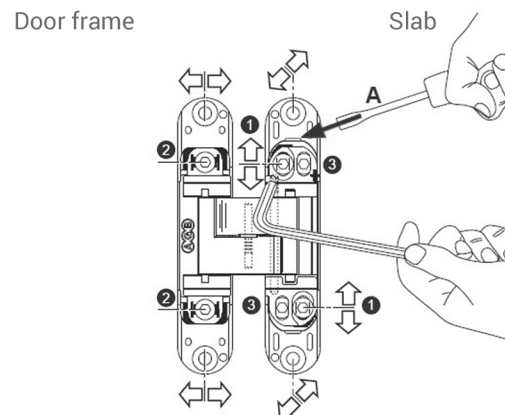
STEP 7.

Secure door hinges to the door jamb with the help of the screws attached to the door jamb. All door jambs come with special screws attached to the preparations of the hinges.



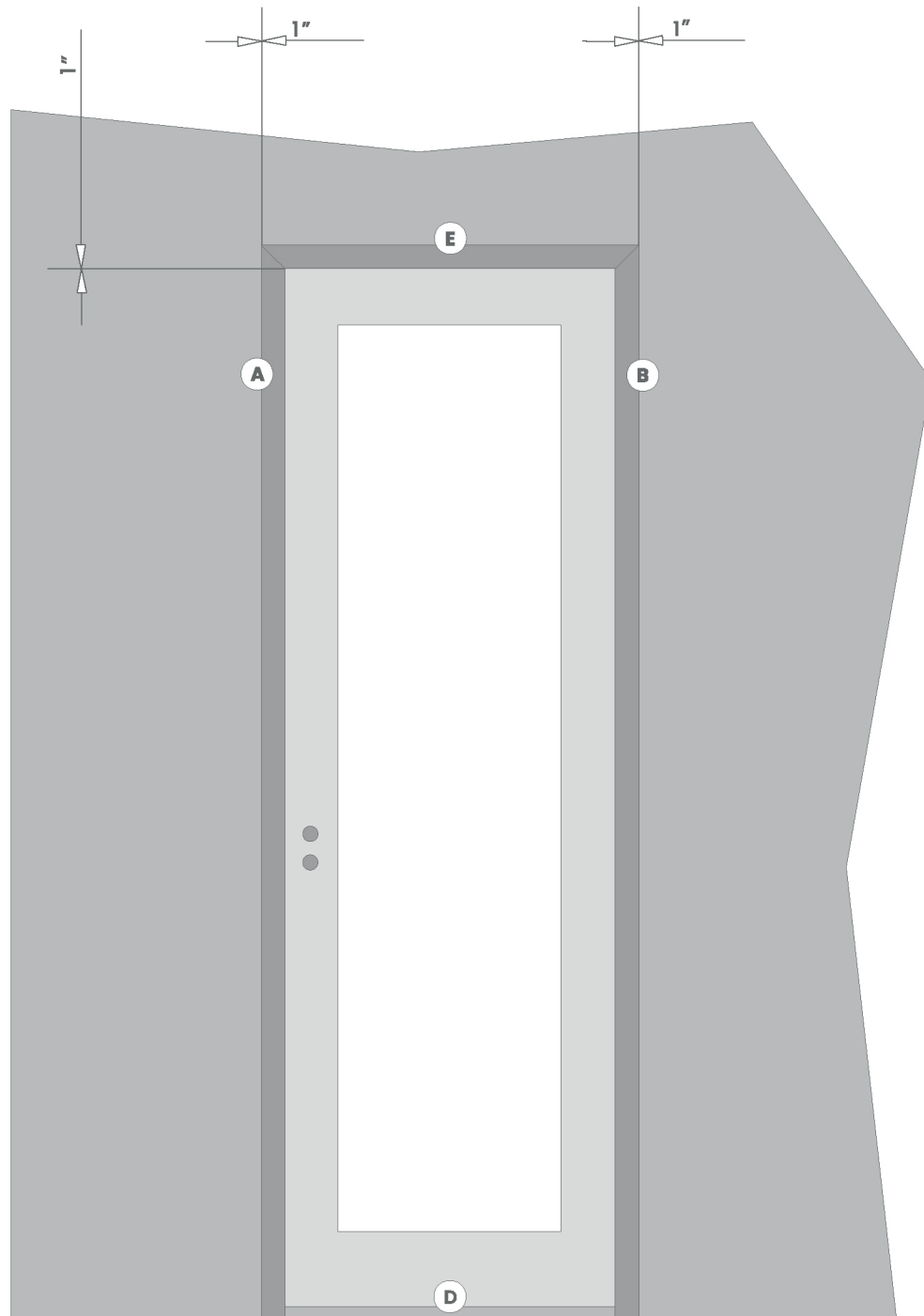
(pic. 7)

Scheme for mounting hinges:
Armadillo 7800



STEP 8.

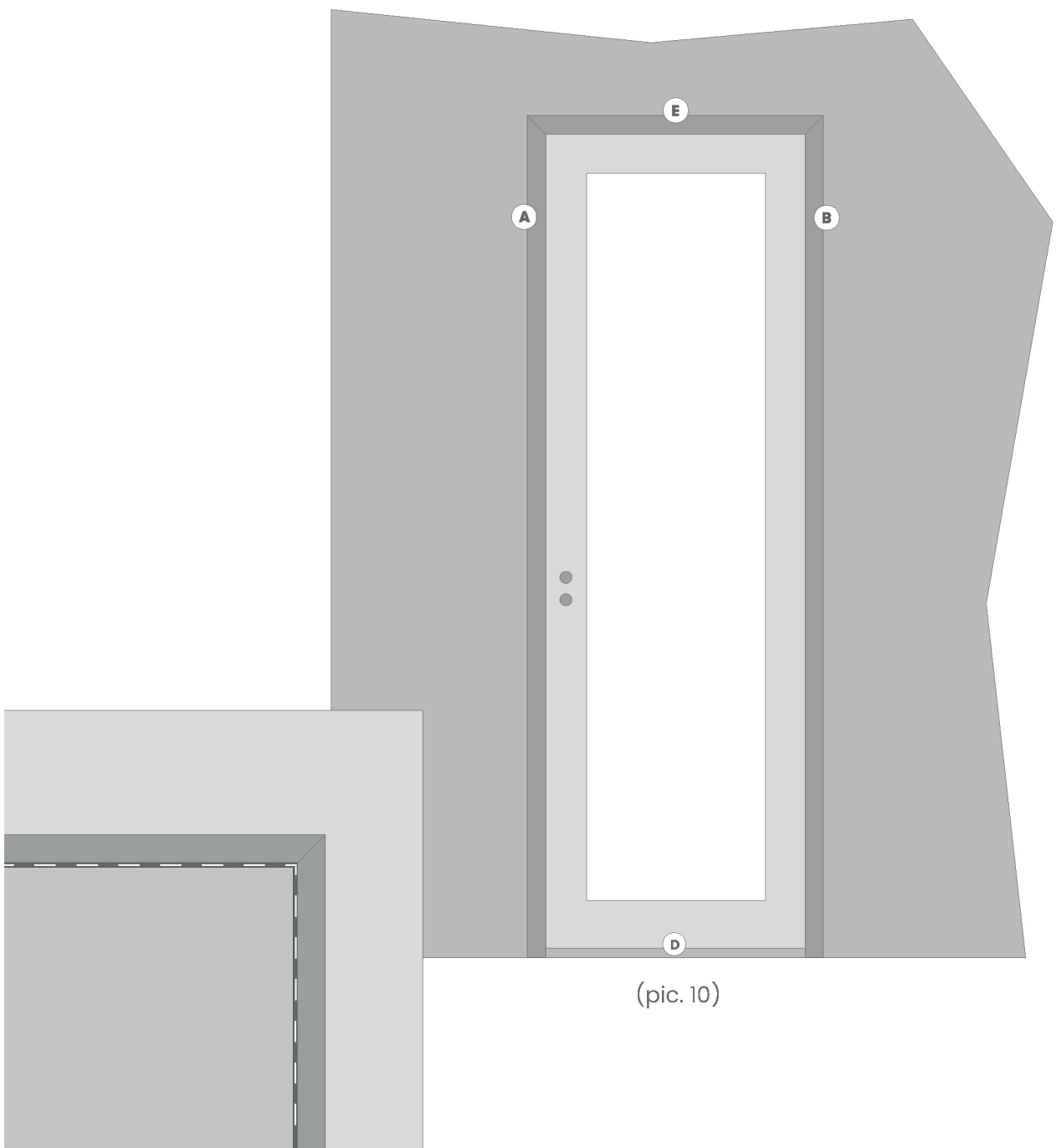
Close the door and align A, B, E jamb pieces around the door slab.
Keep nice looking gaps between door slab and jambs. Standard gaps shown in the picture.



(pic. 8)

STEP 9.

Please, keep nice gaps all around the door slab.

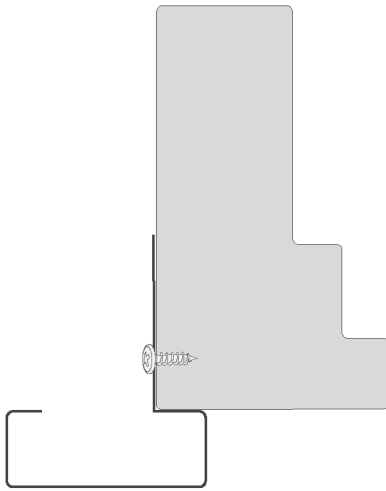


(pic. 9)

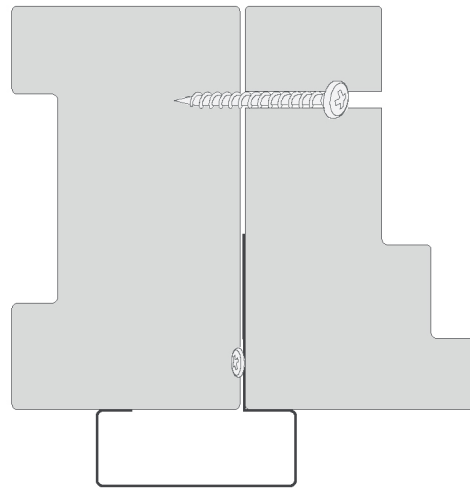
STEP 10.

Connect the transom to the frame with 4.5x70 mm screws through the technological holes in the frame post (pic. 11, pic. 12).

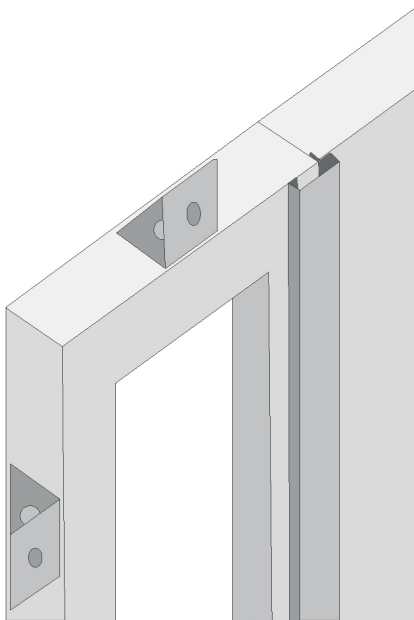
Install a casing between the frame post and the transom.



(pic. 11)



(pic. 12)



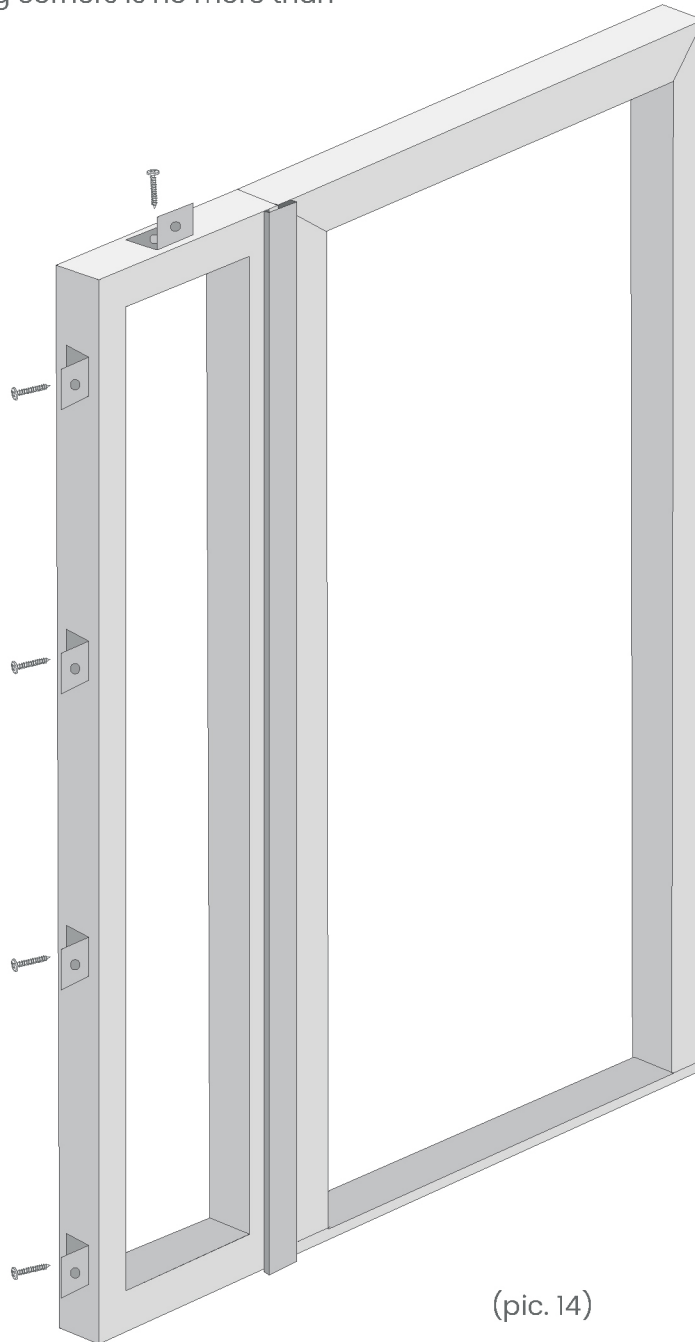
(pic. 13)

STEP 11.

Use 0,7" steel angles (ASTM A36) (pic. 13).

STEP 12.

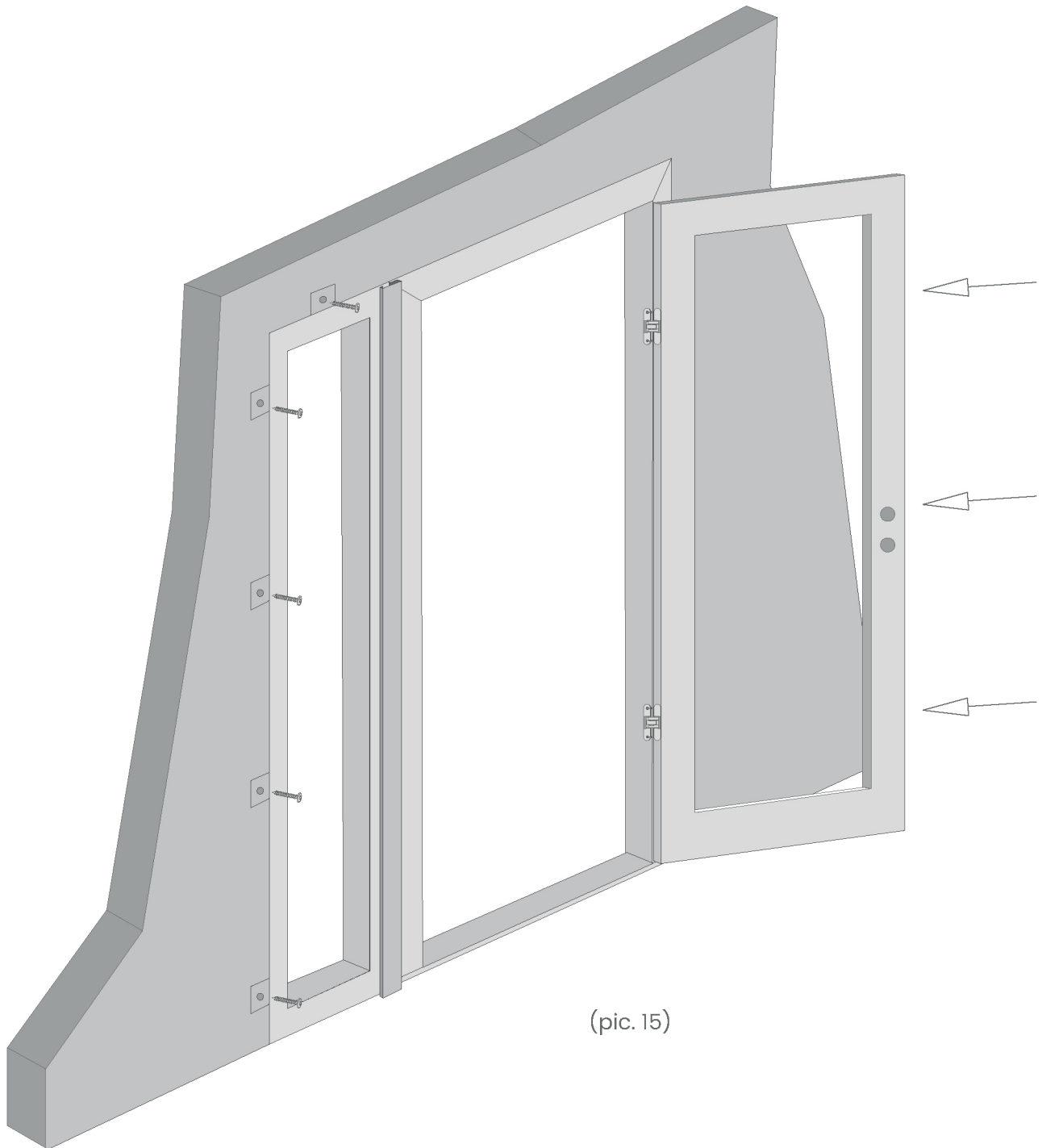
The number of corners on the vertical post and on the upper part is at least 4 pcs. The distance between the fastening corners is no more than 197" (pic. 14).



(pic. 14)

STEP 13.

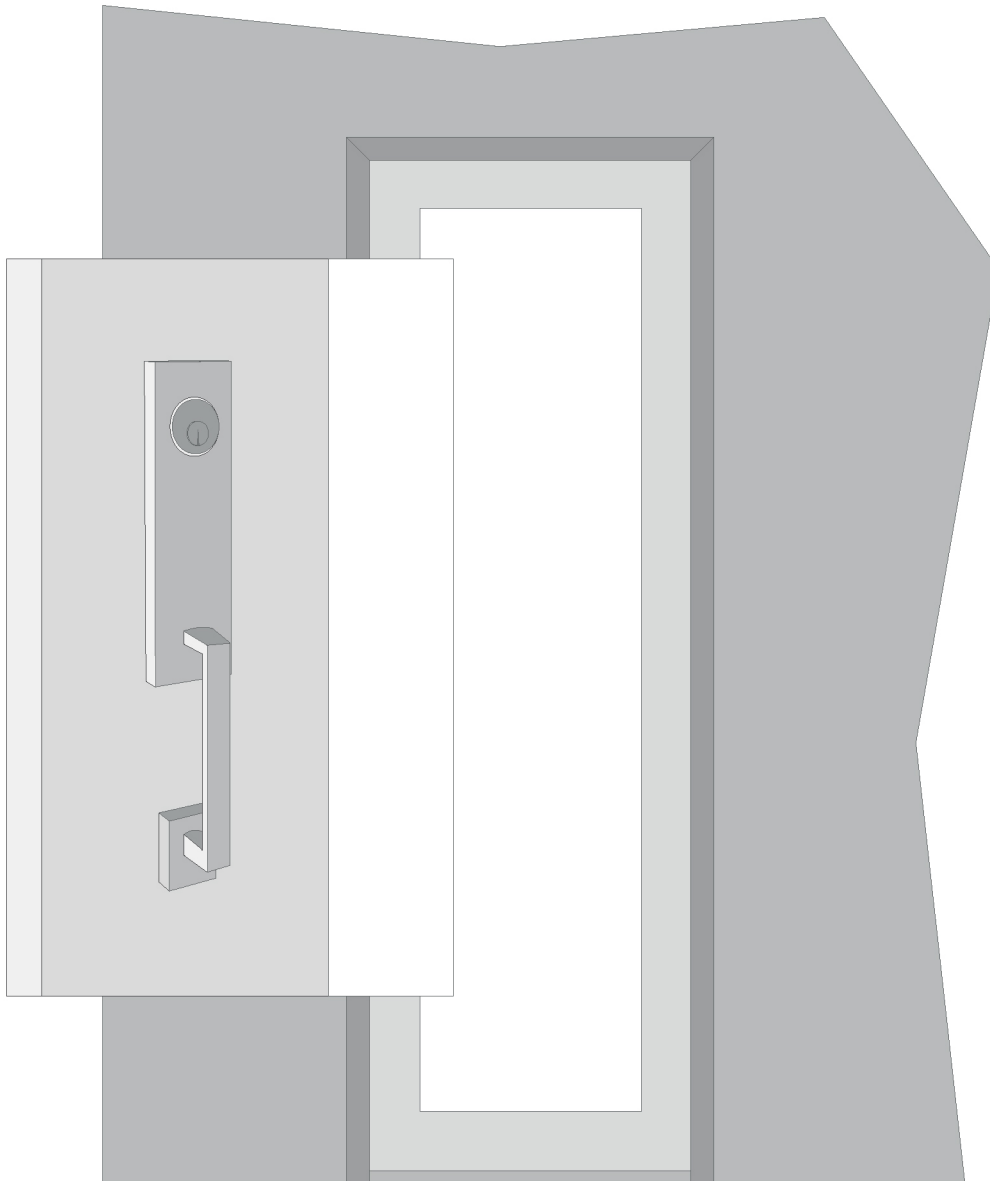
Fix Anchor bolts to the wall opening: 1/2" diameter, 5" length (pic. 15).



(pic. 15)

STEP 14.

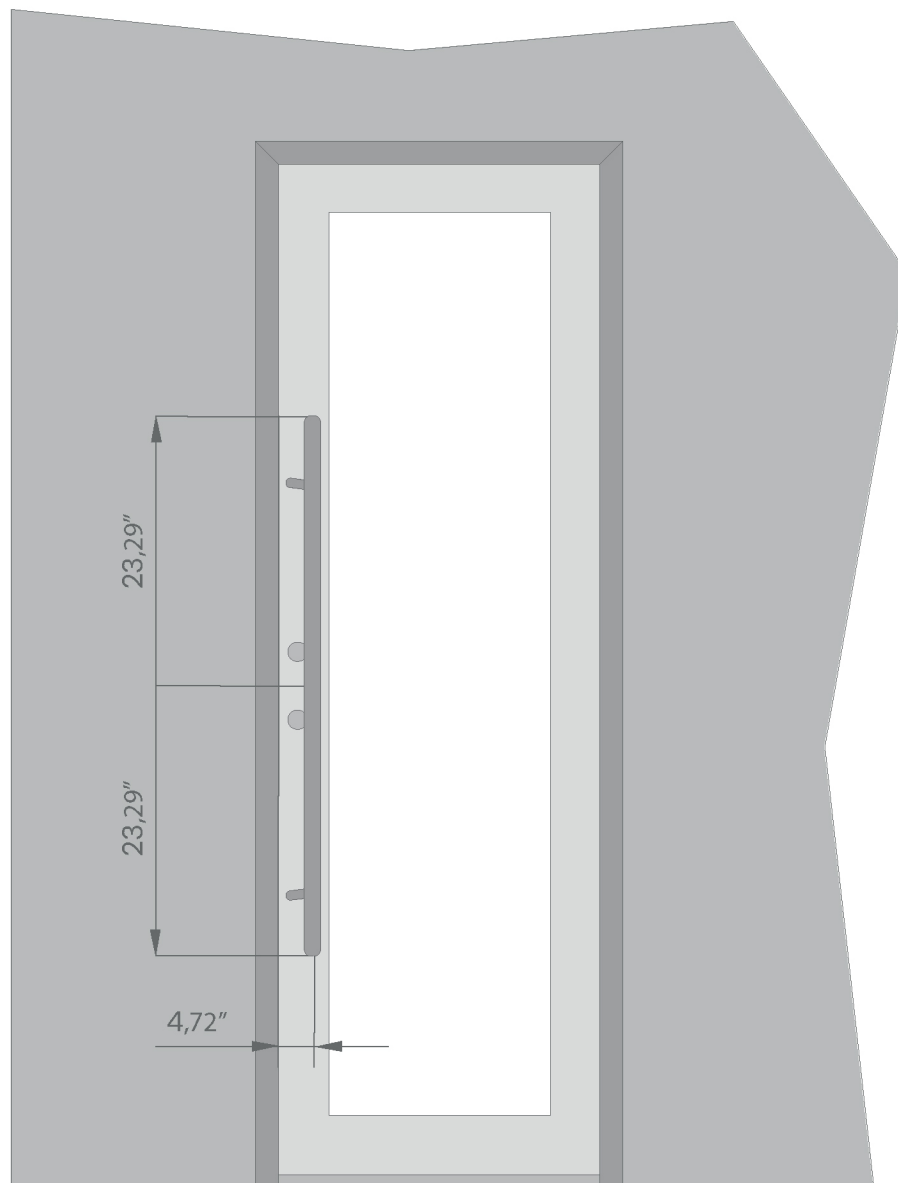
For door handle installation and lock drilling, please refer to the lock manufacturer's instructions. (pic. 16).



(pic. 16)

STEP 15.

When installing the handle, follow the specified distance shown in (pic. 17). for correct placement.



(pic. 17)