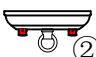
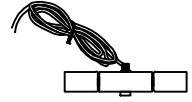

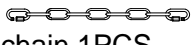
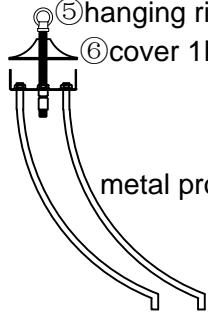

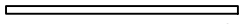
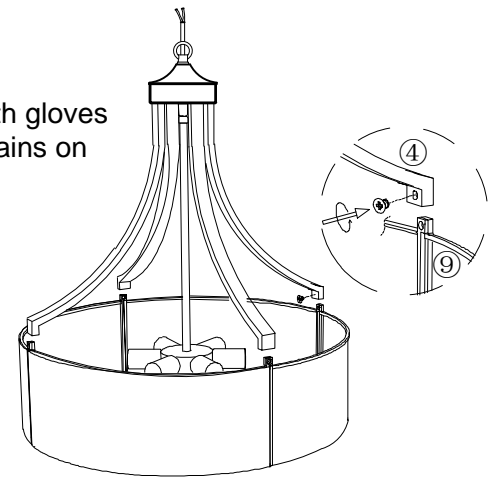


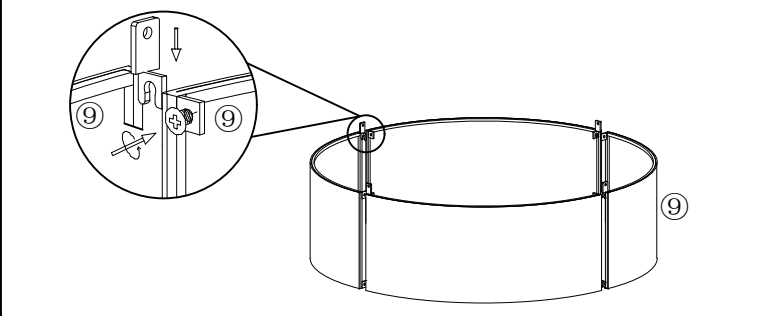
① canopy 1PCS 	⑧  light fixture 1PCS
② cap nut 2PCS 	③ chain 1PCS 
④  metal profile 1PCS	⑤ hanging ring 1PCS ⑥ cover 1PCS ⑨ split fabric lampshade 4PCS 
⑦ hanging tube 1PCS 	X 1PCS X 3PCS X 3PCS X 3PCS X 3PCS



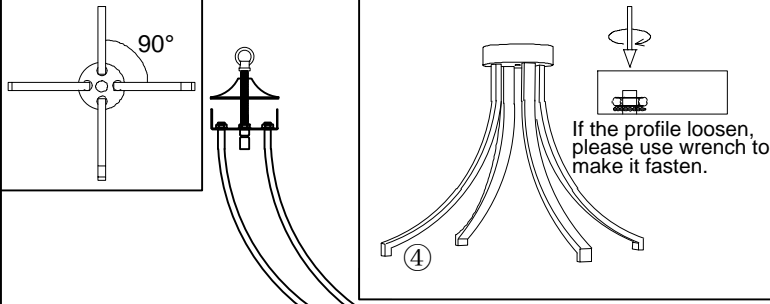
Please operate with gloves to avoid leaving stains on the lampshade.



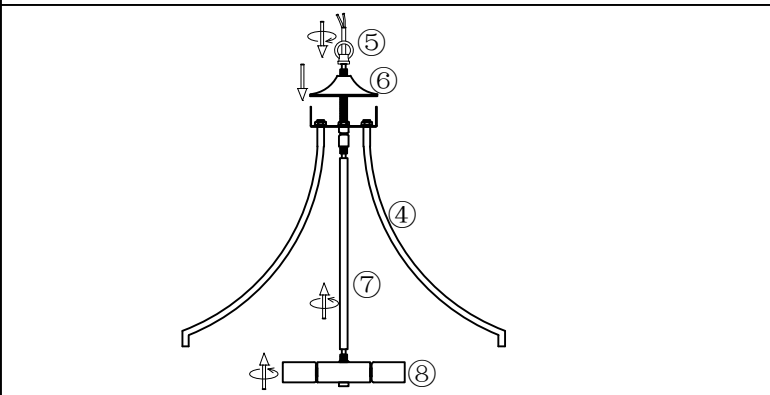
4. Loosen and remove out the screw from fabric lampshade ⑨, install the lampshade to the fixture with screw.



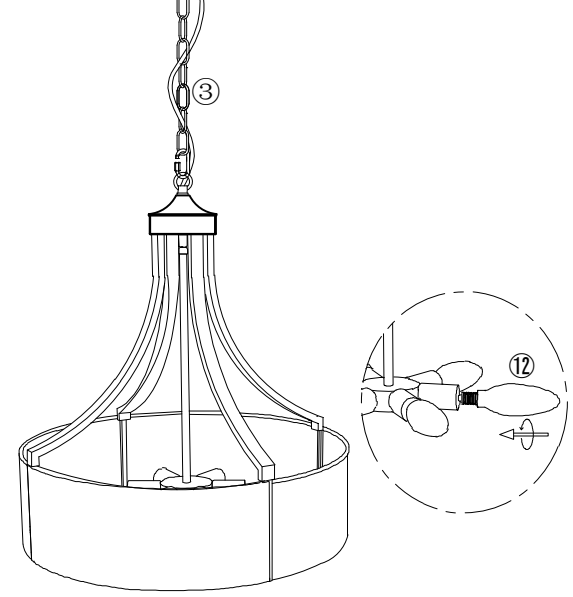
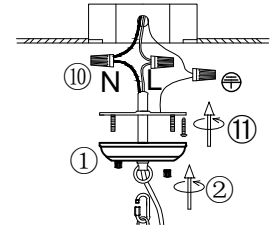
1. Combine the split fabric lampshade ⑨ to be a complete lampshade with screw.



2. Adjust the profile ④ to suitable position like picture shown.



3. Let the wire of the fixture ⑧ go through the tube ⑦ and middle box of metal profile group ④, rotate to install all parts together, let the wire go through the cover ⑥ and ring ⑤, rotate ring ⑤ to close the cover to the fixture.



5. Hang the fixture to the canopy ① with chain ③, let the wire go through the chain ③ and canopy ①.  
6. Install the bracket to the ceiling junction box with screw ⑪.  
7. Connect the wire to the house line with cap connector ⑩.  
8. Install the fixture to the bracket with cap nut ②.  
9. Install the bulb ⑫.

ZJD00206-6

Please read carefully before installation!!!

Note : Please make sure that the electricity is powered off during installation !

Only a professional electrician should install this kind of product !