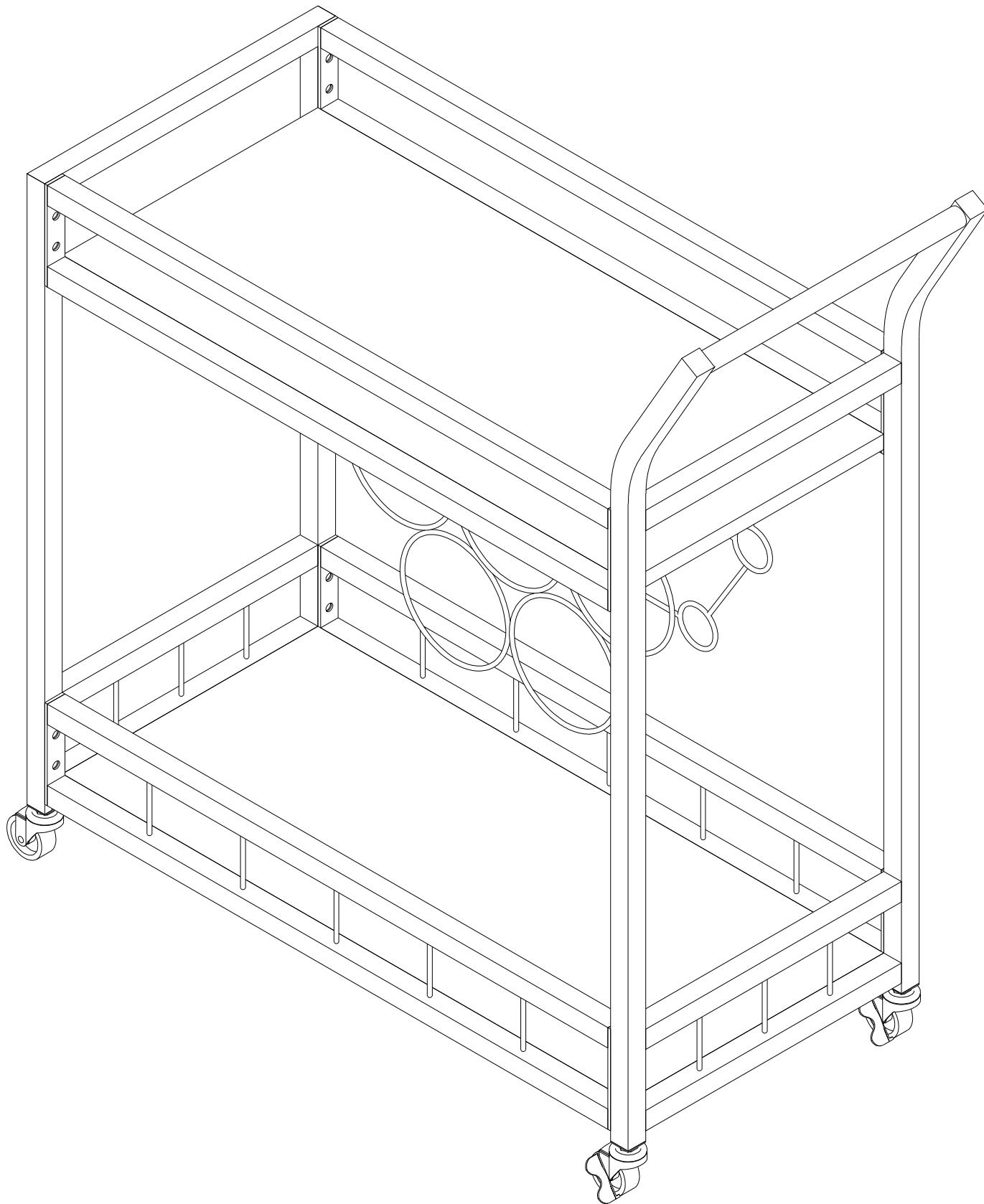




# ASSEMBLY INSTRUCTIONS

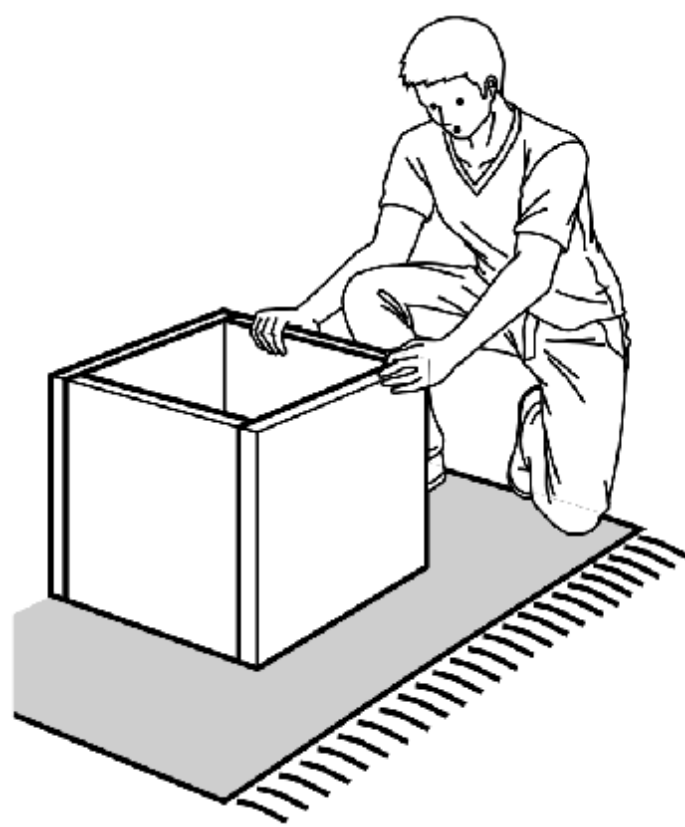


# WARNING!

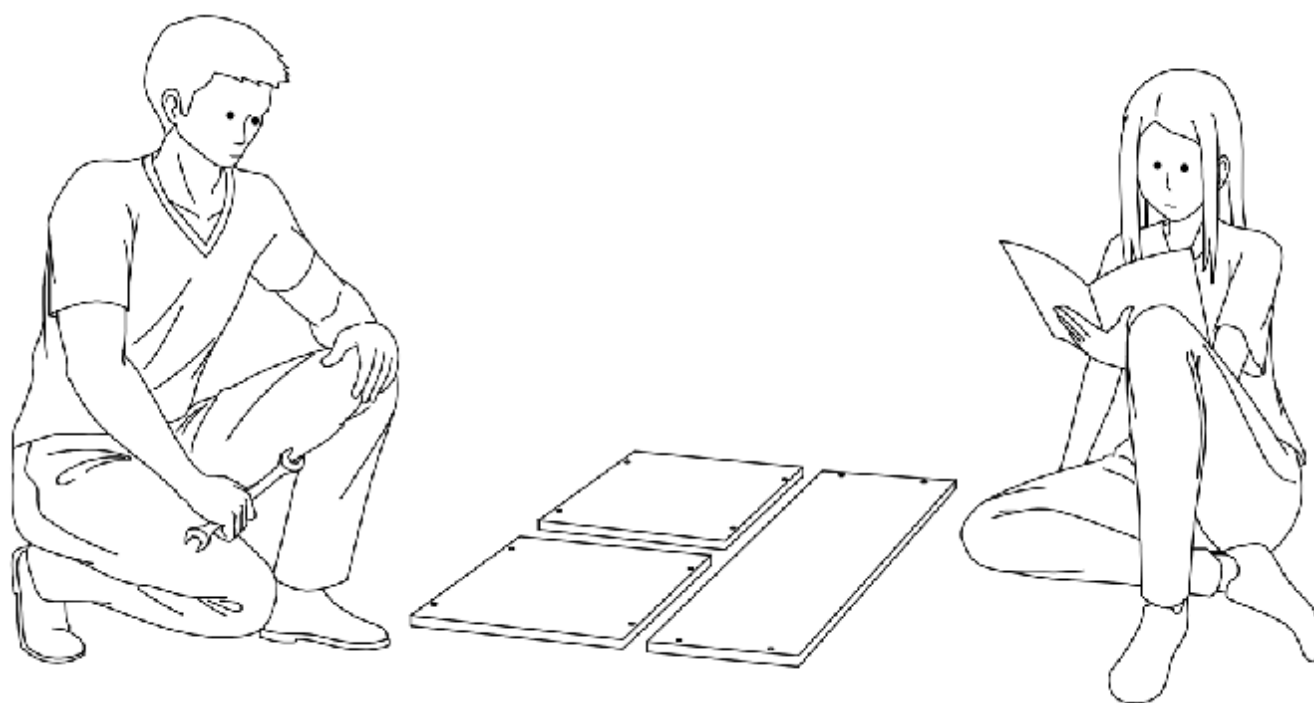


Estimated Time for Assembly

**20 mins**



Assemble the furniture on empty carton, carpet, or rug to prevent scratches or damage.

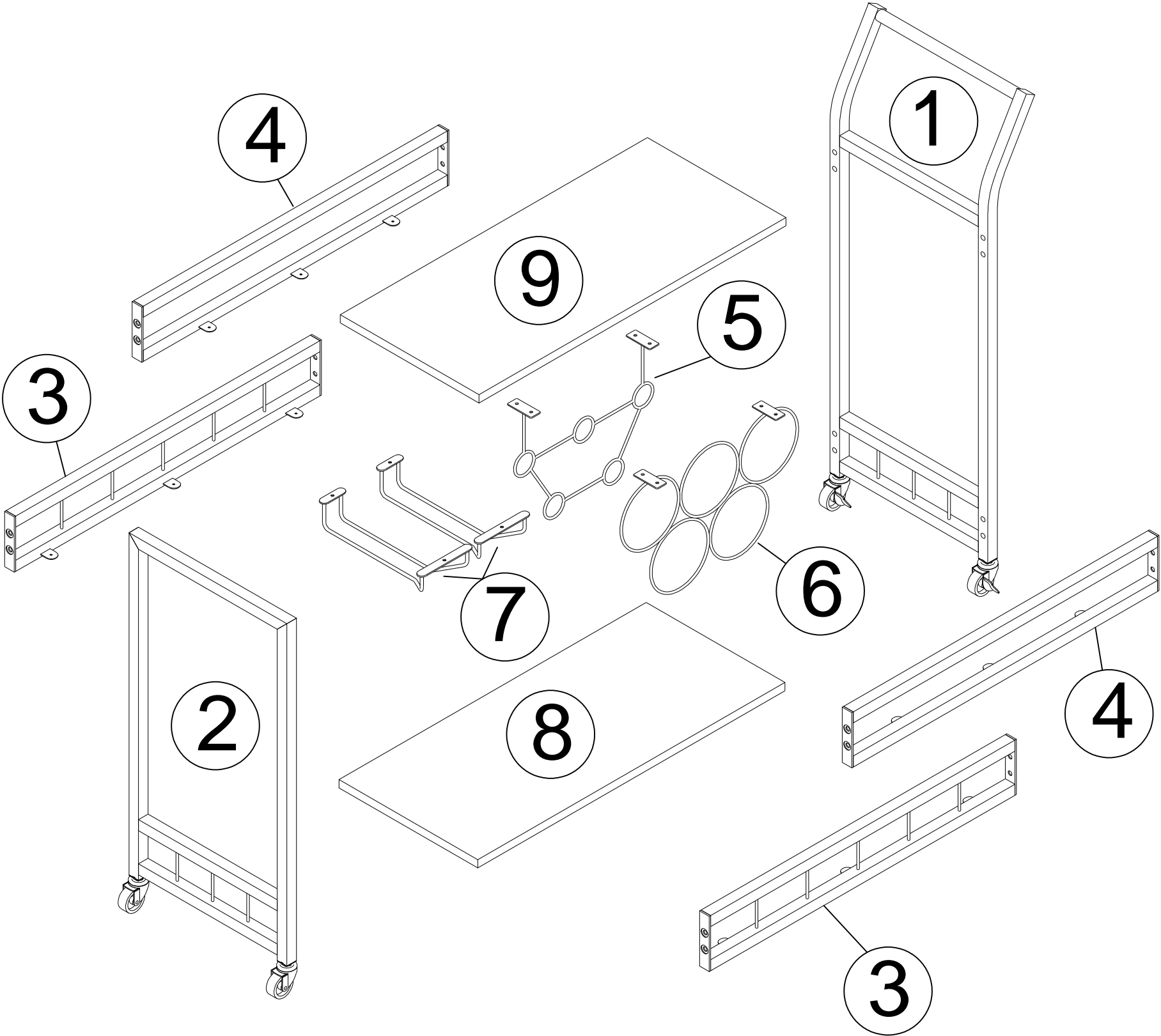


This furniture requires 2 people to assemble.

Make sure no parts are missing or damaged before assemble.

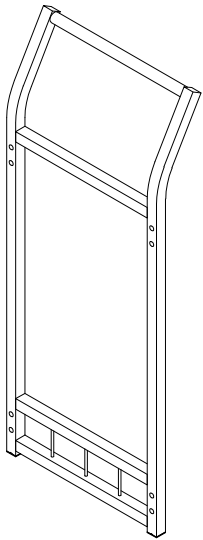
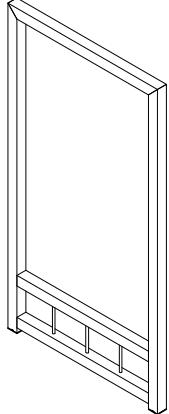
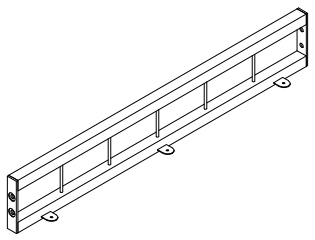
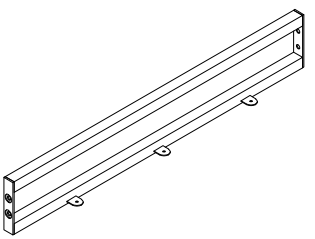
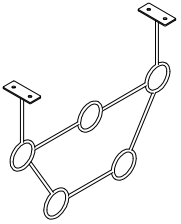
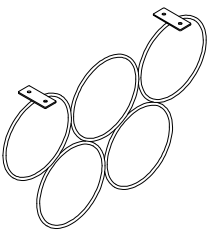
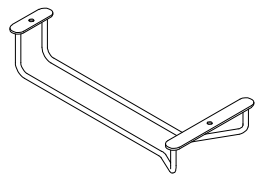
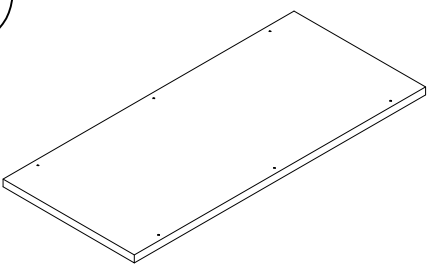
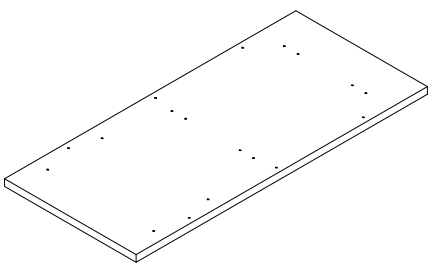
# Board Identification

Not actual size





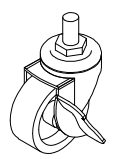
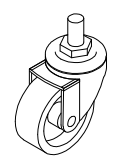

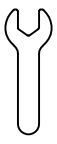
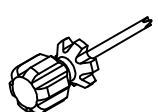
# Board Identification

Not actual size

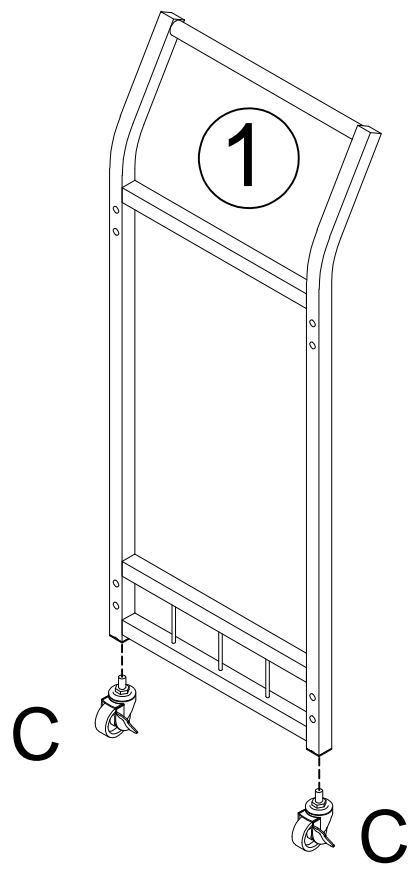
<p>①</p>  <p>1PCS</p>	<p>②</p>  <p>1PCS</p>	<p>③</p>  <p>2PCS</p>
<p>④</p>  <p>2PCS</p>	<p>⑤</p>  <p>1PCS</p>	<p>⑥</p>  <p>1PCS</p>
<p>⑦</p>  <p>2PCS</p>	<p>⑧</p>  <p>1PCS</p>	<p>⑨</p>  <p>1PCS</p>

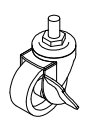
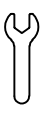
# Hardware List

Not actual size

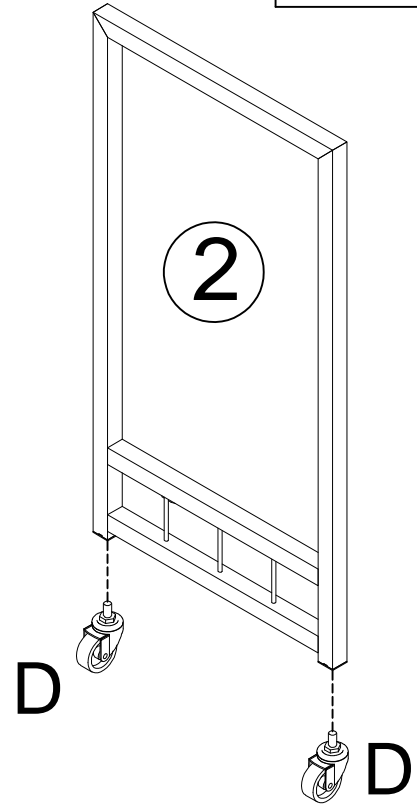
<p>A M6x12</p>  <p>16+1PCS</p>	<p>B M3.5x14</p>  <p>24+1PCS</p>	<p>C</p>  <p>2PCS</p>	<p>D</p>  <p>2PCS</p>	<p>E M6</p>  <p>1PCS</p>	<p>F M8</p>  <p>1PCS</p>	<p>G</p>  <p>1PCS</p>
---	---	--	---	---	---	--

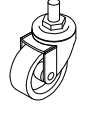

# STEP 1



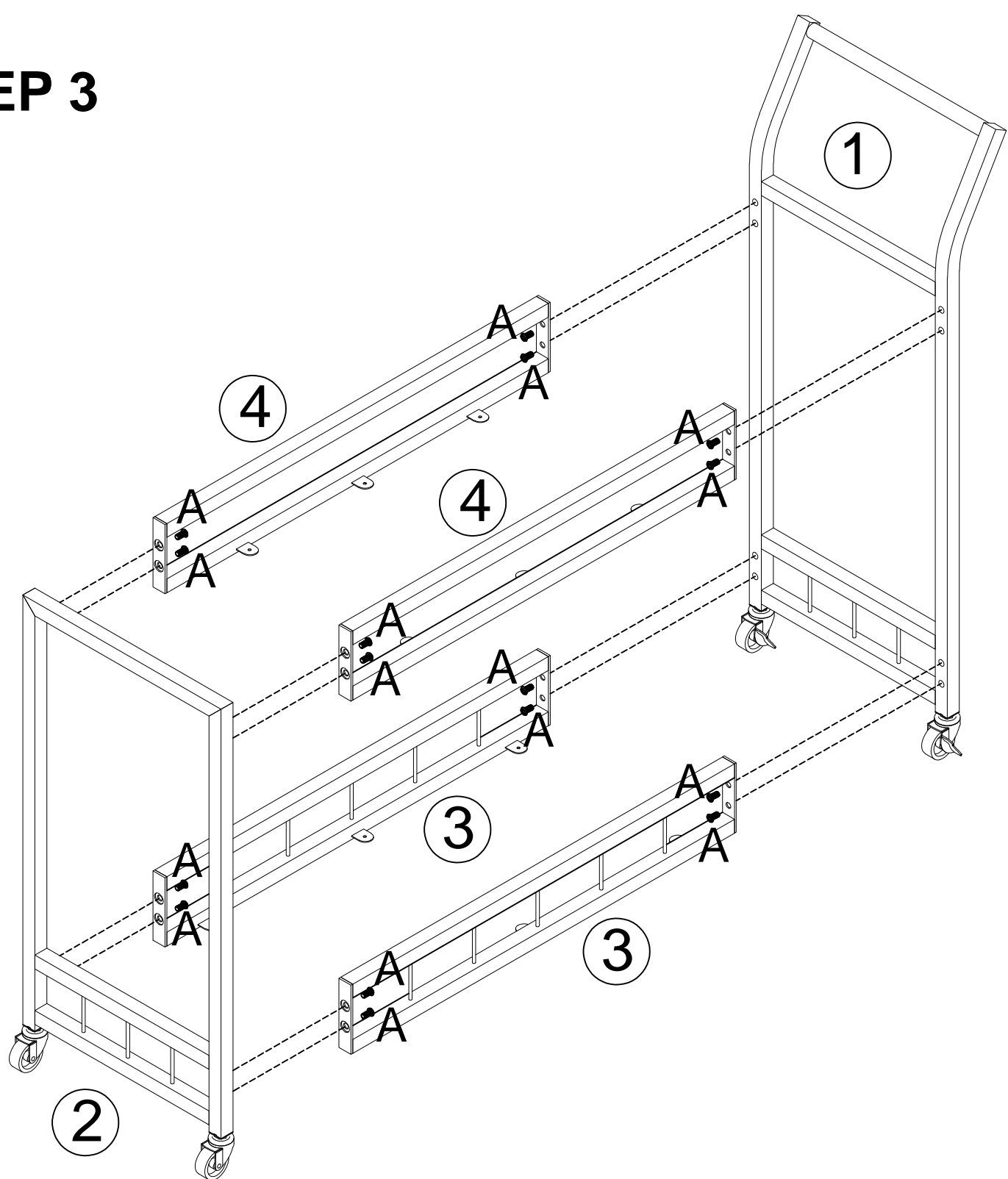
<b>C</b>	<b>F M8</b>
	
2PCS	1PCS

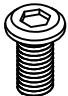
# STEP 2



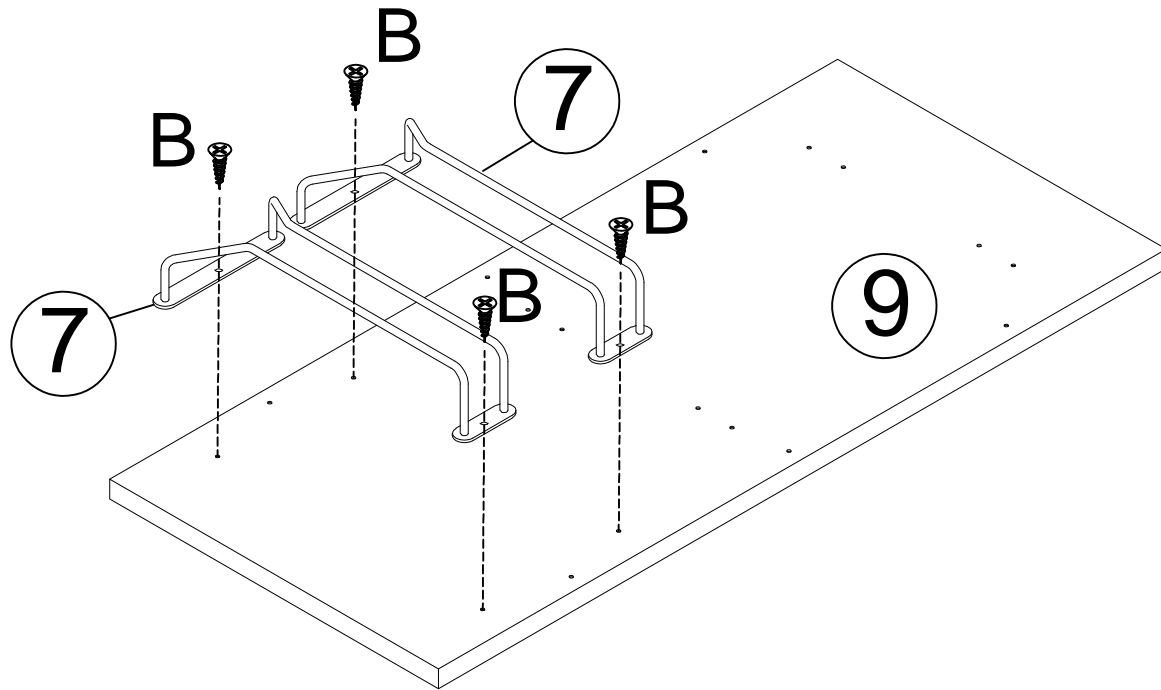
<b>D</b>	<b>F M8</b>
	
2PCS	

# STEP 3



<b>A</b>	<b>M6x12</b>
	
16PCS	

# STEP 4

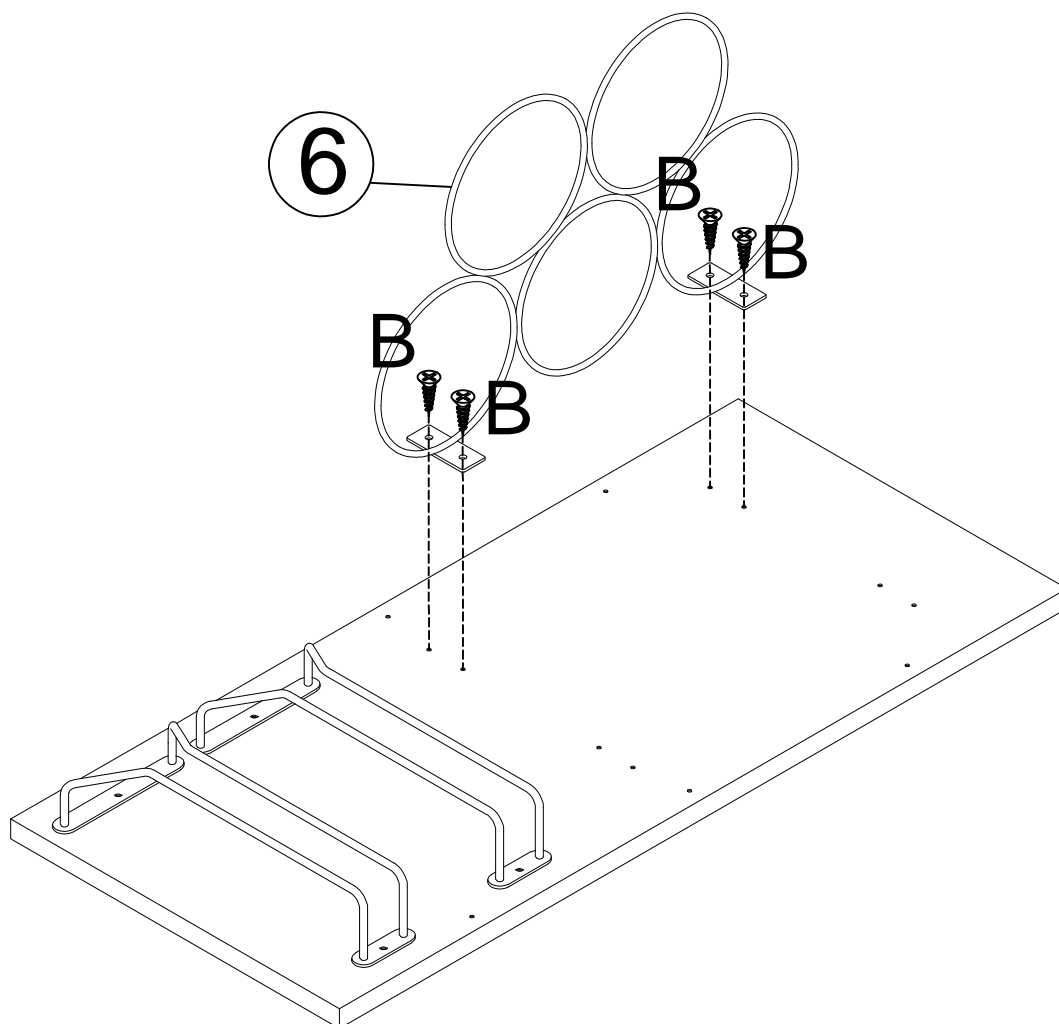


**B** M3.5x14



4PCS

# STEP 5

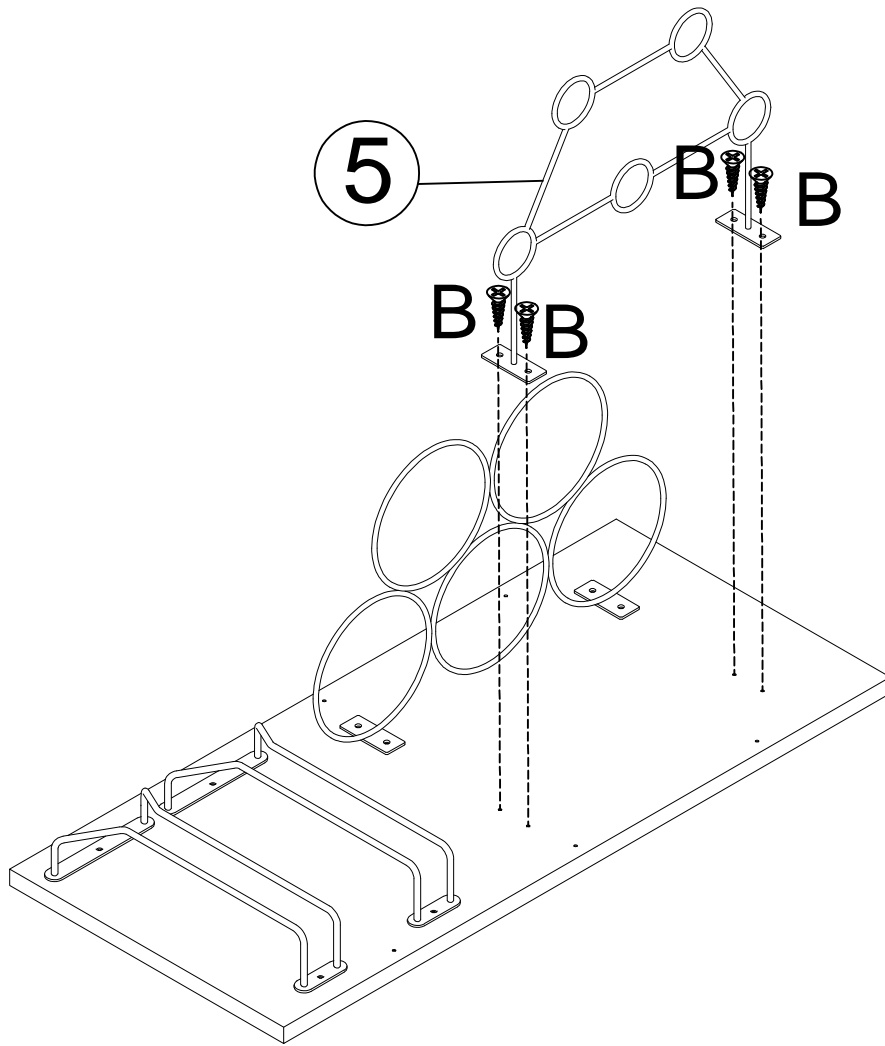


**B** M3.5x14



4PCS

# STEP 6

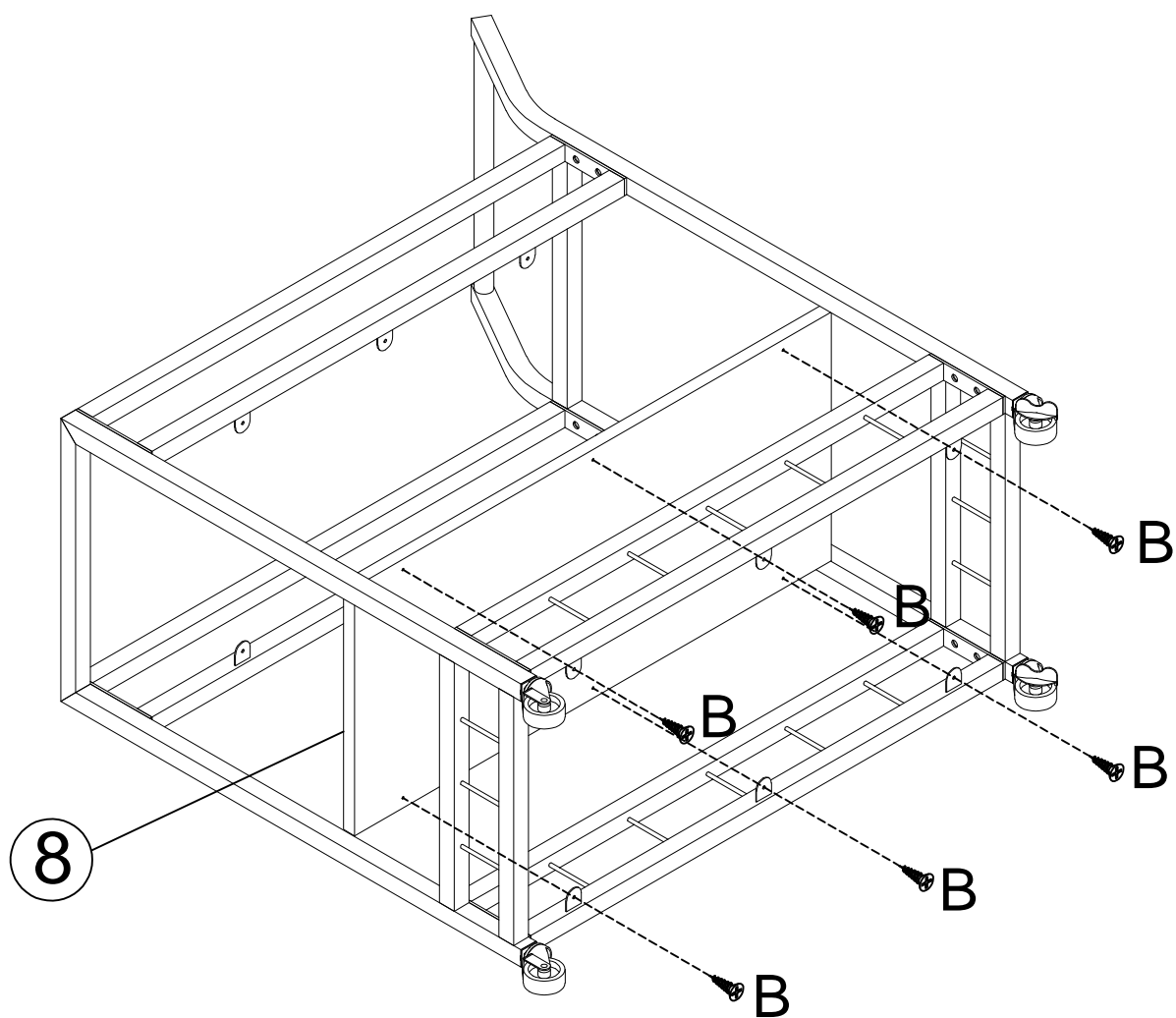


**B** M3.5x14



4PCS

# STEP 7



**B** M3.5x14



6PCS

# STEP 8

**B** M3.5x14



6PCS

