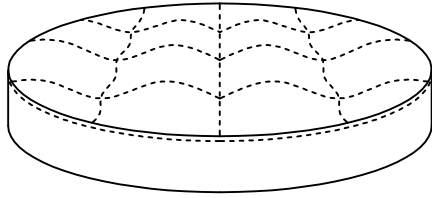
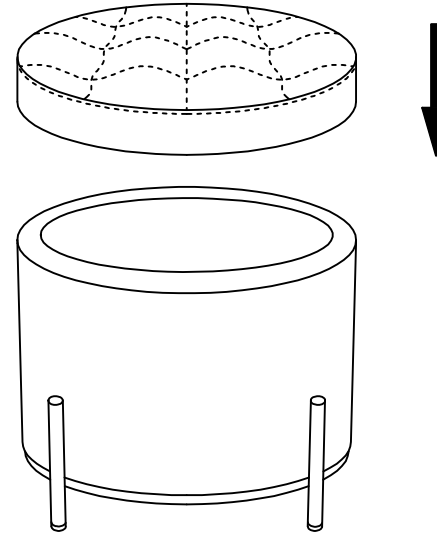


Assembly Instructions

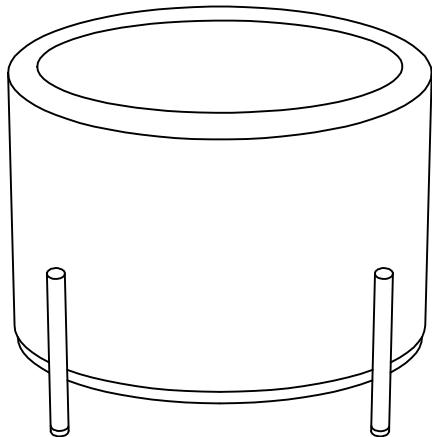
A*1



① Take the seat cushion A off from bottom of the stool then place it on top of the base B.



B*1



② Assembly completed.

