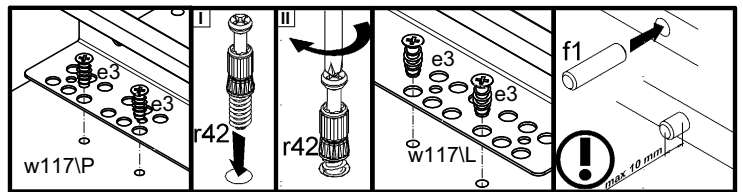
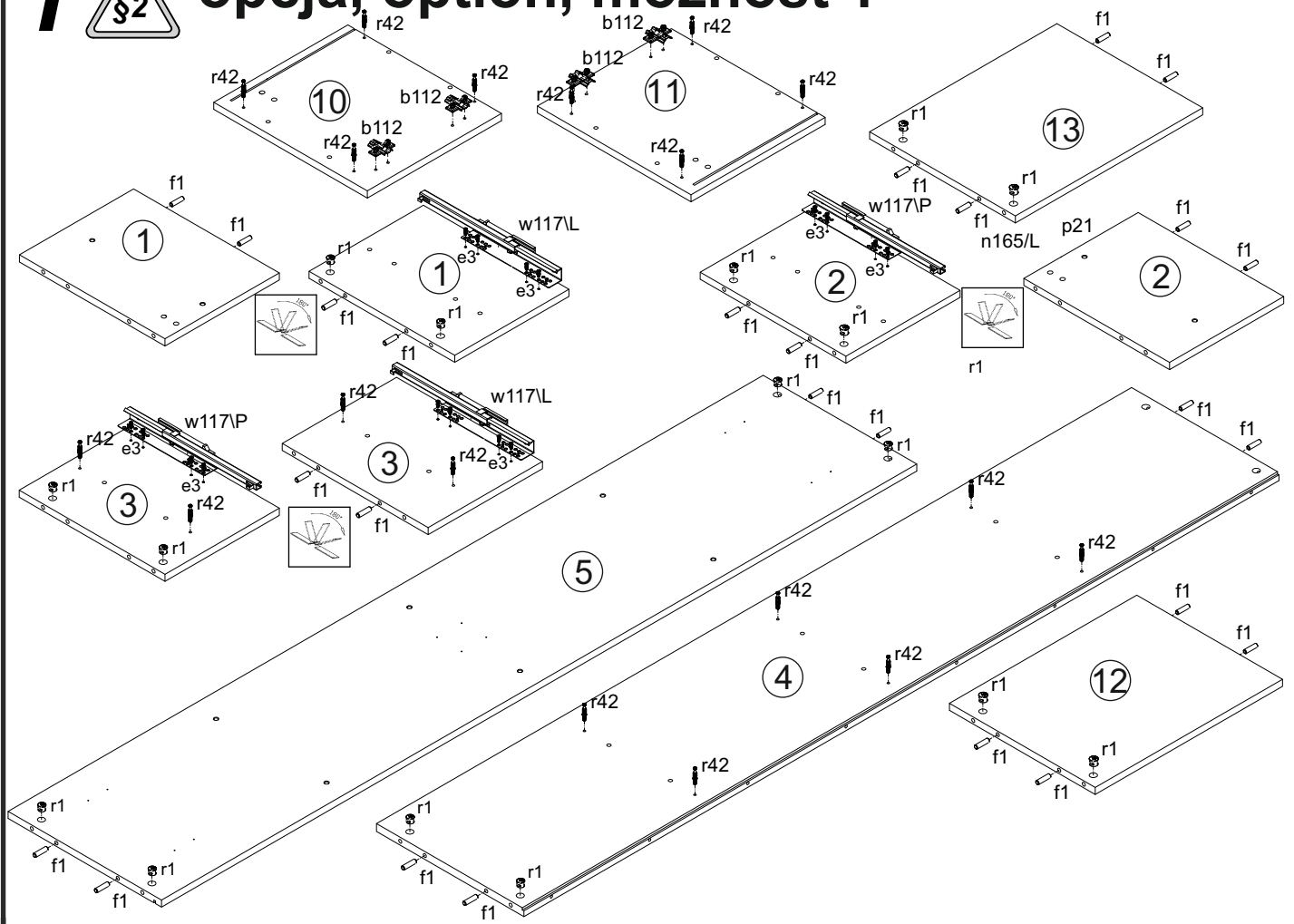
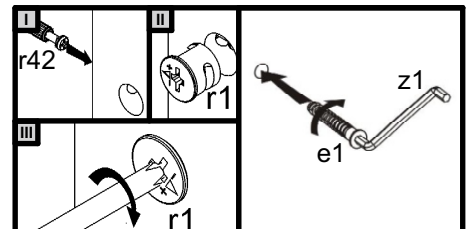
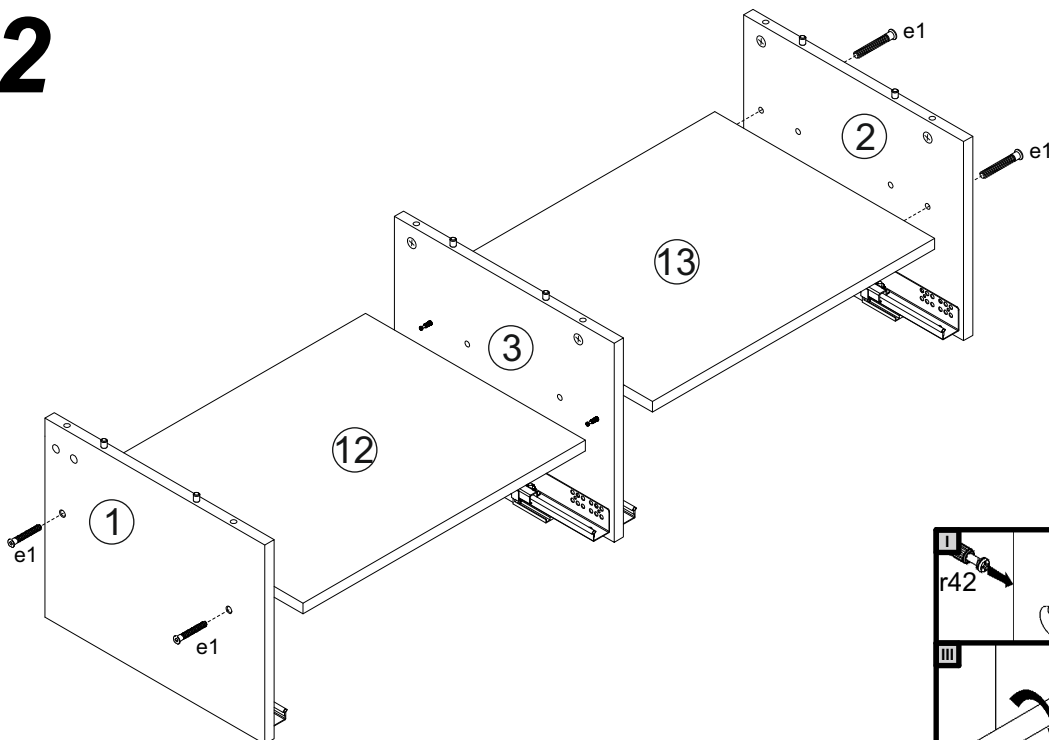


4x  a204	4x  b112	8x  φ3,5x15 mm p51	6x  20x13x3,5/1 n108	2x  350 mm w117/P	10x  φ2,9x16 mm p55	16x  φ6x13 mm e3	8x  φ5x50 mm e32
2x  n165/L	2x  n165/P	8x  φ4x30 mm p21	2x  350 mm w117/L	22x  φ3,5x16 mm p38	30x  l2	4x  φ6x60 mm p75	2x  φ5x60 mm p17
26x  φ15x12 mm #16 r1	26x  r42	28x  φ8x30 mm f1	18x  φ7x50 mm e1	4x  M4x25 mm j53	8x  l1	4x  s1	1x  z1
6x  φ10x50 mm f35	16x  φ16 s2	2x  n26/1					

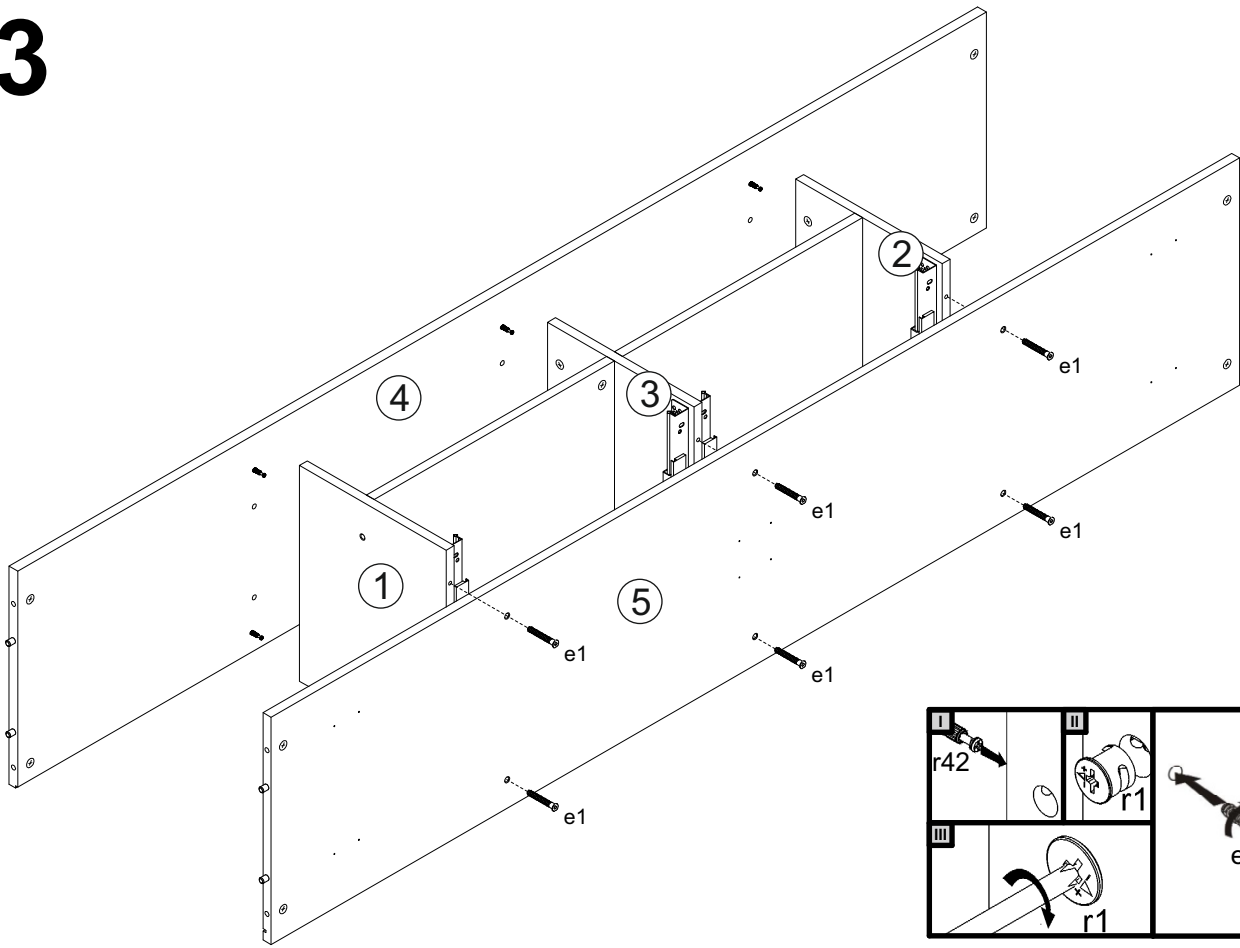
# 1 opcja, option, možnost 1



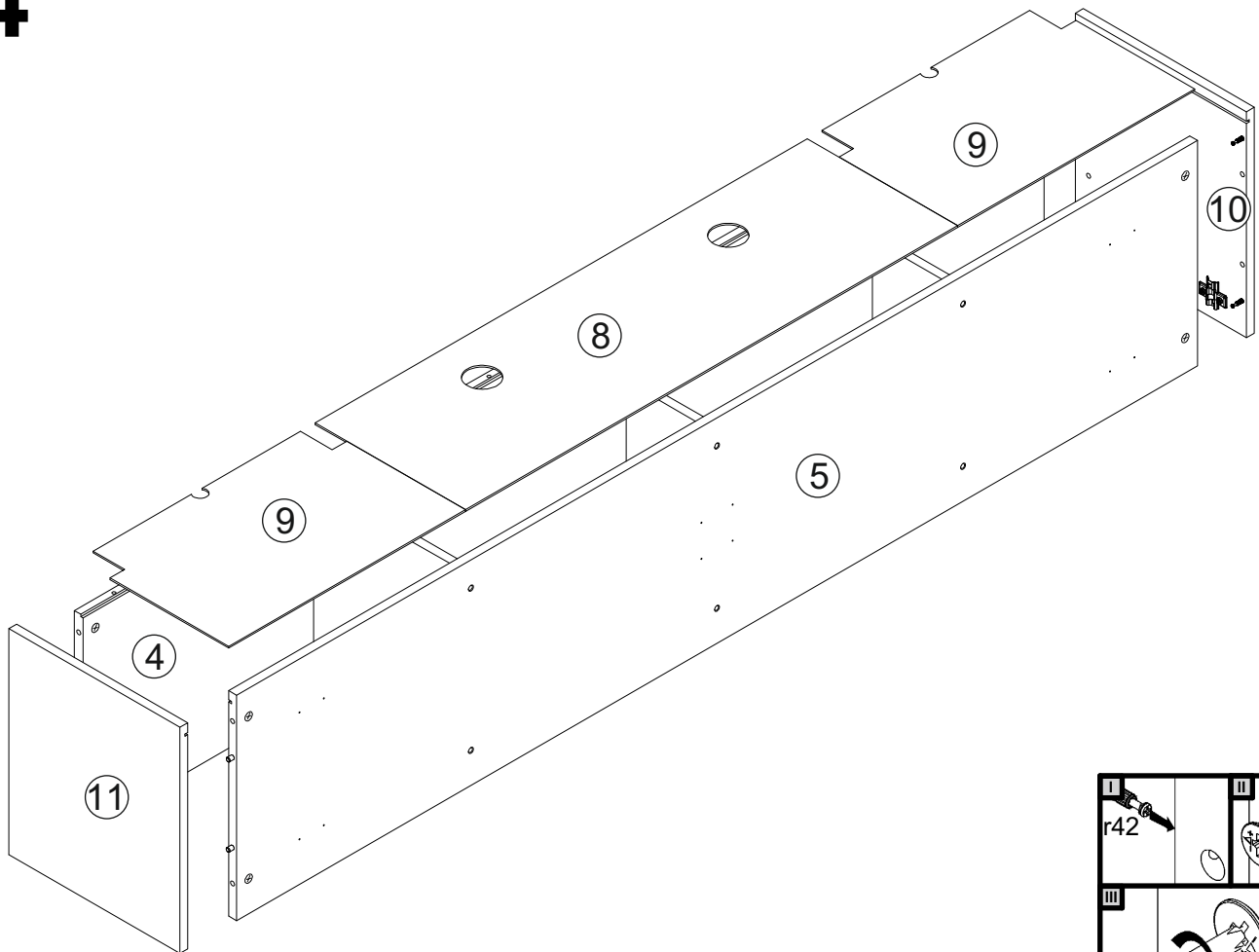
# 2



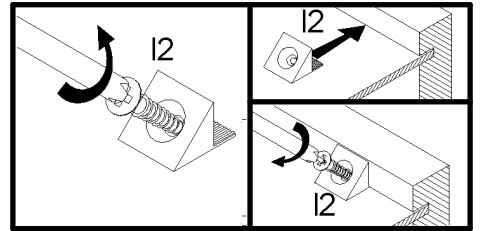
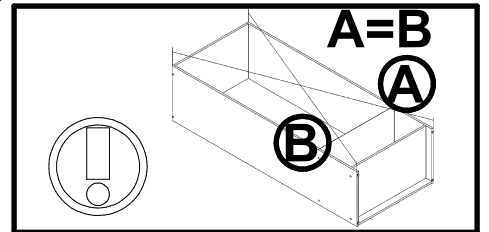
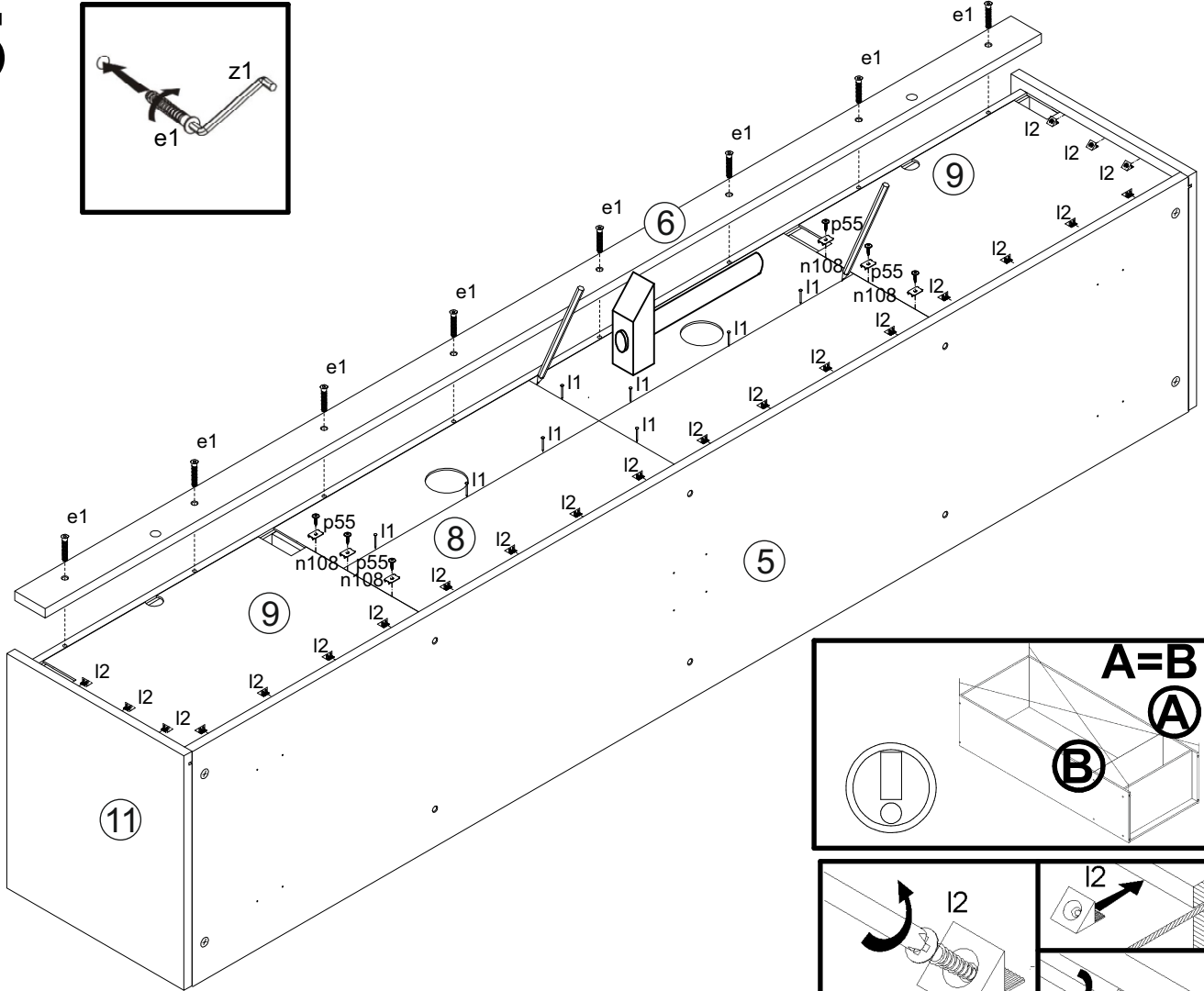
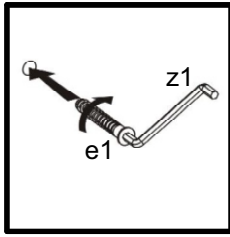
# 3



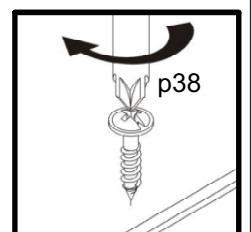
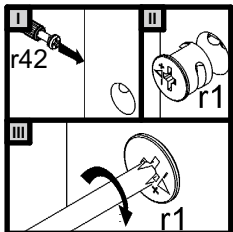
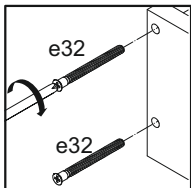
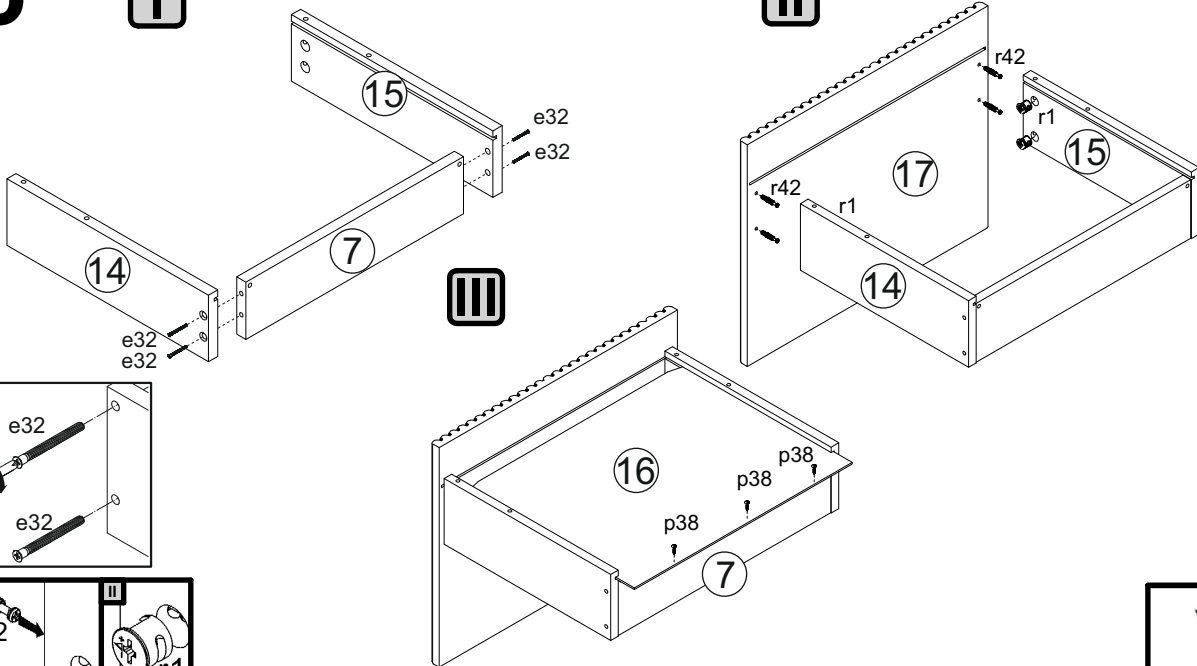
# 4



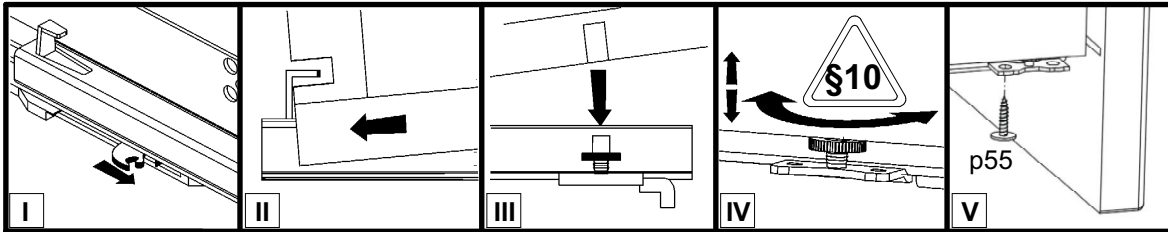
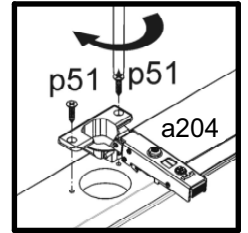
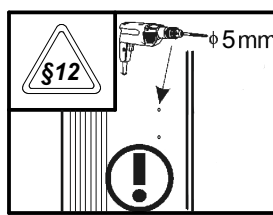
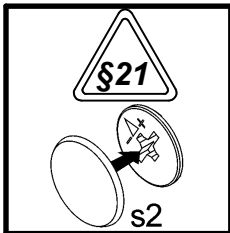
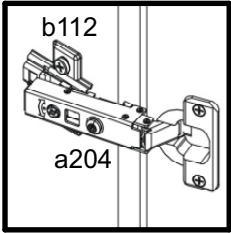
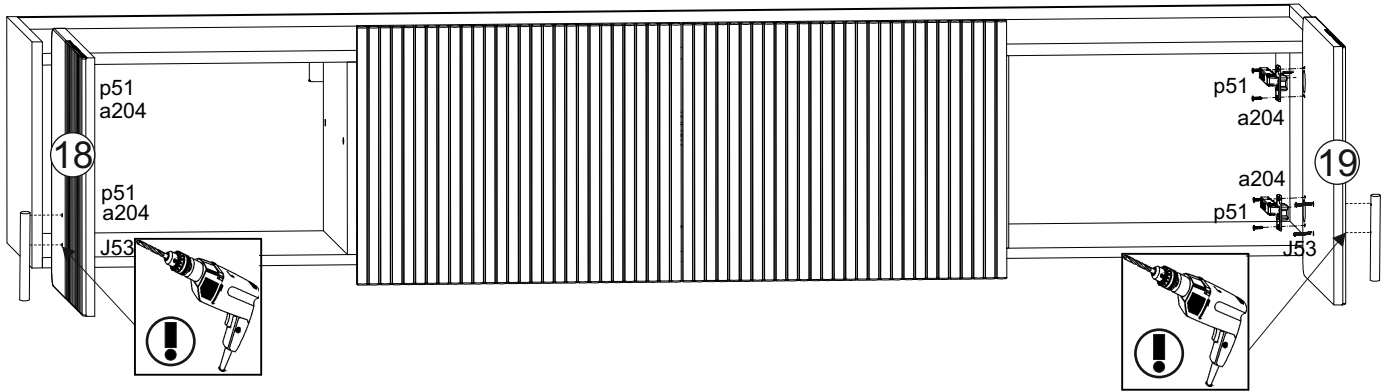
# 5



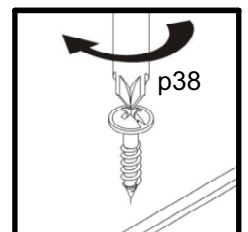
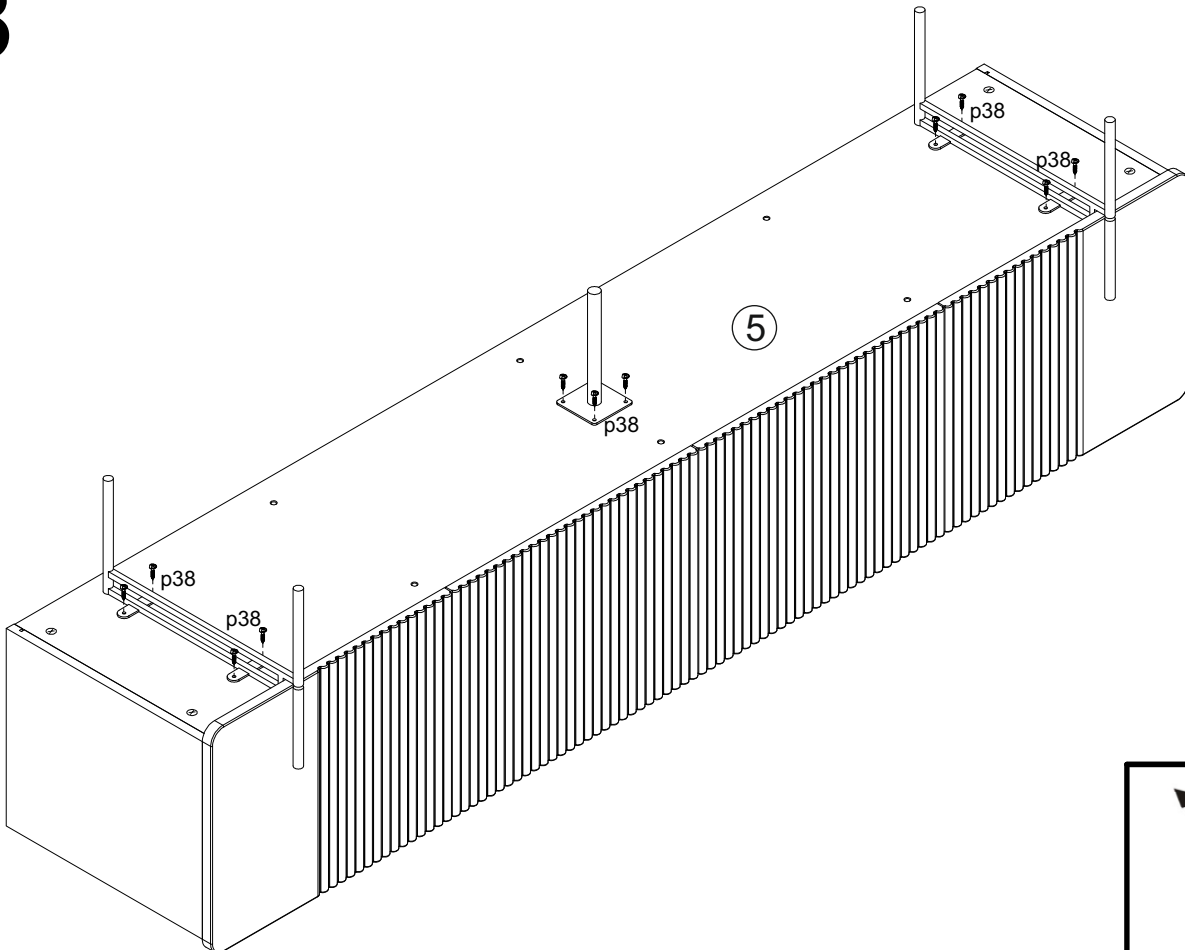
# 6



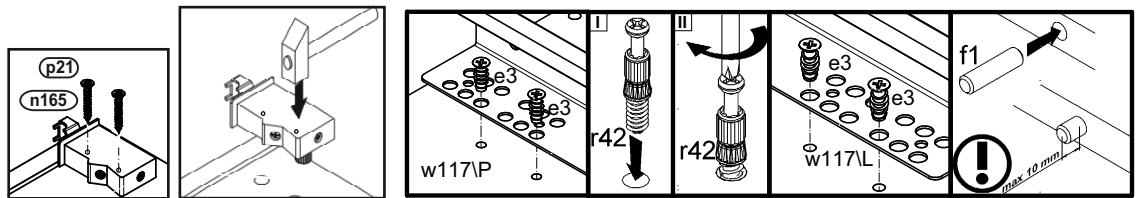
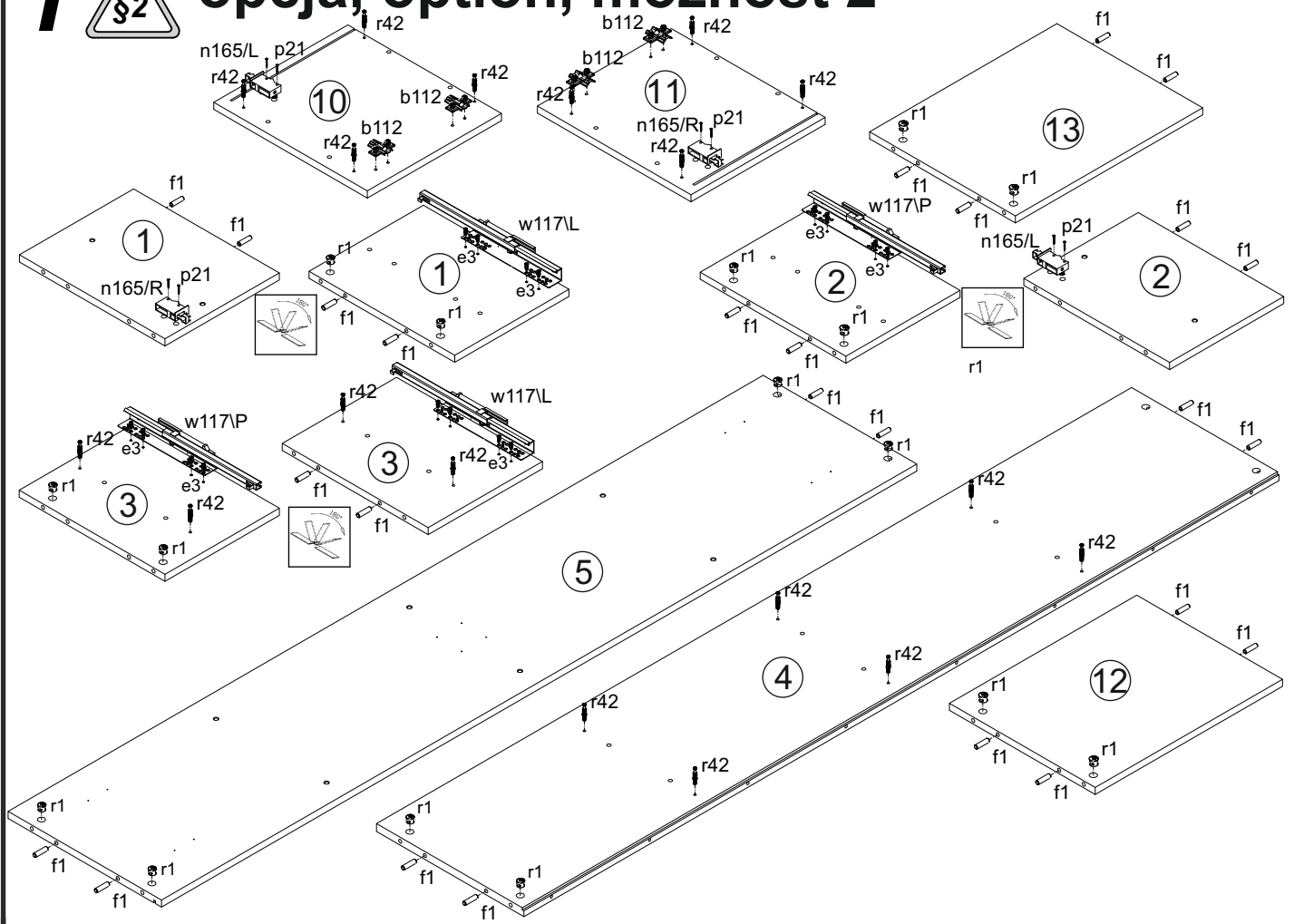
# 7



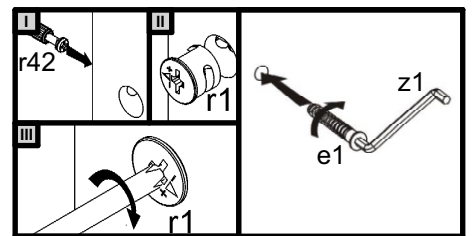
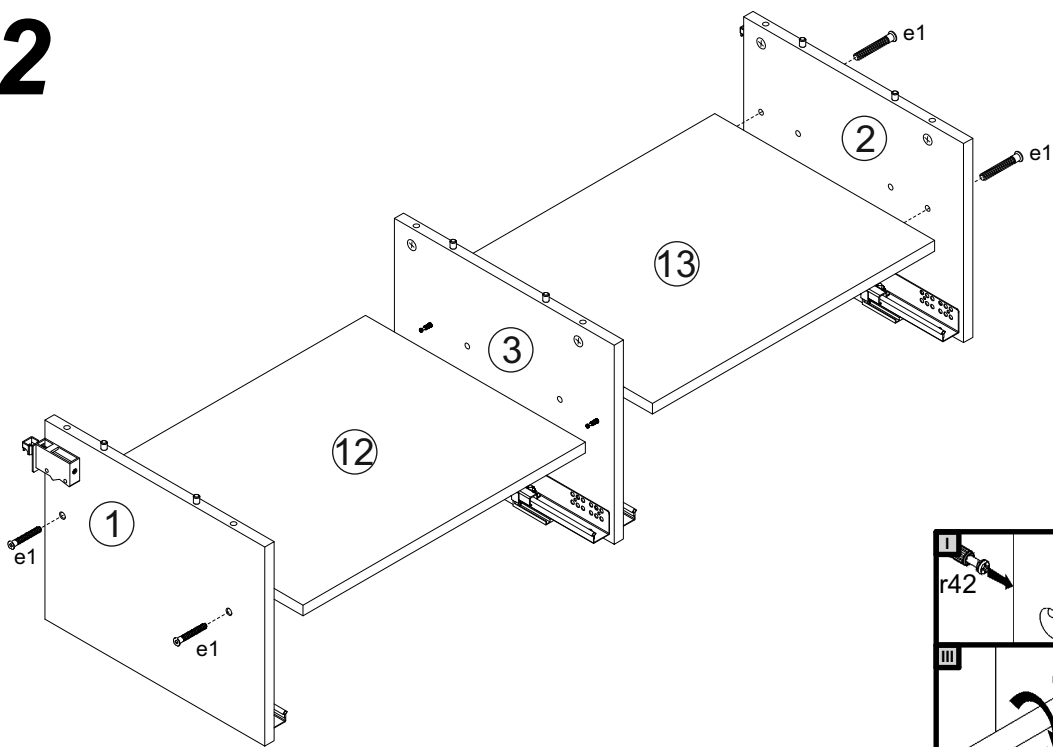
# 8



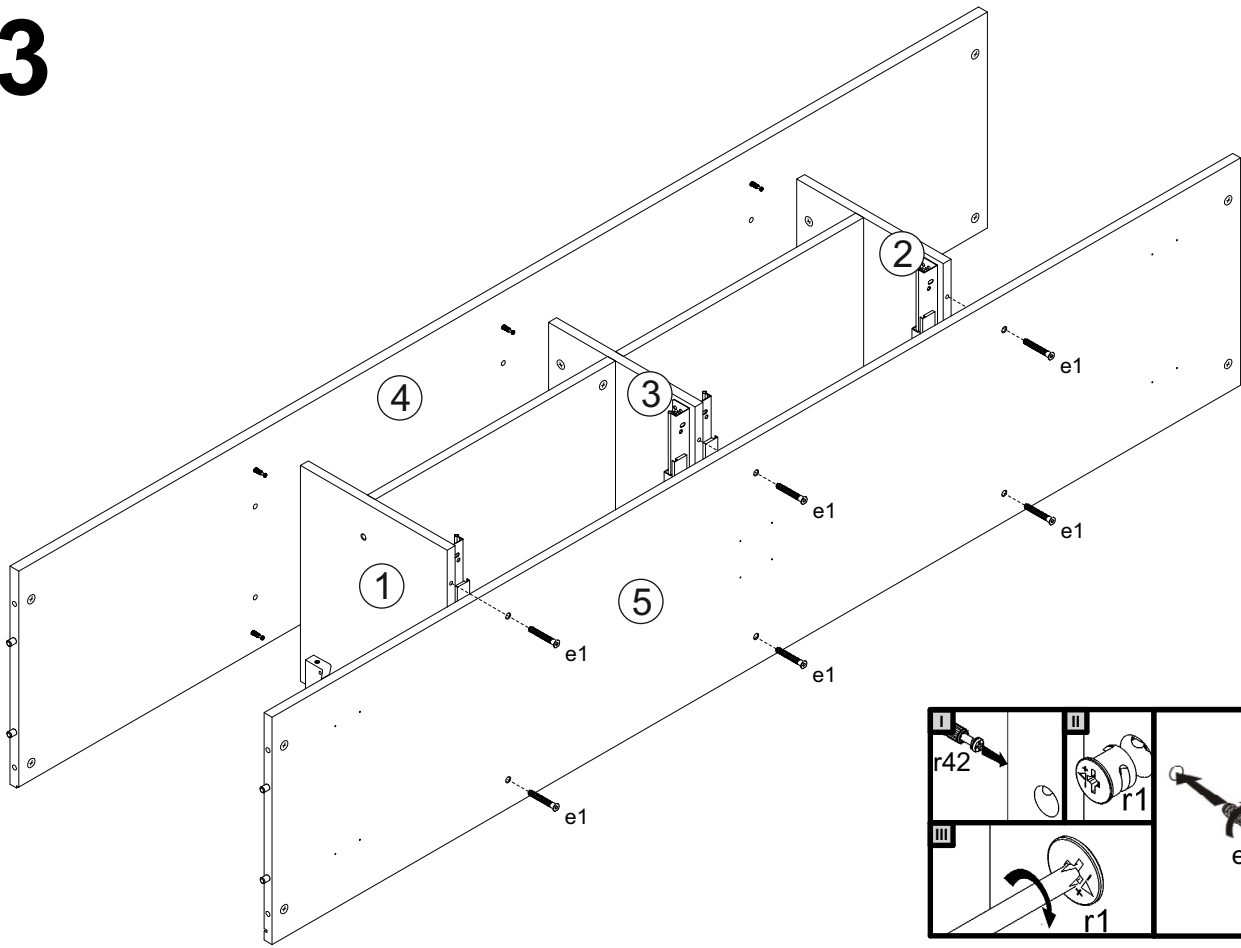
# 1 opcja, option, možnost 2



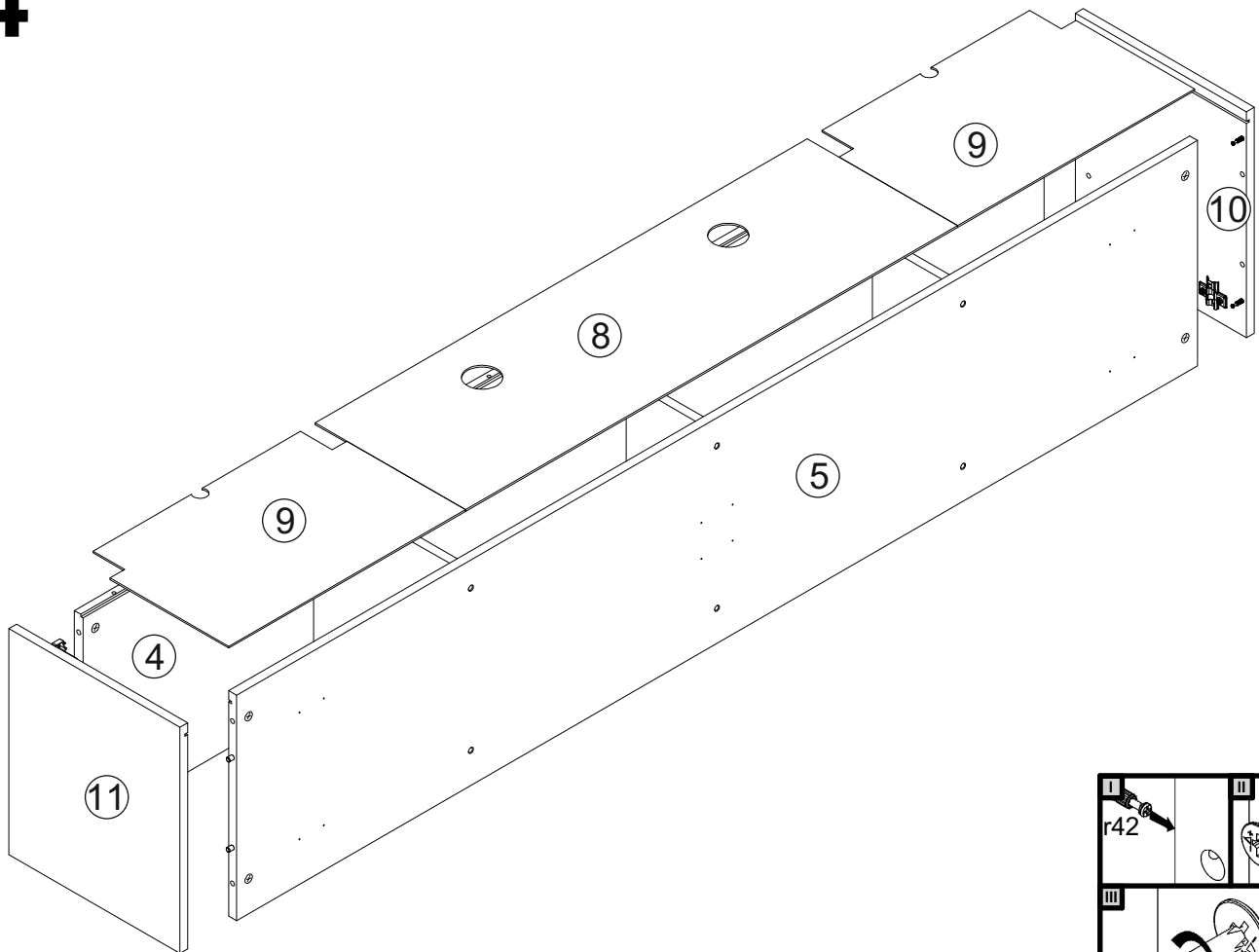
# 2



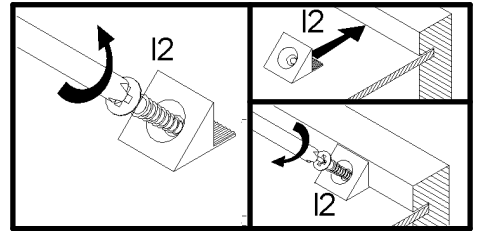
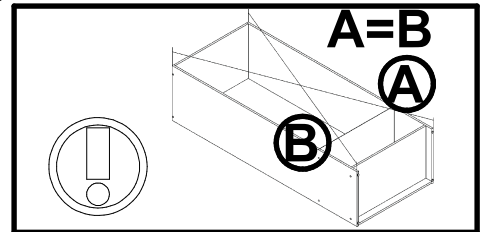
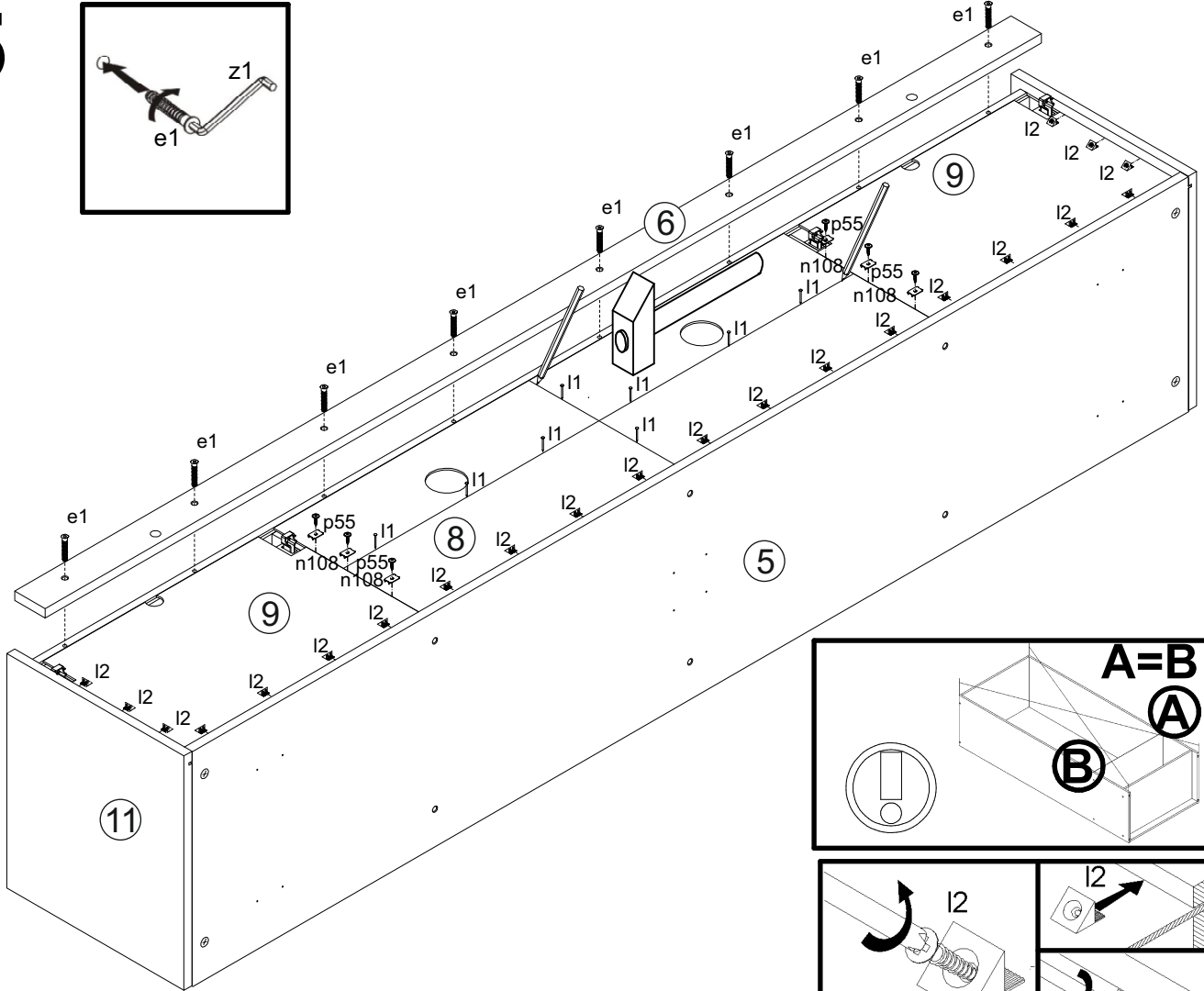
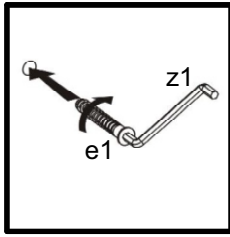
# 3



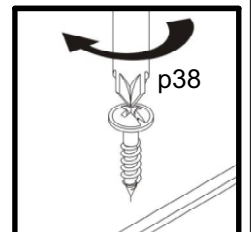
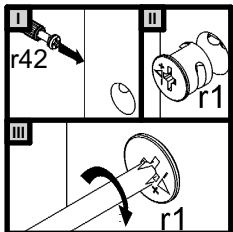
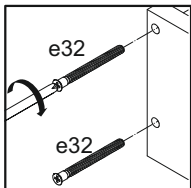
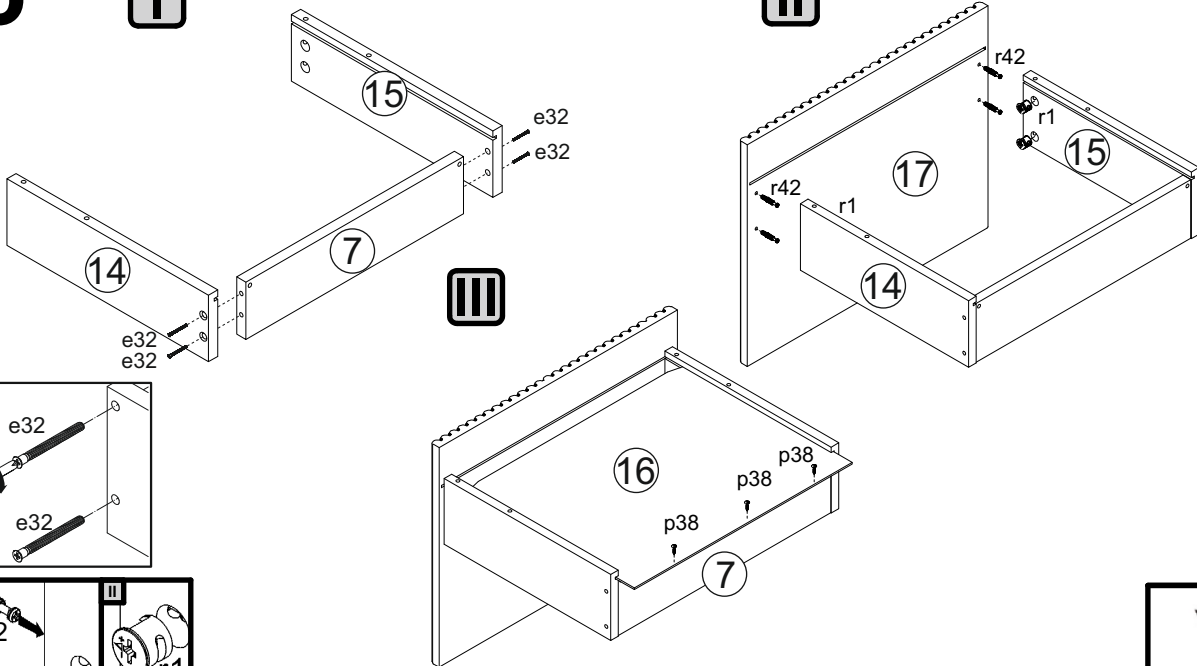
# 4



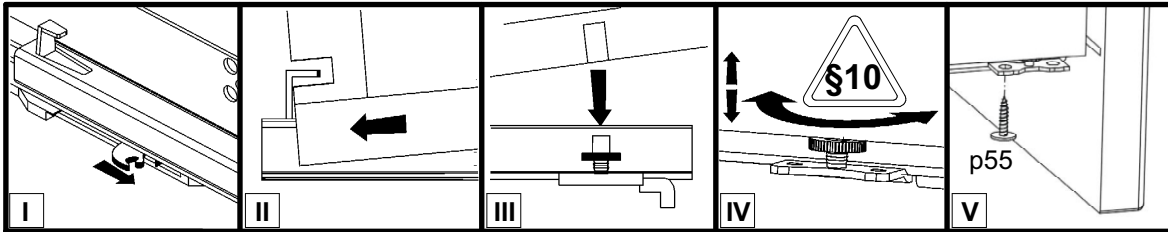
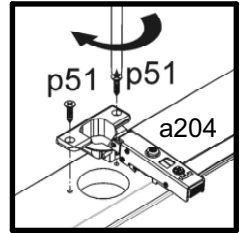
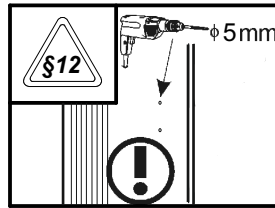
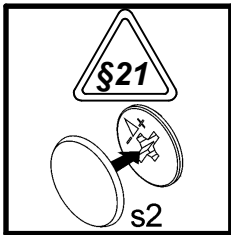
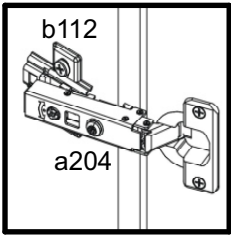
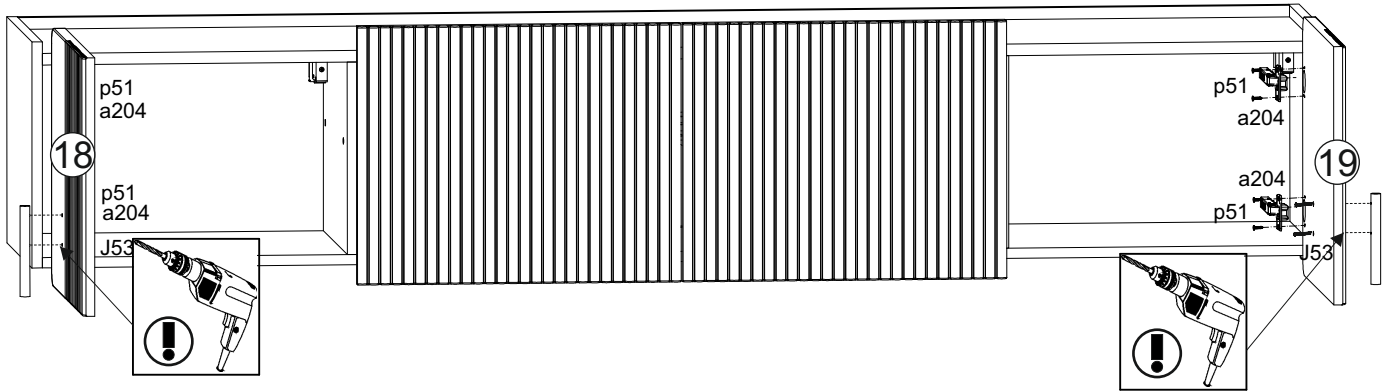
# 5



# 6



# 7



# 8

