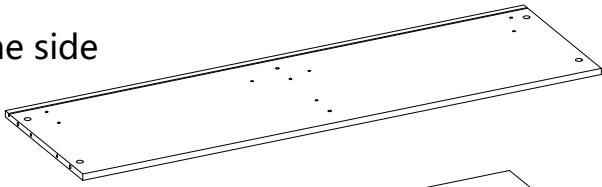


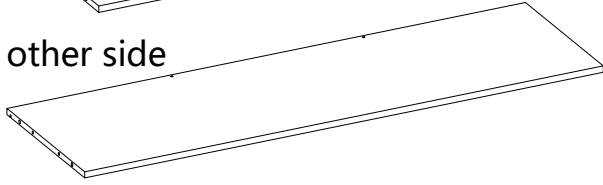
<b>A</b>  A1 A2 74PCS	<b>B</b>  $\phi 8 \times 30\text{mm}$ 22PCS	<b>C</b>  $\phi 8 \times 50\text{mm}$ 5PCS	<b>D</b>  $M3.5 \times 14\text{mm}$ 94PCS	<b>E</b>  $M3.5 \times 35\text{mm}$ 24PCS	<b>F</b>  $M3.5 \times 40\text{mm}$ 2PCS	<b>G</b>  $M8 \times 40\text{mm}$ 2PCS
<b>H</b>  CR CL DR DL $L=300\text{mm}$ 6PCS	<b>I</b>  I1 I2 I3 I4 $15 \times 4$ $16 \times 4$ 1PC	<b>J</b>  6PCS	<b>K</b>  20PCS	<b>L</b>  $65 \times 32 \times 15\text{mm}$ 2PCS	<b>M</b>  $L=627\text{mm}$ 2PCS	<b>N</b>  $\phi 21\text{mm}$ 74PCS

1

one side



the other side

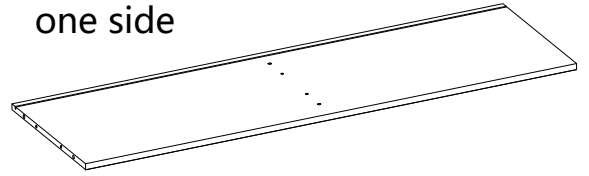


1270\*379\*15mm

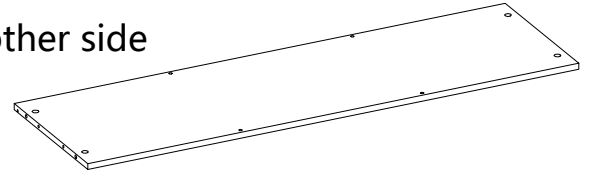
1 PC

2

one side



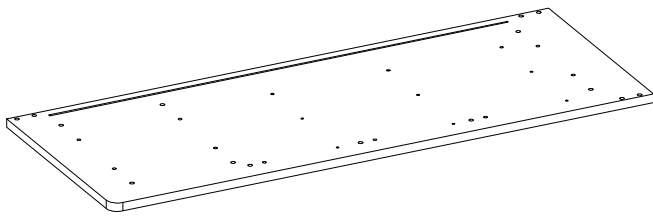
the other side



1270\*379\*15mm

1 PC

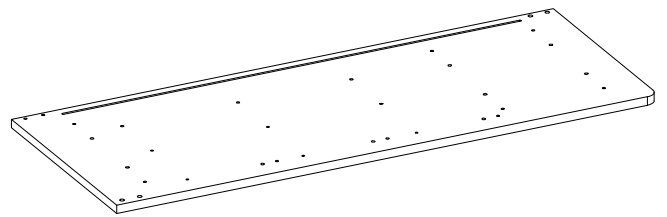
3



980\*380\*15mm

1 PC

4

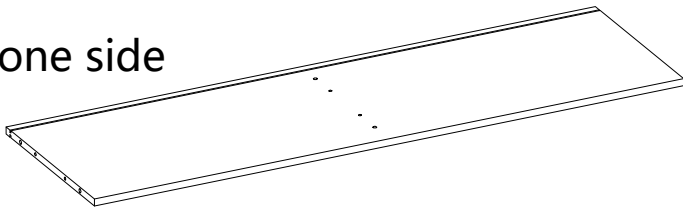


980\*380\*15mm

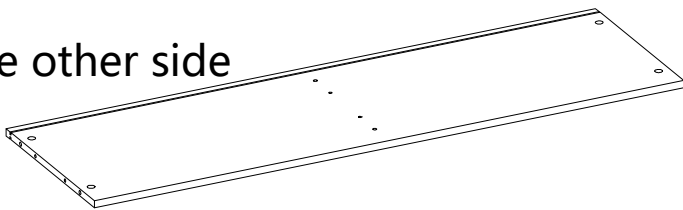
1 PC

5

one side



the other side

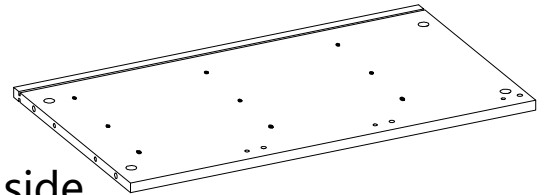


1270\*379\*15mm

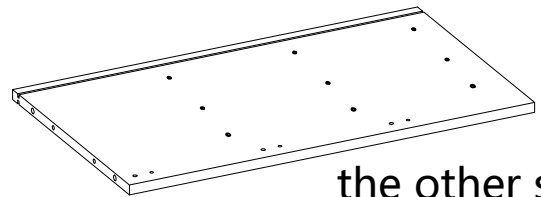
1 PC

6

one side



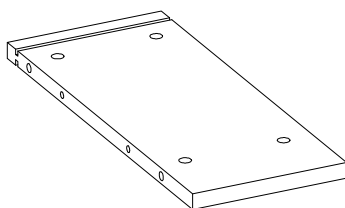
the other side



632\*364\*15mm

1 PC

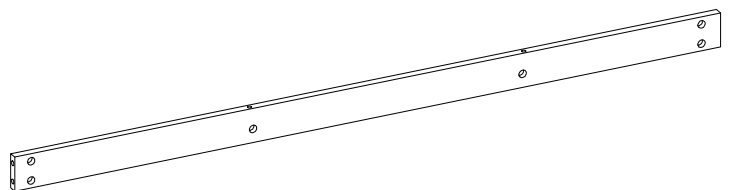
7



167\*364\*15mm

1 PC

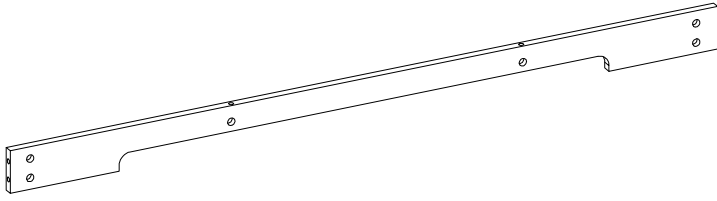
8



1270\*60\*15mm

1 PC

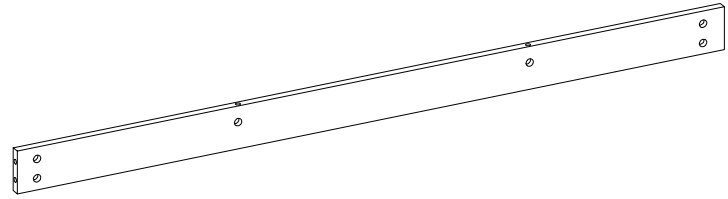
9



1270\*75\*15mm

1 PC

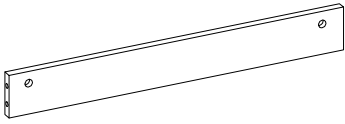
10



1270\*75\*15mm

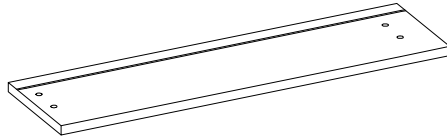
1 PC

11



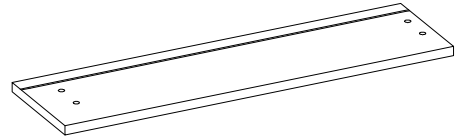
627.5\*50\*15mm 6 PCS

12



180\*632\*15mm 3 PCS

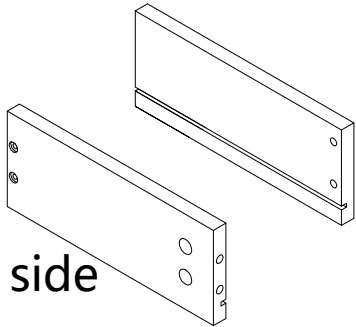
13



180\*632\*15mm 3 PCS

14

the other side

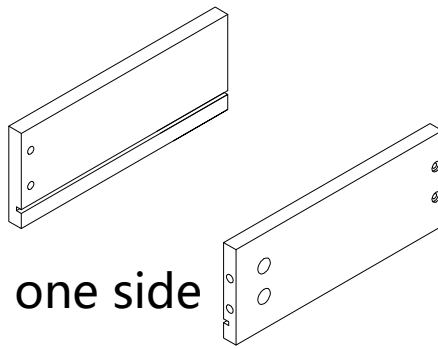


one side

300\*100\*15mm 6 PCS

15

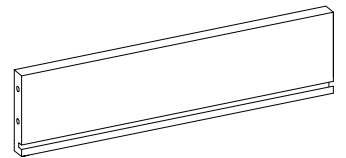
the other side



one side

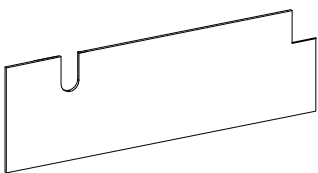
300\*100\*15mm 6 PCS

16



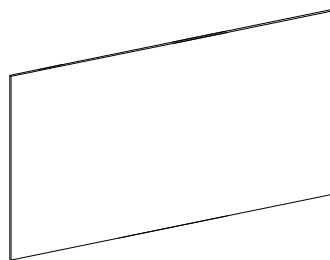
572.5\*100\*15mm 6 PCS

17



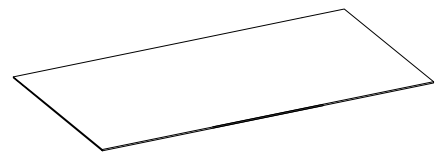
636.5\*176\*3mm 2 PCS

18



636.5\*320.5\*3mm 4PCS

19



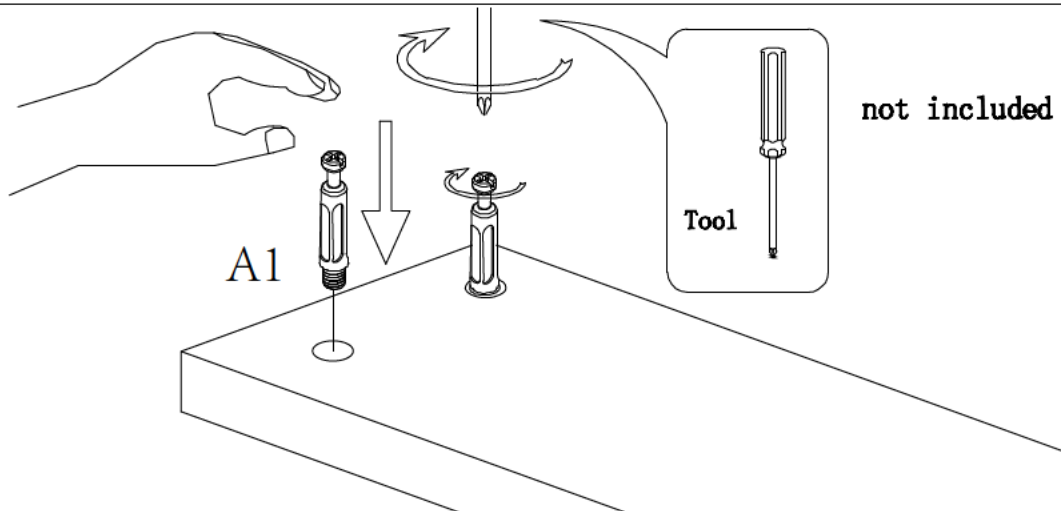
582.5\*295\*3mm 6 PCS

# Hardware installation demonstration

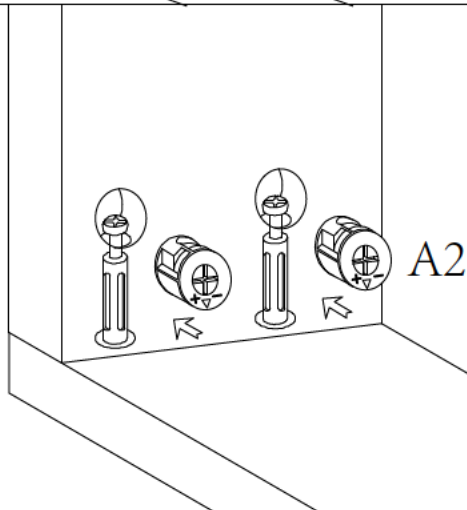


NOTE: Please make sure "A1" hardware tightened and can't be pulled out!

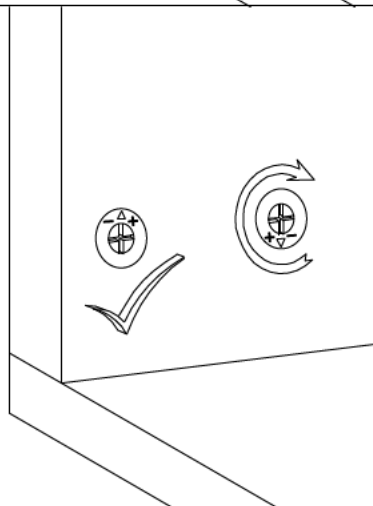
I



II

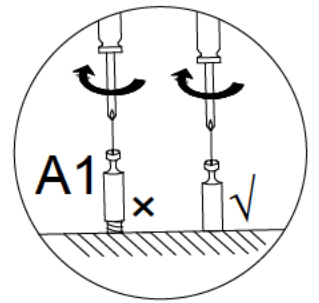
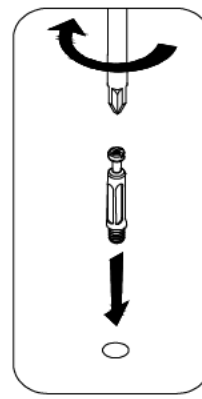


III

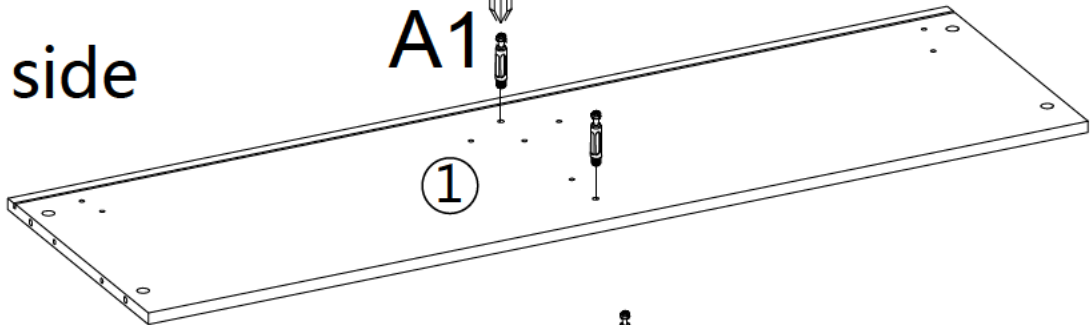
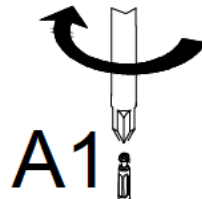


# STEP 1

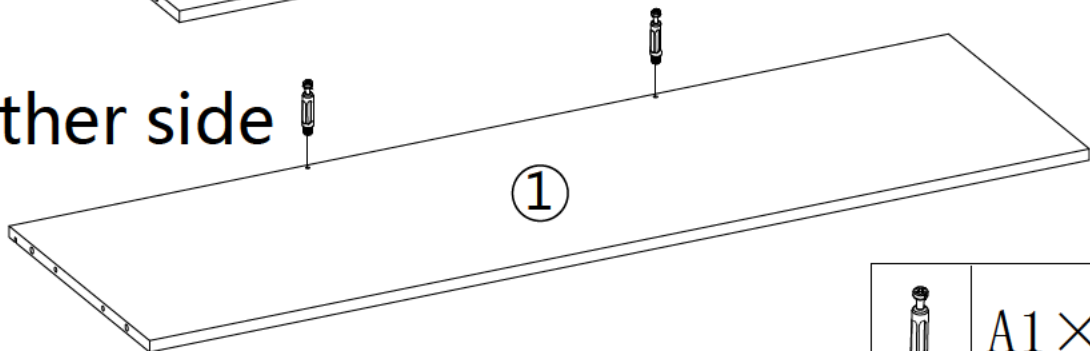
Tighten it , Same after



one side

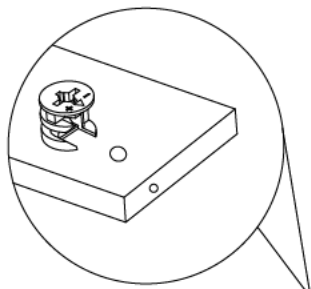
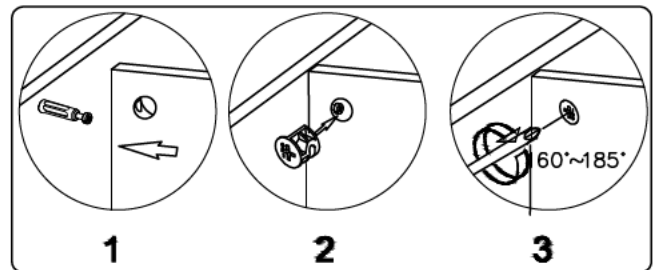


the other side

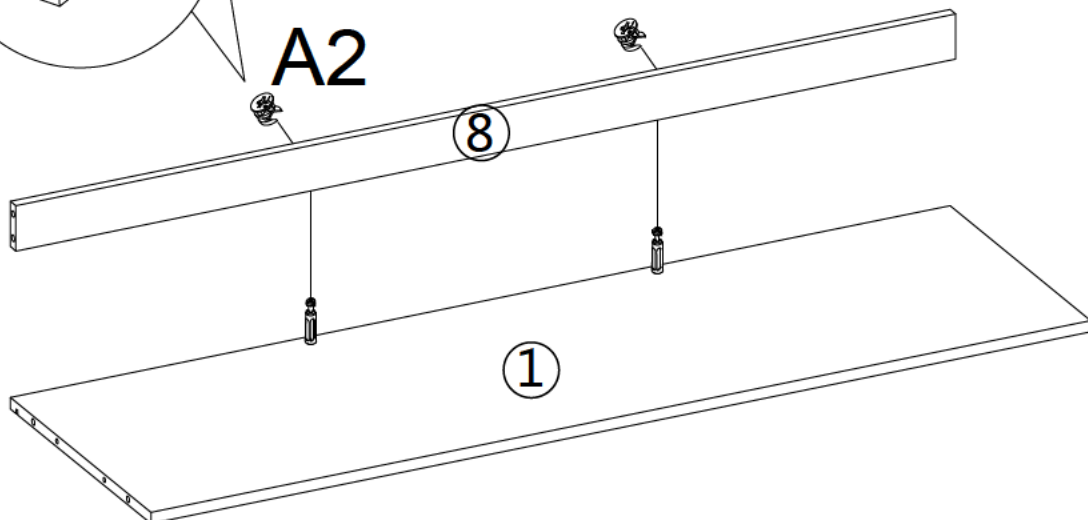


A1 × 4PCS

# STEP 2

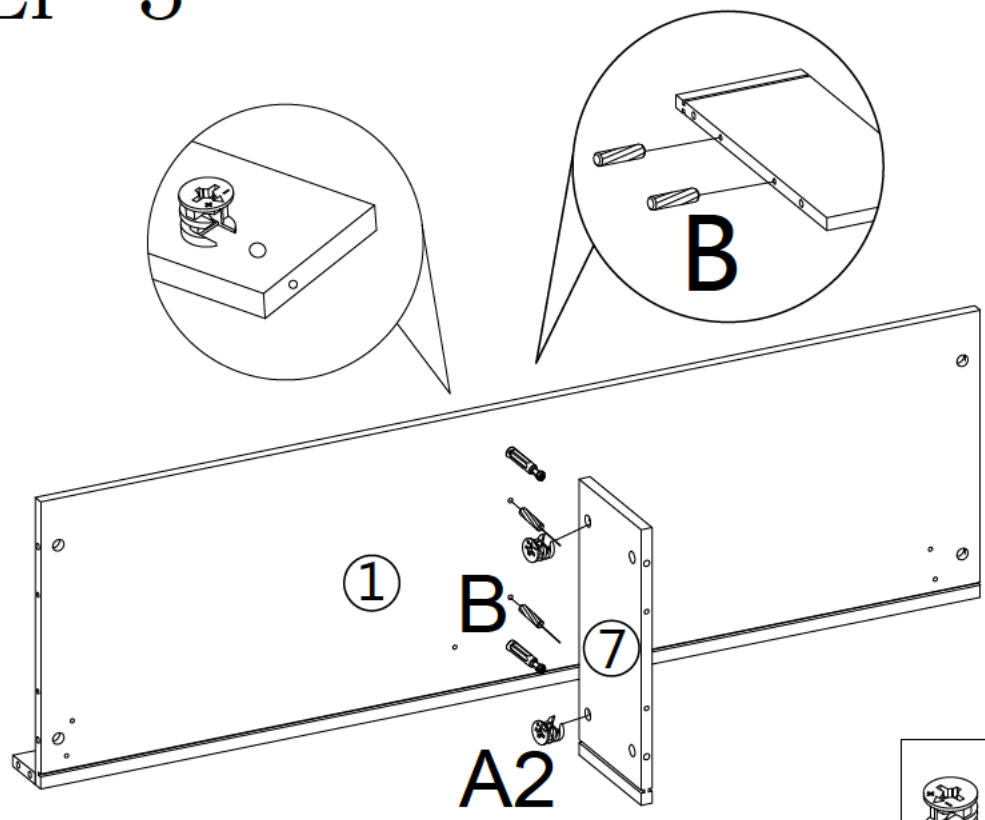




A2



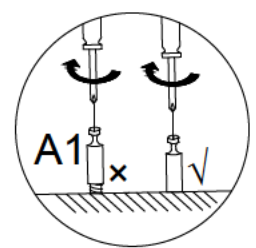
A2 × 2PCS

# STEP 3

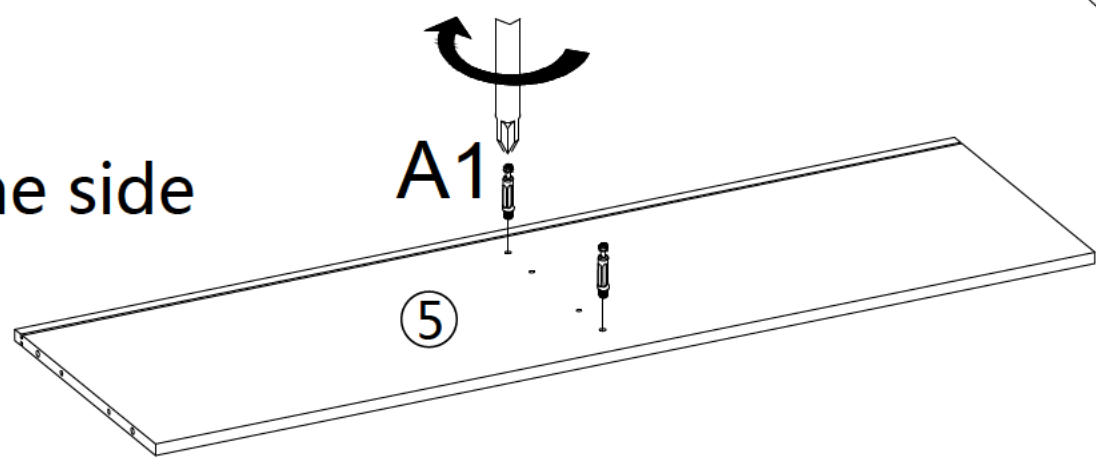


	A2 × 2PCS
	B × 2PCS

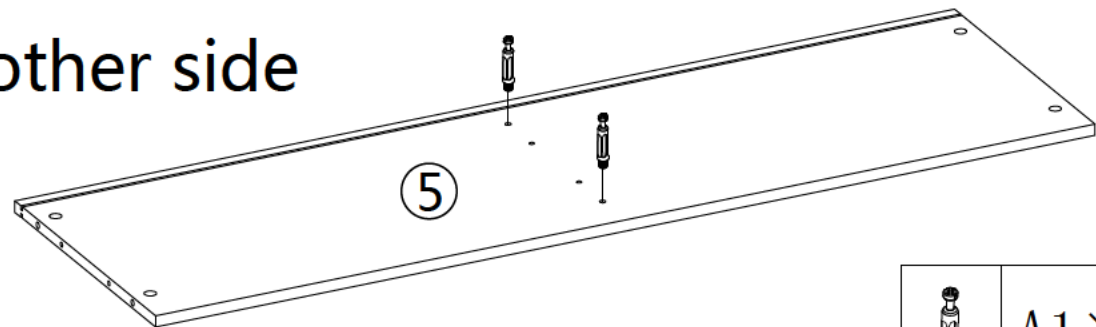
# STEP 4




one side

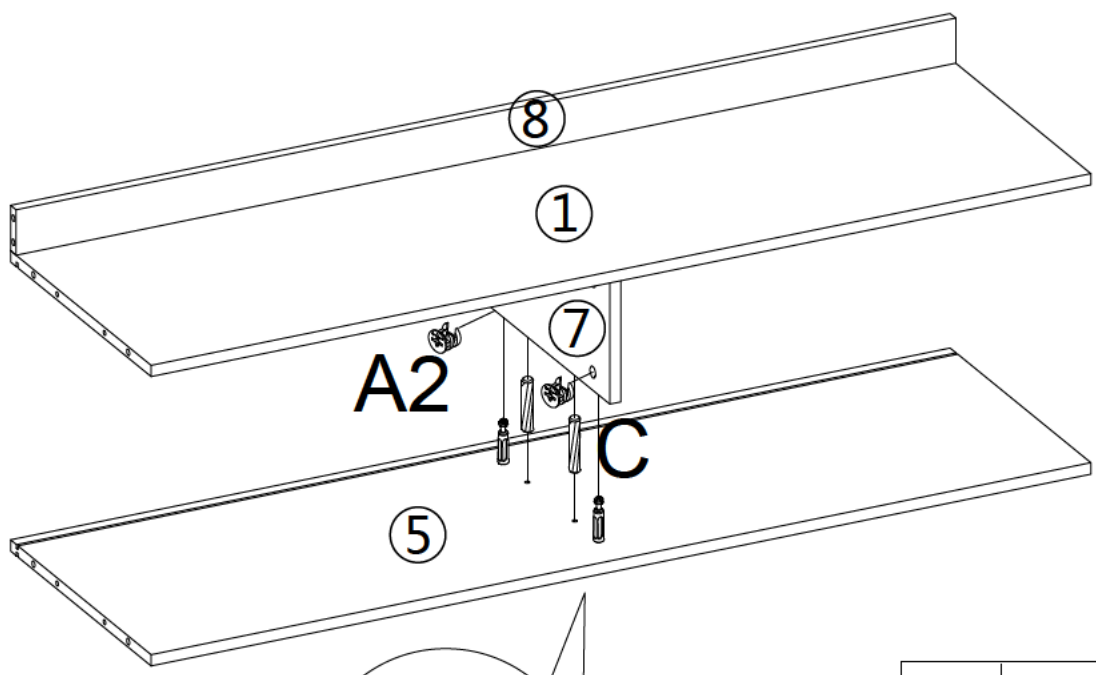




the other side



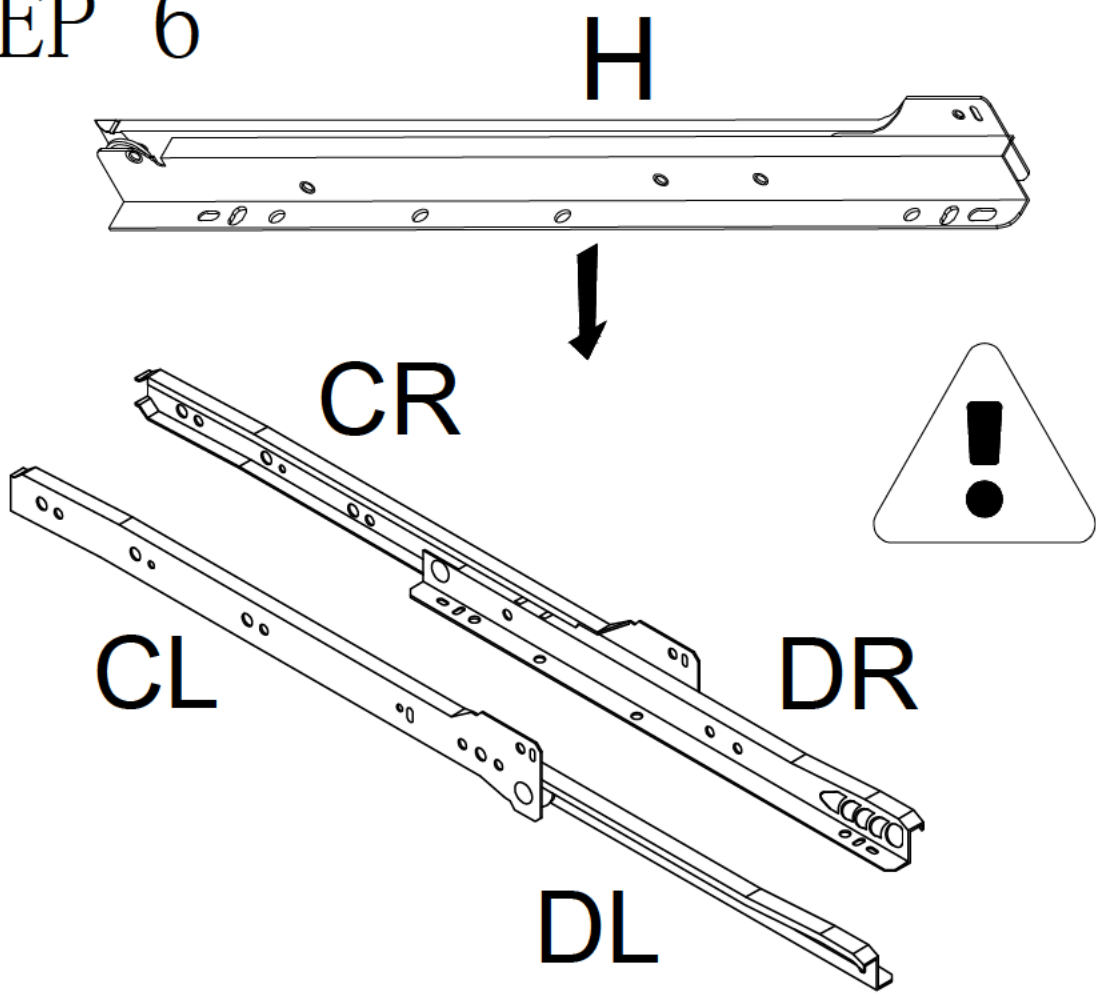
	A1 × 4PCS
---	-----------

# STEP 5



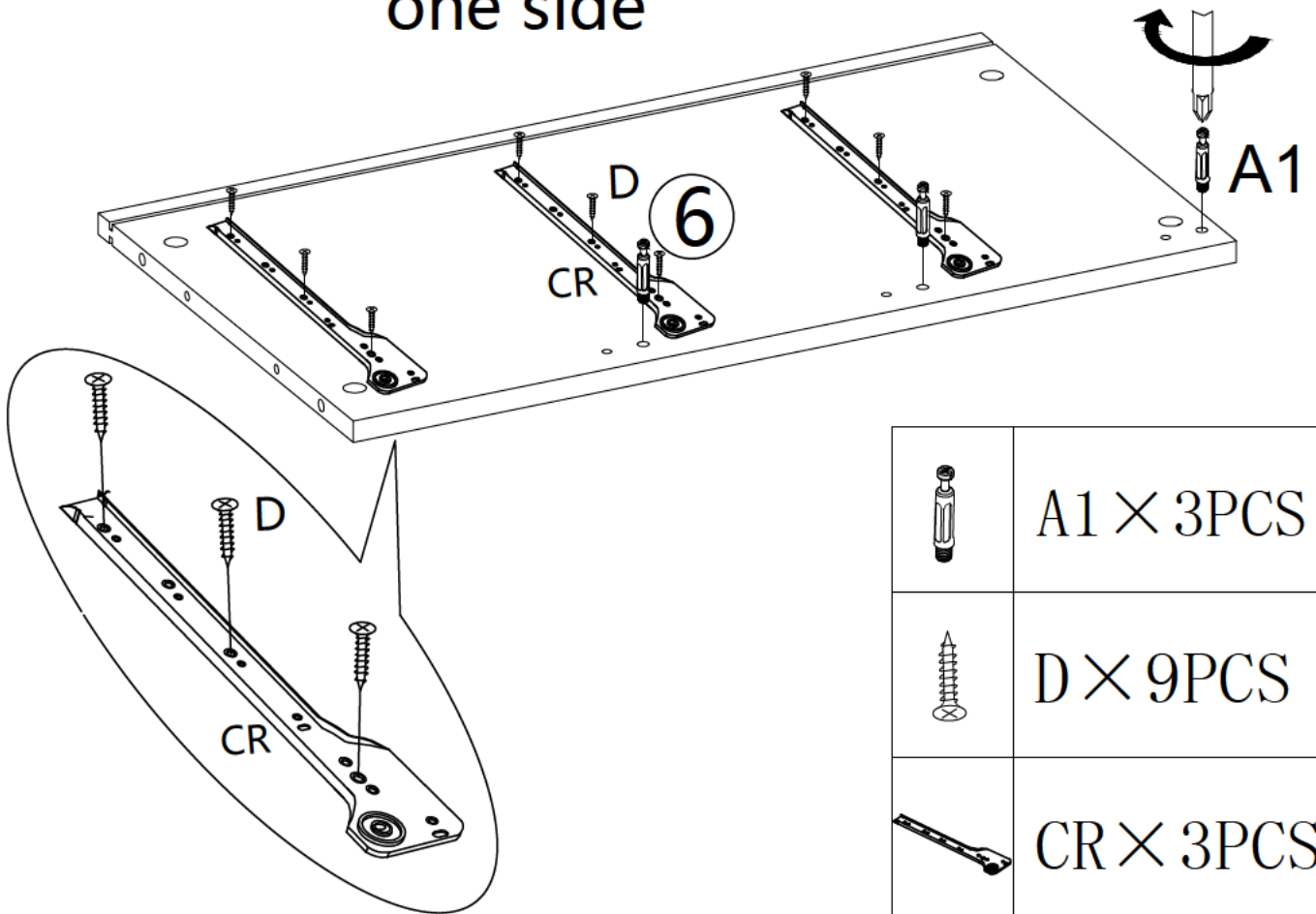
	A2 × 2PCS
	C × 2PCS

# STEP 6



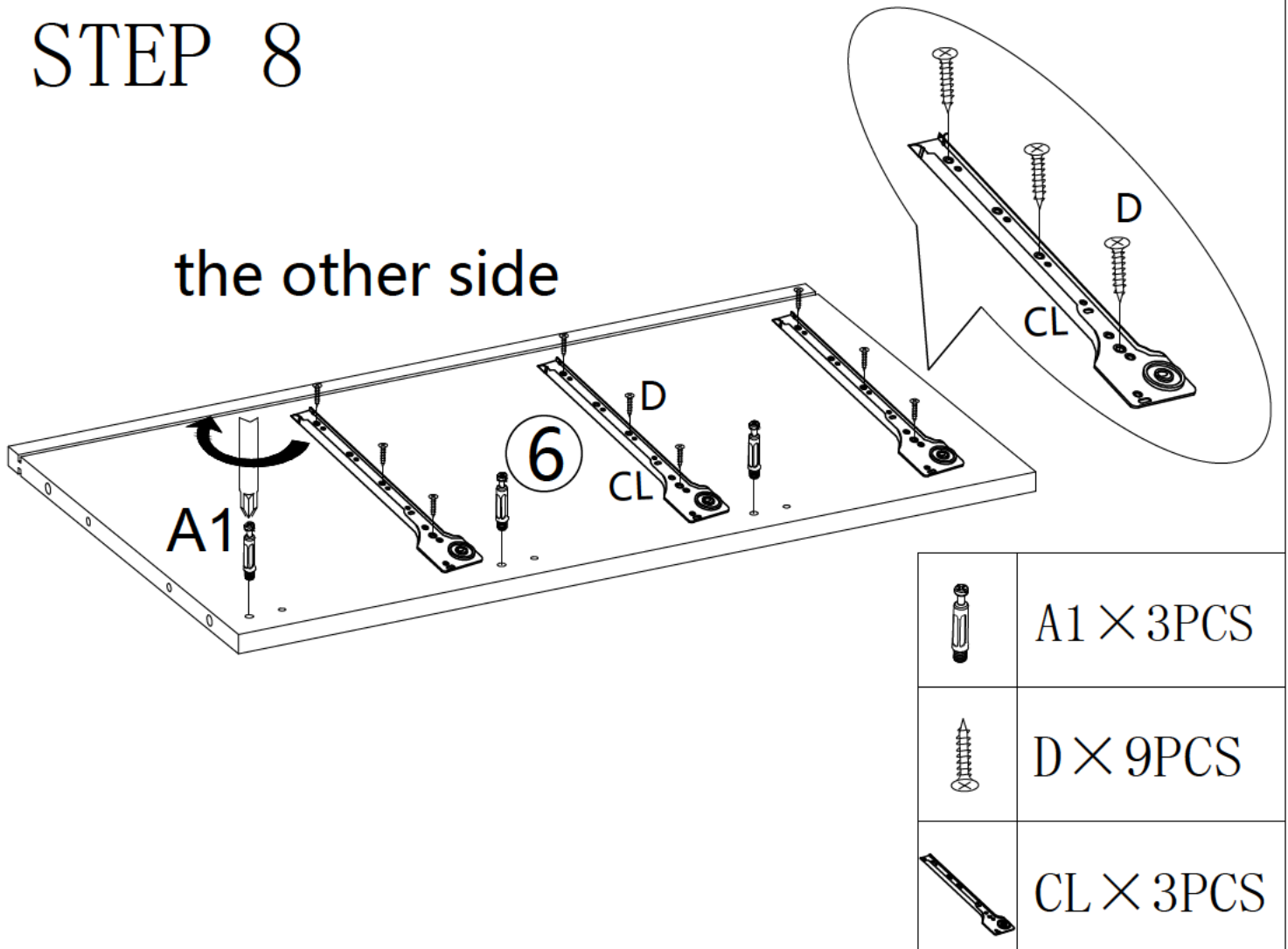
# STEP 7

one side

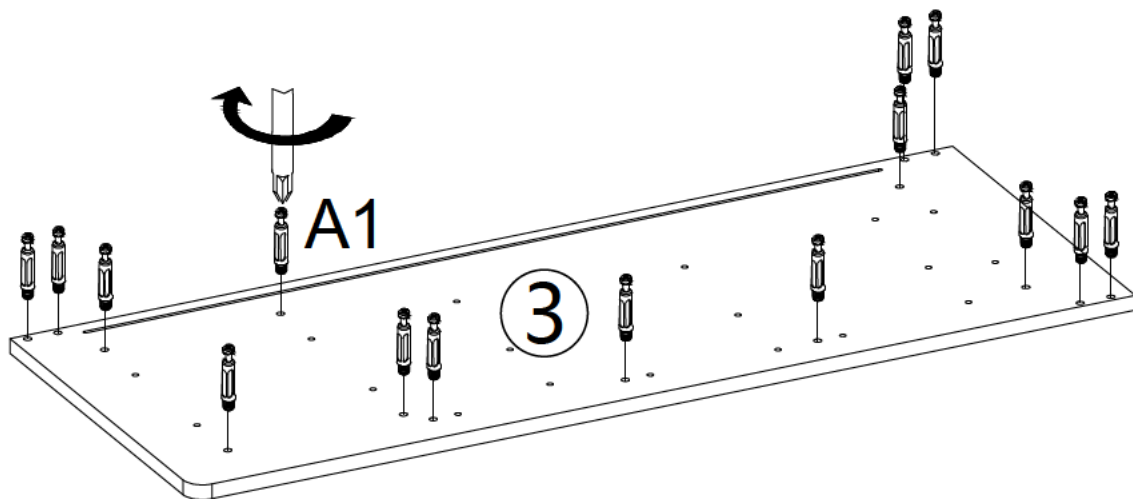
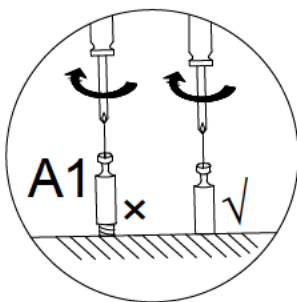


# STEP 8

the other side

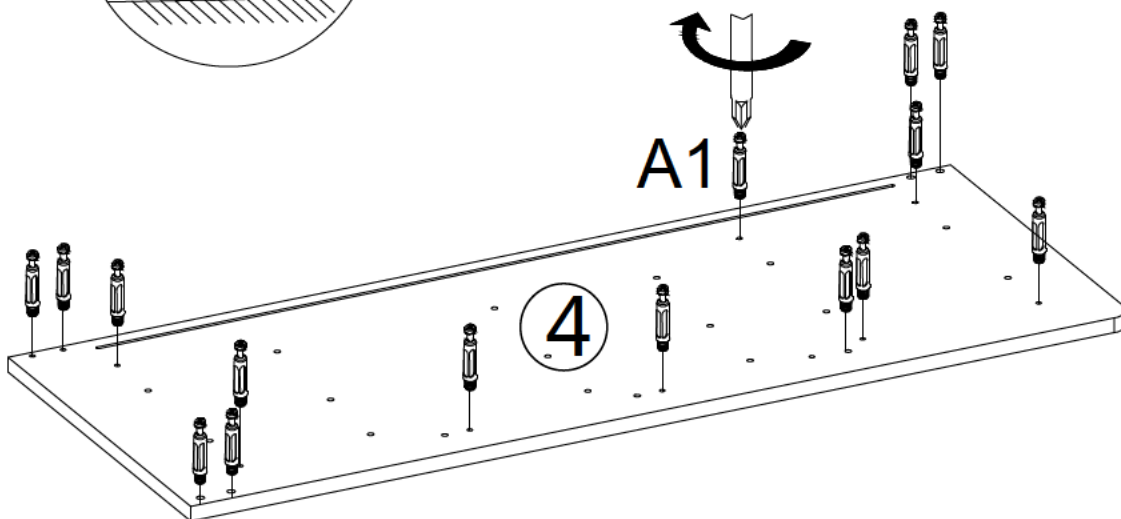
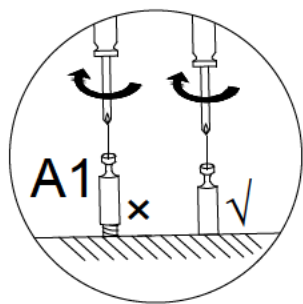



# STEP 9



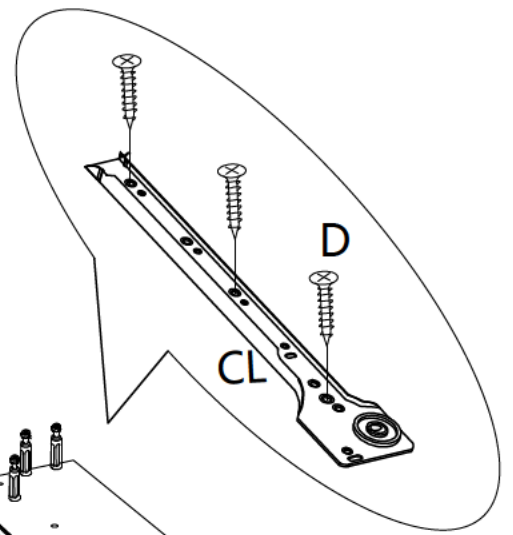
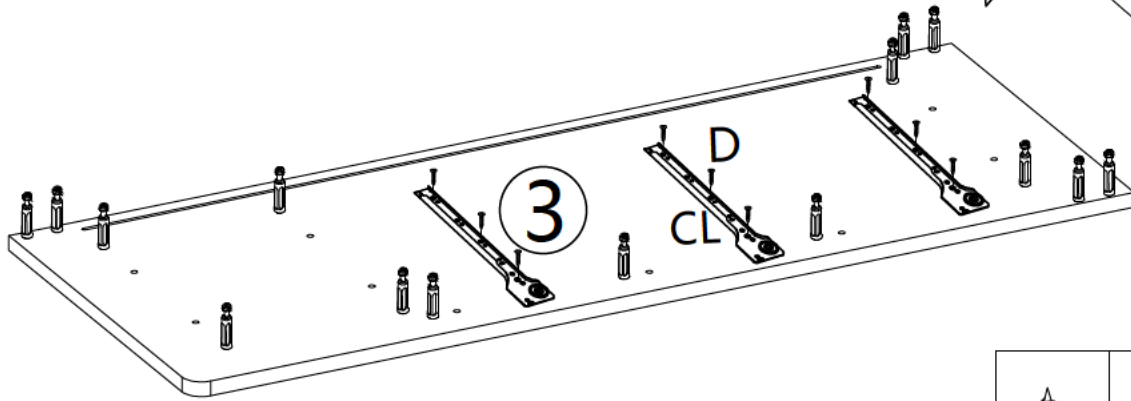
	A1 × 15PCS
---	------------



# STEP 10



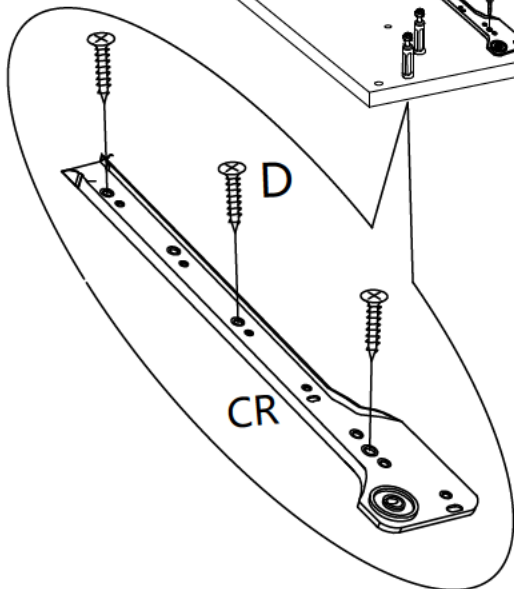
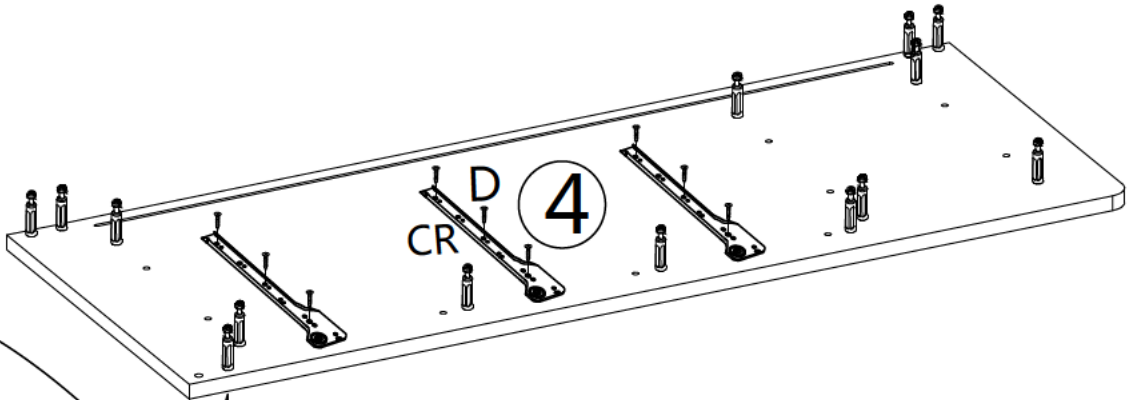
	A1 × 15PCS
---	------------



# STEP 11



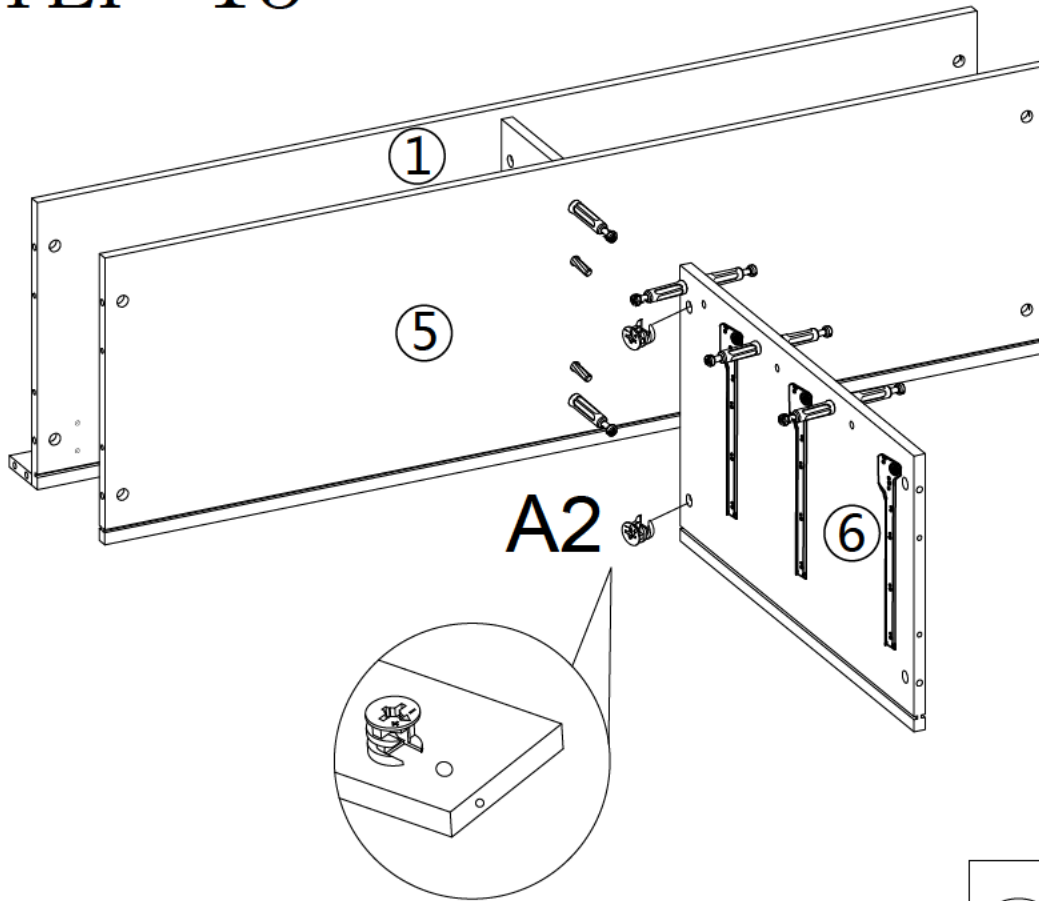
	D × 9PCS
	CL × 3PCS

# STEP 12



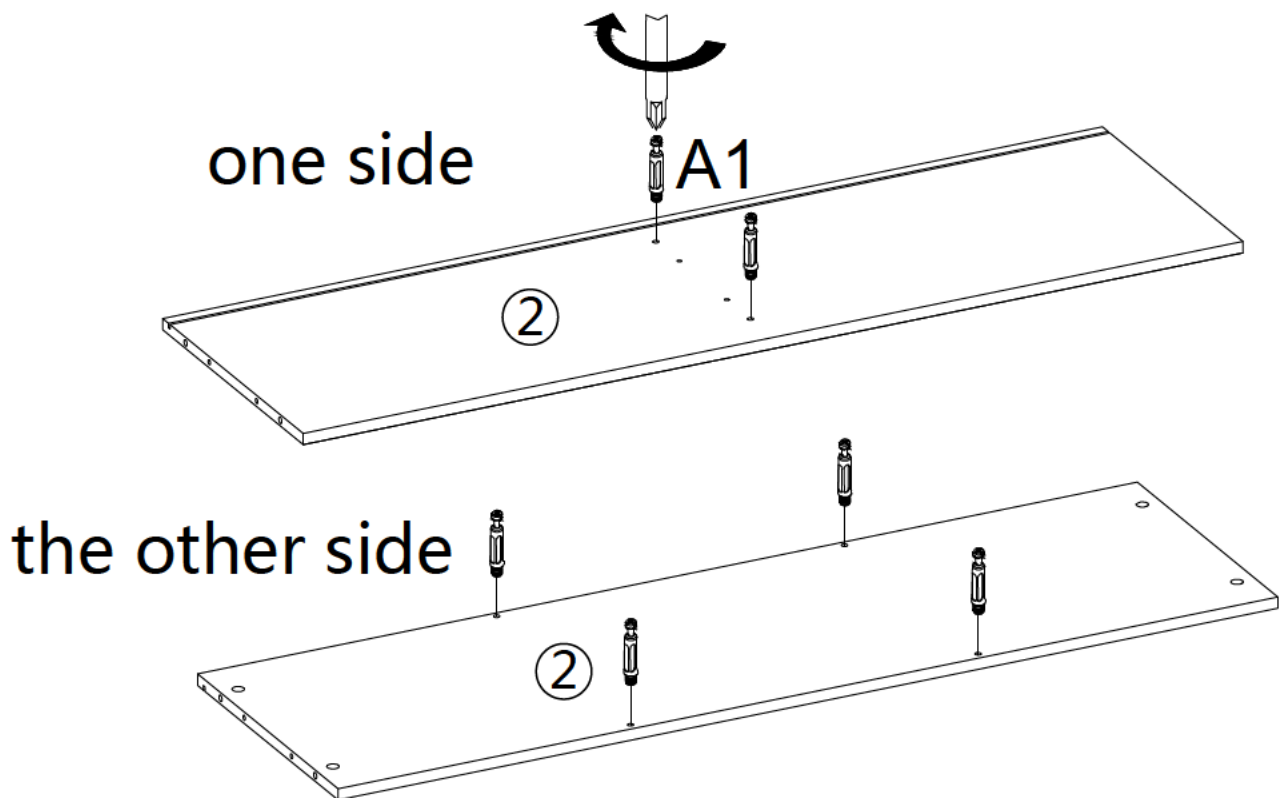
	D × 9PCS
	CR × 3PCS

# STEP 13



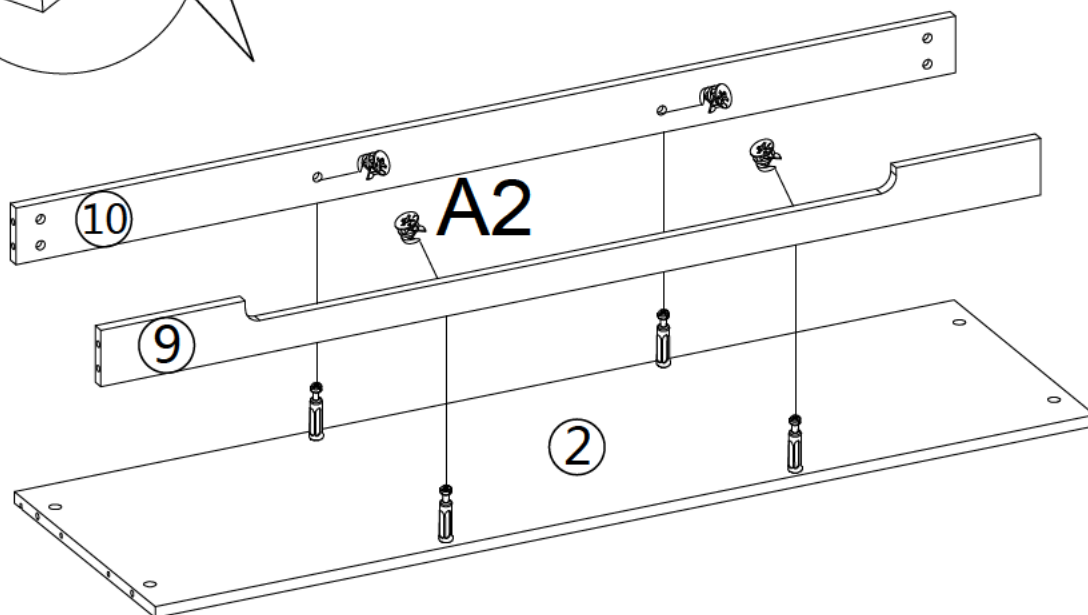
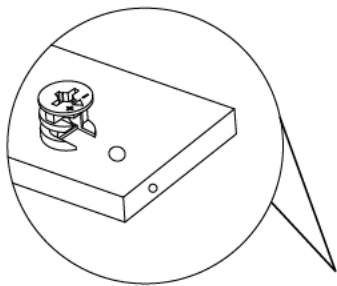
A2 × 2PCS

# STEP 14



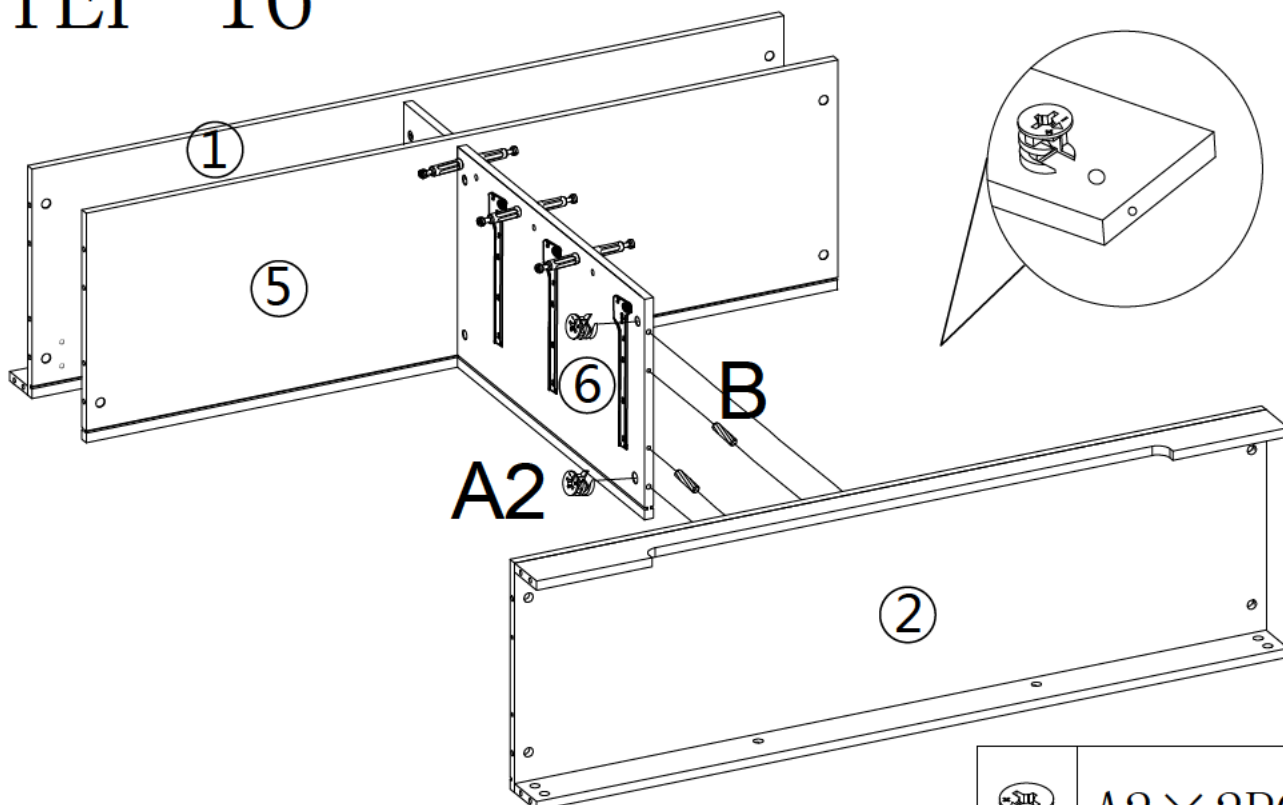
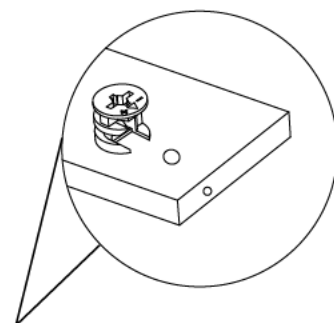
A1 × 6PCS

# STEP 15



A2 × 4PCS

# STEP 16

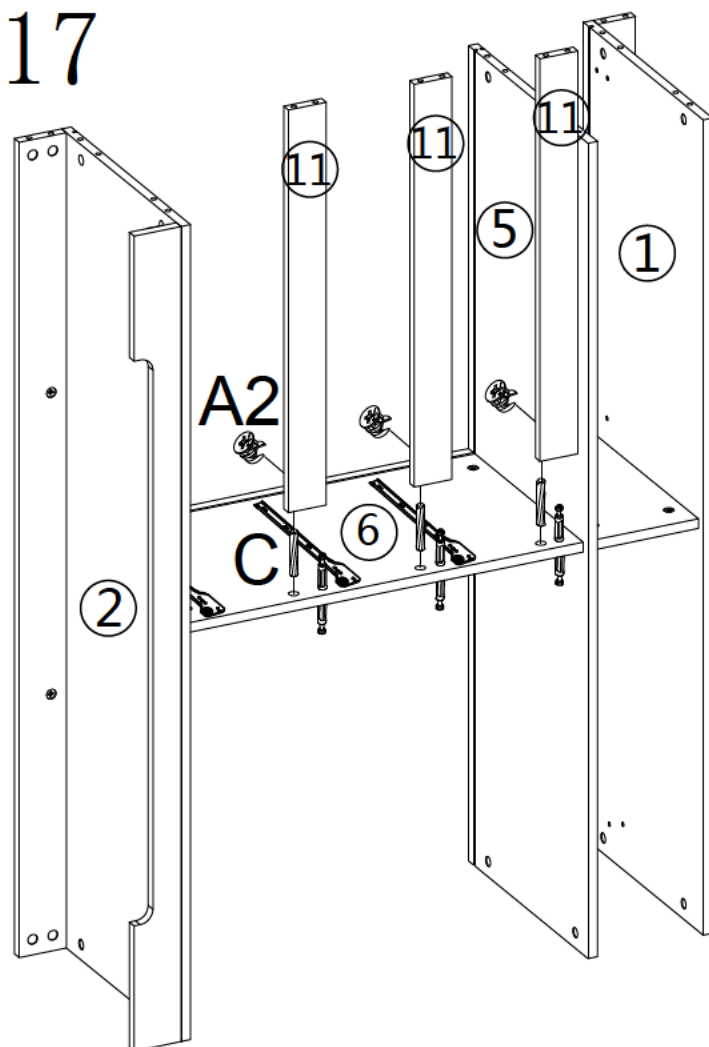




A2 × 2PCS



B × 2PCS

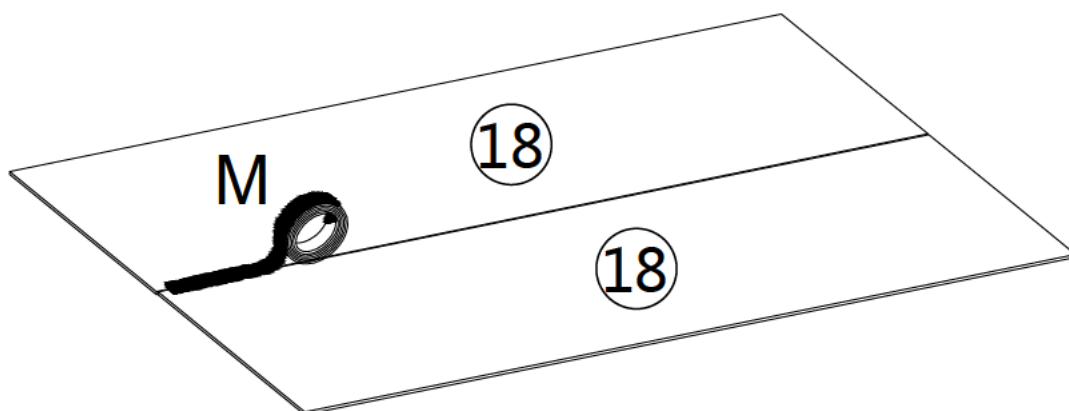
# STEP 17




	A2 × 3PCS
	C × 3PCS

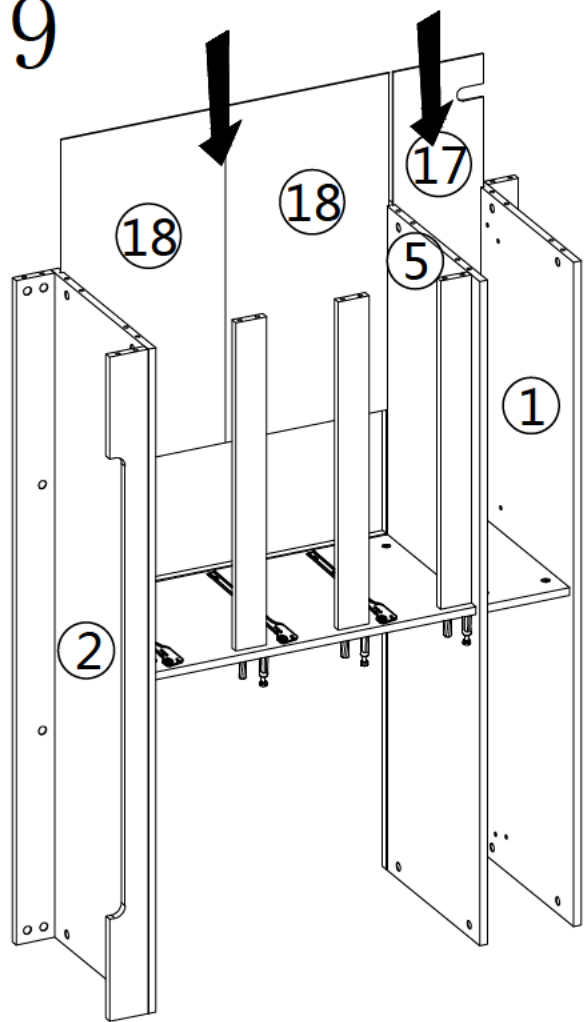
# STEP 18

# X2

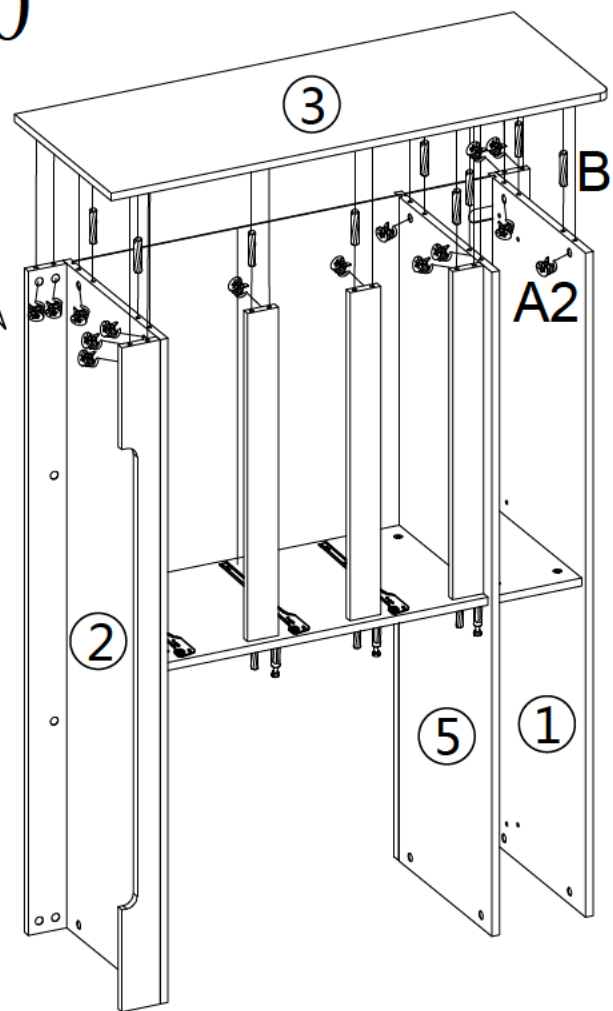
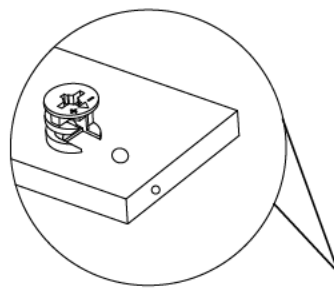




	M × 1PC
---	---------

# STEP 19

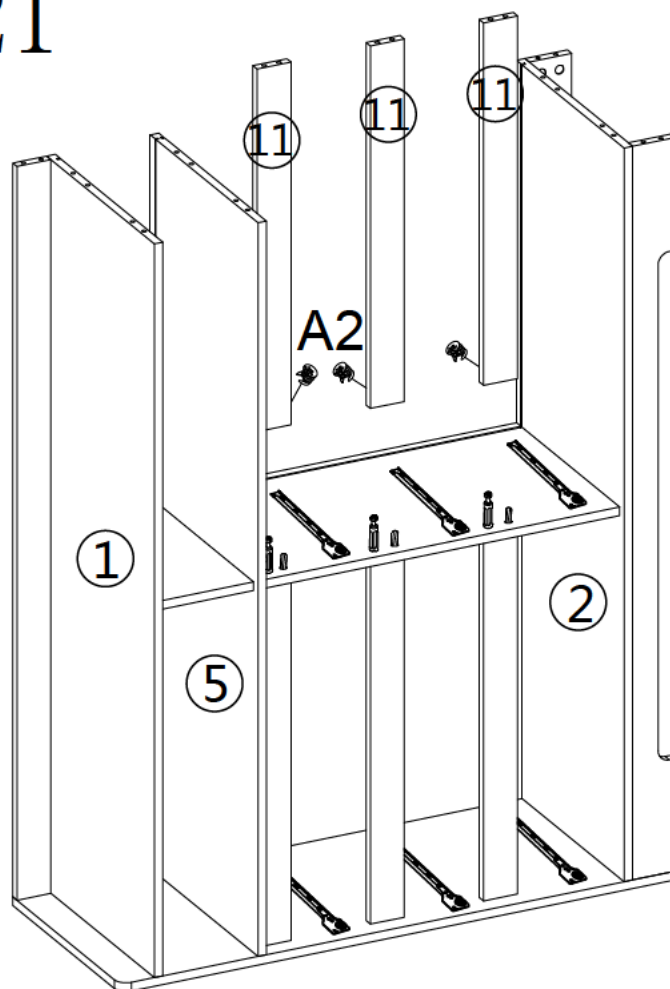


# STEP 20



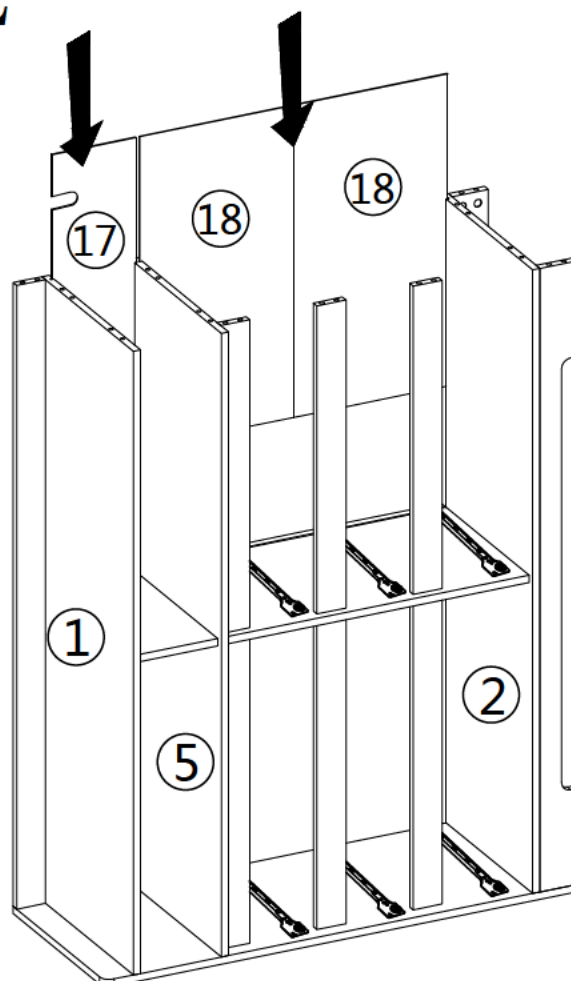
	A2 × 15PCS
	B × 9PCS

# STEP 21

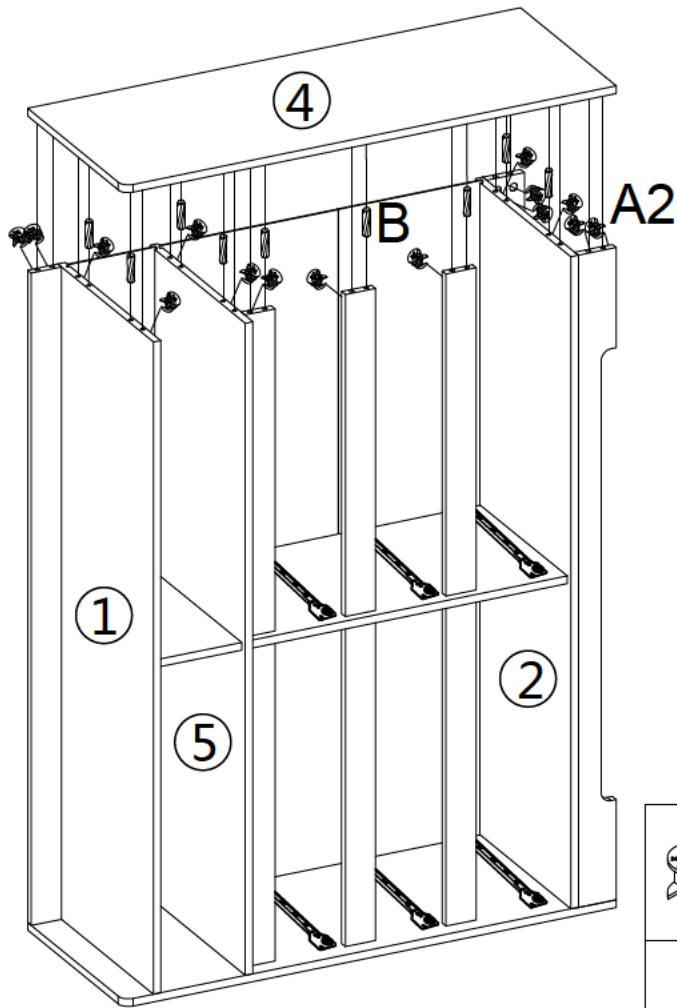
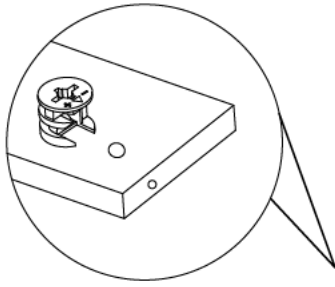




A2 × 3PCS

# STEP 22

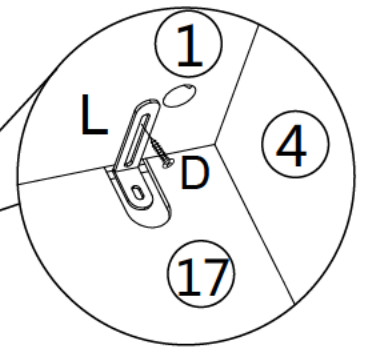
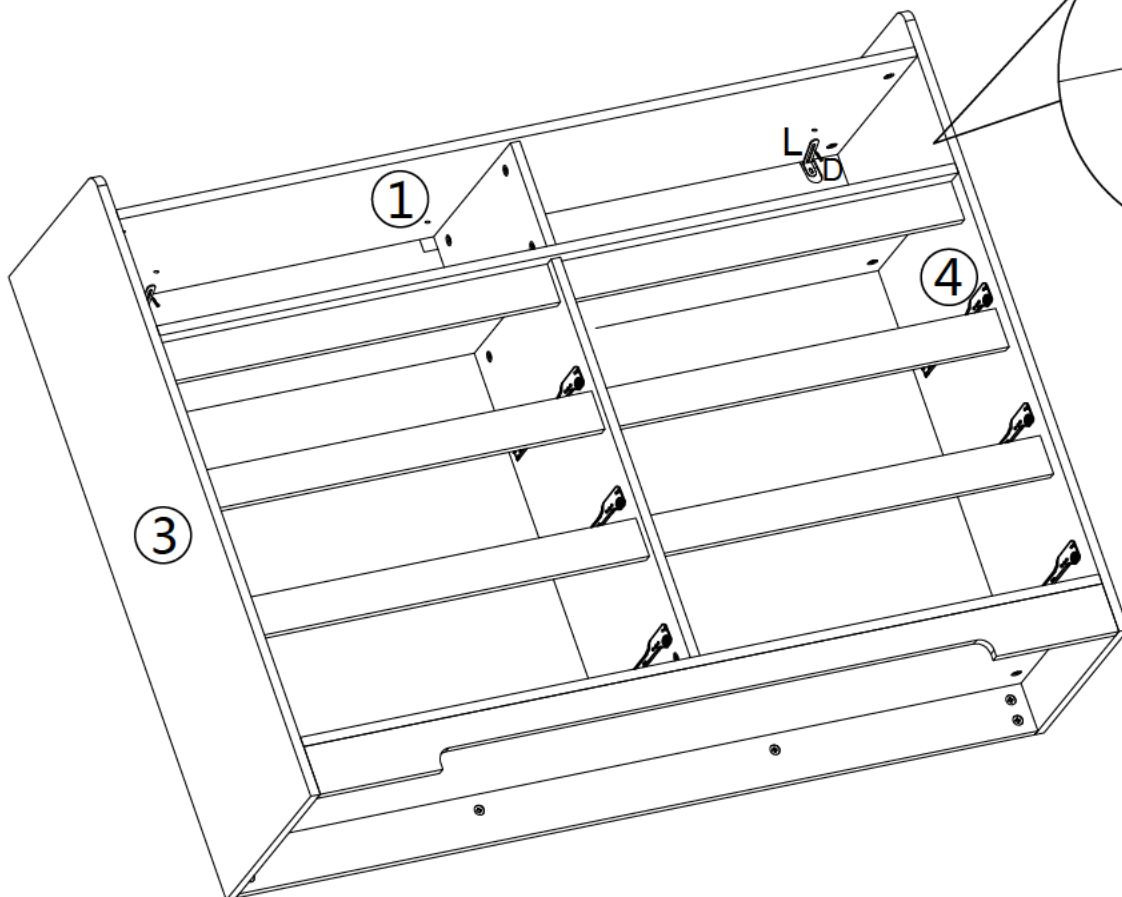




# STEP 23



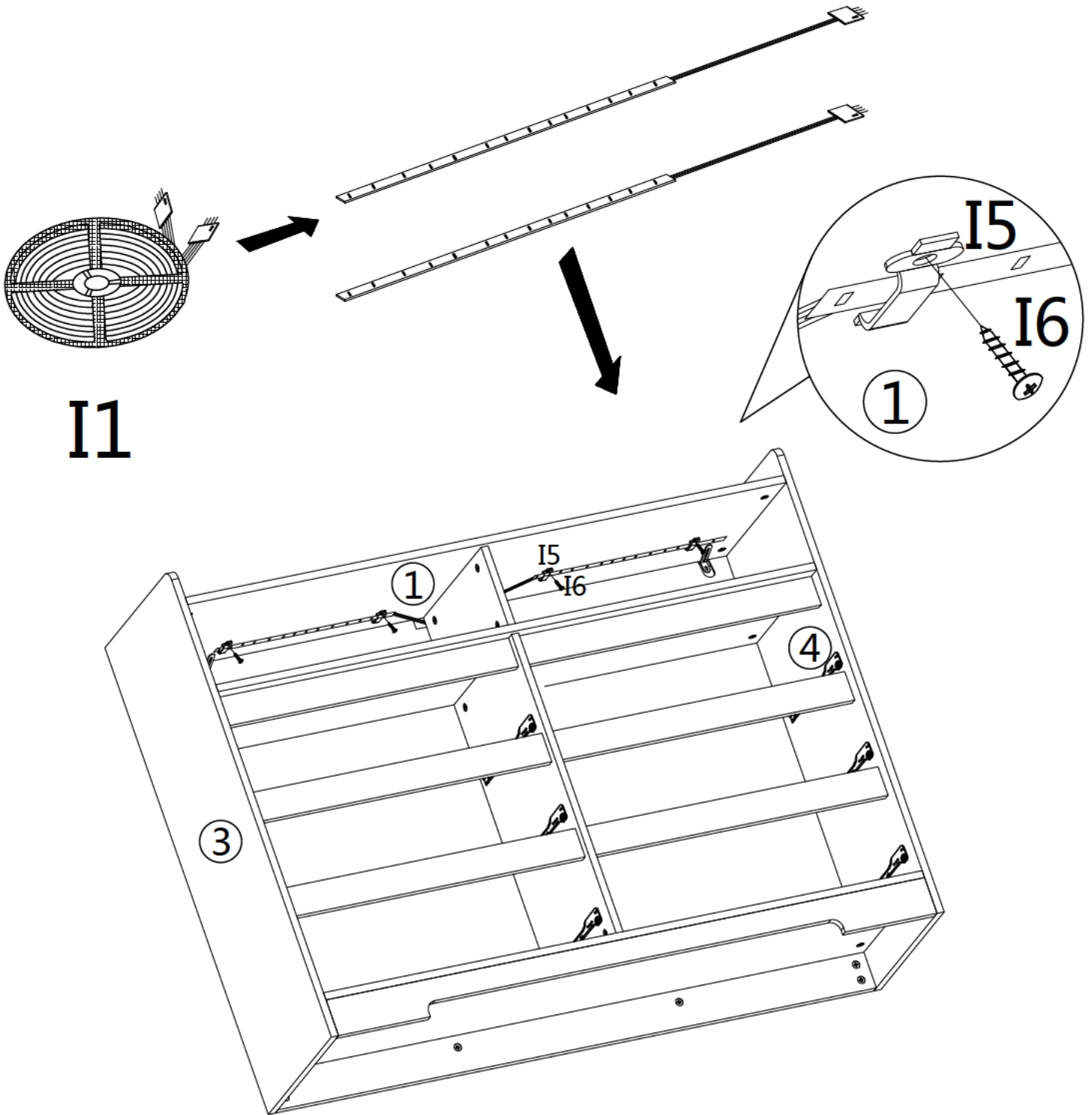
	A2 × 15PCS
	B × 9PCS




# STEP 24



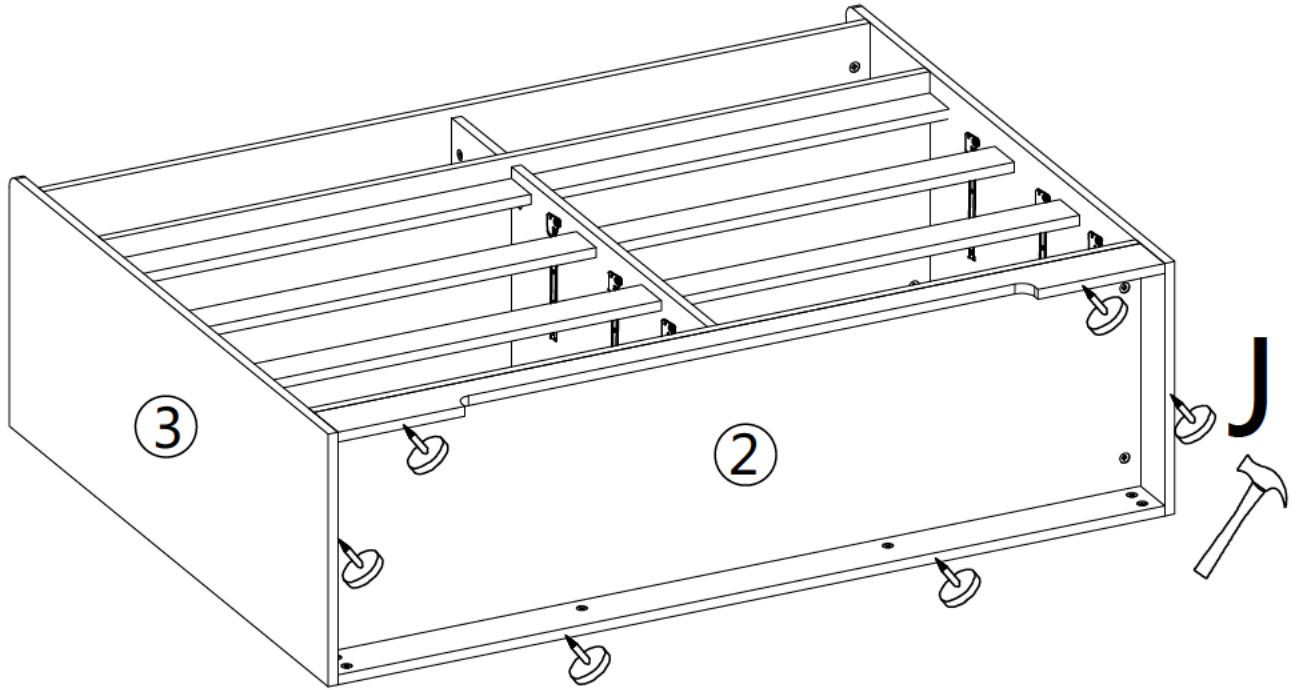
	D × 2PCS
	L × 2PCS

# STEP 25



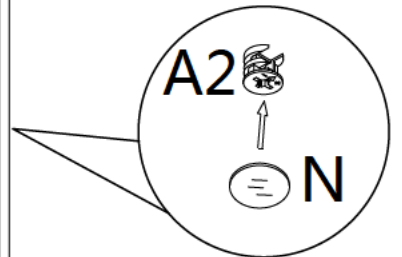
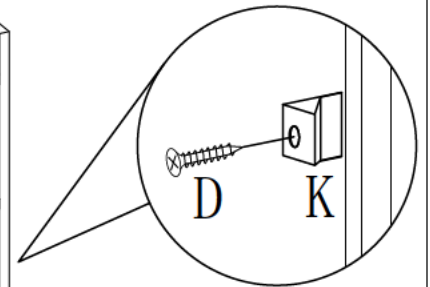
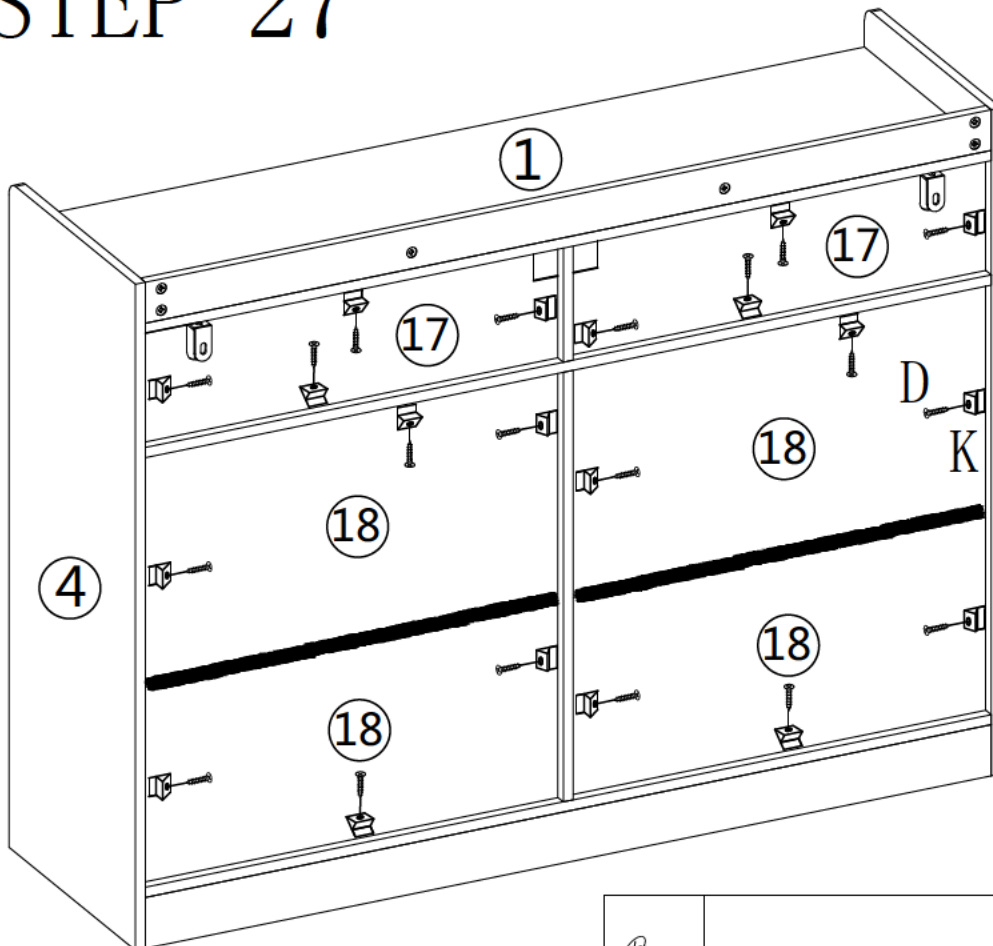
	I1 × 1PC
	I5 × 4PCS
	I6 × 4PCS

# STEP 26



J × 6PCS

# STEP 27



N × 50PCS

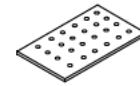
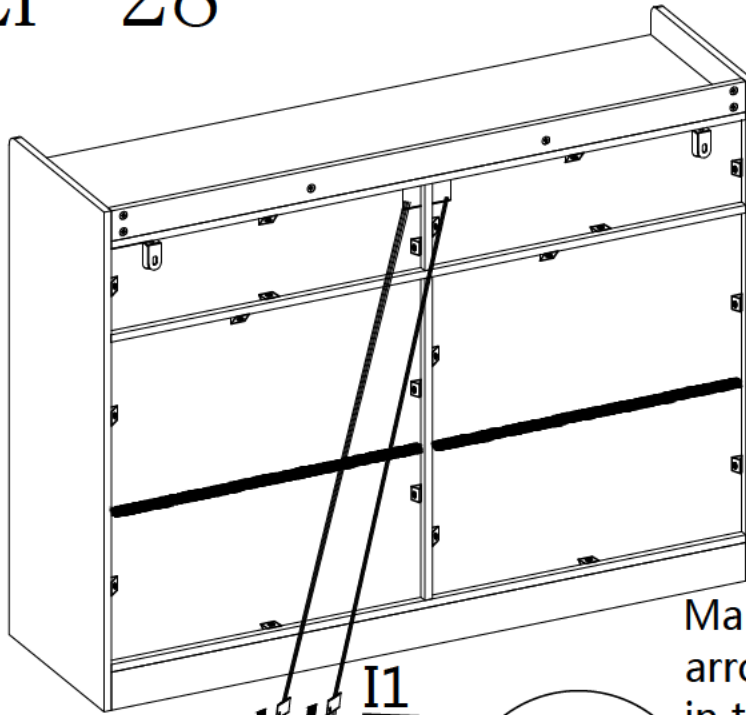


D × 20PCS



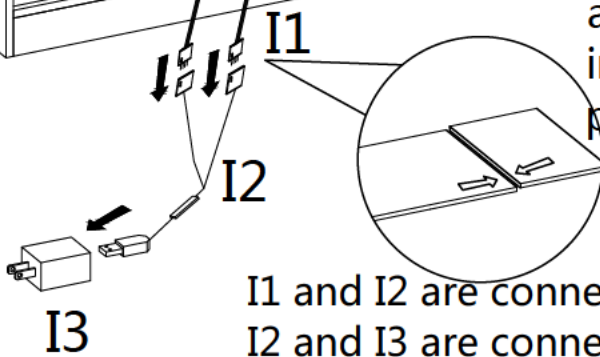
K × 20PCS

# STEP 28



**I4**

Last:lug the I3 into the power supply !  
I4 can be adjusted !



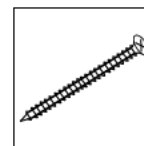
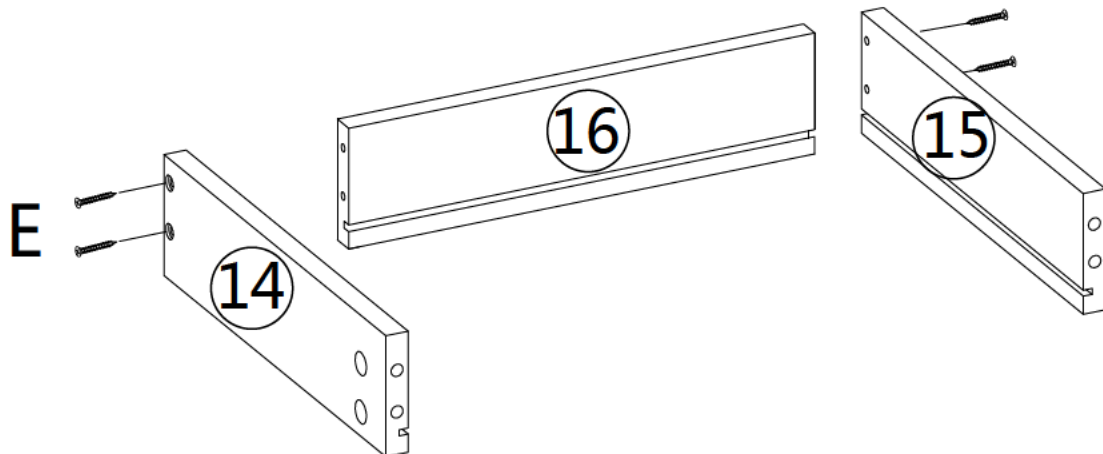
Make sure the arrows are in the same position !

	I2 × 1PC
	I3 × 1PC
	I4 × 1PC

I1 and I2 are connected;  
I2 and I3 are connected;

# STEP 29

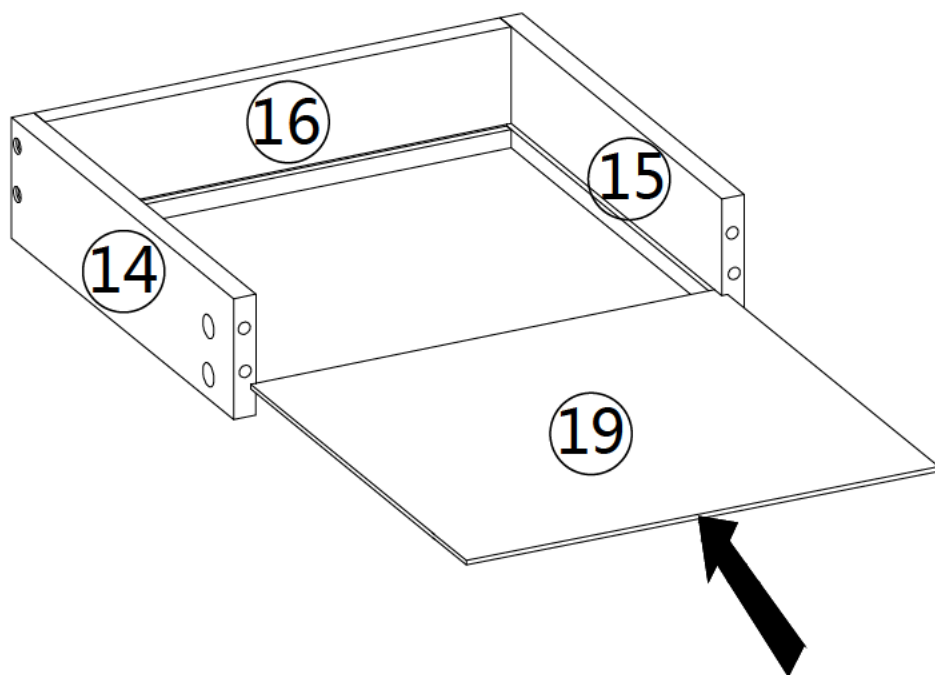
# X6



**E × 4PCS**

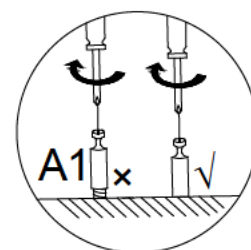
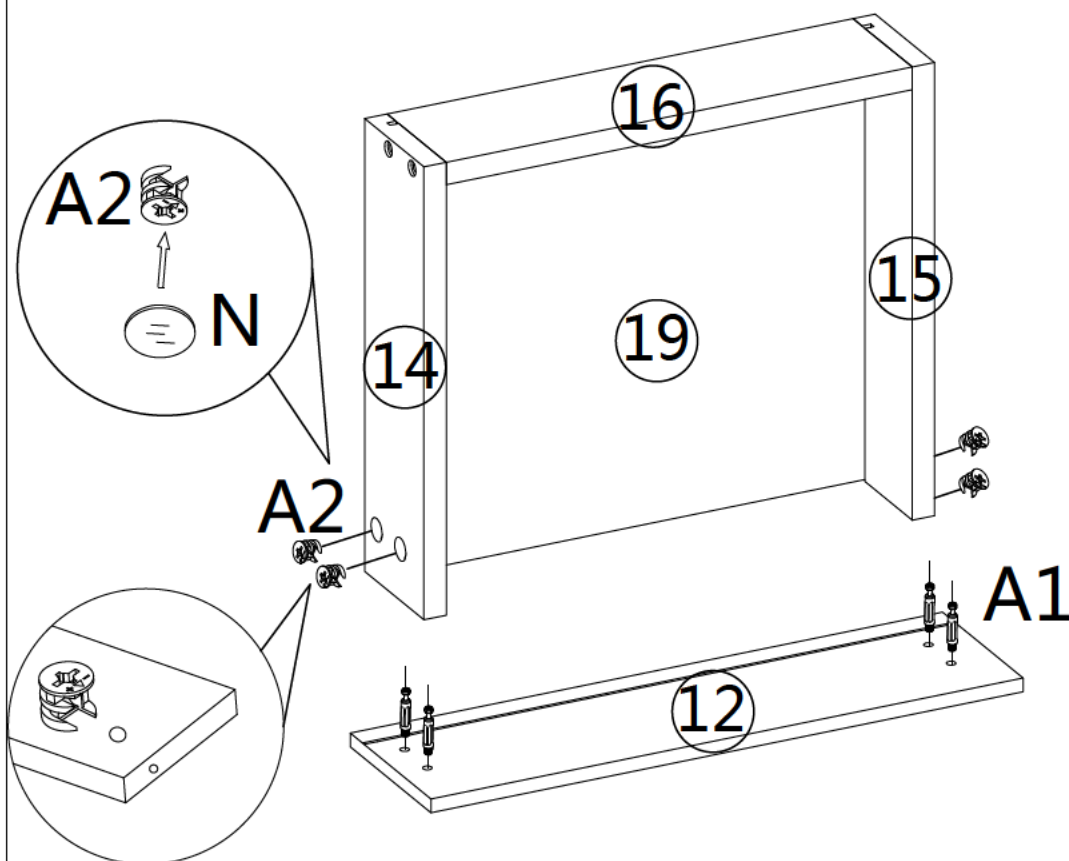
STEP 30




X6



STEP 31

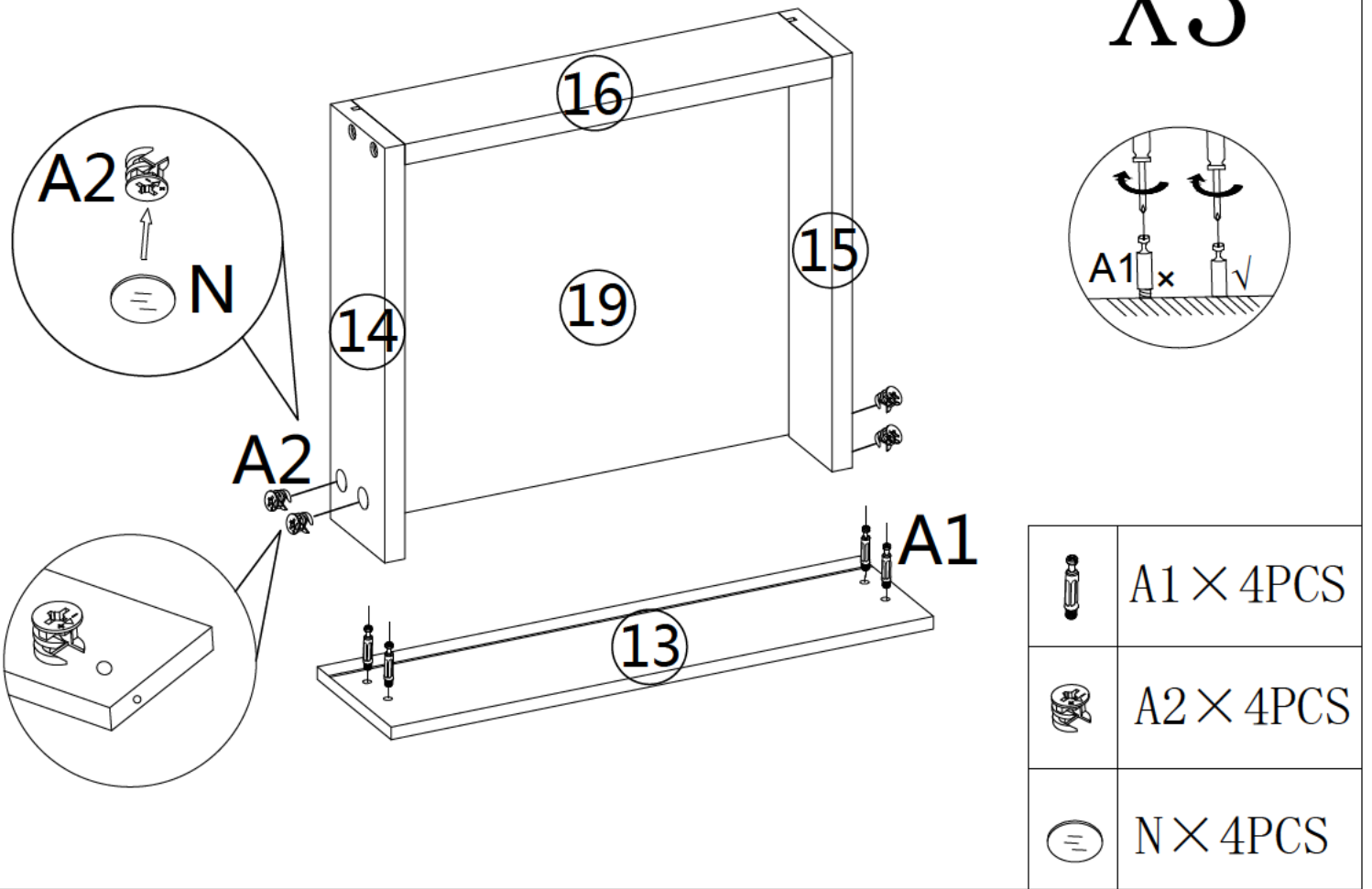
X3






	A1 × 4PCS
	A2 × 4PCS
	N × 4PCS

# STEP 32

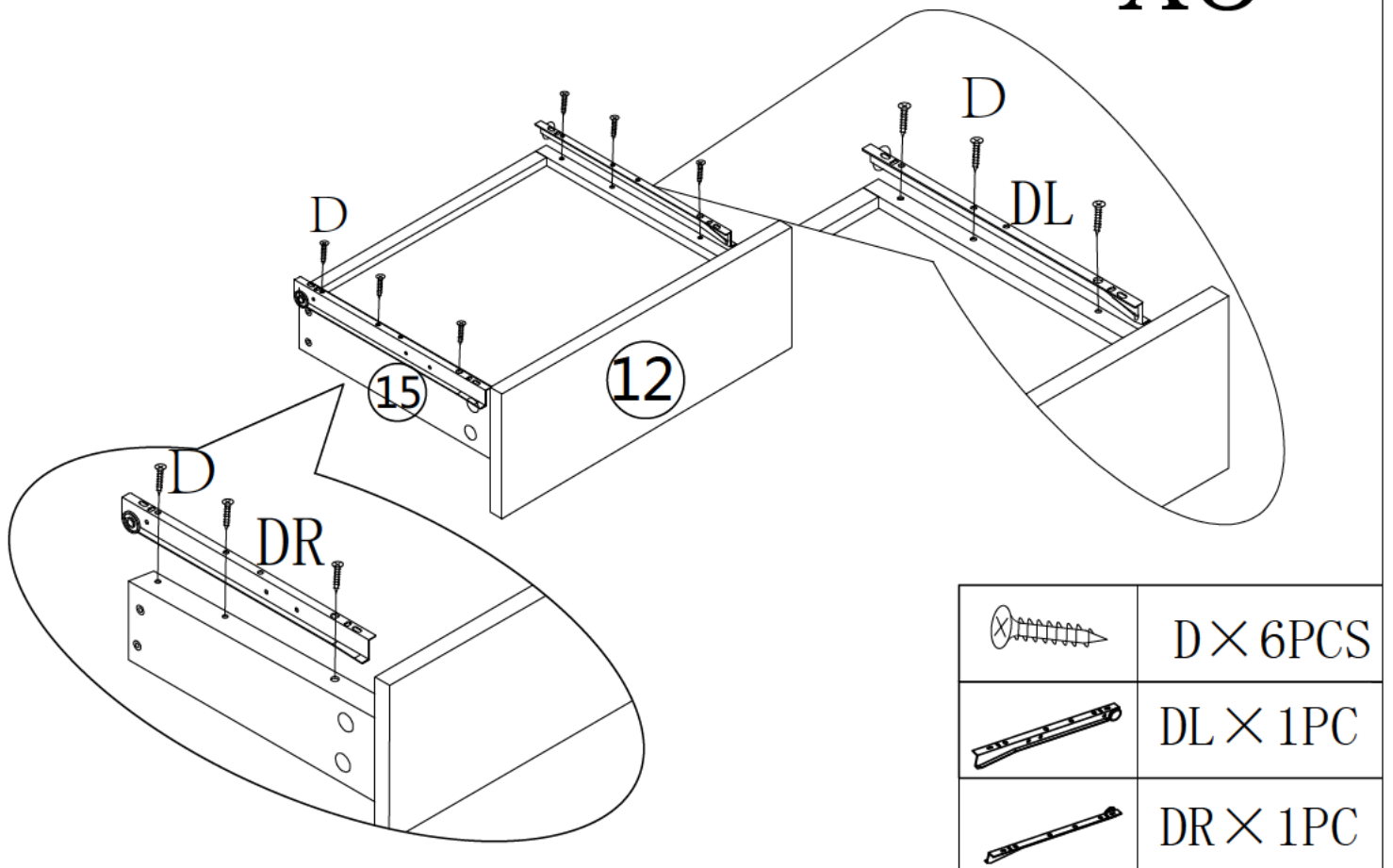
# X3






	A1 × 4PCS
	A2 × 4PCS
	N × 4PCS

# STEP 33

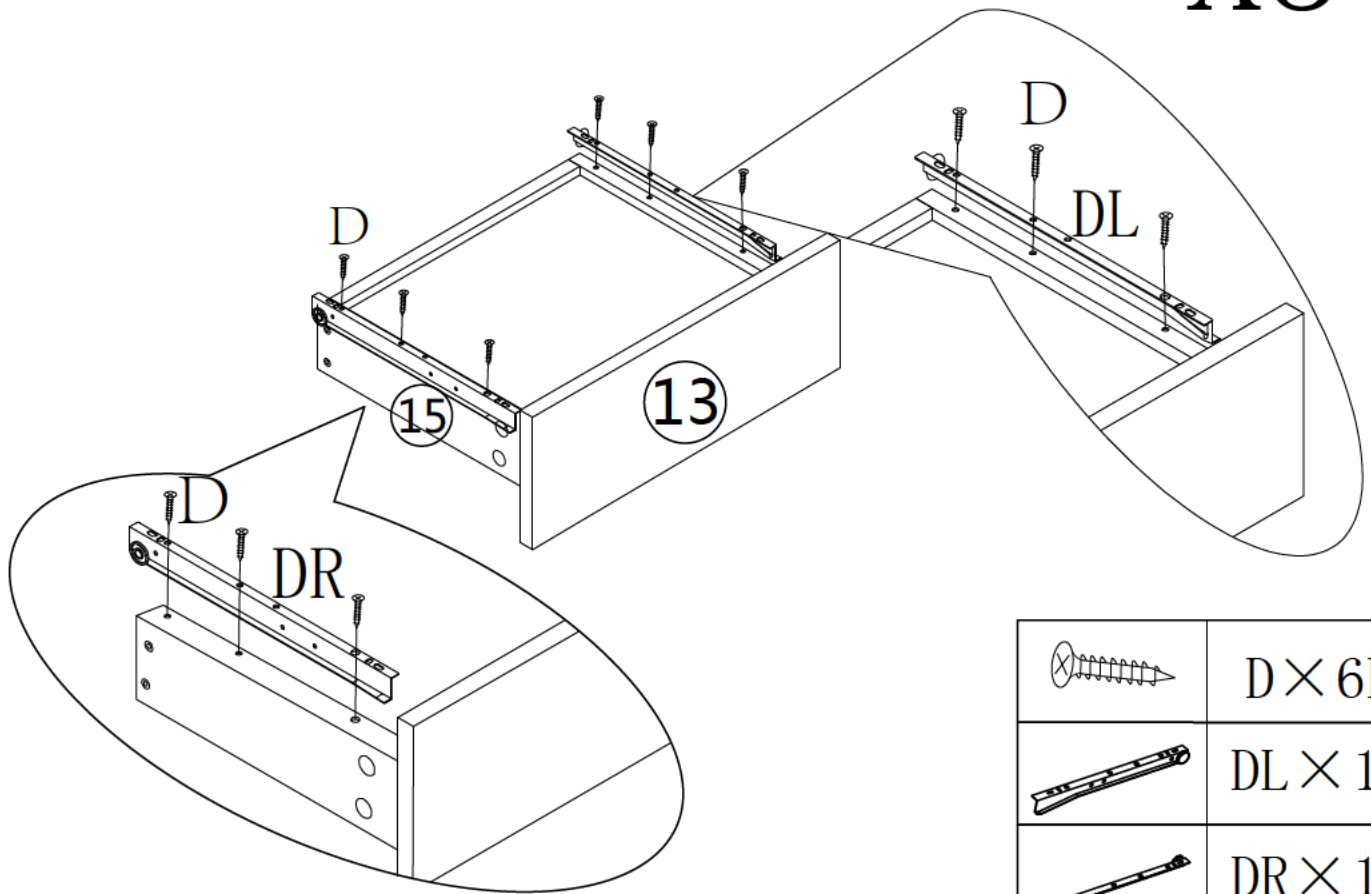
# X3



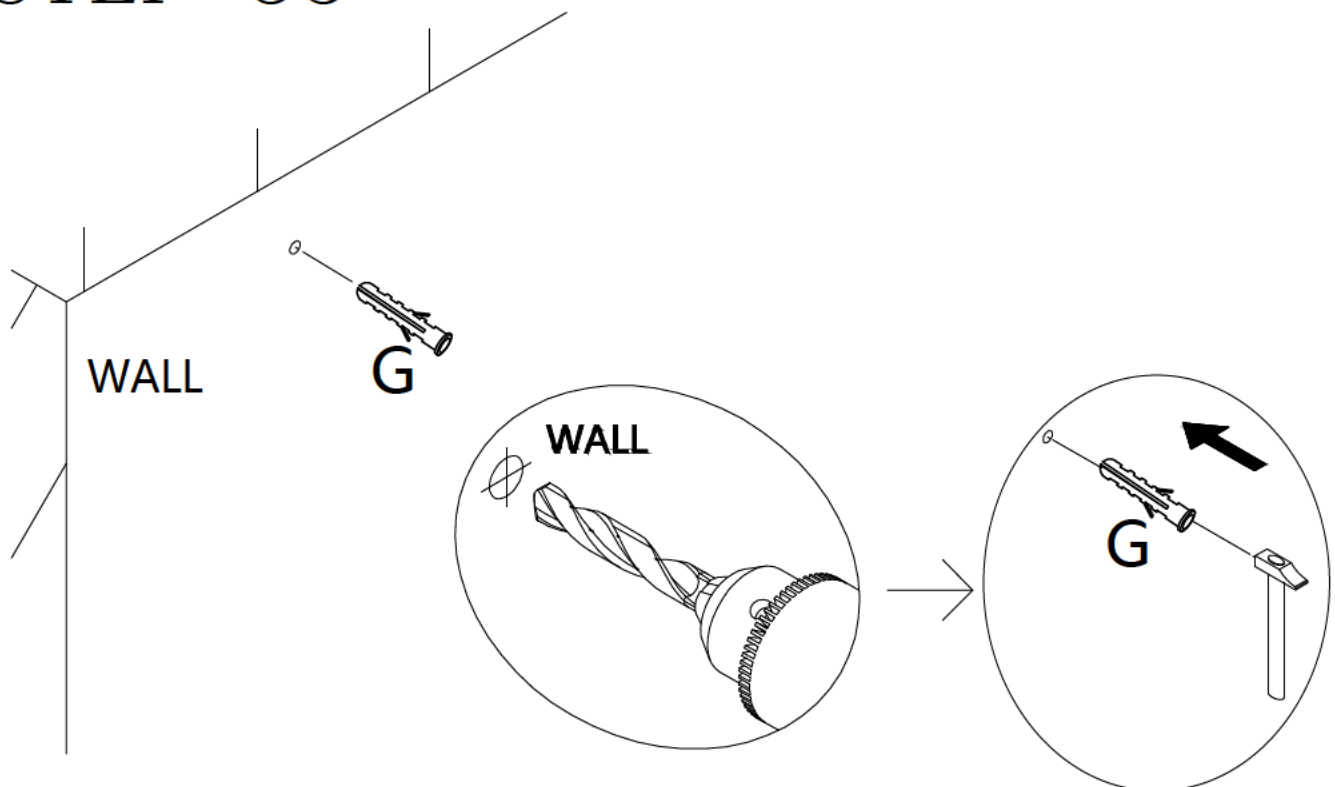
	D × 6PCS
	DL × 1PC
	DR × 1PC

# STEP 34

# X3

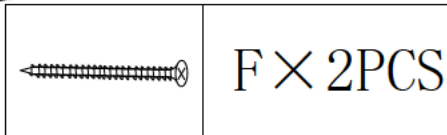
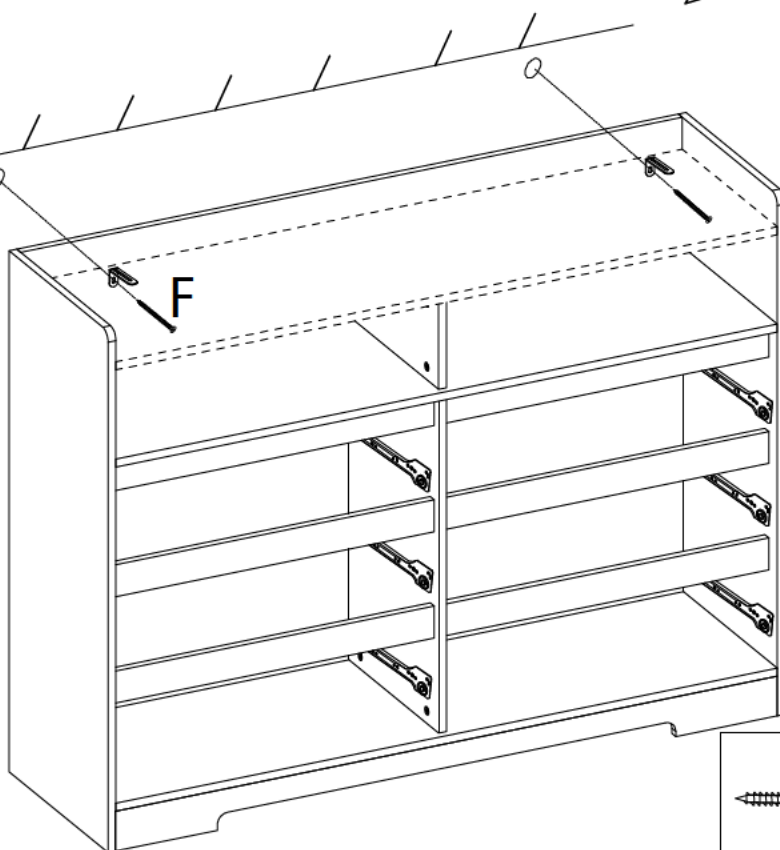


# STEP 35

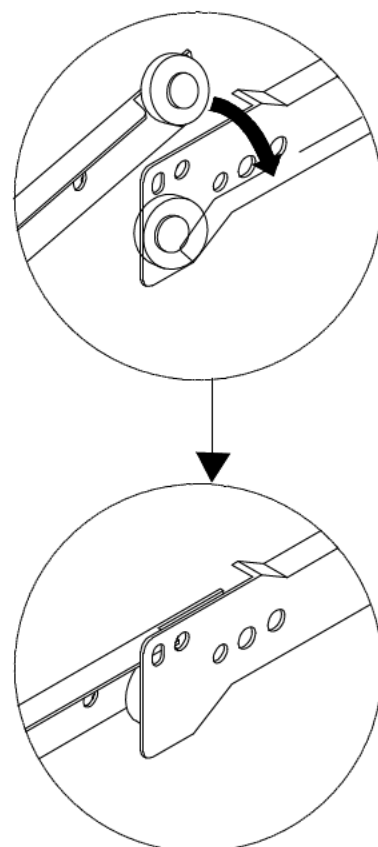
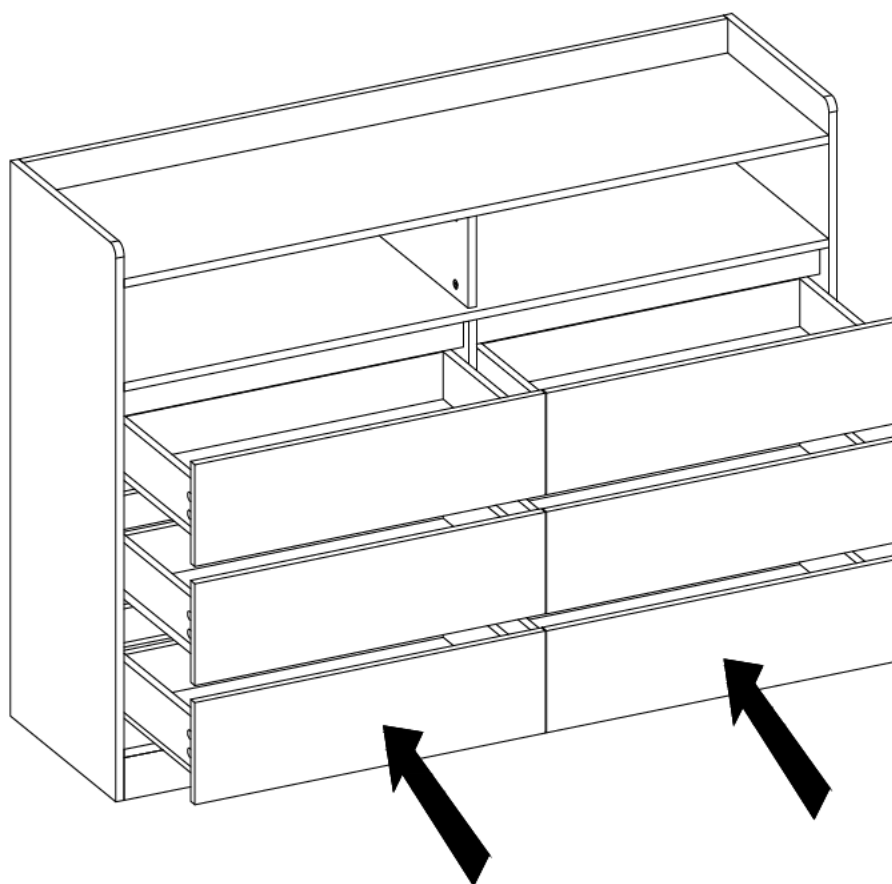


# STEP 36

WALL



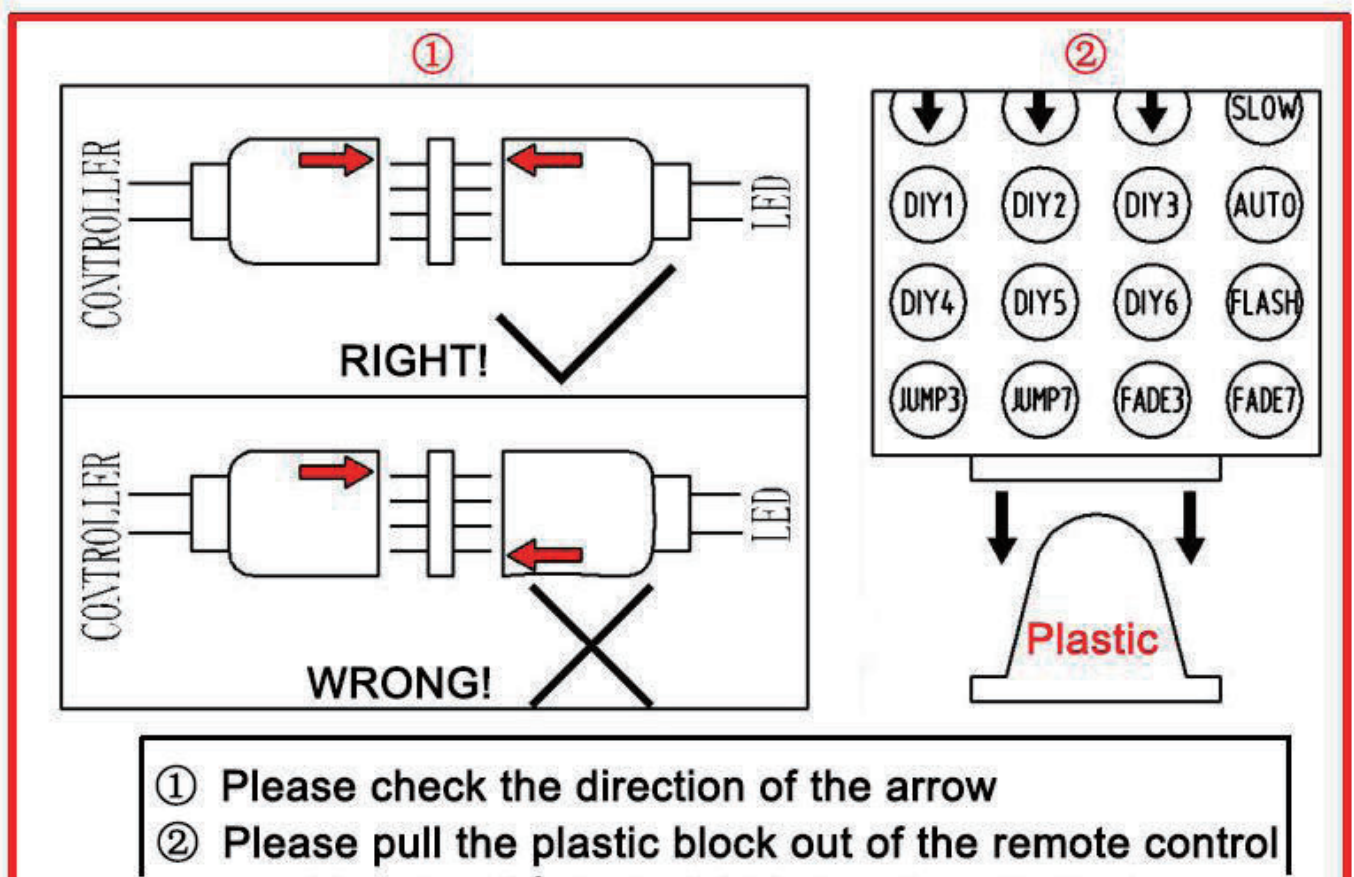
# STEP 37



# LED Light

If you can't let the lights work successfully, please check the following:

1. Please check the direction of the connect, try it in the opposite direction, according to the following picture.
2. Please check the remote control, it need you to tear down the plastic septum before use it.
3. Don't let the remote control too far from the receiver, make sure there is no obstruction between them.



END

