

# NOTICE

- \* Please make sure that you have all parts indicated and they are in good condition before you begin assembly of this item. Refer to part list and hardware list below for guidance.
- \* This item should be assembled on a soft surface to prevent scratching the finish during assembly.
- \* This item may require periodic tightening.


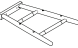
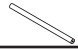
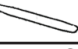
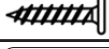


## PREPARATION

- \* Before beginning assembly of product, make sure all parts are present. Compare parts with part contents list and hardware contents list.
- \* If any part is missing or damaged, do not attempt to assemble the product
- \* Estimated assembly time : **20 minutes.**
- \* Tools required for assembly (included) : **Allen key**

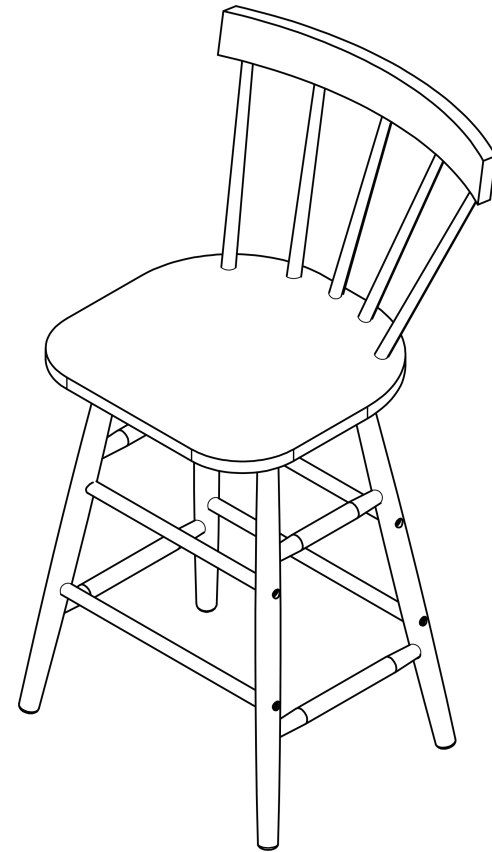
## CARE AND MAINTENANCE

Always use felt pads under all articles to prevent discoloration or softening of the lacquer. Plastic and rubber bases on items can discolor wood. Wipe up spill immediately and avoid common hazards such as hot dishes, harsh solvents and abrasives. Cleaning should be done with a soft lint free cotton cloth dampened with water or furniture polish. On highly used surfaces we recommend applying a quality paste wax which should be used on a regular basis to provide additional protection from scratches and spills. How often you apply the wax depends on how much wear the furniture receives.

### Part List and Hardware List

PIECE	DESCRIPTION	PICTURE	QUANTITY
A	Seat Frame		1x
B	Leg Frame		2x
C	Stretchers (Short)		2x
D	Stretchers (Long)		2x
HW 1	JcbcW Bolt M7x3.0x40mm		12x
HW 2	Allen key		1x
HW 3	Wood Button		8x

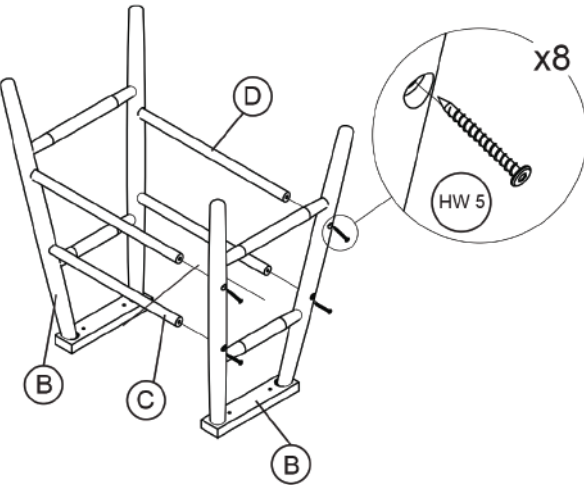
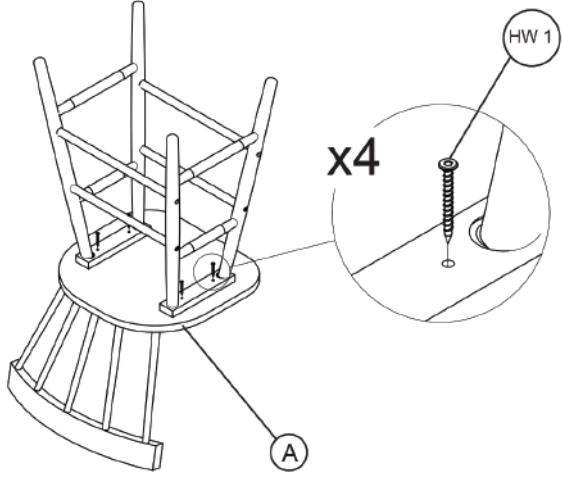
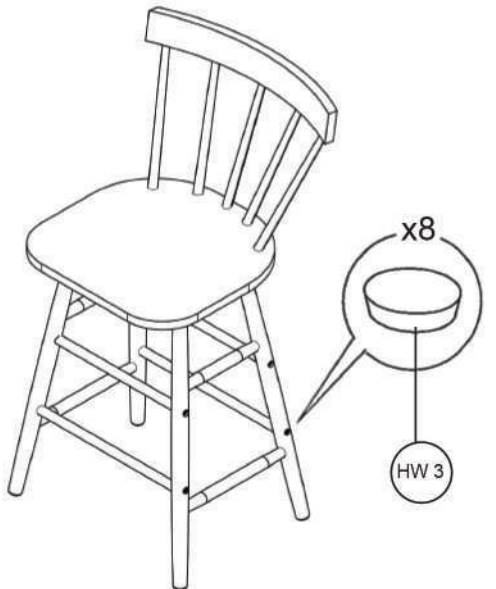
Product Dimensions : 17.51" W x 17.12" D x 36.22" H



Weight capacity - 236 LBS  
Warning : Do not stand on chair.  
Warning : Do not over torque bolts.

## PREPARATION

- \* Before beginning assembly of product, make sure all parts are present. Compare parts with part contents list and hardware contents list.
- \* If any part is missing or damaged, do not attempt to assemble the product.
- \* Estimated assembly time : 20 minutes
- \* Tools required for assembly (included) : Allen key

		
<p><b>Step 1</b> : Screw both left and right leg to the stretchers (long and short).</p>	<p><b>Step 2</b> : Place the assembled leg (step 1) to the seat frame.</p>	<p><b>Step 3</b> : Upright the chair and place the wood button to cover the screw hole.</p>