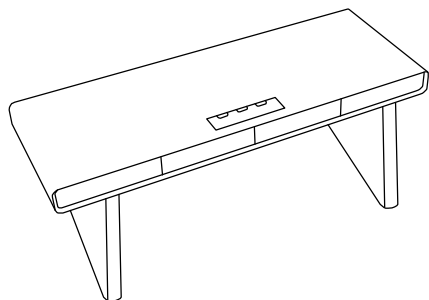
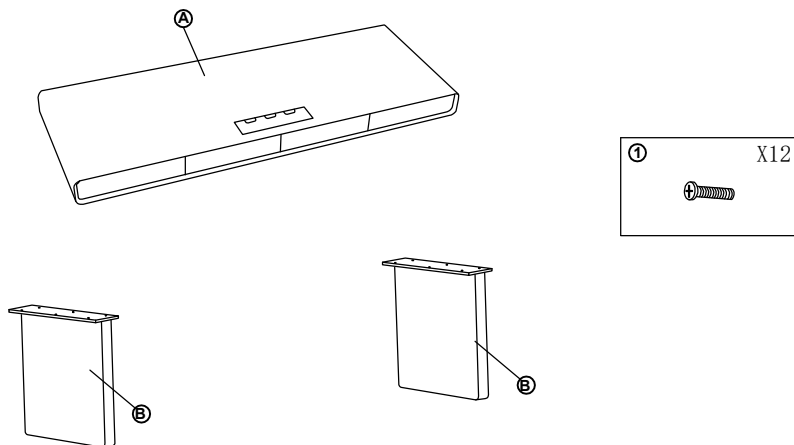


ASSEMBLY INSTRUCTIONS

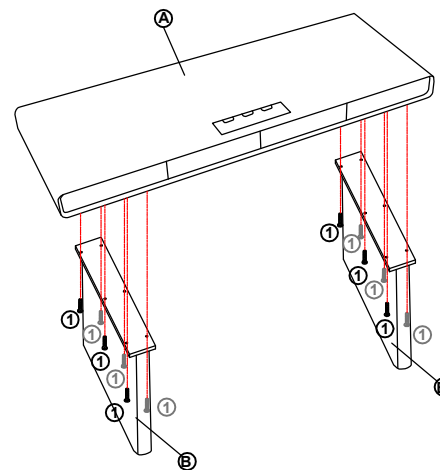


PART LIST

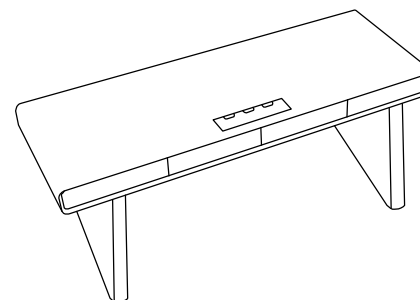


1-2

STEP 1



STEP 2



2-2