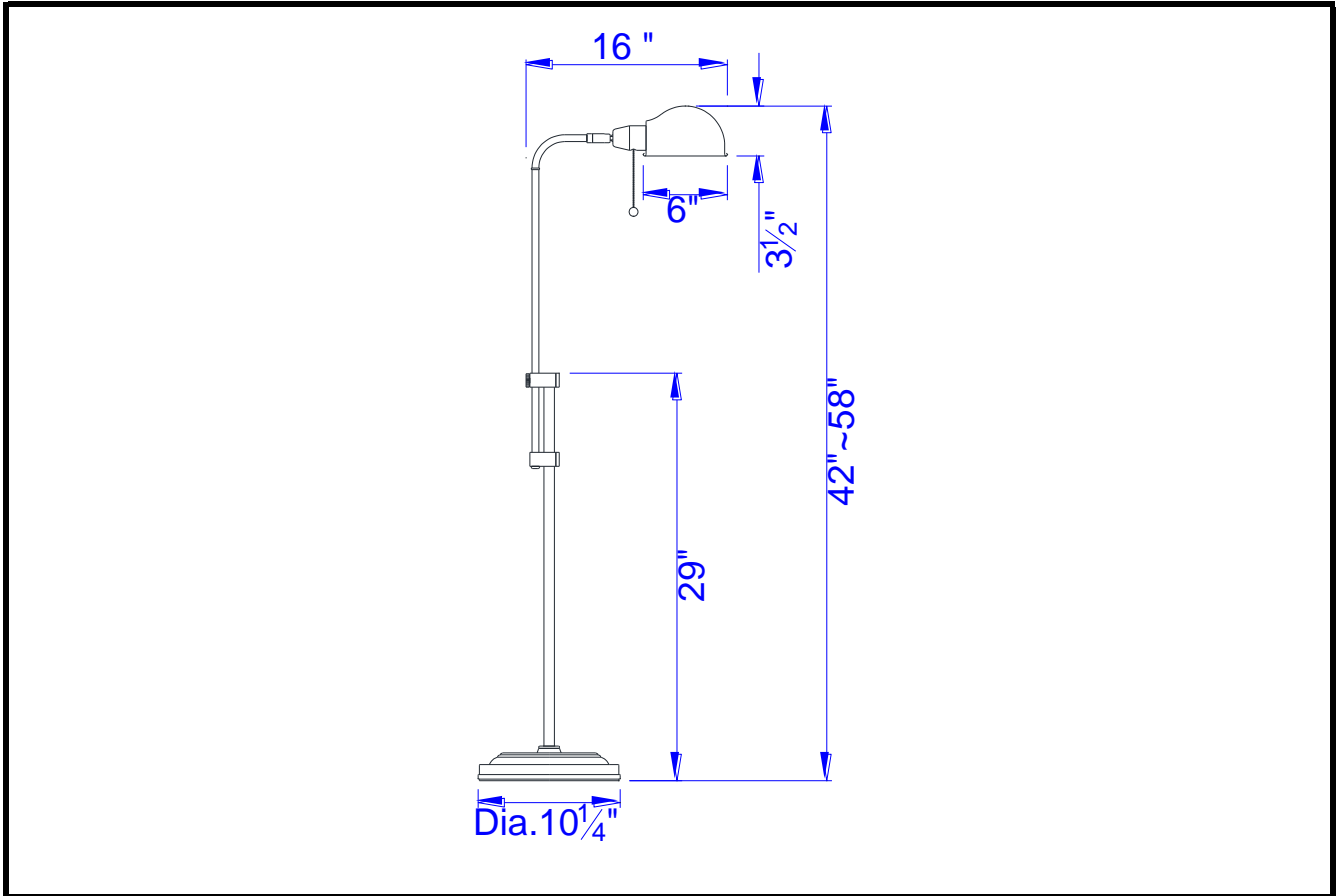


Type: \_\_\_\_\_  
Project: \_\_\_\_\_  
Catalog No.: \_\_\_\_\_  
Lamp/Wattage: \_\_\_\_\_



**Description:** Metal Floor Lamp  
**Material:** Metal  
**Finish :** RU (Rust)  
**Height:** 42~58"  
**Base Width:** Dia. 10 1/4"  
**Wattage :** 60W  
**Socket :** Medium Base (E27)  
**Switch:** On/off Pull-chain  
**Bulb:** Incandescent, CFL  
**Wire Length:** 6'  
**Wire Color:** Brown  
**Material:** Metal  
**Shade size:** Dia.6"xH3 1/2"

**Certificate :** 