

Assembly Instruction

Decorate your home, Brighten wonderful life

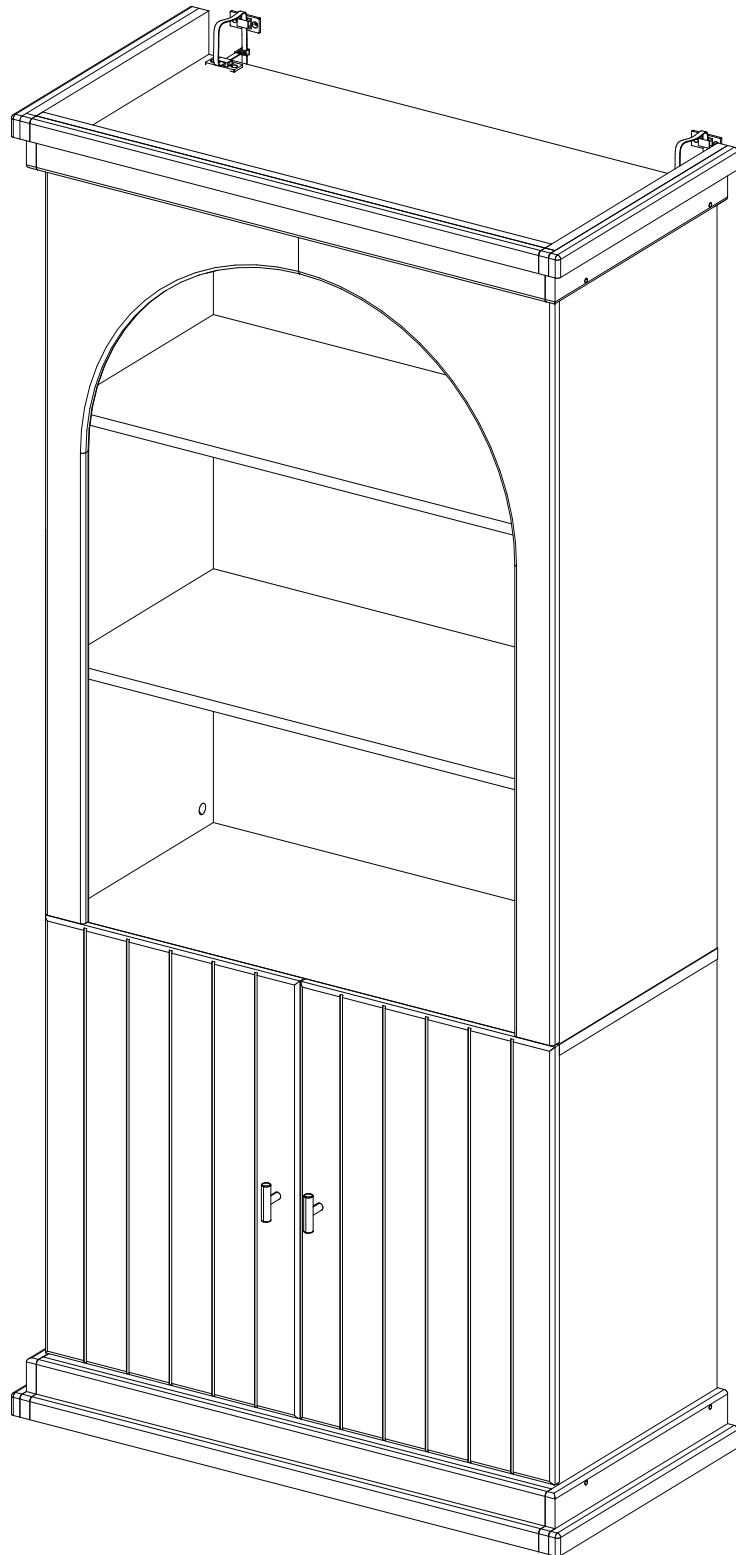
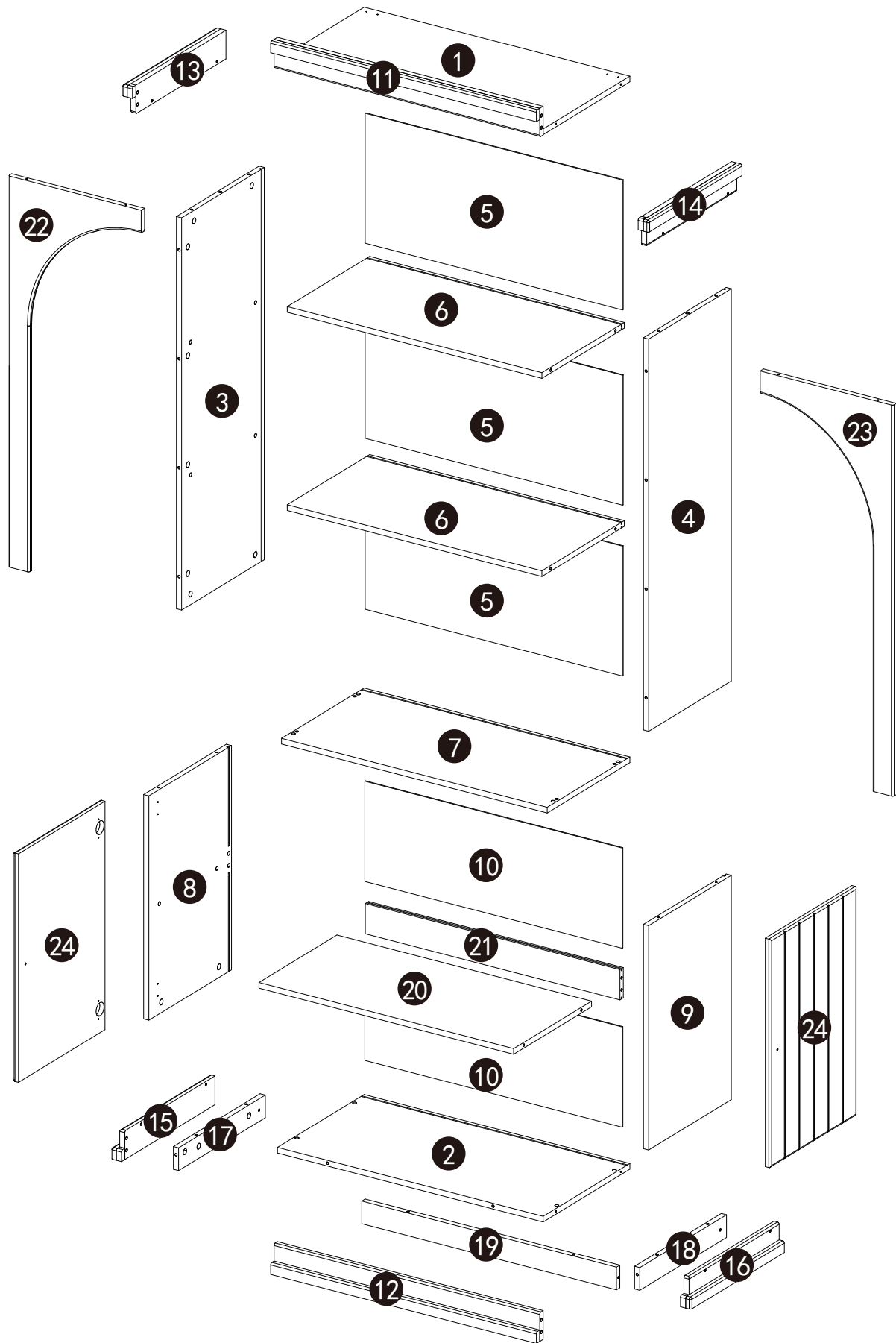
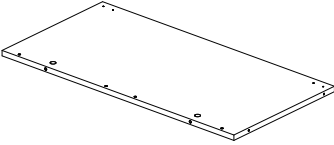

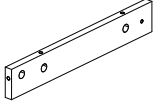
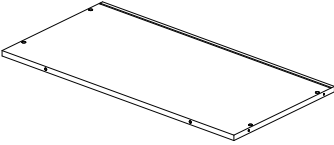
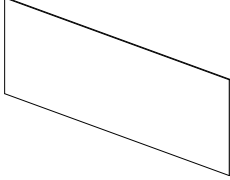
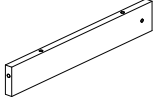

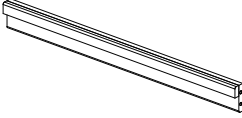
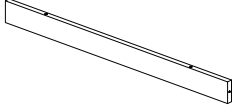

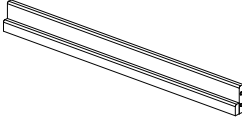
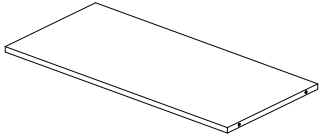
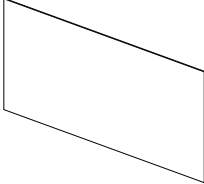
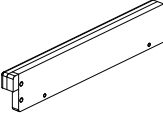
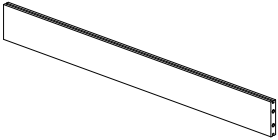
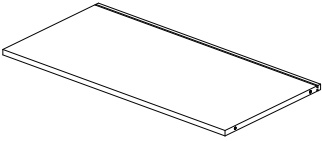
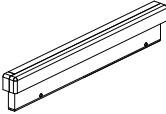
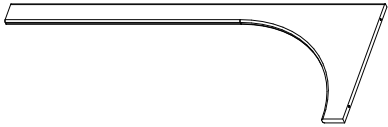
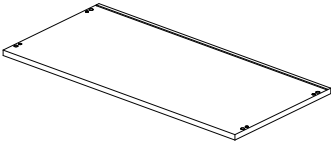
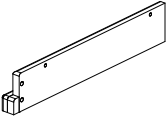

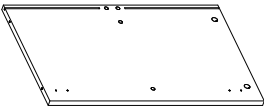
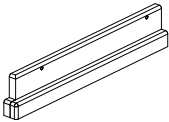



Plate number



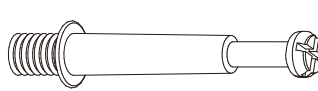
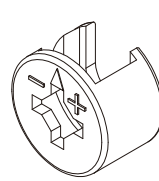
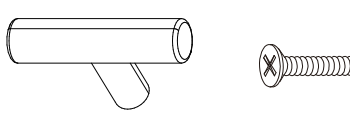
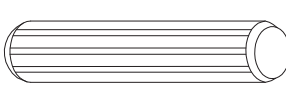
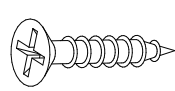
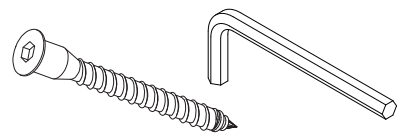
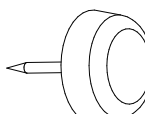
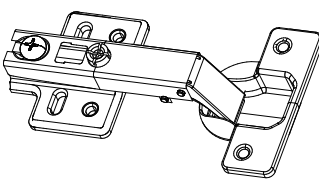
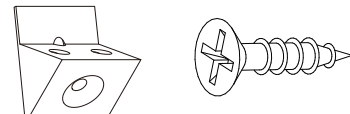
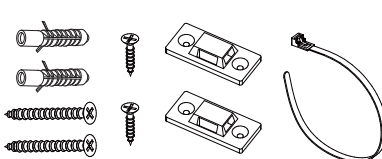
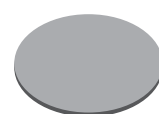
PARTS LIST

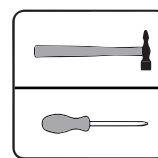
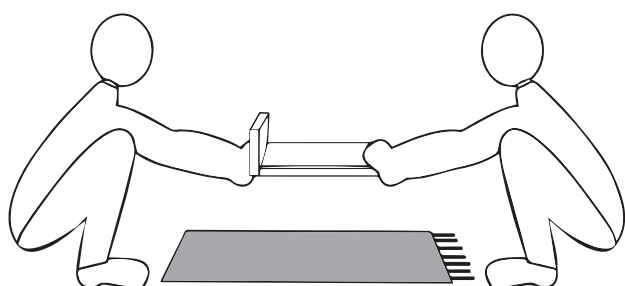
Unit: (mm)

<p>1 x1 PC</p> 	<p>9 x1 PC</p> 	<p>17 x1 PC</p> 
<p>2 x1 PC</p> 	<p>10 x2 PC</p> 	<p>18 x1 PC</p> 
<p>3 x1 PC</p> 	<p>11 x1 PC</p> 	<p>19 x1 PC</p> 
<p>4 x1 PC</p> 	<p>12 x1 PC</p> 	<p>20 x1 PC</p> 
<p>5 x3 PC</p> 	<p>13 x1 PC</p> 	<p>21 x1 PC</p> 
<p>6 x2 PC</p> 	<p>14 x1 PC</p> 	<p>22 x1 PC</p> 
<p>7 x1 PC</p> 	<p>15 x1 PC</p> 	<p>23 x1 PC</p> 
<p>8 x1 PC</p> 	<p>16 x1 PC</p> 	<p>24 x2 PC</p> 

ACCESSORIES LIST

Unit: (mm)

<p>A 6x35</p>  <p>x48 PC</p>	<p>B 15x10</p>  <p>x48 PC</p>	<p>C M4x22</p>  <p>x2 PC</p>
<p>D 8x40</p>  <p>x10 PC</p>	<p>E M3.5x14</p>  <p>x24 PC</p>	<p>F M5x40 / #3</p>  <p>x18 PC/x1 PC</p>
<p>G Ø12x5</p>  <p>x12 PC</p>	<p>H</p>  <p>x4 PC</p>	<p>J M3x14</p>  <p>x30 PC</p>
<p>K</p>  <p>x2 PC</p>	<p>L</p>  <p>x32 PC</p>	



INSTALLATION INSTRUCTION

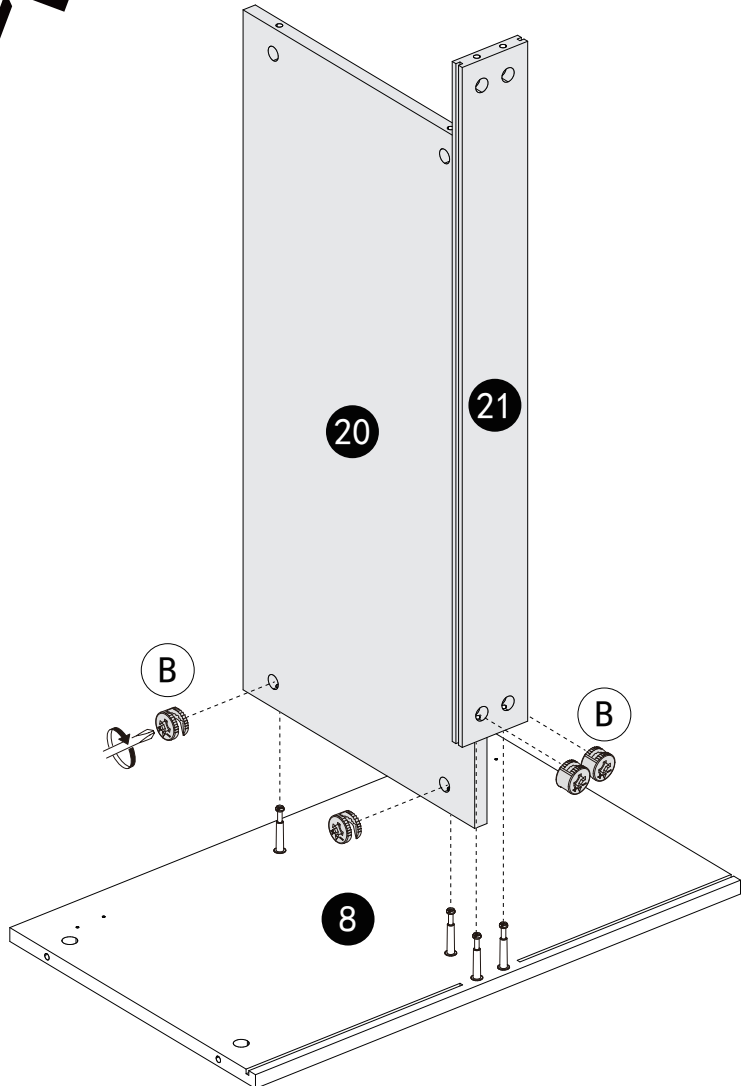
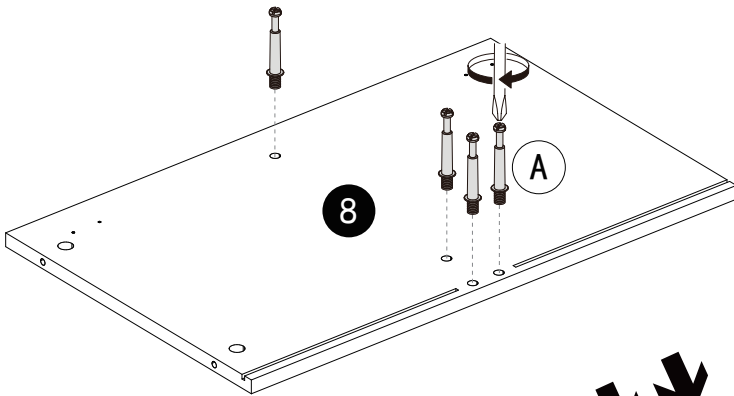
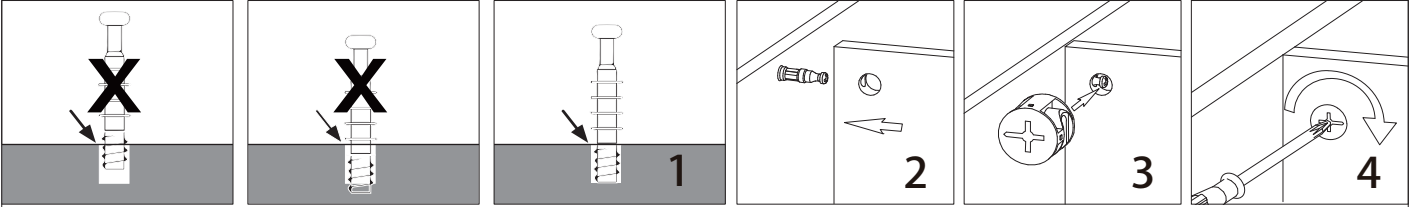
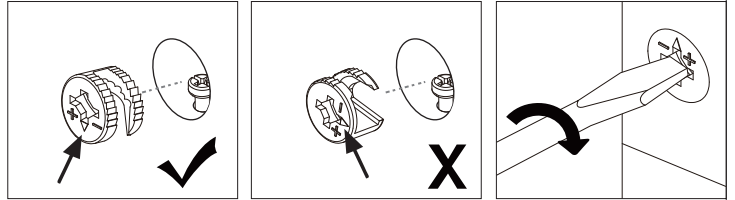
STEP 1

YOU WILL NEED

A x4

B x4

Installation method of three in one rod and buckle

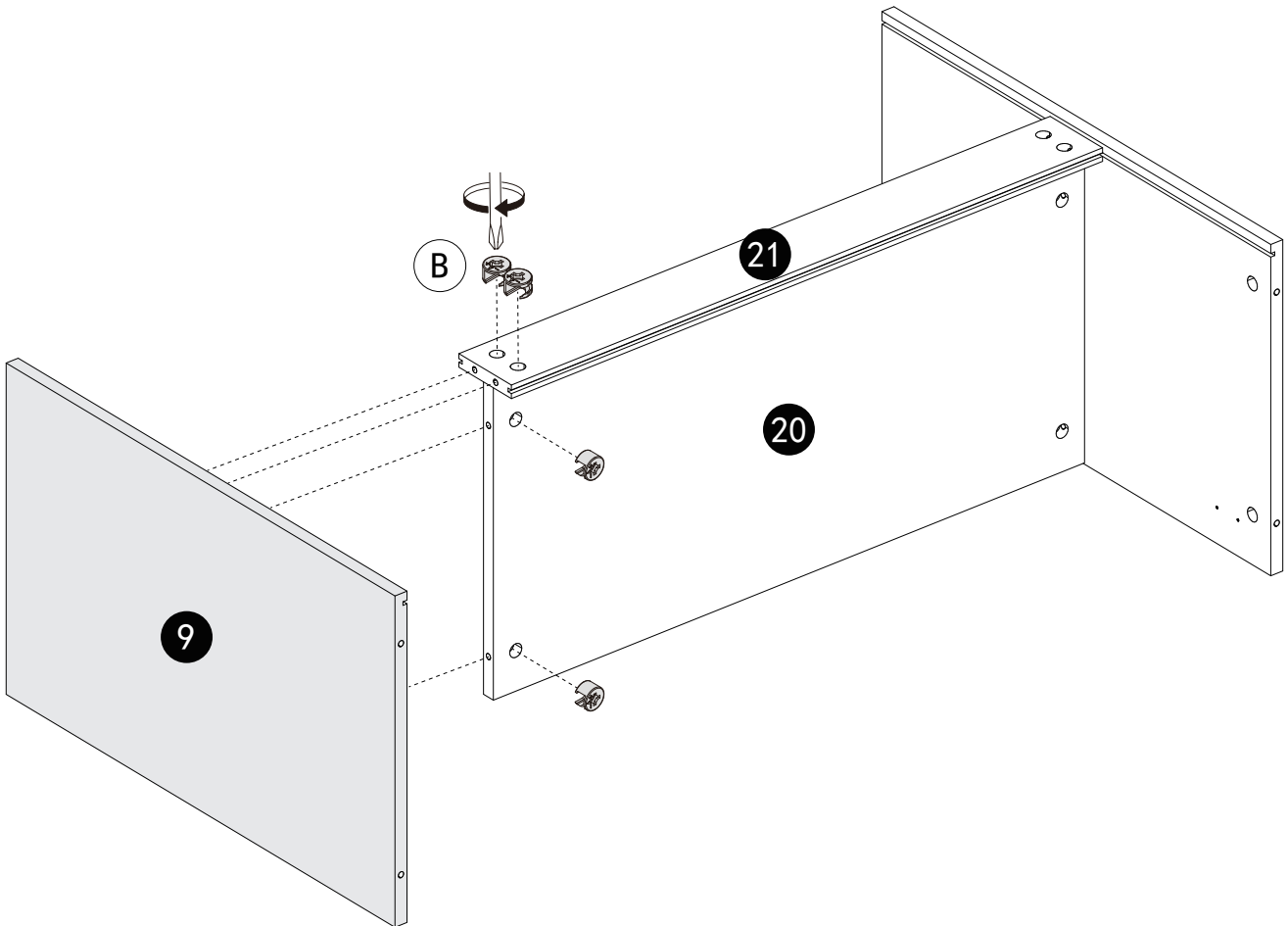
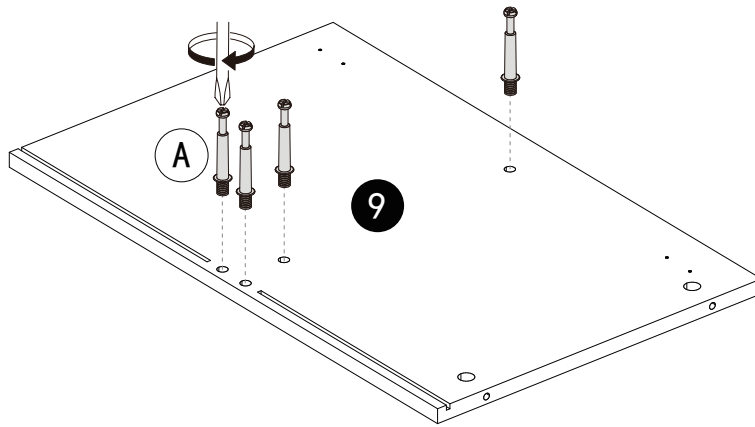


STEP 2

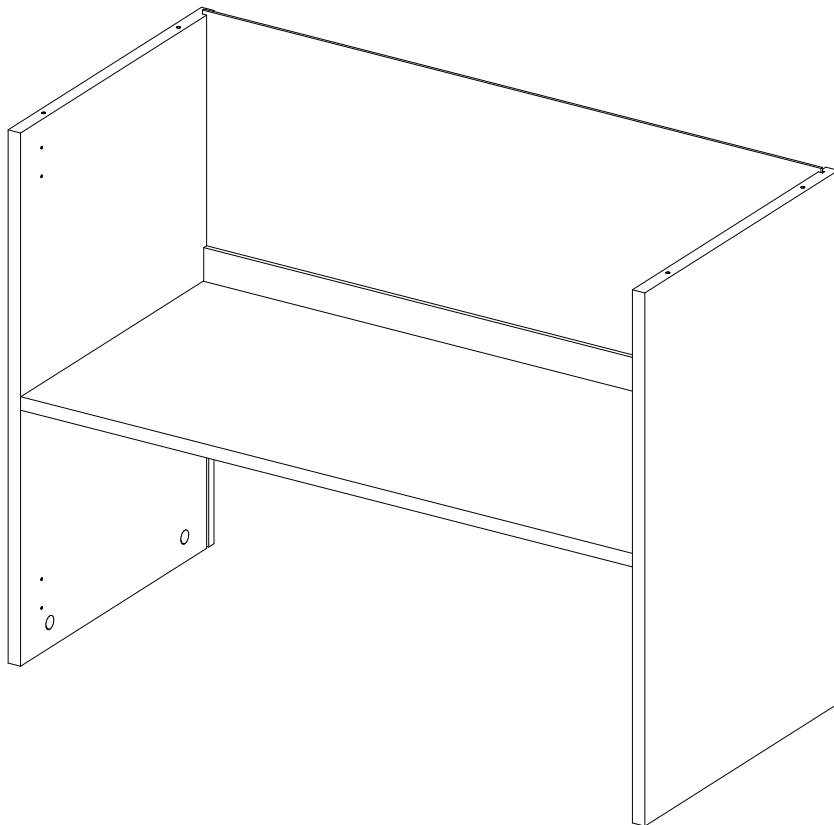
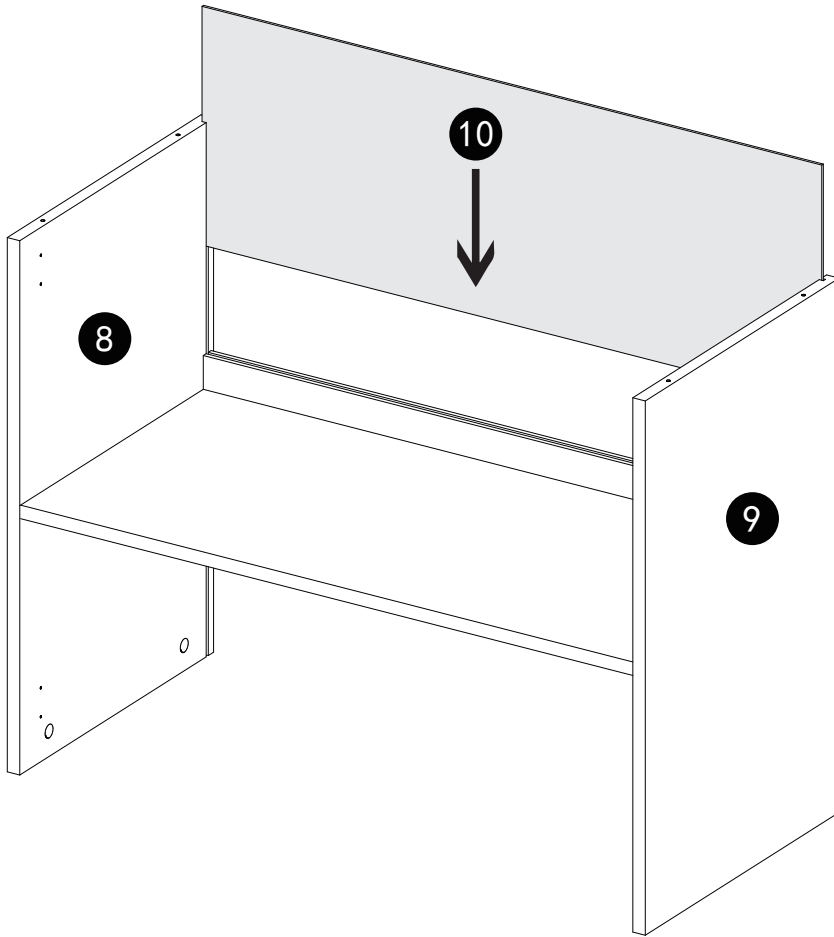
YOU WILL NEED

A x4

B x4



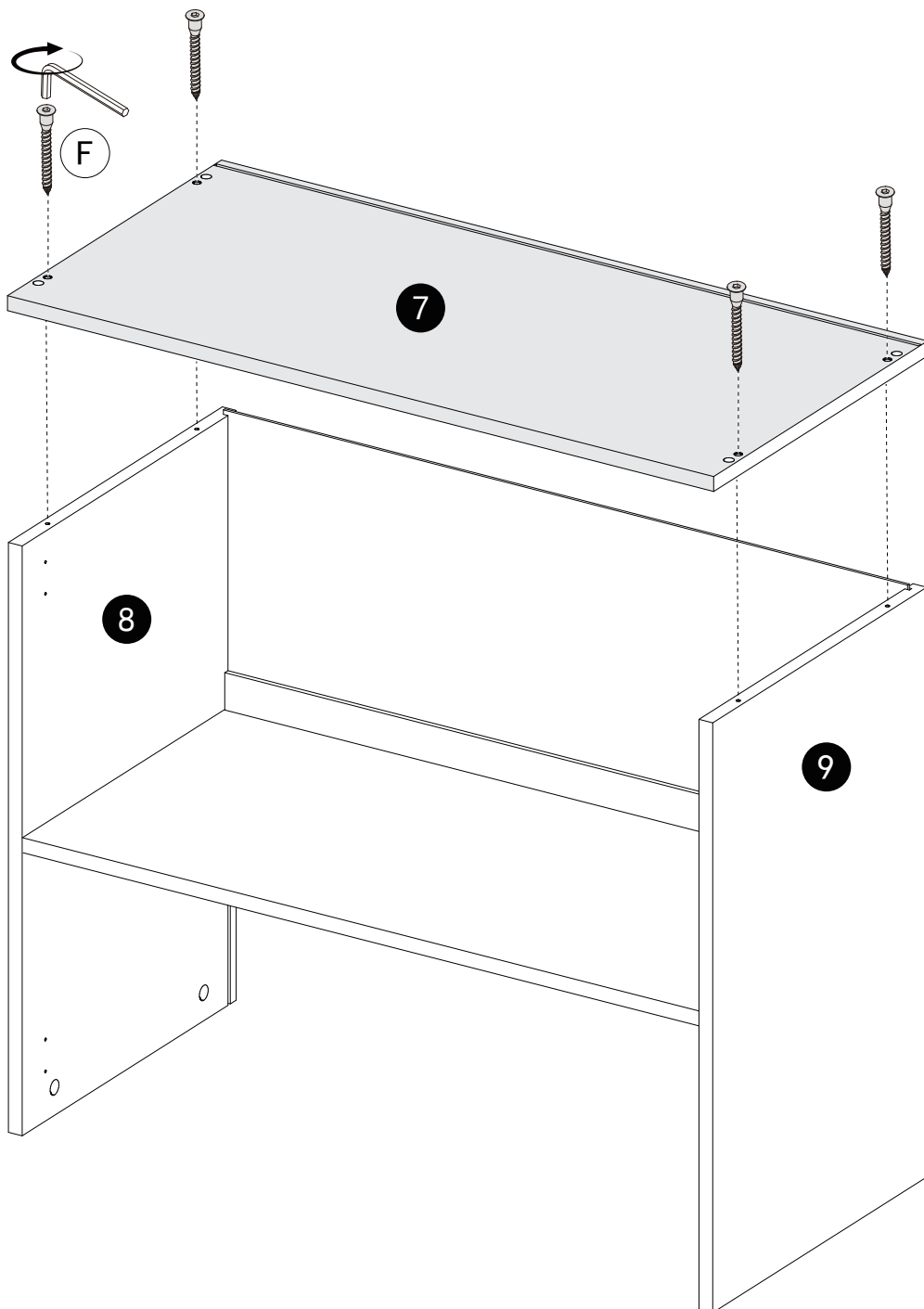
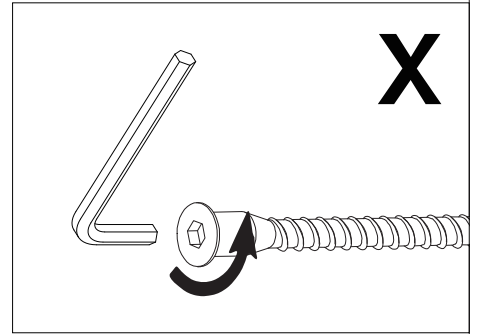
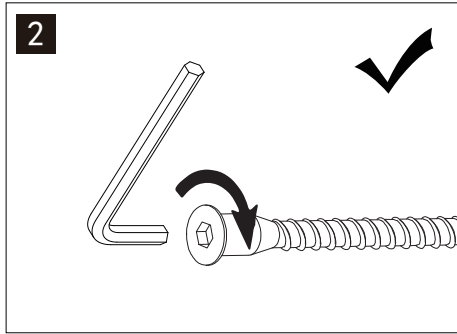
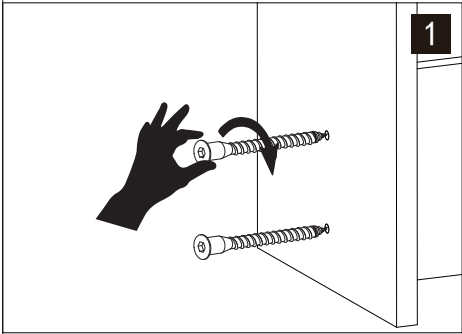
STEP 3



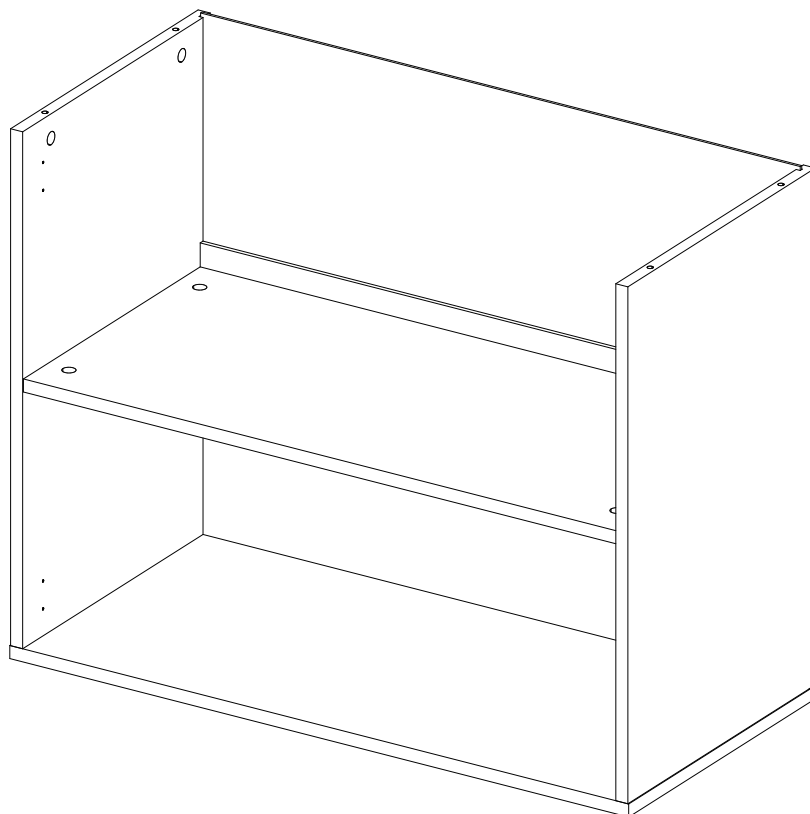
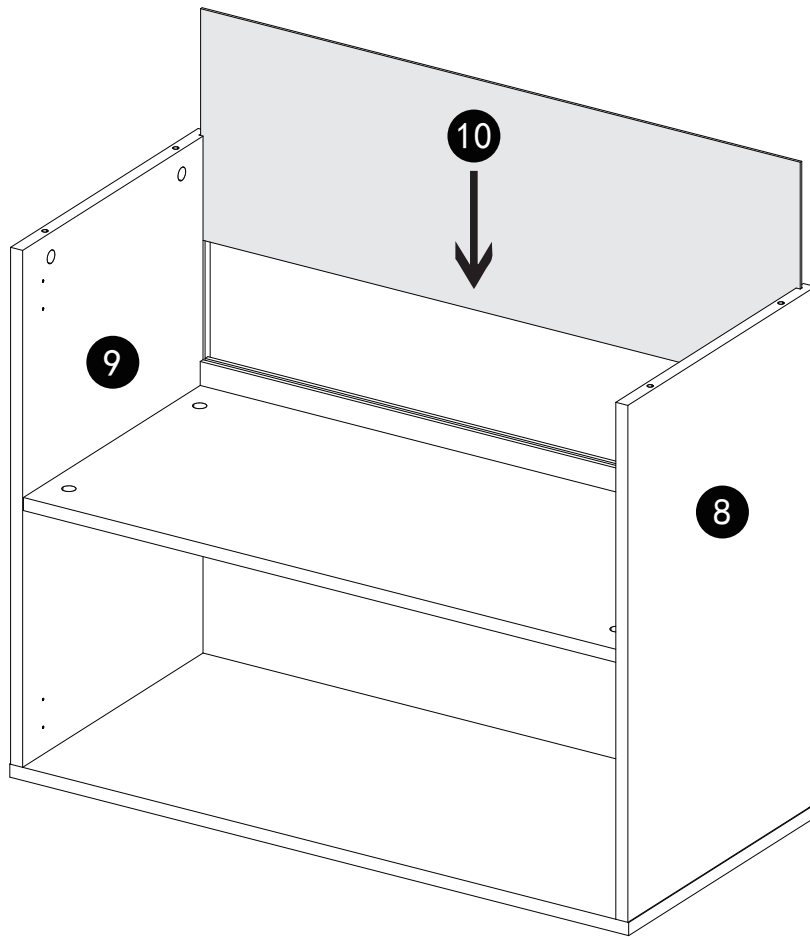
STEP 4

YOU WILL NEED

F x4



STEP 5

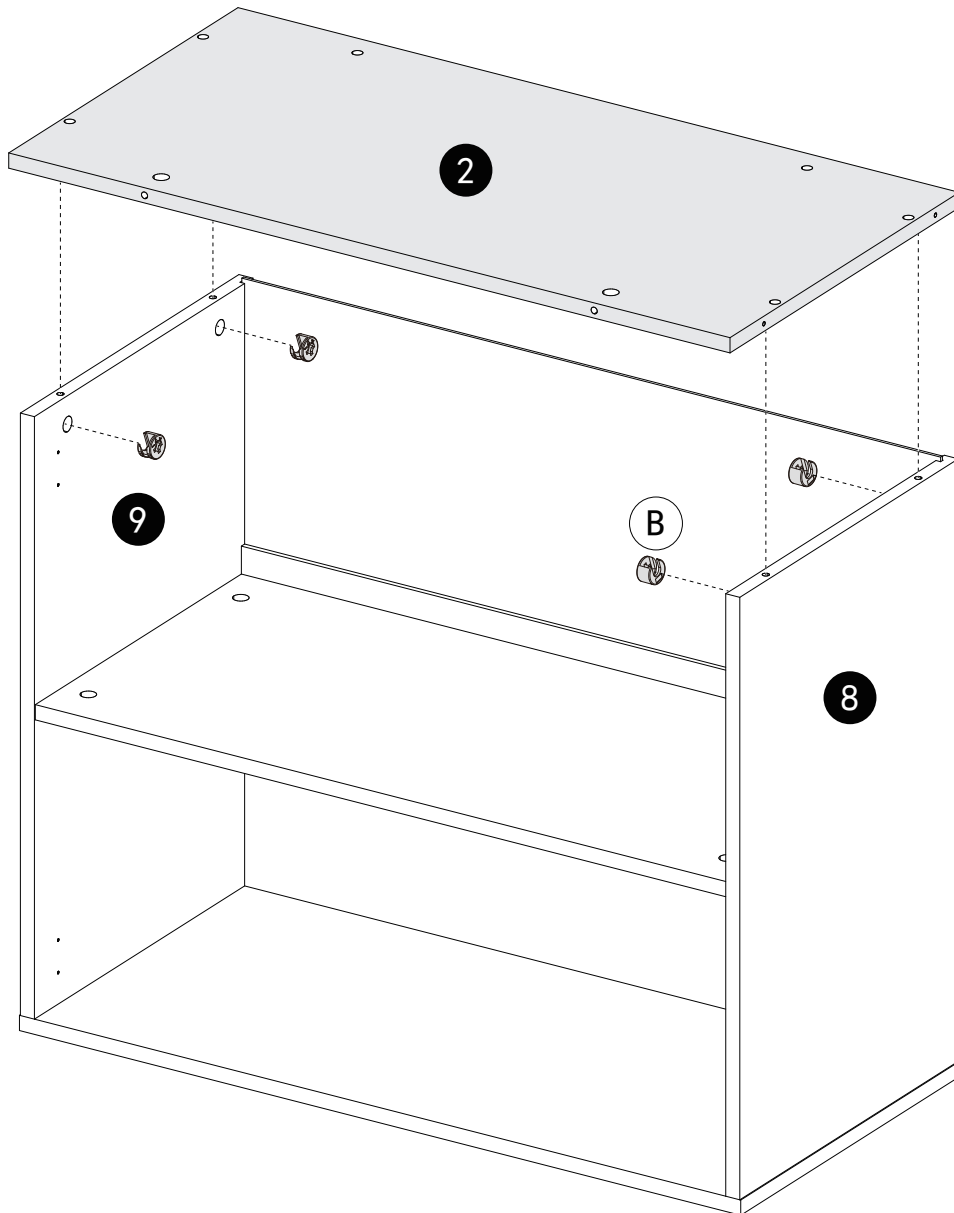
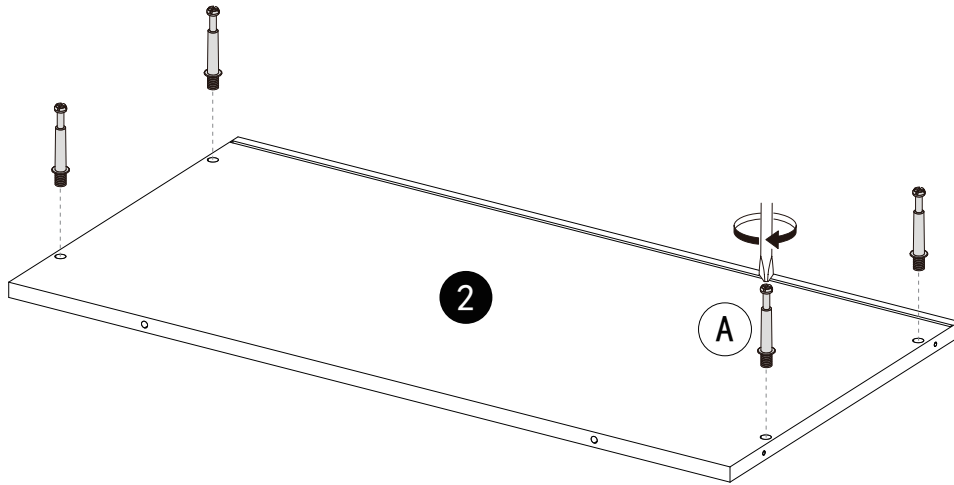


STEP 6

YOU WILL NEED

A x4

B x4

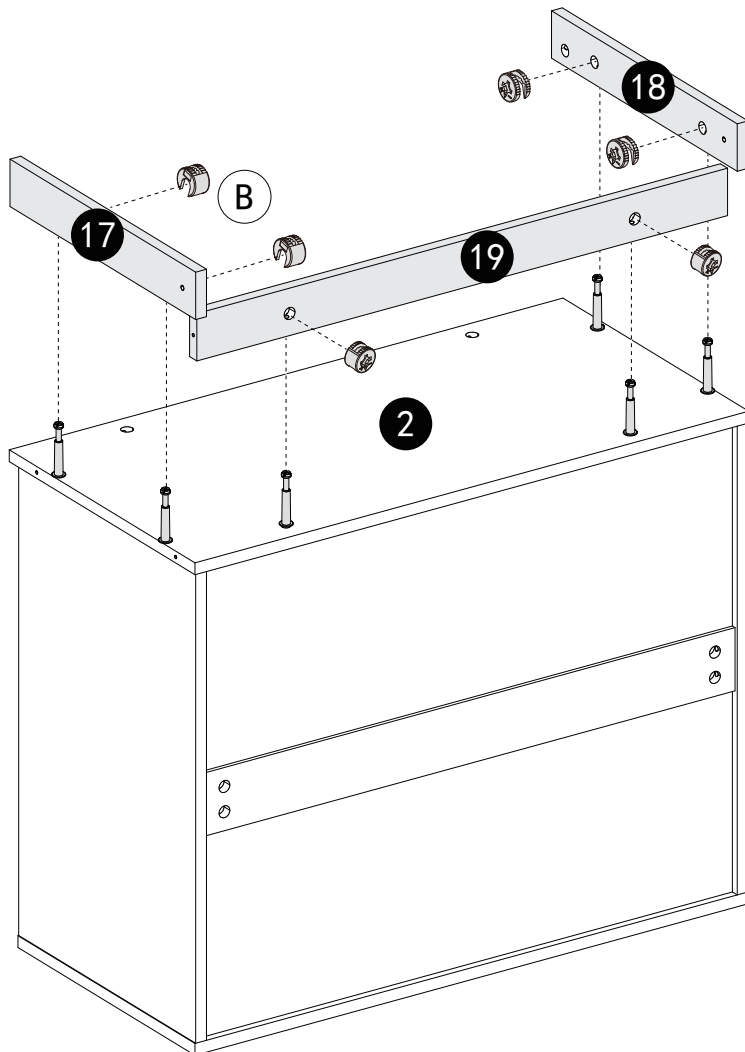
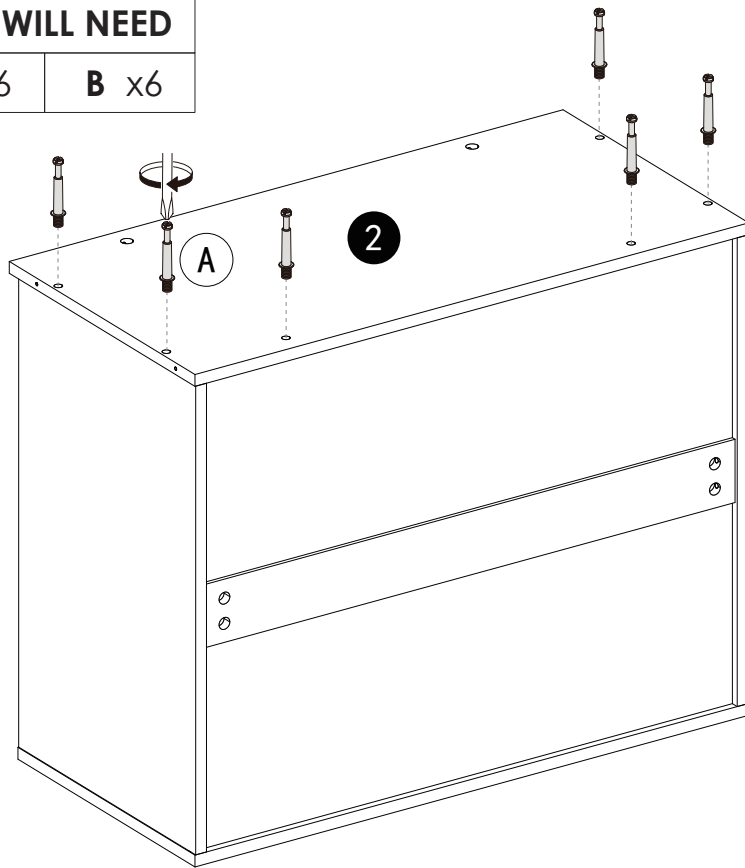


STEP 7

YOU WILL NEED

A x6

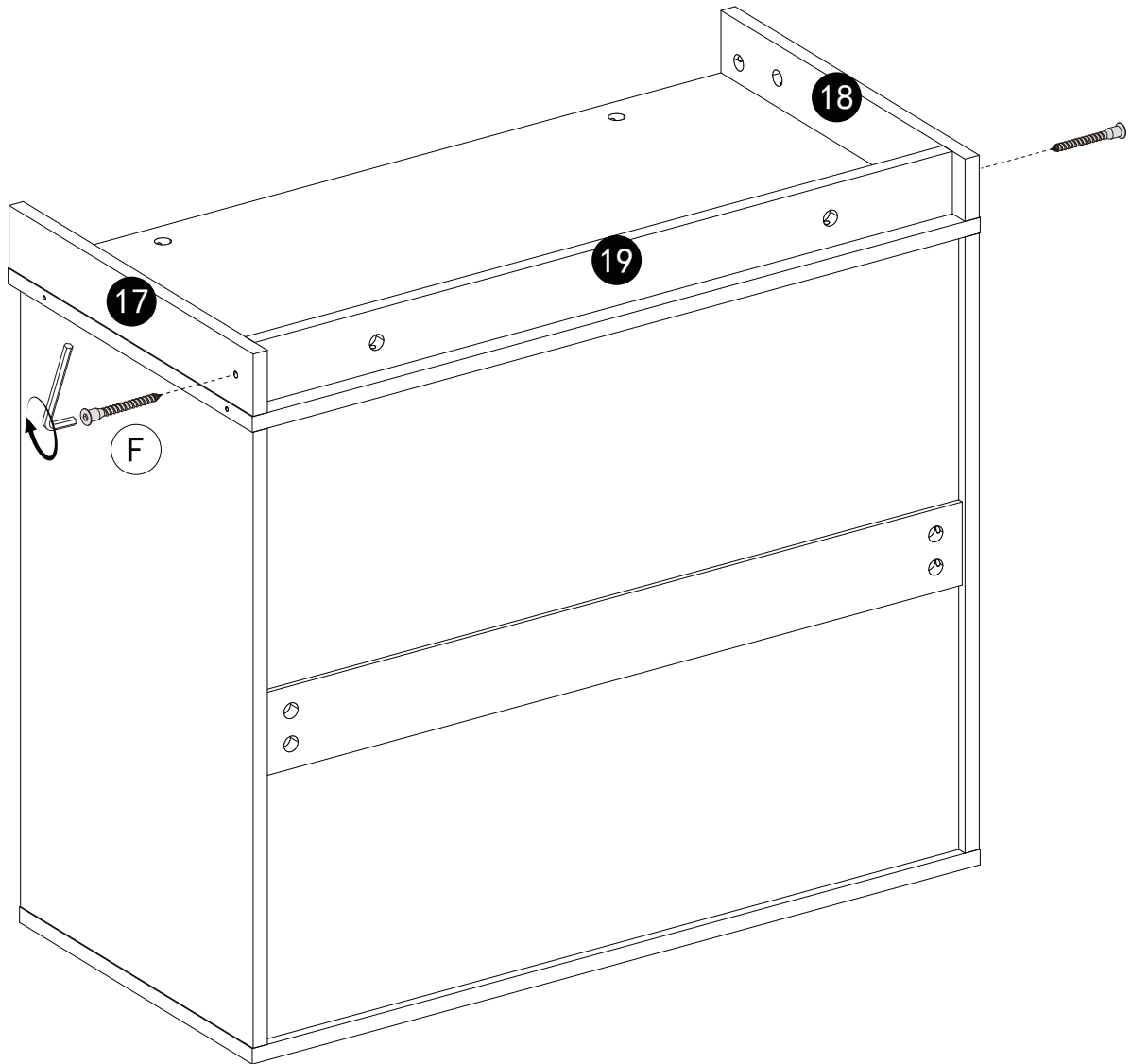
B x6



STEP 8

YOU WILL NEED

F x2



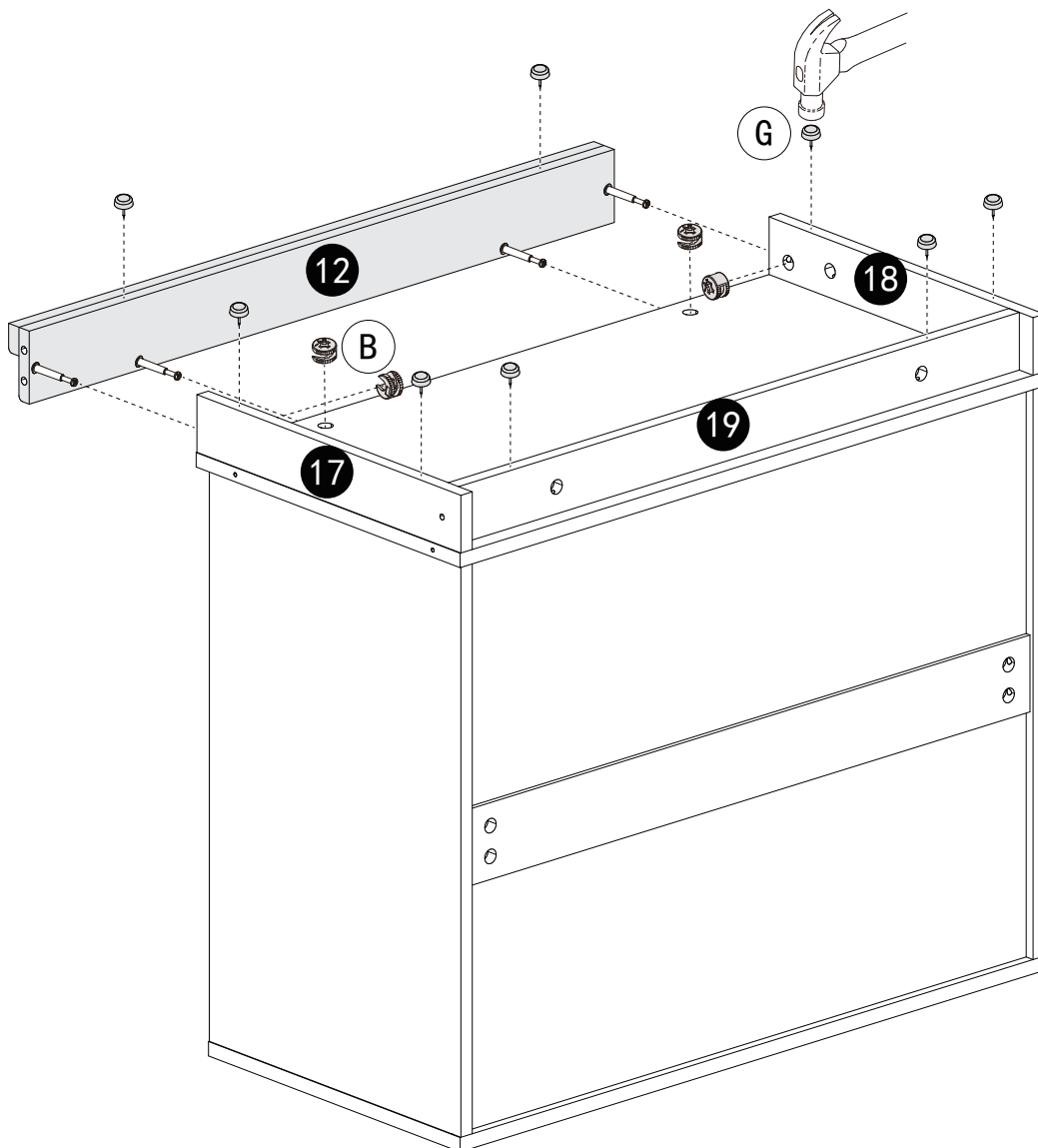
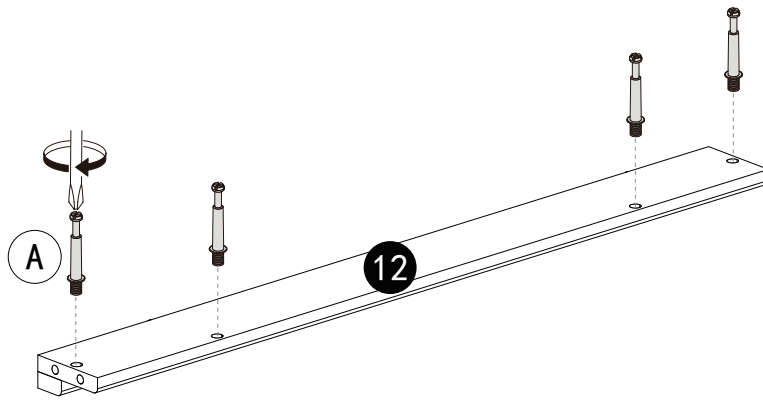
STEP 9

YOU WILL NEED

A x4

B x4

G x8

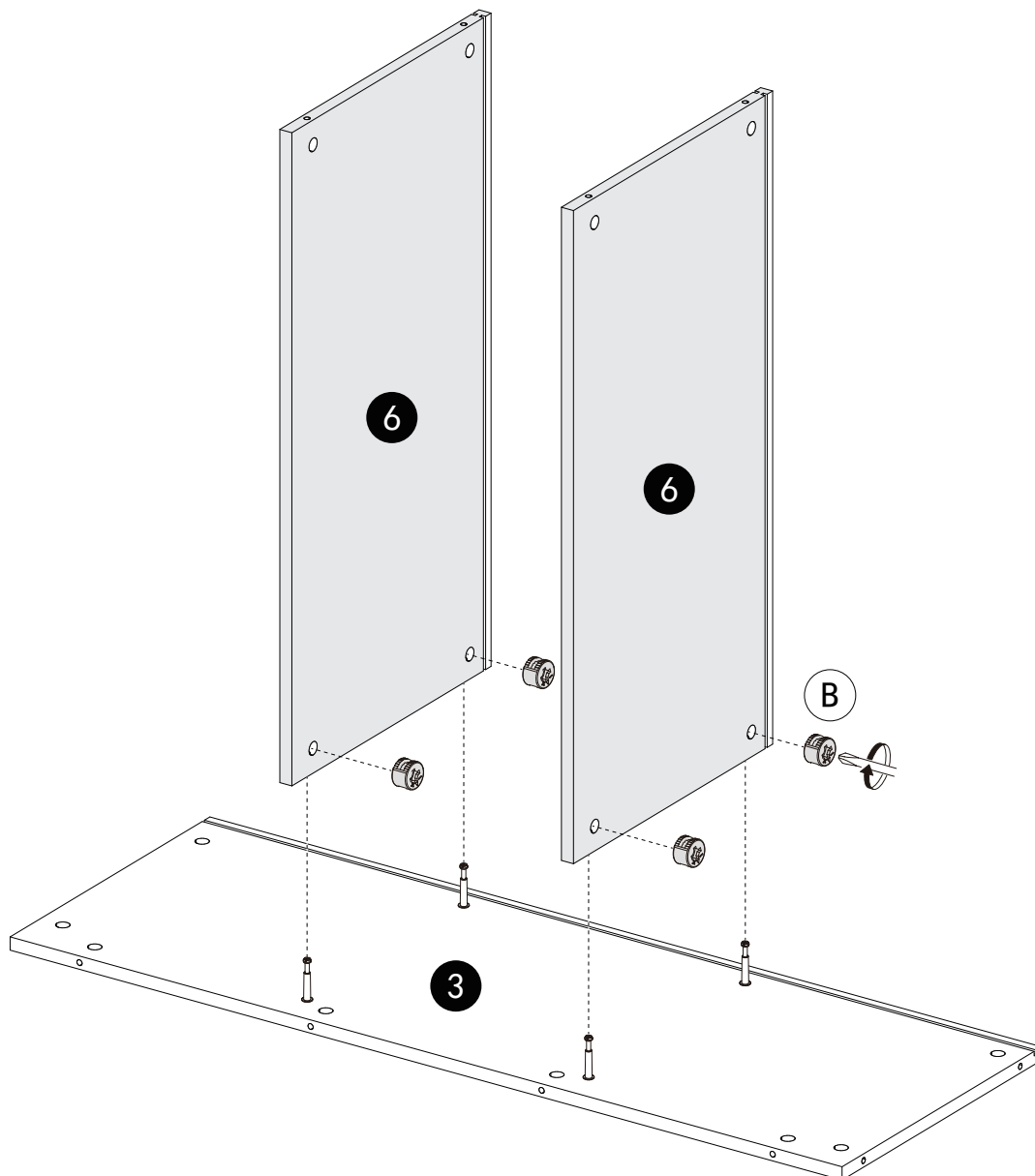
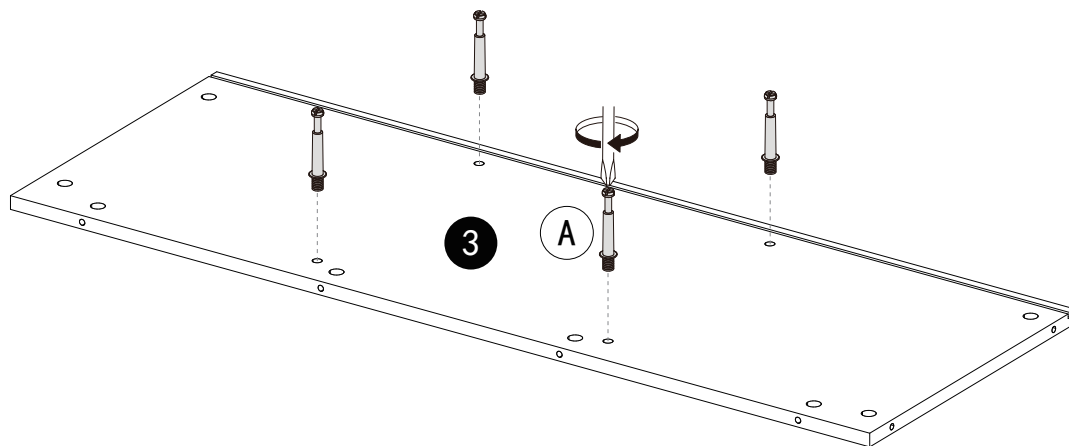


STEP 10

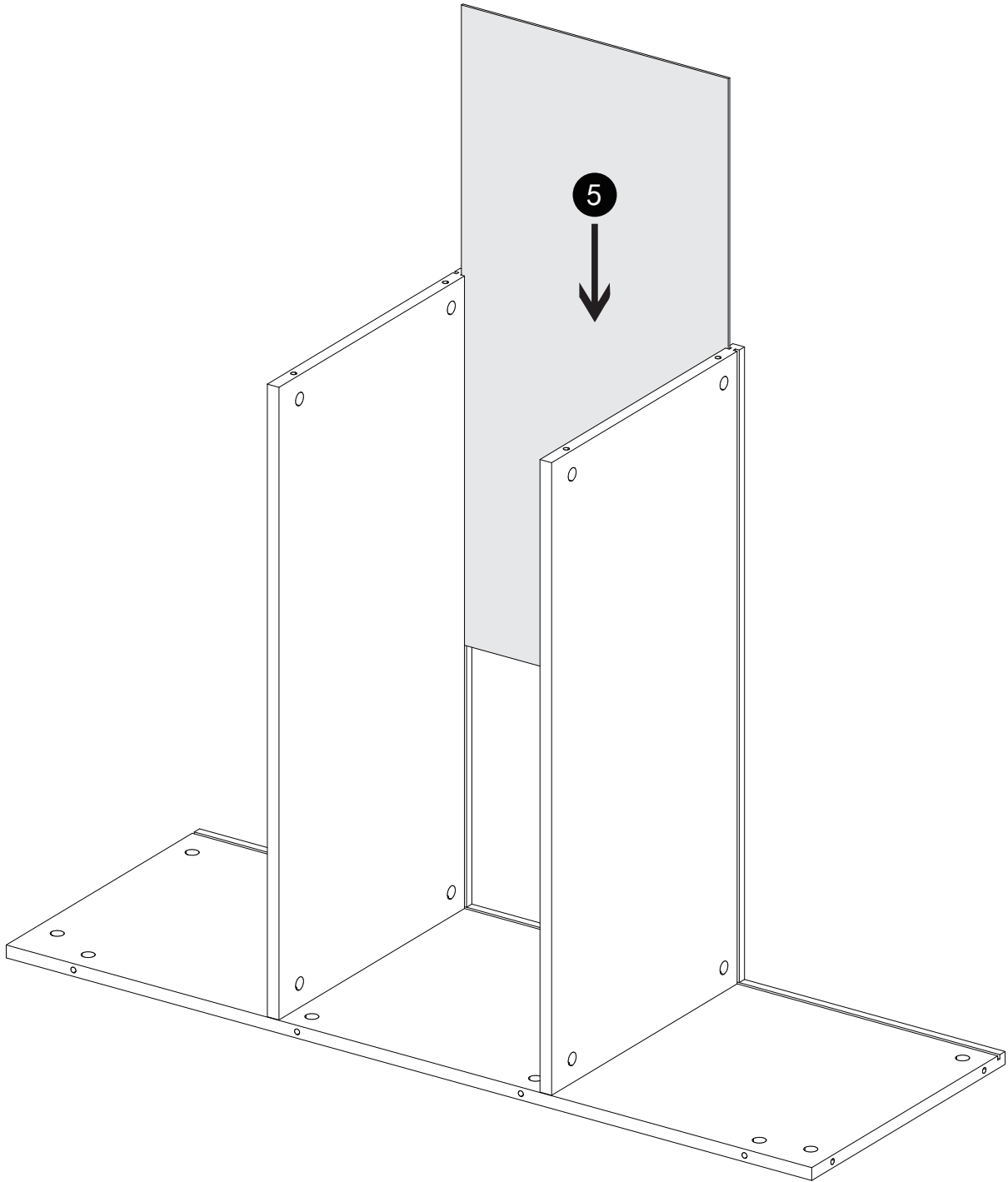
YOU WILL NEED

A x4

B x4



STEP 11

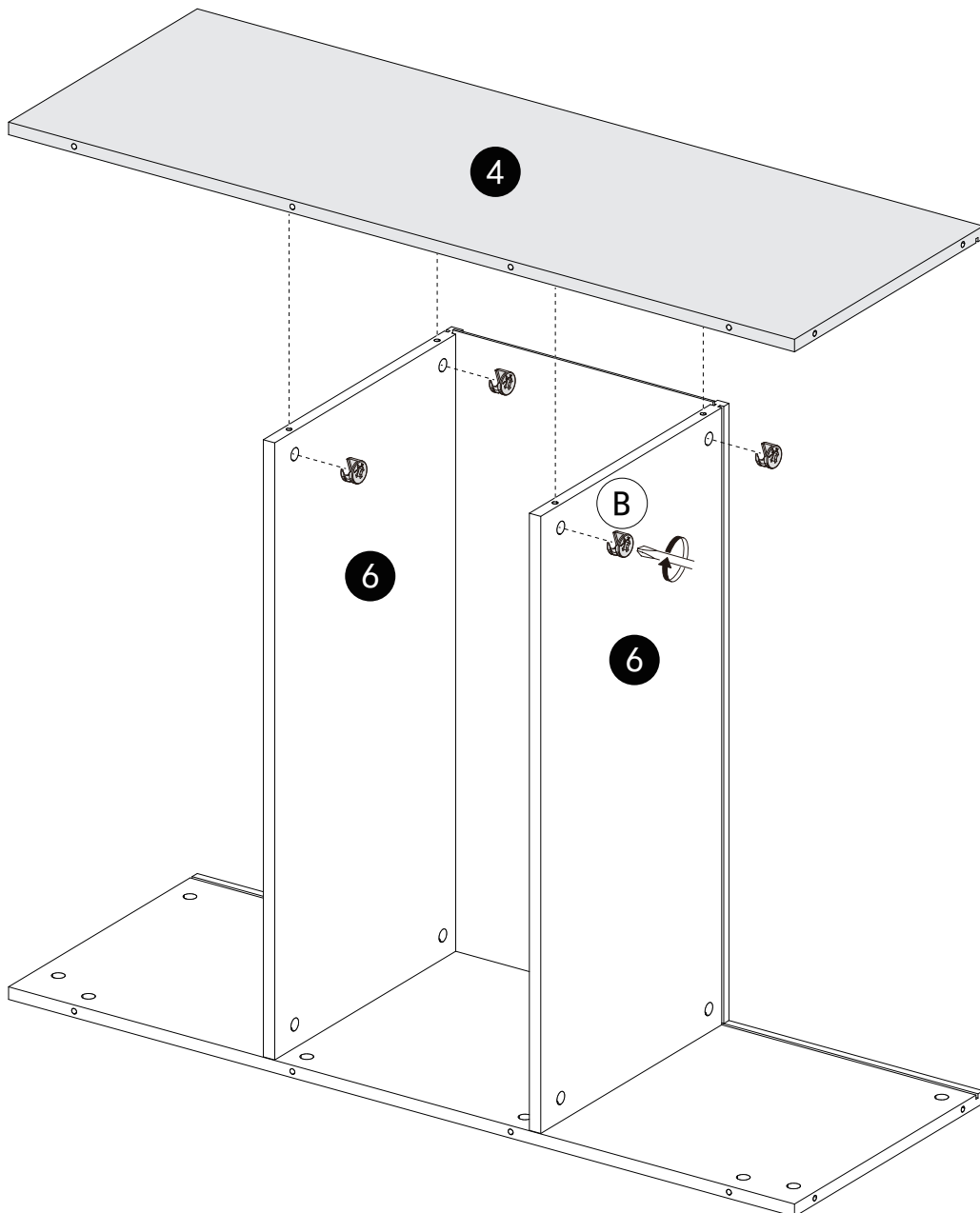
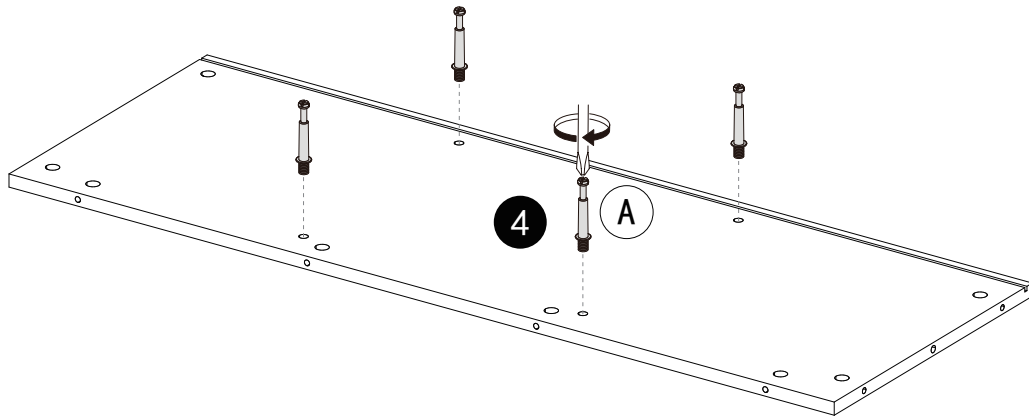


STEP 12

YOU WILL NEED

A x4

B x4

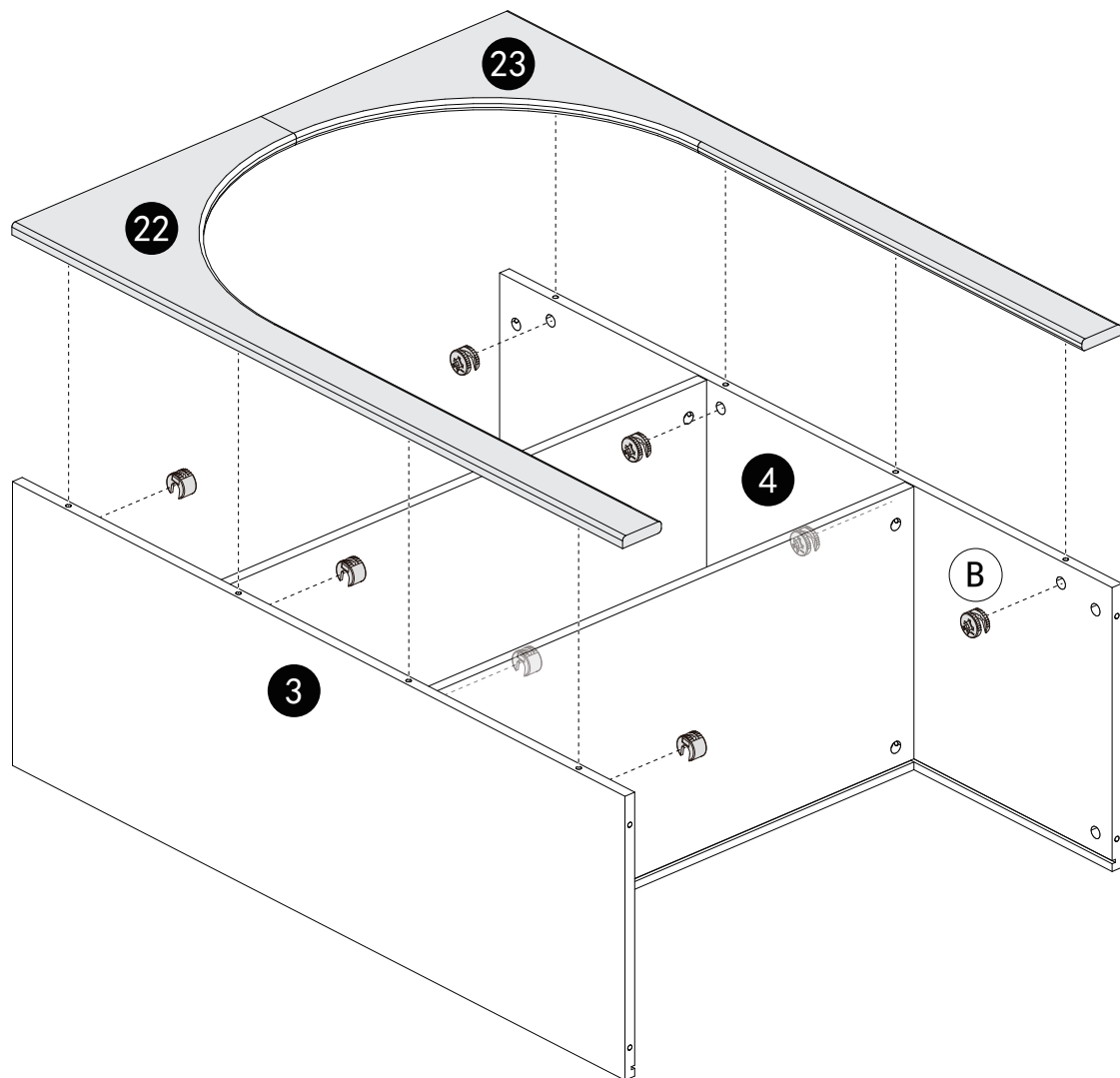
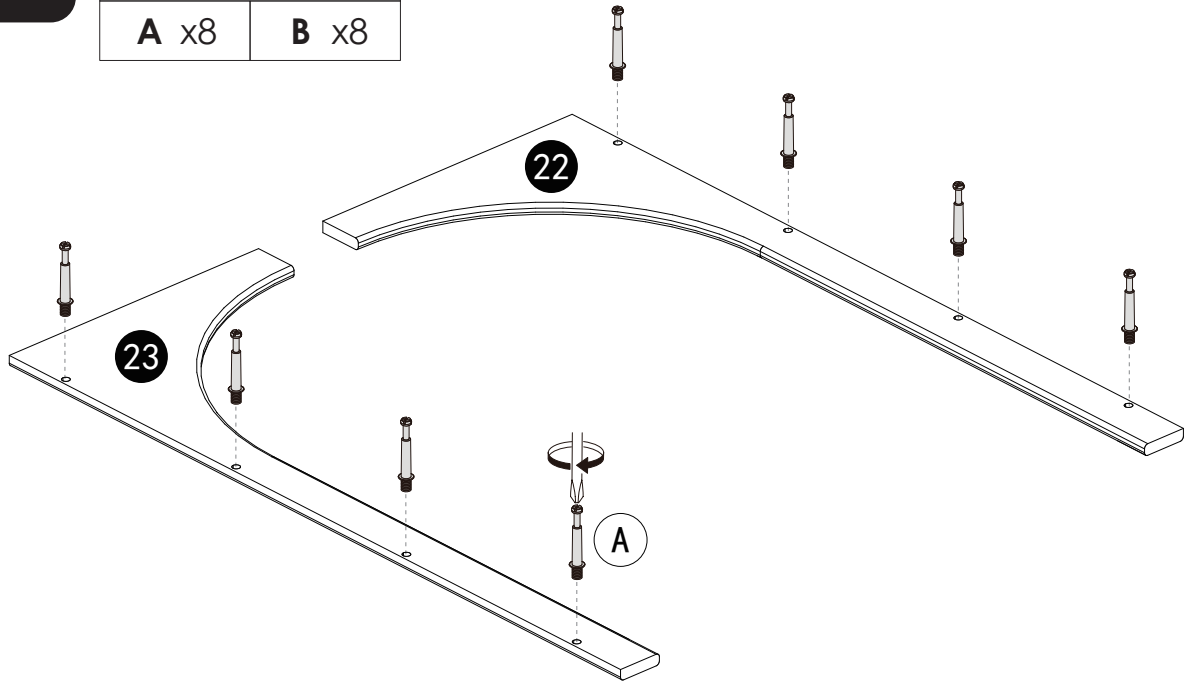


STEP 13

YOU WILL NEED

A x8

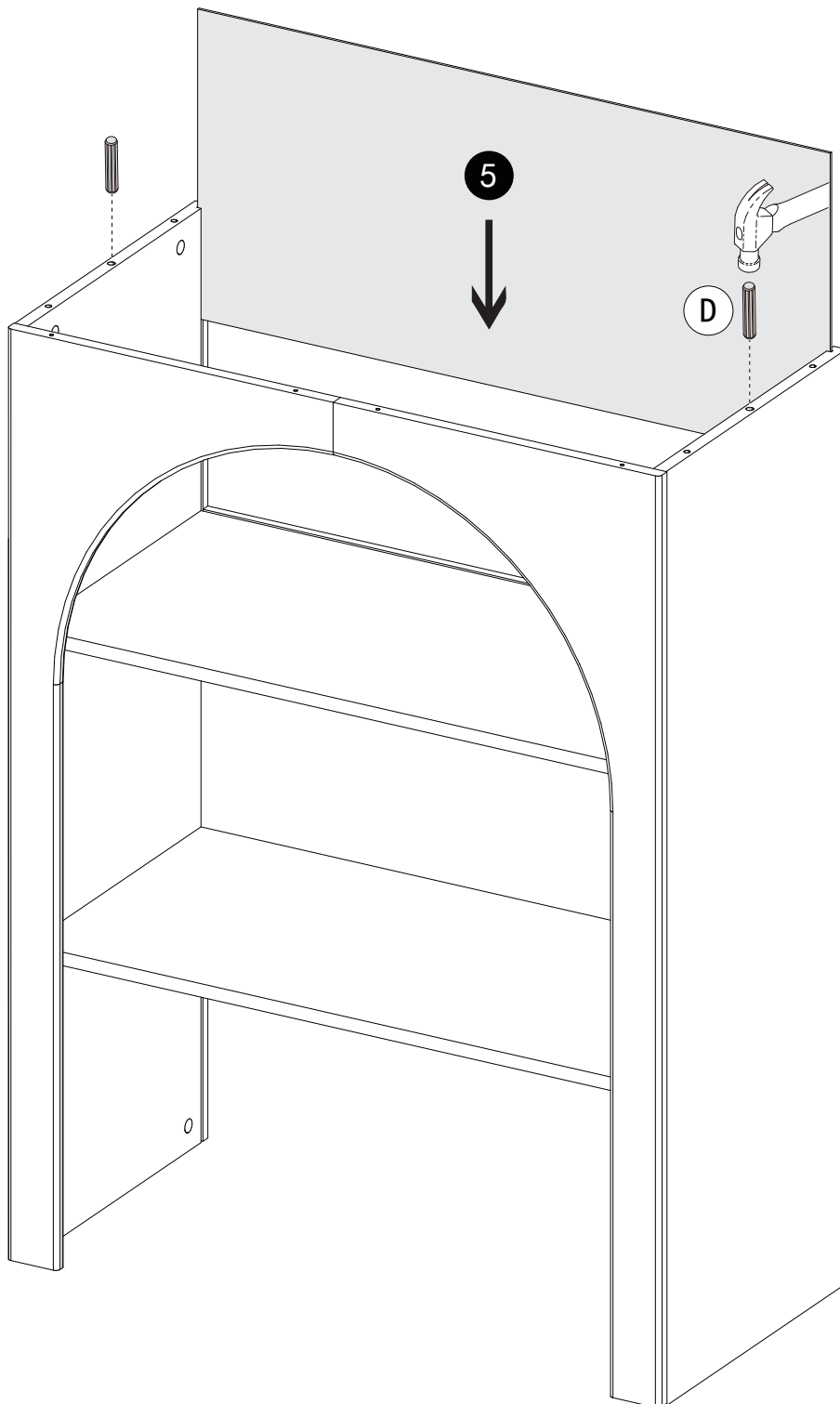
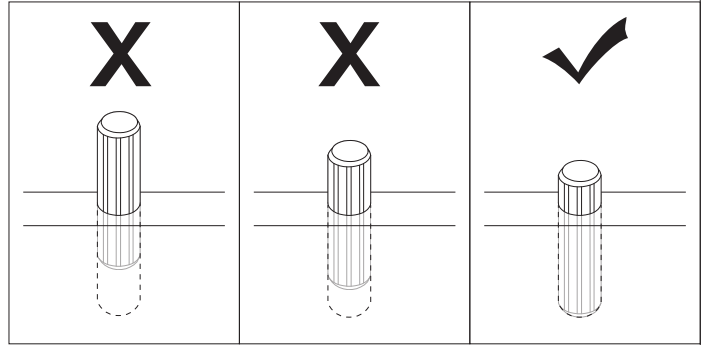
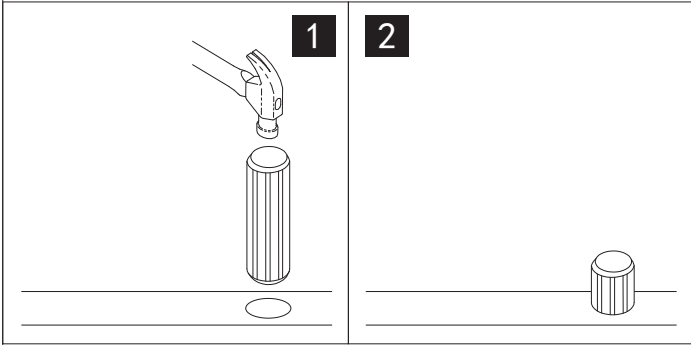
B x8



STEP 14

YOU WILL NEED

D x2



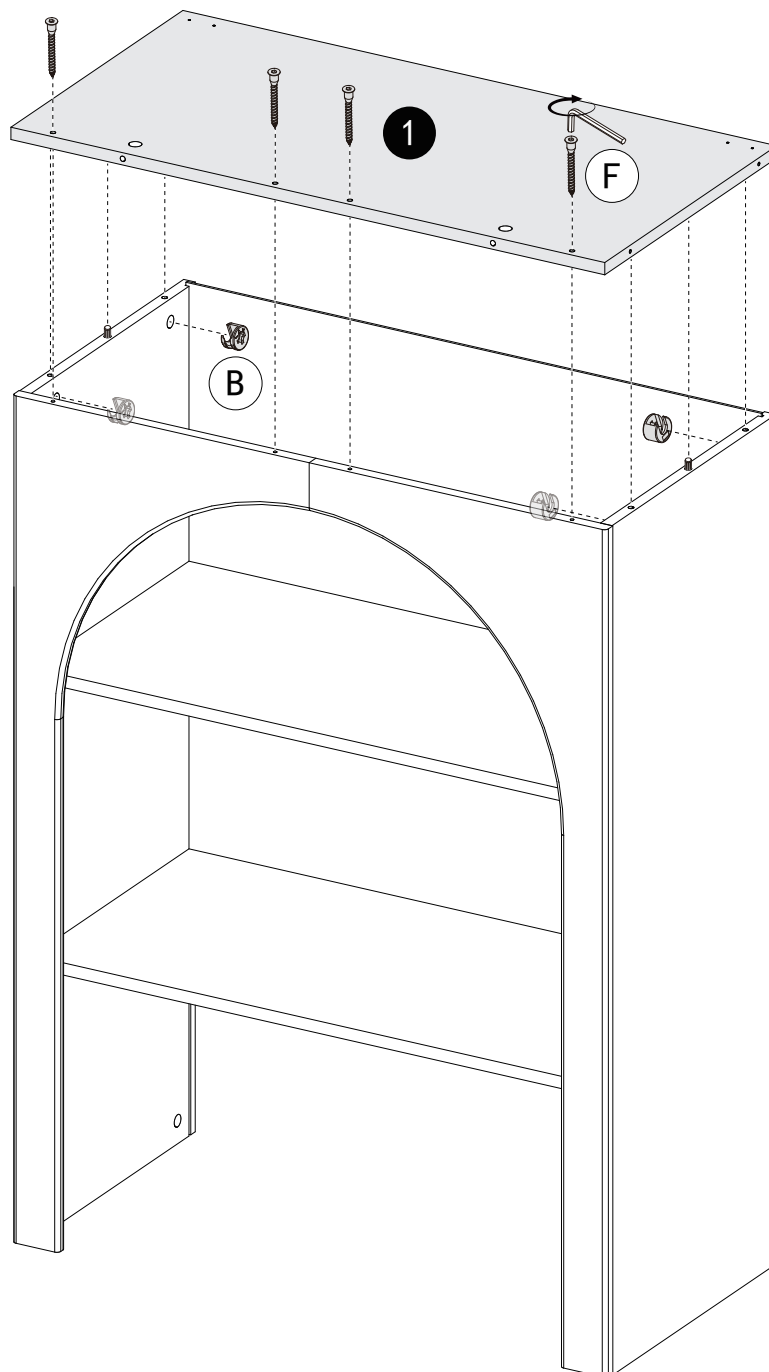
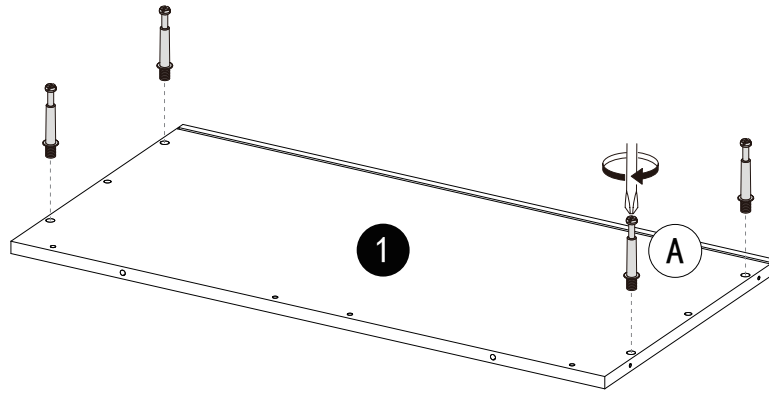
STEP 15

YOU WILL NEED

A x4

B x4

F x4

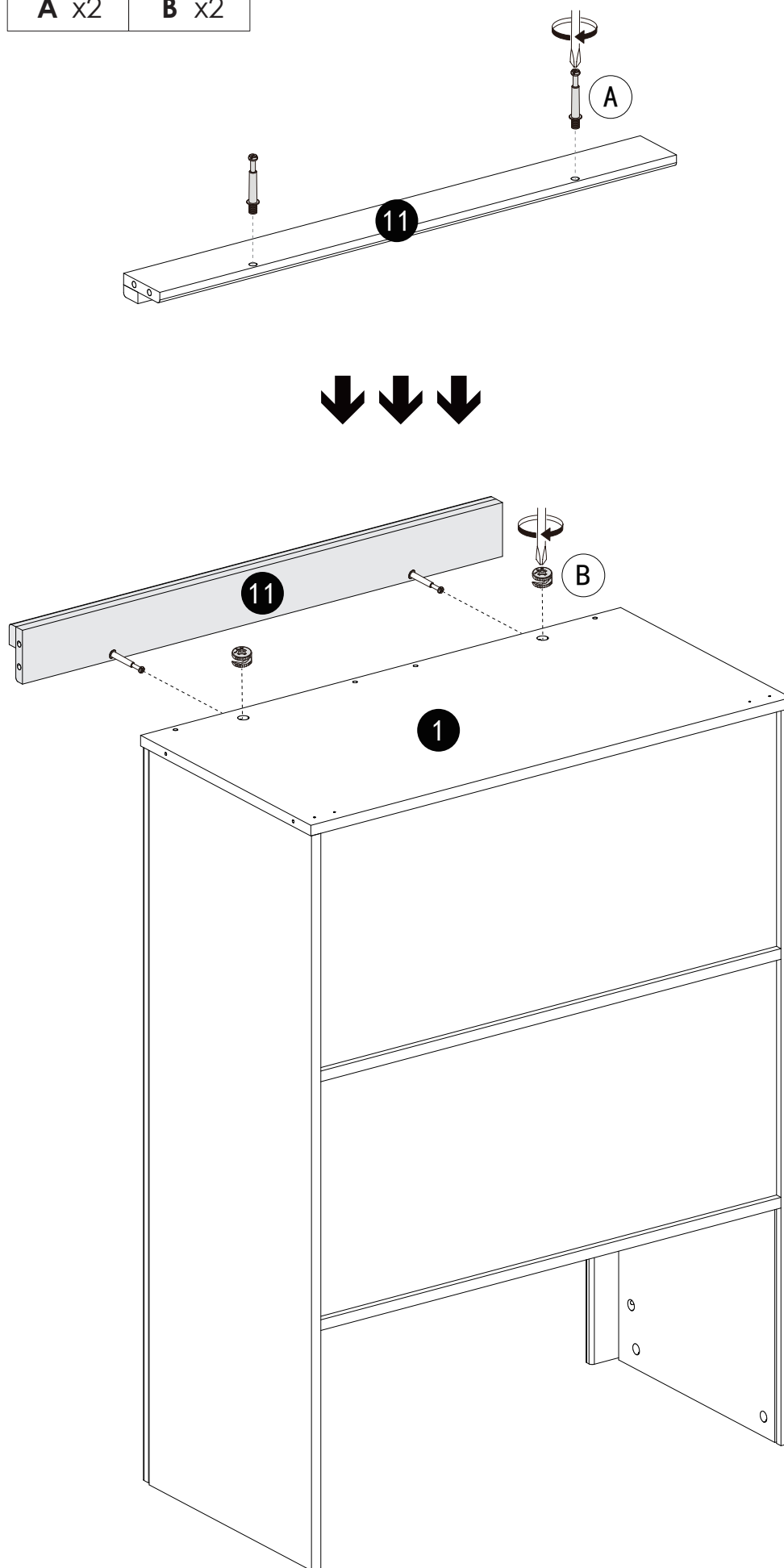


STEP 16

YOU WILL NEED

A x2

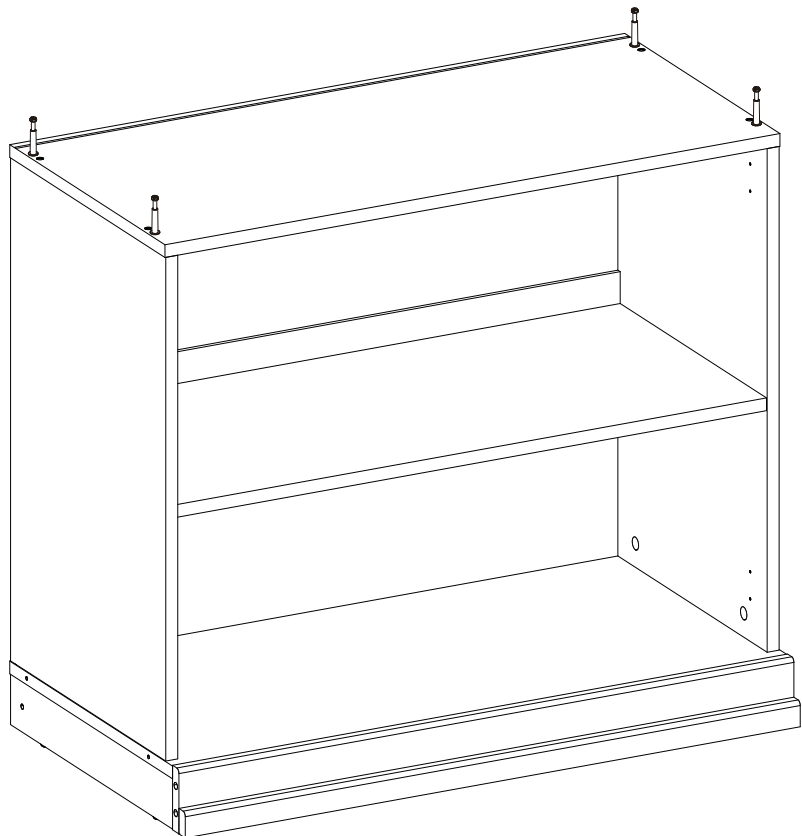
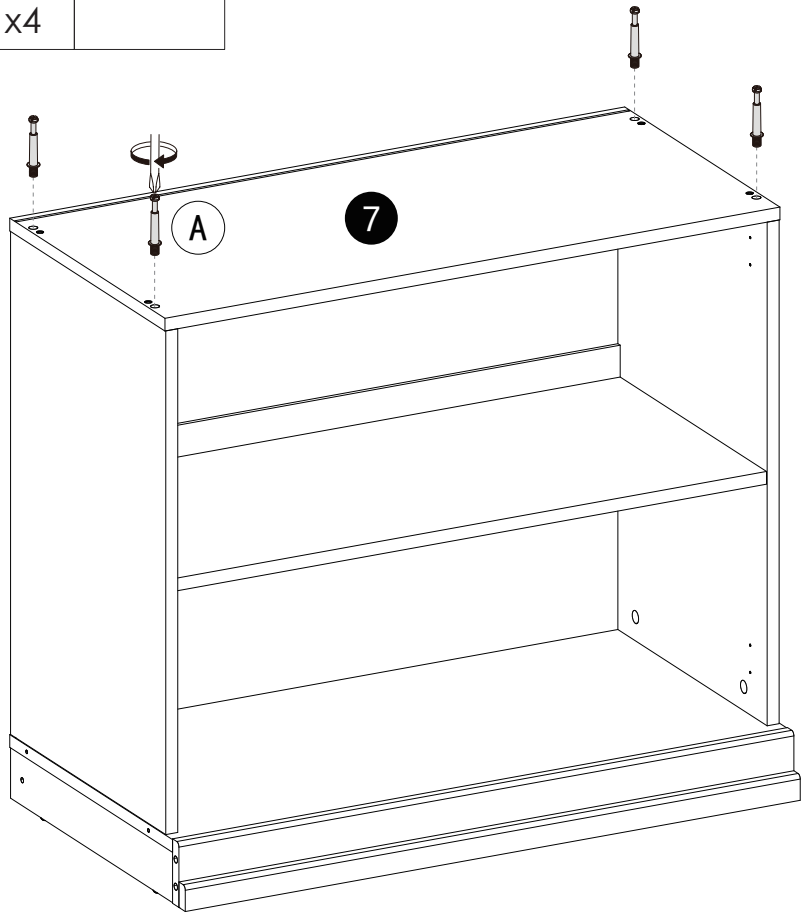
B x2



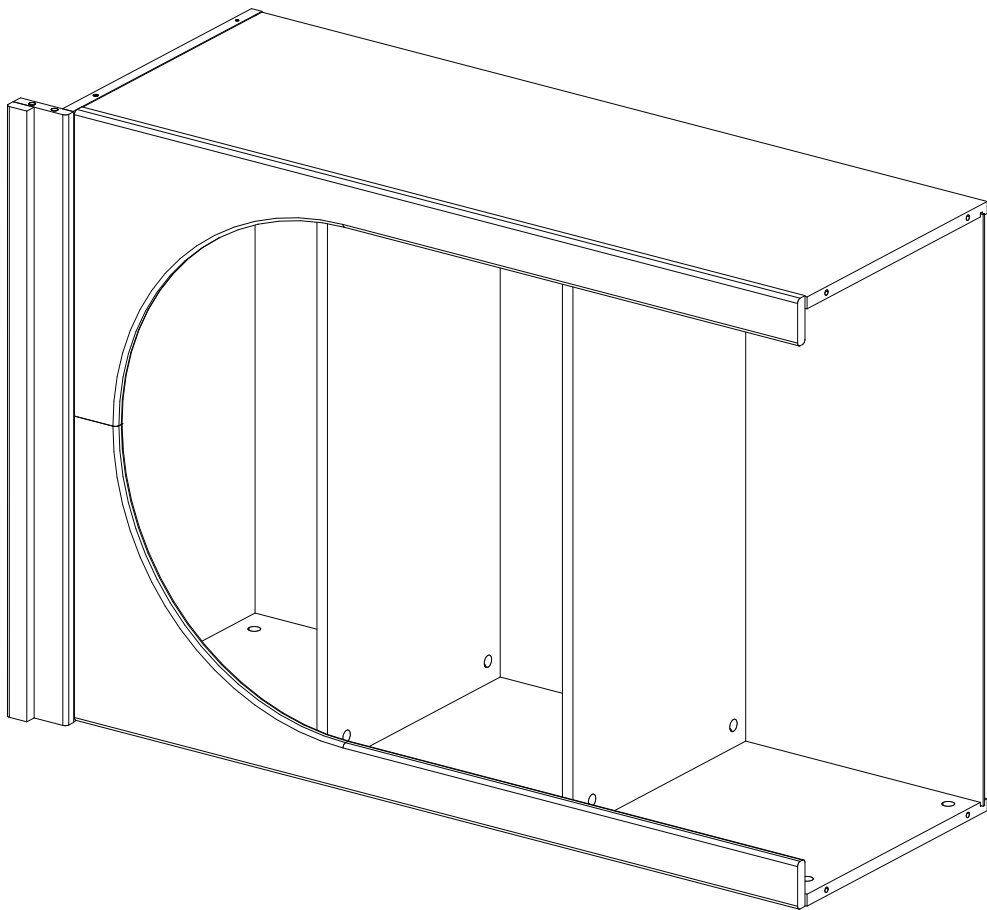
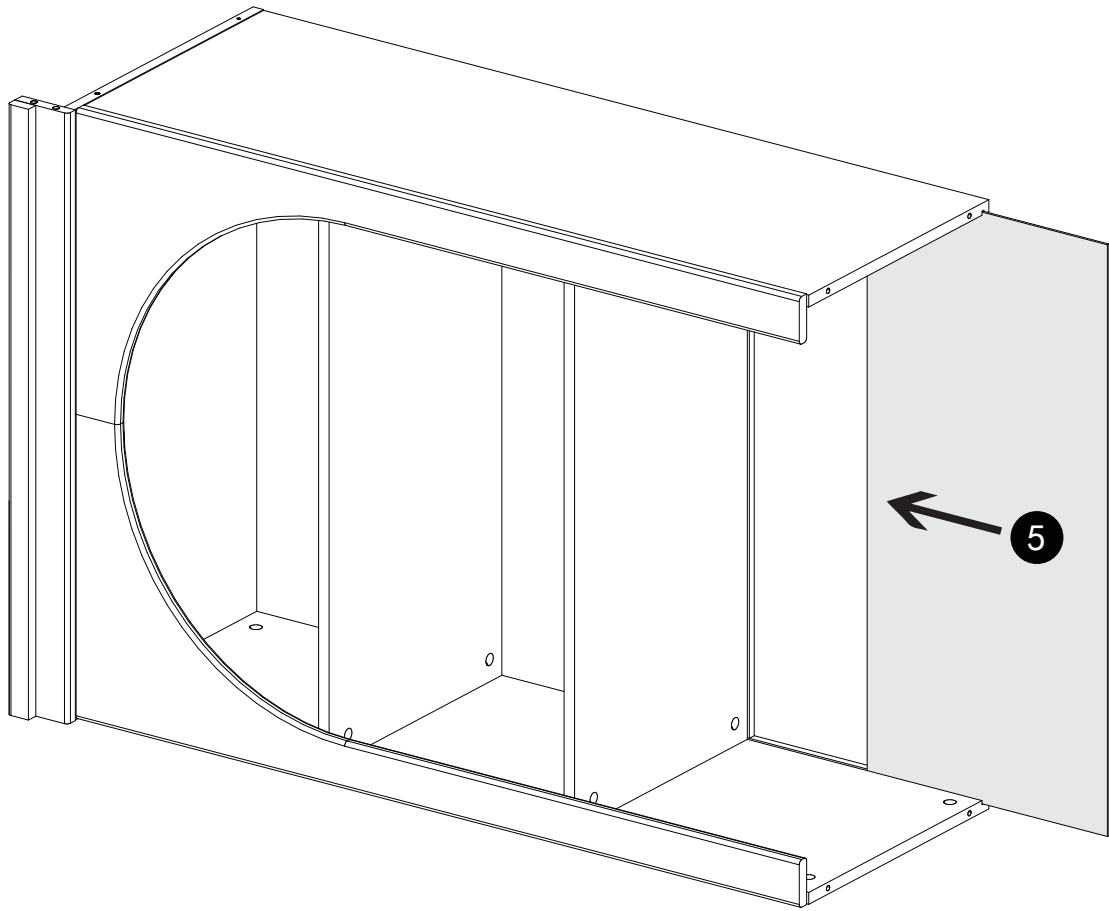
STEP 17

YOU WILL NEED

A x4



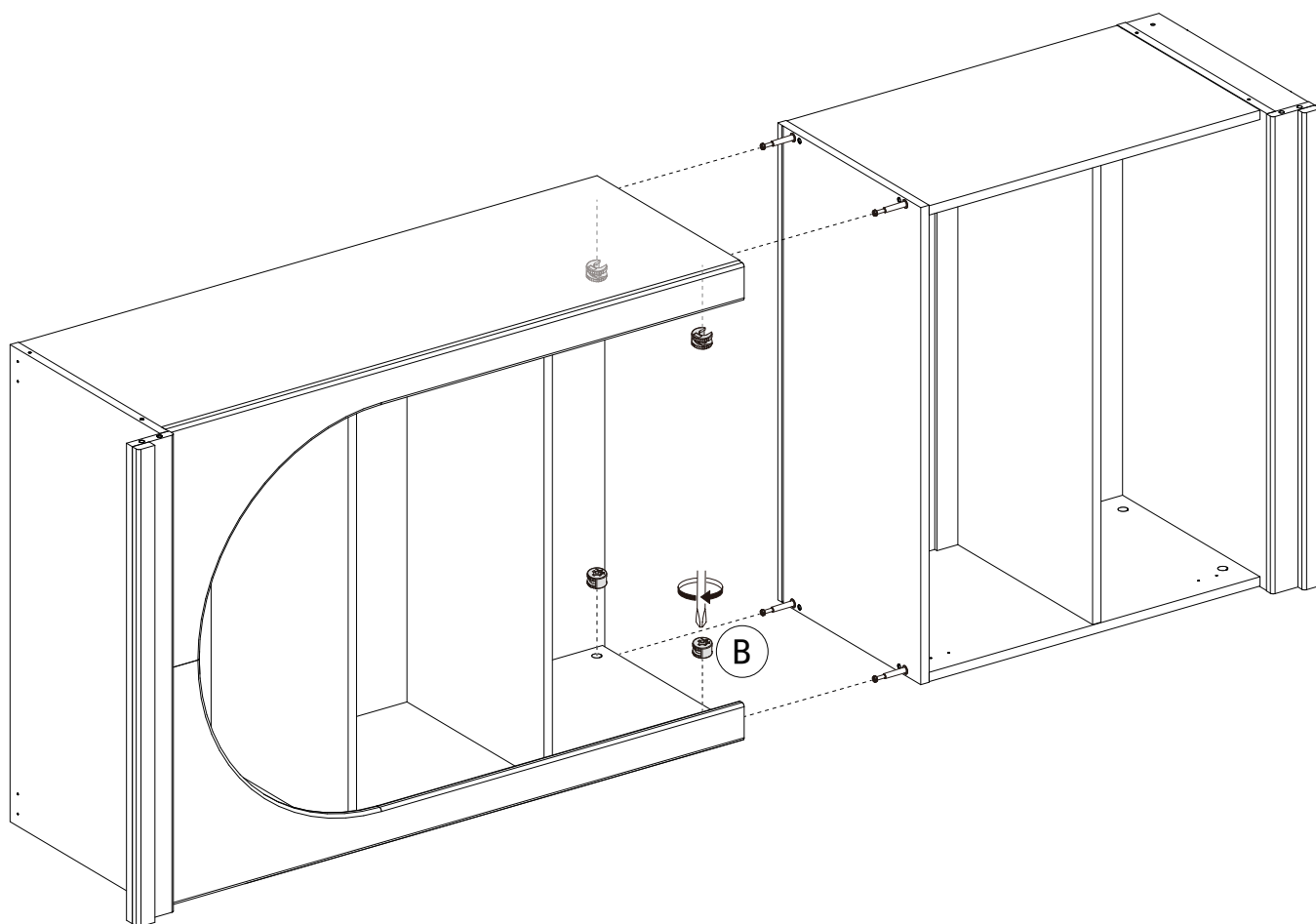
STEP 18



STEP 19

YOU WILL NEED

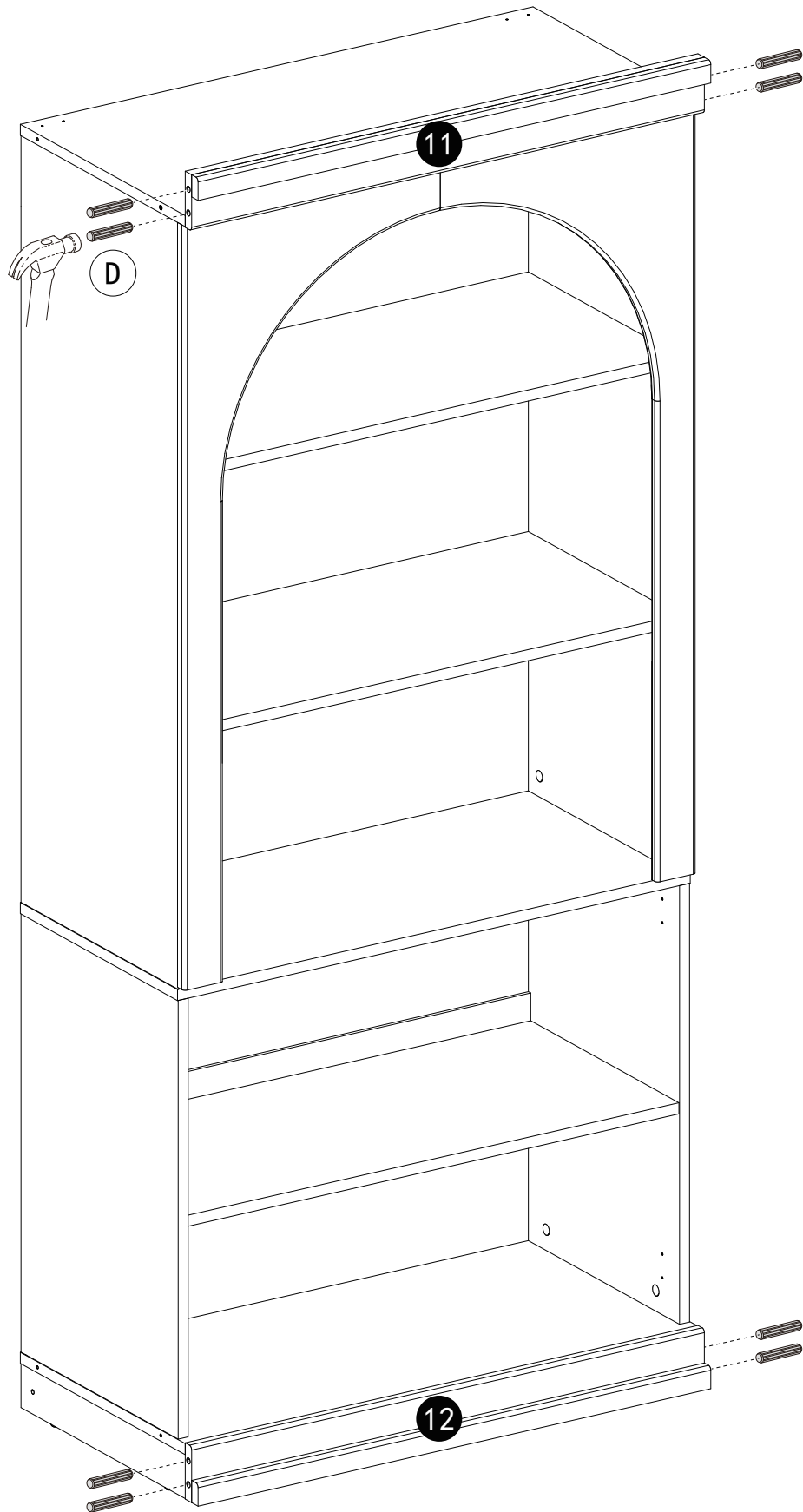
B x4



STEP20

YOU WILL NEED

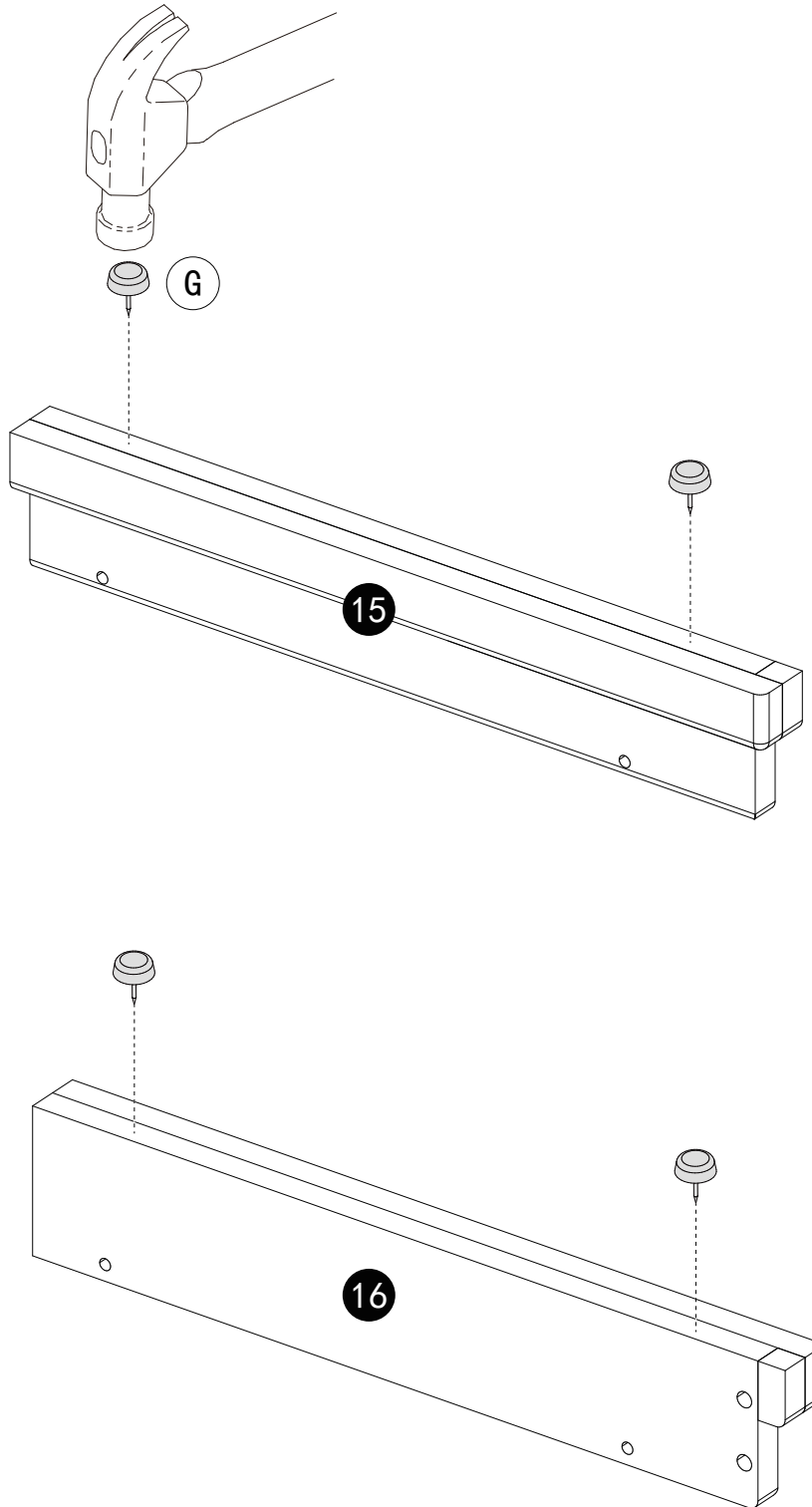
D x8



STEP21

YOU WILL NEED

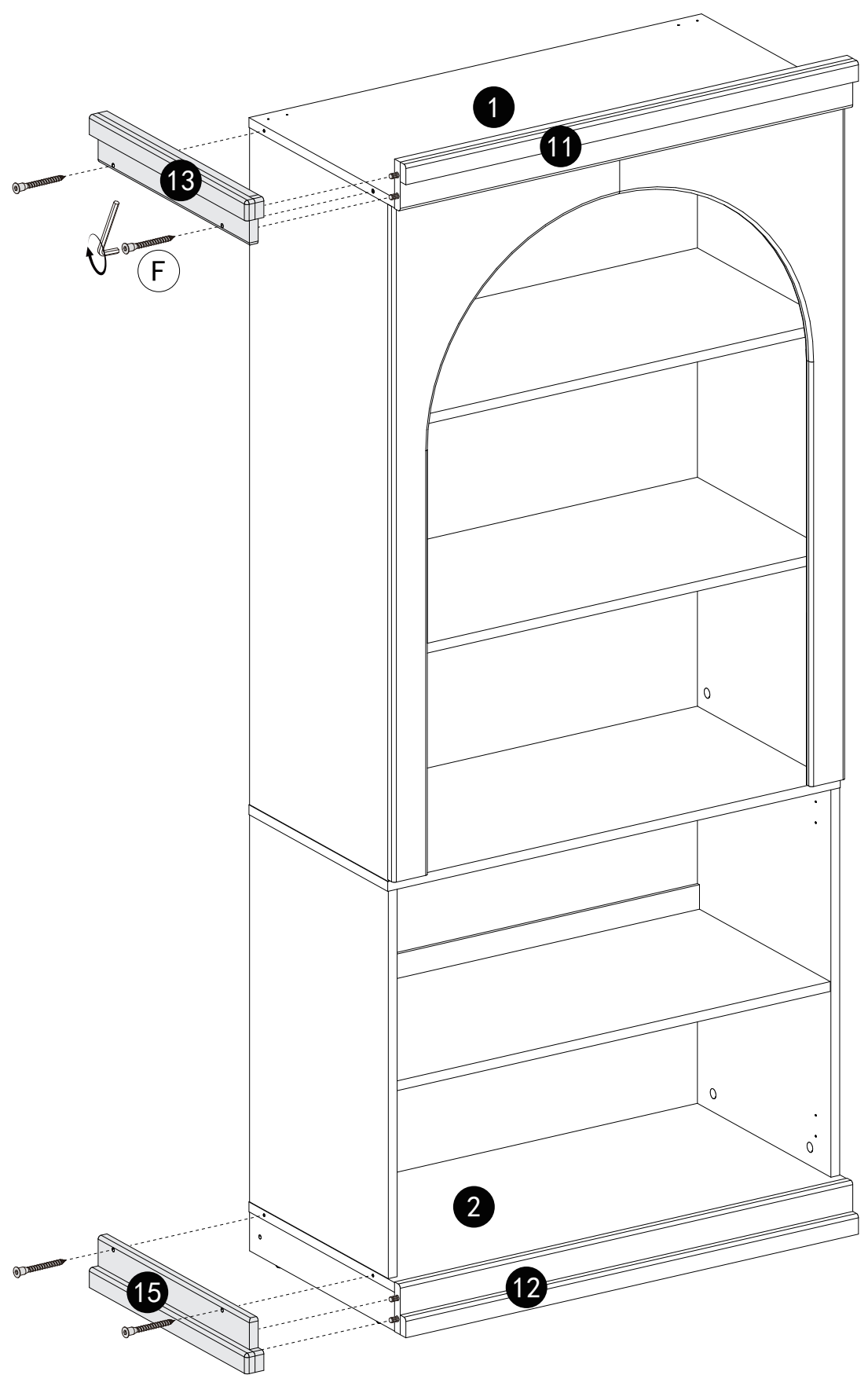
G x4



STEP22

YOU WILL NEED

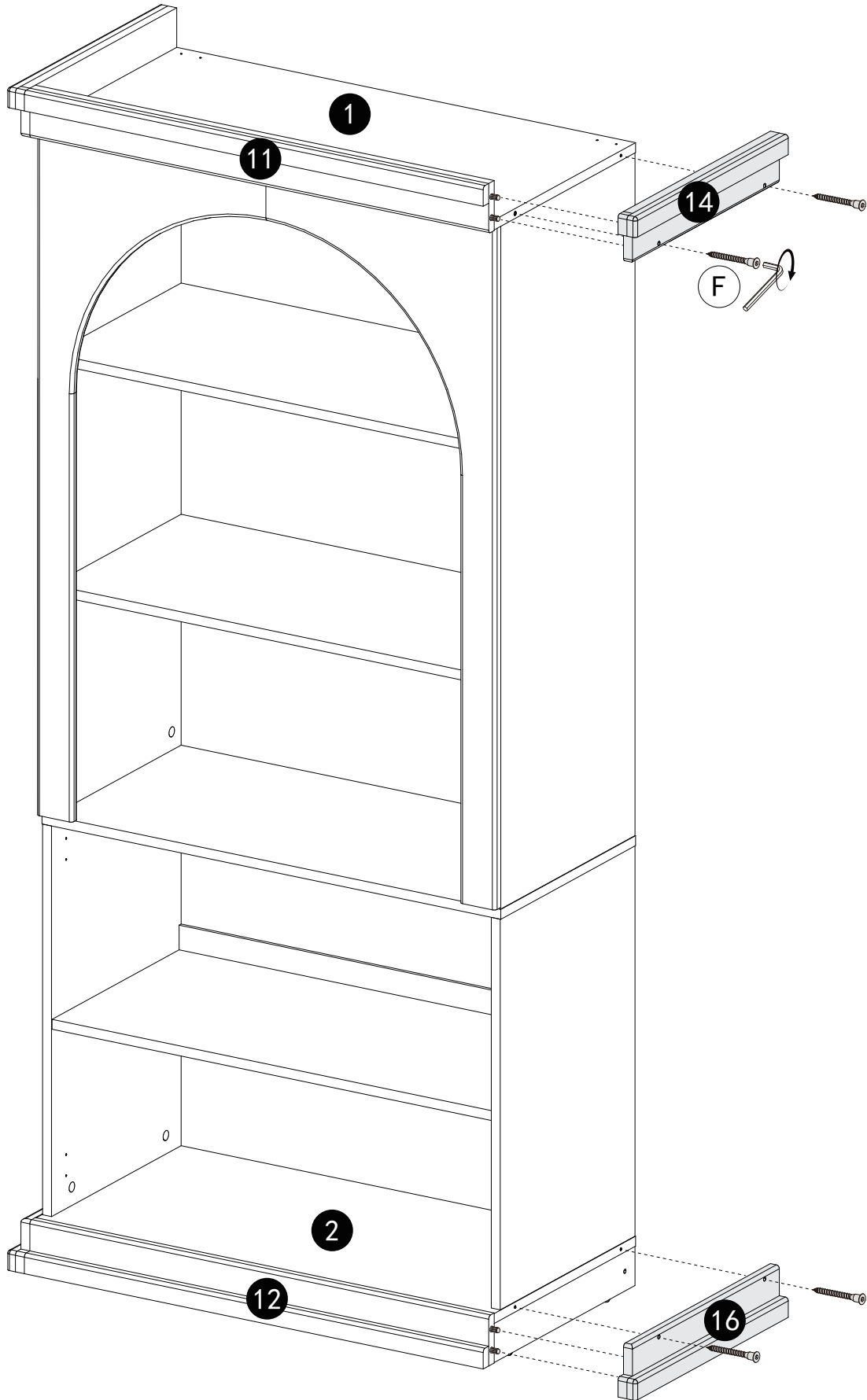
F x4



STEP 23

YOU WILL NEED

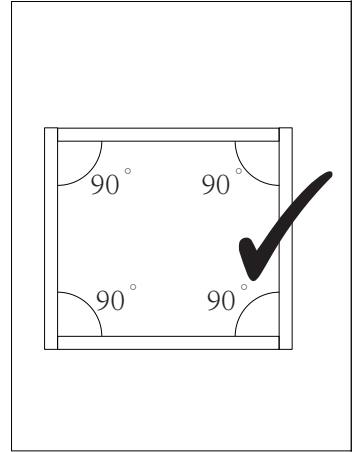
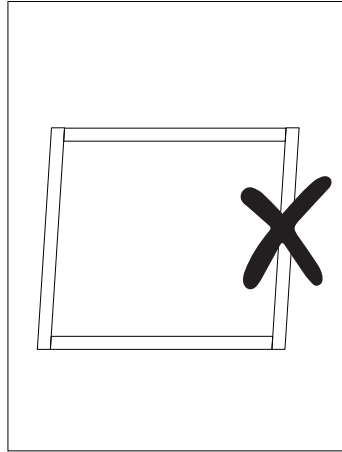
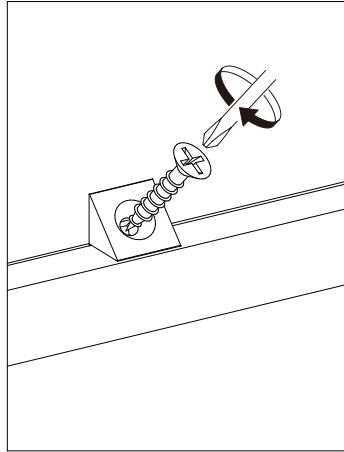
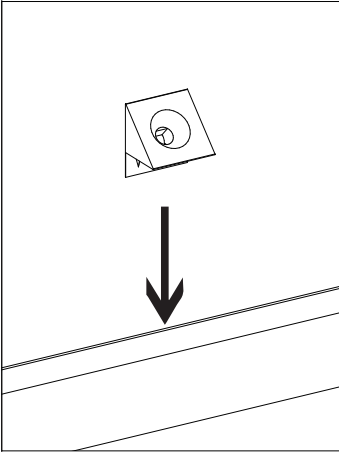
F x4



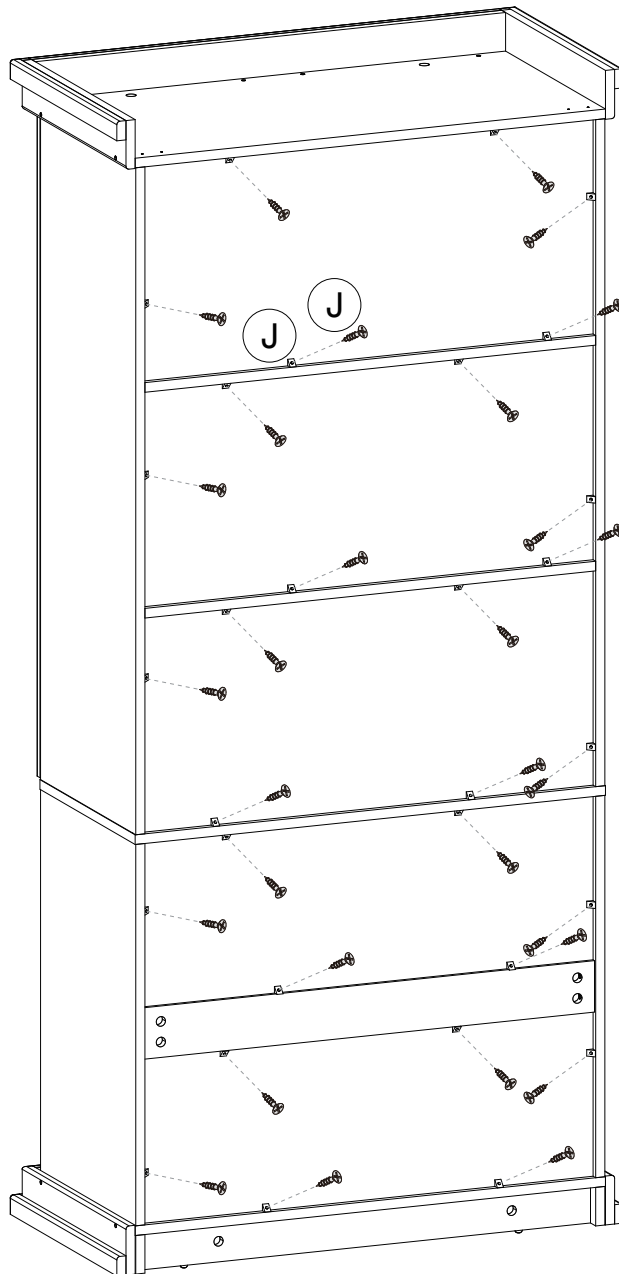
STEP24

YOU WILL NEED

J x30



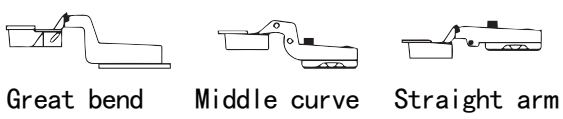
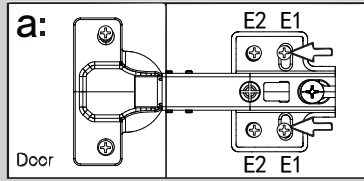
Note: Installation of Part H reinforces the cabinet structure.



STEP 25

Hinge adjustment

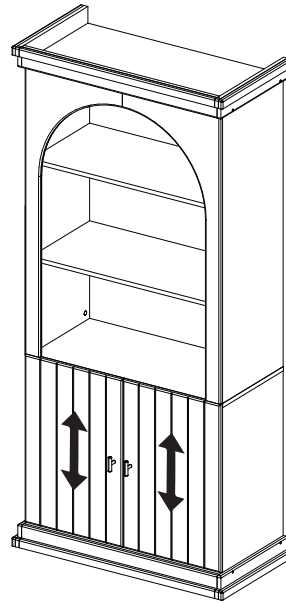
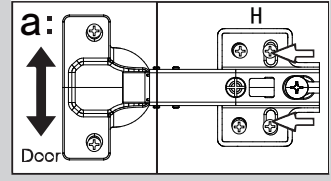
To facilitate the adjustment, install the E1 screw first, and then install the E2 screw.



Hinge adjustment

a: To move doors up or down: loosen screws shown and move doors to suit.

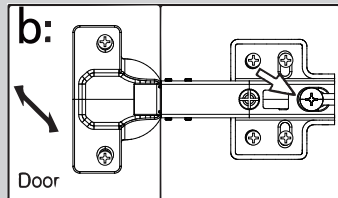
Once doors are aligned, re-tighten screws



Hinge adjustment

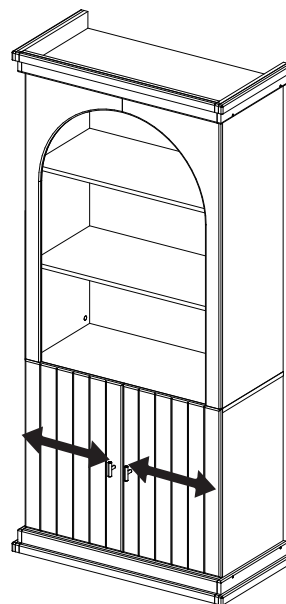
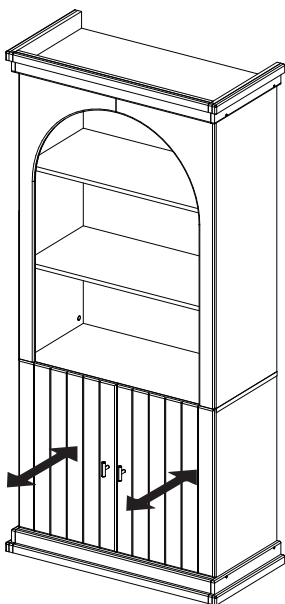
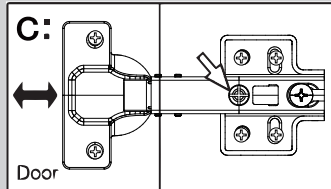
b: To move doors in or out: loosen screw shown and move doors to suit.

Re-tighten screws



Hinge adjustment

c: To move doors left or right: loosen screw shown to move doors to suit.

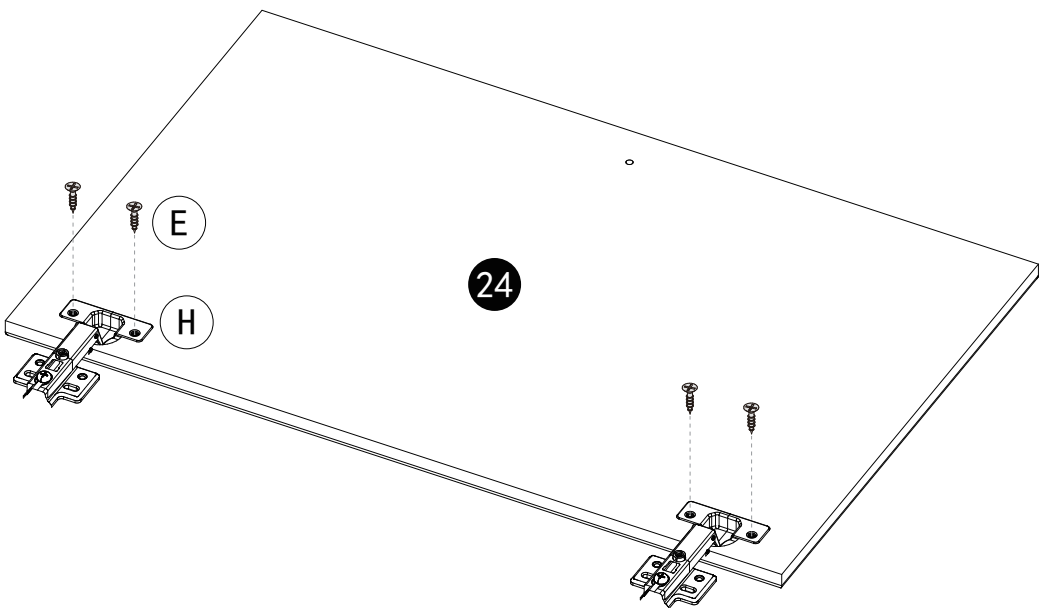
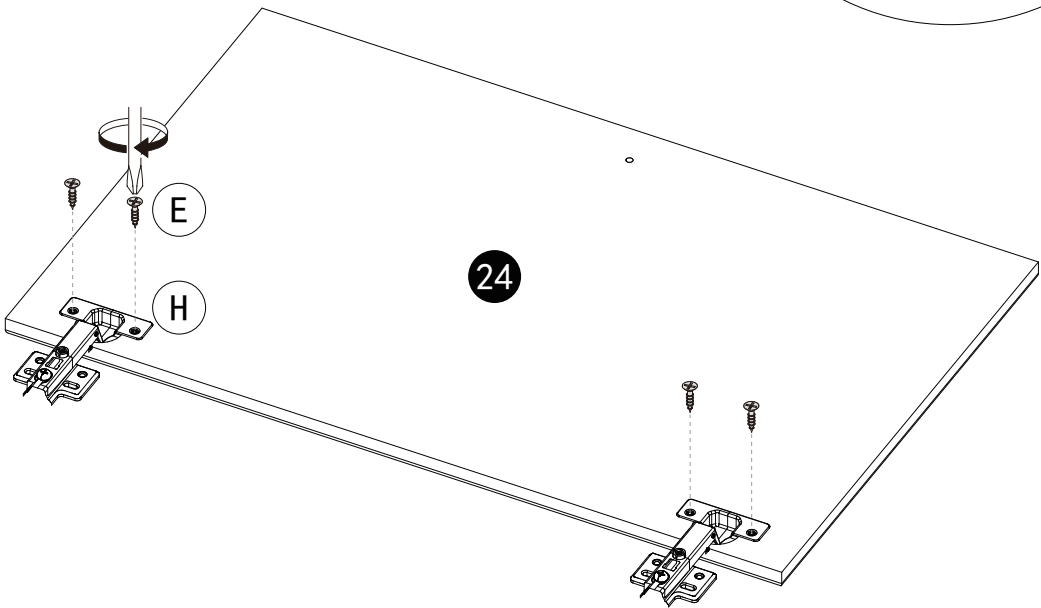
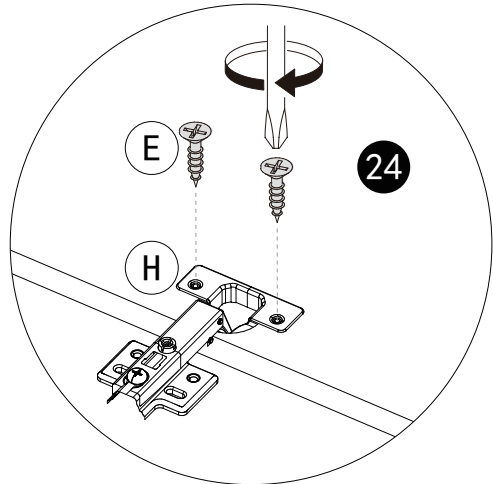


STEP 26

YOU WILL NEED

H x4

E x8

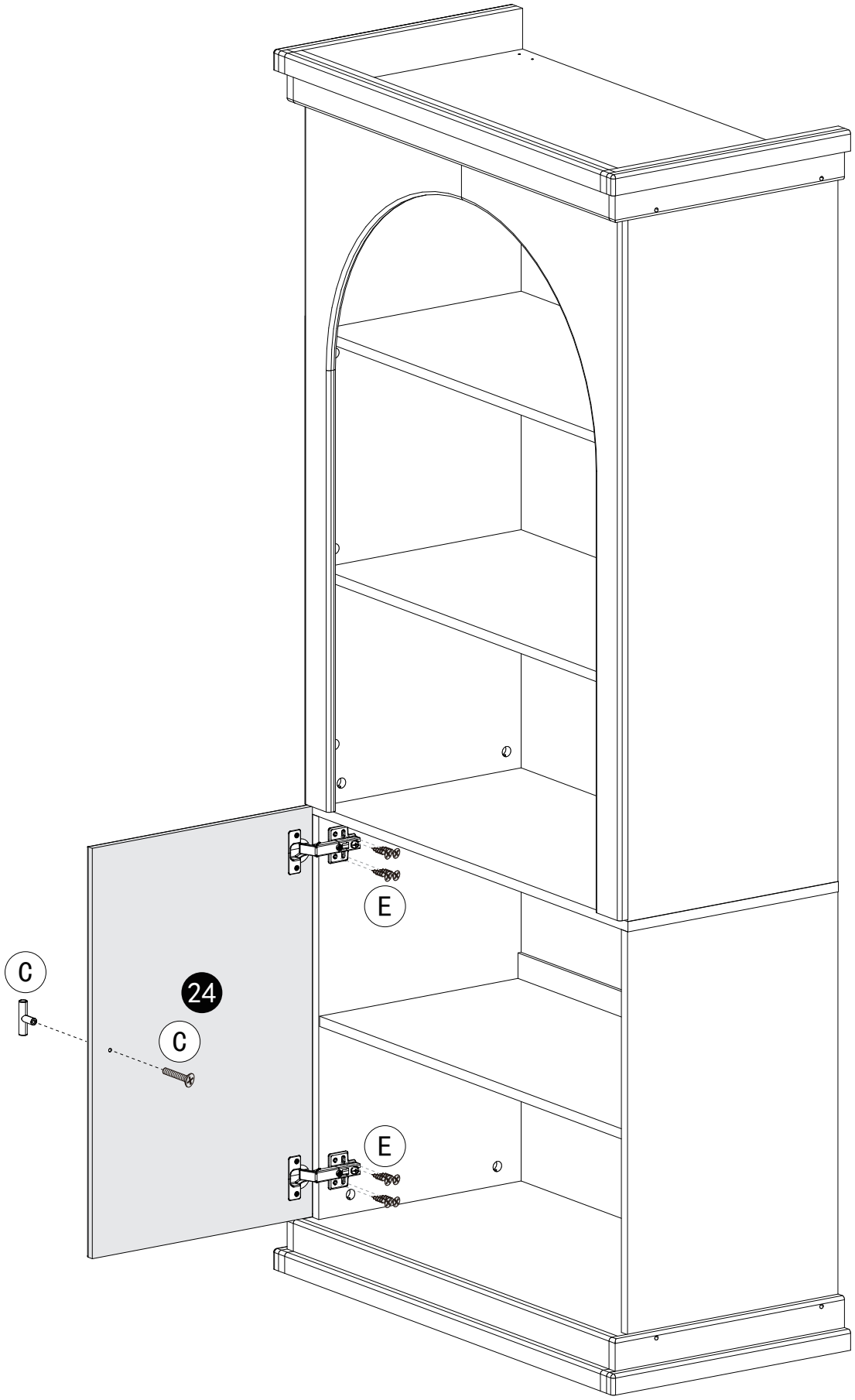


STEP27

YOU WILL NEED

C x1

E x8

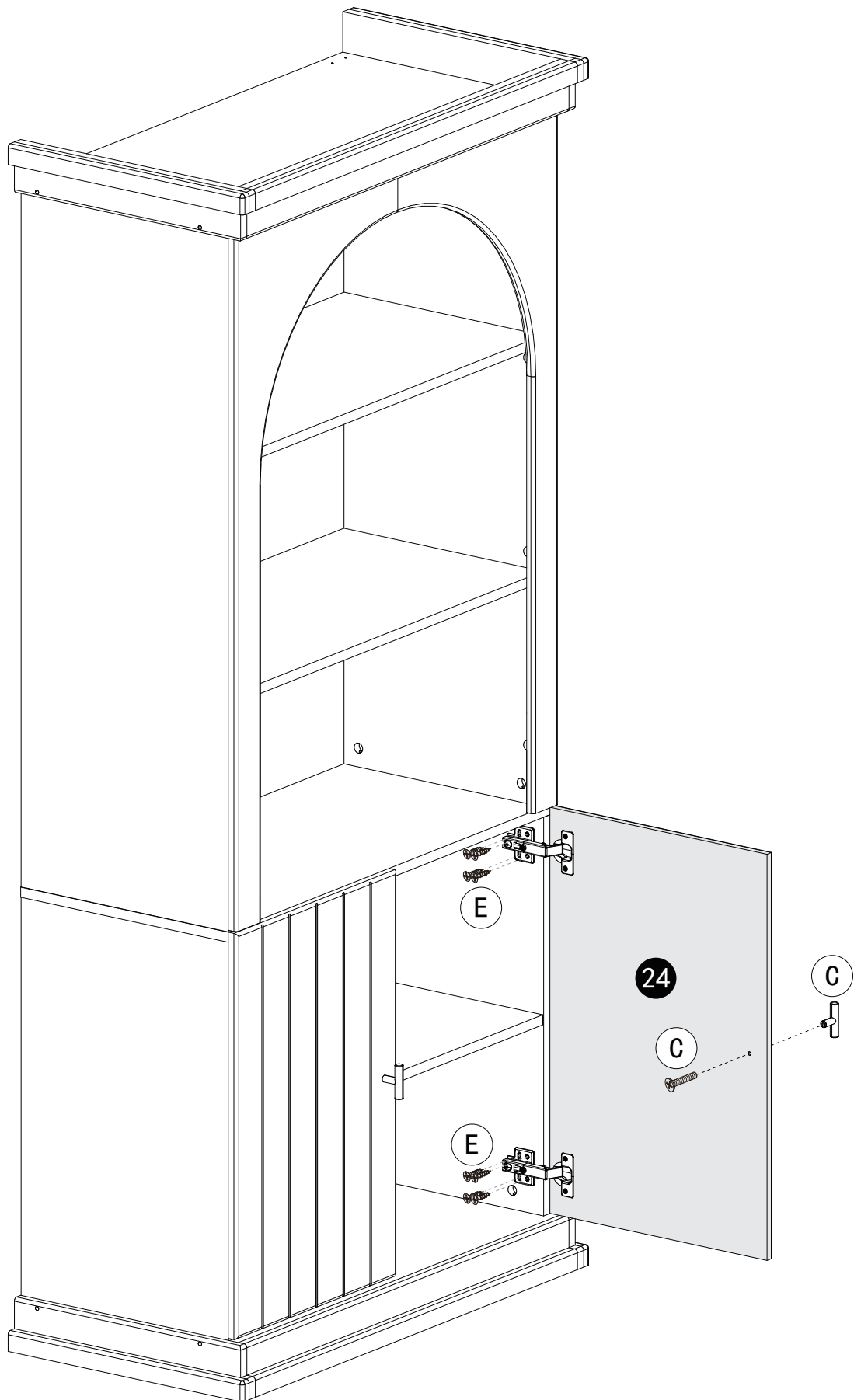


STEP28

YOU WILL NEED

C x1

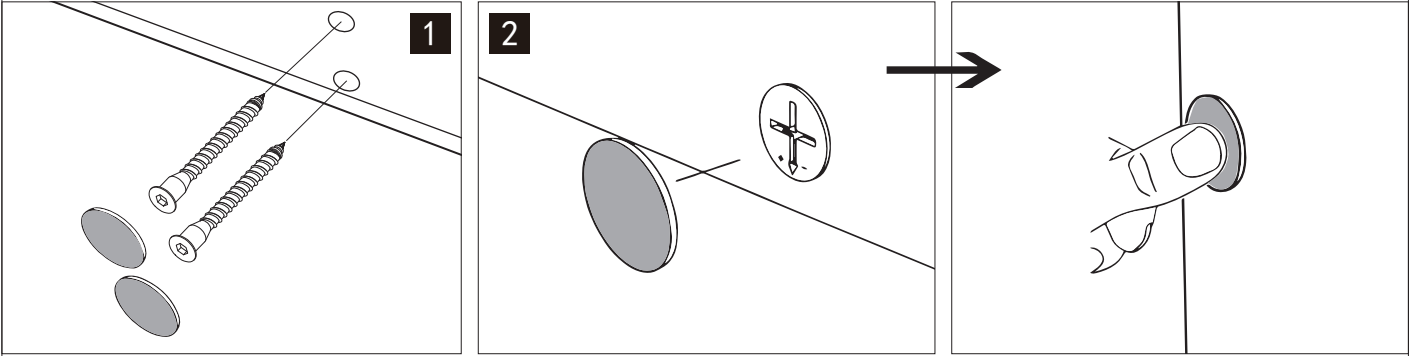
E x8



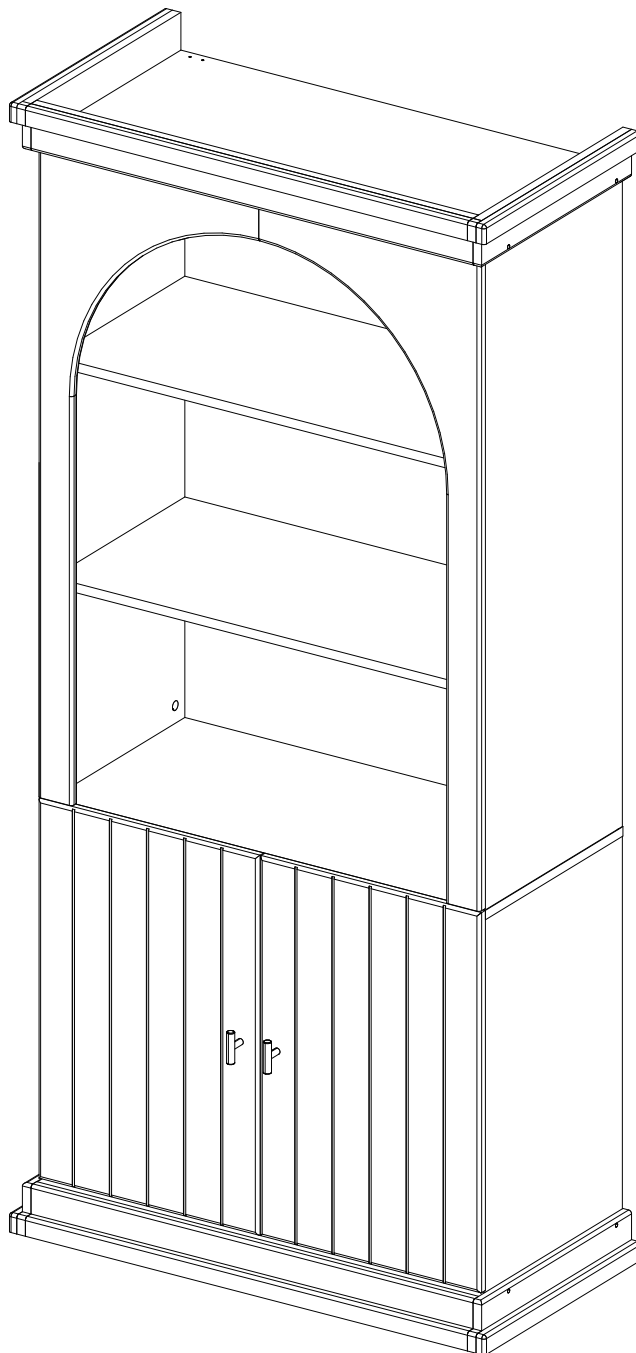
STEP 29

YOU WILL NEED

L x32



Add L fittings to all exposed holes on the front of the product



STEP 30

YOU WILL NEED

K x2

