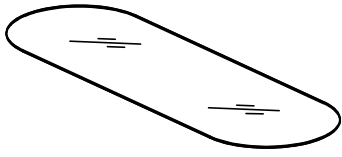


ASSEMBLY INSTRUCTION

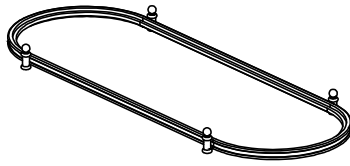
SOFA TABLE

A Glass Top



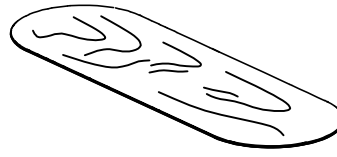
1pc

B Top Frame



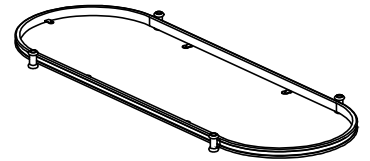
1pc

C Bottom Glass



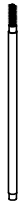
1pc

D Bottom Frame



1pc

E Support Post



4pcs

F Leg



4pcs

G Glass Sucker

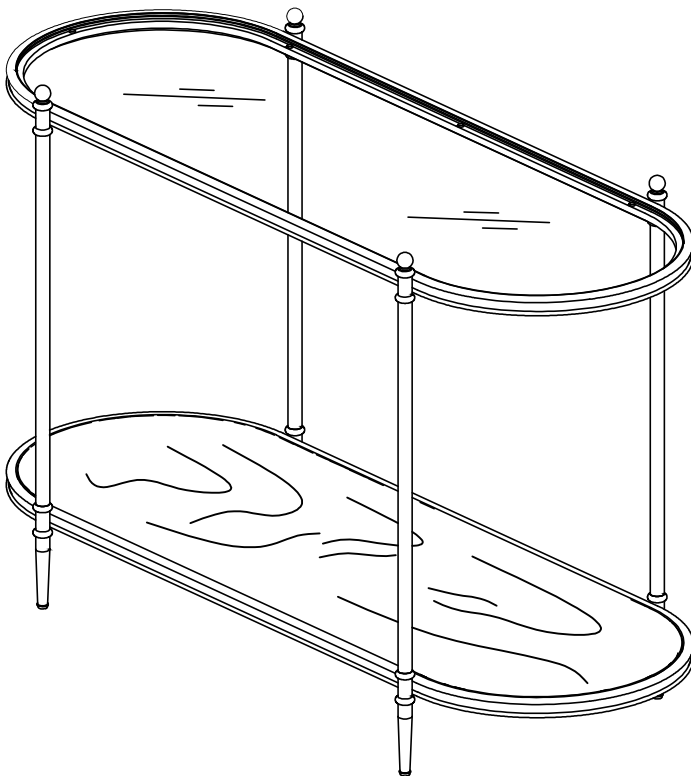


8pcs

H Glass Pad

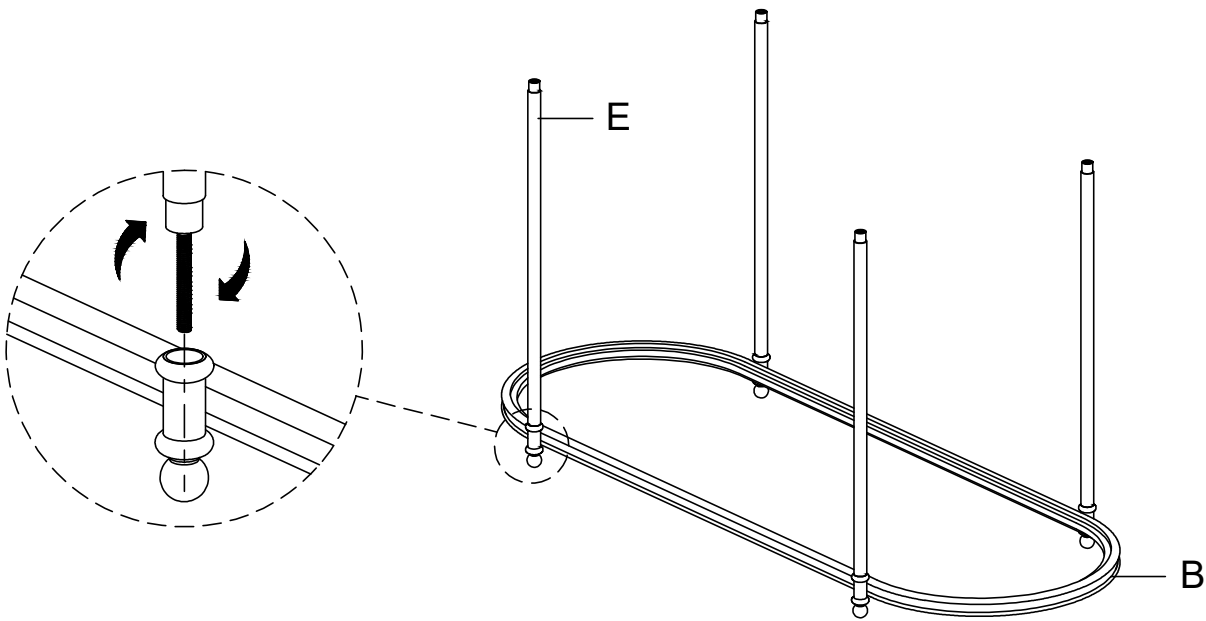


8pcs

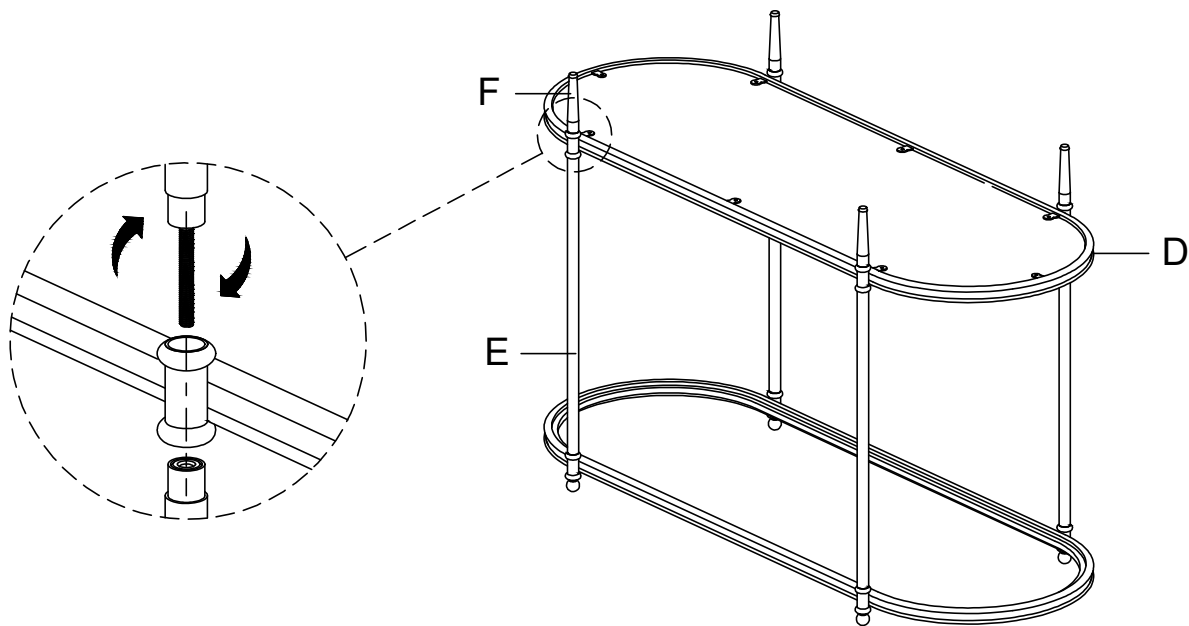


This page lists all the contents included in the box. Please take the time to identify the hardware as well as the individual components to this product. As you unpack and prepare for assembly, place the contents on a carpeted or padded area to protect them from damage.

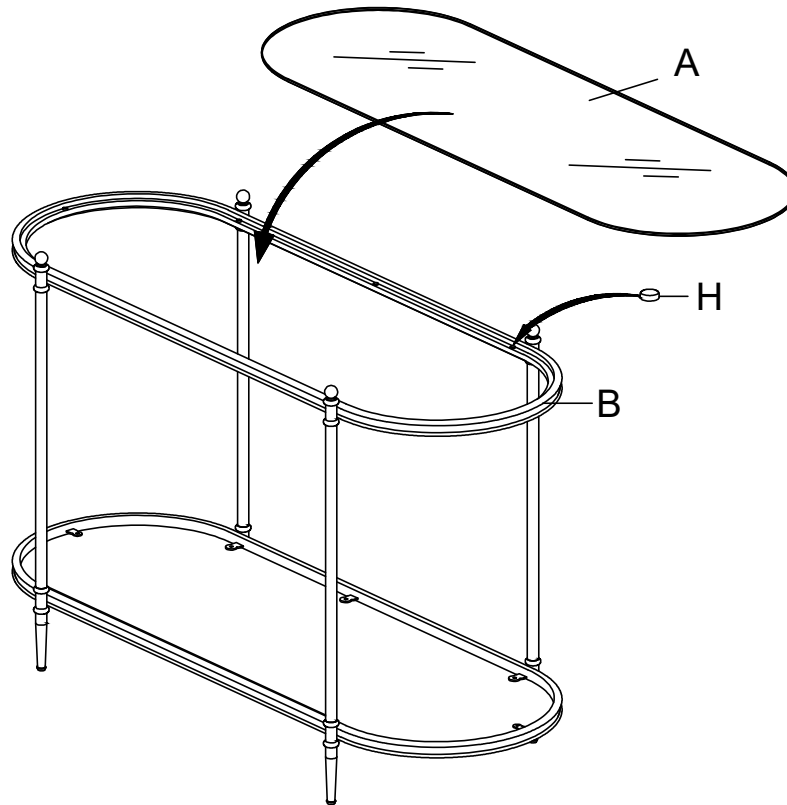
1 Put the Top Frame (B) on a smooth flat surface, attach Support Post (E) to Top Frame (B) as below shown.



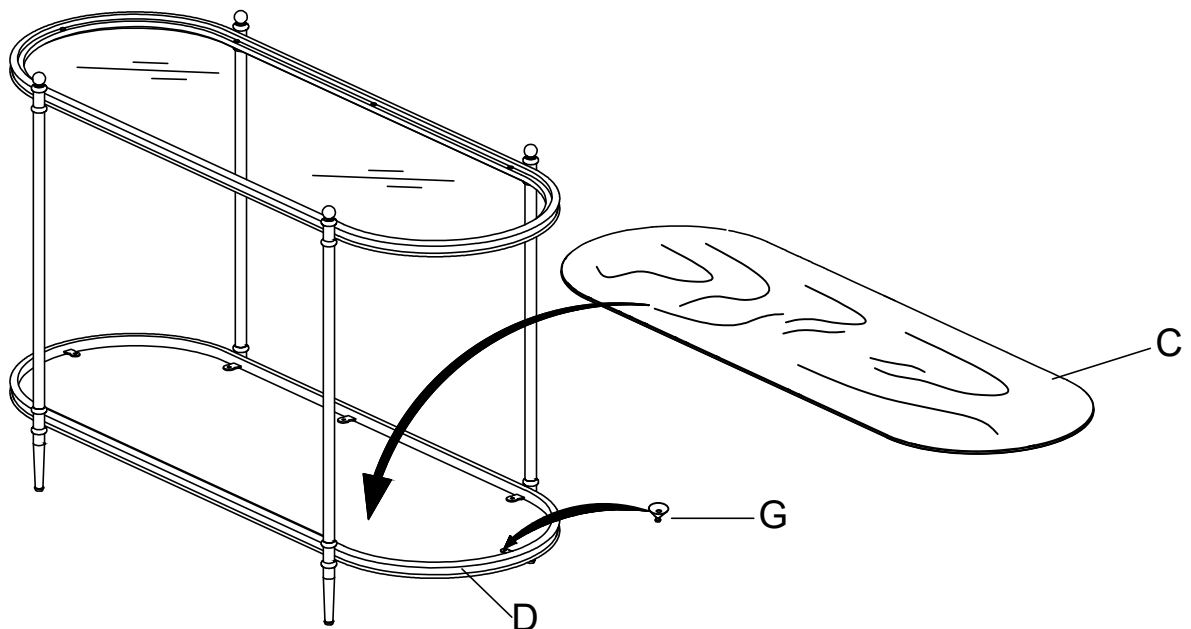
2 Assemble Bottom Frame (D) with Support Post (E) using Leg (F) as below shown.



-
- 3** Attach Glass Pad (H) on the Top Frame (B), then put the Glass Top (A) onto the Glass Pad (H) as below shown.



-
- 4** Insert Glass Sucker (G) into the holes of Bottom Frame (D), then put the Bottom Glass (C) onto the Glass Sucker (G) as below shown.



Cleaning & Care

Treat surface with care. Surface is resistant to scratches but is not scratch resistant. Clean surfaces with a dry or damp soft cloth. Do not use abrasive cleaners. Hardware may loosen over time. Periodically check that all connections are tight.