

**EN\_IMPORTANT, RETAIN FOR FUTURE REFERENCE: READ CAREFULLY.**

. THANK YOU FOR PURCHASE! .

# FREE REPLACEMENT PARTS AVAILABLE!

If you're experiencing any issues—whether due to shipping, assembly, or any other reason  
—we're here to help.

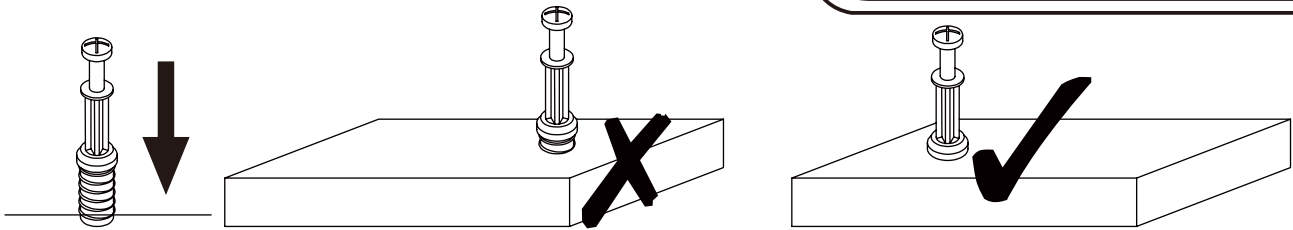
For any damaged or missing components, we're happy to provide FREE replacement parts.

---

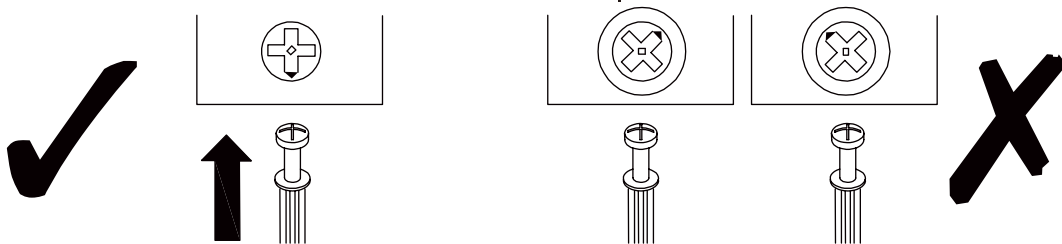
## *WANT TO CONTACT US*

- ▶ Go to “Your Orders” and locate your furniture order.
- ▶ Click on “Get Help with Order” to send us a message directly.

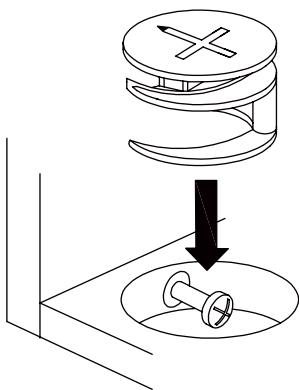
Our customer support team is ready to assist you and we will respond within  
12-24 HOURS to resolve your concerns quickly!



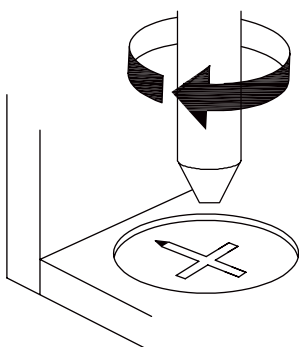
**EN\_QUICKFIT:** Tighten quickfit until shoulder is flush with panel. Do not overtighten or undertighten.



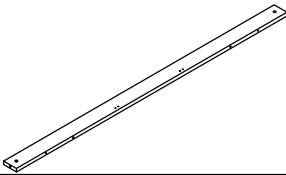
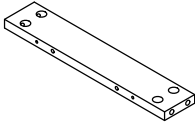
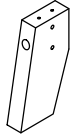
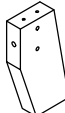


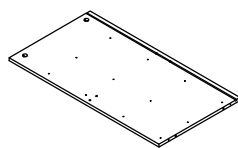
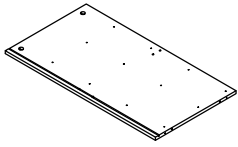
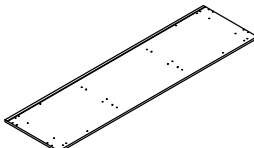
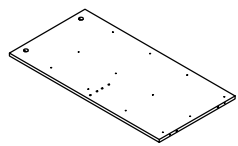
**EN\_CAM LOCK:** When fitting cam lock, ensure starting position is correct before you insert connecting quickfit.

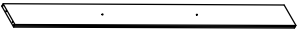
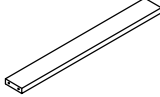
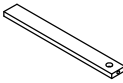
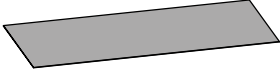
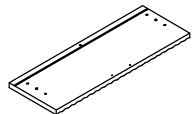
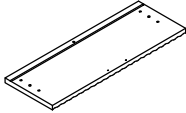
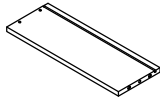
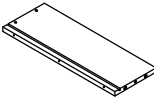
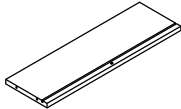
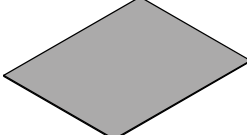


**EN\_Quickfit** head should be in the centre of the cam lock when the two panels are joined.  
Cam lock should be inserted before quickfit.

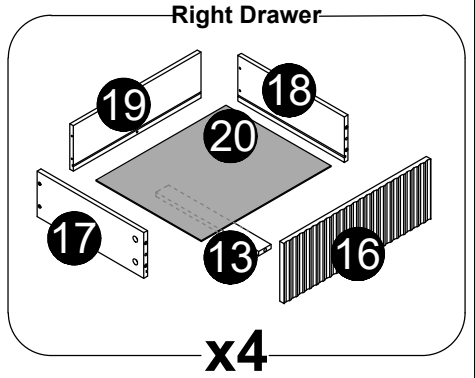
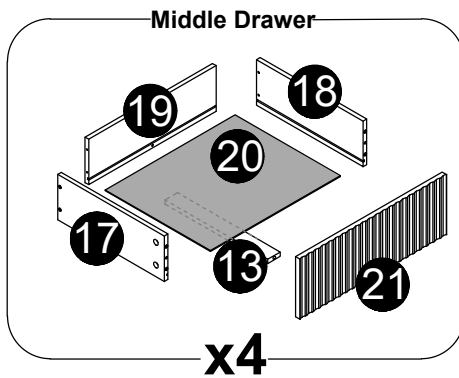
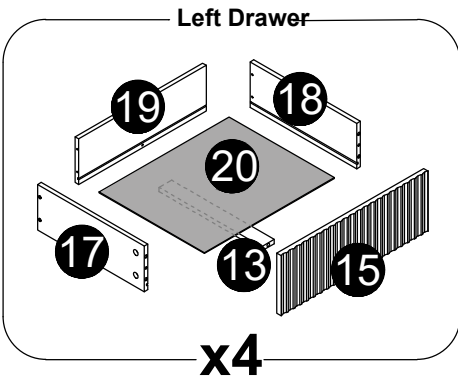
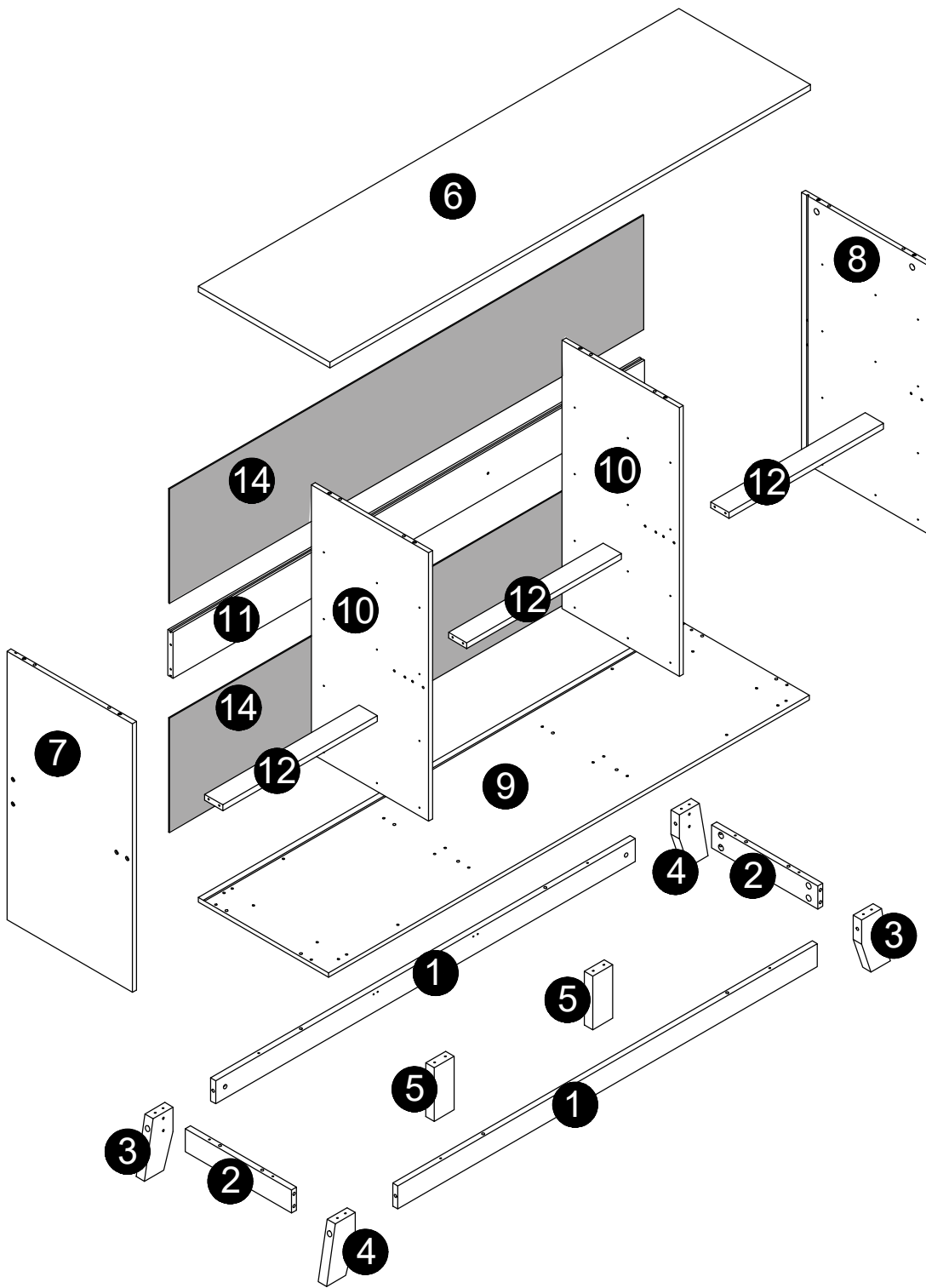


**EN\_Turn** cam lock clockwise to tighten.

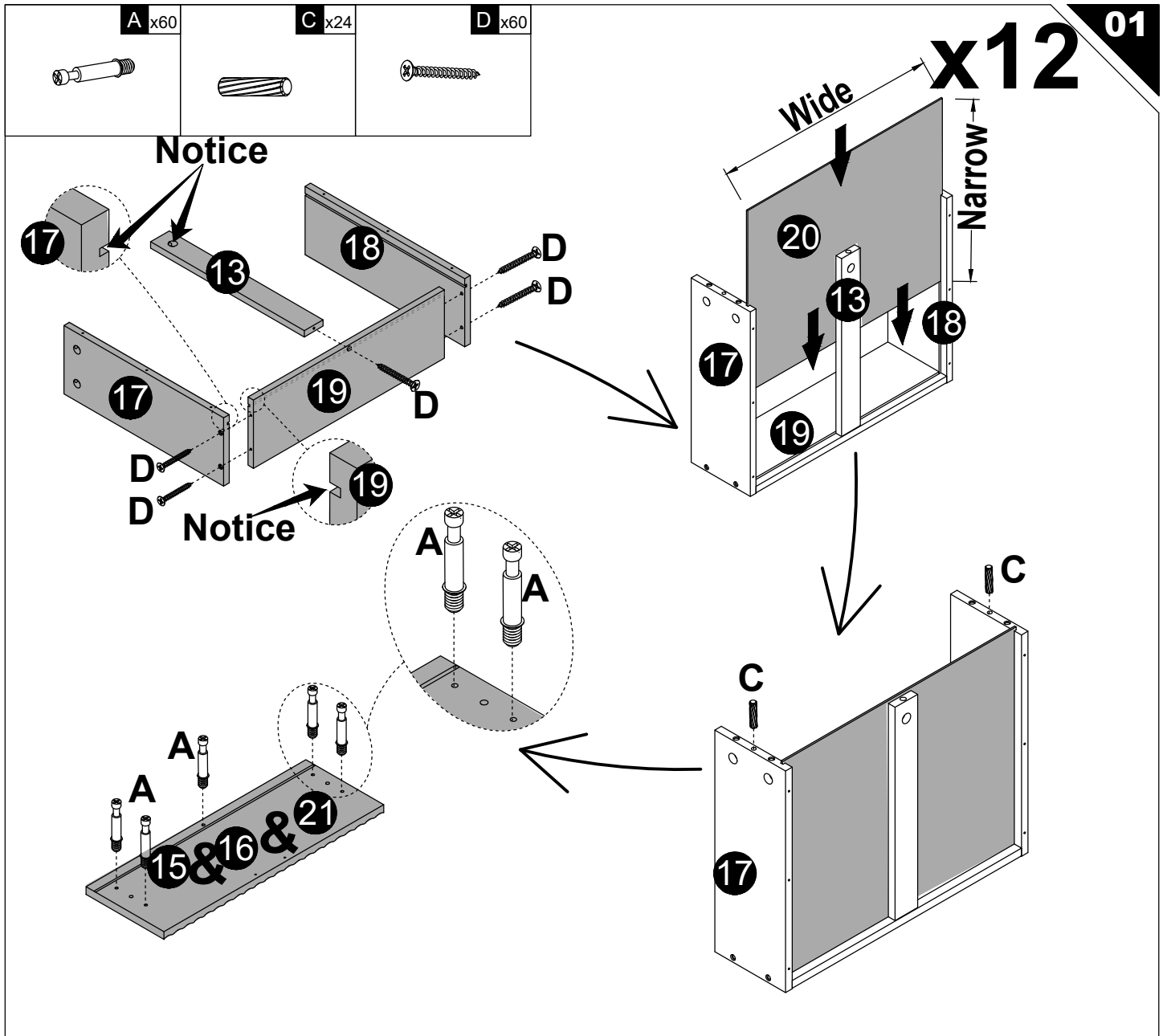
NO.	PARTS	QTY	SPARE
1		x2	
2		x2	
3		x2	
4		x2	
5		x2	
6		x1	
7		x1	
8		x1	
9		x1	
10		x2	

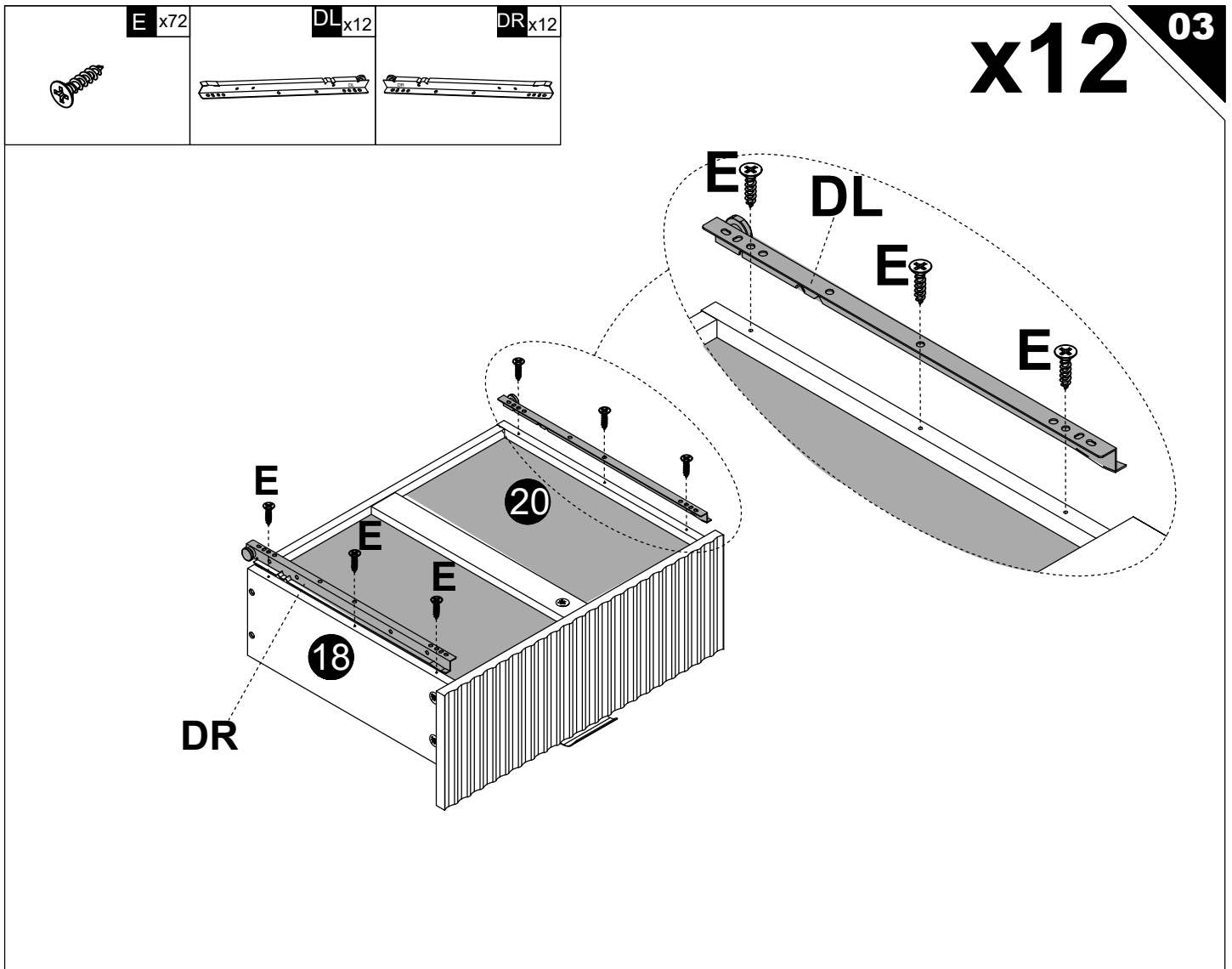
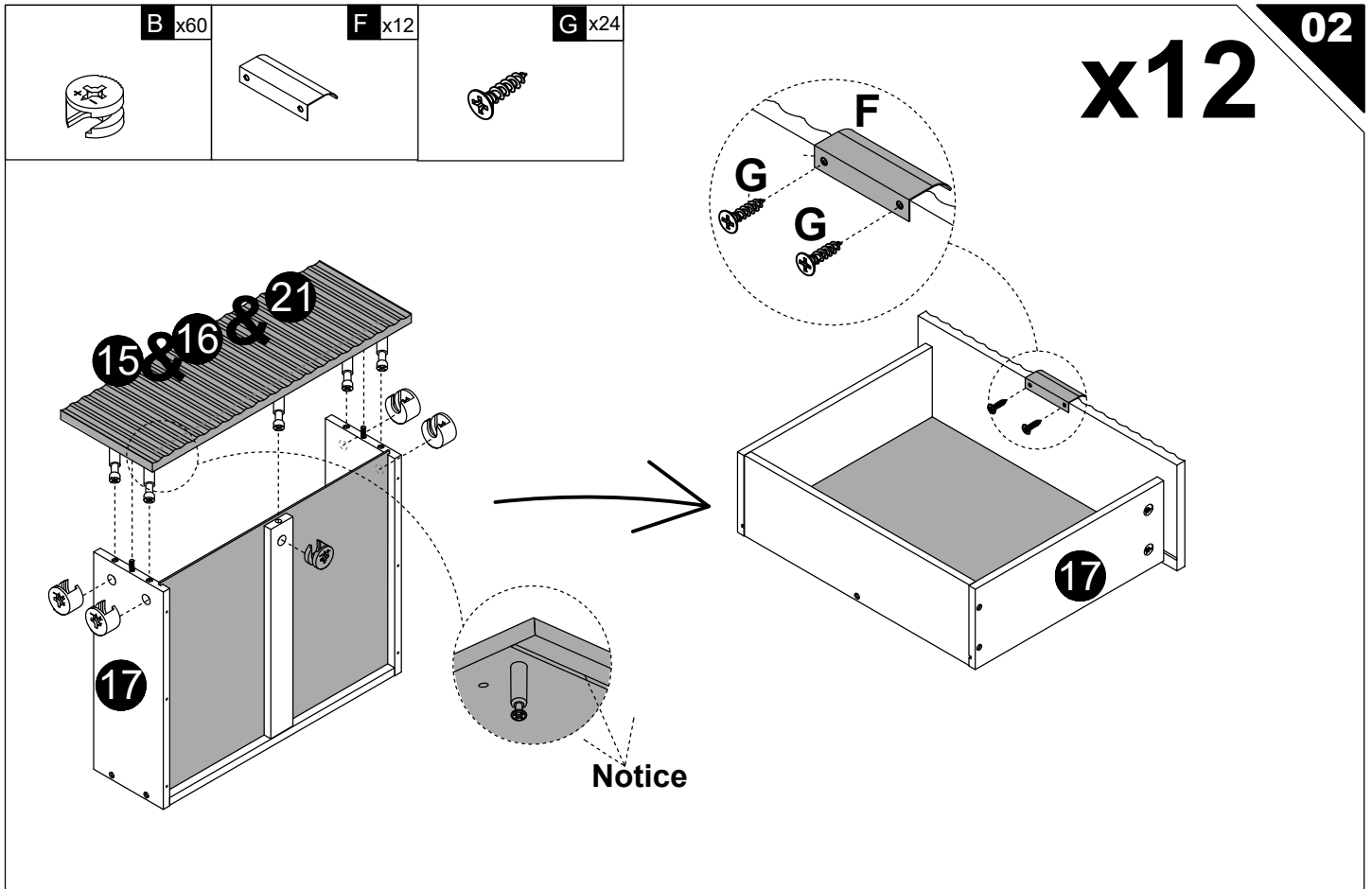
NO.	PARTS	QTY	SPARE
11		x1	
12		x3	
13		x12	
14		x2	
15		x4	
16		x4	
17		x12	
18		x12	
19		x12	
20		x12	

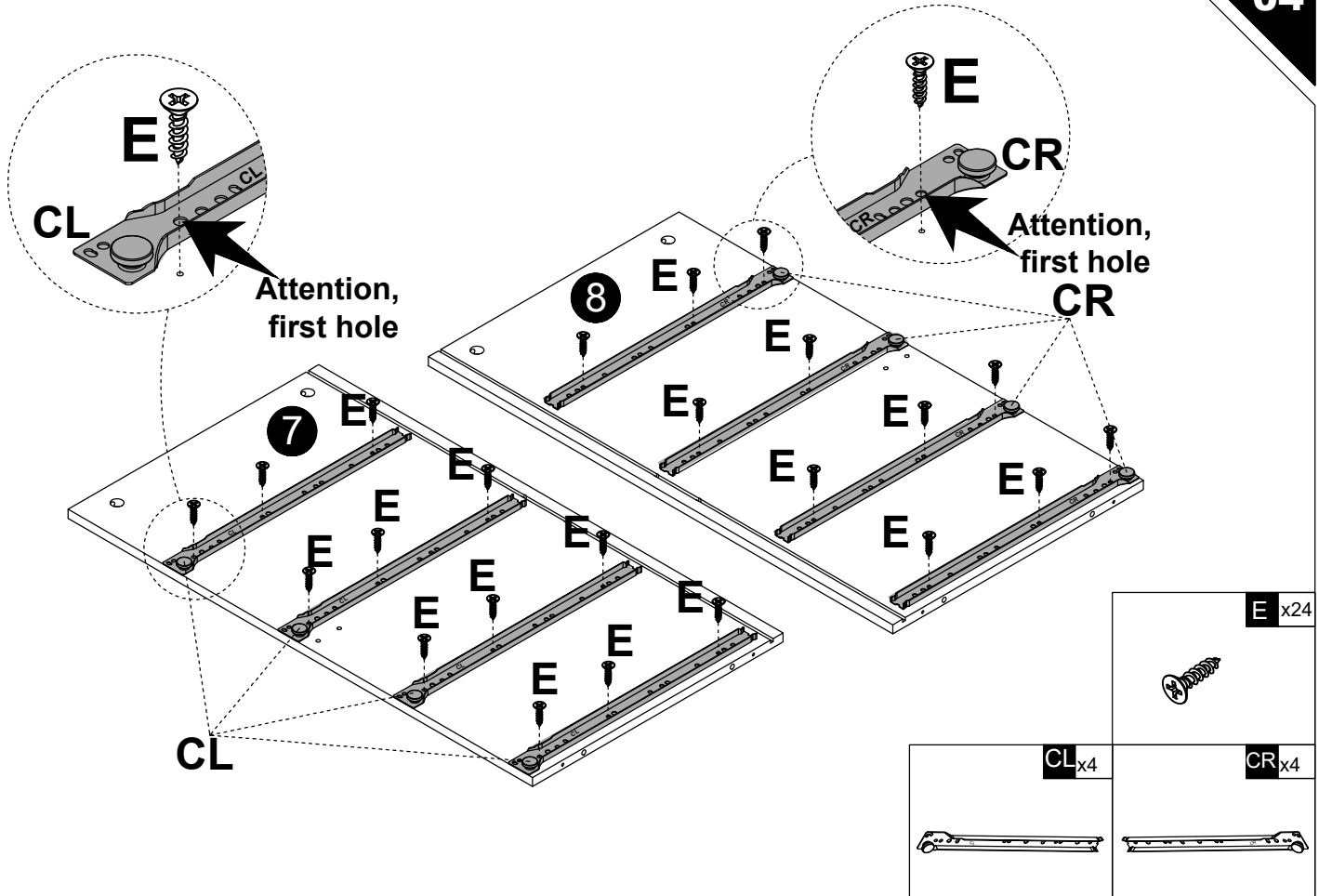




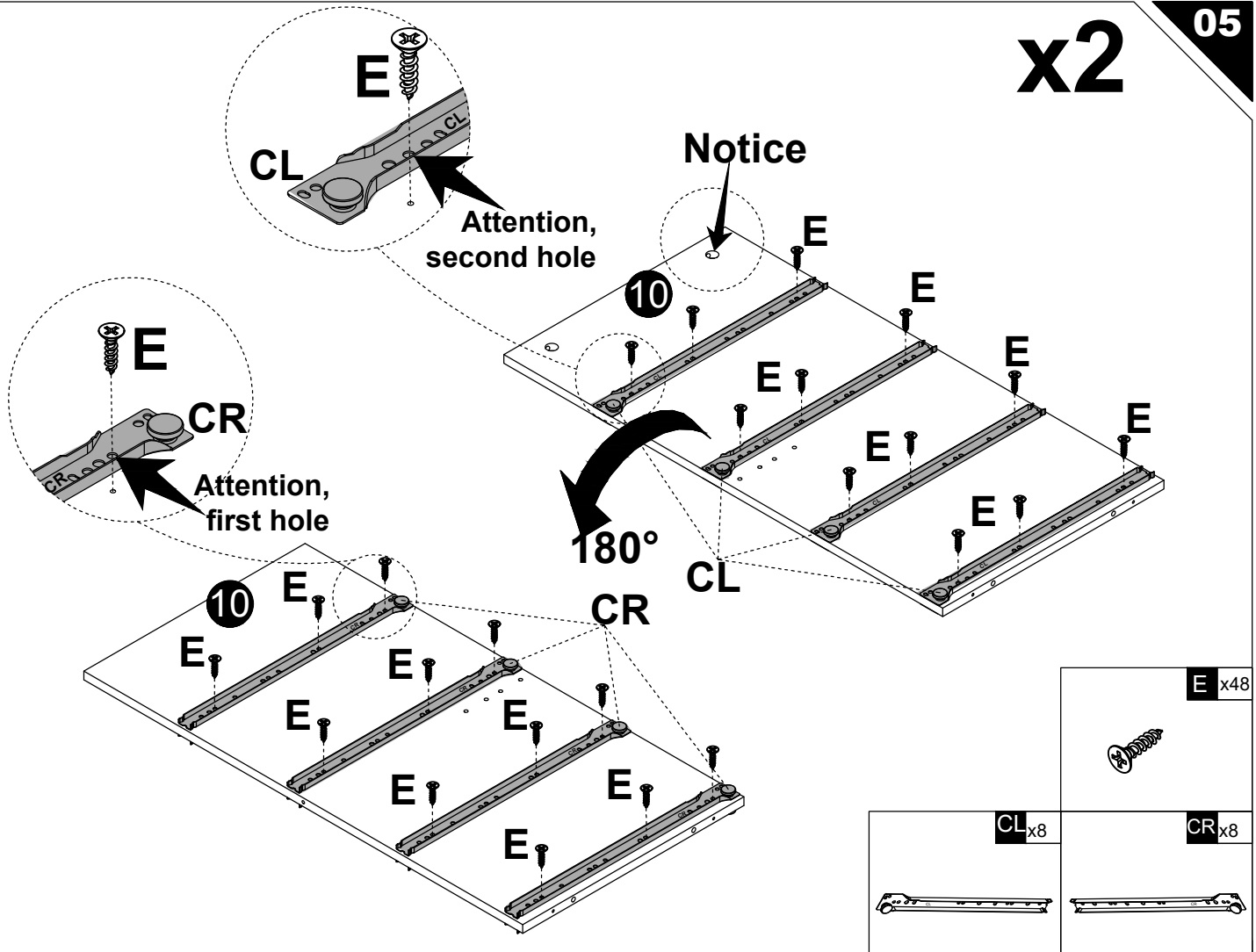
<b>A</b> x76 Ø6x35mm +3(spare)	<b>B</b> x76 Ø15x10mm +3(spare)	<b>C</b> x48 Ø6x30mm +3(spare)	<b>D</b> x70 Ø4x35mm +3(spare)	<b>E</b> x144 Ø3.5x12mm +6(spare)	<b>F</b> x12
<b>G</b> x24 Ø3.5x10mm +2(spare)	<b>H1</b> <b>H2</b> Ø3x16mm +1(spare)	<b>I</b> x2 Ø6x30mm	<b>J</b> x2 Ø4x14mm	<b>K</b> x38 Ø5x35mm +3(spare)	<b>L</b> x2
<b>M</b> x4 Ø6x80mm	<b>N</b> x4 Ø10x10mm	<b>O</b> x4	<b>P</b> x16 Ø4x12mm +2(spare)	<b>Q</b> x4	<b>R</b> x12 +2(spare)
<b>S</b> x2	<b>CL</b> x12 350mm	<b>CR</b> x12 350mm	<b>DL</b> x12 350mm	<b>DR</b> x12 350mm	

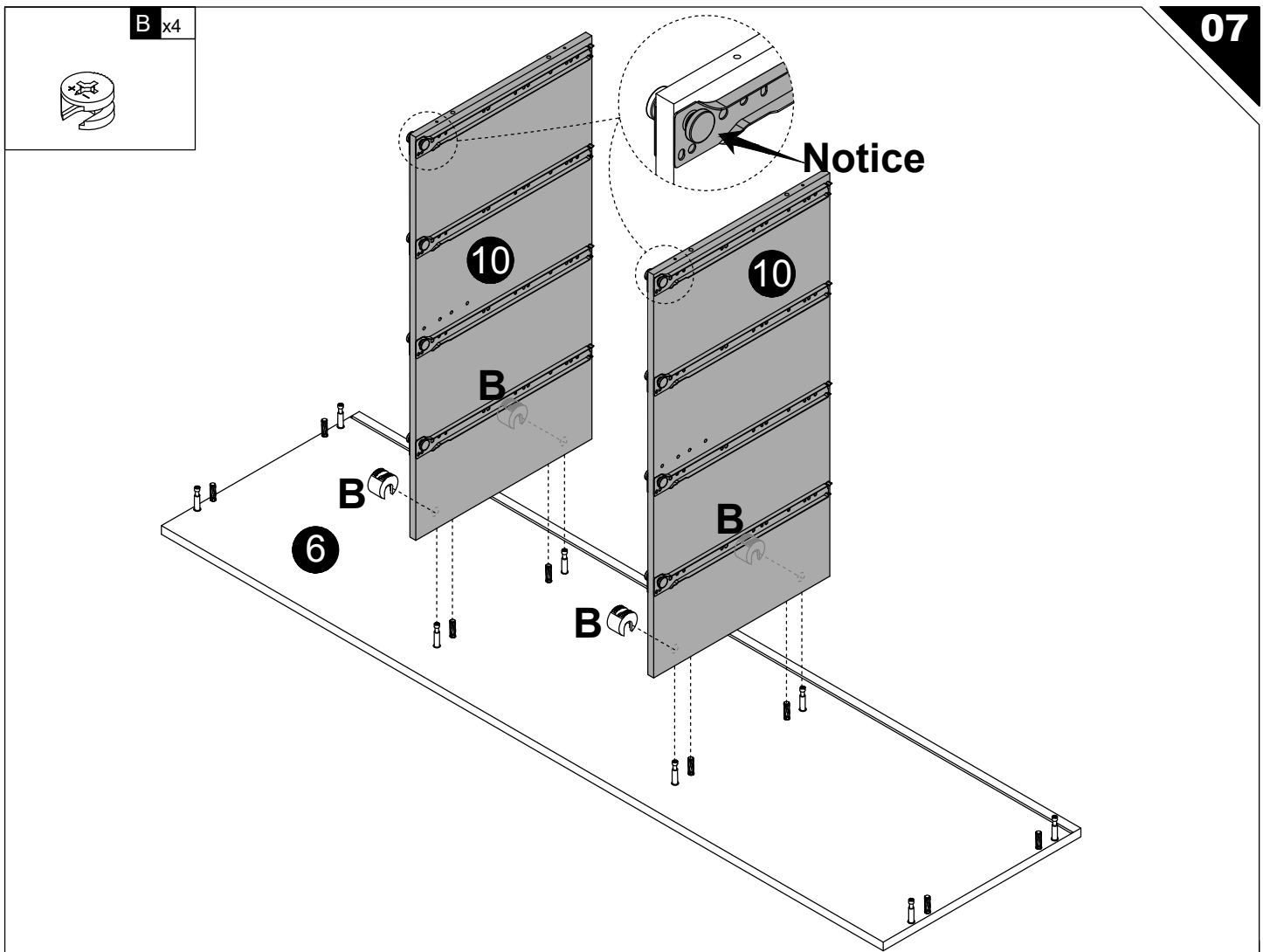
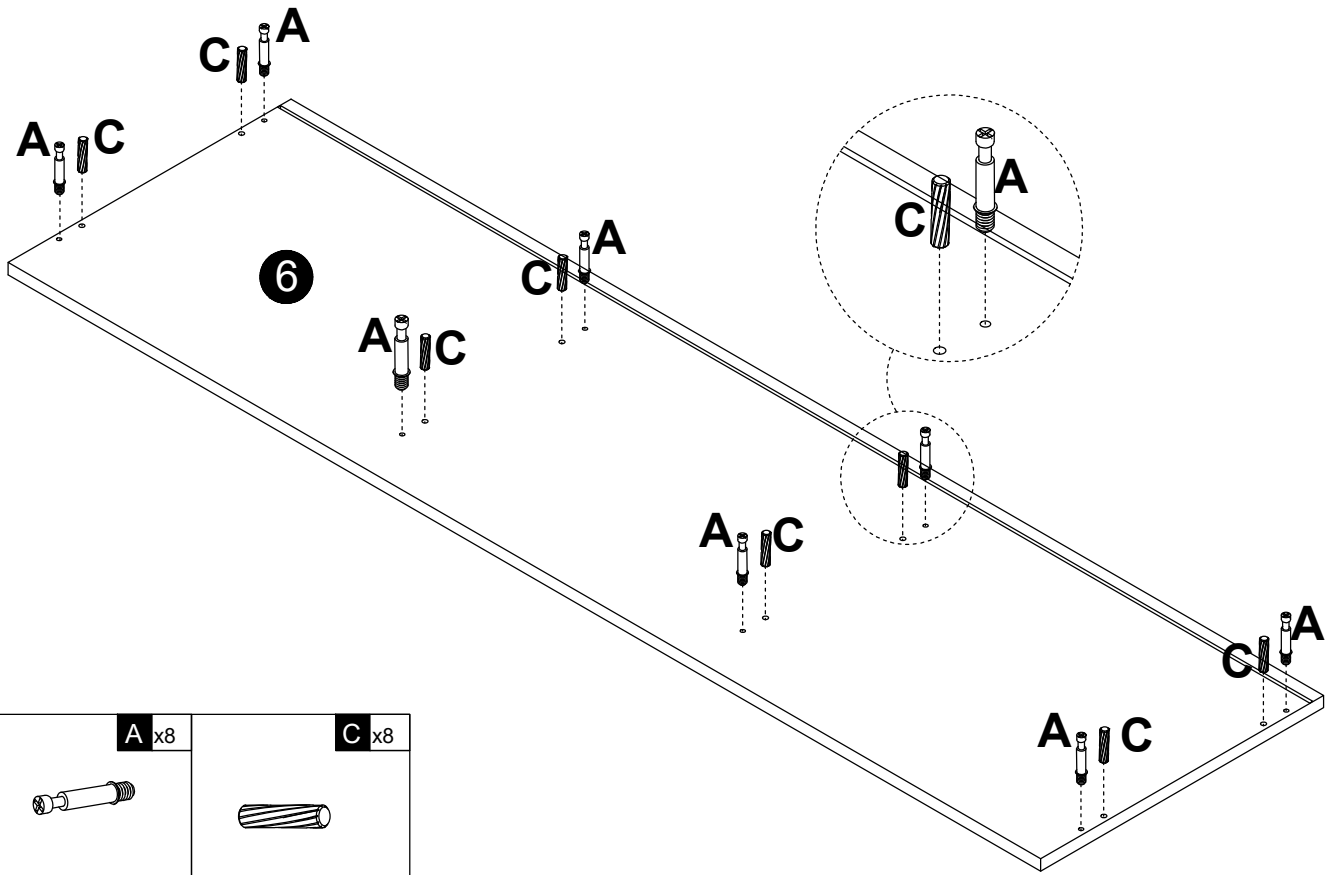


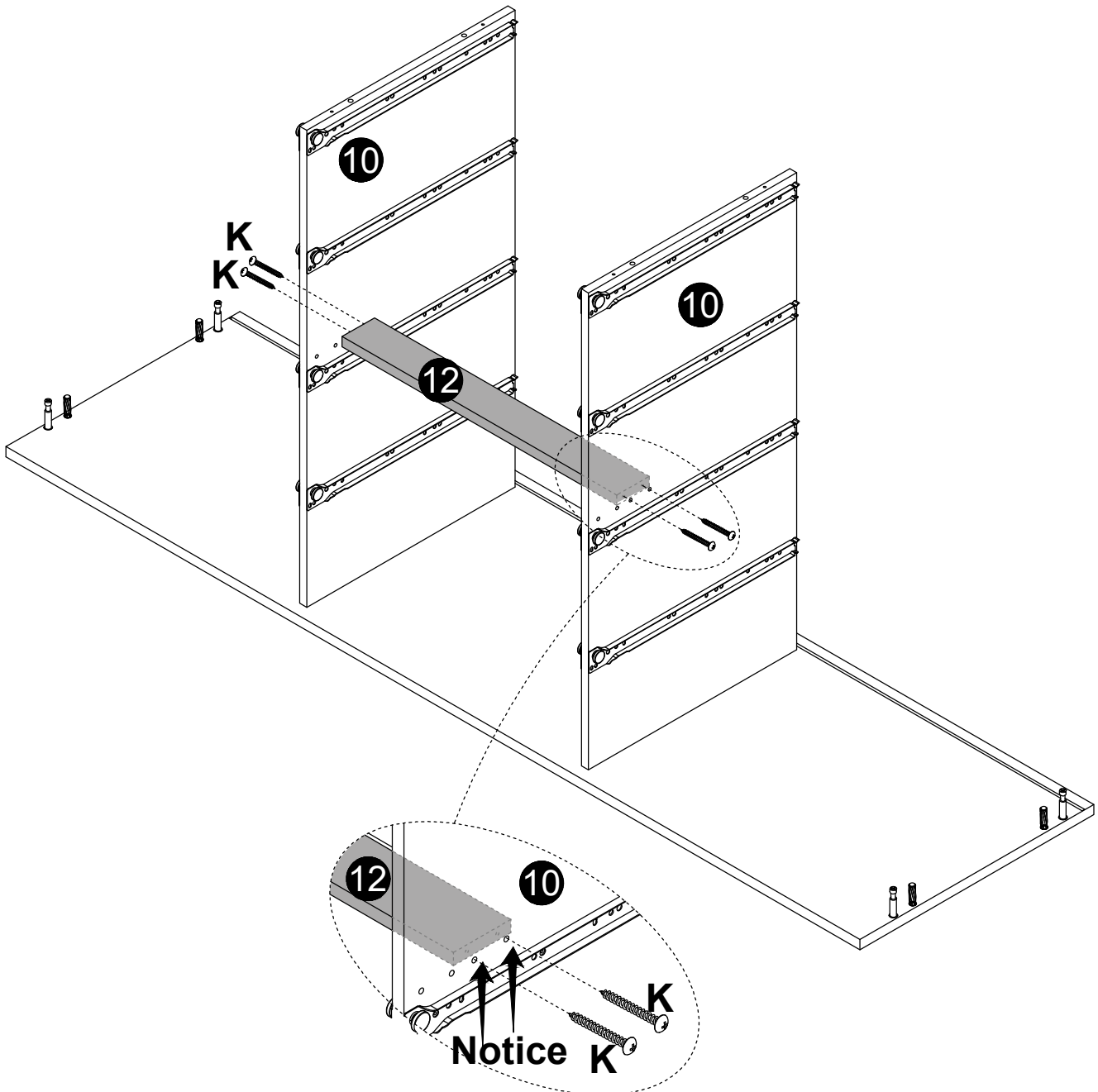




x2



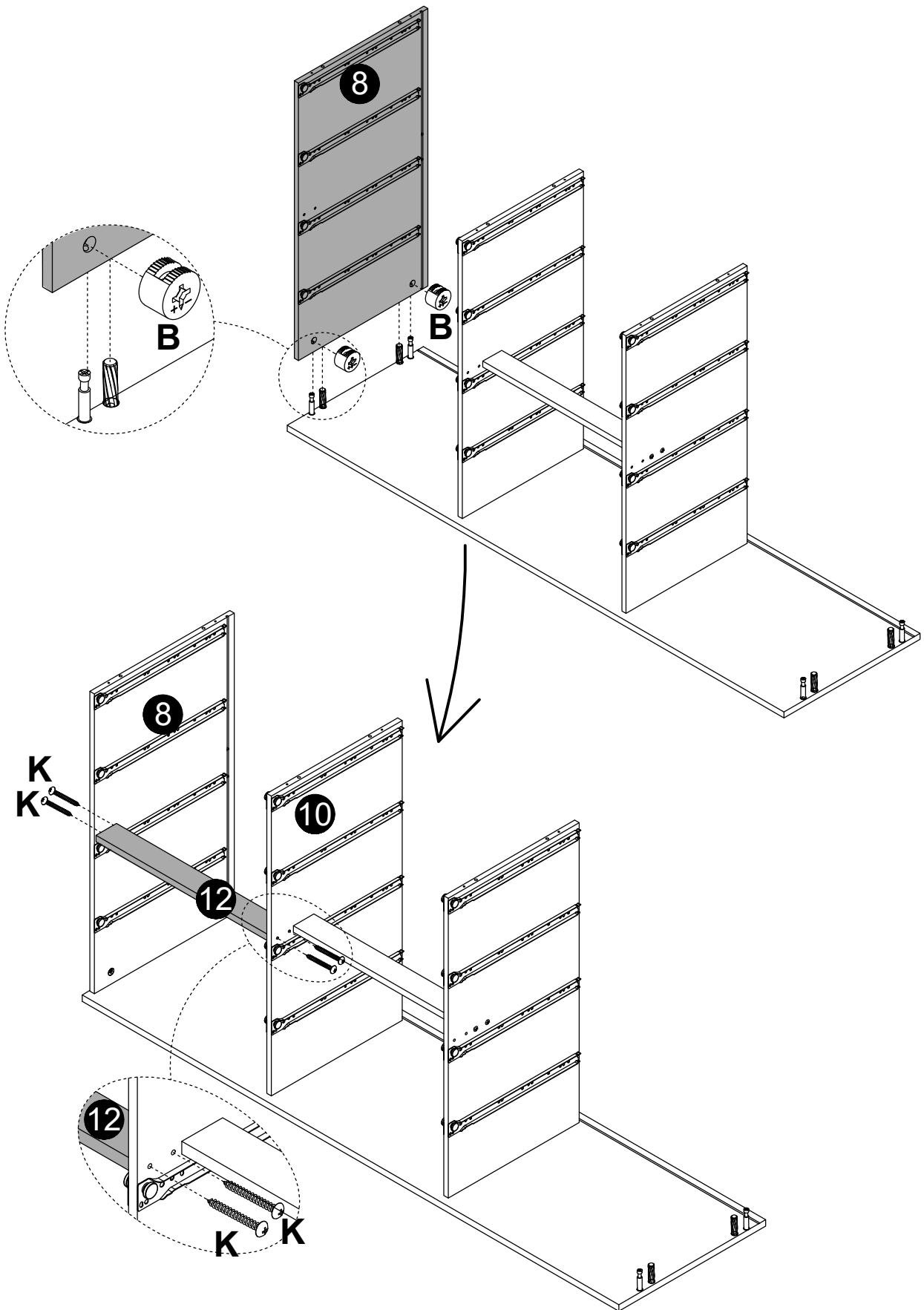
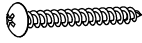




**Attention: Use screw "K" to pass through the third and fourth holes of plates 10 and 10 and connect to plate 12.**

B x2

K x4



B x2

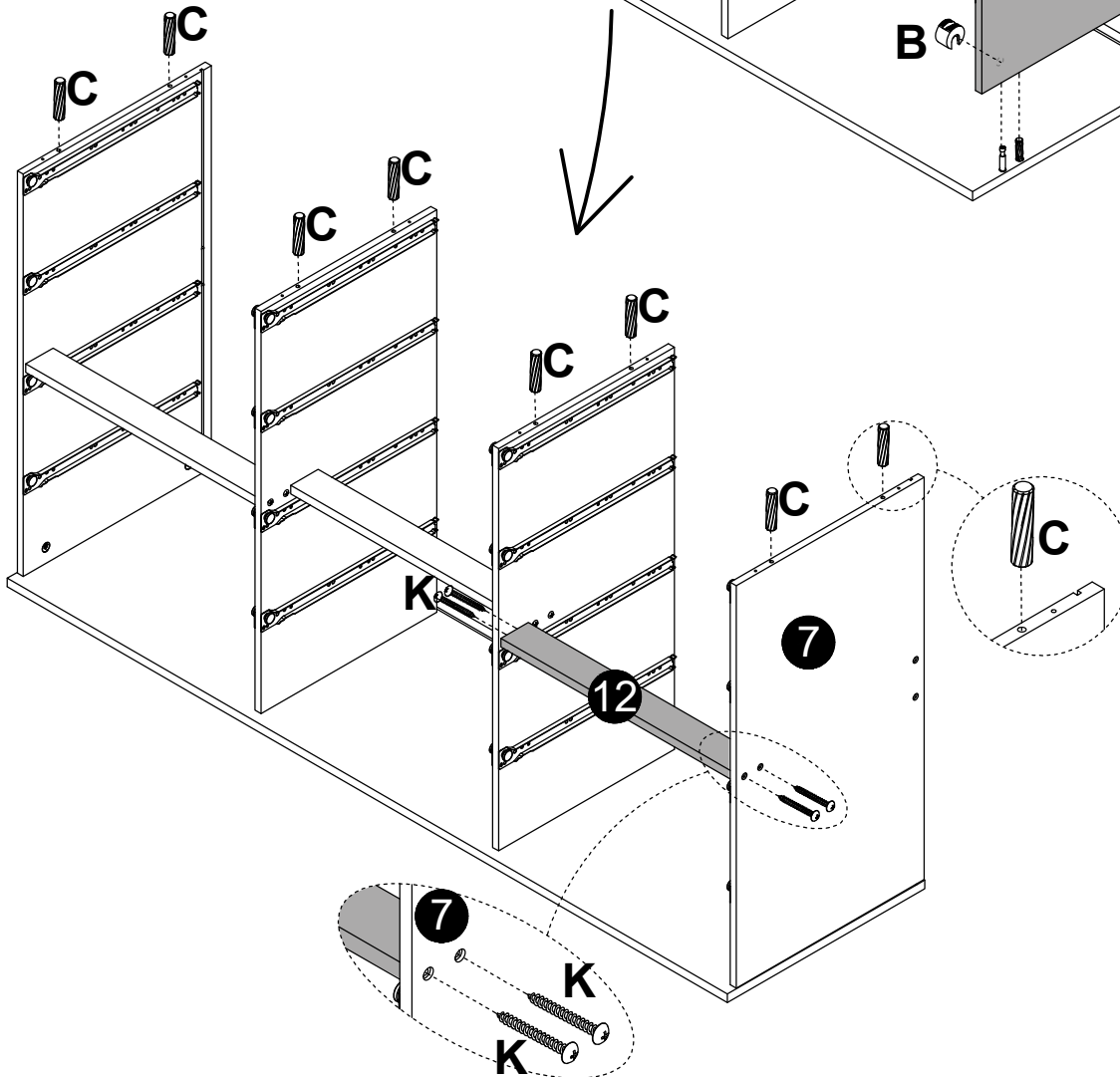
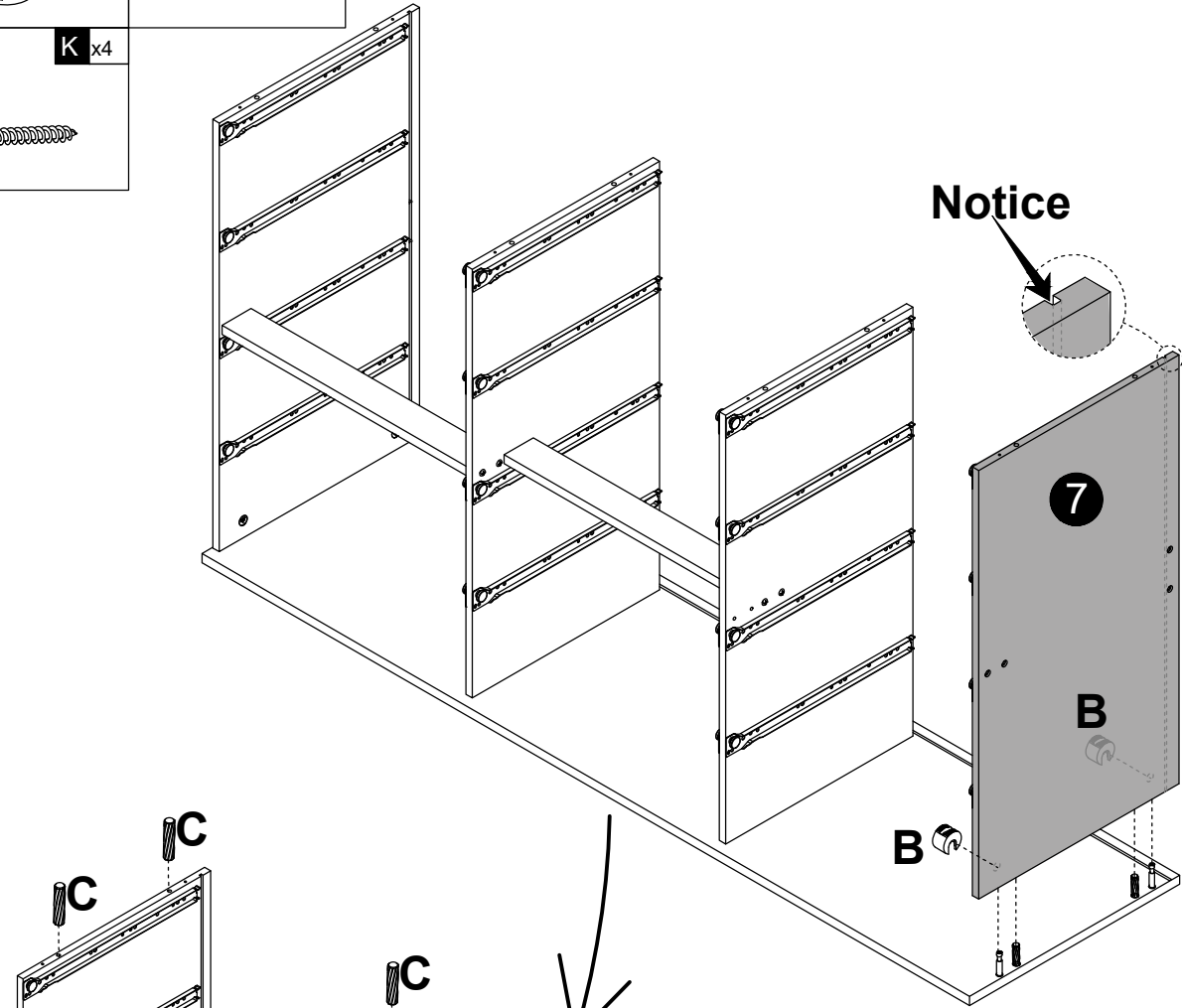
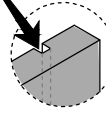
C x8



K x4

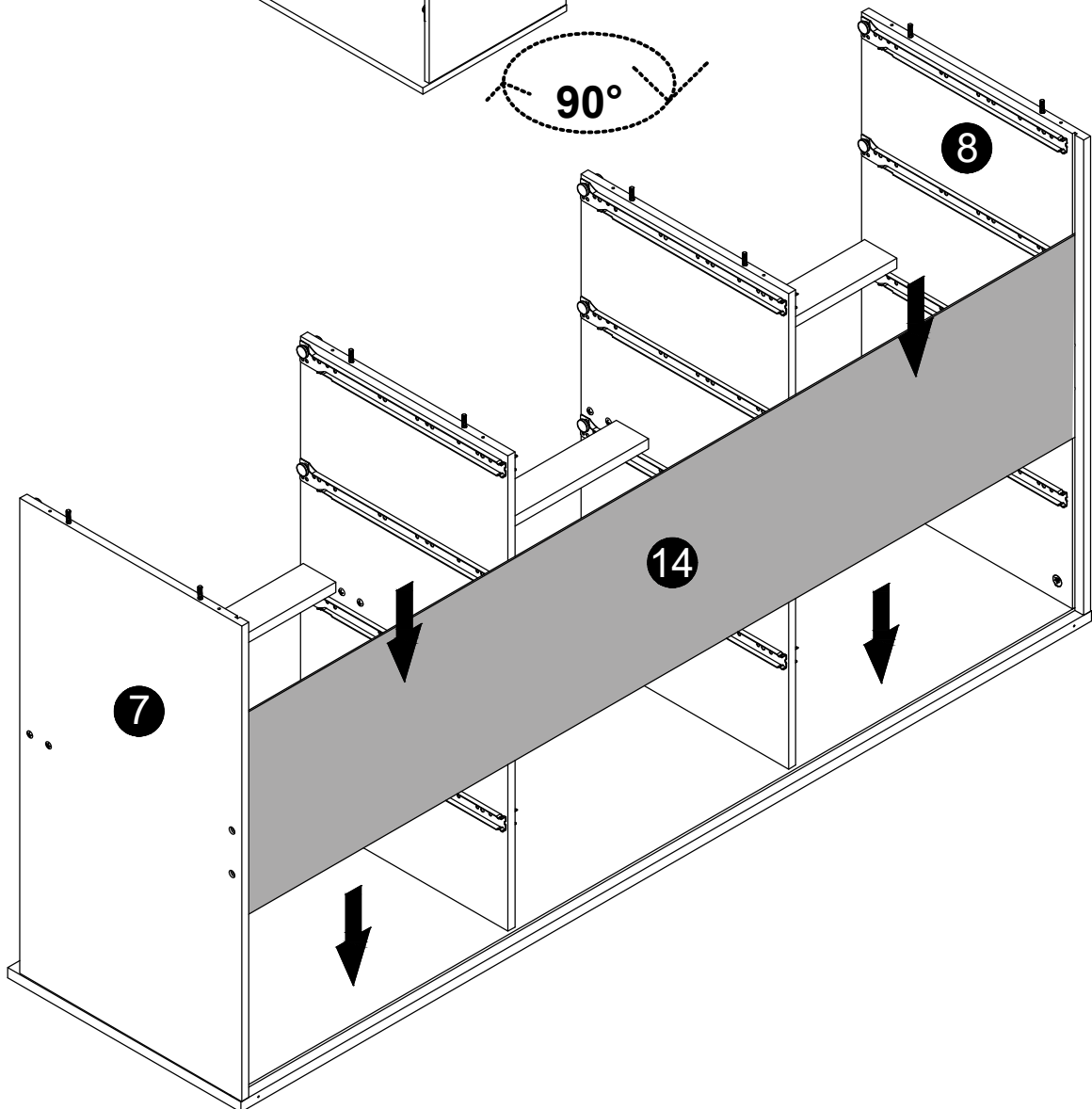
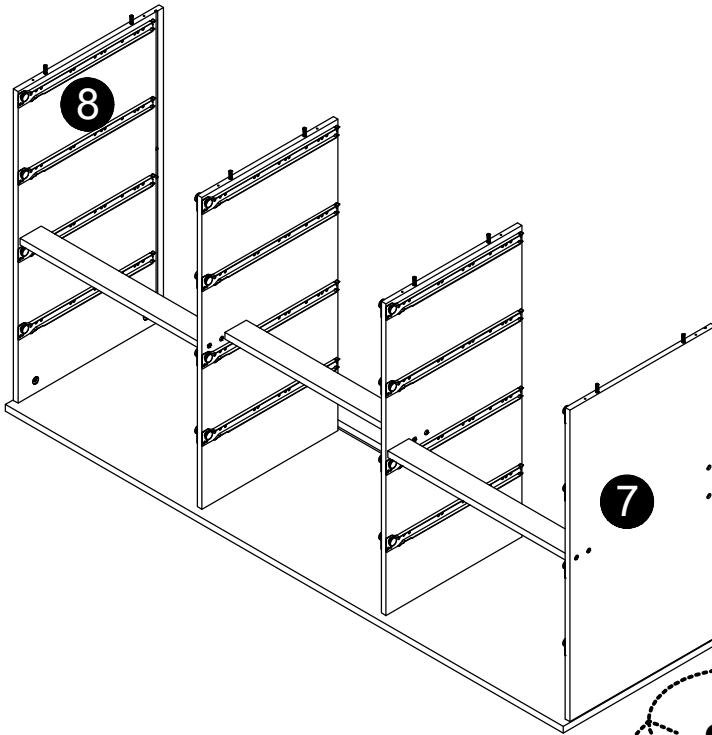
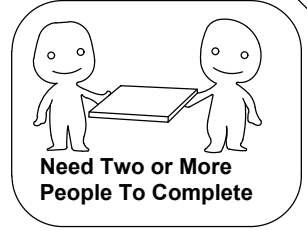


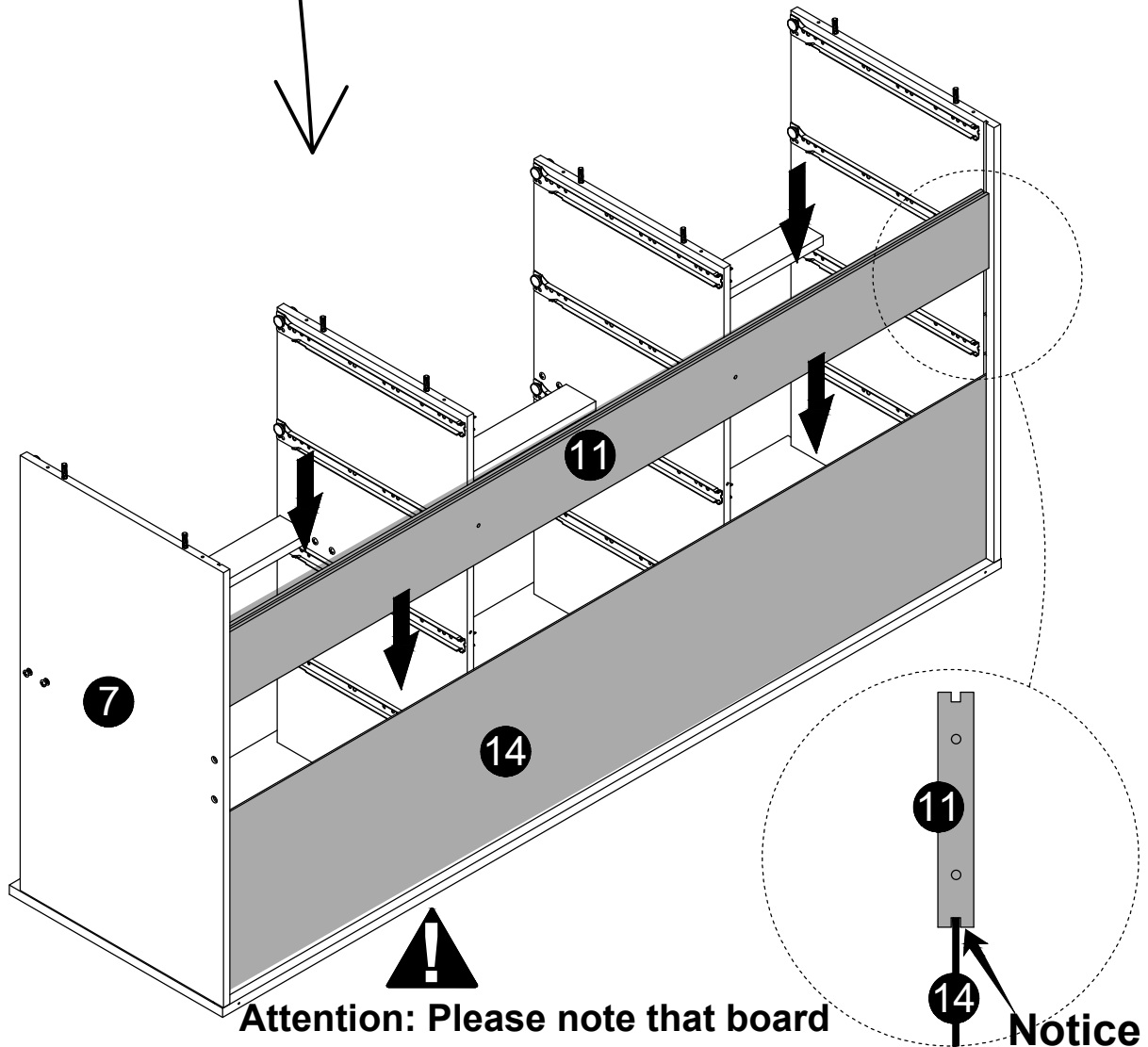
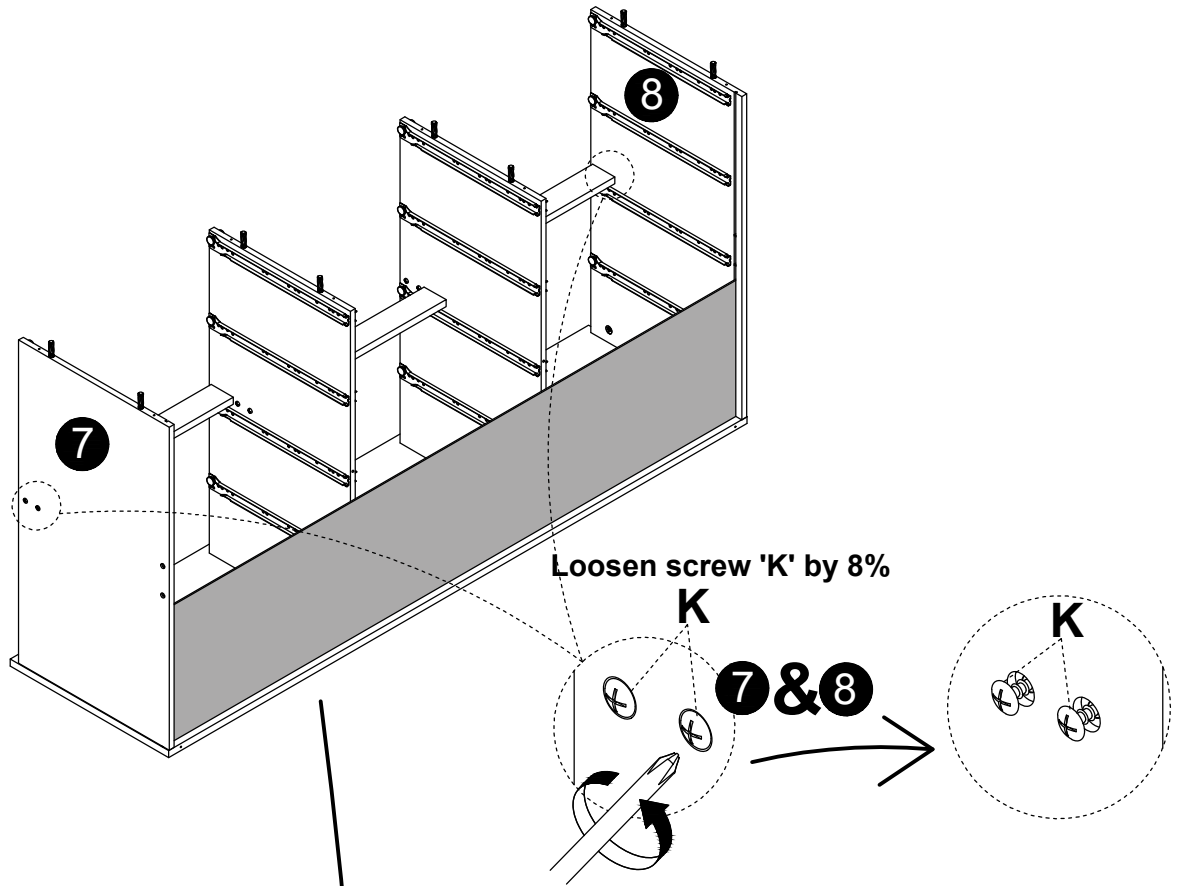
Notice



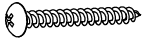


Note: At least two people are required for this step.

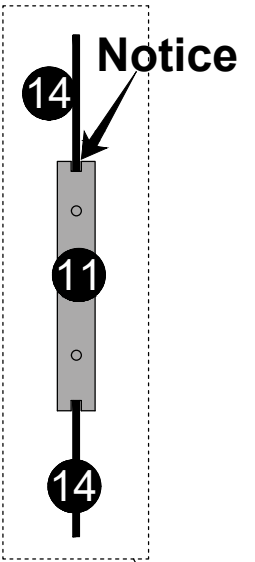
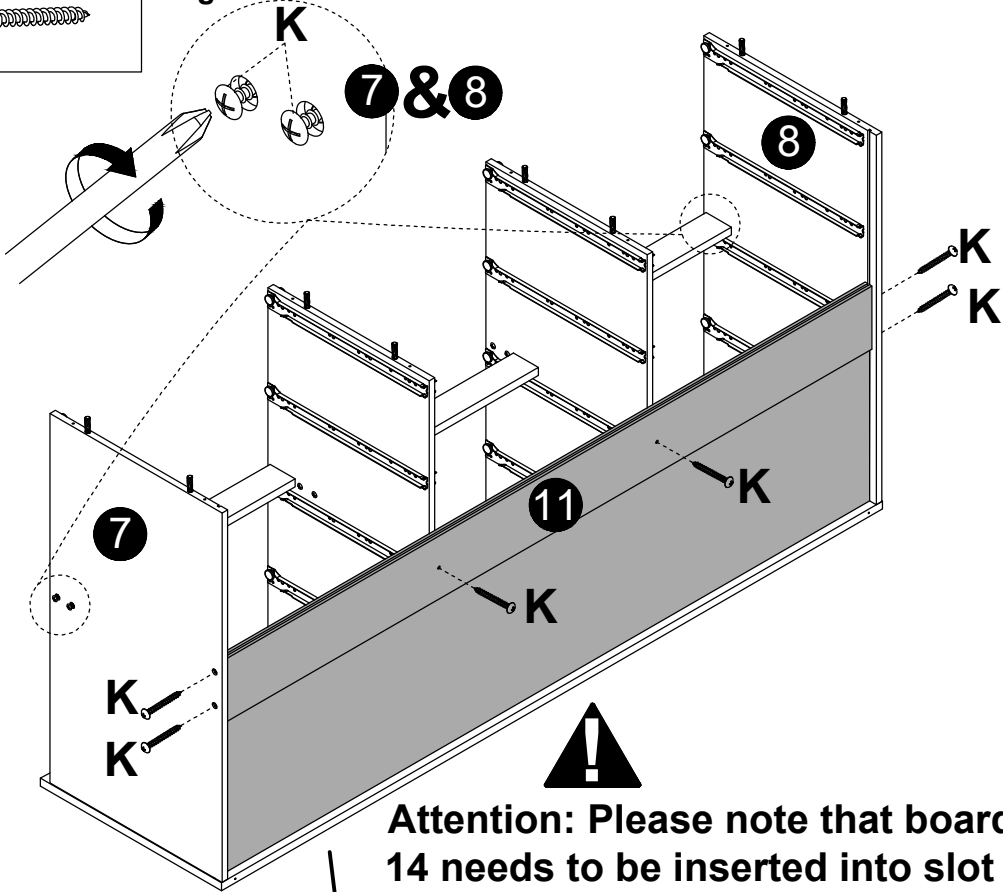




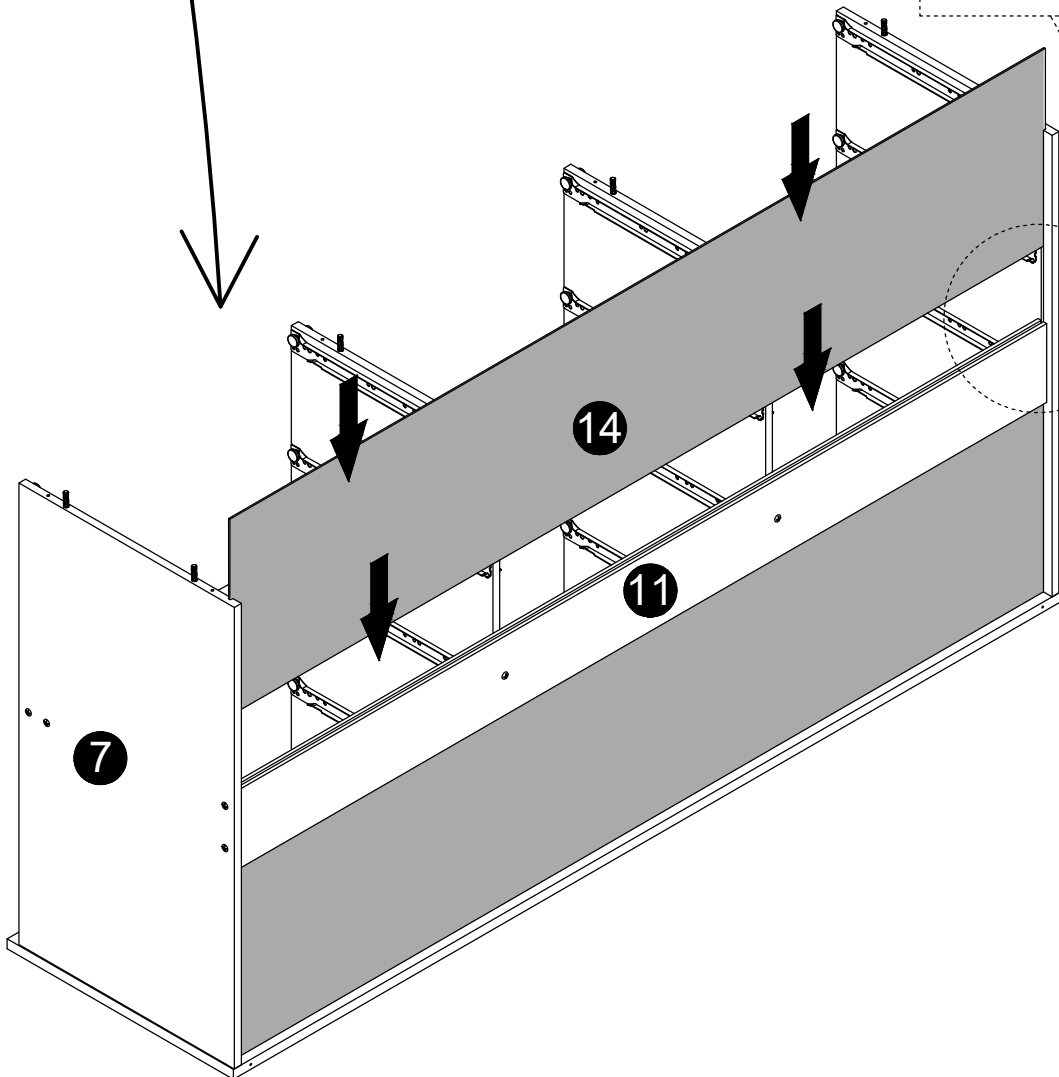
K x6



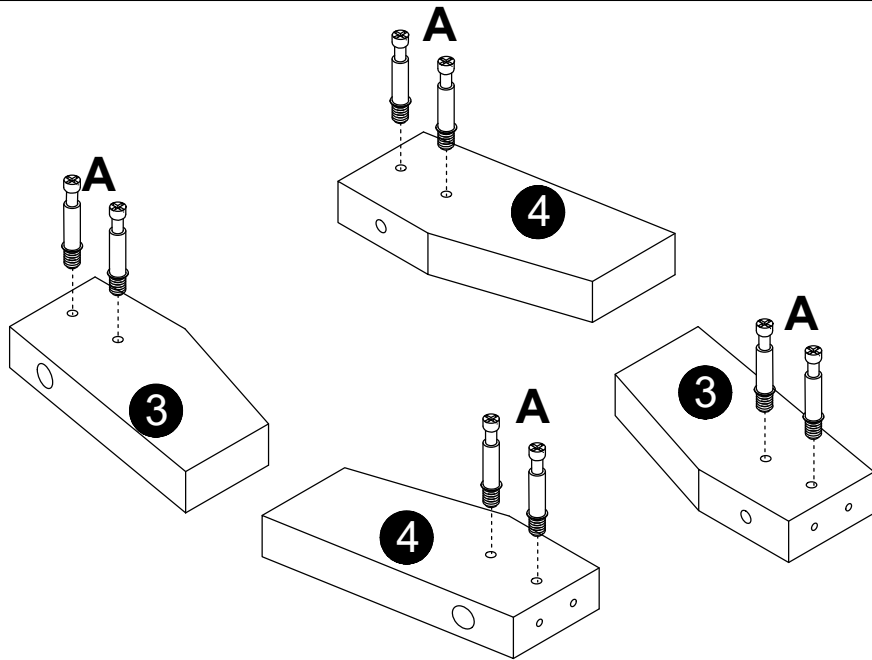
Tighten screw 'K' to 100%



**Attention:** Please note that board 14 needs to be inserted into slot 11.



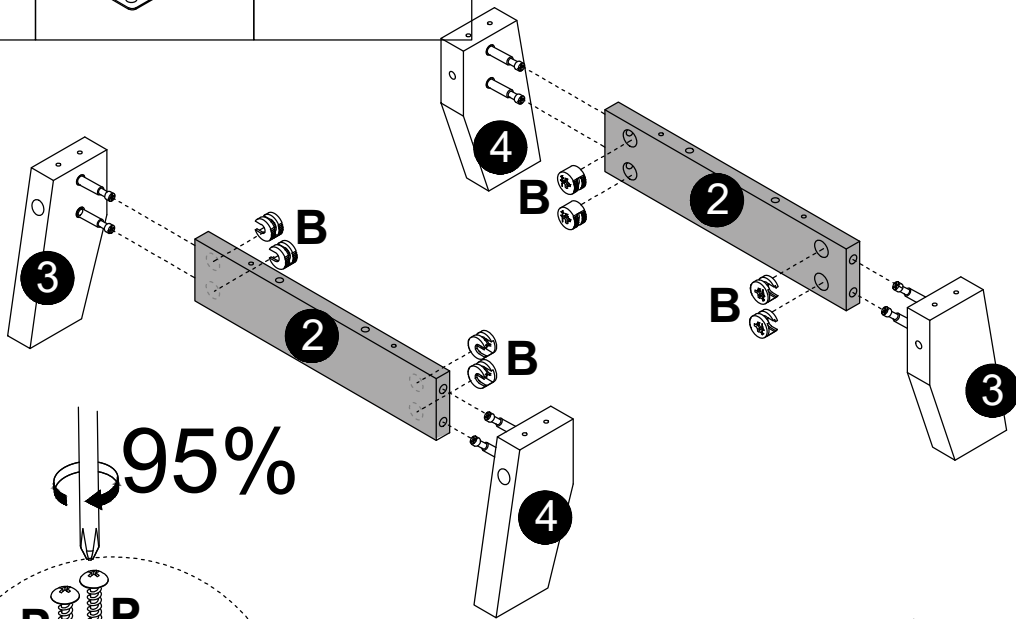
A x8



B x8

O x4

P x8



95%

P P

Lock the screw "P" to 95%, do not fully tighten it.

Notice

O

1

P

O

P

O

95%

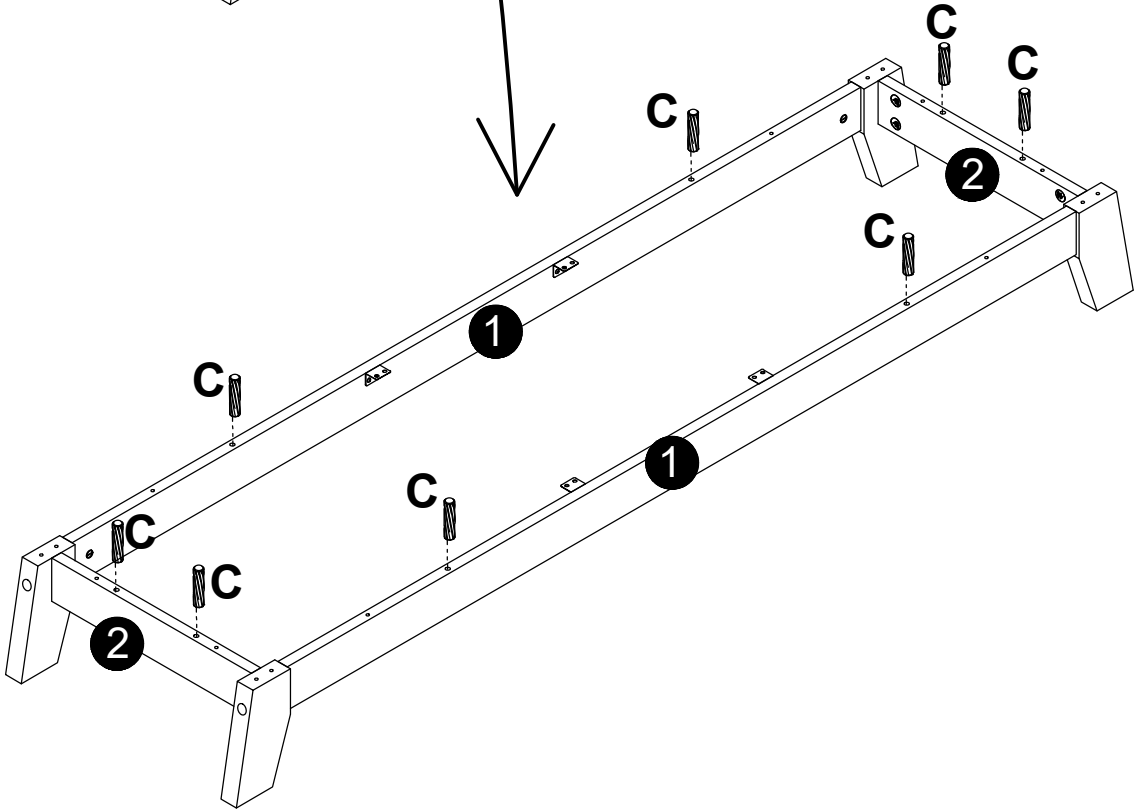
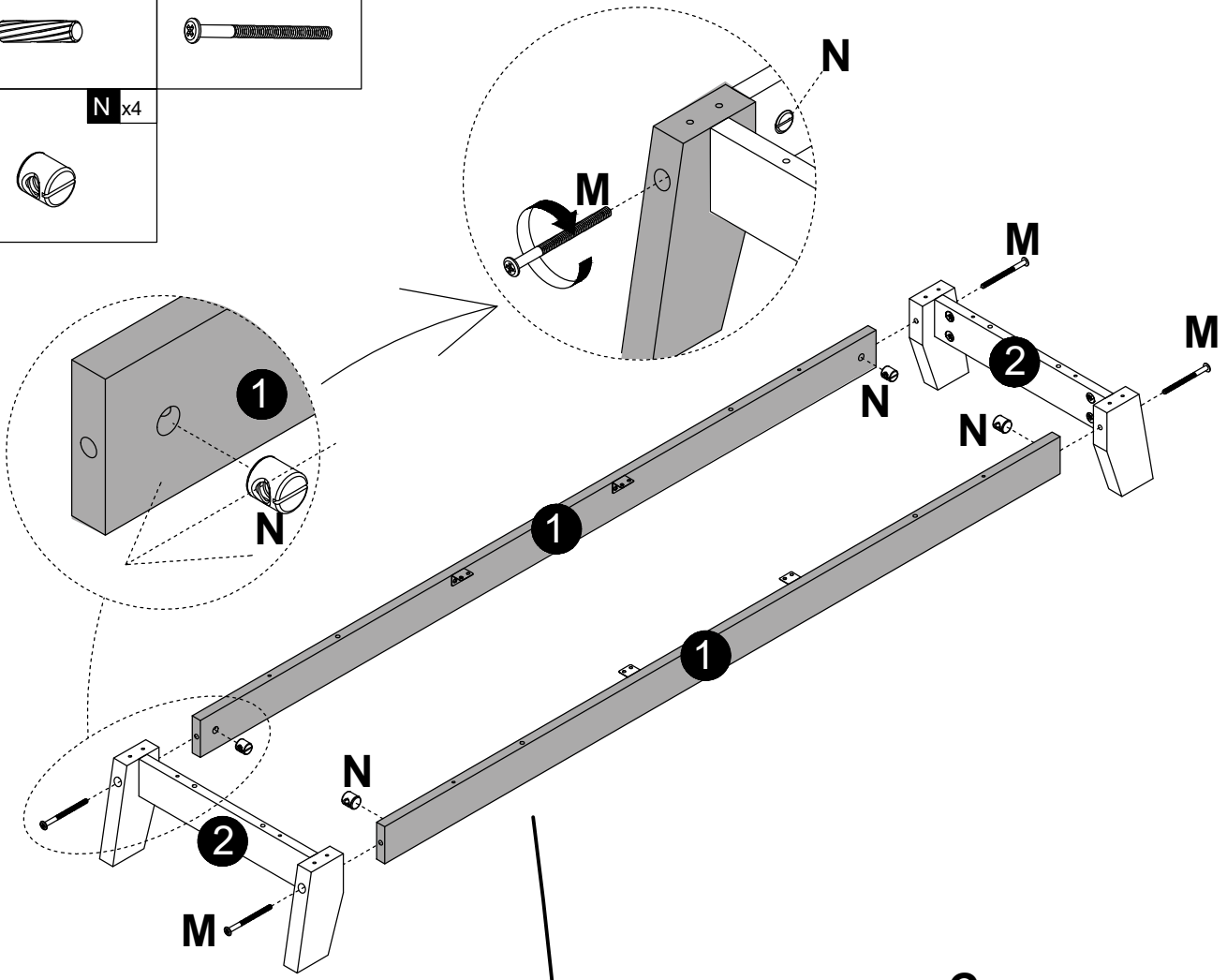
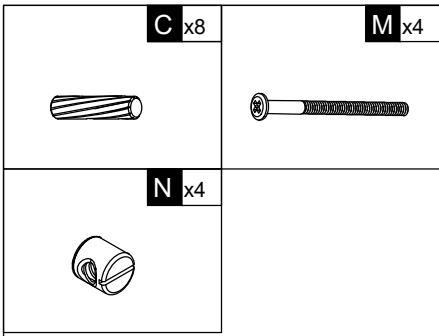
P P

Lock the screw "P" to 95%, do not fully tighten it.

Notice

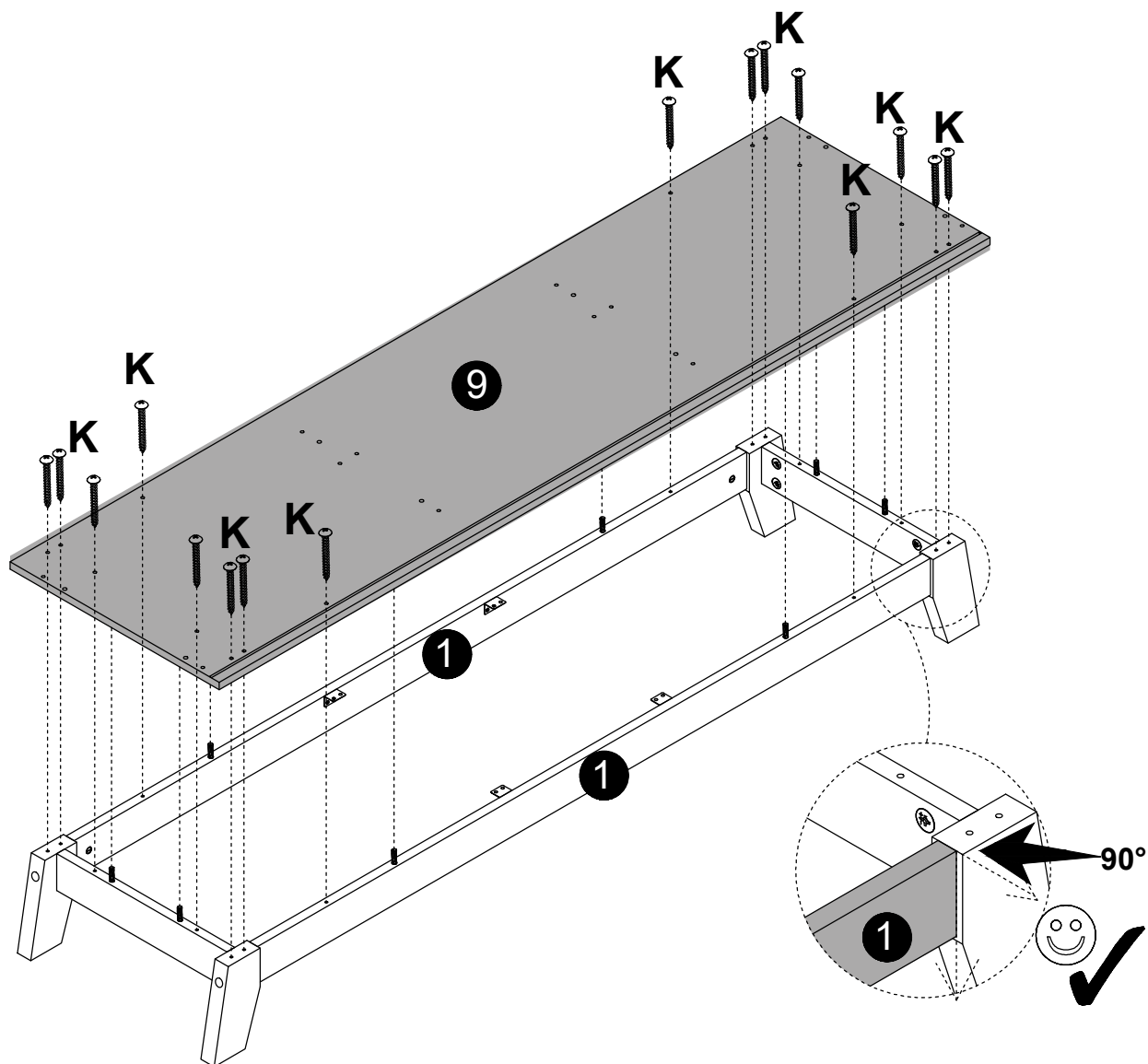
1

Notice

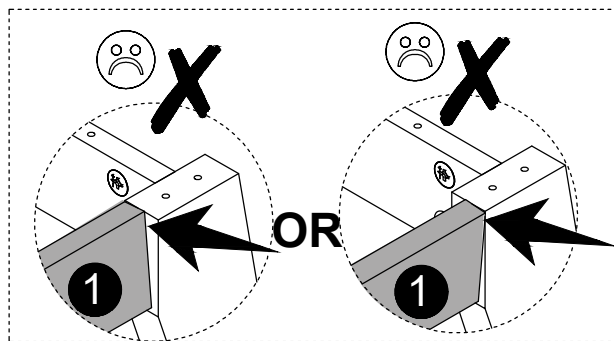
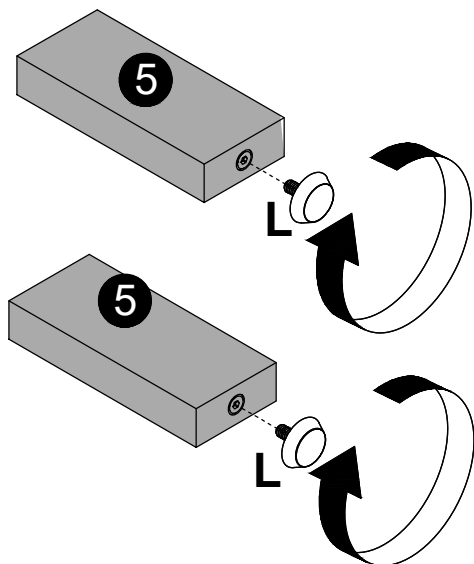


K x16

L x2



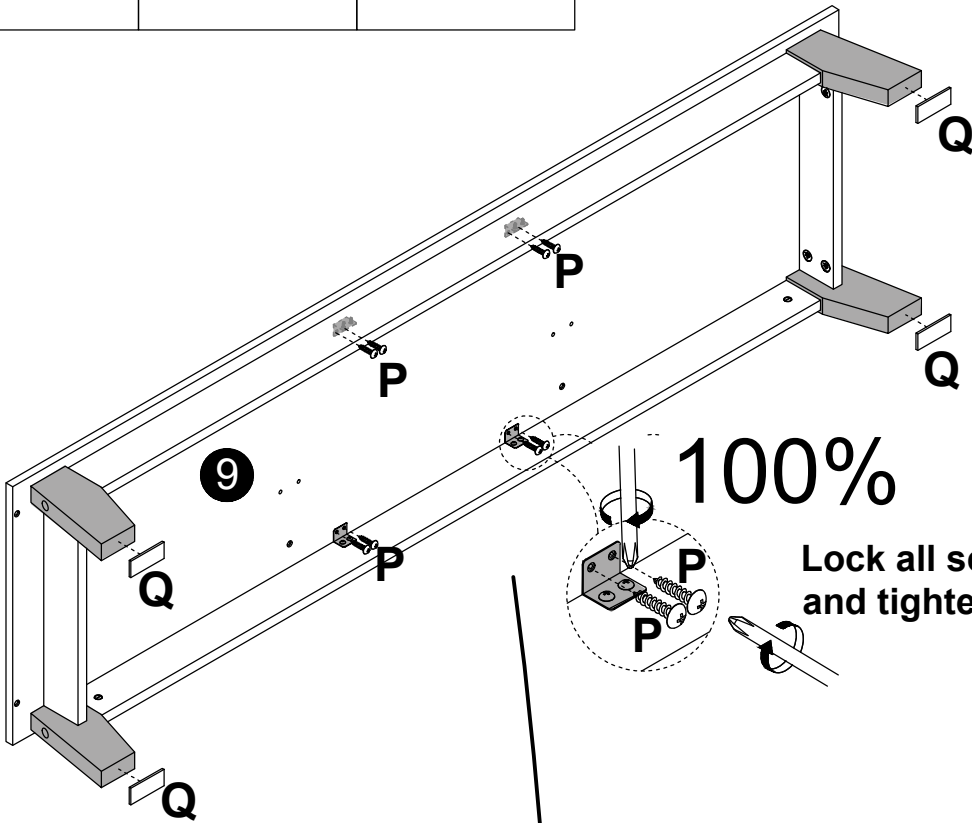
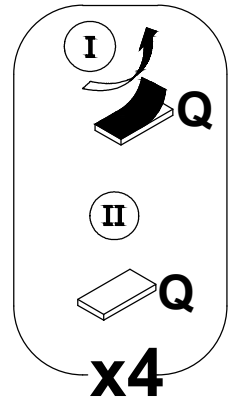
If board 1 does not have a 90 degree angle, please rotate board 1 90 degrees by hand.



P x8

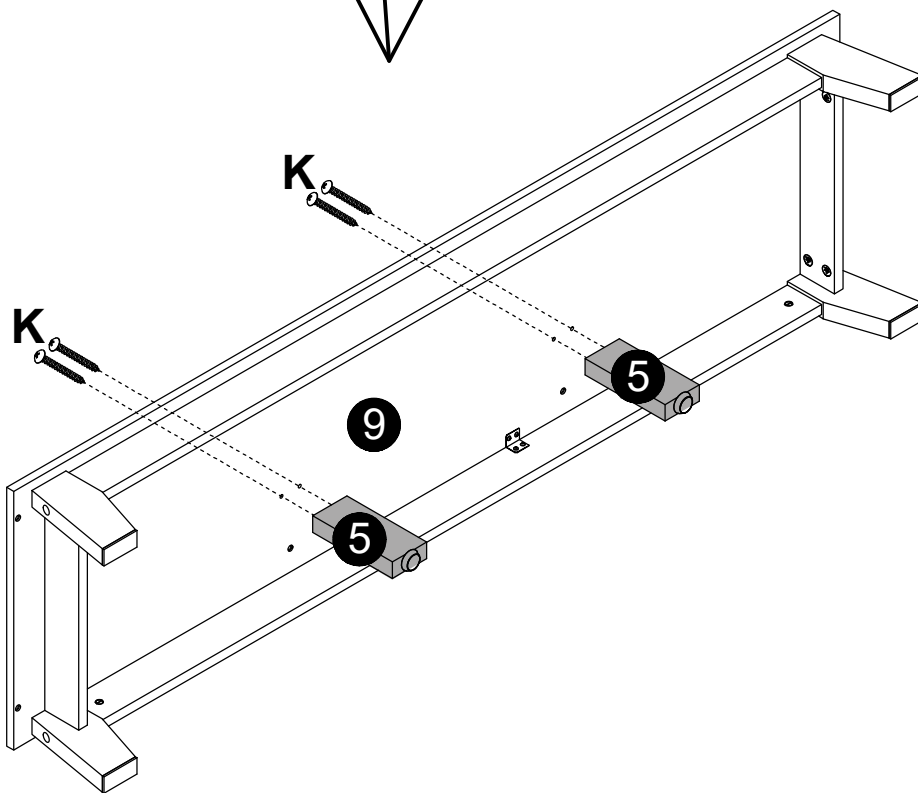
Q x4

K x4

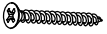


100%

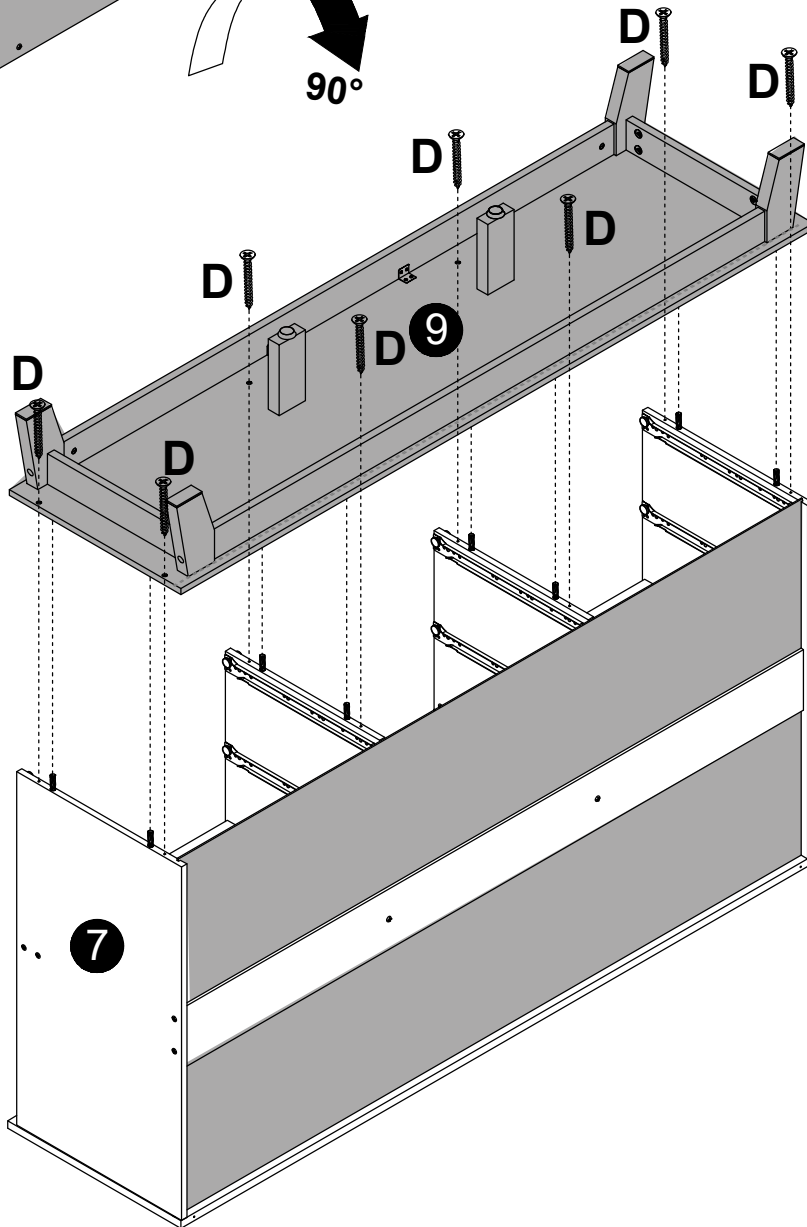
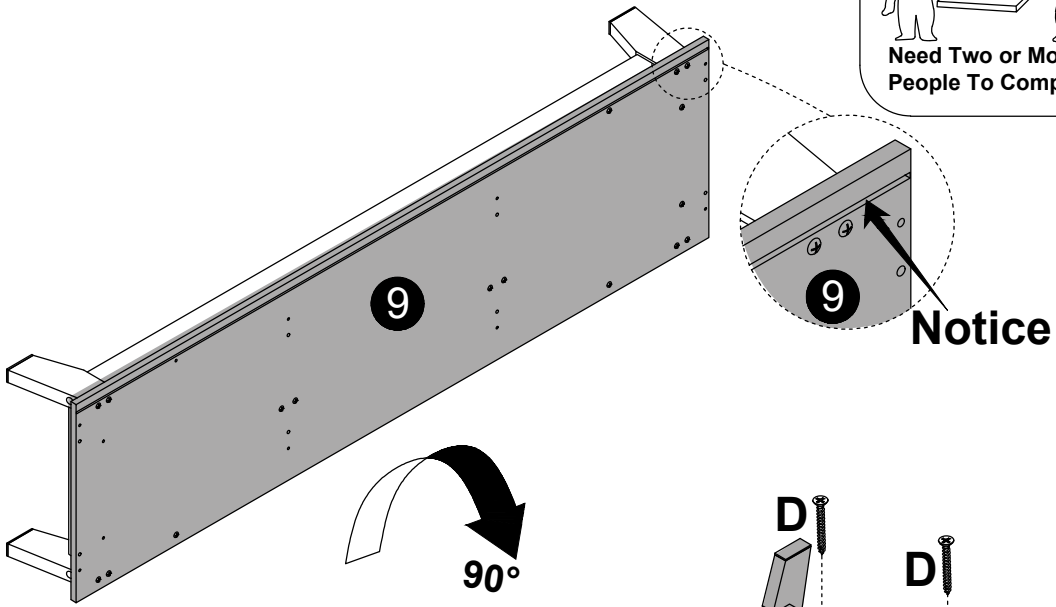
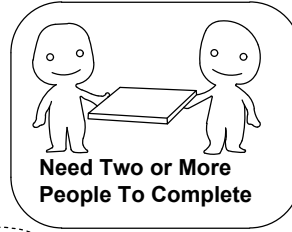
Lock all screws "P" to 100% and tighten them completely.



D x8



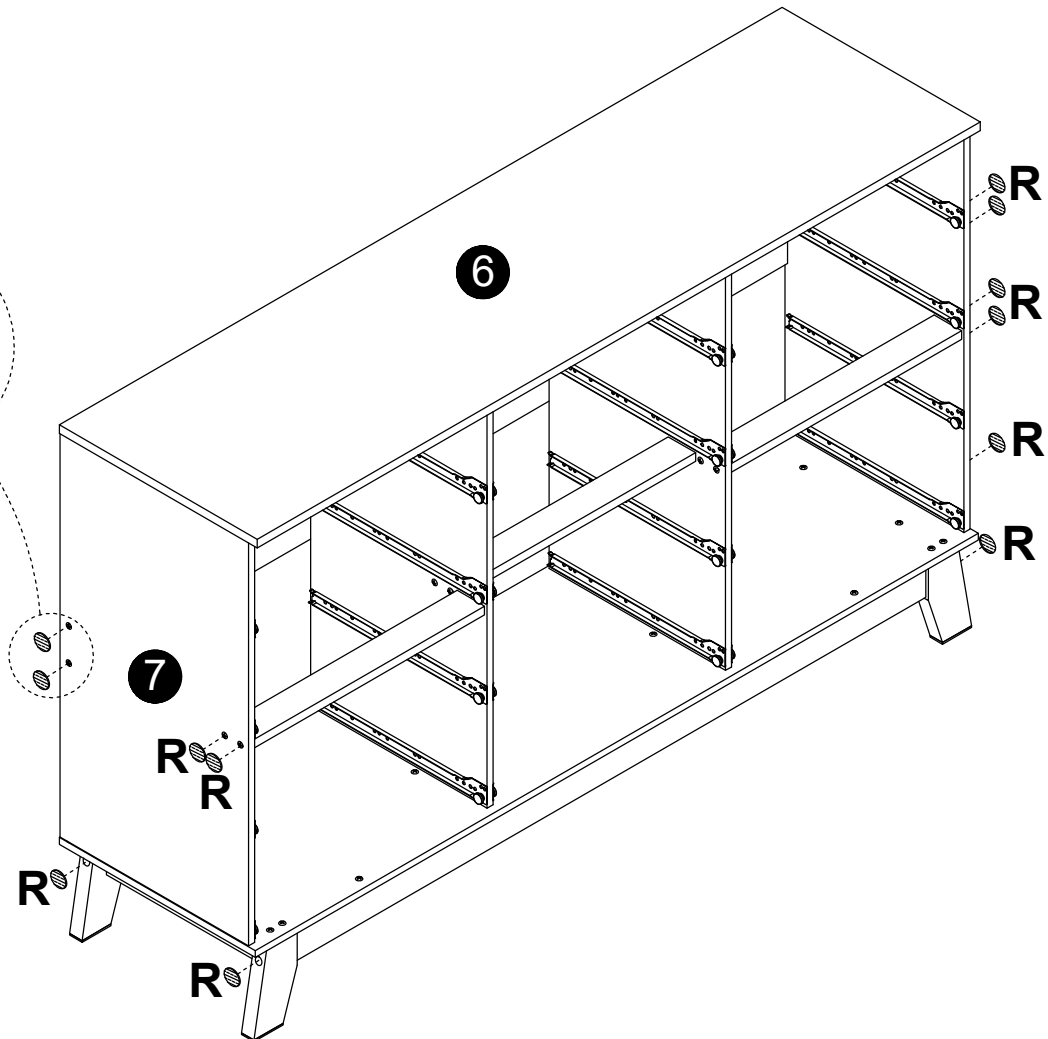
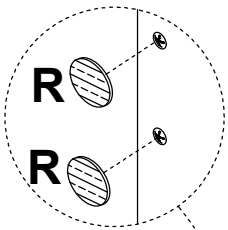
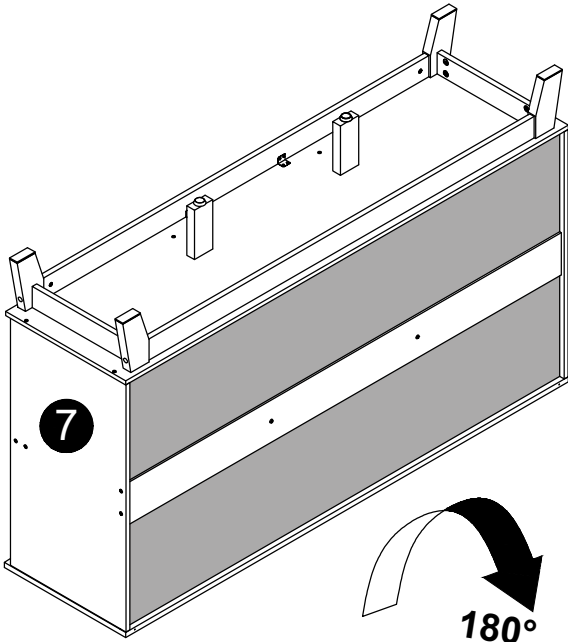
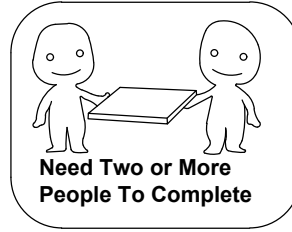
Note: At least two people are required for this step.



R x12



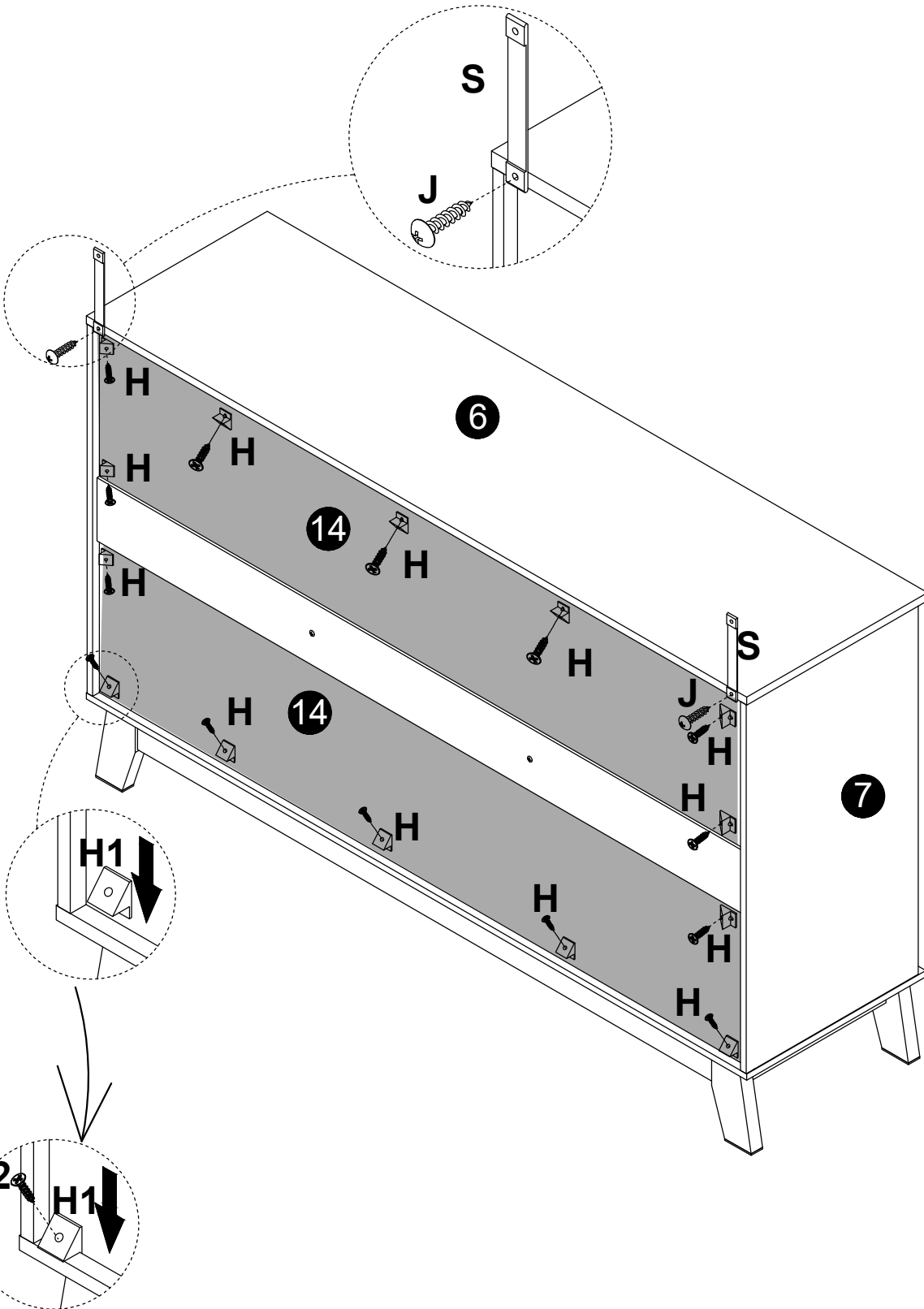
Note: At least two people are required for this step.



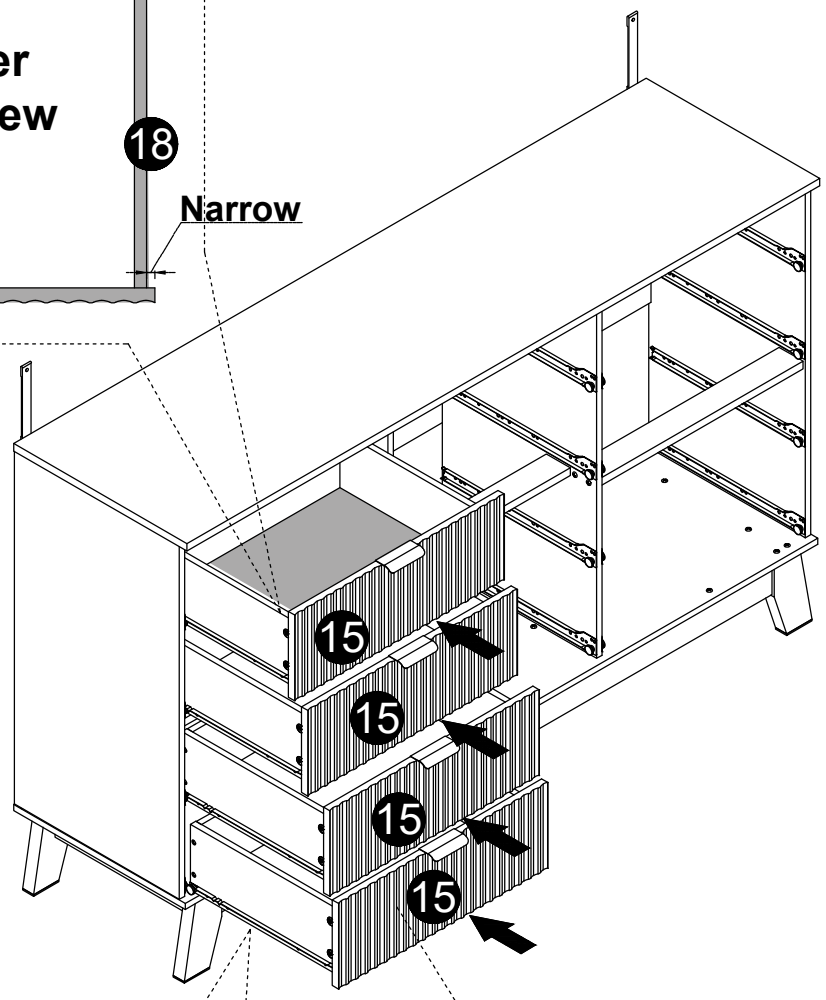
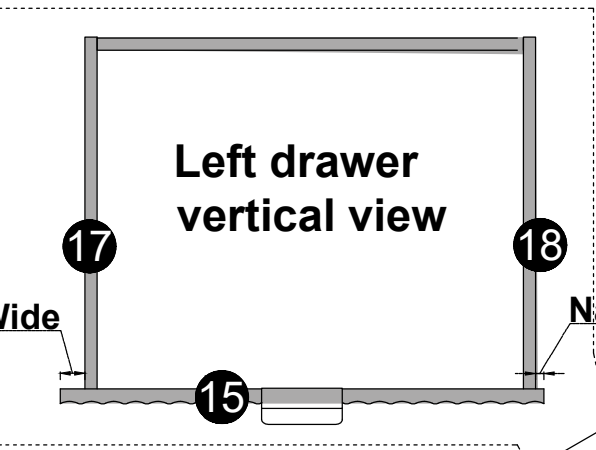
H x14

J x2

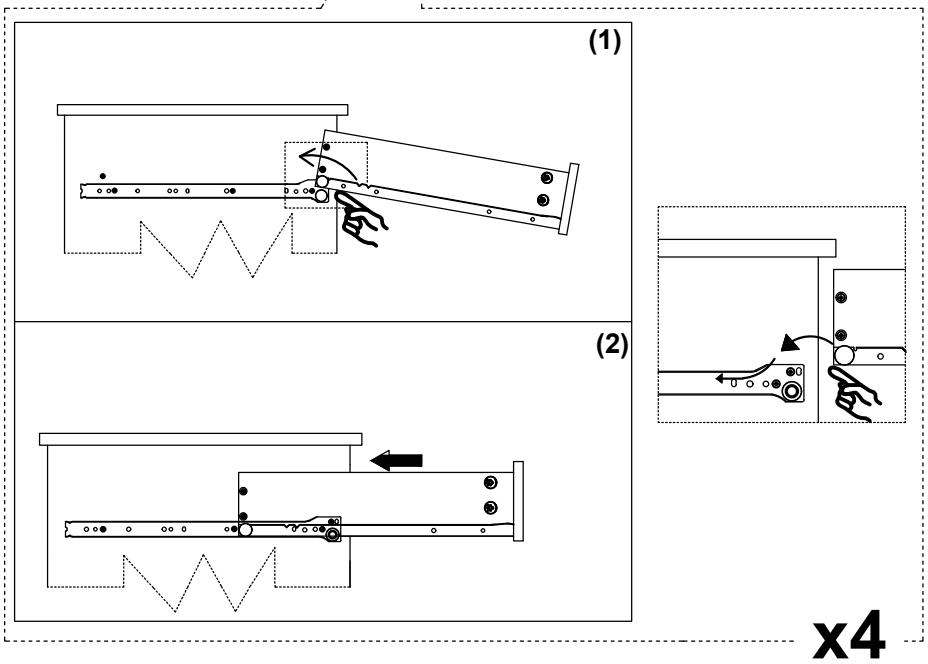
S x2



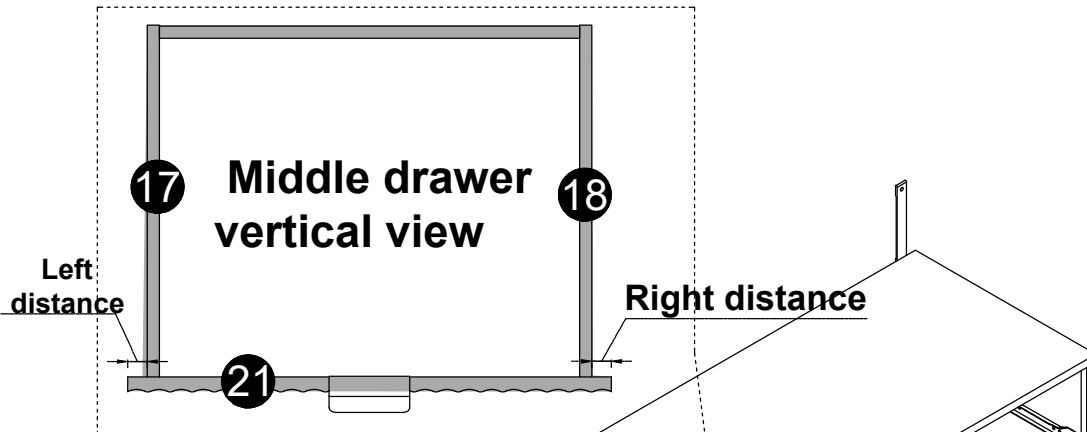
**Attention:** The drawers are divided into left drawer, middle drawer, and right drawer.  
 As shown, the left drawer is installed on the cabinet.



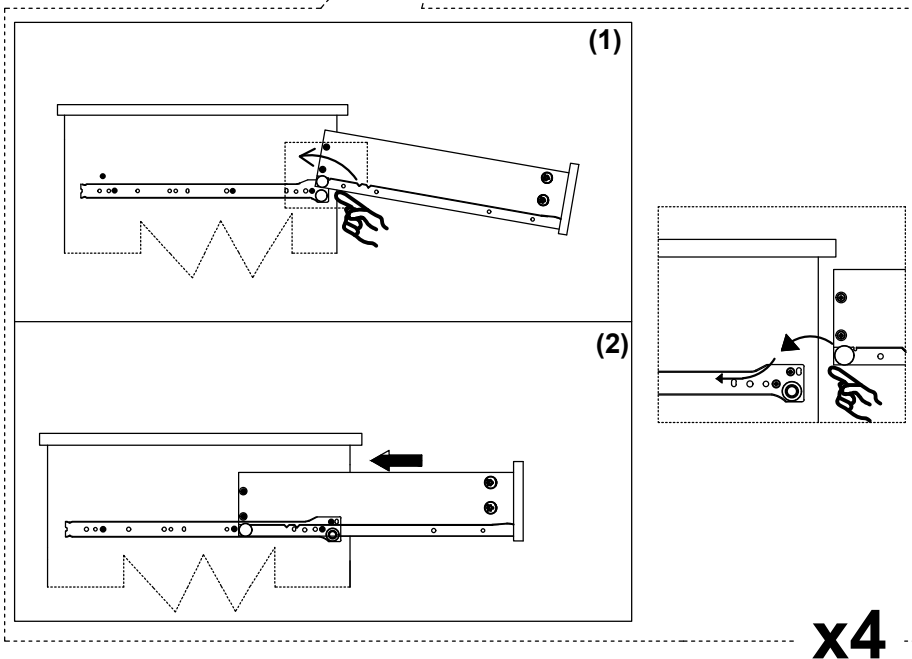
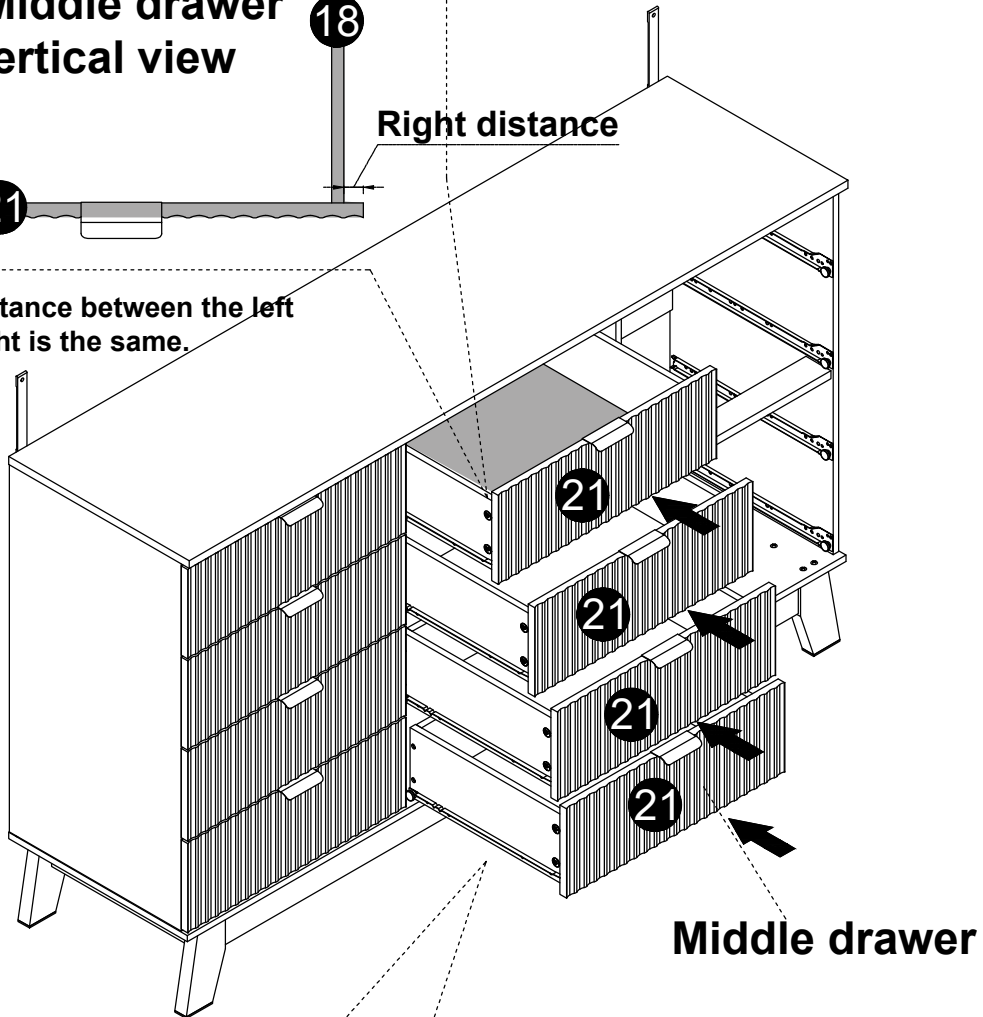
Left drawer



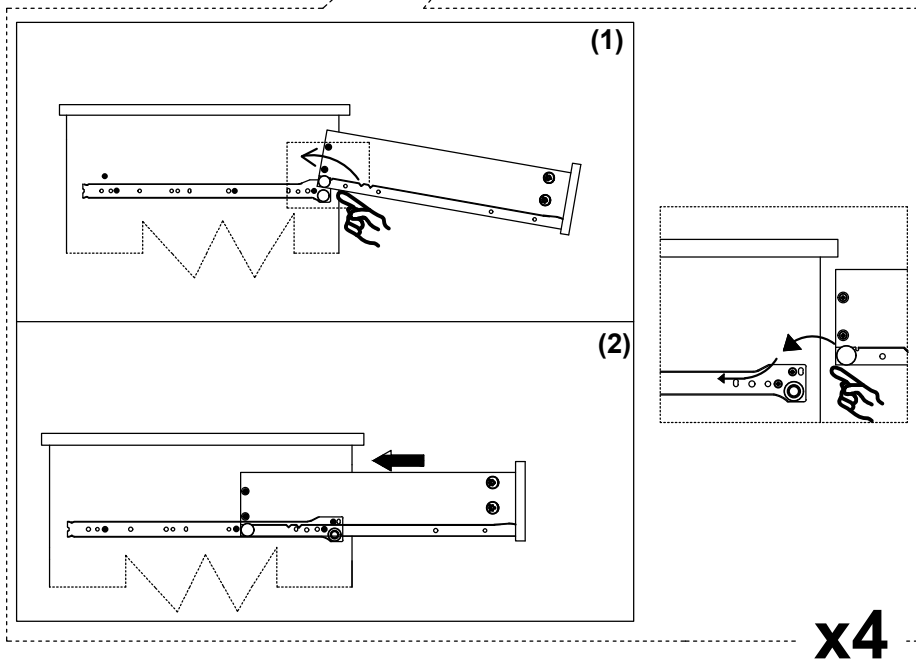
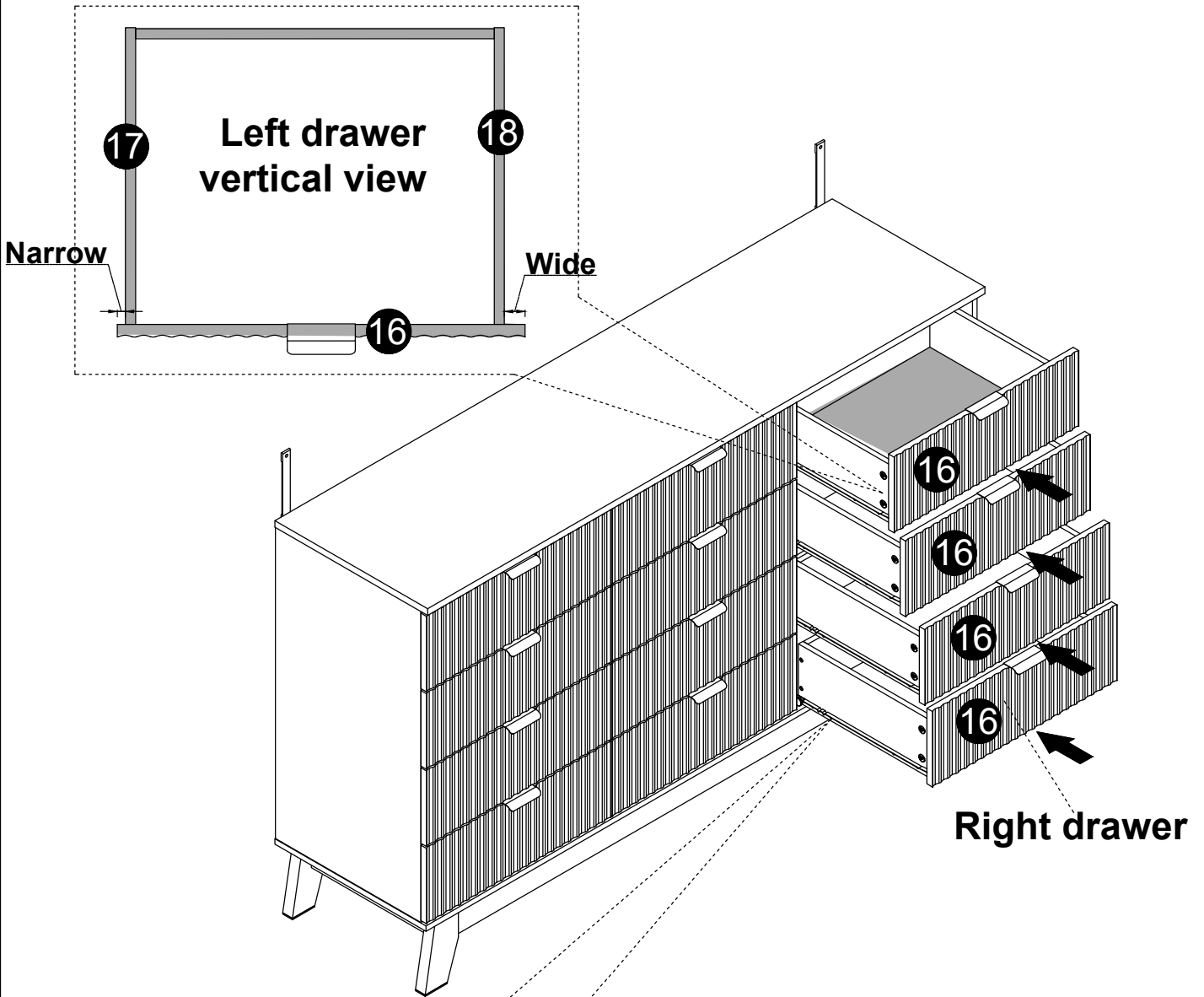
**Attention:** The drawers are divided into left drawer, middle drawer, and right drawer.  
 shown, the middle drawer is installed on the cabinet.

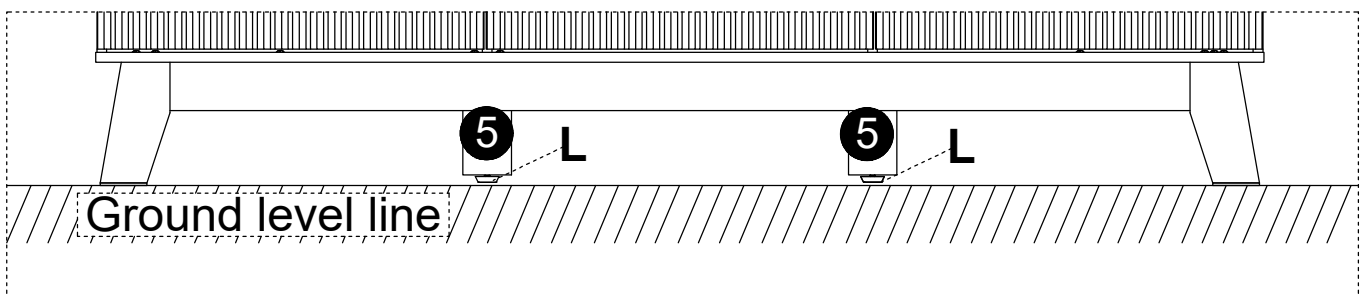
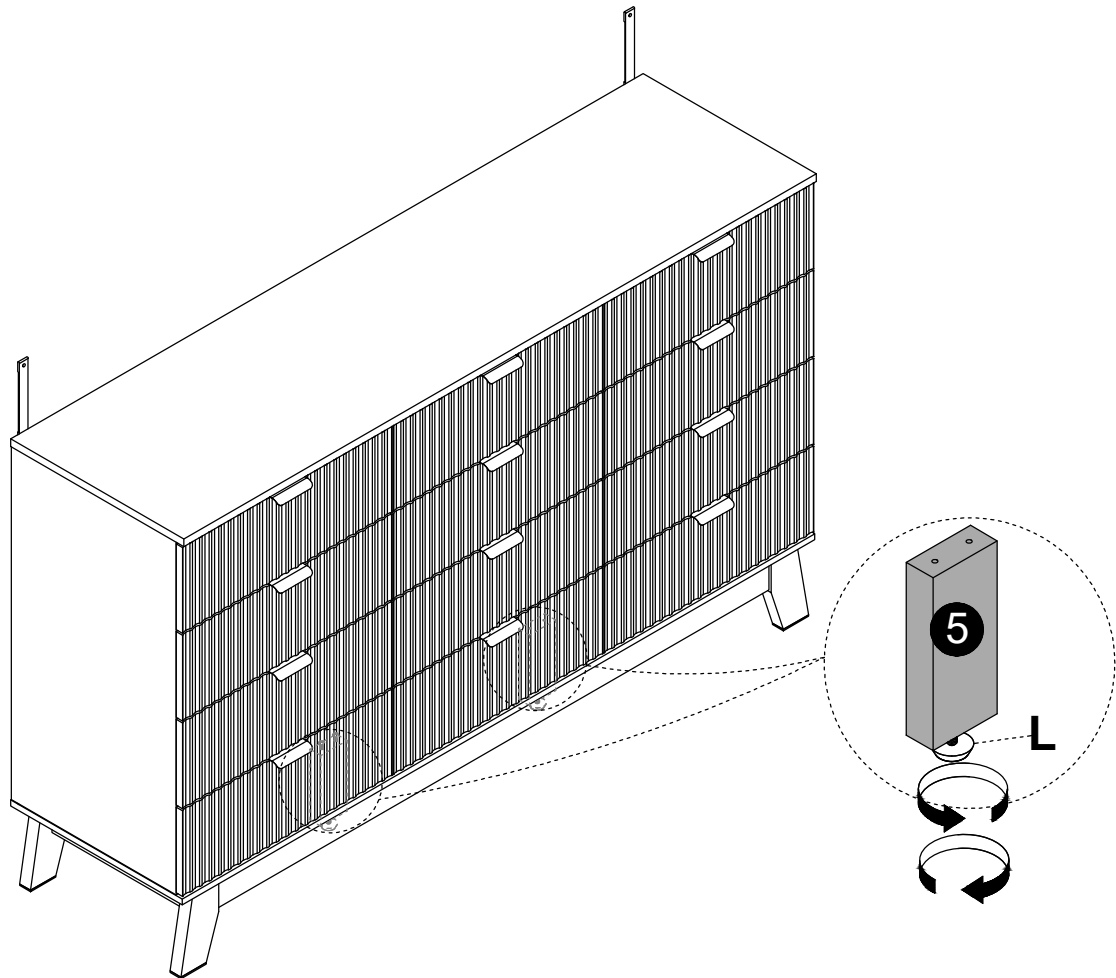


The distance between the left and right is the same.



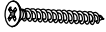
**Attention:** The drawers are divided into left drawer, middle drawer, and right drawer.  
**As shown, the right drawer is installed on the cabinet.**



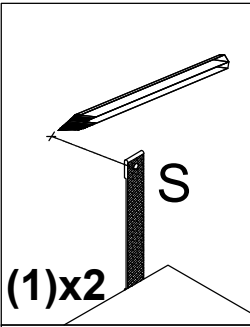


**If the drawers are not aligned or if there is a sinking in the middle of the cabinet, you can rotate the accessory "L" under board 5.**

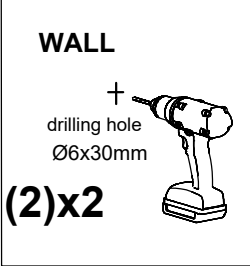
D x2



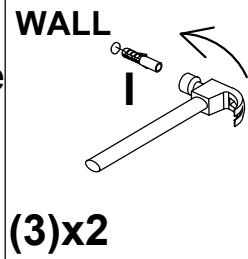
I x2



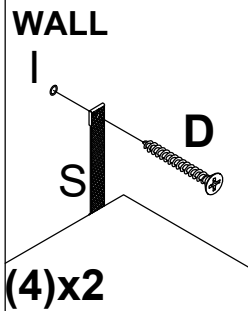
First, use a ruler to measure the approximate height of the product on the wall, and then mark it with a pen.



Then use a tape drill to make holes in the wall that are suitable for the product screws.



Then, put the expansion bolt into the hole



Finally, pass the matching screws through the "anti-rewind" and tighten them to fix them on the wall.

WALL

