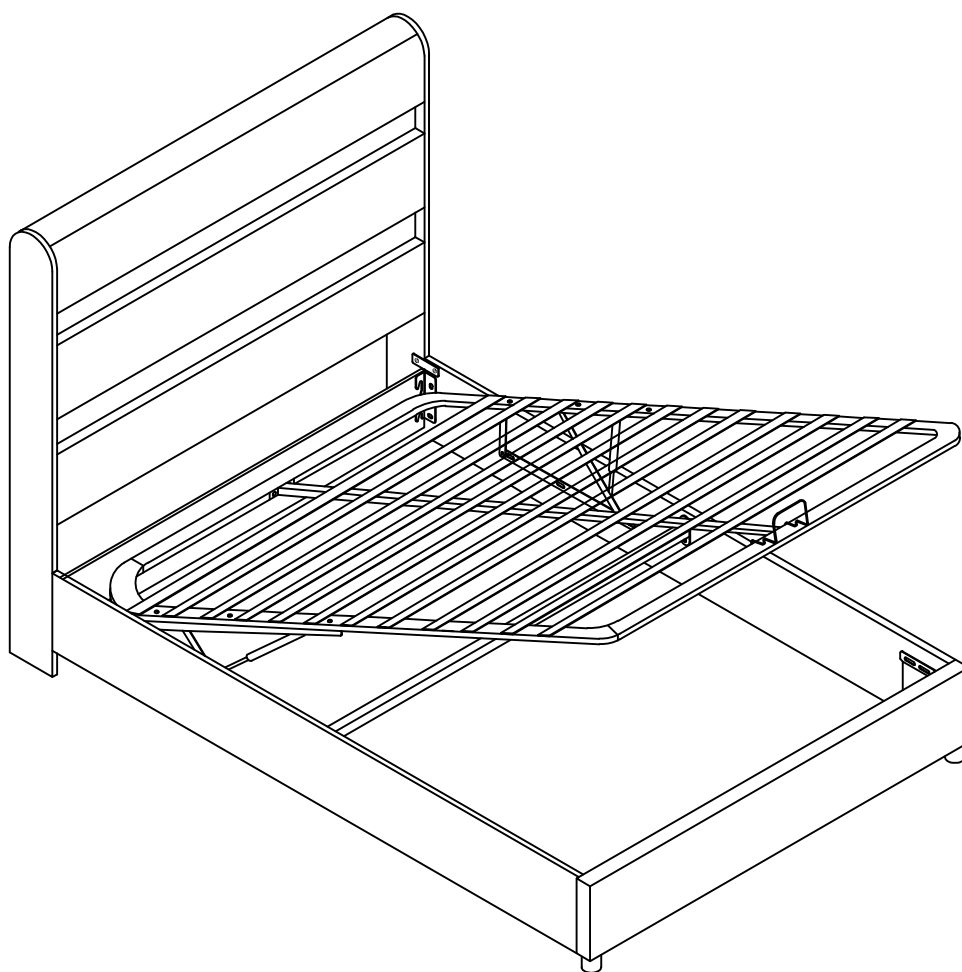
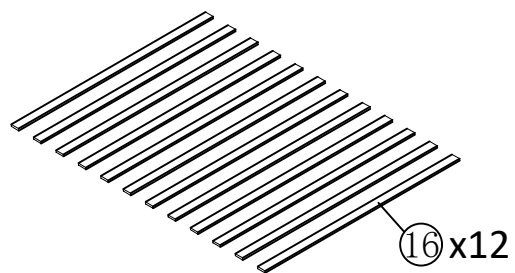
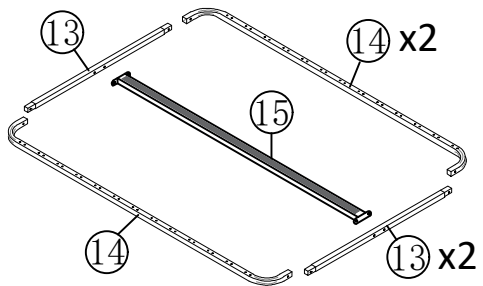
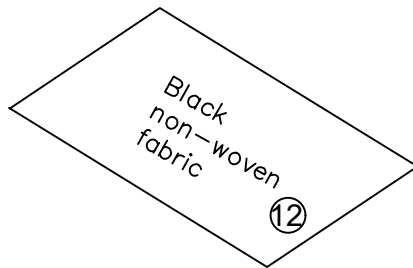
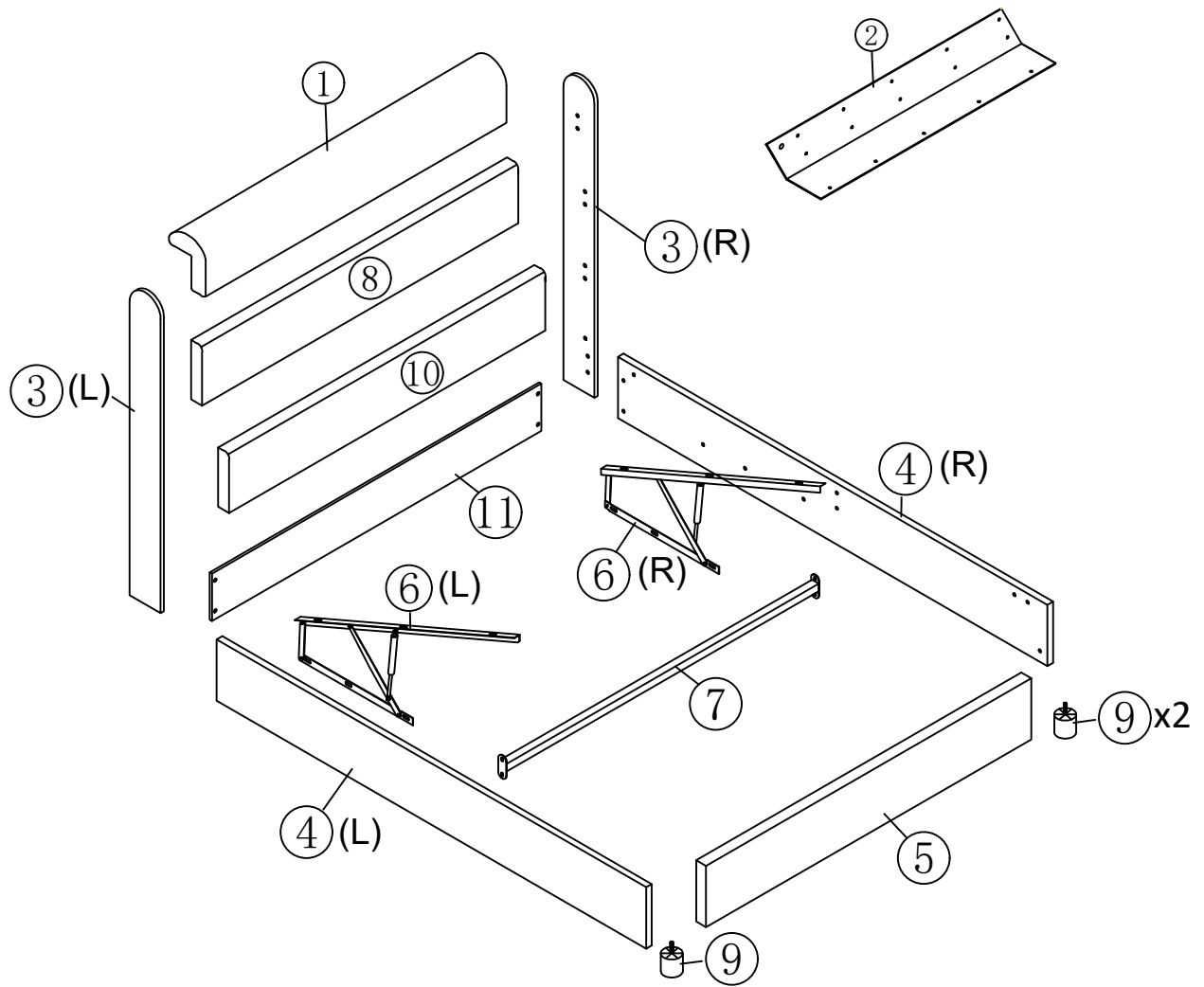


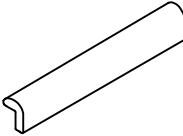
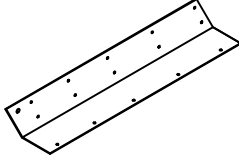


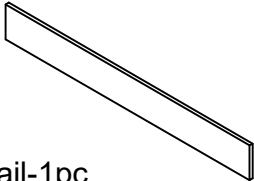
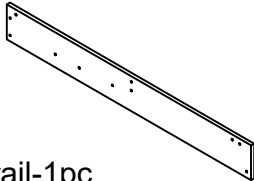
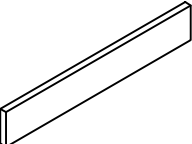

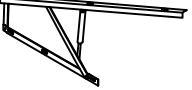

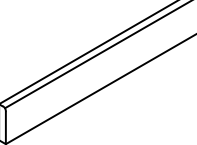

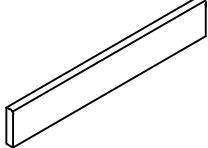
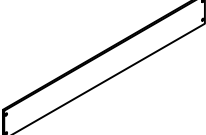
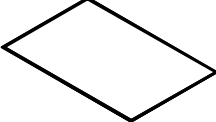
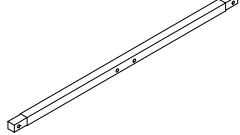
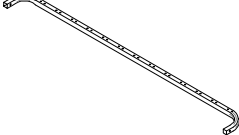
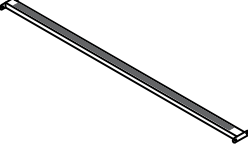
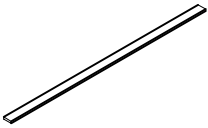
ASSEMBLY INSTRUCTION





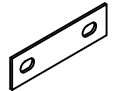




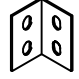




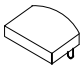


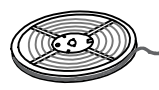



Detail View



Part List




<p>1</p>  <p>Top headboard-1pc</p>	<p>2</p>  <p>Back board-1pc</p>	<p>3L</p>  <p>Side board-1pc</p>
<p>3R</p>  <p>Side board-1pc</p>	<p>4L</p>  <p>Side rail-1pc</p>	<p>4R</p>  <p>Side rail-1pc</p>
<p>5</p>  <p>Foot board-1pc</p>	<p>6L</p>  <p>Gas lift -1pc</p>	<p>6R</p>  <p>Gas lift -1pc</p>
<p>7</p>  <p>Cross bar-1pc</p>	<p>8</p>  <p>Middle headboard-1pc</p>	<p>9</p>  <p>Bed legs-2pcs</p>
<p>10</p>  <p>Below board-1pc</p>	<p>11</p>  <p>Cross board-1pc</p>	<p>12</p>  <p>Non woven fabric -1pc</p>
<p>13</p>  <p>Metal frame cross bar-2pcs</p>	<p>14</p>  <p>Metal frame side bar-2pcs</p>	<p>15</p>  <p>Metal frame middle bar-1pc</p>
<p>16</p>  <p>Slat-12pcs</p>		

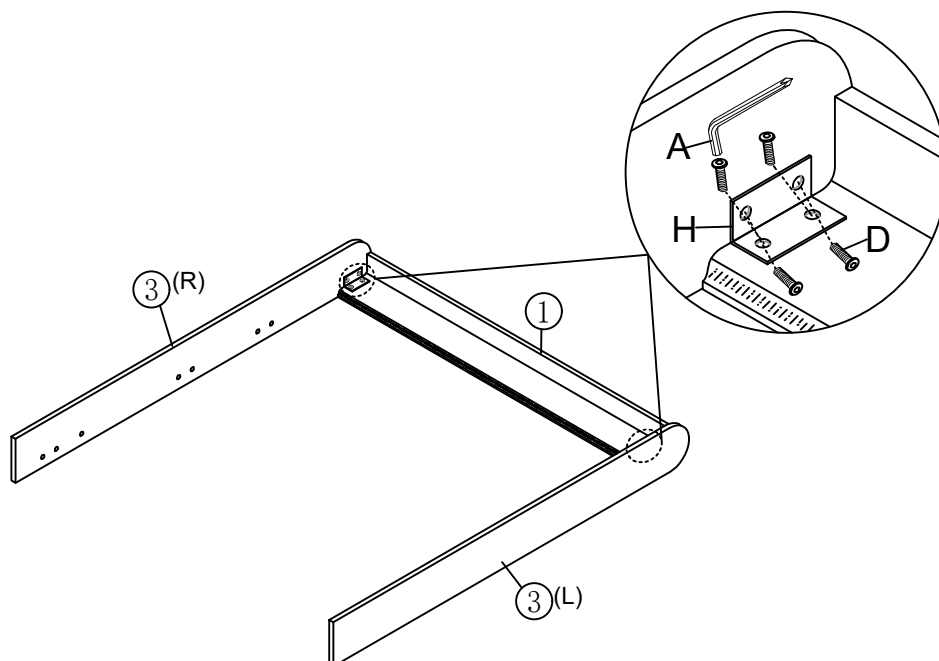
Hardware List

A  20*70mm	B  Ø8*45mm	C 
Allen Key(1pc) Bolts(14pcs) Two hole iron (2pcs)		
D  Ø8*18mm	E  Ø8*12mm	F 
Bolts(52pcs) Bolts(16pcs) Little "7" Connector(2pcs)		
G 	H  77*33**33*3mm	I 
Metal Corner (2pcs) "7" Connector(9pcs) Nuts(4pcs)		
J 	K  M8	L 
Spanner (1pc) Nuts(14pcs) Hinge(2pcs)		
M 	N 	O  Ø4*20mm
End slats cap (24pcs) Stopper (1pc) Nails(15pcs)		
P 	Q 	R 
LED (2pcs) Power adapter(1pc) Color controller(1pc)		
S  Remote control(1pc)		





Remark: We recommend you assemble your bed in the flat ground.

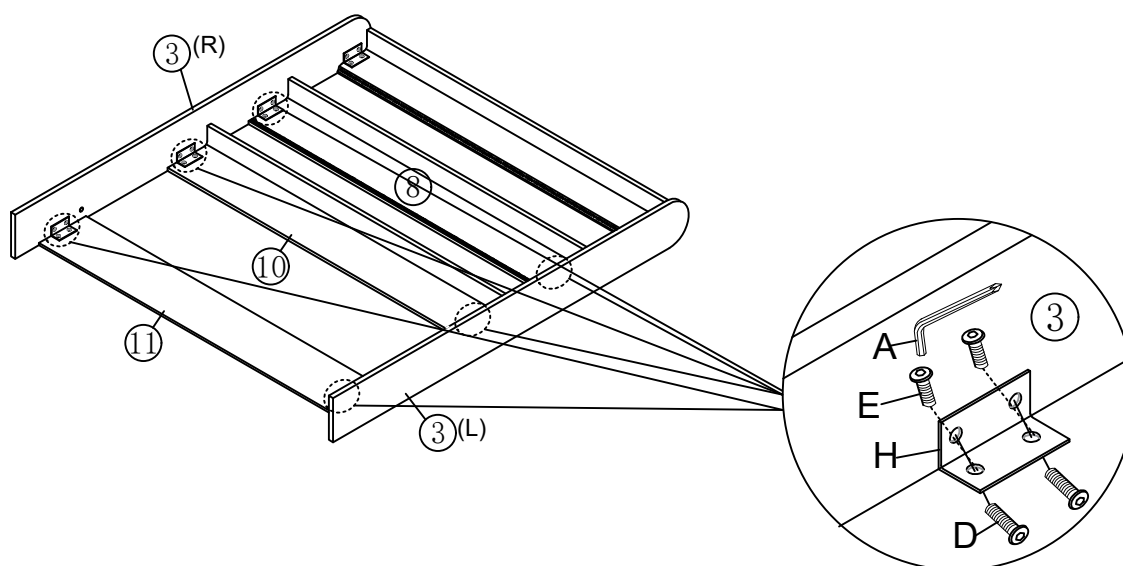
Step 1

A	D	H
	 M8X18mm	
	8PCS	2PCS

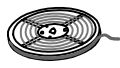


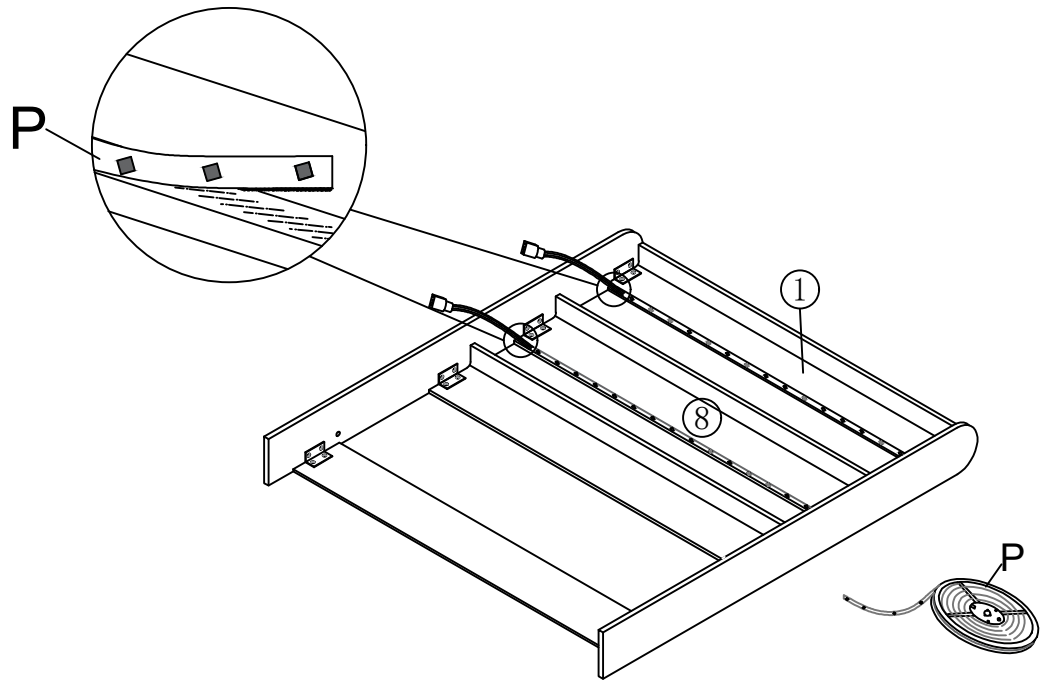
Step 2

A	D	E	H
	 M8X18mm	 M8X12mm	
	12PCS	12PCS	6PCS





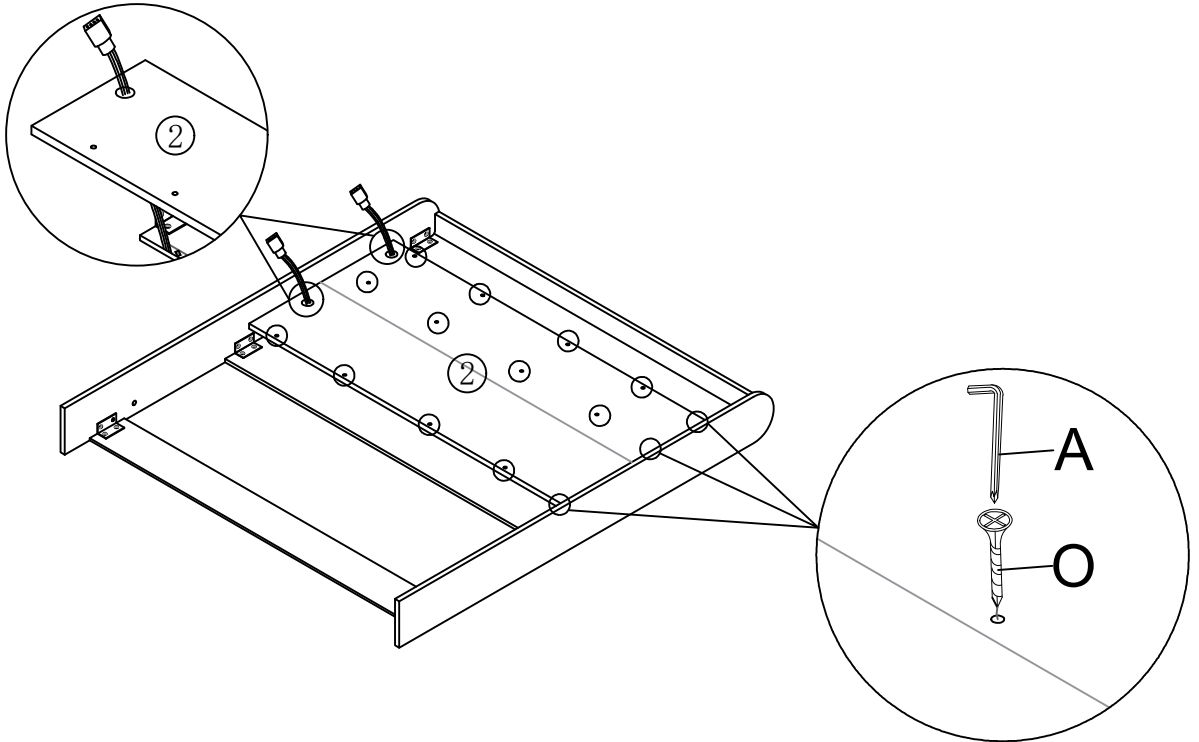
Step 3

P	
2PCS	







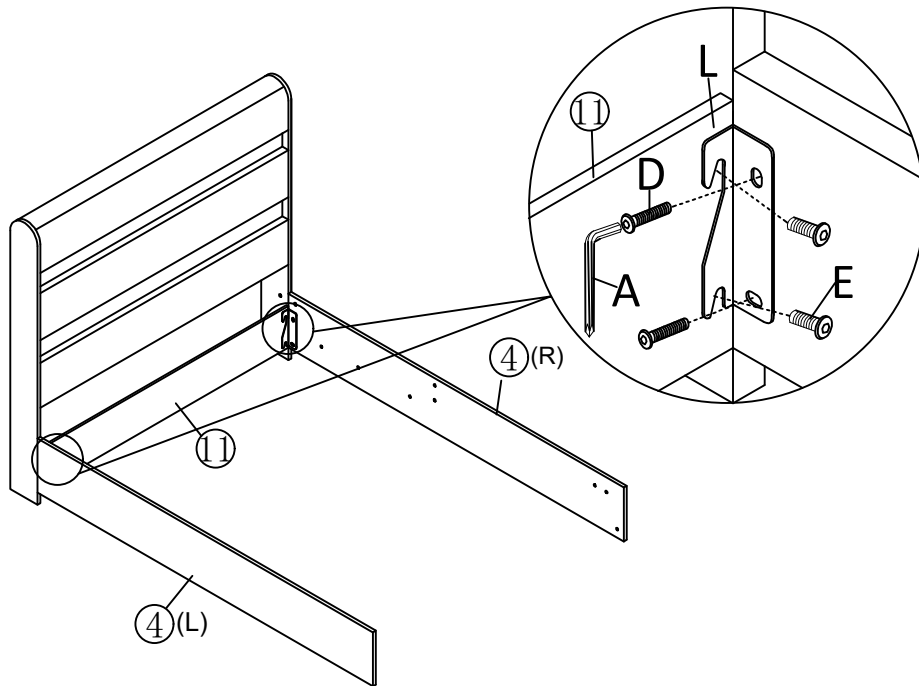
Step 4

A	O
	 Ø4*20mm
15PCS	


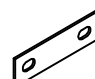



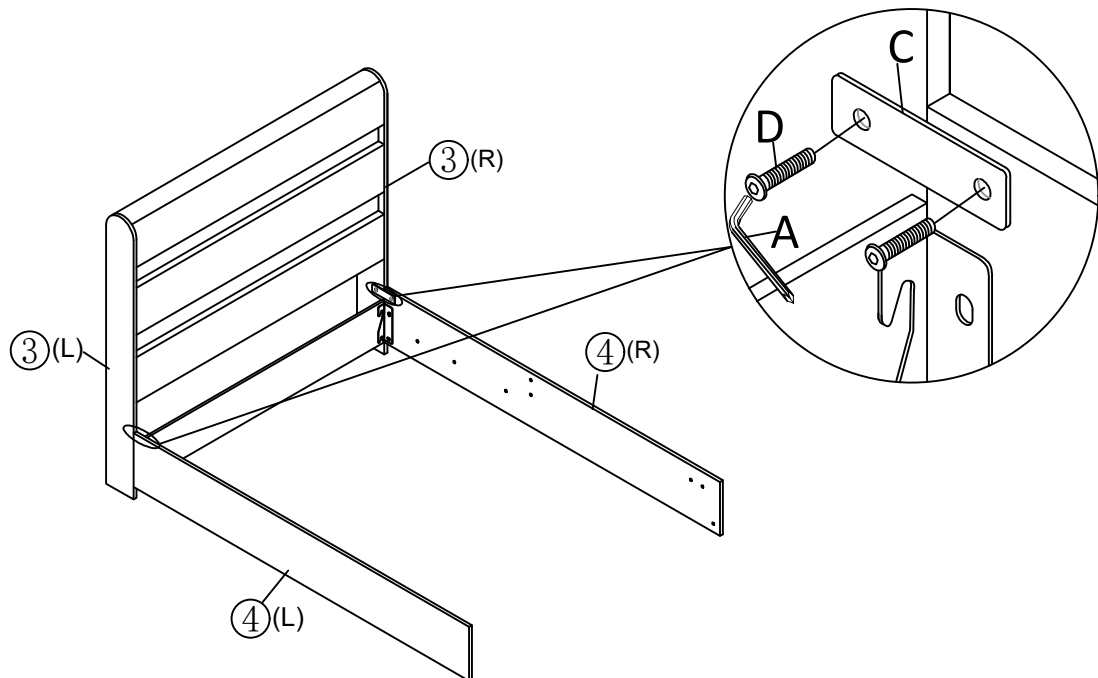
Step 5

A	D	E	L
	 M8X18mm	 M8X12mm	
4PCS	4PCS	4PCS	2PCS

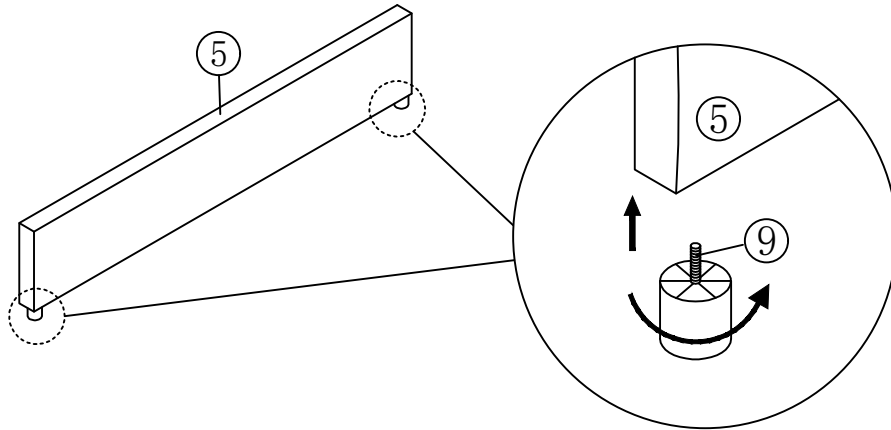


Step 6



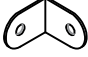
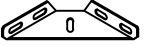
A	C	D
		 M8X18mm
2PCS	4PCS	4PCS

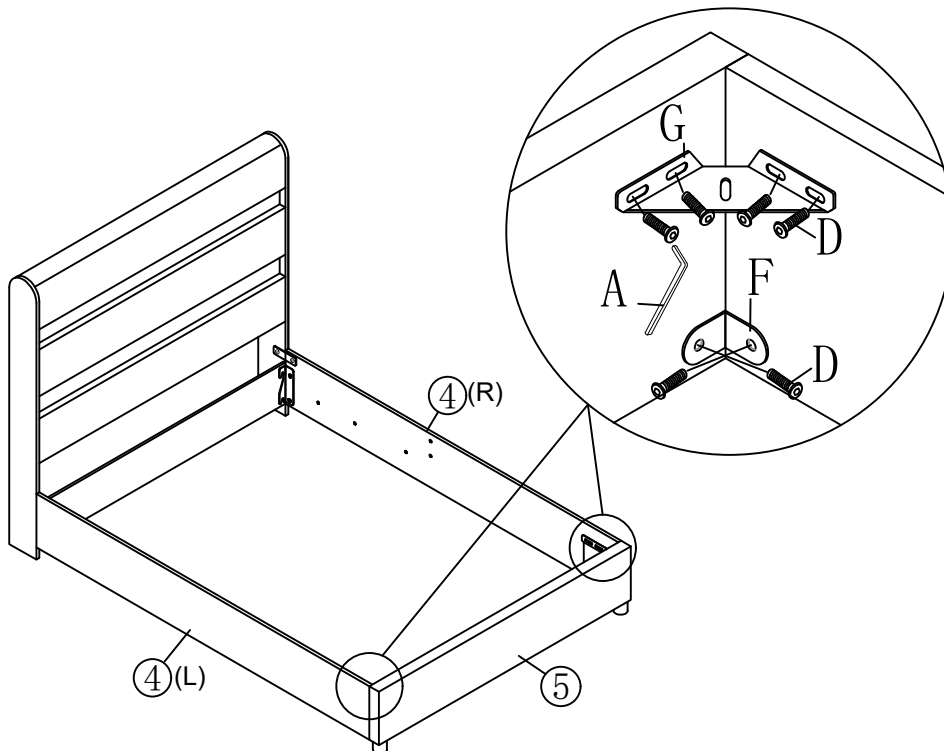


Step 7






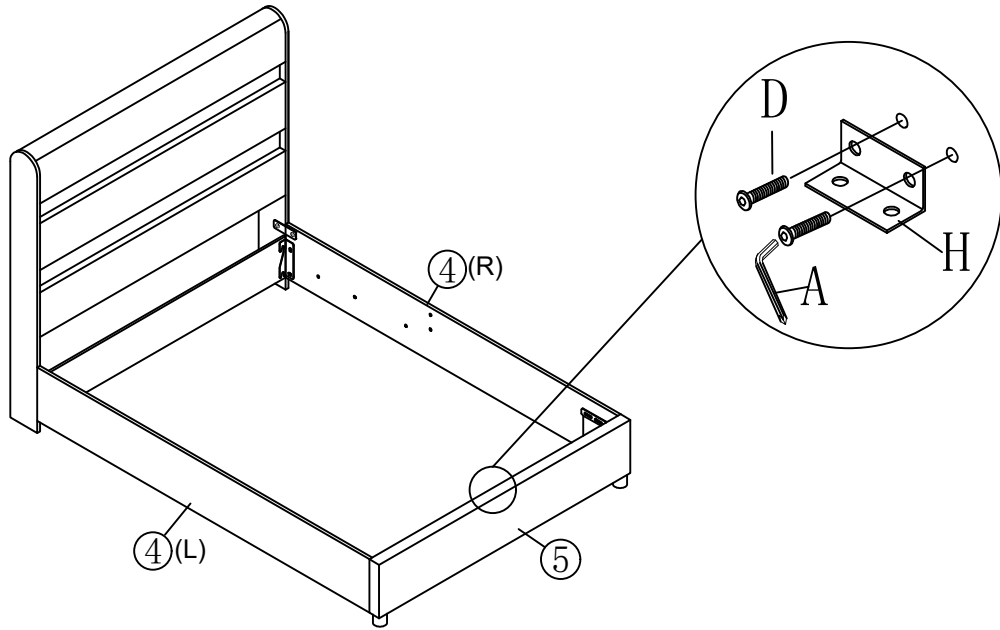
Step 8

<p>A</p> 	<p>D</p>  <p>M8X18mm</p> <p>12PCS</p>	<p>F</p>  <p>2PCS</p>	<p>G</p>  <p>2PCS</p>
--	---	--	--


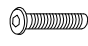



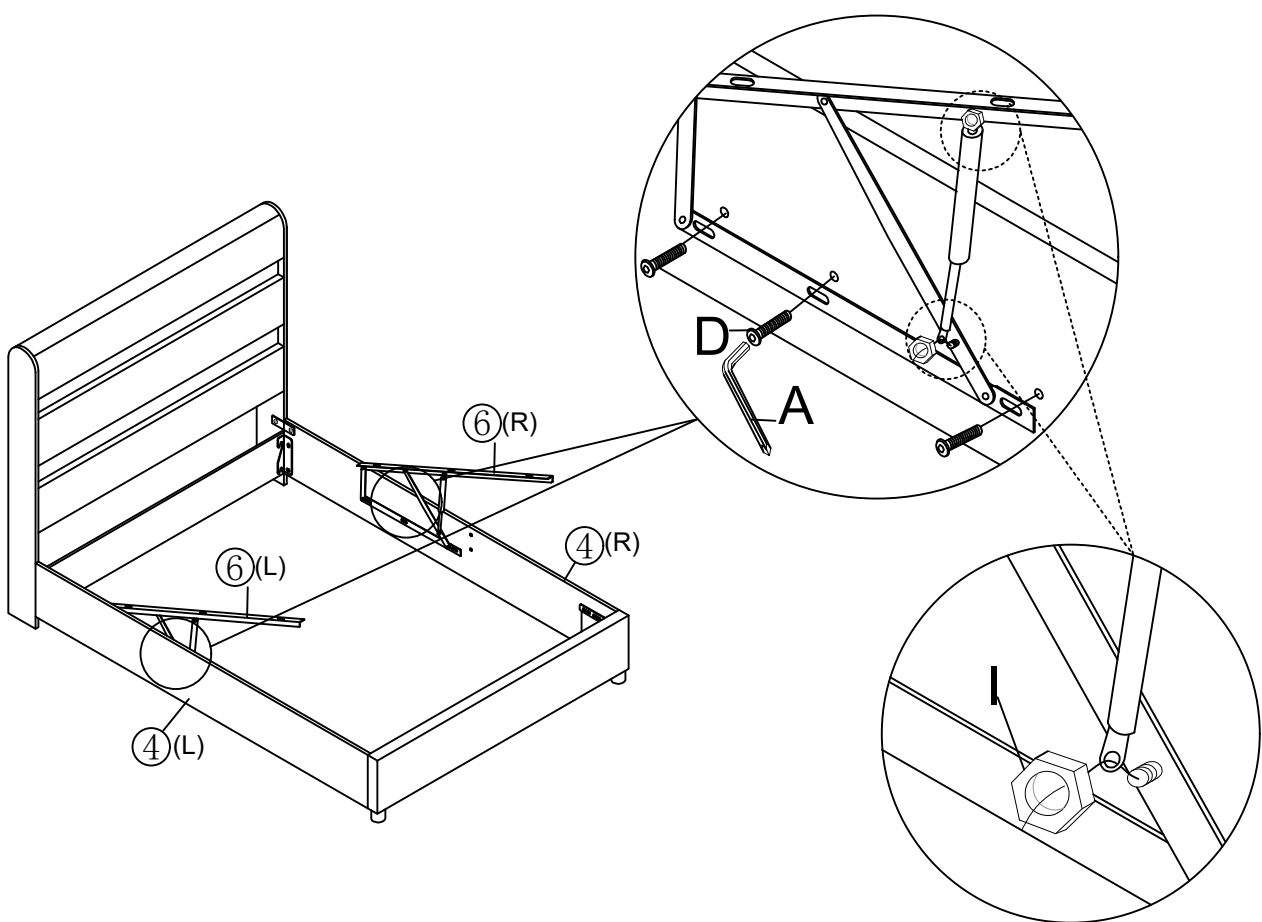
Step 9

<p>A</p> 	<p>D</p>  <p>M8X18mm</p> <p>2PCS</p>	<p>H</p>  <p>1PC</p>
---	---	---





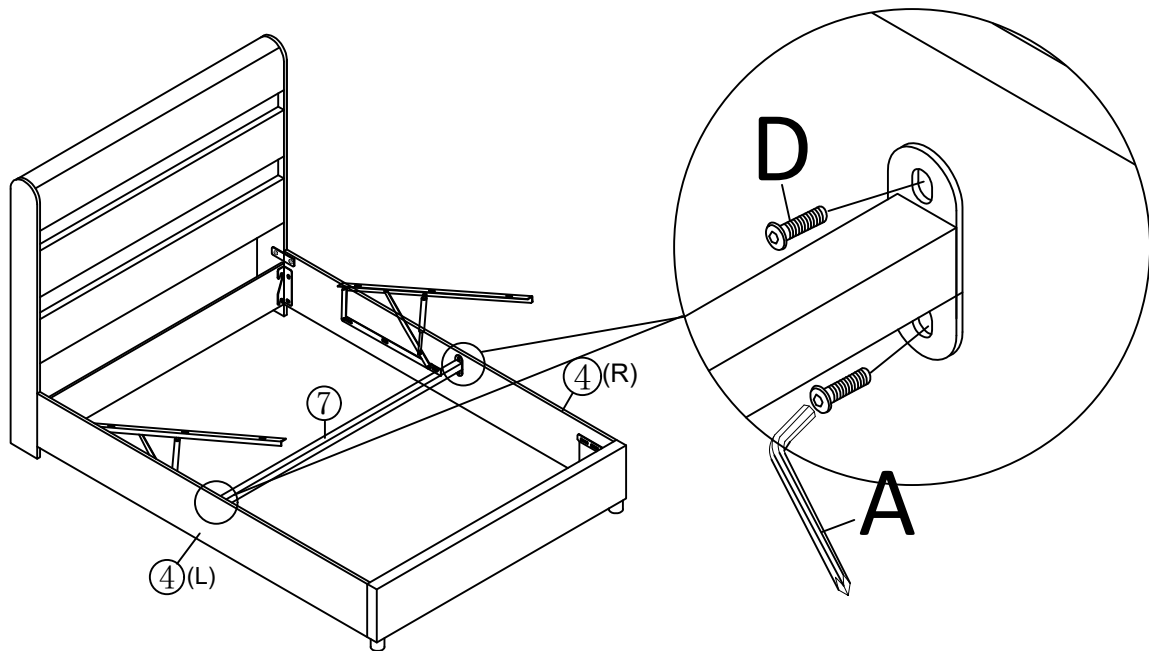
Step 10

<p>A</p> 	<p>D</p>  <p>M8X18mm</p> <p>6PCS</p>	<p>I</p>  <p>4PCS</p>
---	---	--

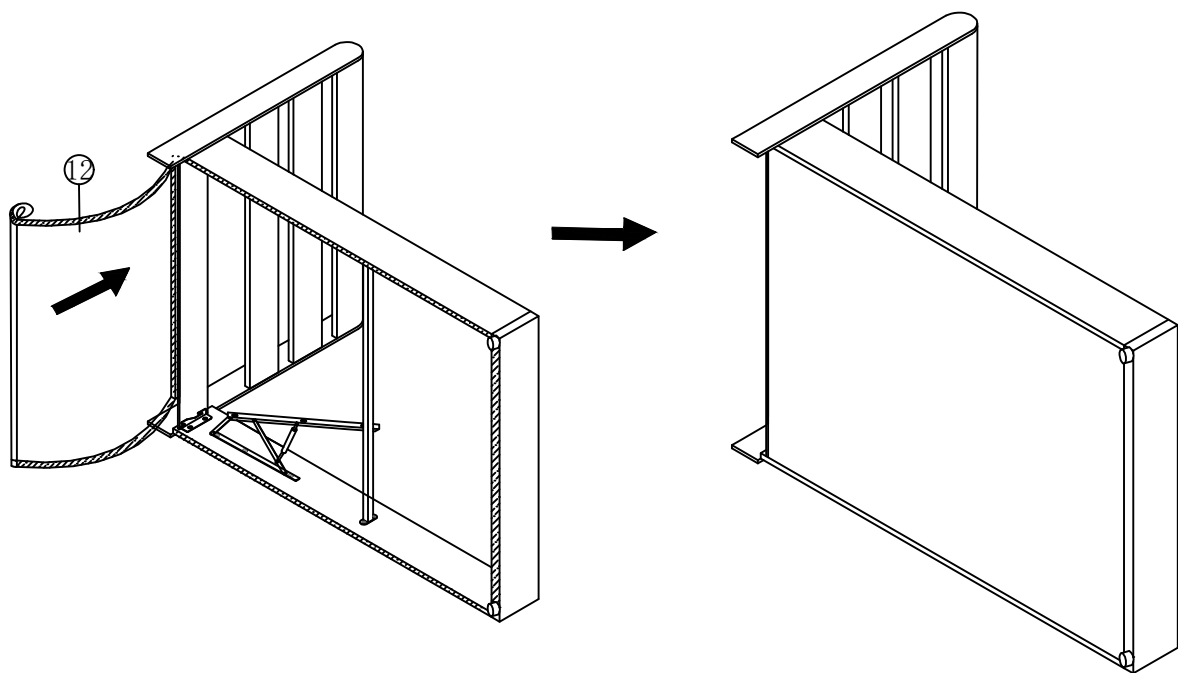


Step 11


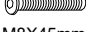


A 	D  M8X18mm 4PCS
--	---

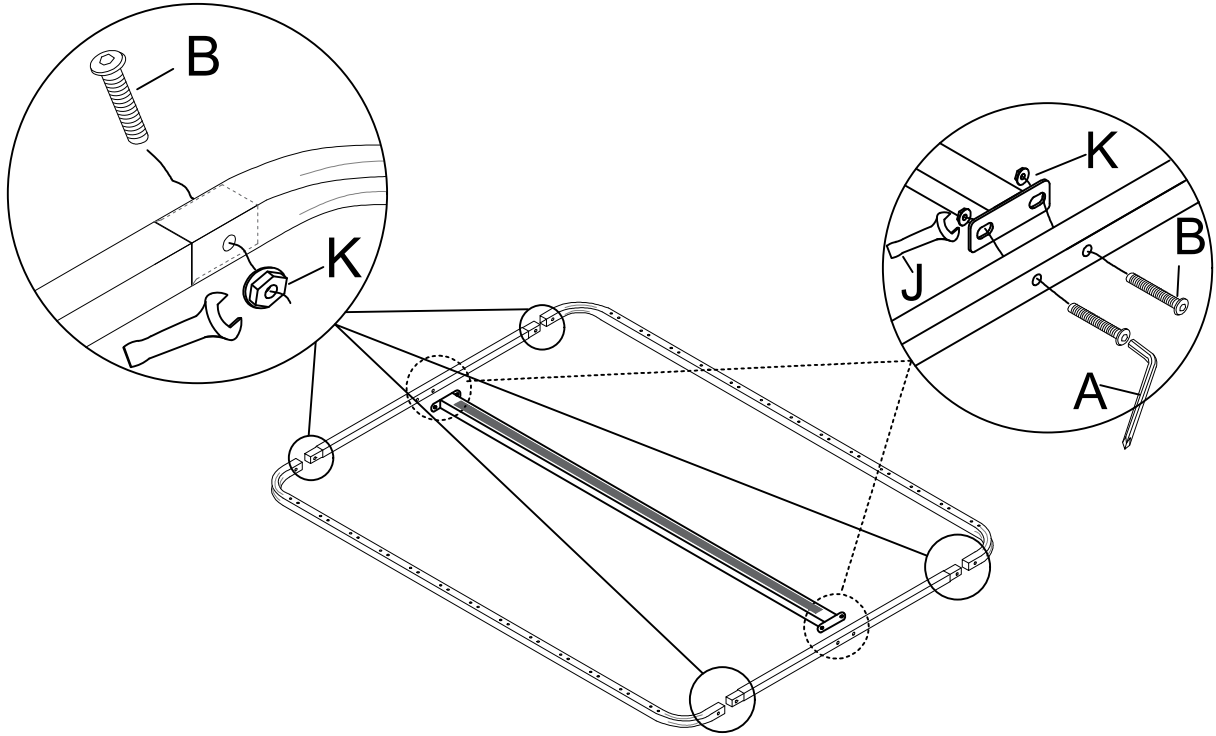


Step 12




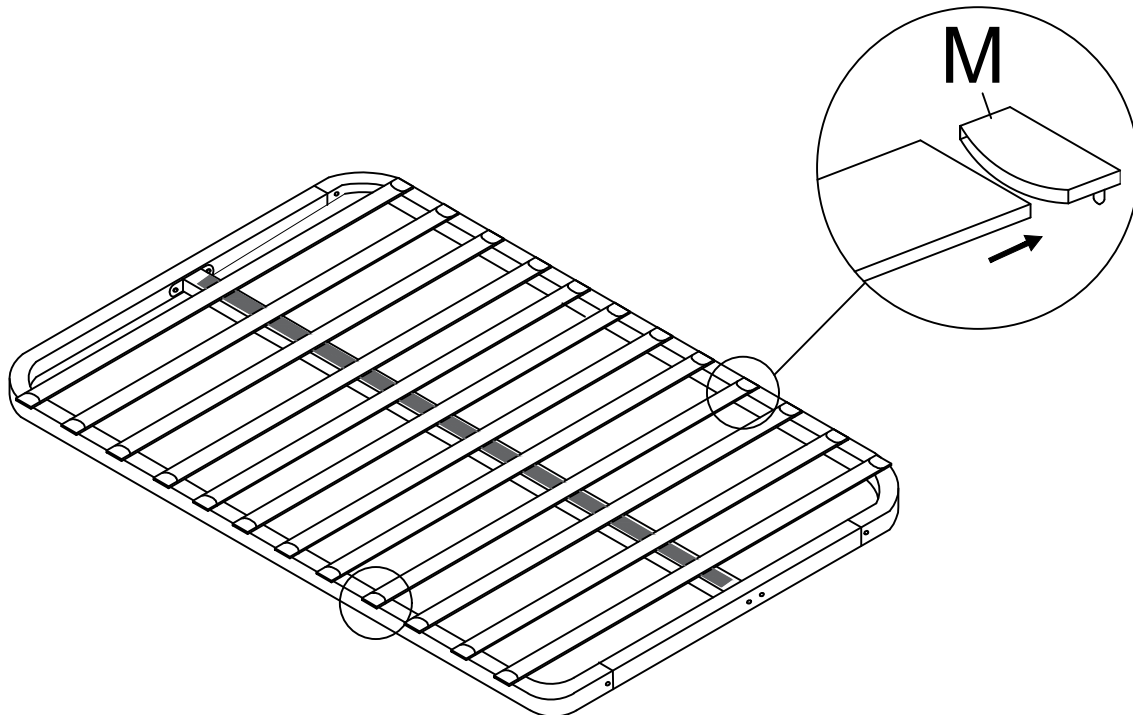
Step 13

A	B	K	J
	 M8X45mm		
	8PCS	8PCS	1PC


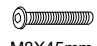




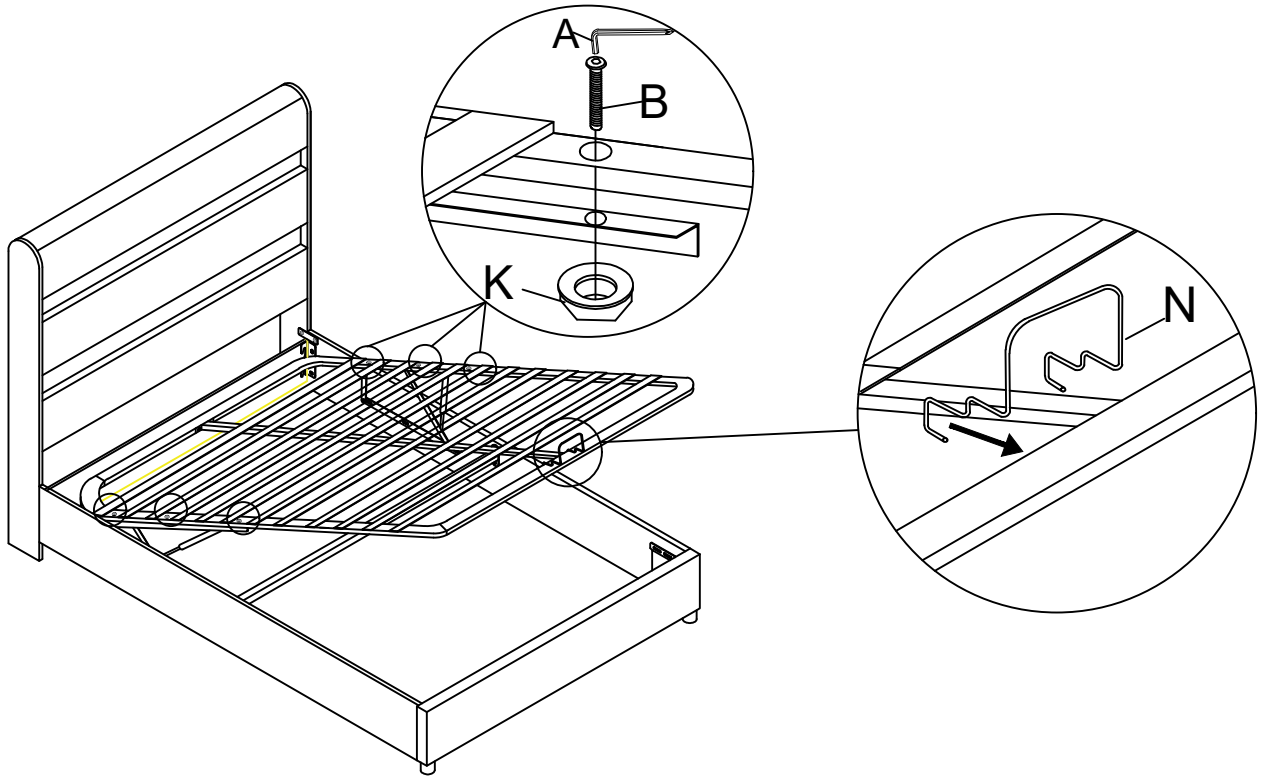
Step 14

M

24PCS





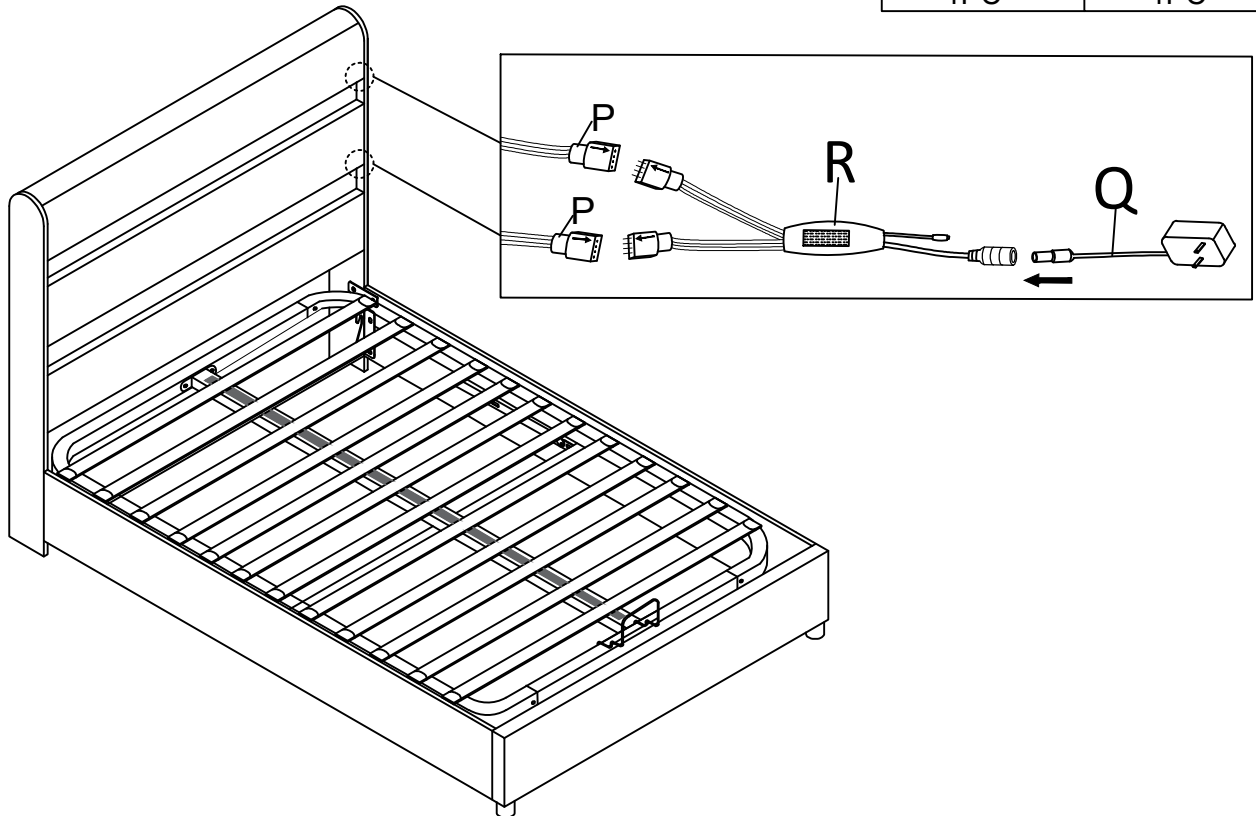
Step 15

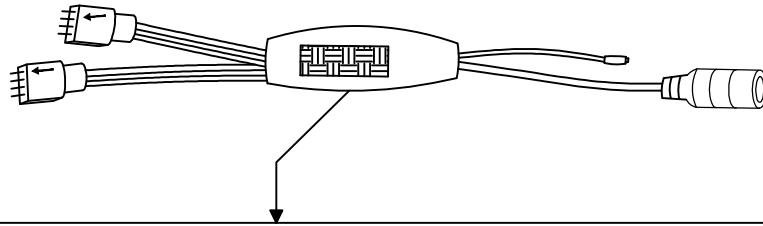
A	B	K	N
	 M8X45mm		
	6PCS	6PCS	1PC



Step 16

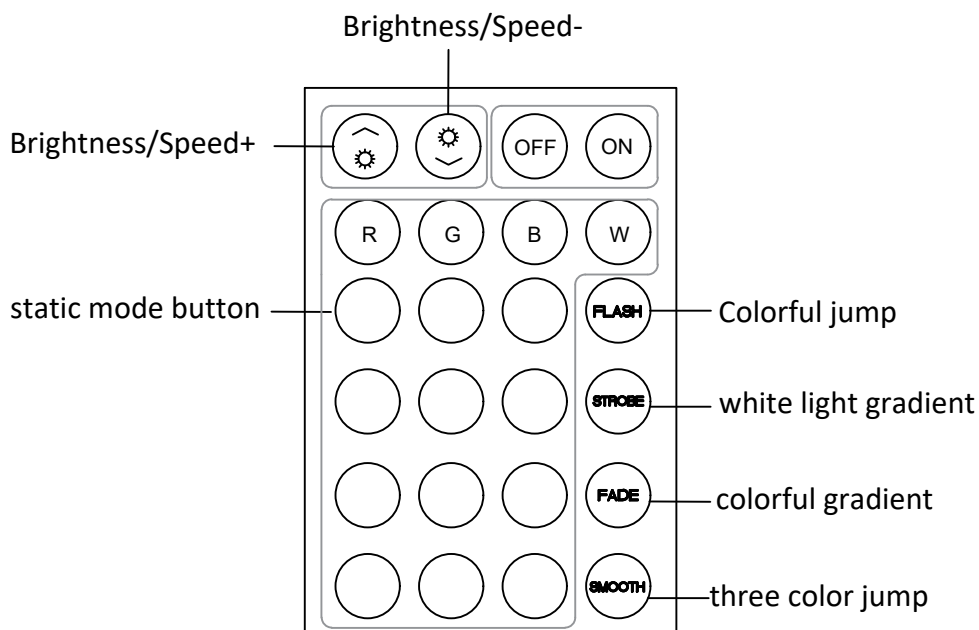
Q	R
	
1PC	1PC





NOTICE:

You can scan the QR code here and download an app that can control the color of the light strip like a remote control. When your phone plays music through the app, the color of the light strip will also change according to the strength of the music.



NOTICE:

When you use the remote control board to control the color of the light, Please remove the clear plastic card first, then please be sure to point the remote control at the color controller .