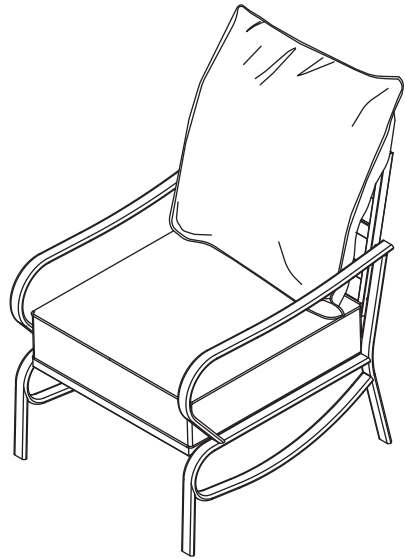
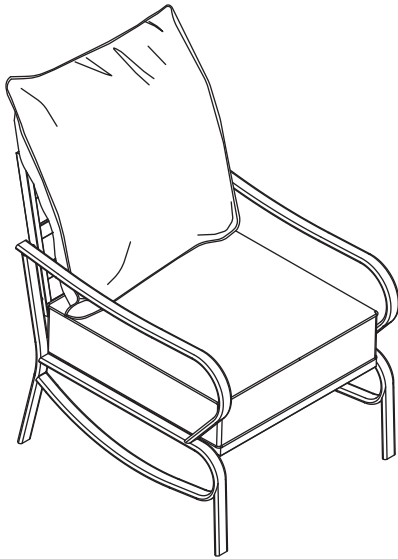


# METAL ARMREST SOFA CHAIR



# NOTICE


---

**Please keep these instructions for future reference.**

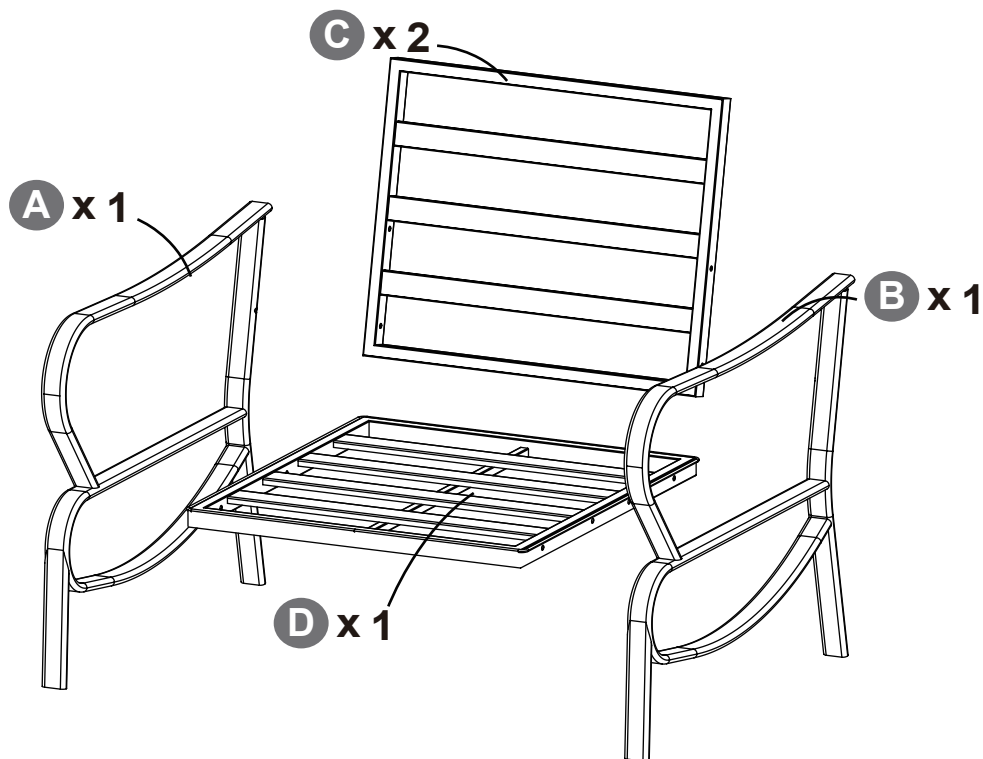
**Dear Customer**



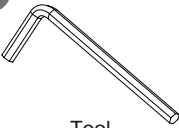
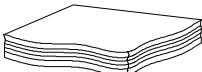
- Thank you for your purchase. When you receive the product, please make sure that all the parts are intact. Then follow the entire installation instructions to install!
- Please install under viewing the instruction, if you have some problem below, contact our customer service first.
  - A . The outer box is damaged
  - B . The product is damaged / bent / cracked while you open the box
  - C . The parts / accessories / assembly tools are missing
  - D . The instructions are not clear and can not be referred
  - E . The product has functional problems
  - F . Other aspects that you are not satisfied with

Please feel free to contact us for help. Our after-sales team service will reply within 24 hours and will do our best to resolve the problem for you.

 **When installing furniture, please do not tighten the screws all the way in one step (up to 60% is sufficient). Align all the holes first and gradually tighten them.**

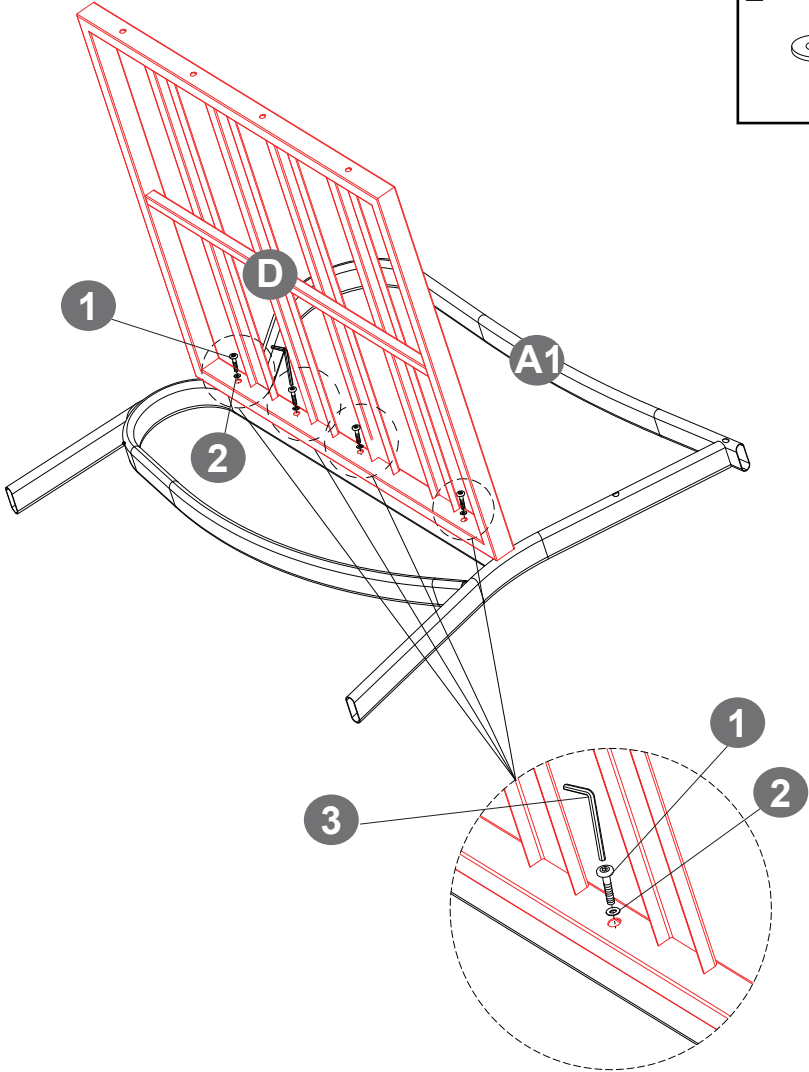
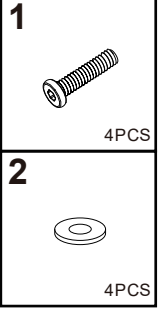
# PART LIST



<p><b>1</b></p>  <p>M6*35MM</p> <p>x12</p>	<p><b>2</b></p>  <p>M6</p> <p>x12</p>	<p><b>3</b></p>  <p>Tool</p> <p>x1</p>	<p><b>11</b></p>  <p>Waterproof Cover</p> <p>x1</p>
---	--	---	---

# STEP



1

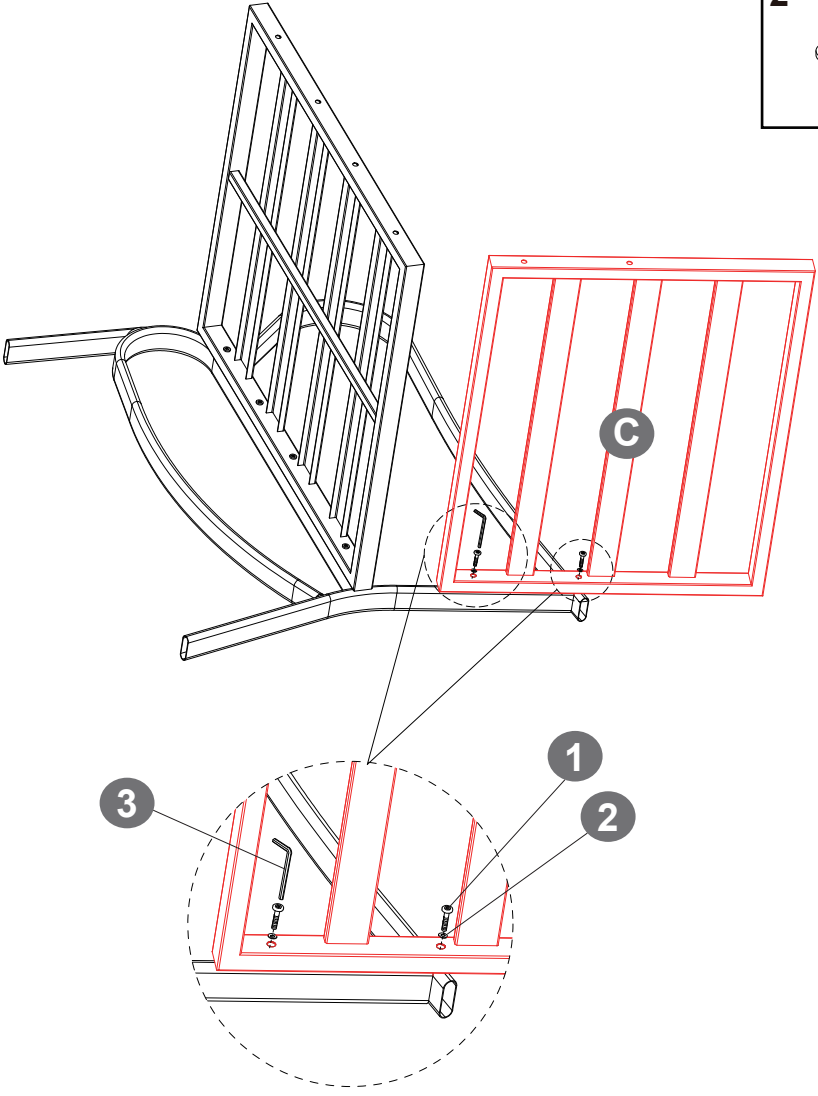


3

# STEP



2

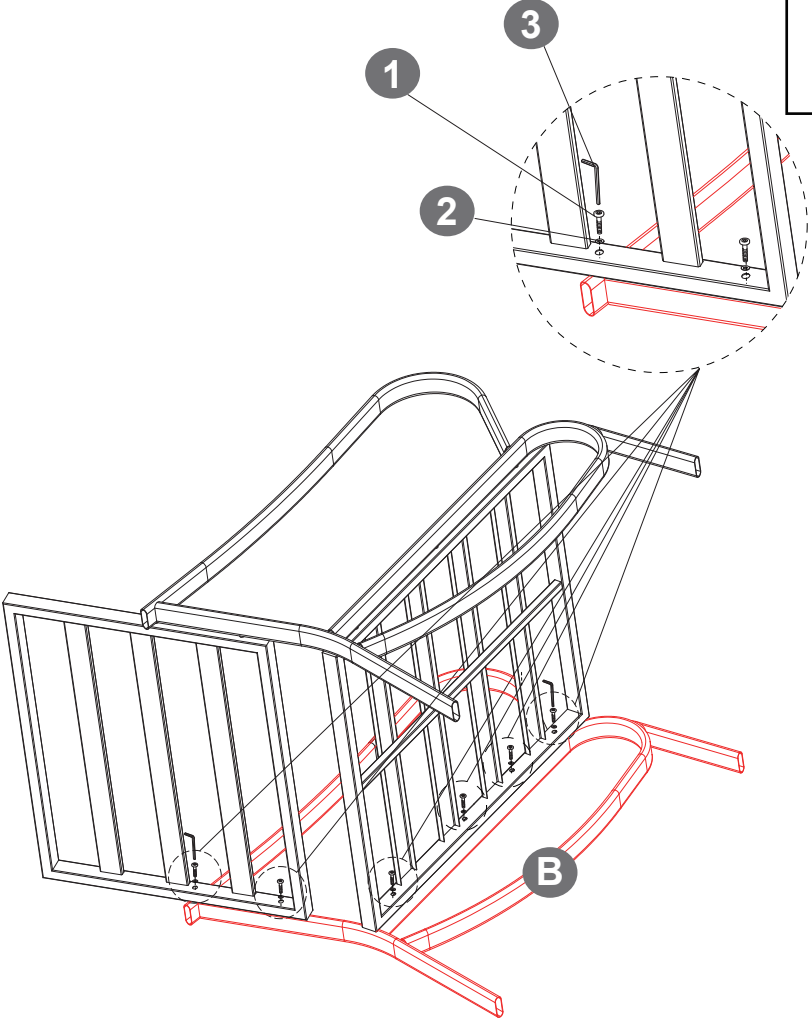
1		2PCS
2		2PCS



# STEP

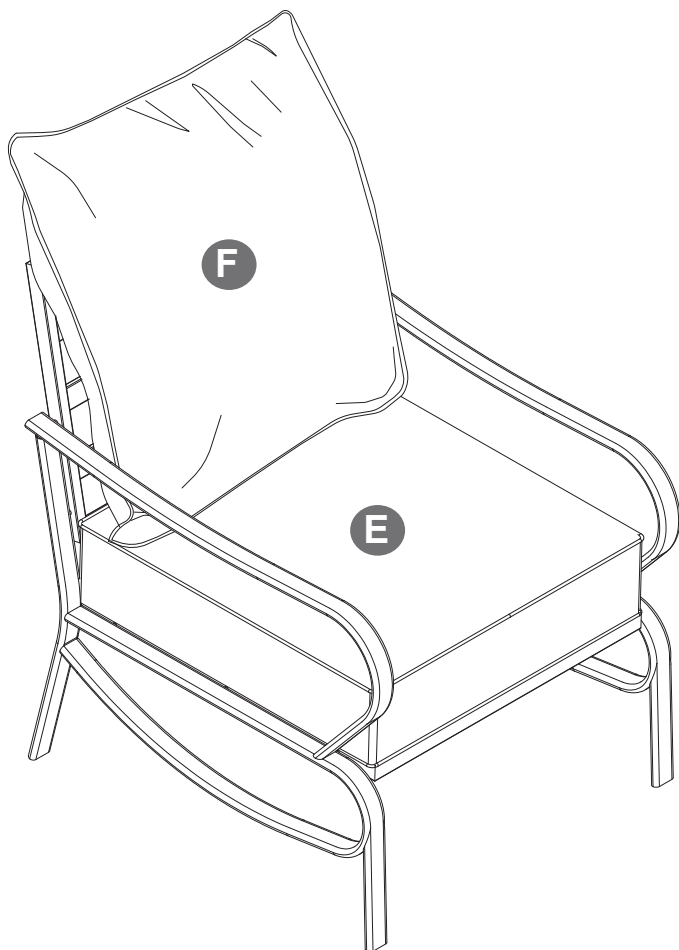
3

<b>1</b>		6PCS
<b>2</b>		6PCS



# STEP

4



# AFTER-SALE SERVICE

If you have any suggestions for our products or find that the products have quality problems, please contact us first, our after-sales team will reply you within 24 hours, and we will do our best to give you solutions until you are satisfied.

## Guaranteed Customer Service

Your shopping experience is very important to us!

Feel unsatisfied? **Contact us!**

Have any questions? such as **MISSING PARTS** or **DAMAGED PRODUCTS? Contact us!**

Wanna Share how wonderful our smart promakes your home?

Share your pictures with us.

Any suggestions? **Contact us!**

We gotcha back!