

ASSEMBLY INSTRUCTION

Thank you for purchasing this quality product. Be sure to check all packing material carefully for small parts which may have come loose inside the carton during shipment. Separate, identify and count all parts and hardware. Compare with the parts list to be sure all parts are present.

IMPORTANT : PLEASE READ INSTRUCTION BEFORE STARTING THE ASSEMBLY.

"DO NOT TIGHTEN SCREWS UNTIL COMPLETELY ASSEMBLED"

"DO NOT OVERTIGHT ANY HARDWARE"

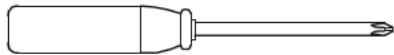
WARNING : SMALL PARTS AND HARDWARE NOT FOR CHILDREN UNDER 3 YEARS. ADULT ASSEMBLY REQUIRED.

TABLE OF CONTENTS

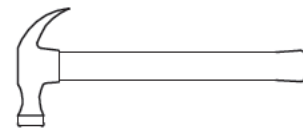
HARDWARES LIST	PAGE 2
PARTS LIST	PAGE 3 - 4
PARTS' LOCATION	PAGE 5
ASSEMBLY STEPS	PAGE 6 - 14
ASSEMBLY COMPLETED	PAGE 14

ASSEMBLY TOOLS REQUIRED

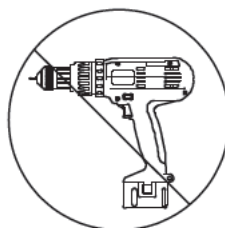
1. Screwdriver (not provide)



2. Hammer (not provide)


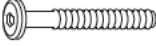





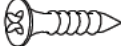
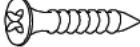






Skip the power drill this time.



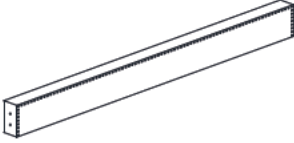
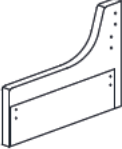
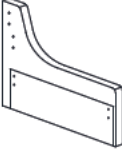
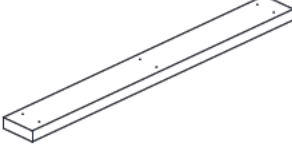
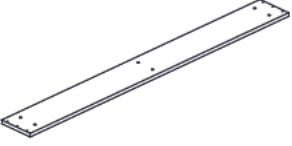
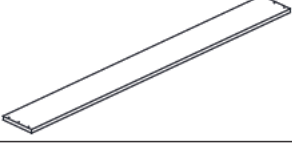
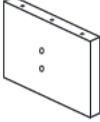
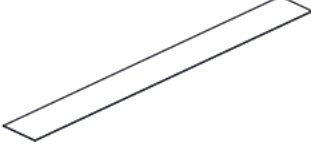
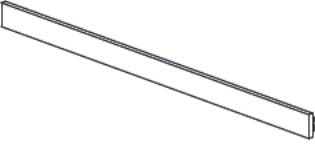

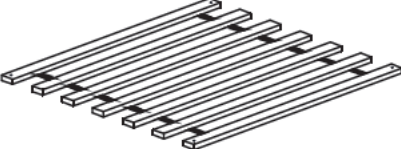
ASSEMBLY INSTRUCTION

HARDWARES LIST

ITEM	DESCRIPTION	DRAWING	QTY
A	JCBB SCREW M8 x 20MM		8 PCS
B	JCBC SCREW M6 x 40MM		14 PCS
C	SPRING WASHER M6 x 12MM		14 PCS
D	FLAT WASHER M6 x 19MM		4 PCS
E	WOOD DOWEL M6 x 30MM		32 PCS
F	MINIFIX CAM LOCK		20 PCS
G	MINIFIX BOLT		20 PCS
H	CSK C/B SCREW (M4 x 16MM)		32 PCS
I	CSK C/B SCREW (M4 x 32MM)		12 PCS
J	NAIL		28 PCS
K	M4 ALLEN KEY (100MM)		1 PC
L	M5 ALLEN KEY (65MM)		1 PC
M	WOOD DOWEL M8 x 30MM		8 PCS

ASSEMBLY INSTRUCTION


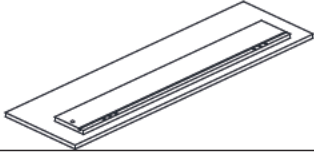

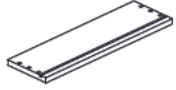

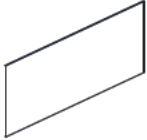

PARTS LIST

ITEM	DESCRIPTION	DRAWING	QTY
1	BACK REST		1 PC
2	SIDE PANEL (L)		1 PC
3	SIDE PANEL (R)		1 PC
4	BOOKCASE PANEL WITH FABRIC		1 PC
5	BOOKCASE PANEL (TOP)		1 PC
6	BOOKCASE PANEL (BOTTOM)		1 PC
7	BOOKCASE SIDE PANEL		2 PCS
8	BOOKCASE BACK PANEL		1 PC
9	FRONT SIDE RAIL		1 PC
10	BACK SIDE RAIL		1 PC
11	DAYBED SLAT		2 PCS

MORE PARTS DETAIL IN NEXT PAGE...

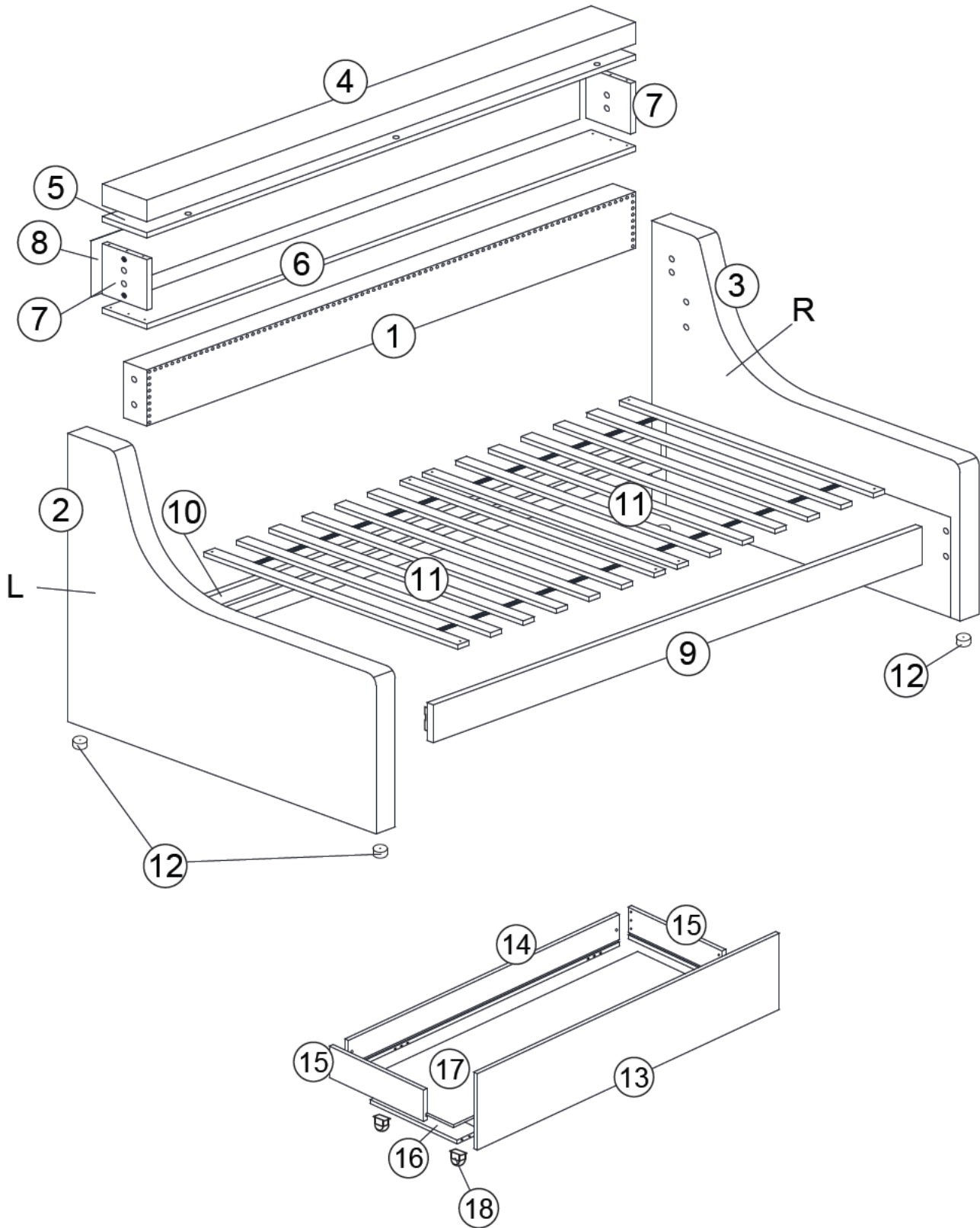
ASSEMBLY INSTRUCTION

PARTS LIST

ITEM	DESCRIPTION	DRAWING	QTY
12	LEG		4 PCS
13	DRAWER FRONT PANEL		2 PCS
14	DRAWER BACK PANEL		2 PCS
15	DRAWER SIDE PANEL		4 PCS
16	DRAWER SUPPORT		4 PCS
17	DRAWER PANEL		2 PCS
18	CASTOR		8 PCS

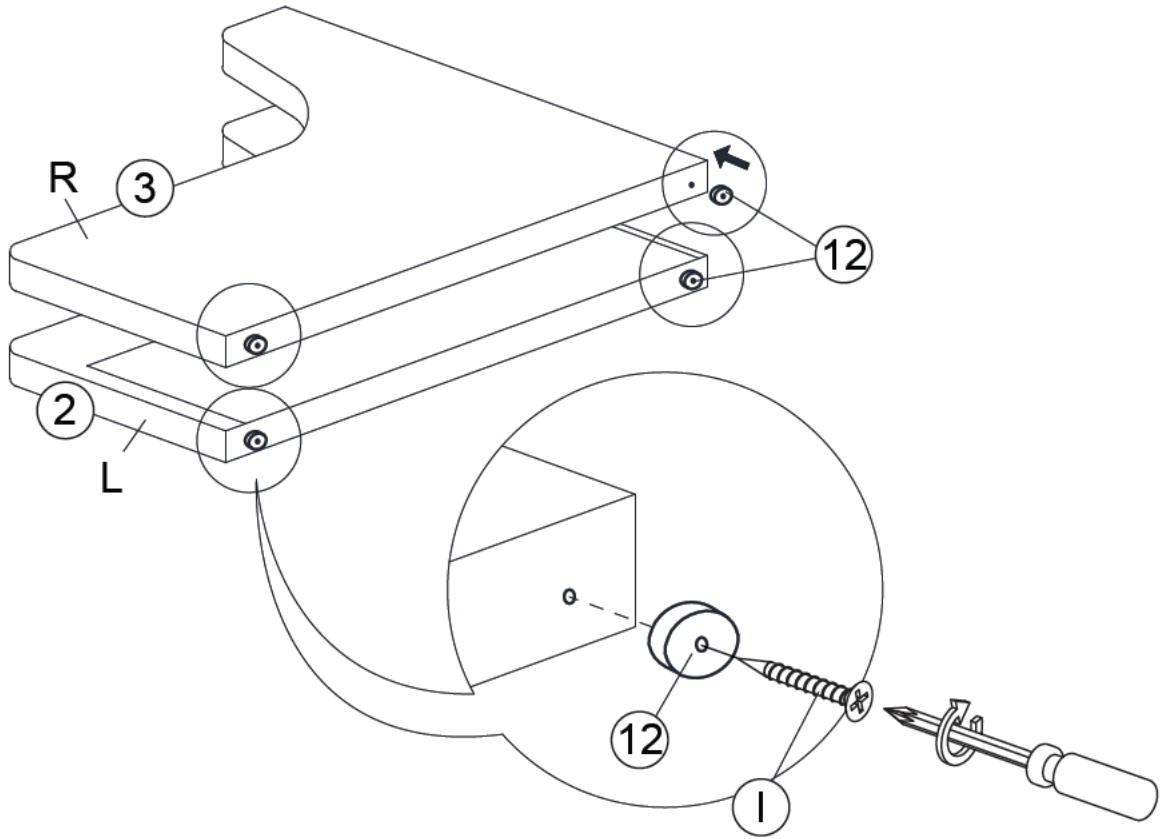
ASSEMBLY INSTRUCTION

PARTS ' LOCATION

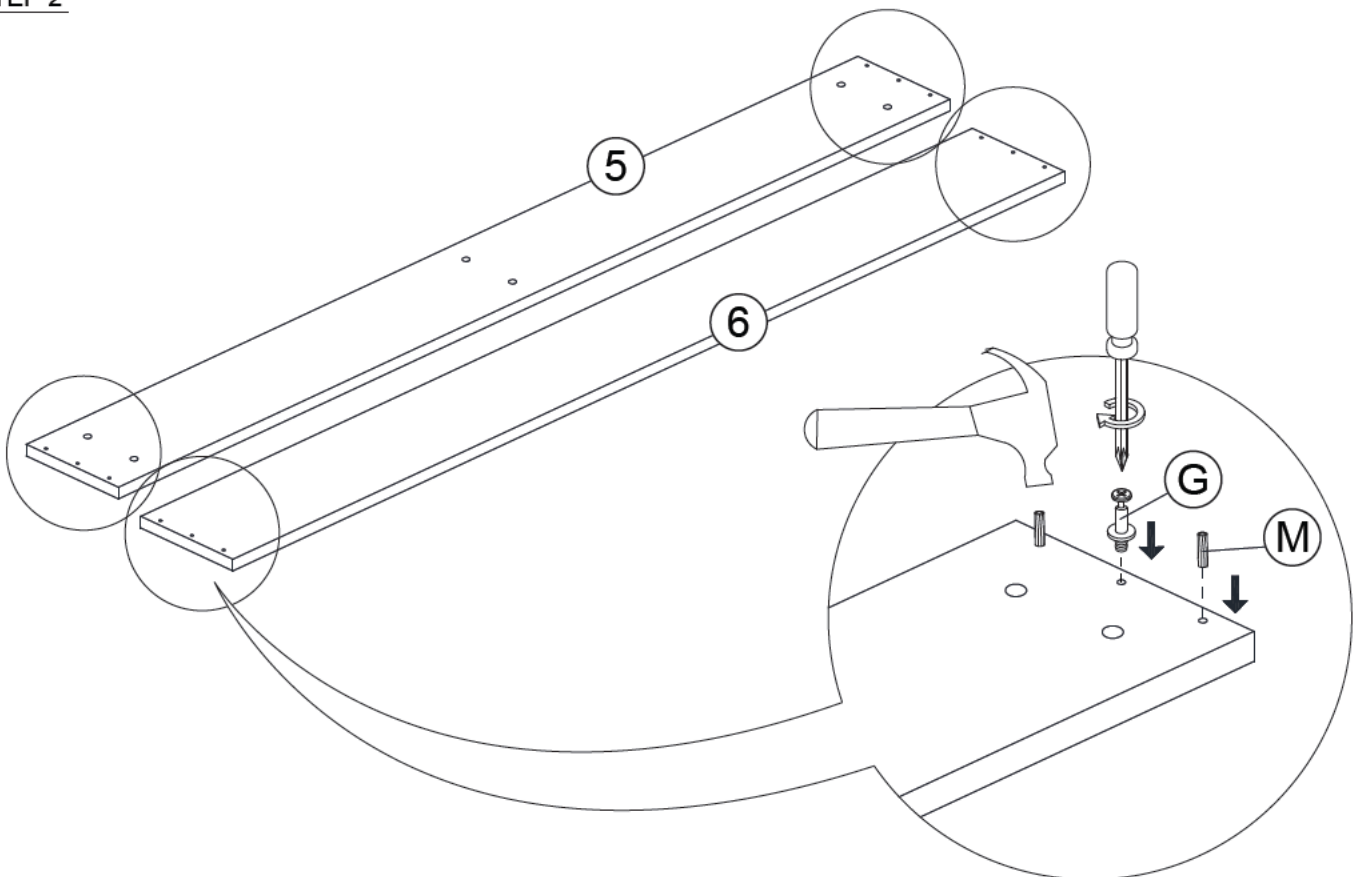


ASSEMBLY INSTRUCTION

STEP 1



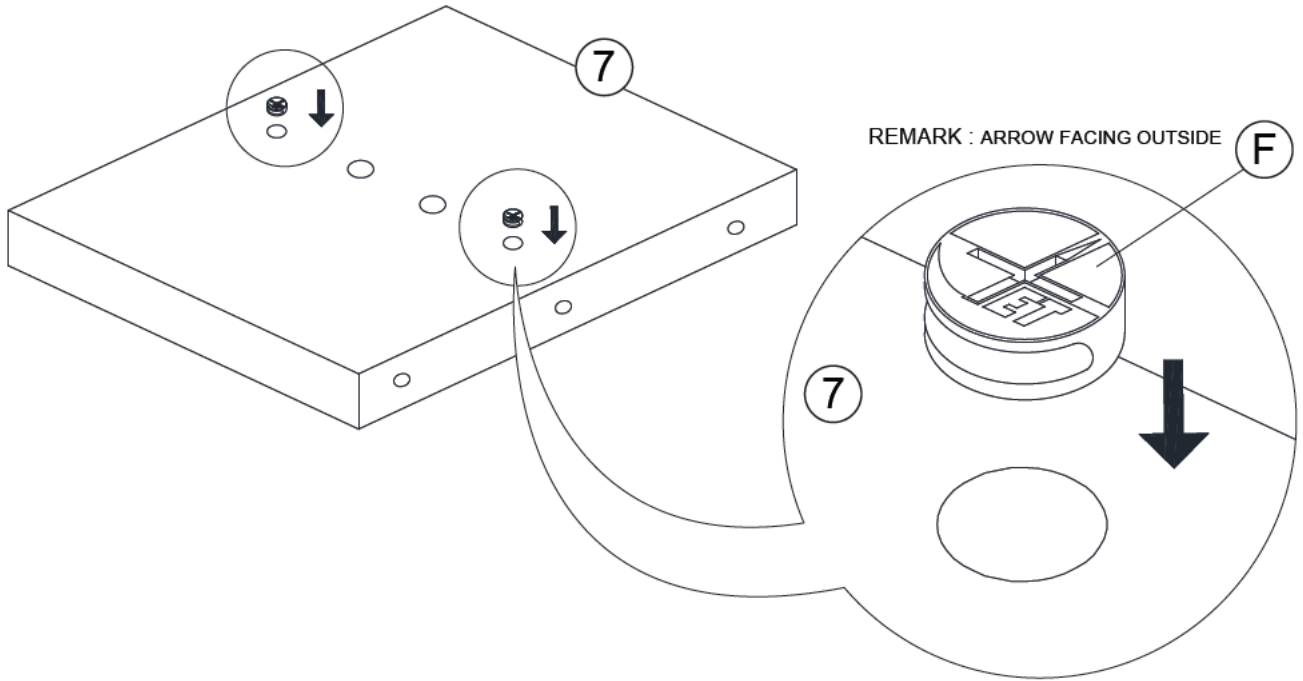
STEP 2



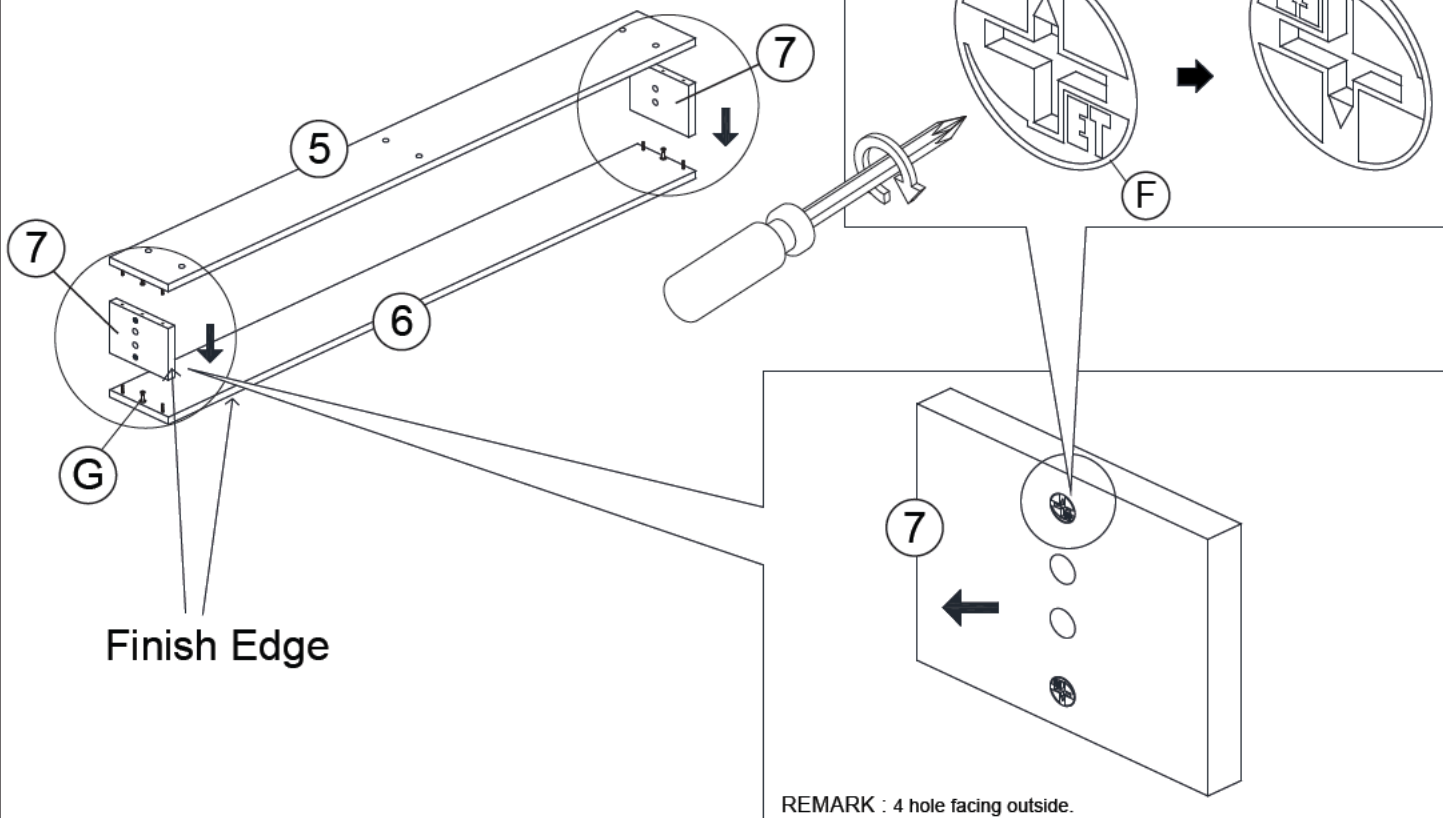
ASSEMBLY INSTRUCTION

STEP 3

x2

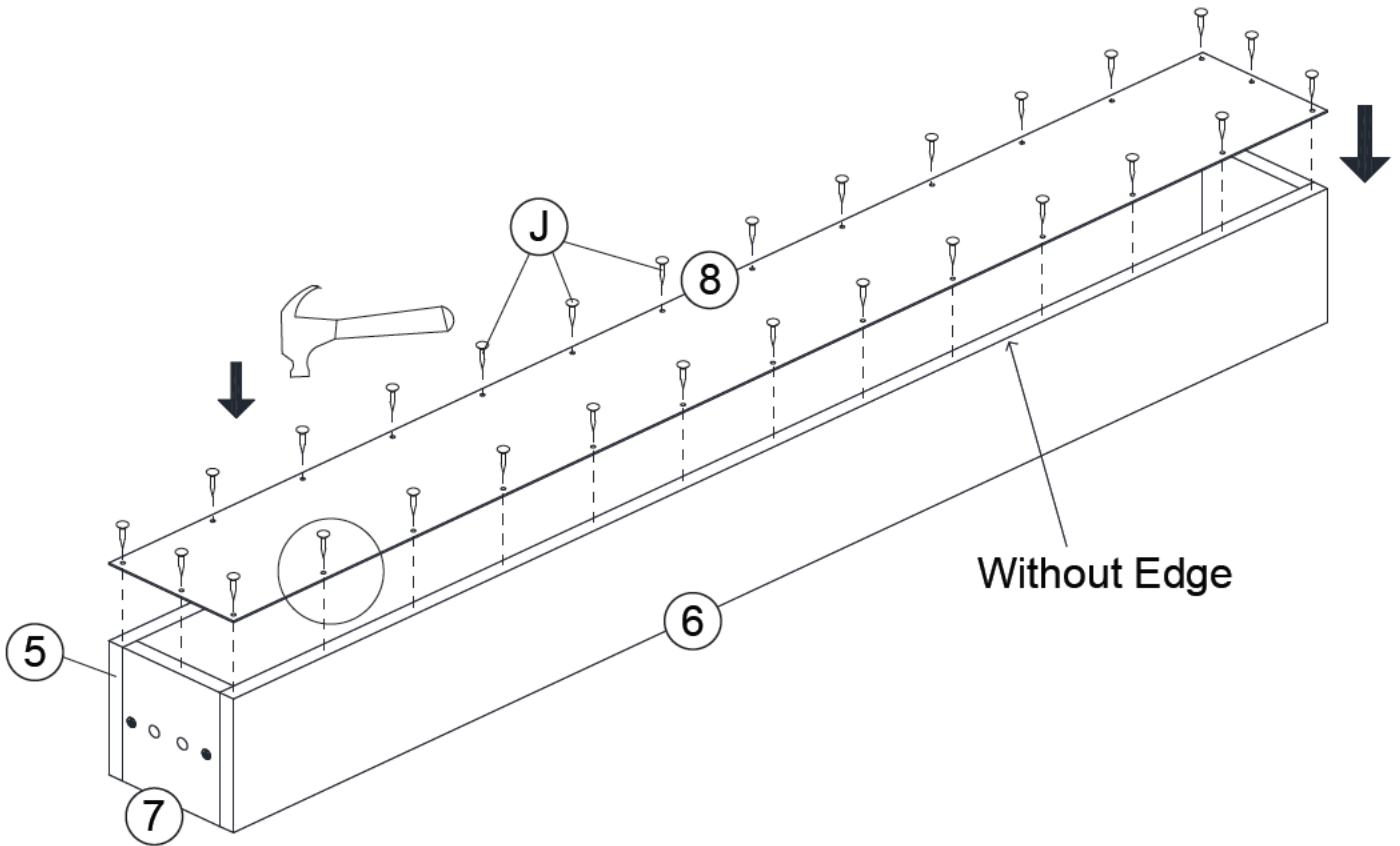


STEP 4

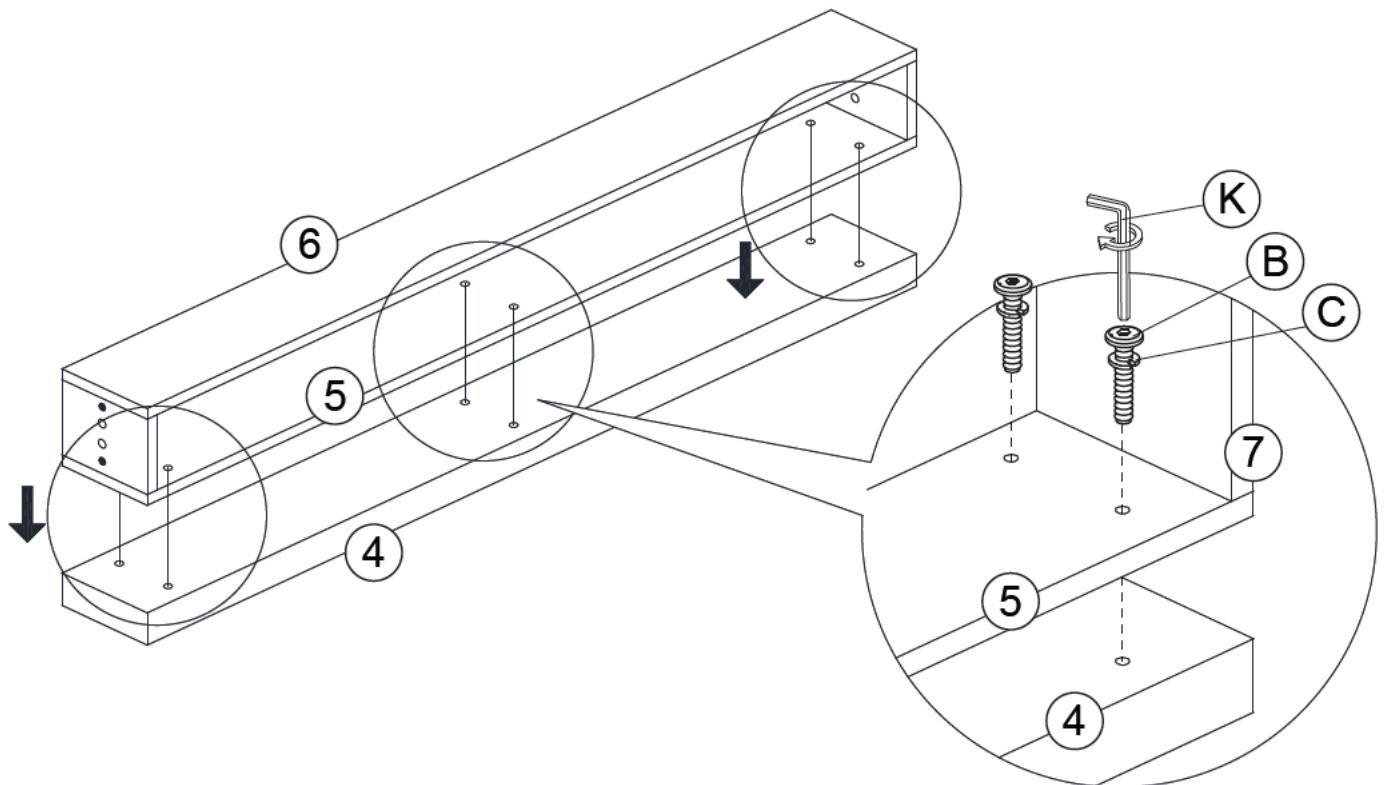


ASSEMBLY INSTRUCTION

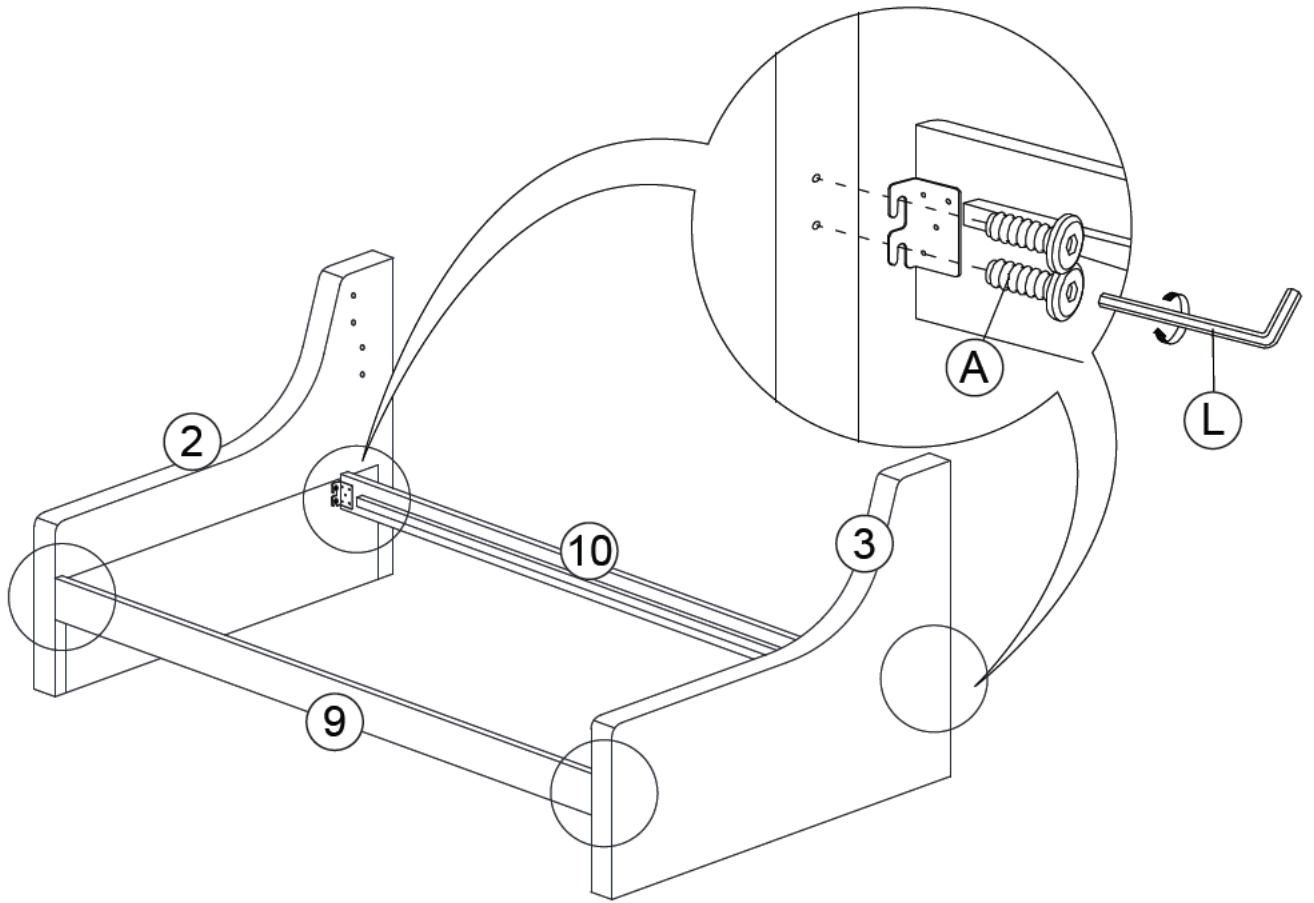
STEP 5



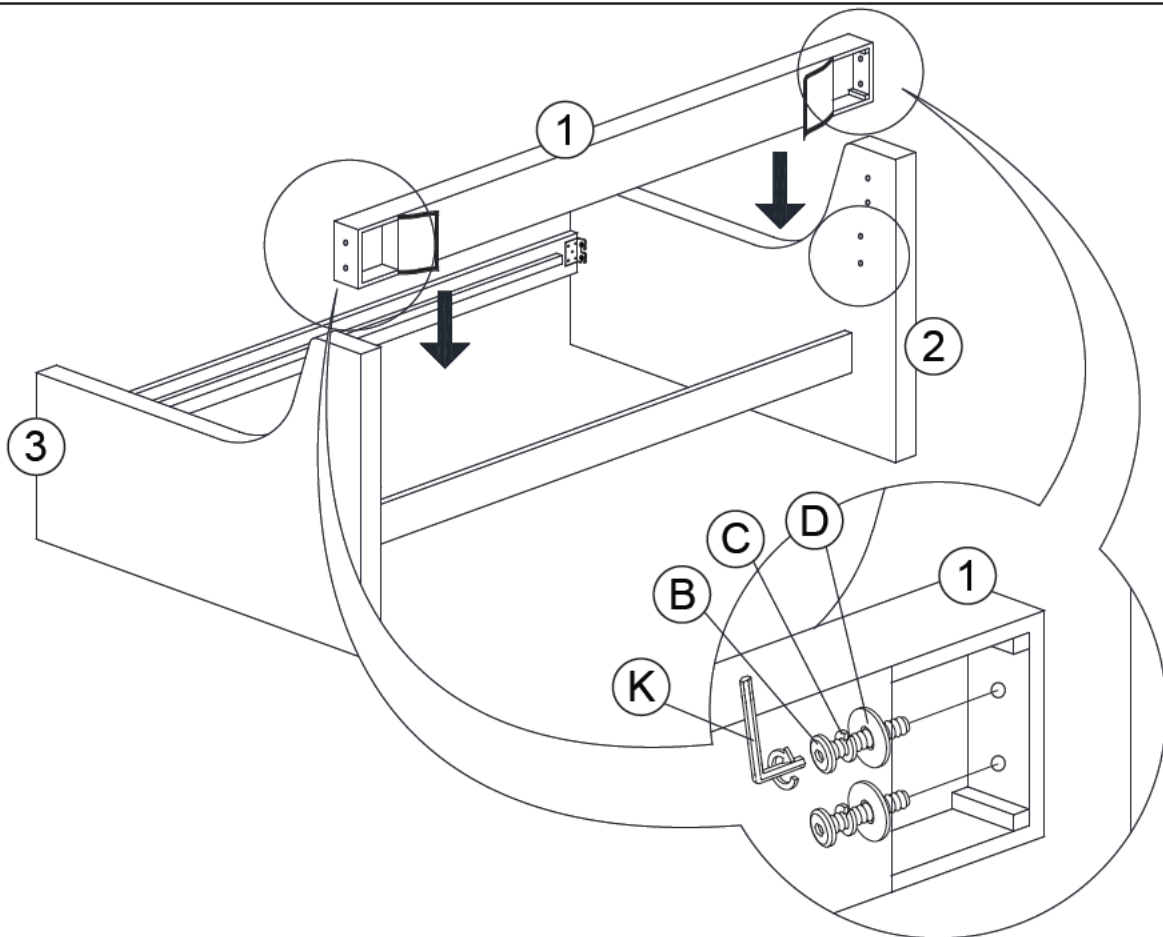
STEP 6



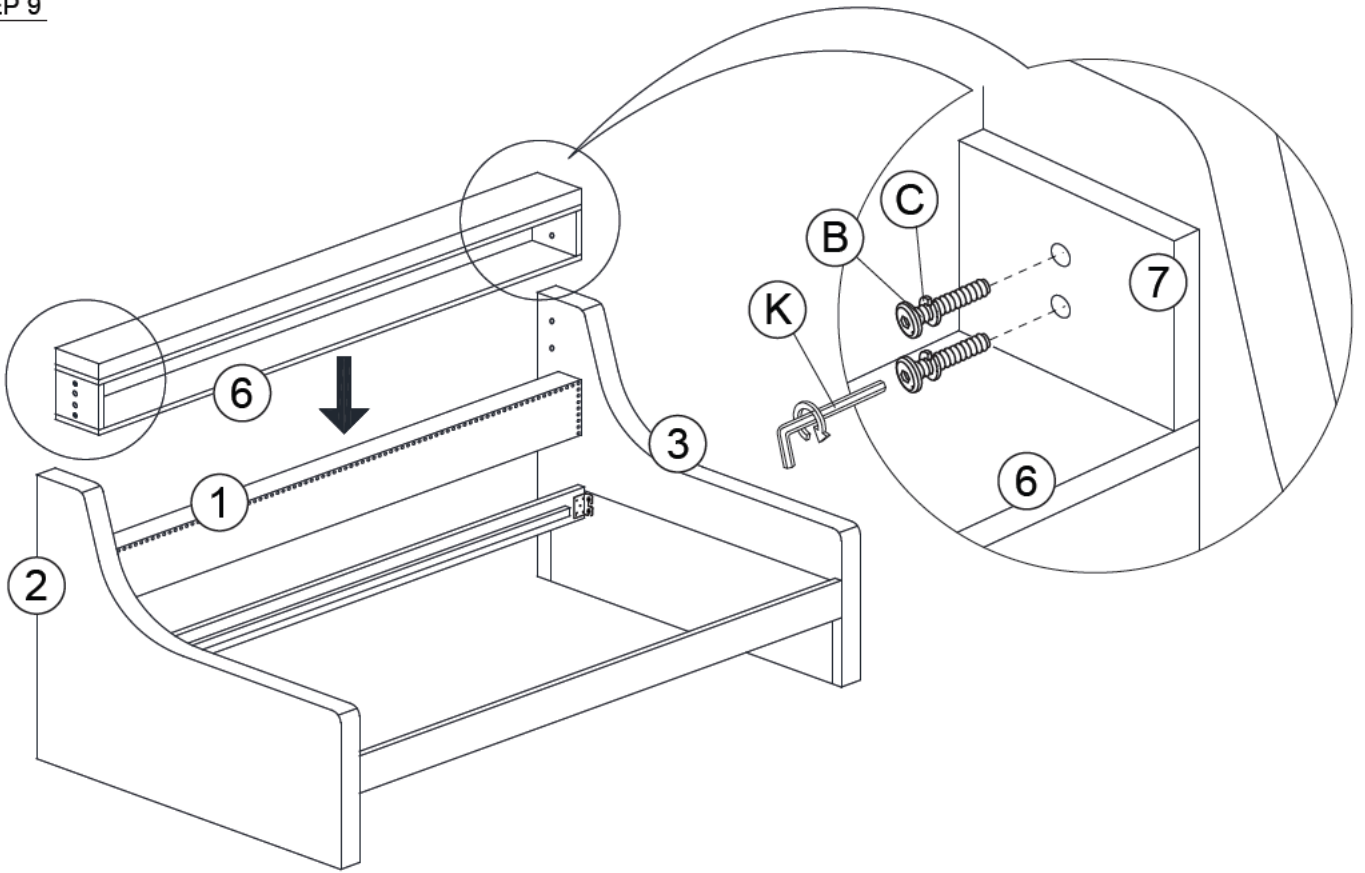
STEP 7



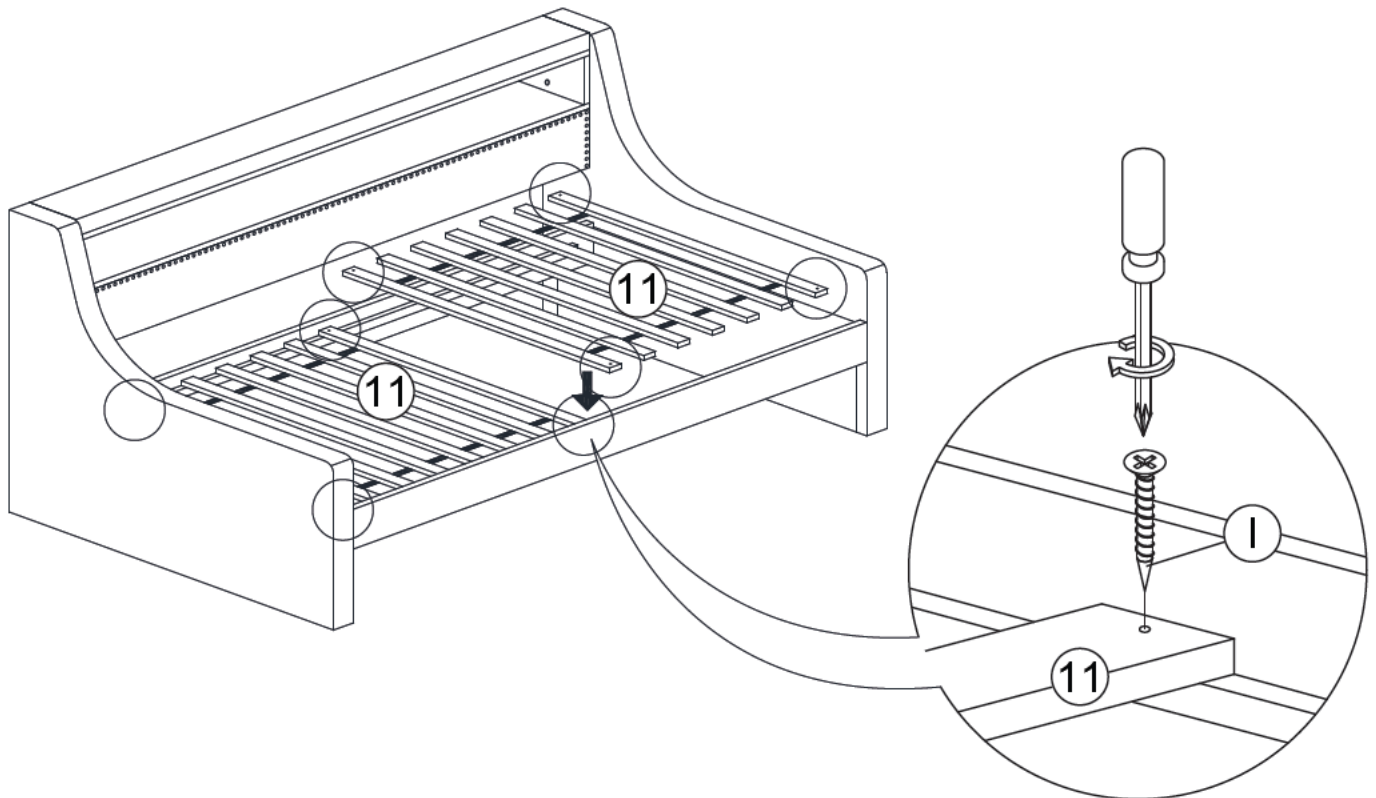
STEP 8



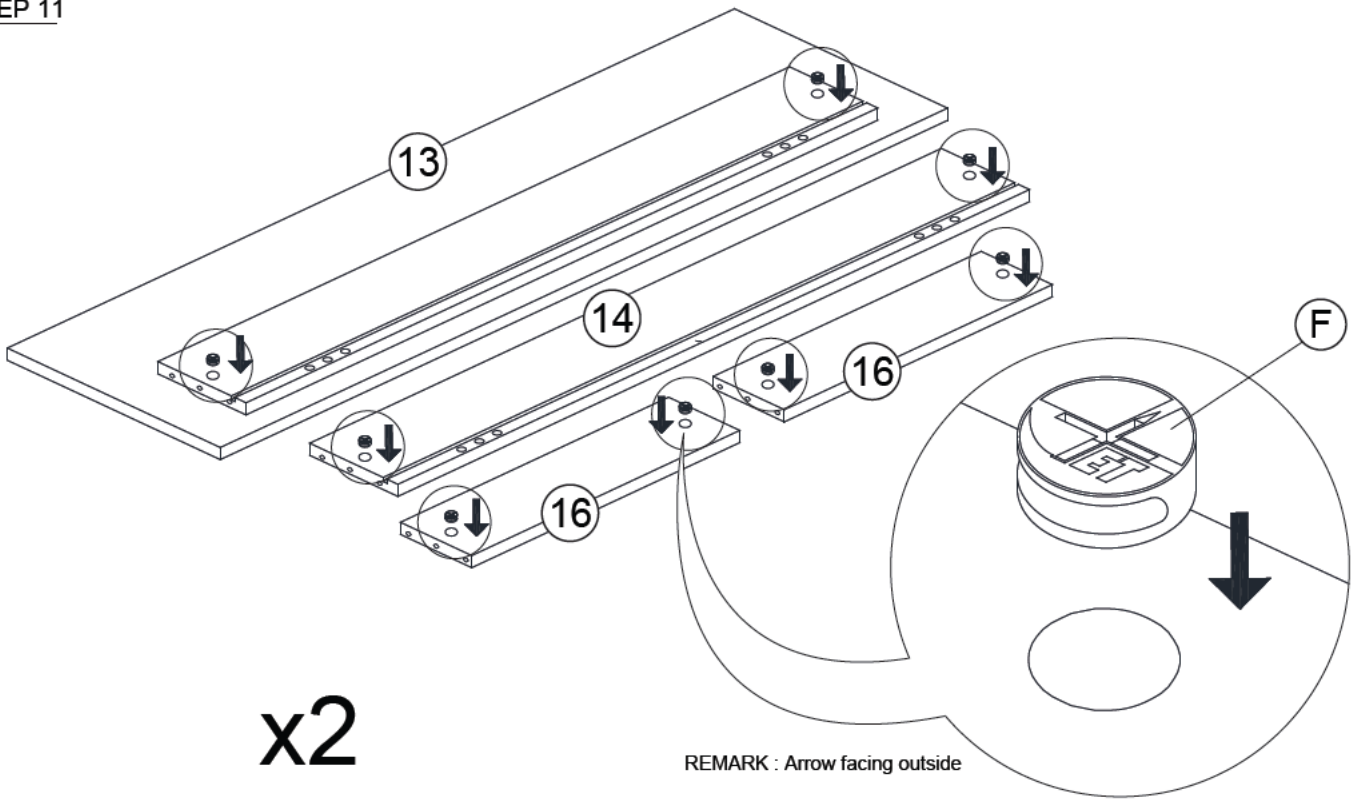
STEP 9



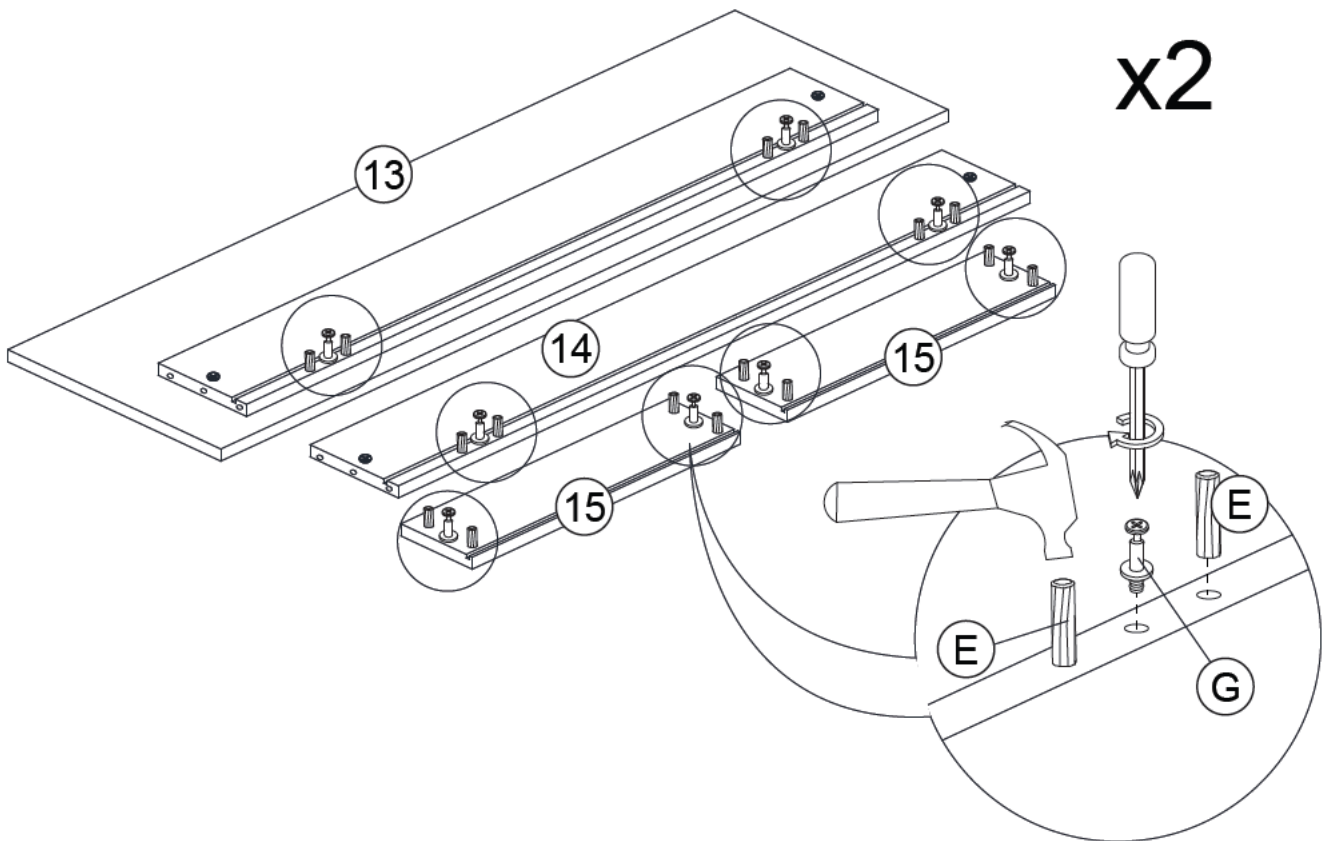
STEP 10



STEP 11

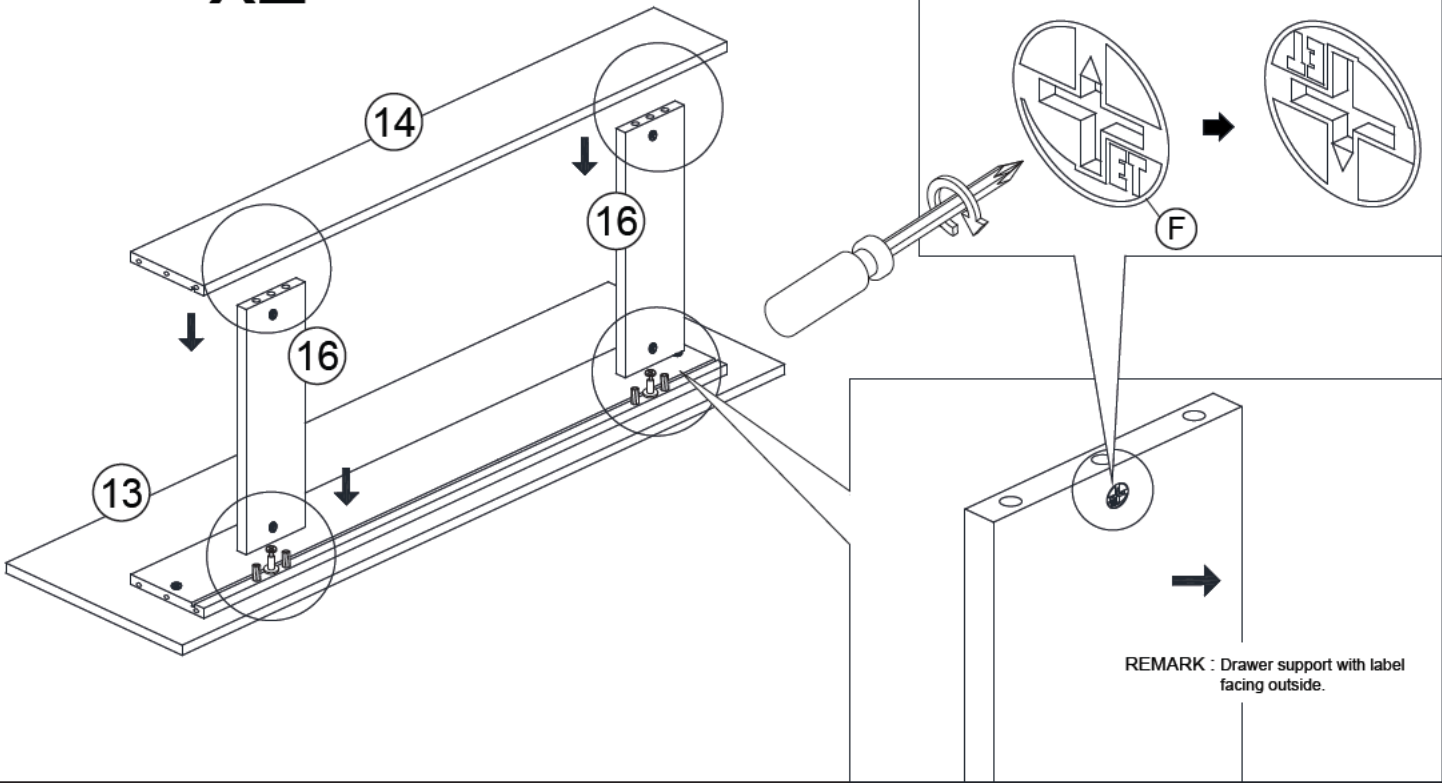


STEP 12



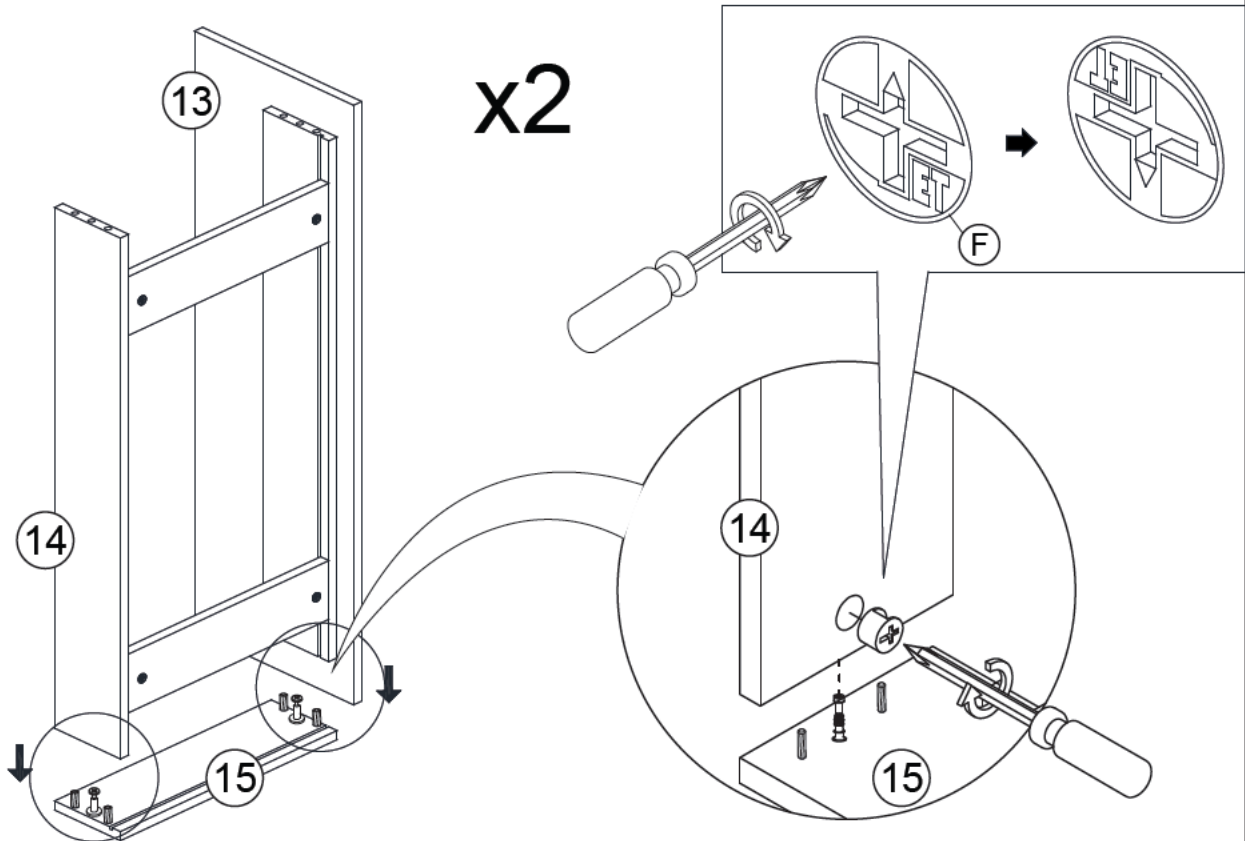
STEP 13

x2



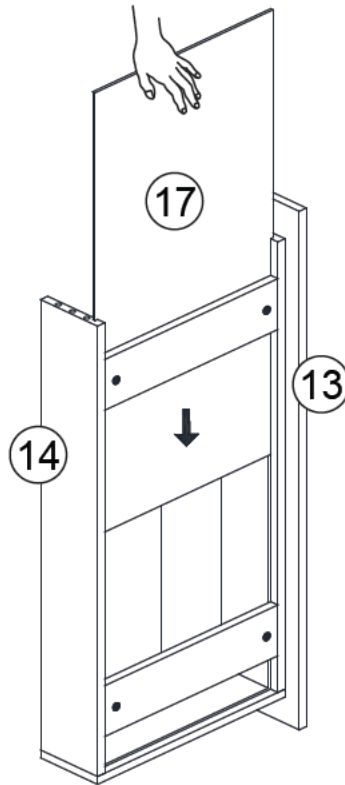
STEP 14

x2



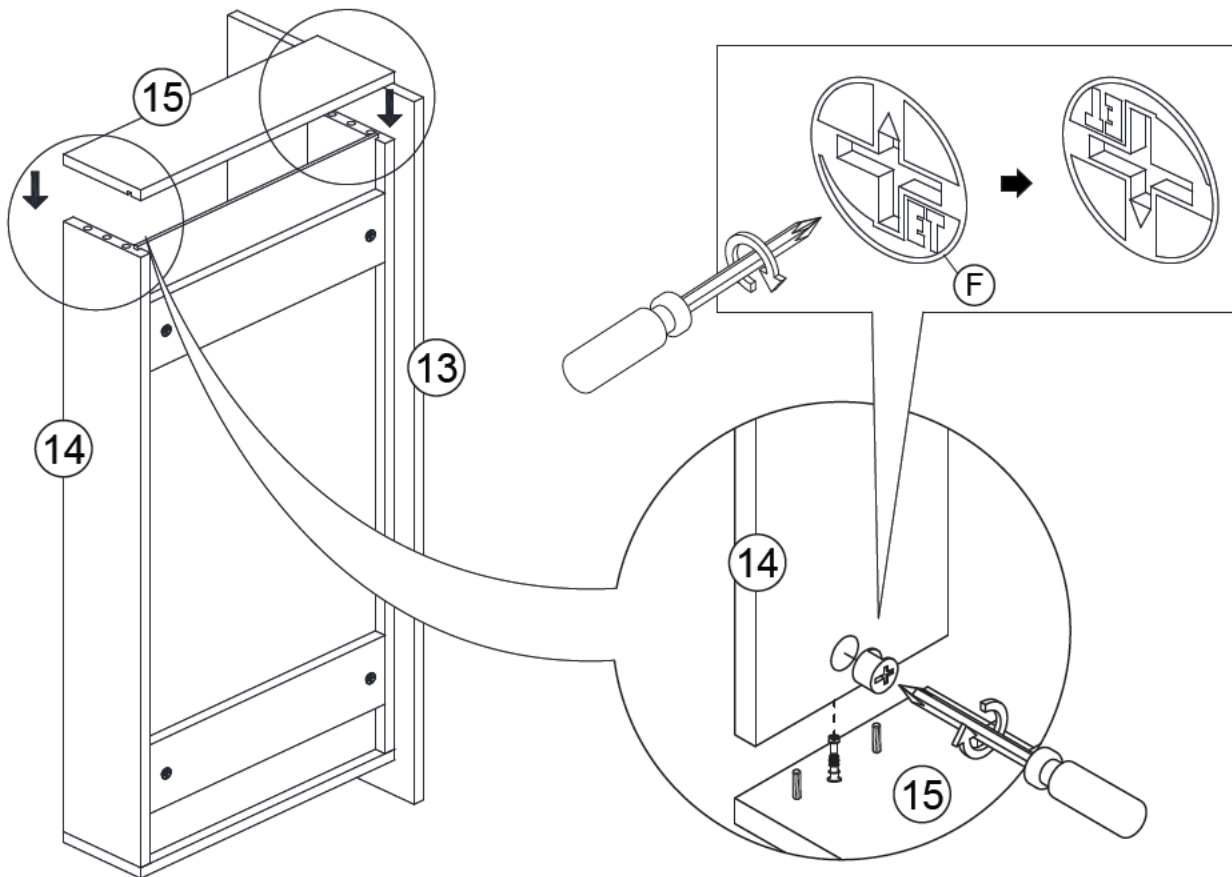
STEP 15

x2

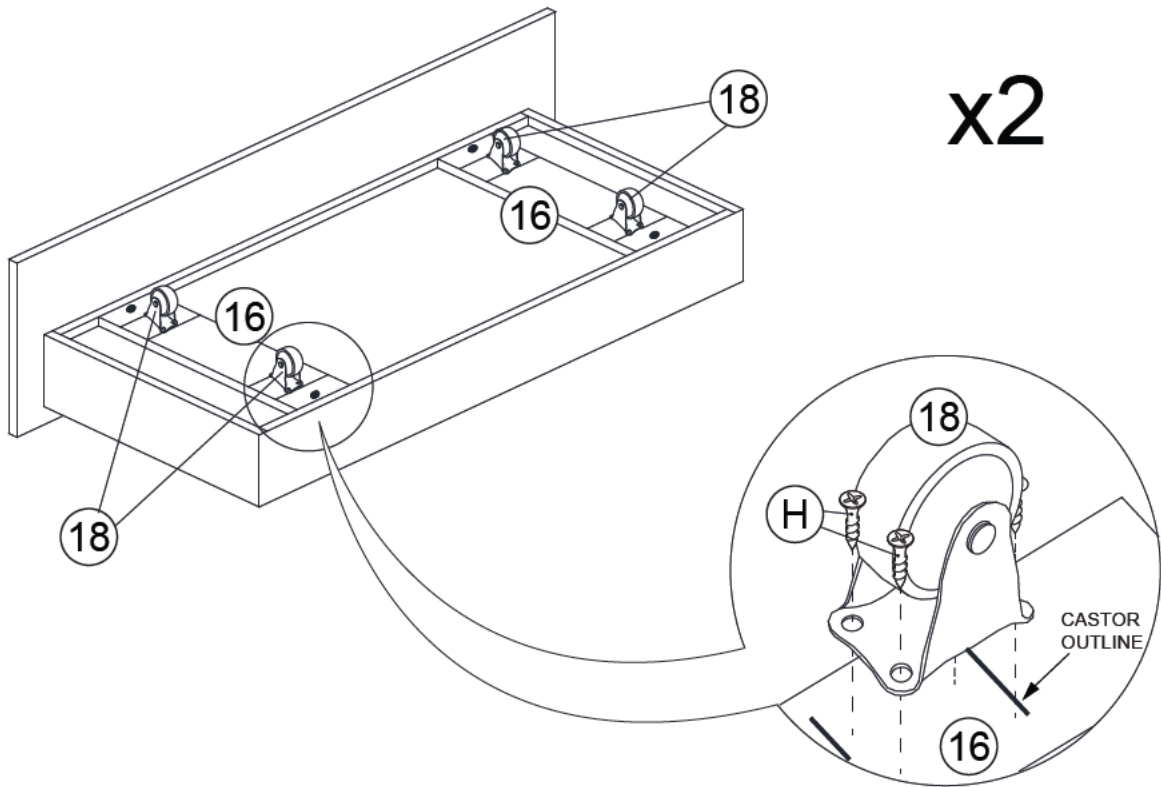


STEP 16

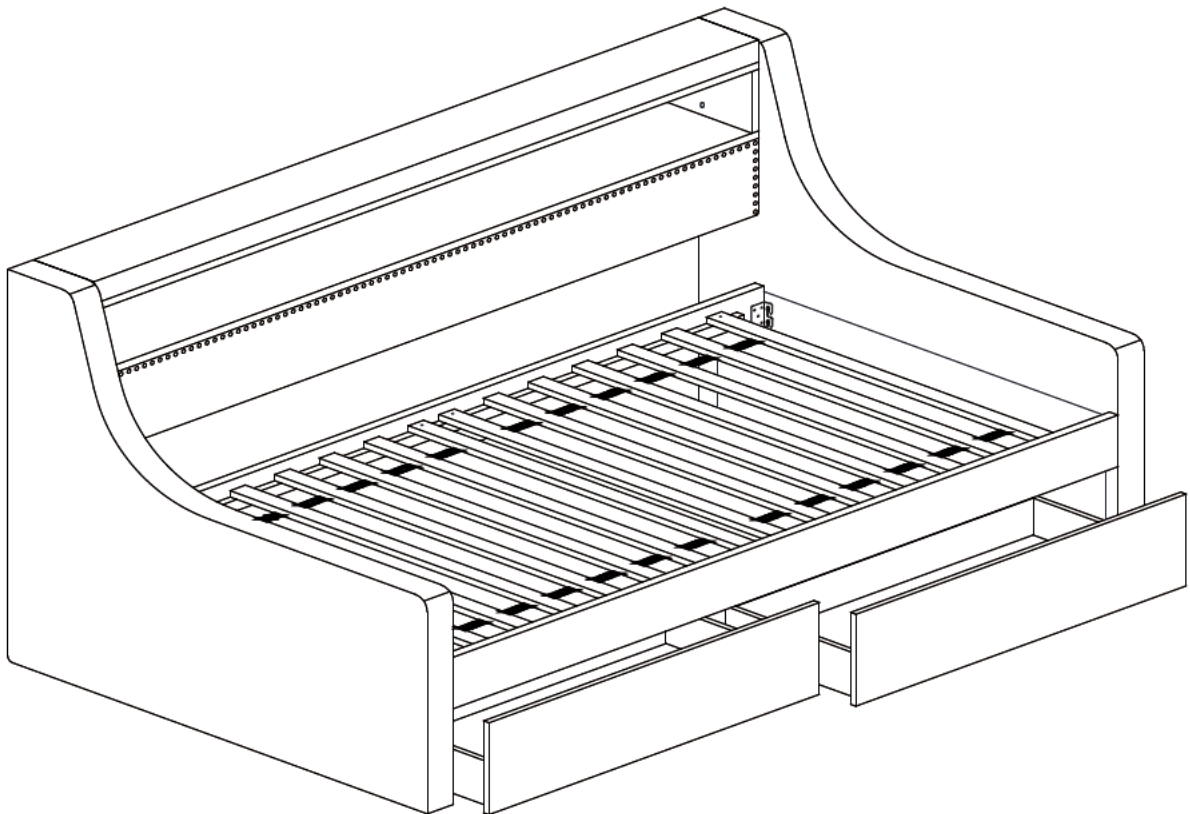
x2



STEP 17



STEP 18



ASSEMBLY COMPLETED