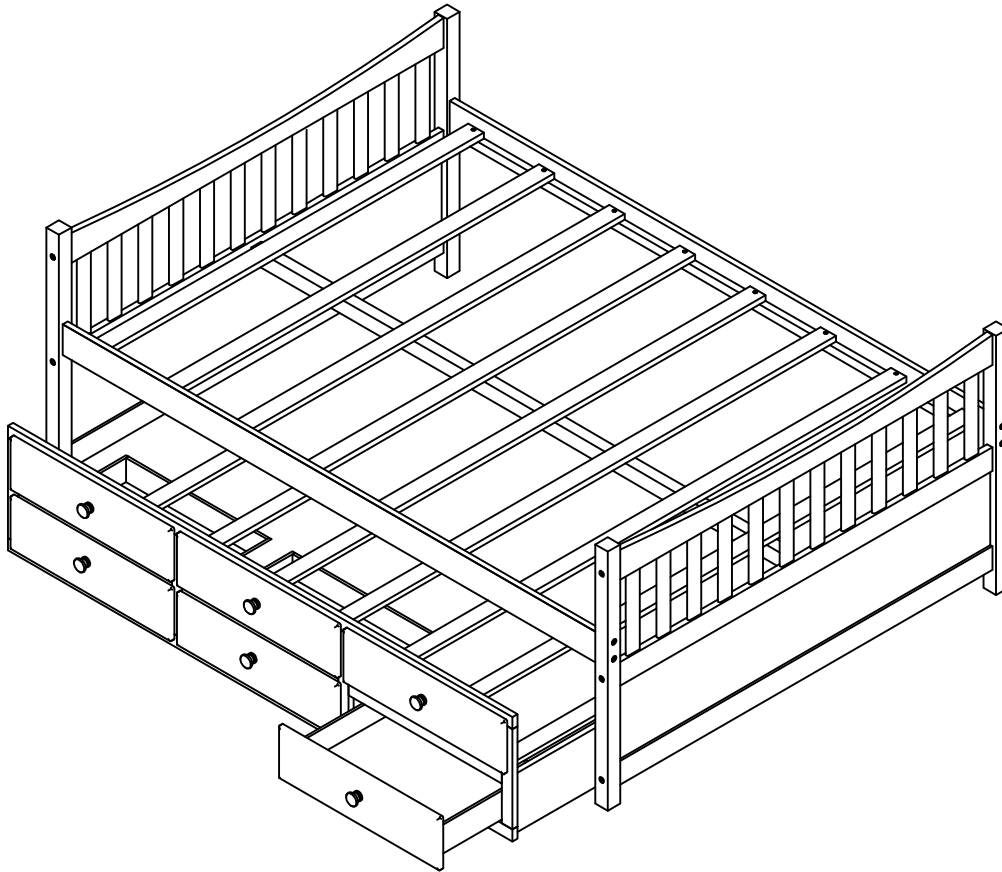
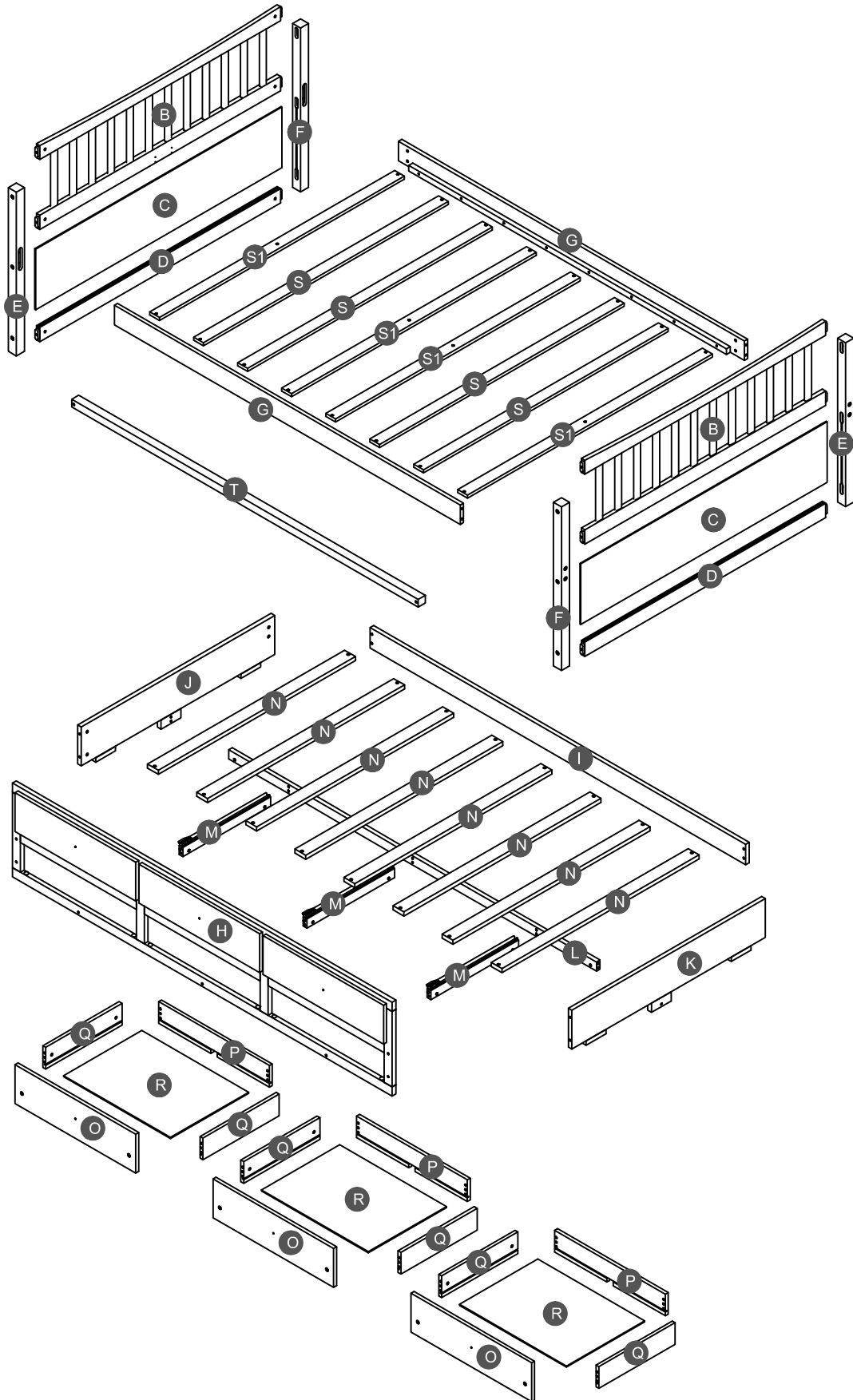


ASSEMBLY INSTRUCTIONS







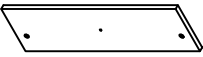


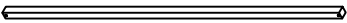
FULL CAPTAIN BED



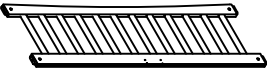



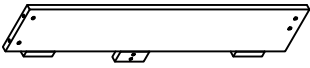
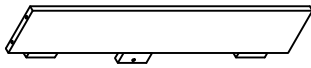

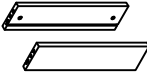

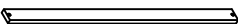
Detail View



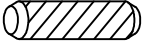
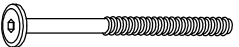
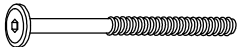
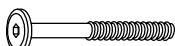


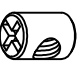


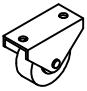



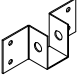
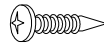
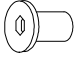
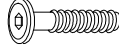
Part List

| | | |
|---|---|---|
| <p>D</p>  <p>Horizontal bar - 2pcs</p> | <p>G</p>  <p>Side rail - 2pcs</p> | <p>H</p>  <p>Front panel of trundle - 1pc</p> |
| <p>I</p>  <p>Back panel side rail of trundle -1pc</p> | <p>L</p>  <p>Support rail of trundle -1pc</p> | <p>S</p>  <p>Slats - 4pcs</p> |
| <p>O</p>  <p>Front drawer panel - 3pcs</p> | <p>P</p>  <p>Back drawer panel - 3pcs</p> | <p>S1</p>  <p>Slats - 4pcs</p> |
| <p>T</p>  <p>Lower support slat - 1pc</p> | | |

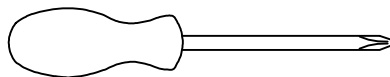
Hardware List

| | | |
|---|---|---|
| <p>B</p>  <p>HB & FB - 2pcs</p> | <p>C</p>  <p>Side panel - 2pcs</p> | <p>E</p>  <p>Leg HB & FB (Left) - 2pcs</p> |
| <p>F</p>  <p>Leg HB & FB (Right) - 2pcs</p> | <p>J</p>  <p>Left side panel of trundle -1pc</p> | <p>K</p>  <p>Right side panel of trundle -1pc</p> |
| <p>M</p>  <p>Support drawer -3pcs</p> | <p>Q</p>  <p>Left / right drawer panel - 6pcs</p> | <p>R</p>  <p>Drawer bottom - 3pcs</p> |
| <p>N</p>  <p>Slats - 8pcs</p> | | |

Hardware List

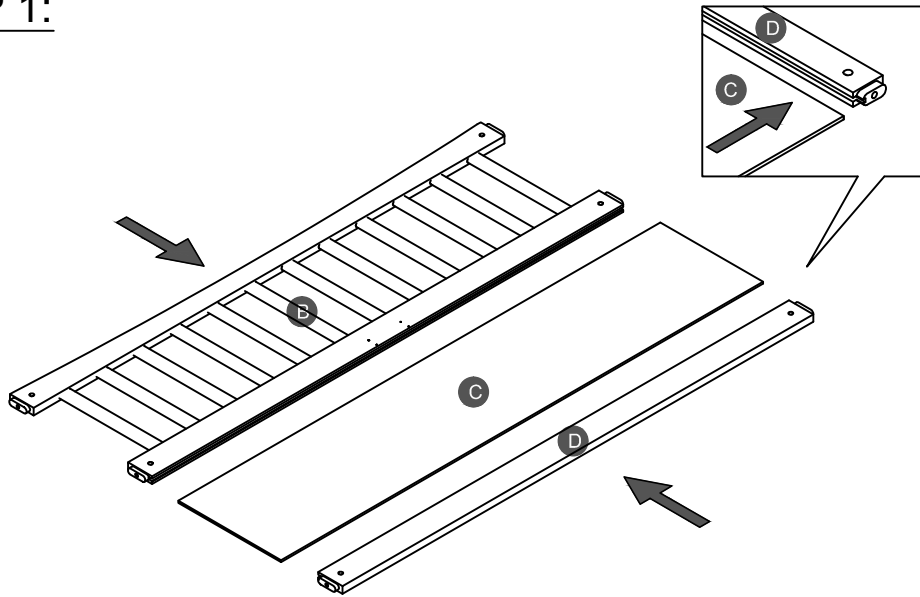
| | | |
|--|---|---|
| 1  Ø8*30mm Wood dowel (26pcs) | 2  (Ø15)1/4"*100mm Hex-Head bolts (8pcs) | 3  (Ø15)1/4"*80mm Hex-Head bolts (12pcs) |
| 4  (Ø12)1/4"*60mm Hex-Head bolts (28pcs) | 5  Ø3.5*12mm Wood screws (9pcs) | 6  Ø3.5*19mm Wood screws (8pcs) |
| 7  1/4"*15 (9.5mm) Horizontal-Hole bolts(48pcs) | 8  Ø38*31mm Pine Knob (6pcs) | 9  3/16"*25mm Ph zinc(Knob) (6pcs) |
| 10  45*20*35mm Caster (4pcs) | 11  400*30mm Upper slider drawer (3pcs) | 12  (1/4")4.5*58mm Allen key (1pc) |
| 13  Ø4*30mm Wood screws (36pcs) | 14  116*40*27mm Metal bracket (2pcs) | 15  Ø3.5*15mm Wood screws (8pcs) |
| 16  (Ø13)1/4"*14mm Connect bolt (2pcs) | 17  (Ø12)1/4"*40mm Hex-Head bolts (2pcs) | |

ASSEMBLY TOOLS REQUIRED (NOT INCLUDED)



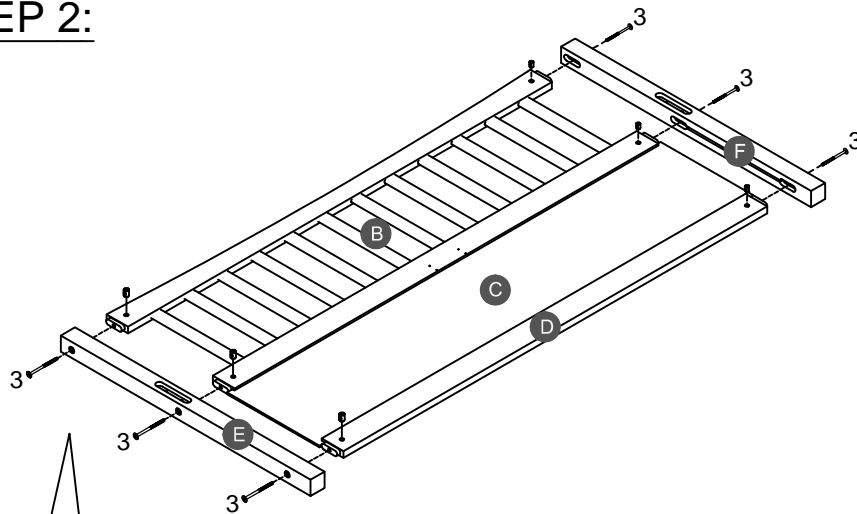
PLEASE BE CAREFUL DO NOT DAMAGE THE HOLE POSITION WHEN YOU USE POWER TOOLS !

STEP 1:

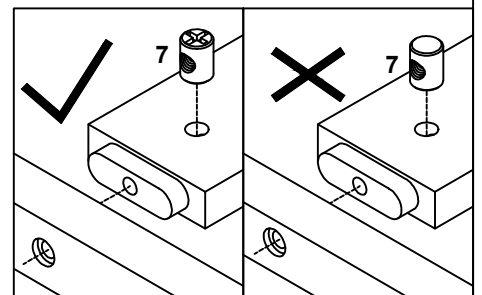
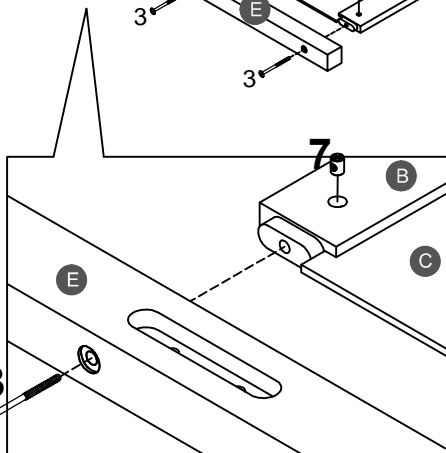


x 2

STEP 2:



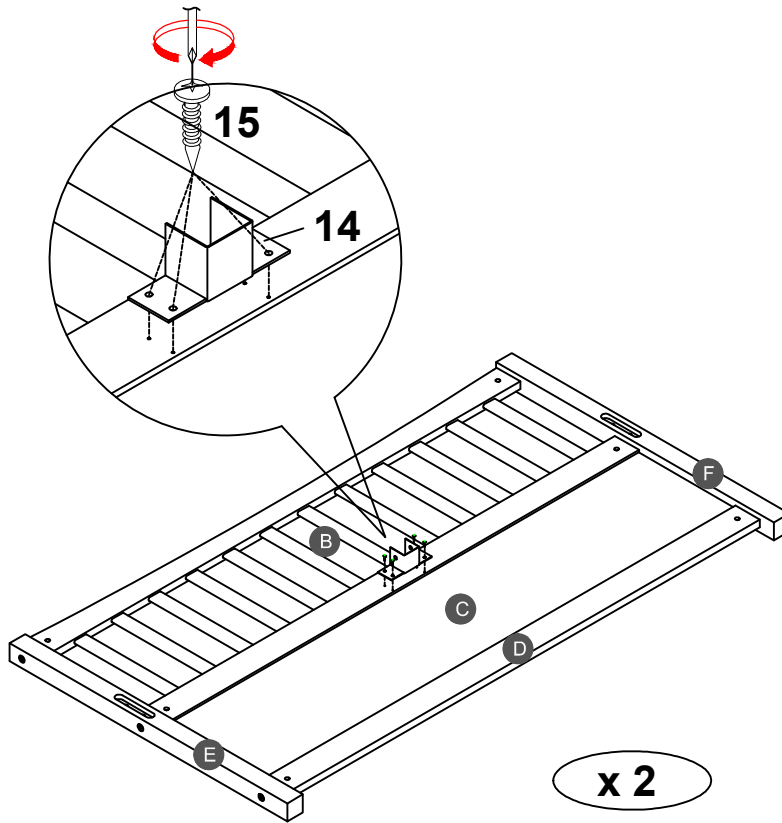
| | | | |
|----------|-------|----------|-------|
| 3 | | 7 | |
| | 12PCS | | 12PCS |

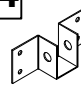



Note: Part 7 will face up with the "x" mark on it, otherwise it cannot be tightened

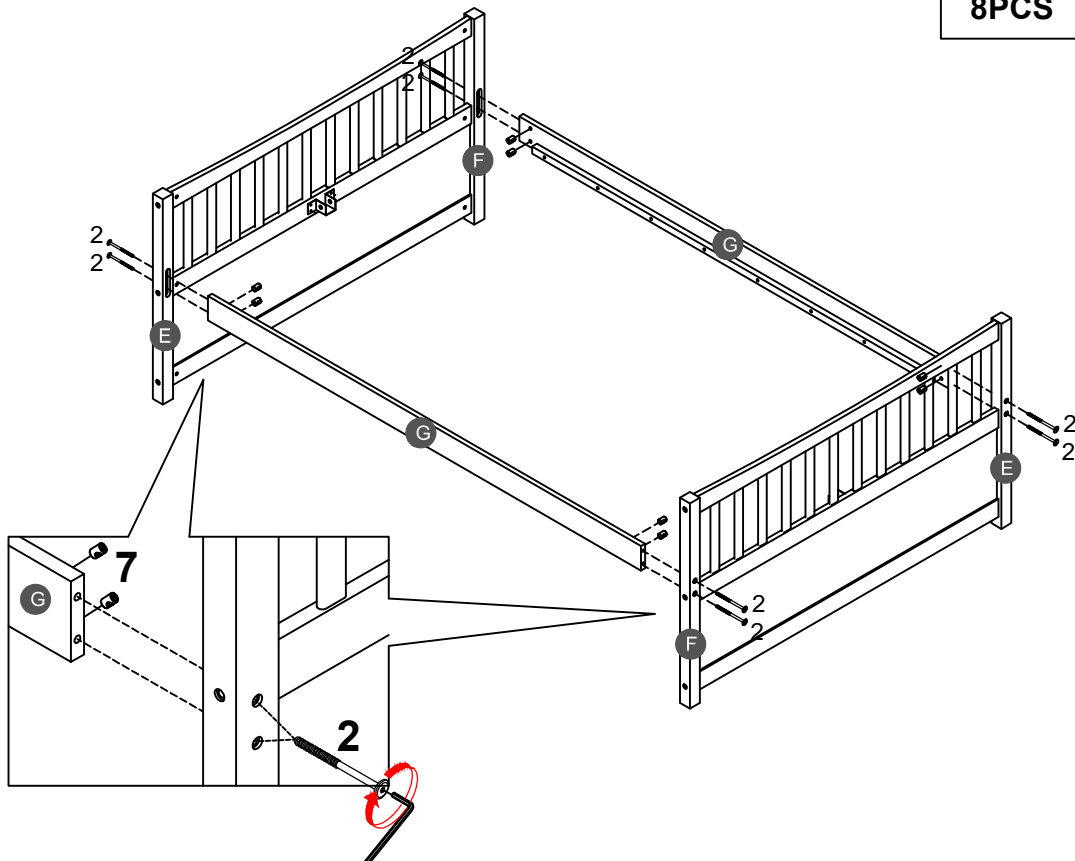
x 2



STEP 3:



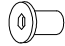
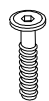
| | |
|--|--|
| 14  | 15  |
| 2PCS | 8PCS |

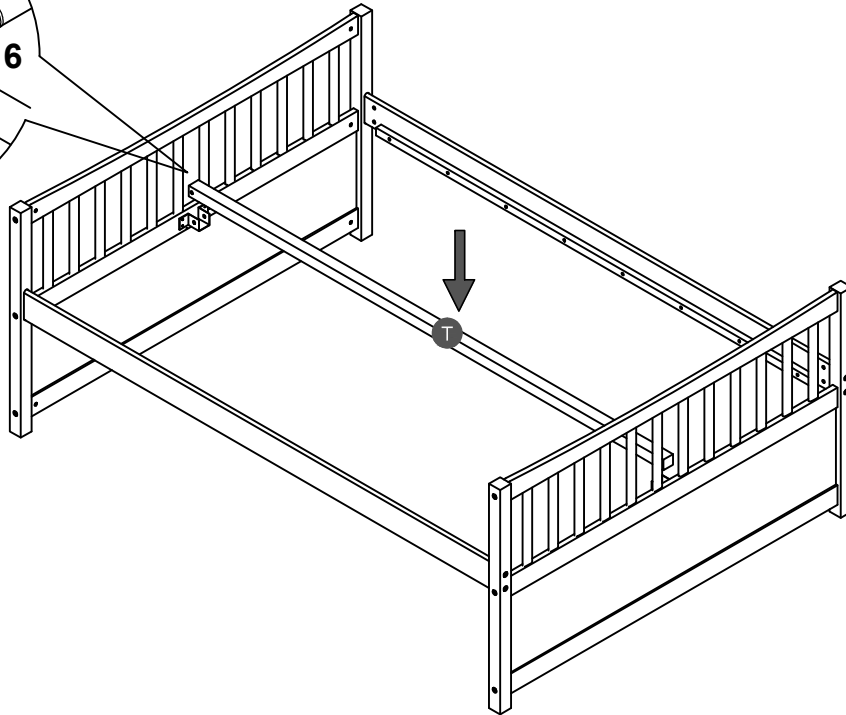
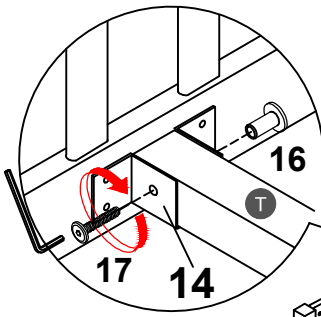
STEP 4:




| | |
|---|---|
| 2  | 7  |
| 8PCS | 8PCS |

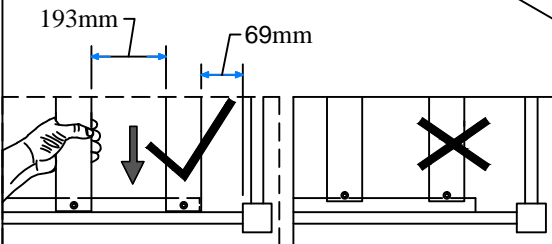
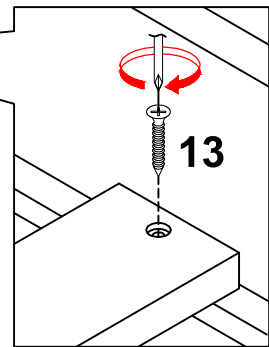
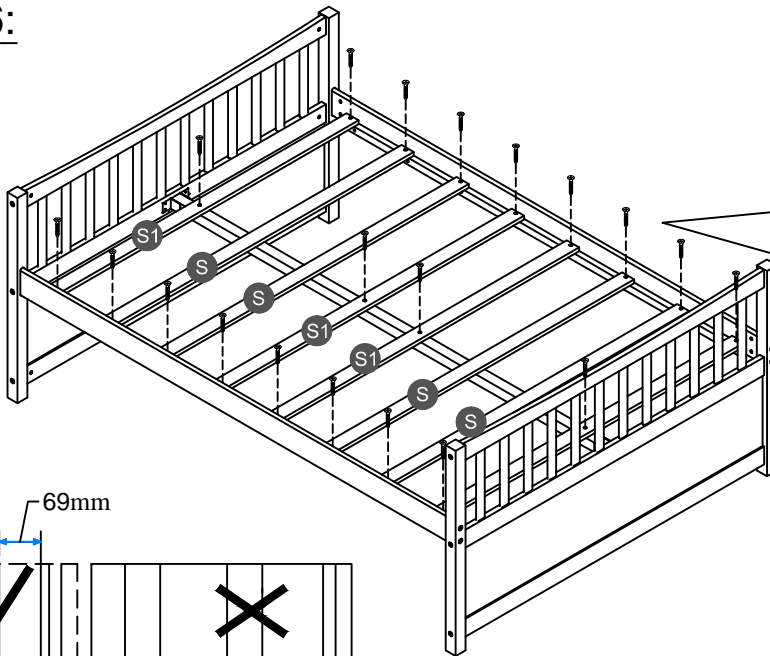
STEP 5:

| | |
|---|---|
| 16 | 17 |
|  |  |
| 2PCS | 2PCS |





STEP 6:

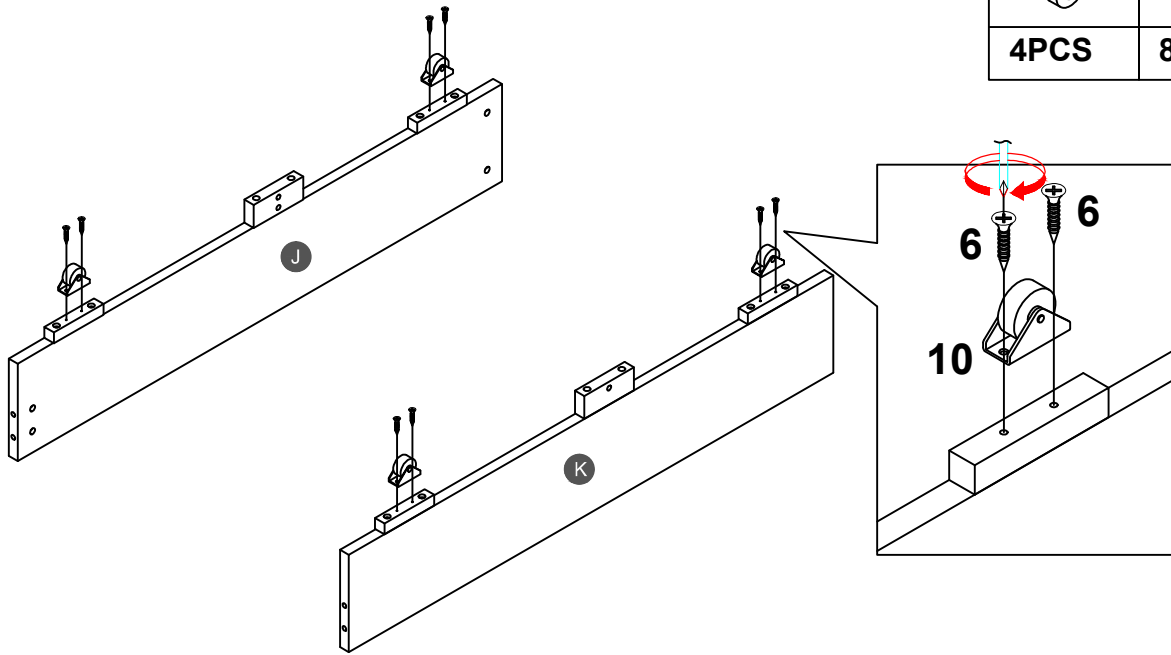
| |
|---|
| 13 |
|  |
| 20PCS |






Note: Do not lock the screws of the bed slats to the outermost edge of the bed slats, you need to leave a certain space at the edges, otherwise it will cause the board to break. Do not lock the bed slats on the edge of the wood, please hold firmly before screwing, hold it in place with one hand, then lock the screw.

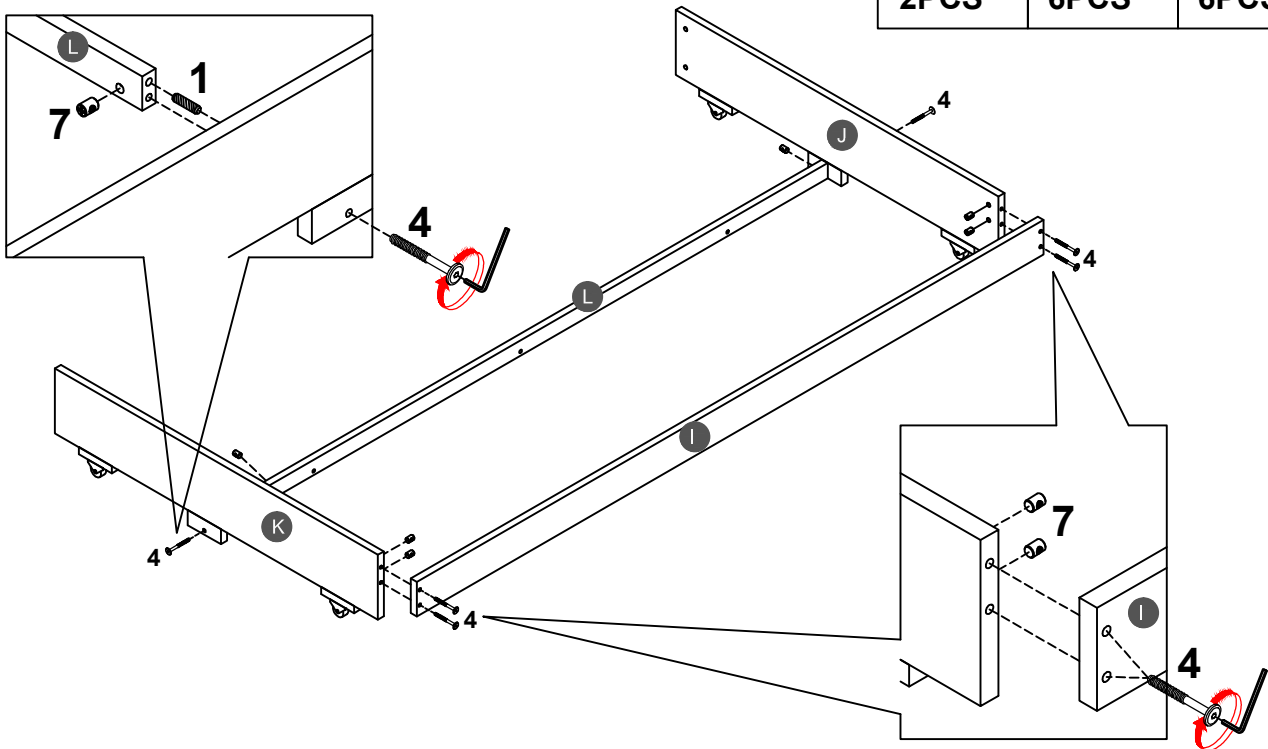
STEP 7:

| | |
|---|---|
| 10 | 6 |
|  |  |
| 4PCS | 8PCS |





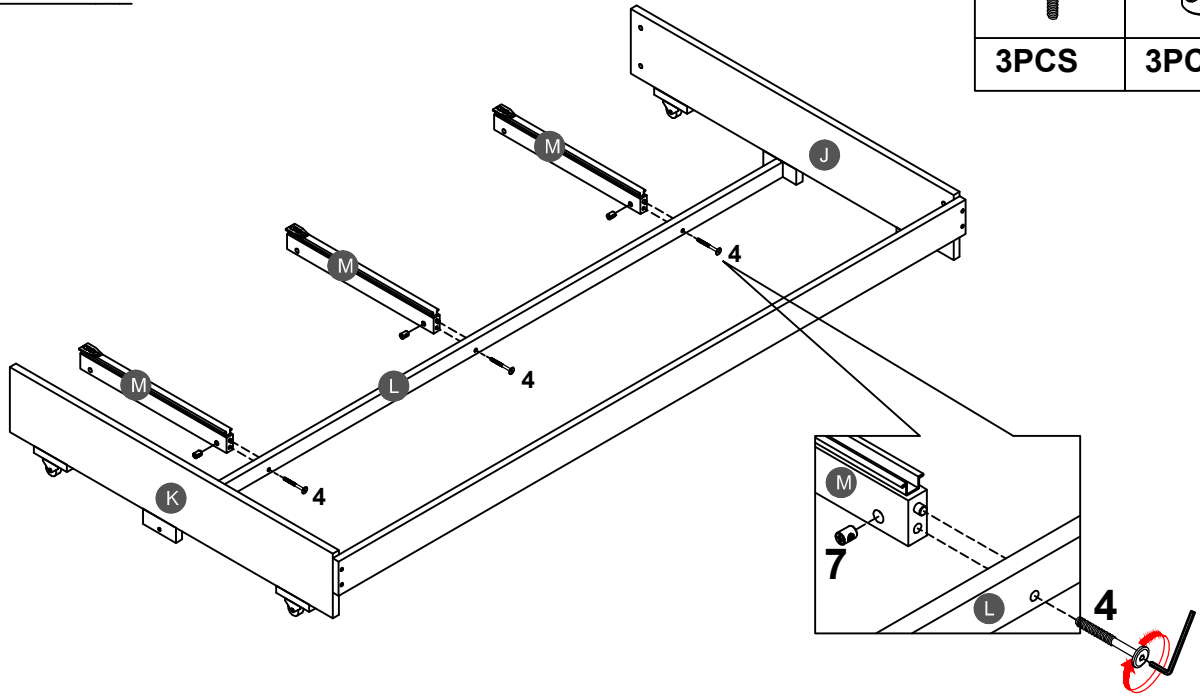
STEP 8:

| | | |
|---|---|---|
| 1 | 4 | 7 |
|  |  |  |
| 2PCS | 6PCS | 6PCS |





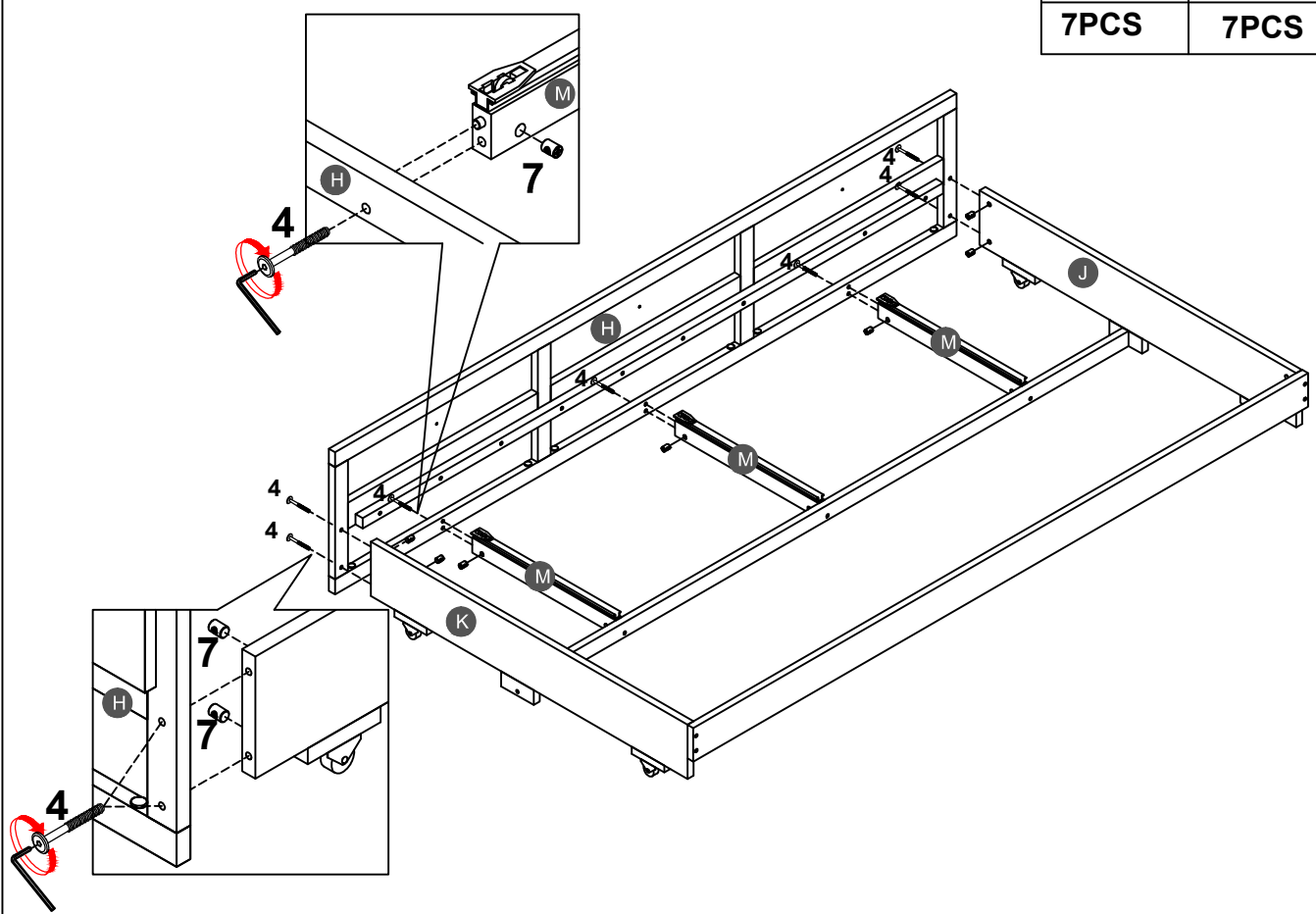
STEP 9:

| | | | |
|-------------|---|-------------|---|
| 4 |  | 7 |  |
| 3PCS | | 3PCS | |




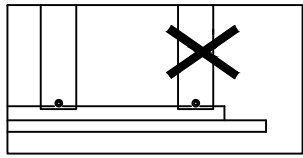
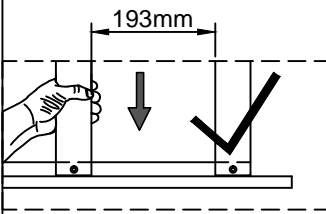
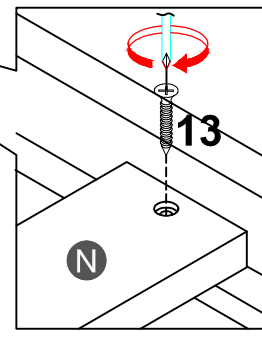
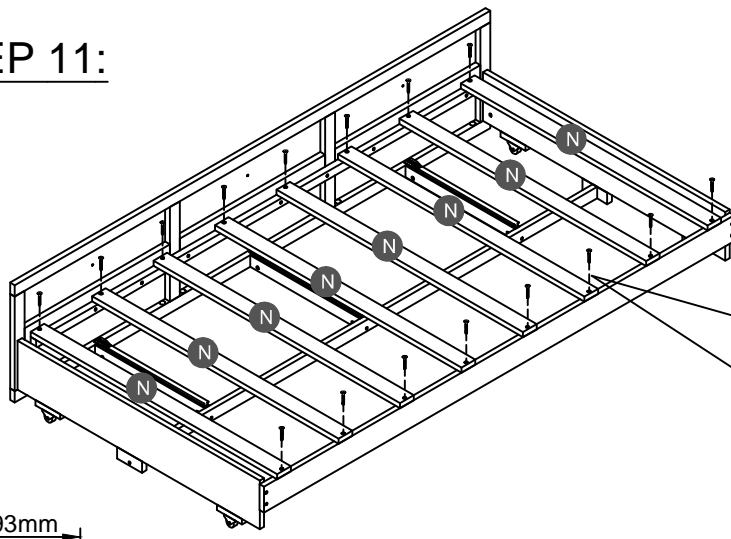
STEP 10:

| | | | |
|-------------|---|-------------|---|
| 4 |  | 7 |  |
| 7PCS | | 7PCS | |






STEP 11:

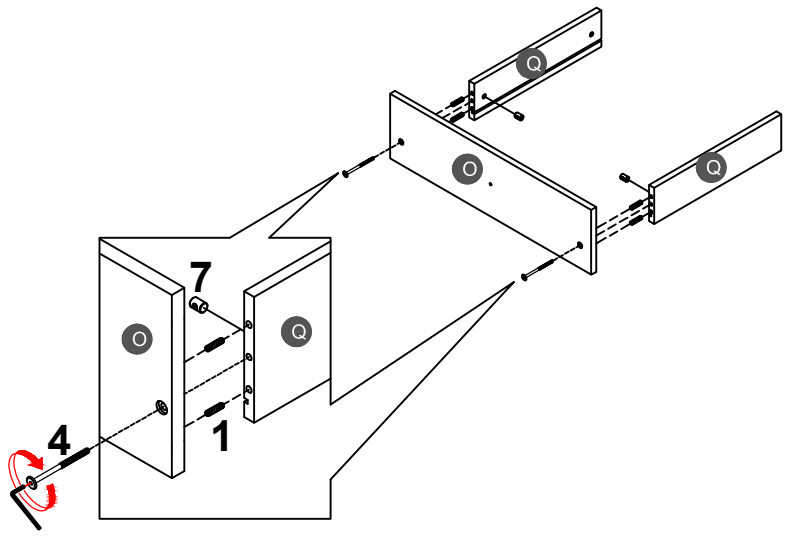
| | |
|--------------|---|
| 13 |  |
| 16PCS | |



Note: Do not lock the screws of the bed slats to the outermost edge of the bed slats, you need to leave a certain space at the edges, otherwise it will cause the board to break. Do not lock the bed slats on the edge of the wood, please hold firmly before screwing, hold it in place with one hand, then lock the screw.




STEP 12:

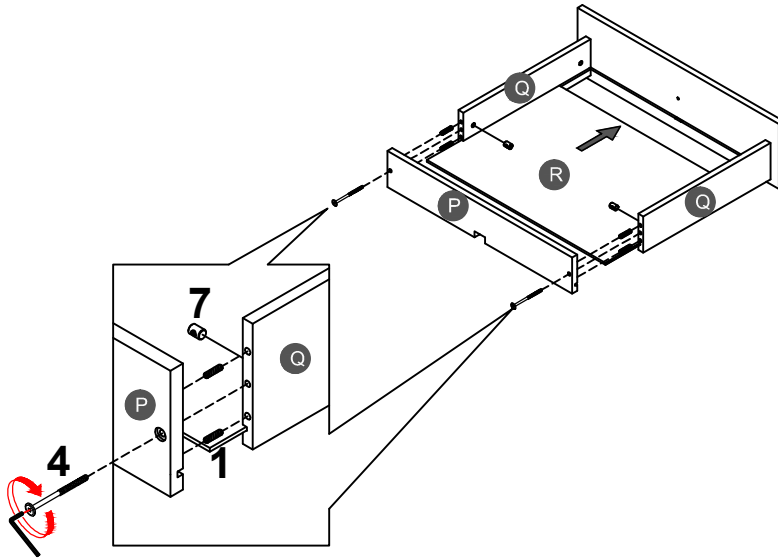
| | | | | | |
|--------------|---|-------------|---|-------------|---|
| 1 |  | 4 |  | 7 |  |
| 12PCS | | 6PCS | | 6PCS | |



x 3



STEP 13:

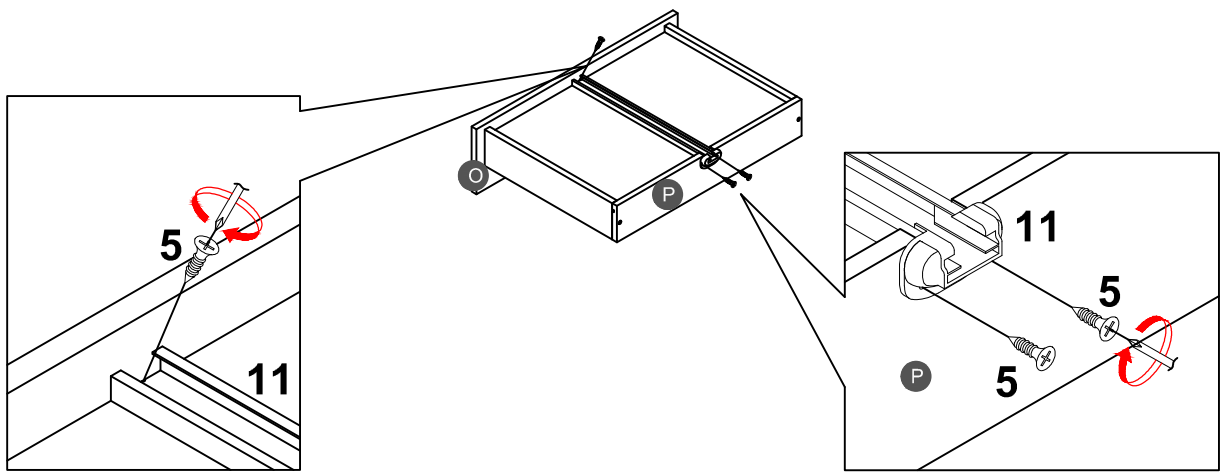
| | | | | | |
|--------------|---|-------------|---|-------------|---|
| 1 |  | 4 |  | 7 |  |
| 12PCS | | 6PCS | | 6PCS | |



x 3

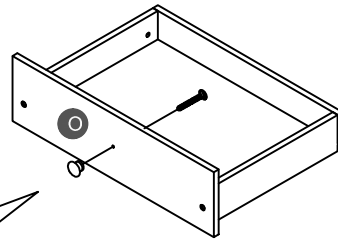
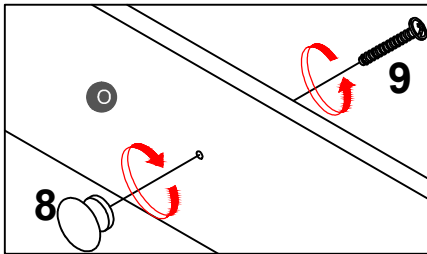
STEP 14:

| | | | |
|-------------|---|-------------|---|
| 11 |  | 5 |  |
| 3PCS | | 9PCS | |



x 3

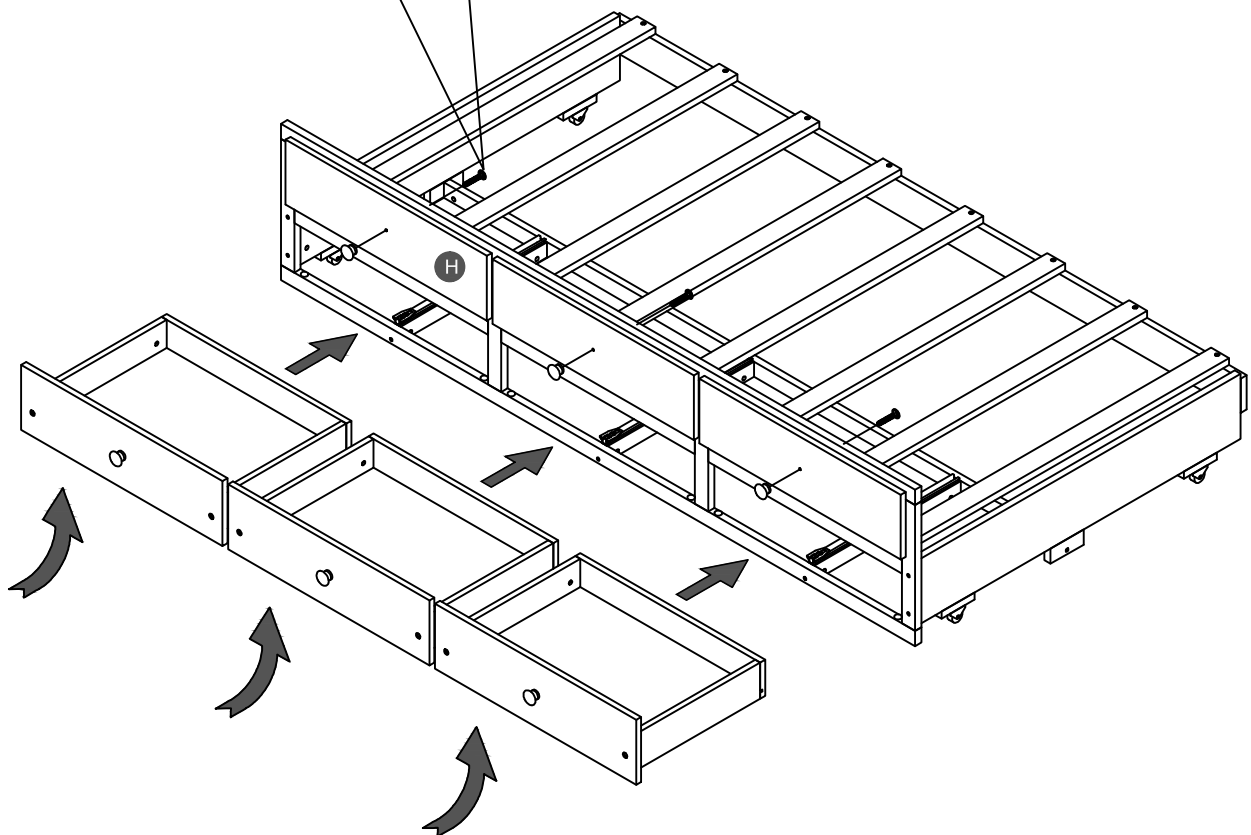
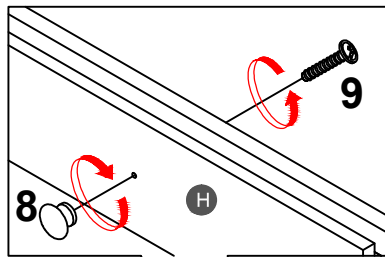
STEP 15:



x 3

| | |
|------|------|
| 8 | 9 |
| | |
| 3PCS | 3PCS |

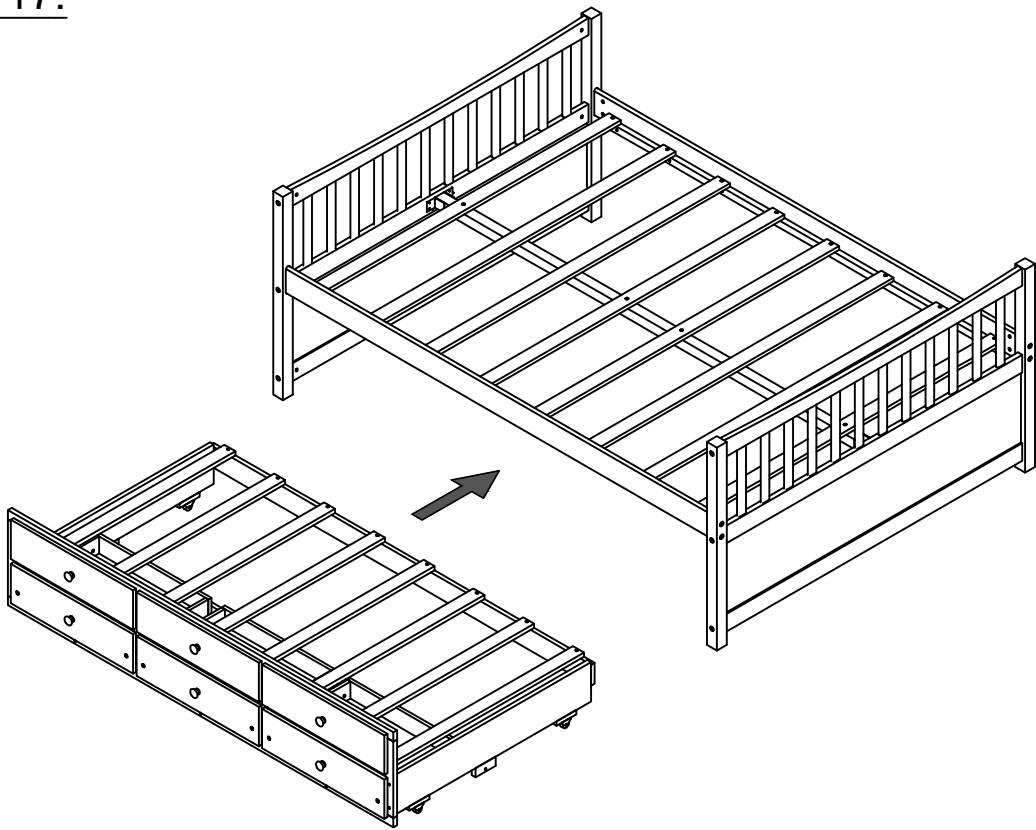
STEP 16:



| | |
|------|------|
| 8 | 9 |
| | |
| 3PCS | 3PCS |

Remark: When opening or closing the drawer, Please lift the drawer slightly before opening or closing it.

STEP 17:



Push Trundle under the bottom of Twin bed.

