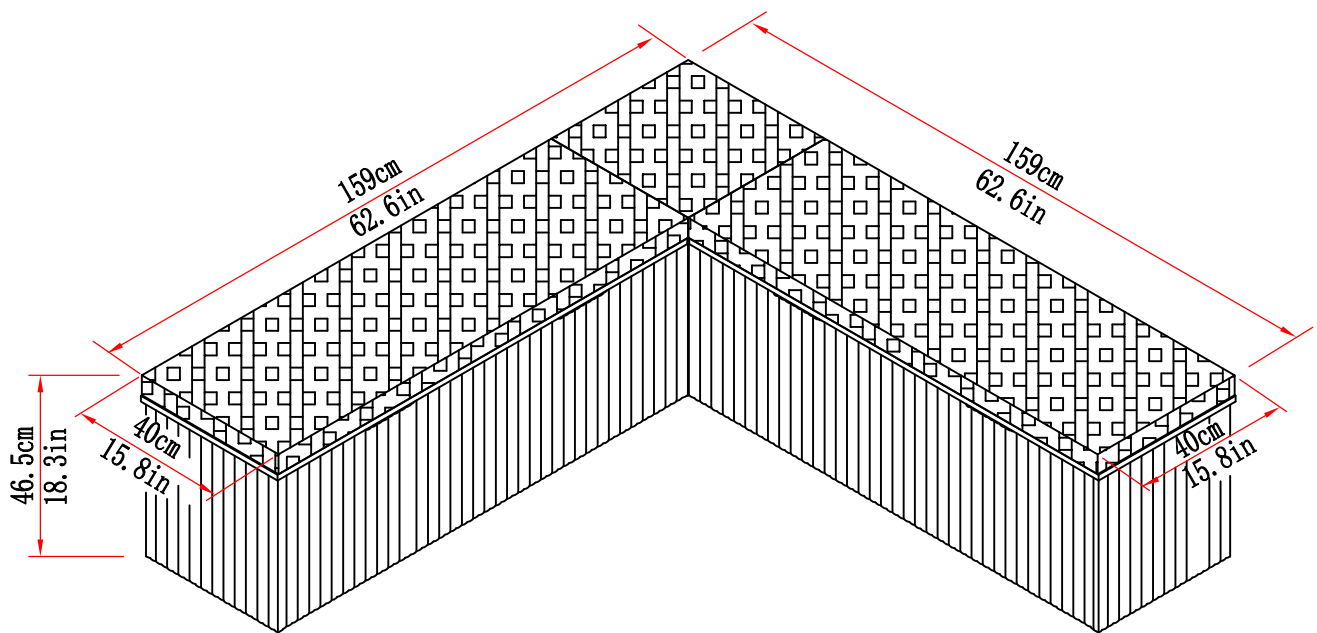


# Installation & Assembly



## **IMPORTANT INFORMATION!**

•please read the entire manual before starting to assemble and/or using this product. follow the manual thoroughly and keep it for further reference.

## **AVOID SCRATCHES!**

•In order to avoid scratching this furniture should be assembled on a soft layer-could be a rug.

## **IMPROVE EFFICIENCY !**

•Try to find a partner to install with you, which can speed up the installation efficiency and shorten the time.

## **IMPORTANT !**

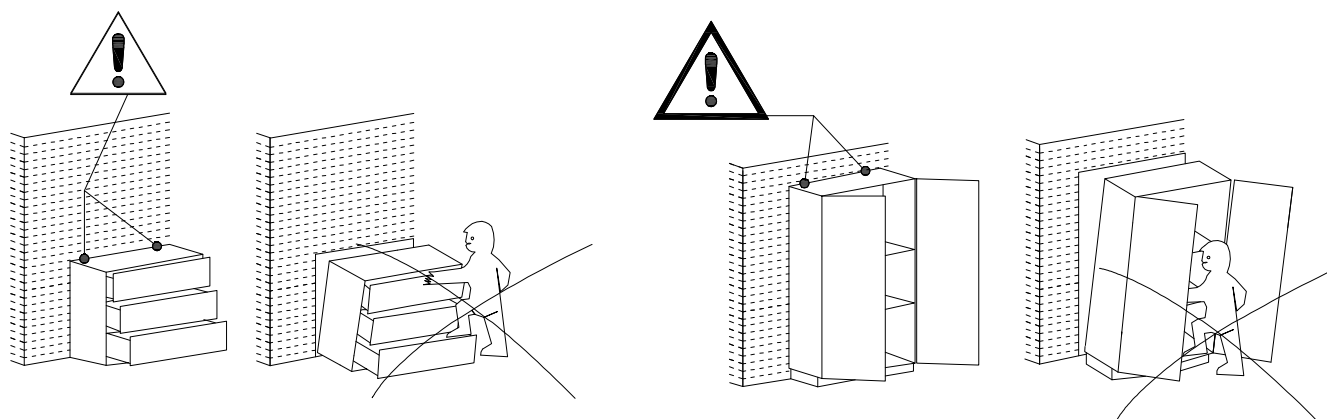
•It is important that any product which is assembled using any kind of screw is re-tightened 2 weeks after assembly, and once every 3 months - in order to assure stability through-out the lifespan of the product.

•For regular maintenance and cleaning of the product, for the frame, please use a rag dipped in neutral detergent to fully wipe it, and then dry it with a clean rag. For glass materials, wipe with a rag dampened with water glass cleaner, and then dry with a dry rag.

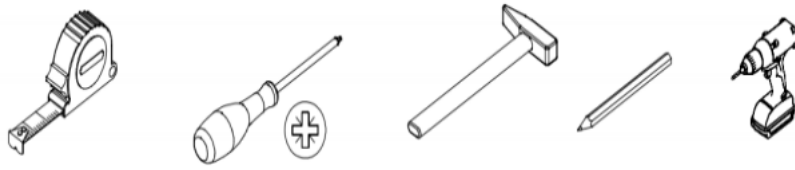
•Do not use an electric screwdriver, and do not use too much force when installing, because the board is easy to break.

## **ANTI-TOPPLE WARNING !**

Overtured furniture can cause serious or fatal crush injuries. To prevent tipping over, be sure to use the wall attachment, if not included with this product. Please purchase the wall attachment that fit your wall. If unsure, seek professional advice. Please read and follow each step of the instructions carefully.



Please prepare the following tools



**Installation Notes:**

The furniture is large and heavy, please choose a good placement before installation. After all the installation is completed, try not to move widely, if necessary, please more than one person to cooperate to carry out.

Please note: After the overall installation is completed, such as vigorous dragging, or brute force to help carry, may cause irreversible damage to the object connection position or plate, the occurrence of cracks, affecting the use and appearance.

The assembly must be done by two people.

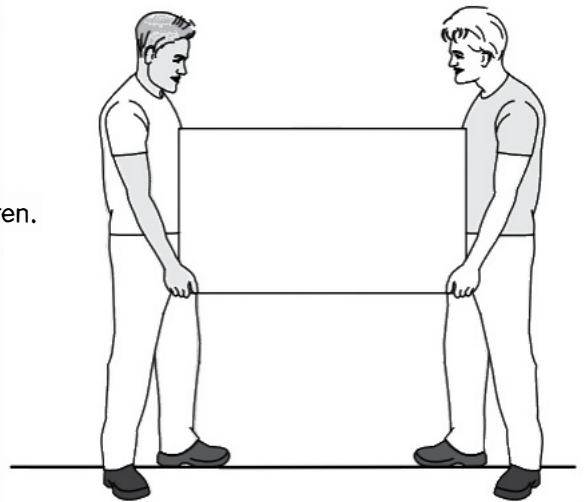
L'assemblage doit être effectué par deux personnes.

Es wird empfohlen, dass zwei Personen den Artikel montieren.

El montaje debe ser efectuado por dos personas.

A montagem deve ser efetuada por duas pessoas.

Il montaggio deve essere effettuato da due persone.



This product contain small parts, please, keep out of reach of children.

Ce produit contient de petites pièces, s'il vous plait, à conserver hors de portée des enfants.

Bitte halten Sie kleine Teile außerhalb der Reichweite von Kindern.

Este producto contiene piezas pequeñas, mantener fuera del alcance de los niños.

Este produto contém peças pequenas, por favor, mantenha fora do alcance das crianças.

Questo prodotto contiene piccole parti, si prega di tenerle fuori dalla portata dei bambini.

**REAL SIZE- TAILLE RÉELLE - ORIGINALGRÖÖE - TAMAÑO VERDADERO - TAMANHO REAL- DIMENSIONE REALE**

In case of doubt, compare the hardware with the full-size images below.

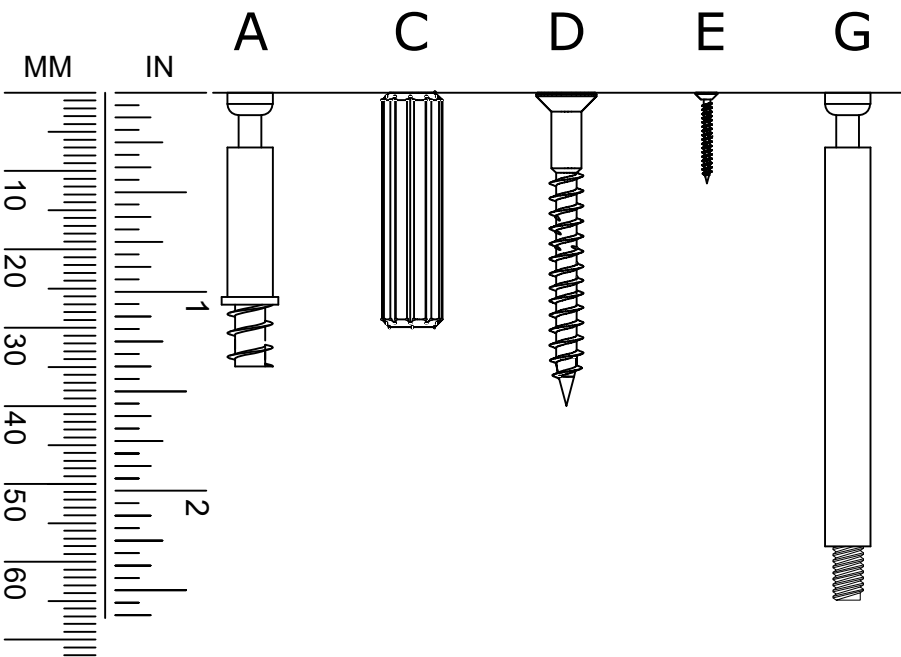
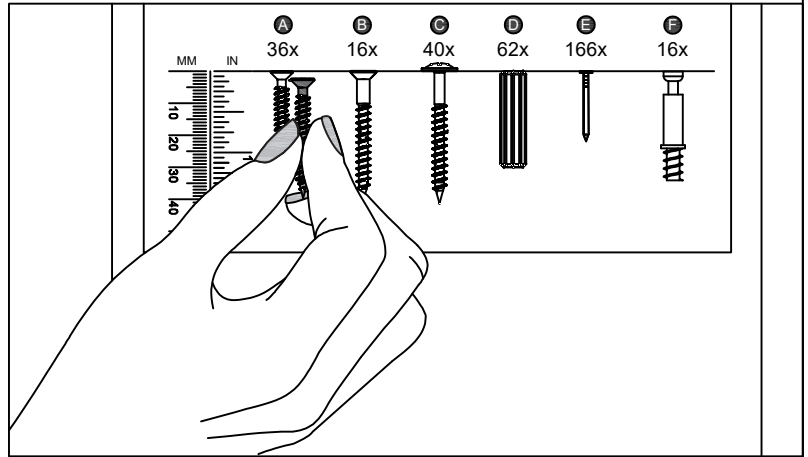
En cas de doute, veuillez comparer le matériel avec les images en taille réelle ci-dessous.

Vergleichen Sie im Zweifelsfall die Schrauben mit den Abbildungen in Originalgröße.

En caso de dudas, compare las herrajes con las imágenes a seguir en tamaño real.

Em caso de dúvida, compare as ferragens com as imagens abaixo em tamanho real.

In caso di dubbio, confronta le ferramenta con le immagini sottostanti a grandezza reale.



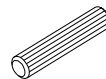
A x 14

B x 16

C x 30

D x 28

E x 30



CRA0635A

CRB1595A

CRF0830A

CRD0540A

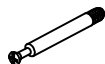
CRD3512A

F x 6

G x 2

H x 2

J x 7

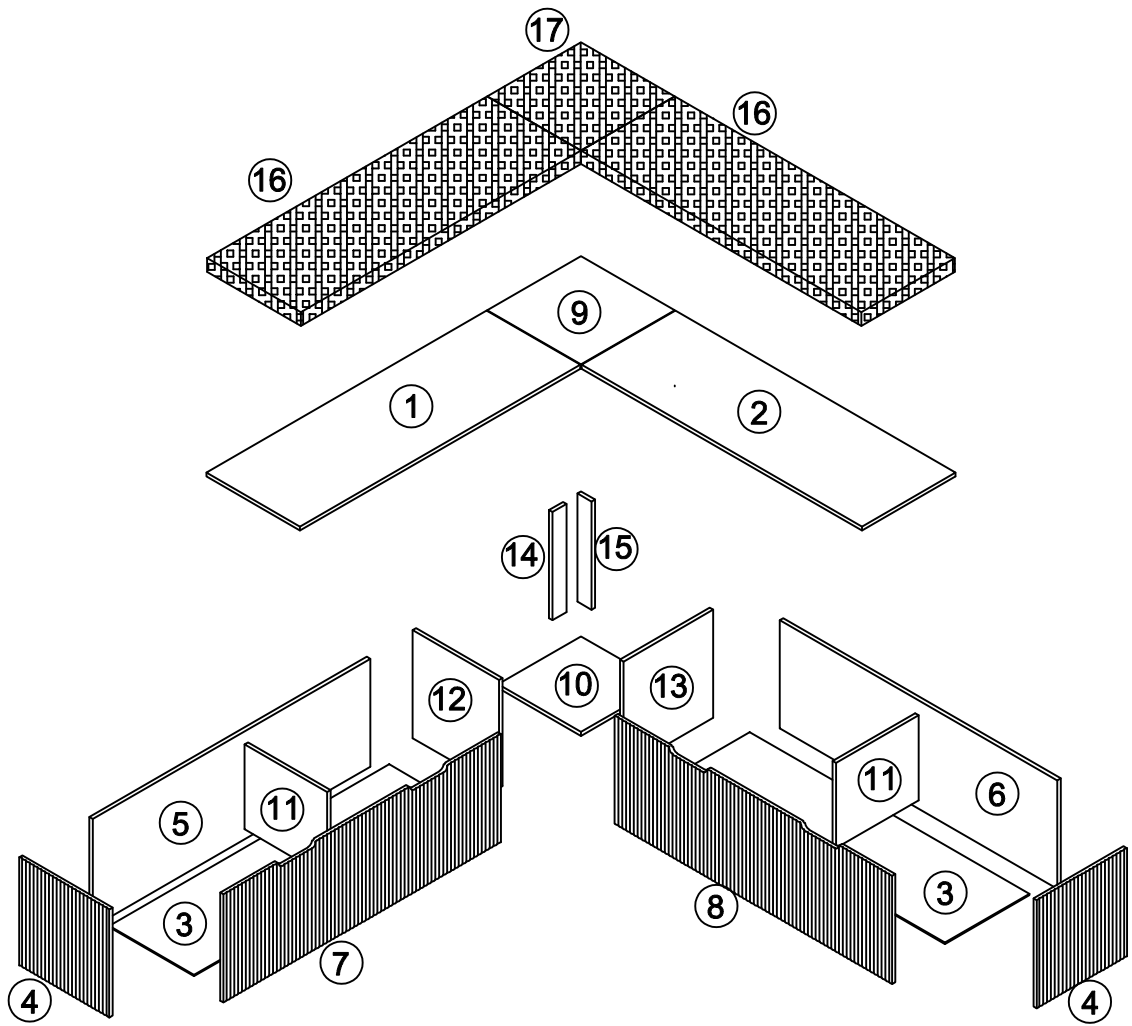


QGHY-24082401

CRA0665A

LM-9810-1

MST-24080901



**ATTENTION - AVERTISSEMENT - ACHTUNG - ATENCIÓN - ATENÇÃO - ATTENZIONE**

Assemble the furniture on a clean and flat surface and cover it with the cardboard of the packaging.

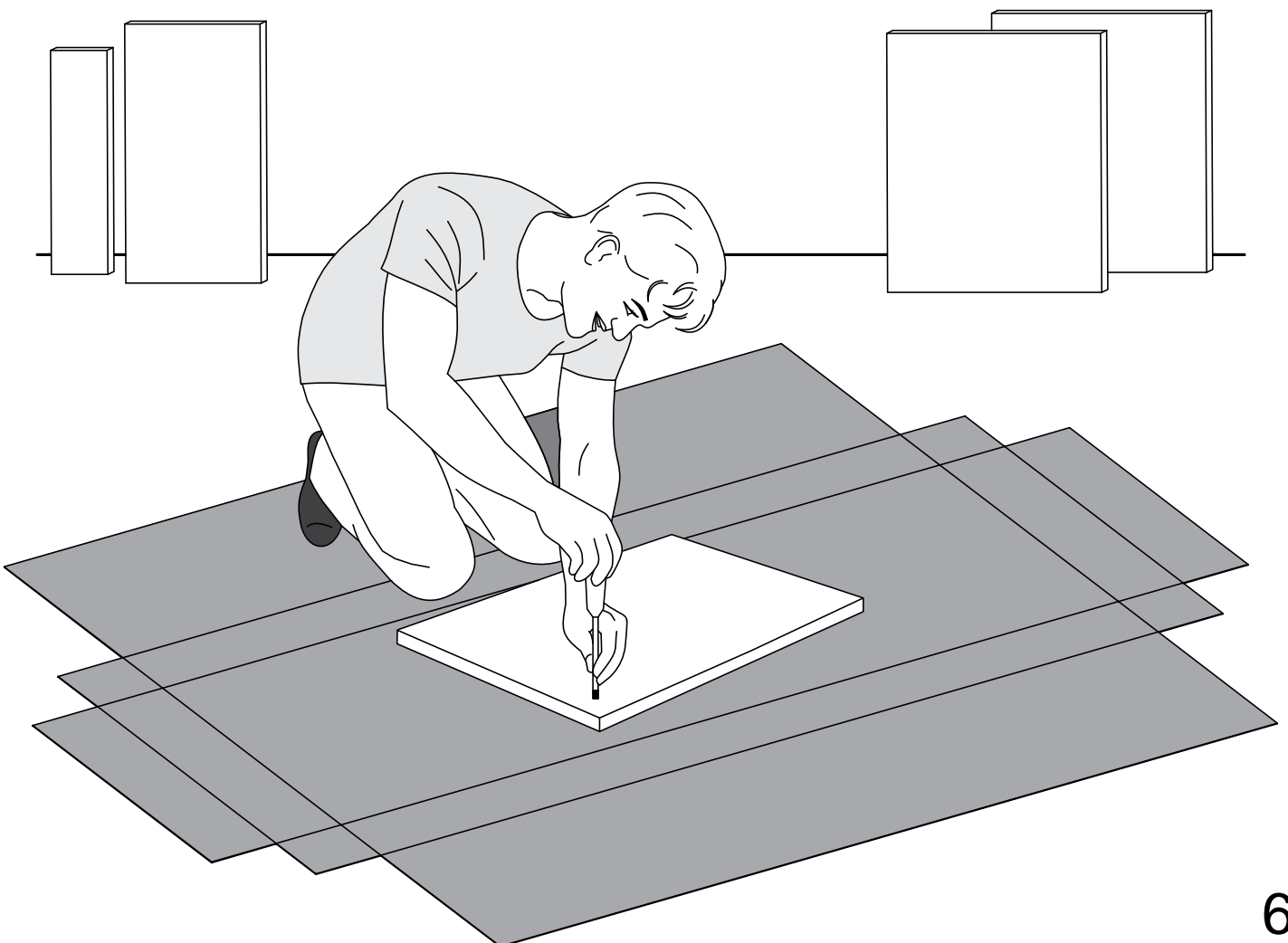
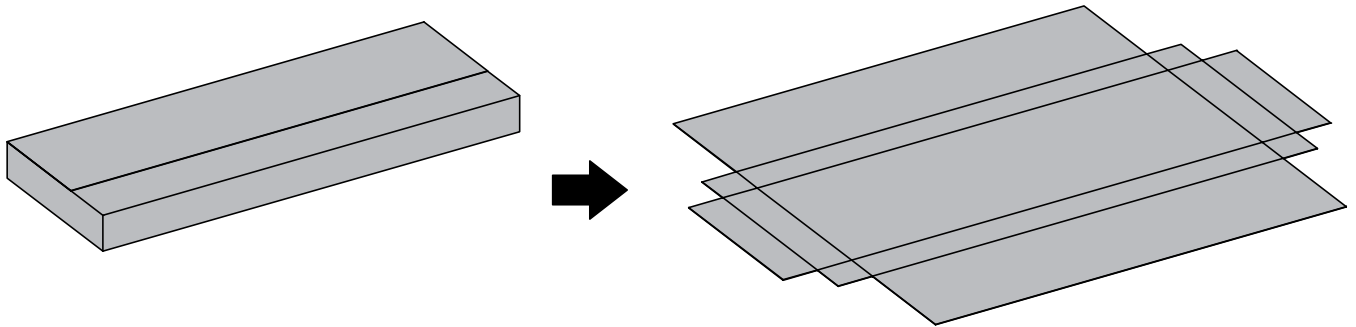
Assemblez le meuble sur une surface propre et plane et couvrez-le avec le carton de l'emballage du produit.

Um Beschädigungen zu vermeiden, montieren Sie den Artikel auf einer weichen, sauberen Unterlage.  
Tipp: Legen Sie den Artikel auf dem Verpackungskarton.

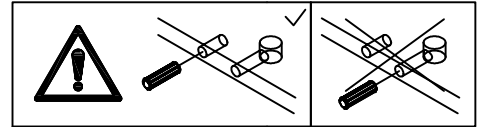
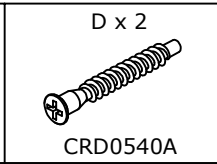
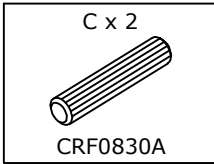
Montar el mueble sobre una superficie limpia y plana y cubrirlo con el cartón del embalaje del producto.

Montar o móvel sobre uma superfície limpa e plana e forrá-la com o papelão da embalagem do produto.

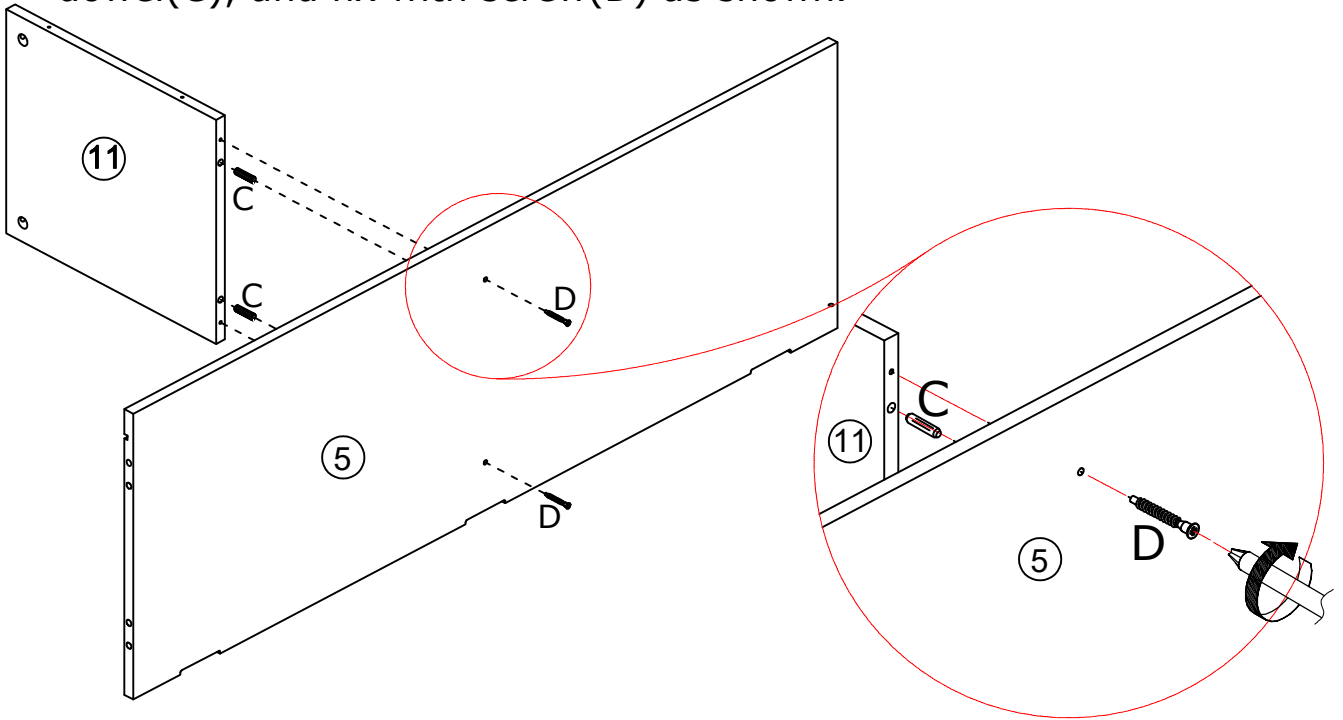
Montare il mobile su una superficie pulita e piana e rivestirla con il cartone d'imballaggio del prodotto.



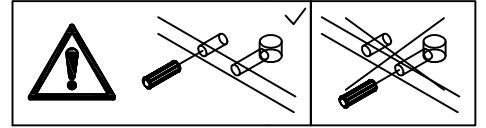
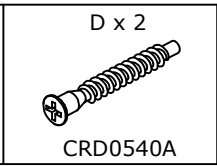
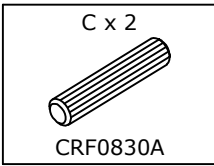
1



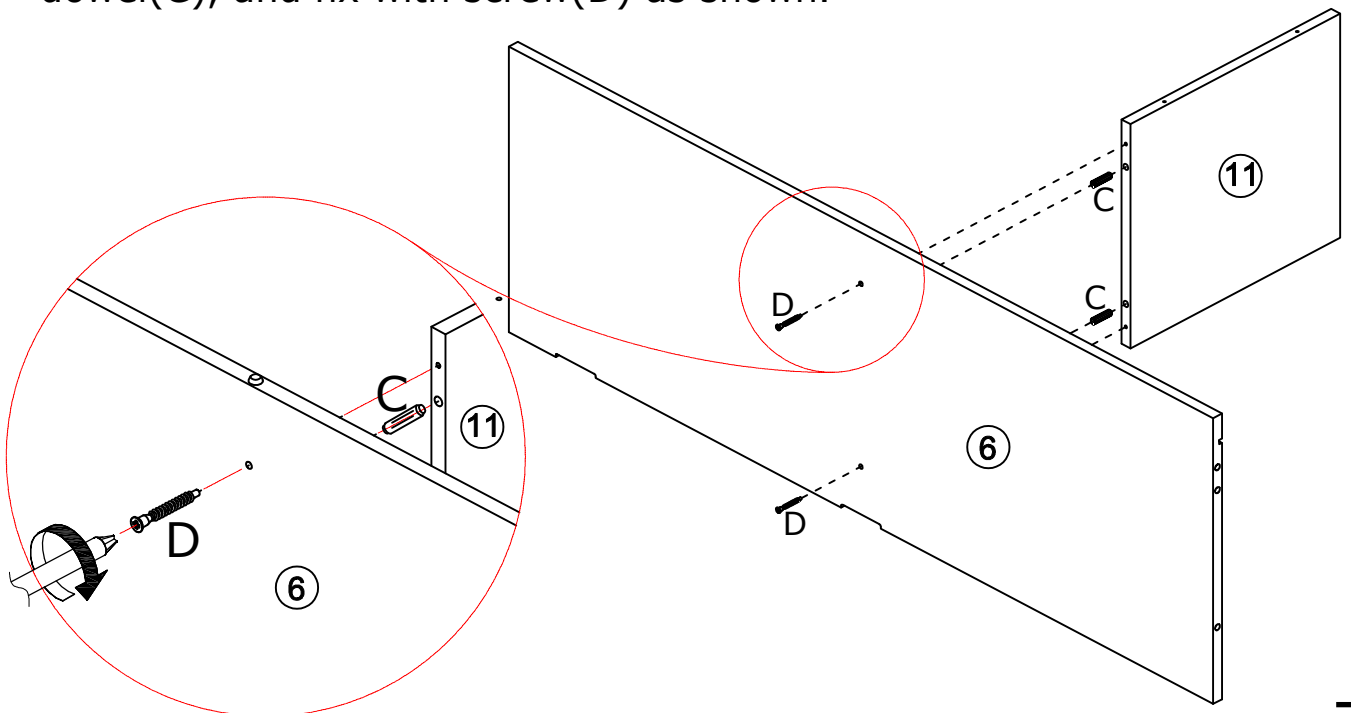
Attach board 11 to board 5 using wooden dowel(C), and fix with screw(D) as shown.



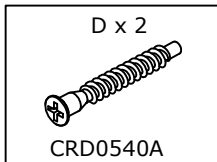
2



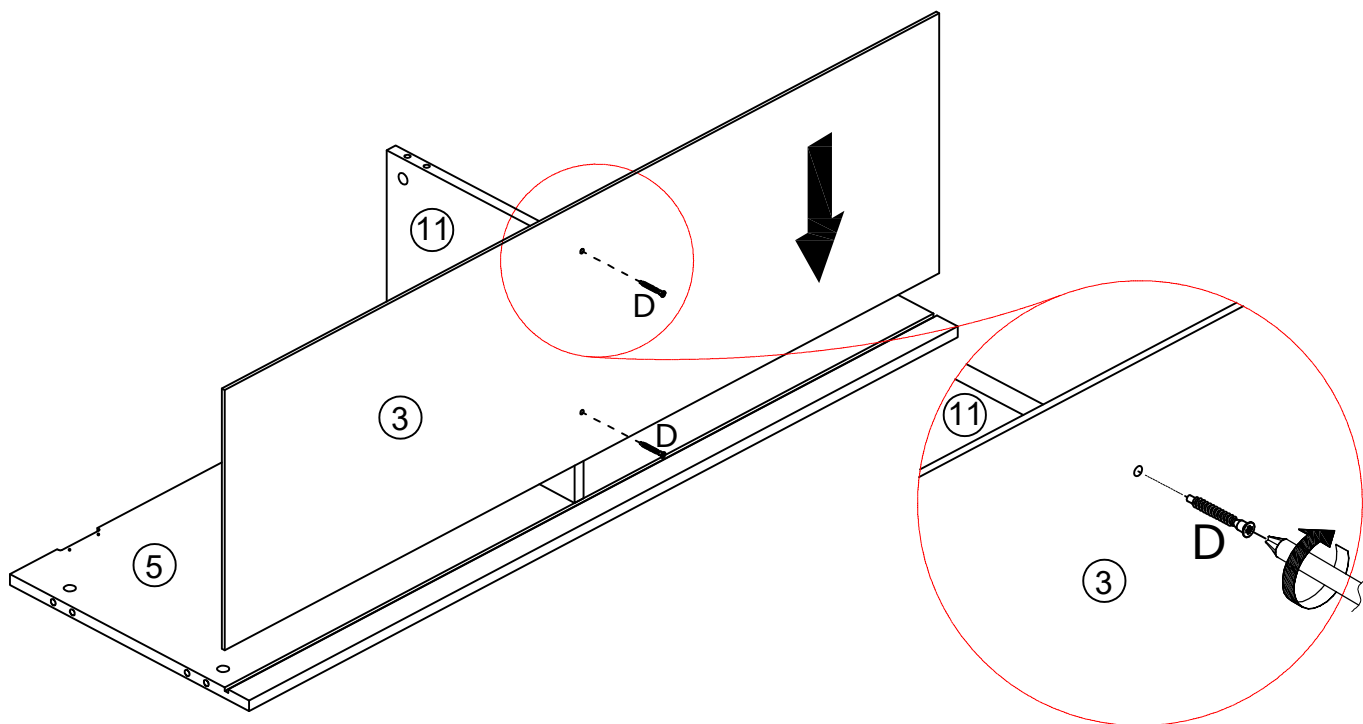
Attach board 11 to board 6 using wooden dowel(C), and fix with screw(D) as shown.



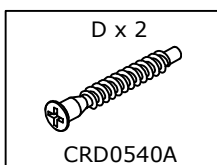
3



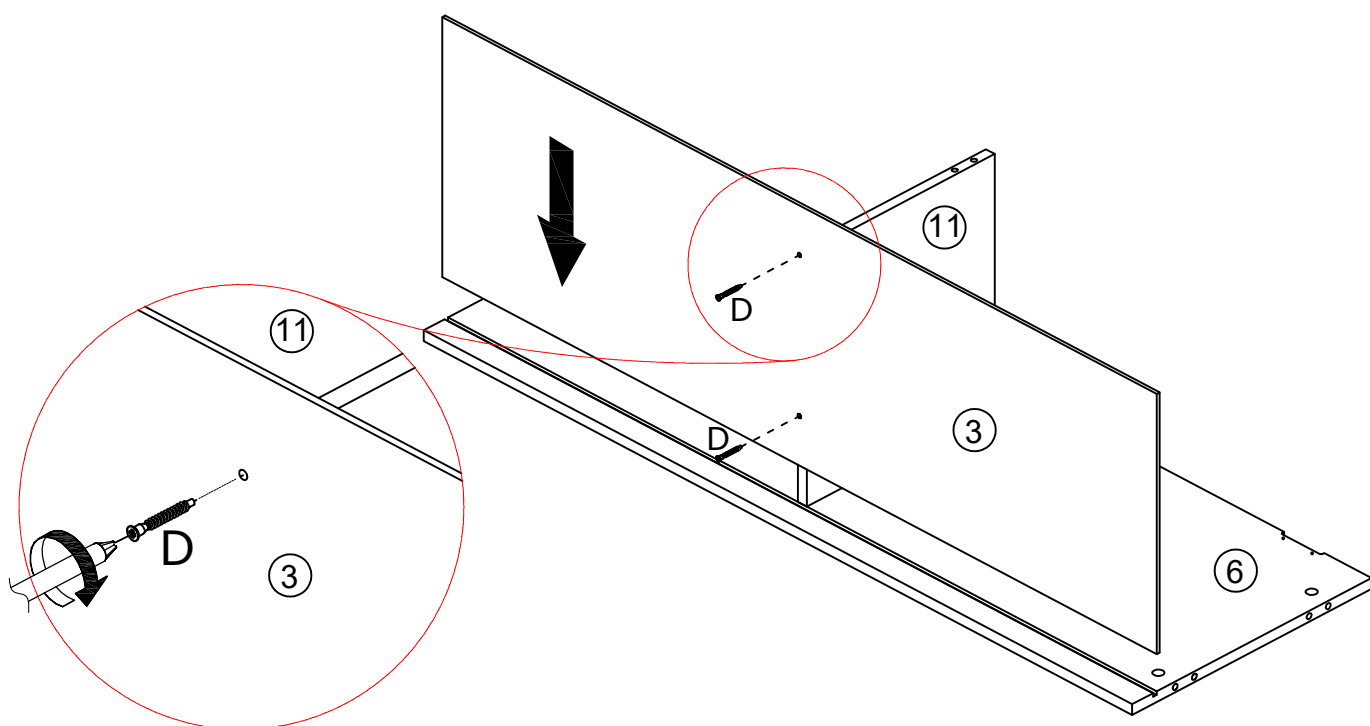
Fix board 3 to board 11 with screw(D) as shown.



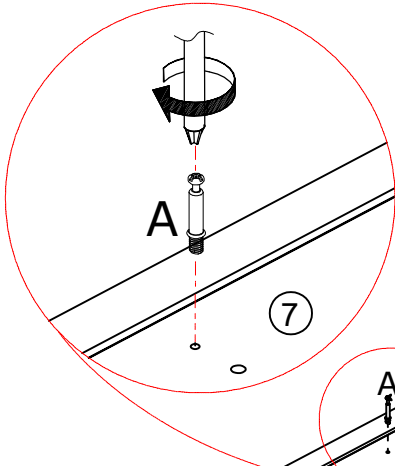
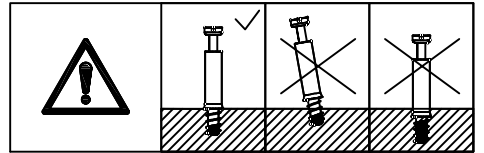
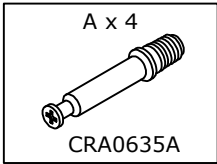
4



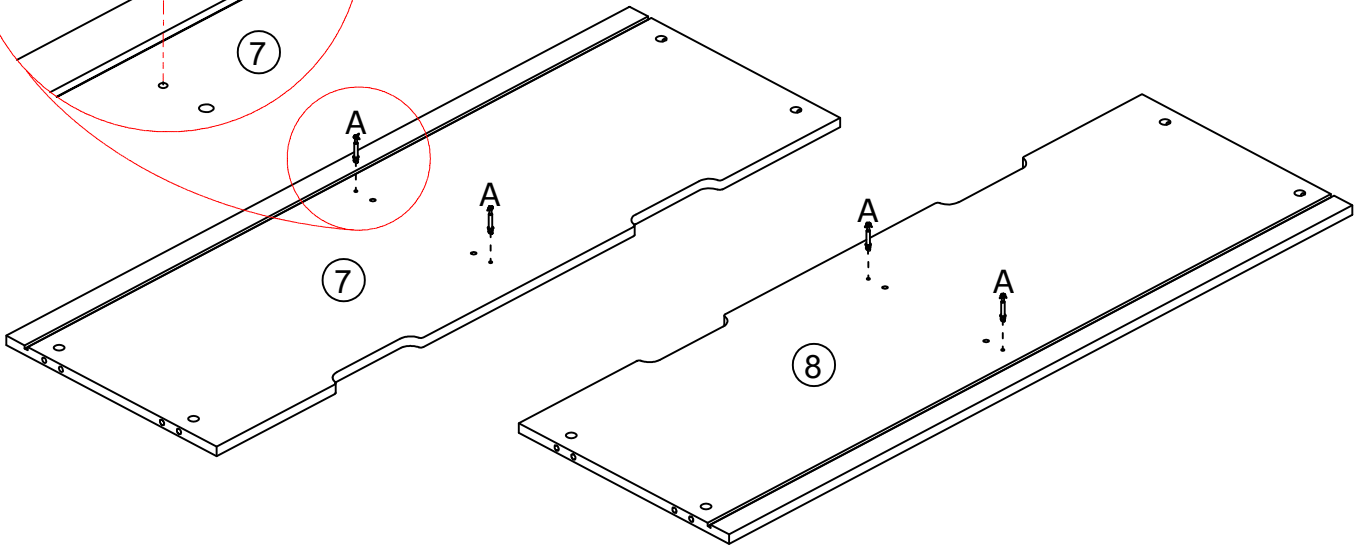
Fix board 3 to board 11 with screw(D) as shown.



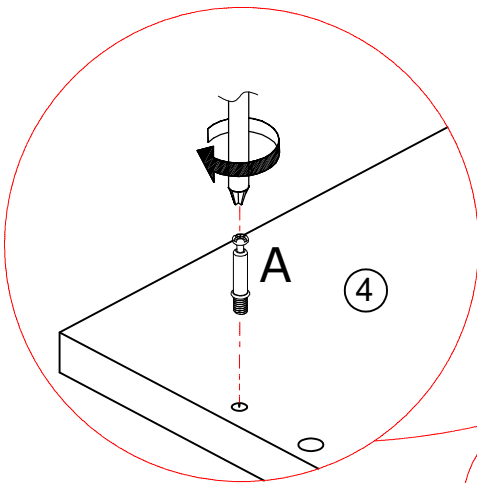
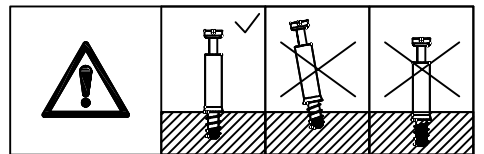
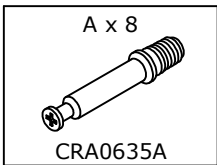
5



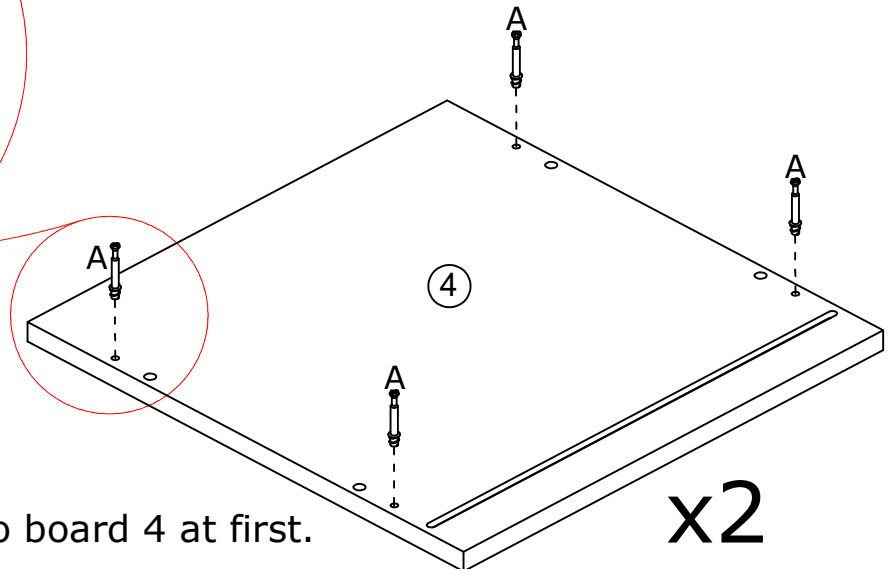
Screw eccentric rod(A) into board 7 and 8 at first.



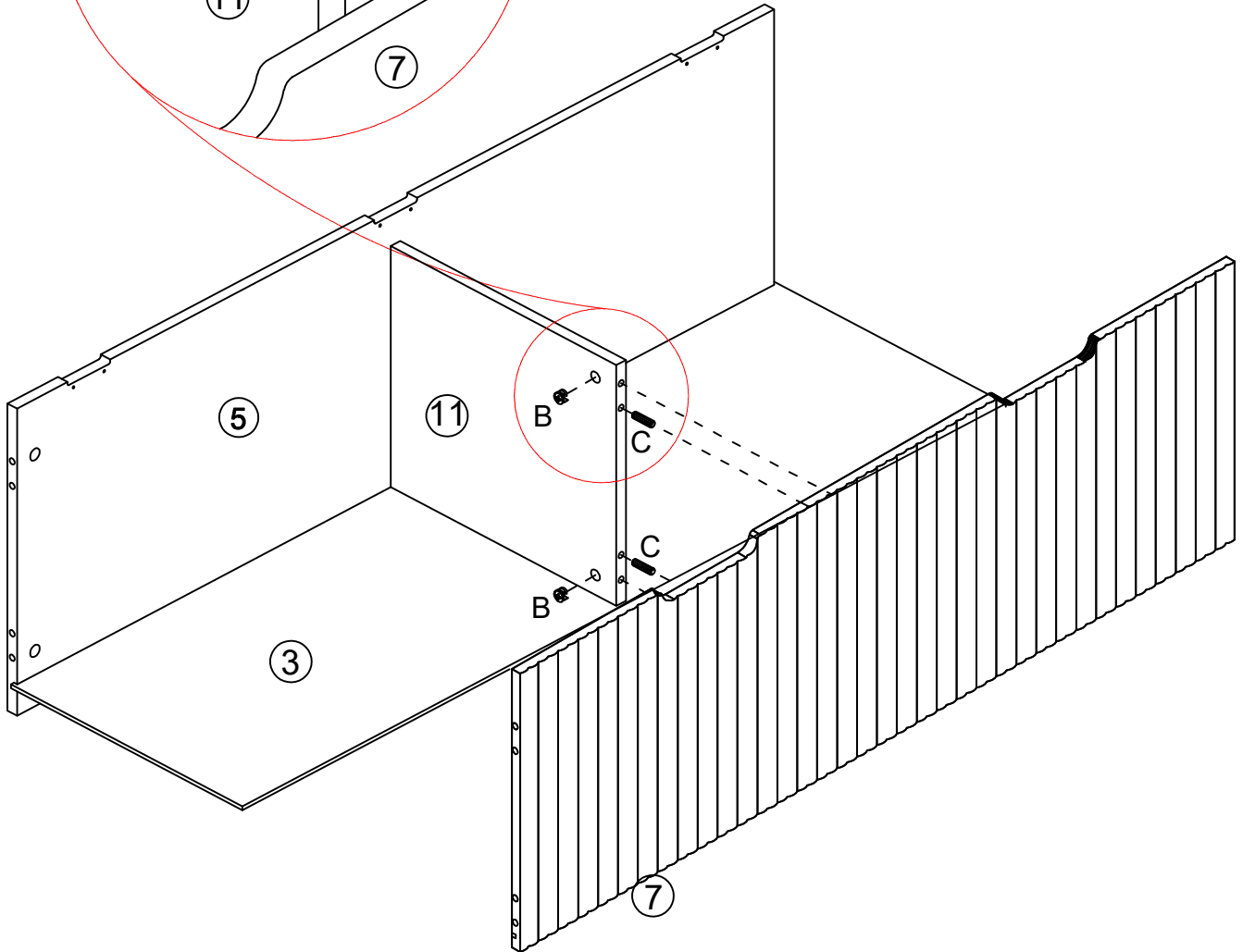
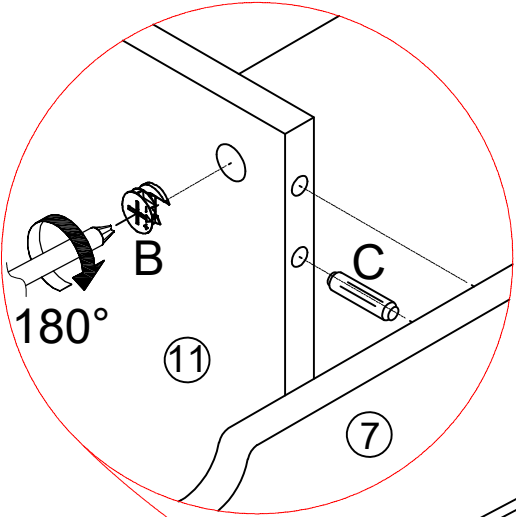
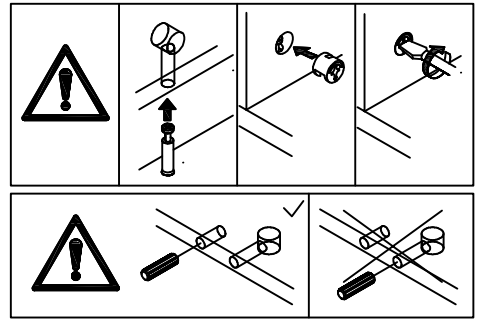
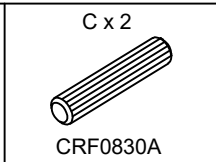
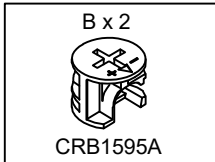
6



Screw eccentric rod(A) into board 4 at first.

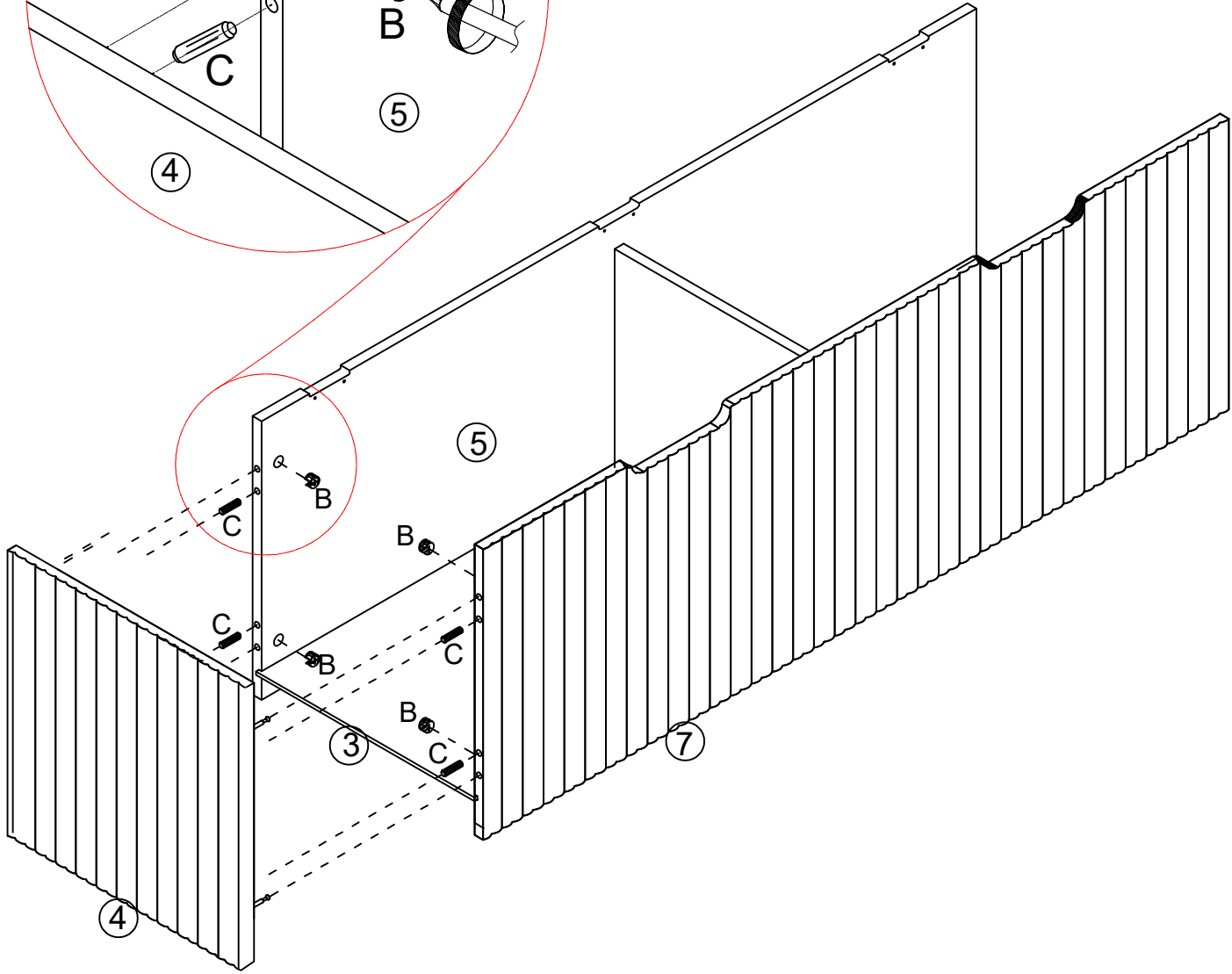
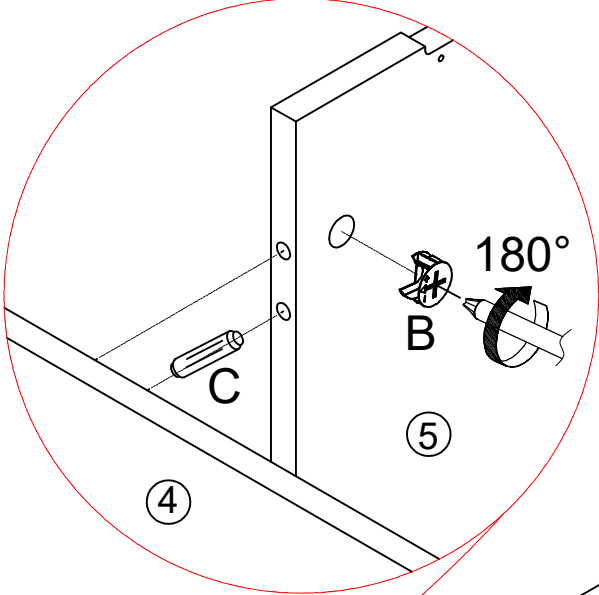
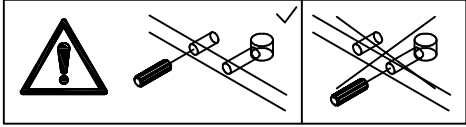
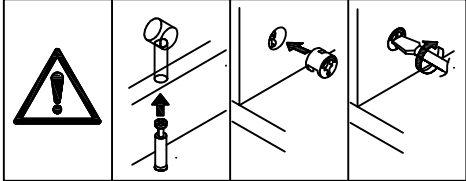
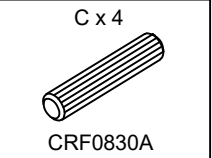
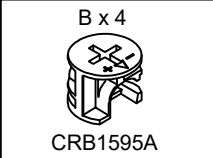


7



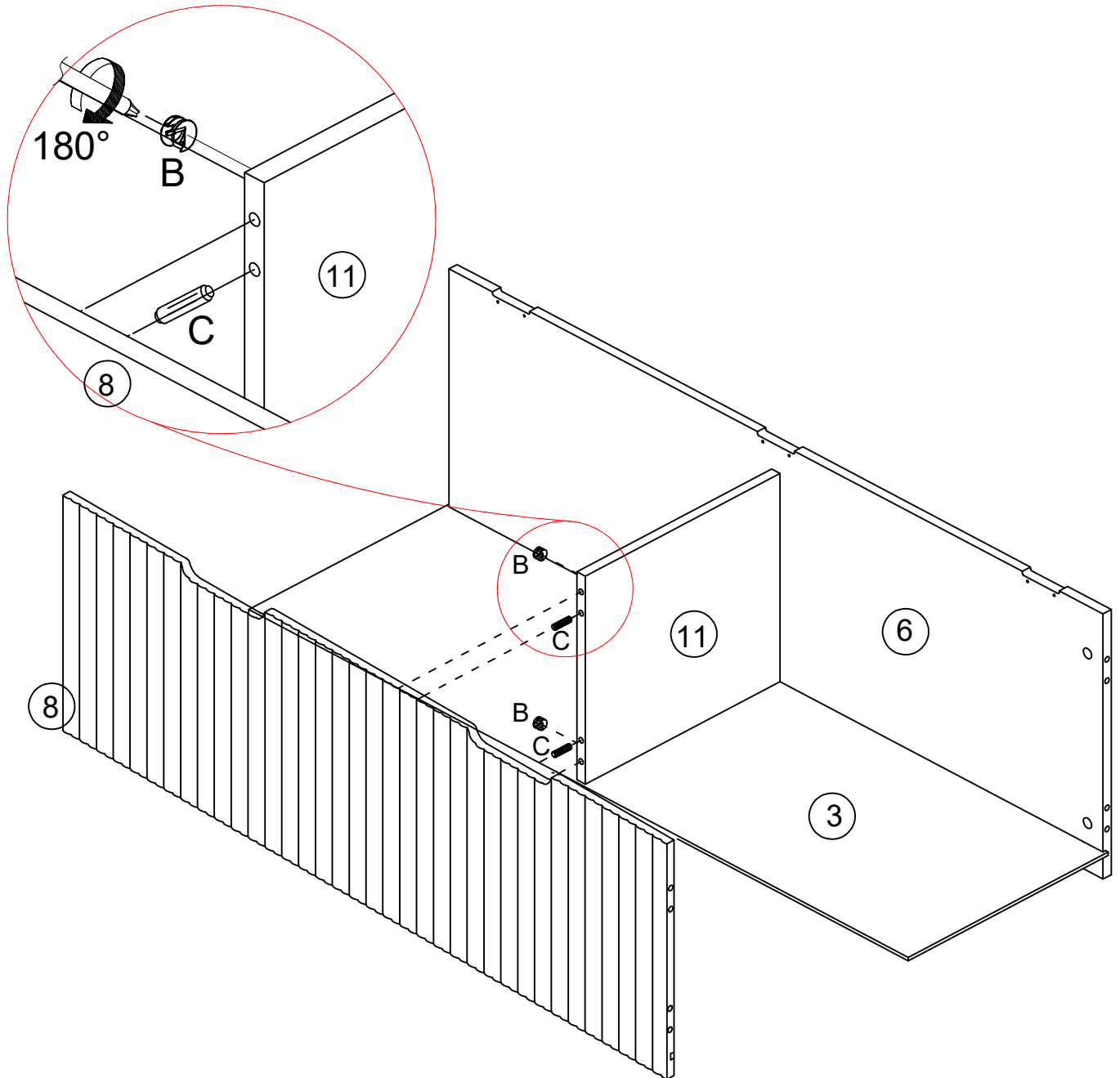
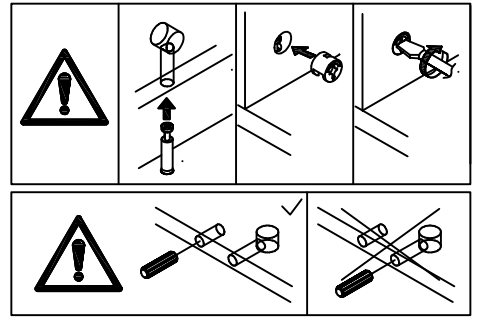
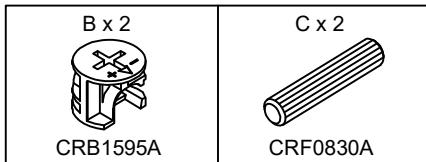
Attach board 7 to board 11 using wooden dowel(C), add cam lock(B) into board 11 and turn clockwise to tighten as shown.

8



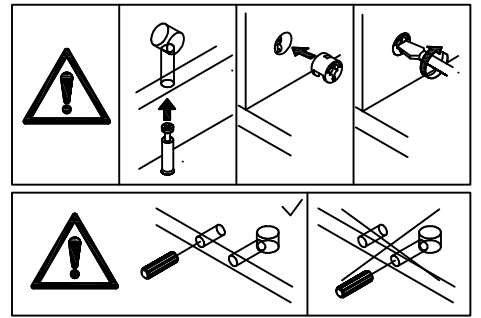
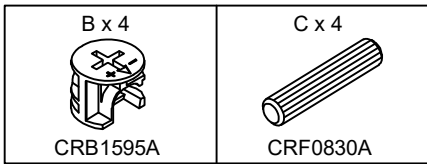
Attach board 4 to board 5 and 7 using wooden dowel(C),  
add cam lock(B) into board 5,7 and turn clockwise to tighten  
as shown.

9

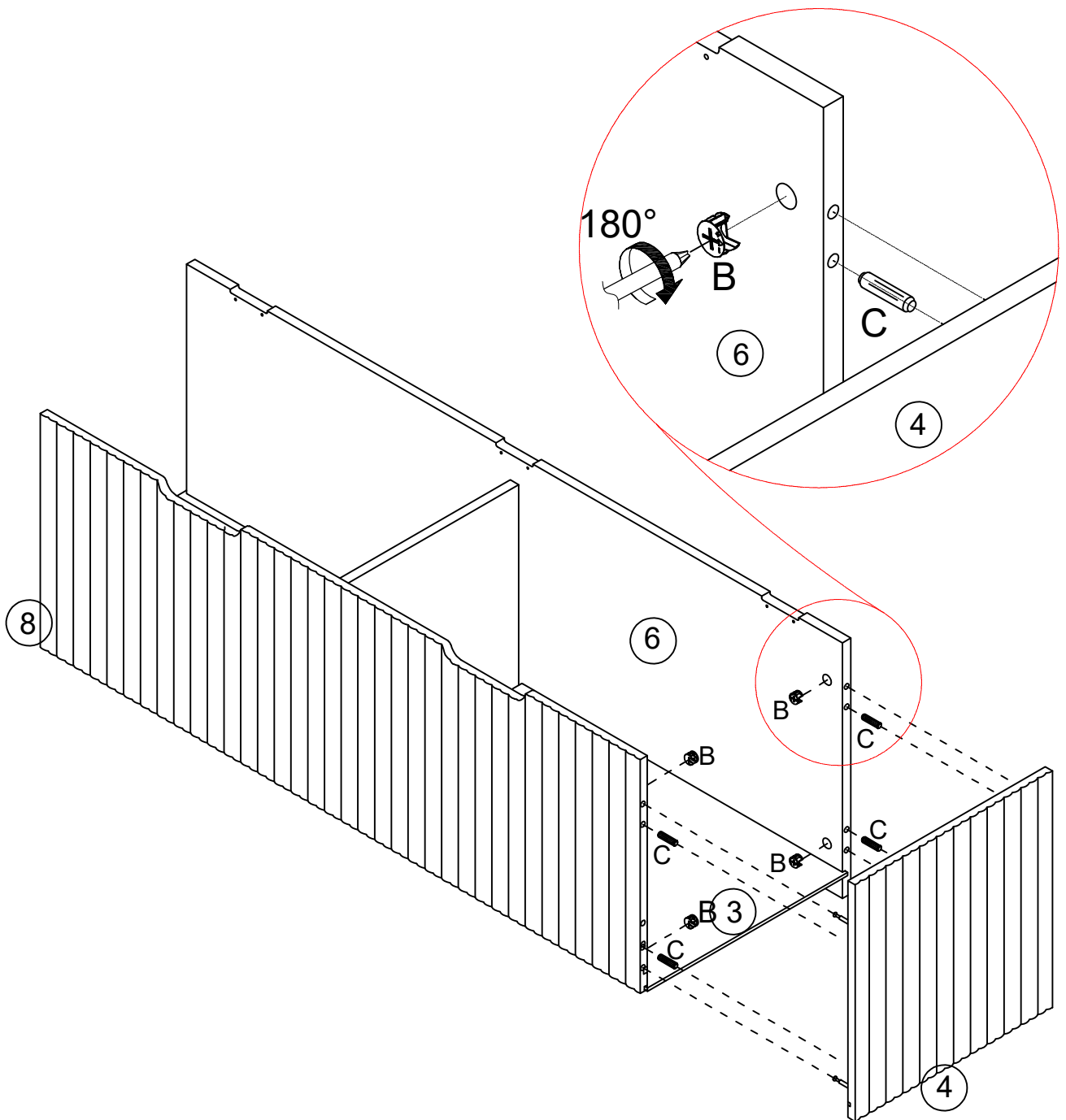


Attach board 8 to board 11 using wooden dowel(C), add cam lock(B) into board 11 and turn clockwise to tighten as shown.

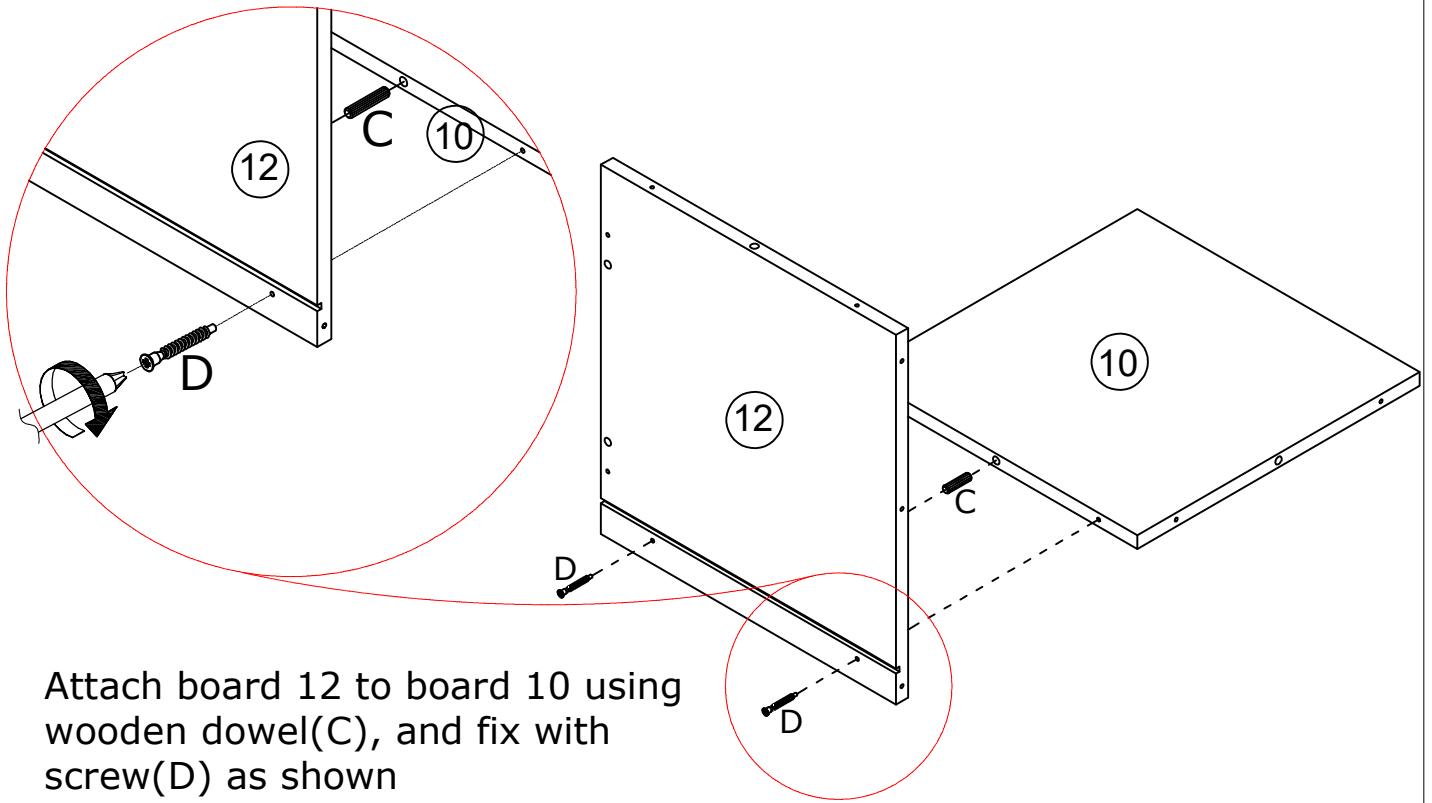
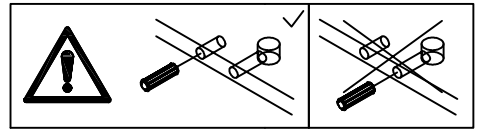
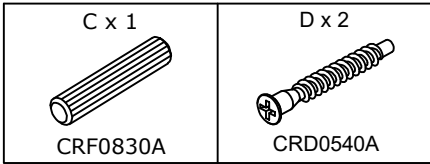
10



Attach board 4 to board 6 and 8 using wooden dowel(C), add cam lock(B) into board 6,8 and turn clockwise to tighten as shown.

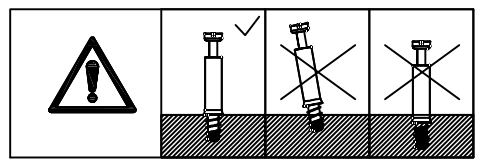
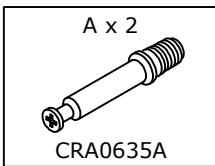


11

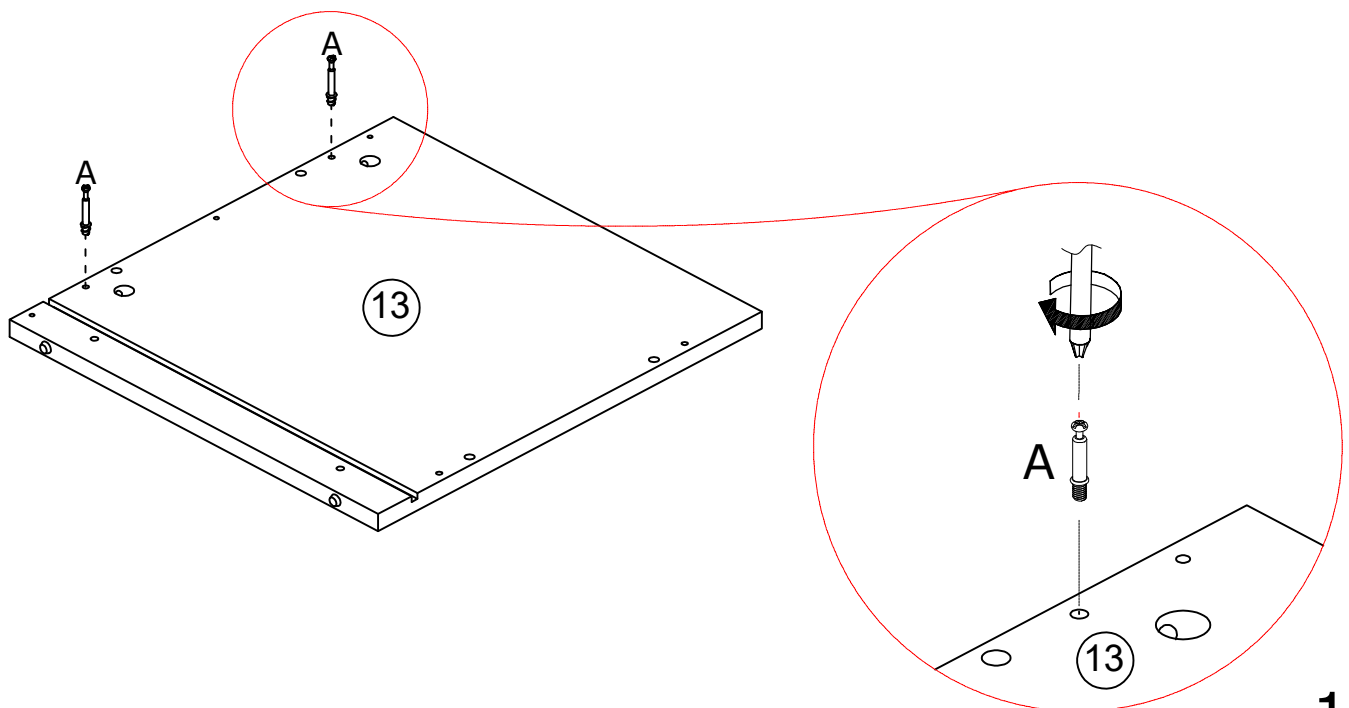


Attach board 12 to board 10 using wooden dowel(C), and fix with screw(D) as shown

12

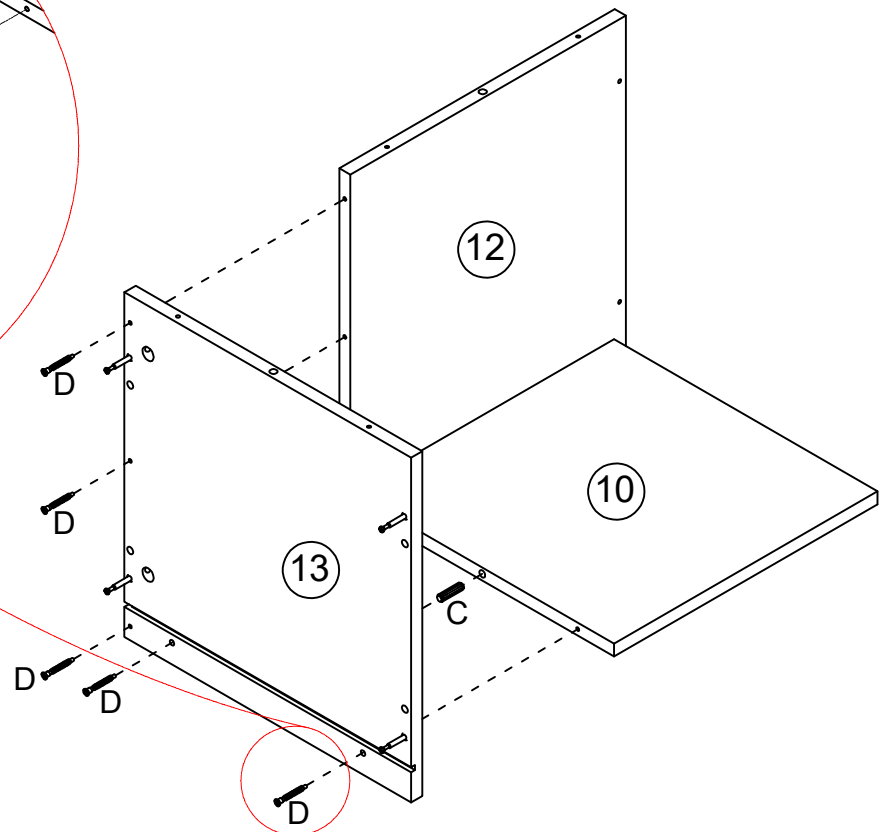
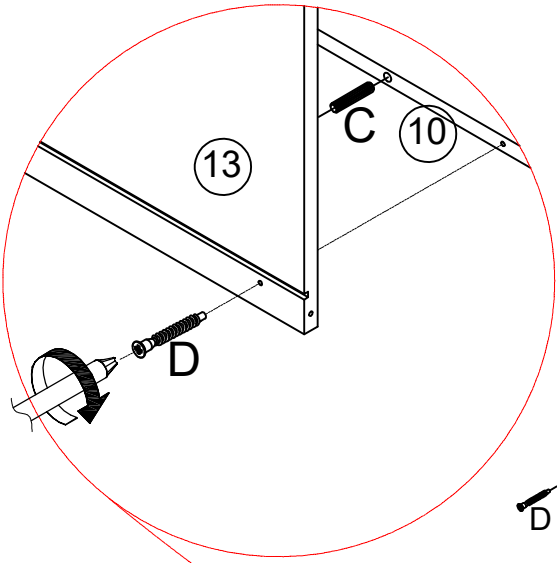
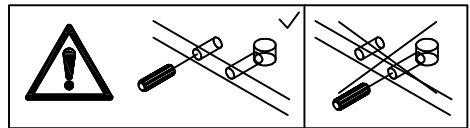
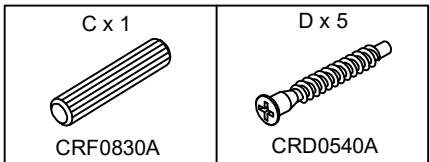


Screw eccentric rod(A) into board 13 at first.



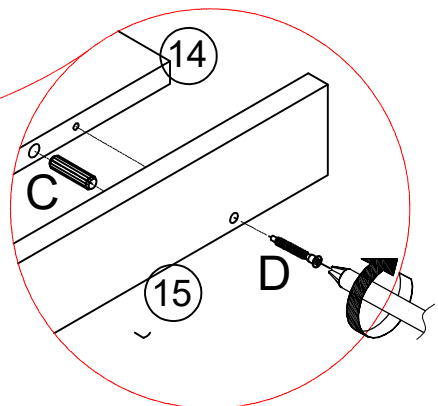
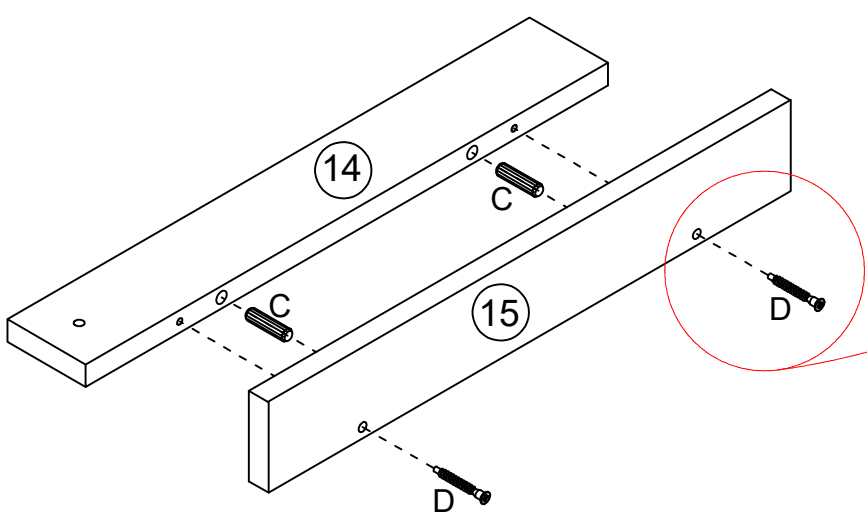
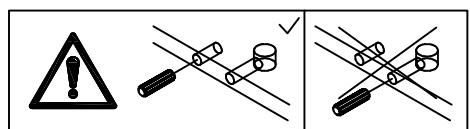
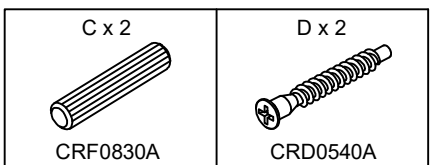
14

# 13



Attach board 13 to board 10 and 12 using wooden dowel(C), and fix with screw(D) as shown.

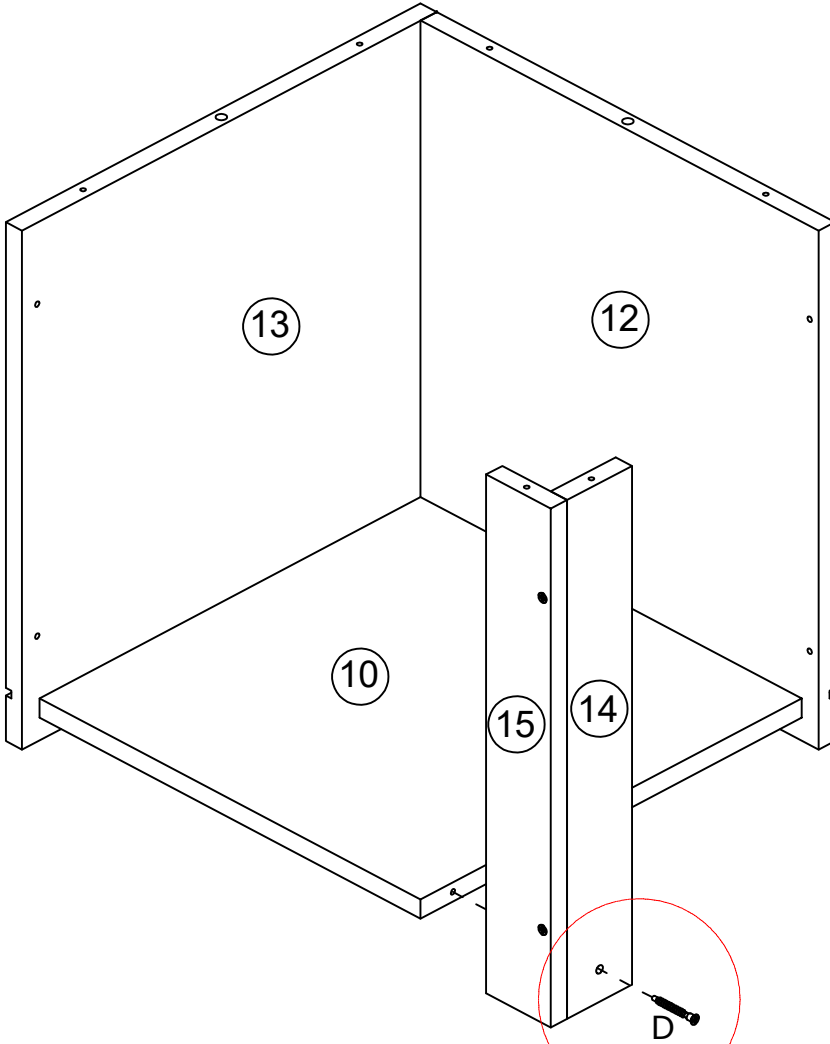
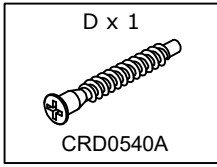
# 14



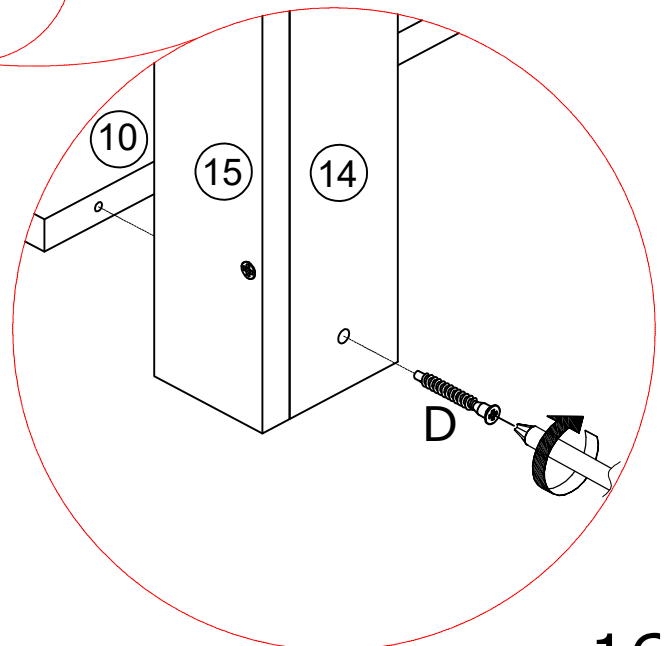
Attach board 14 to board 15 using wooden dowel(C), and fix with screw(D) as shown.

# 15

15

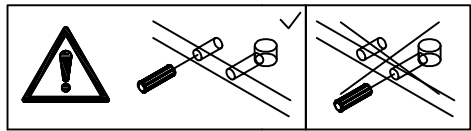
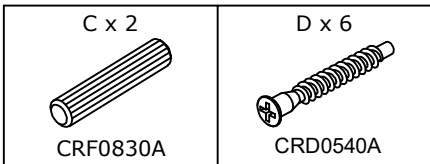


Fix board 14 to board 10  
with screw(D) as shown.

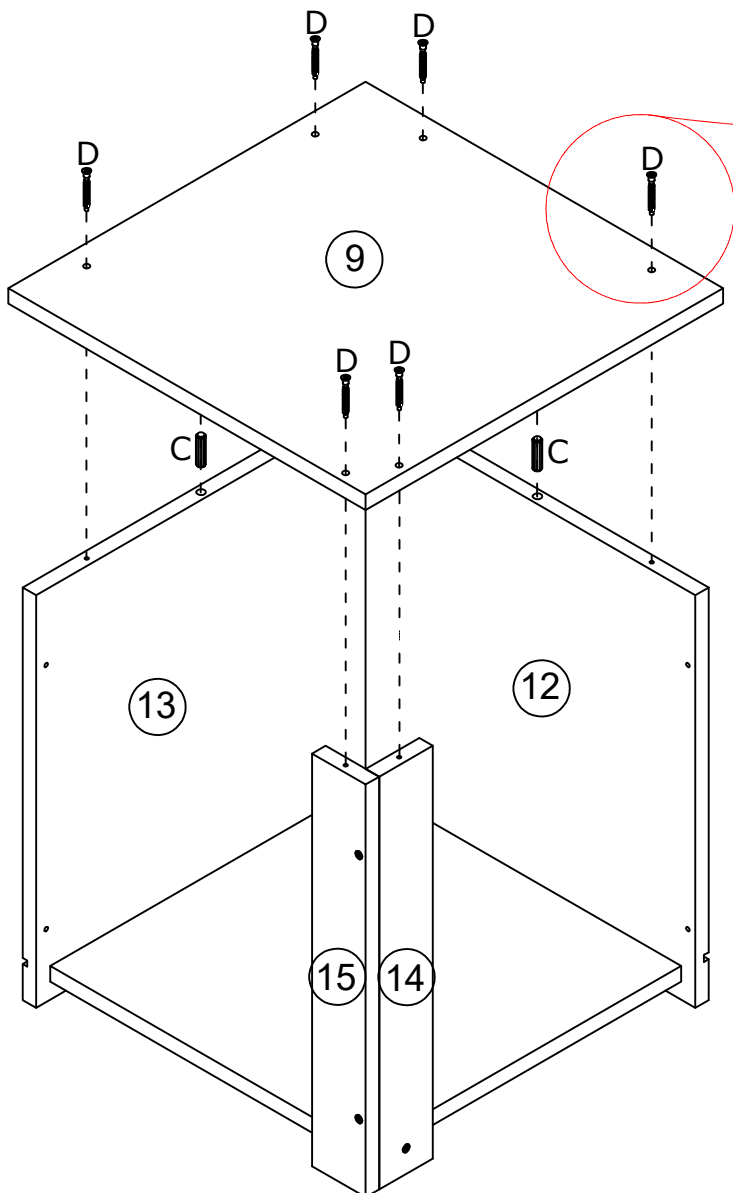
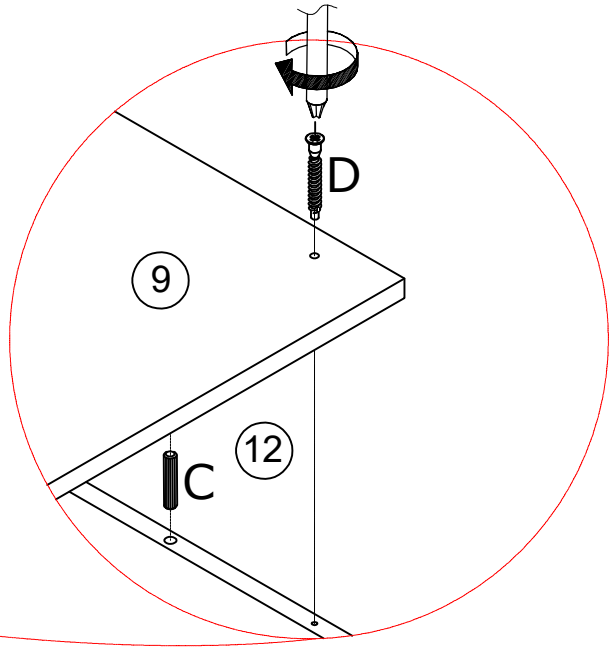


16

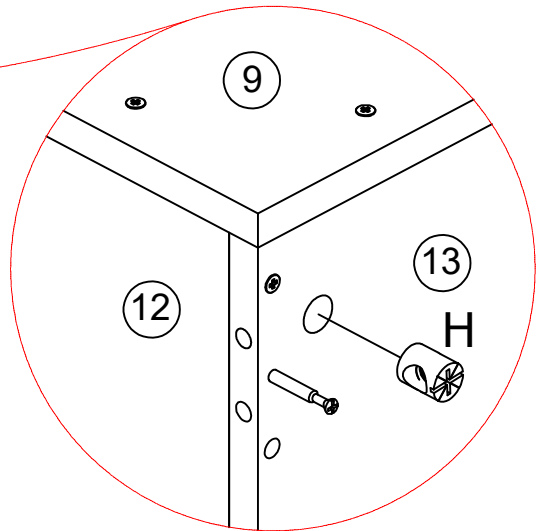
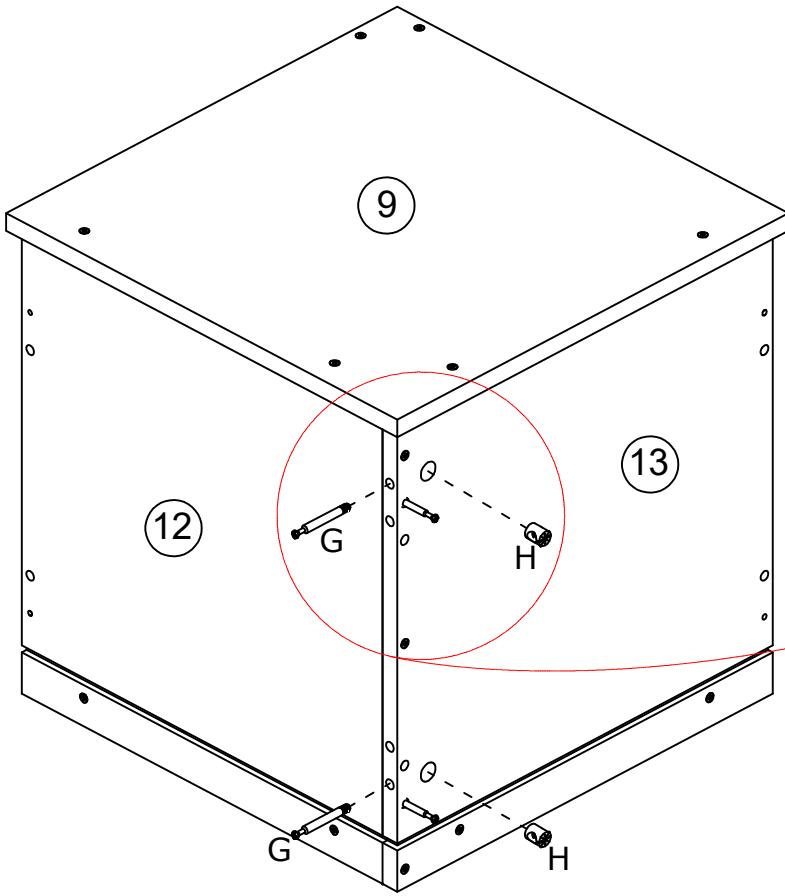
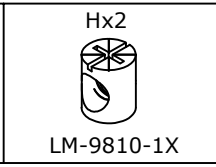
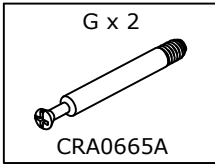
16



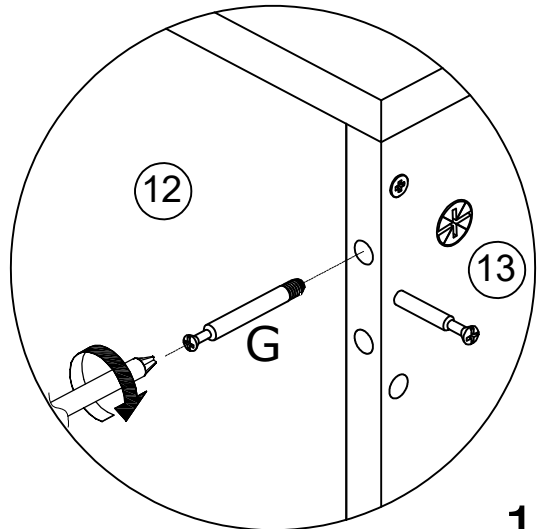
Attach board 9 to board 12, 13, 15 and 14 using wooden dowel(C), and fix with screw(D) as shown.



17

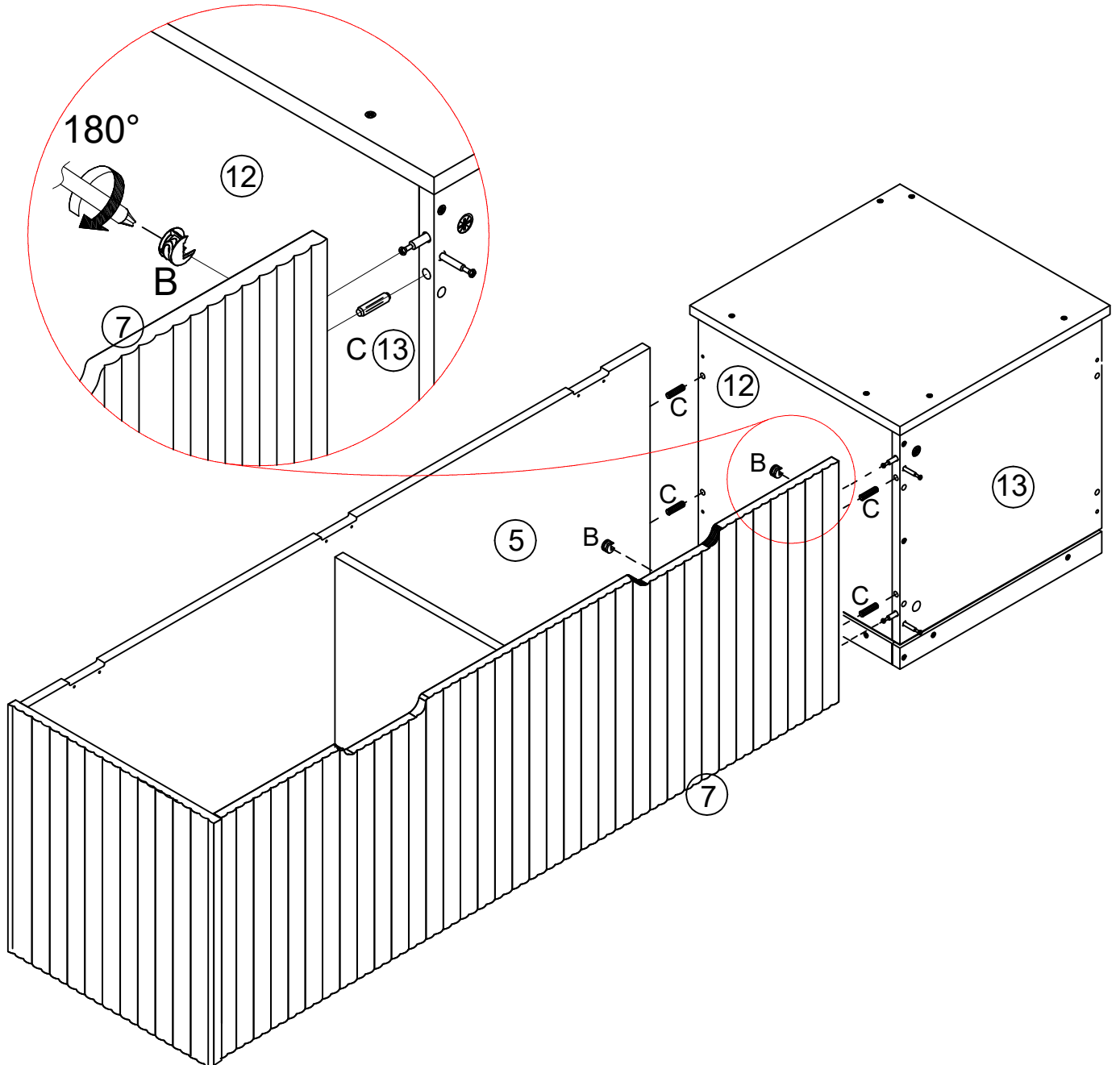
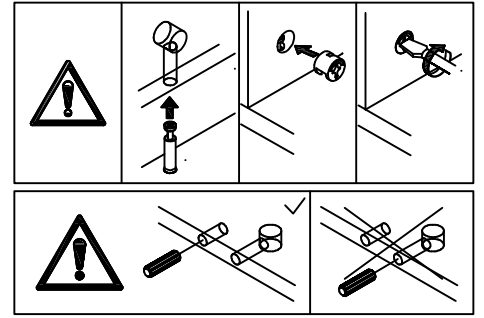
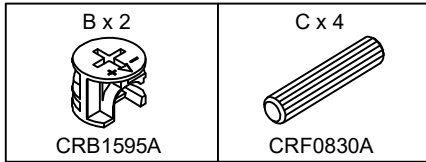


Add nut(H) into board 13 at first, screw eccentric rod(G) into board 12 as shown.



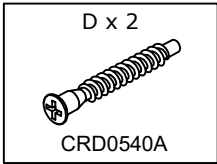
18

18

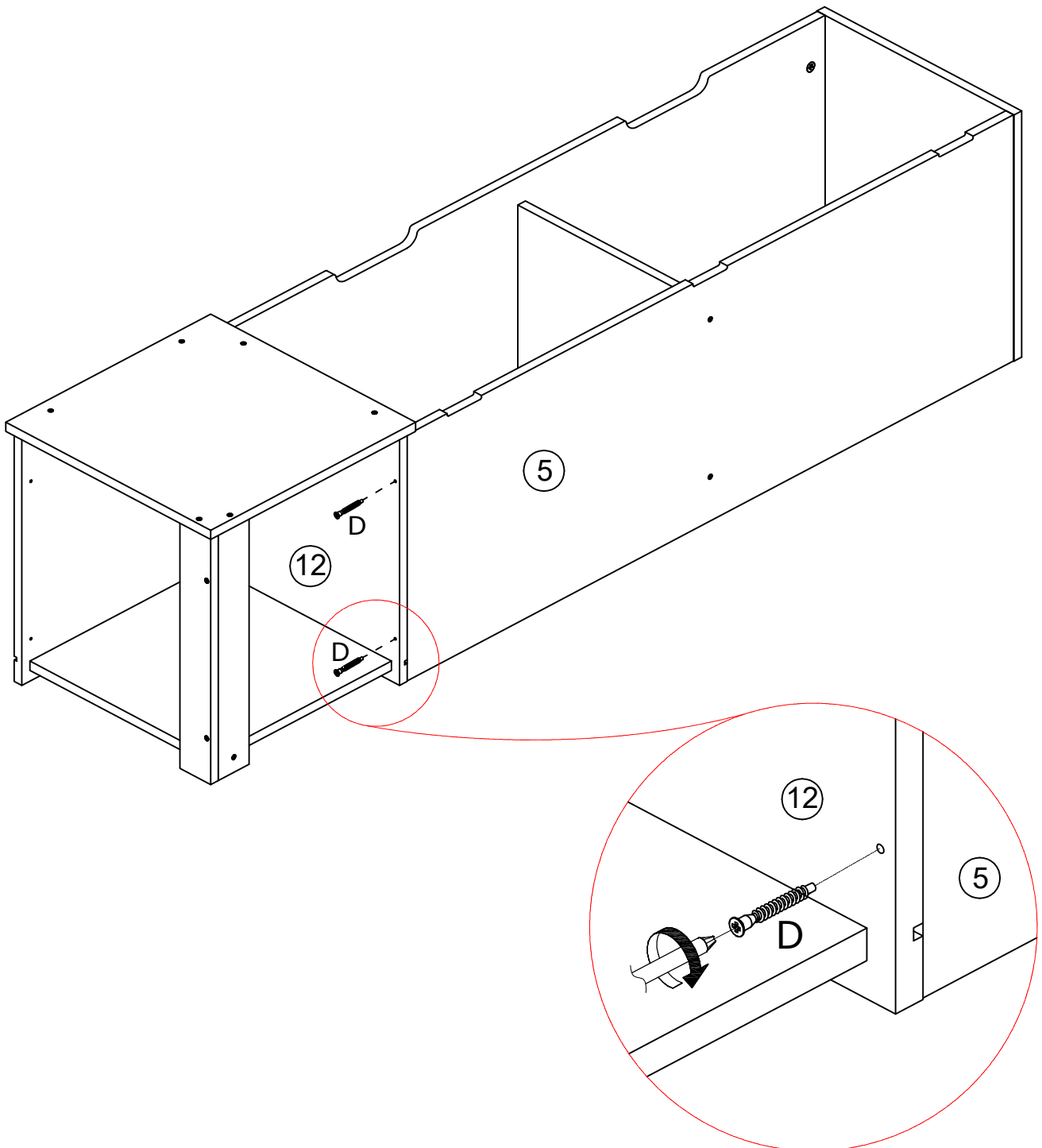


Attach the component to board 5 and 7 using wooden dowel(D), add cam lock(B) into board 7 and turn clockwise to tighten as shown.

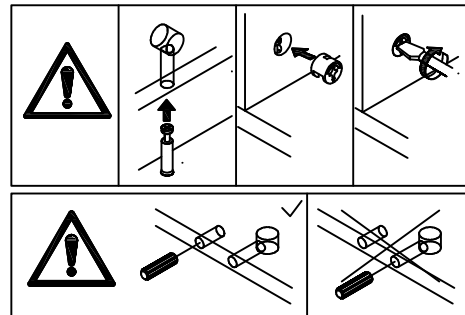
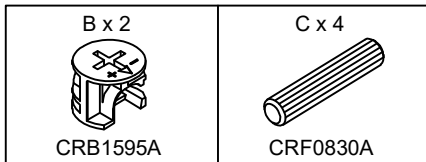
19



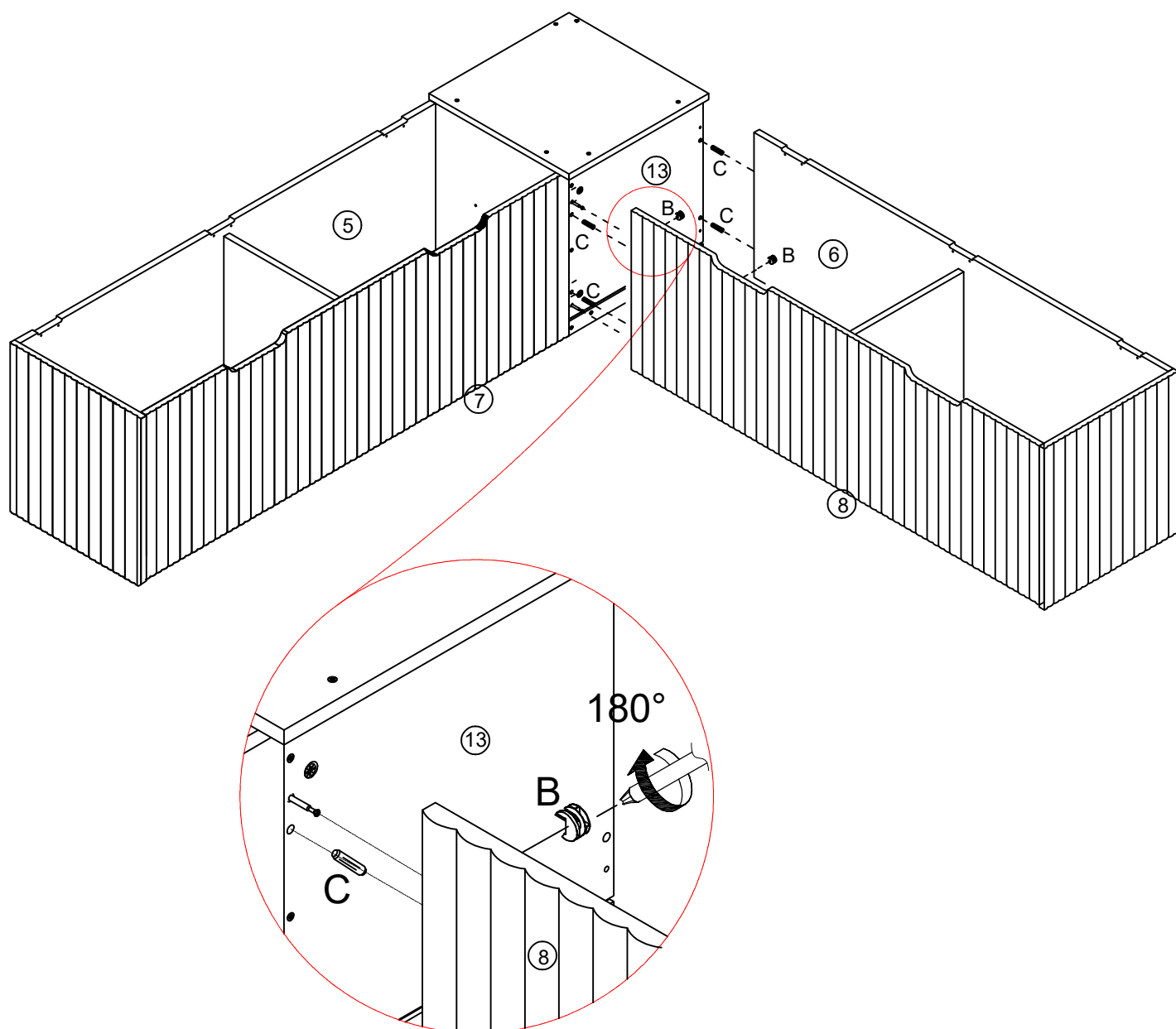
Fix board 12 to board 5 with screw(D) as shown.



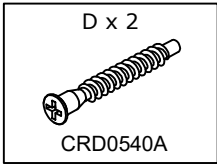
20



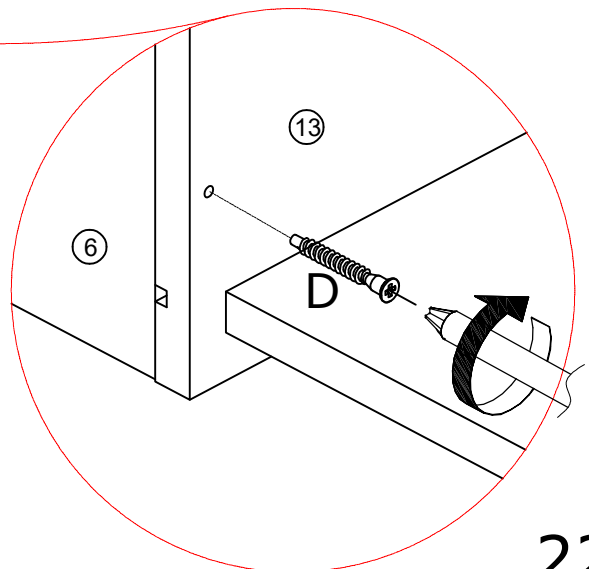
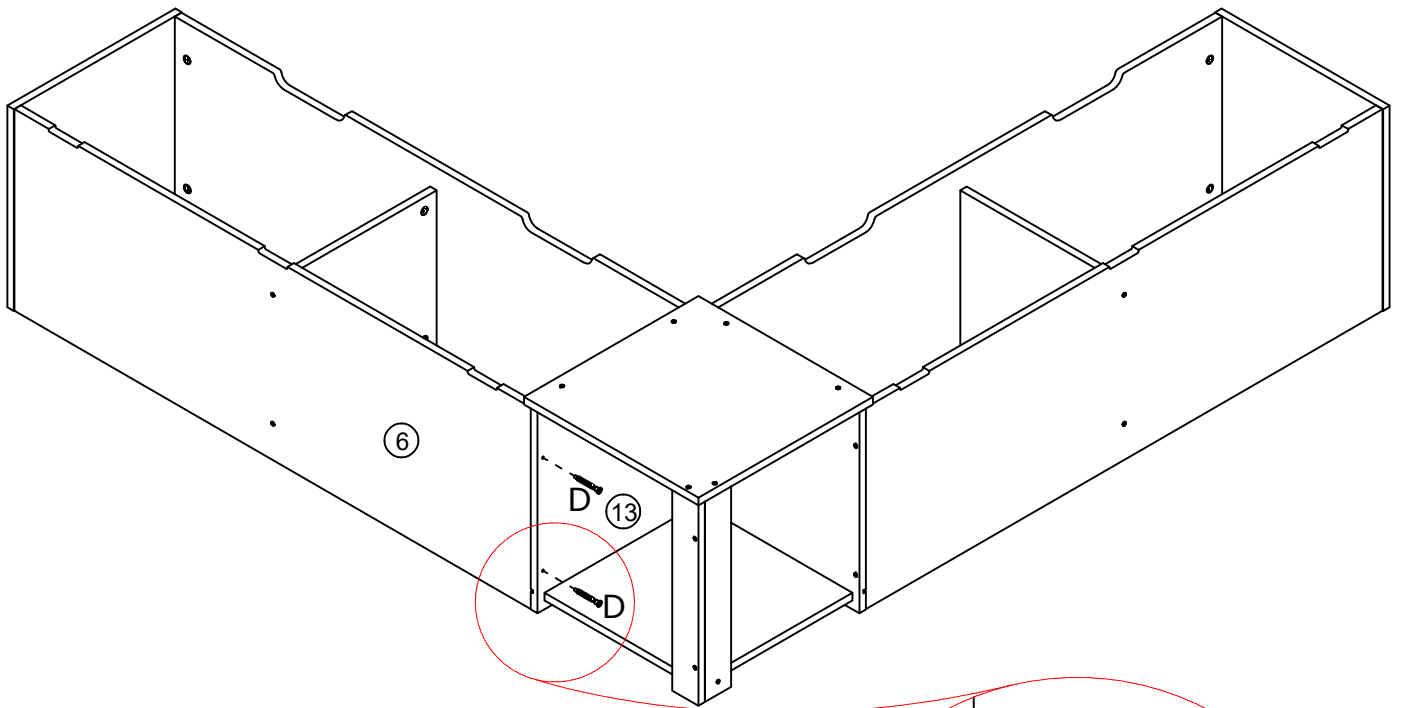
Attach board 13 to board 6 and 7 using wooden dowel(D), add cam lock(B) into board 8 and turn clockwise to tighten as shown.



21

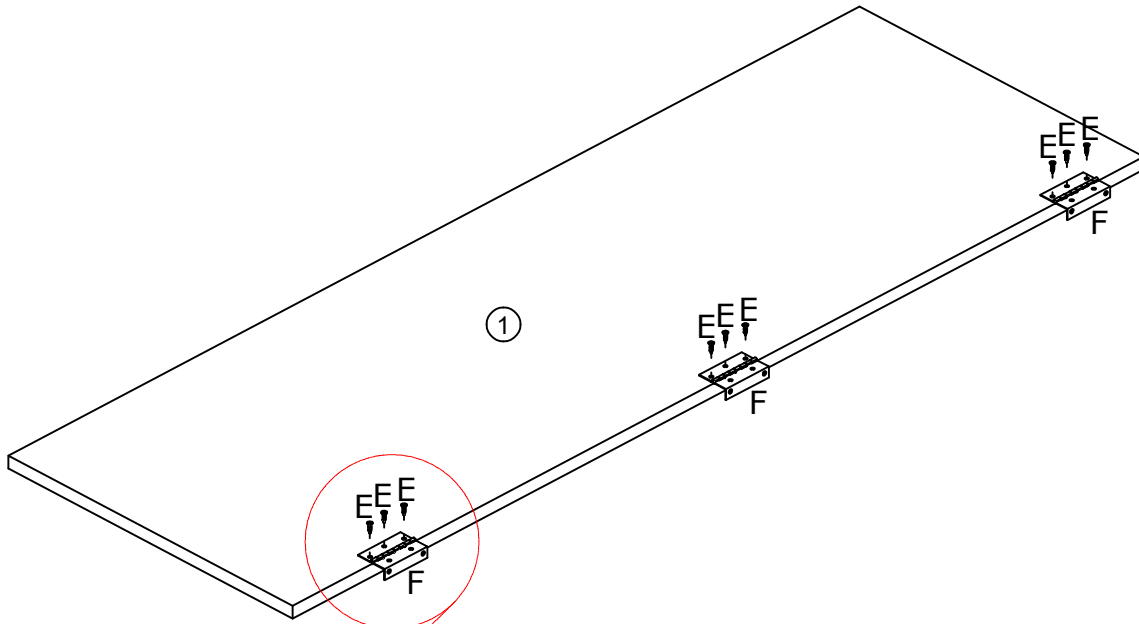
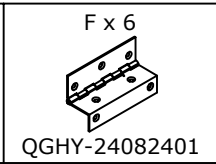
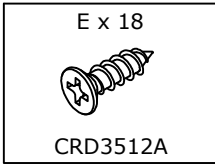


Fix board 13 to board 6 with screw(D) as shown.

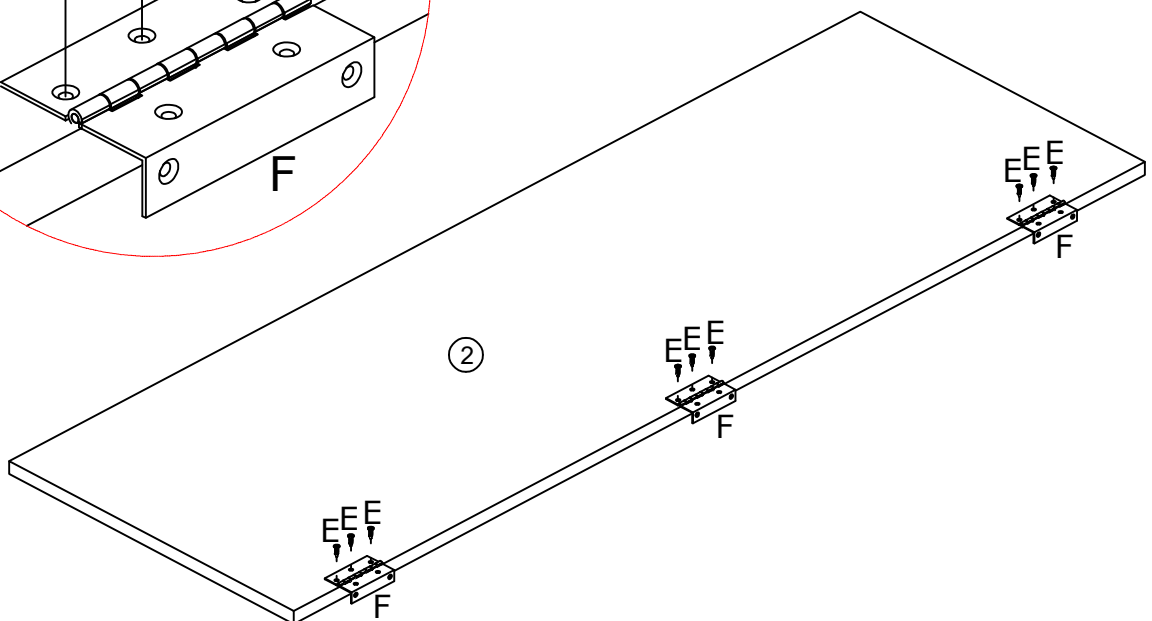
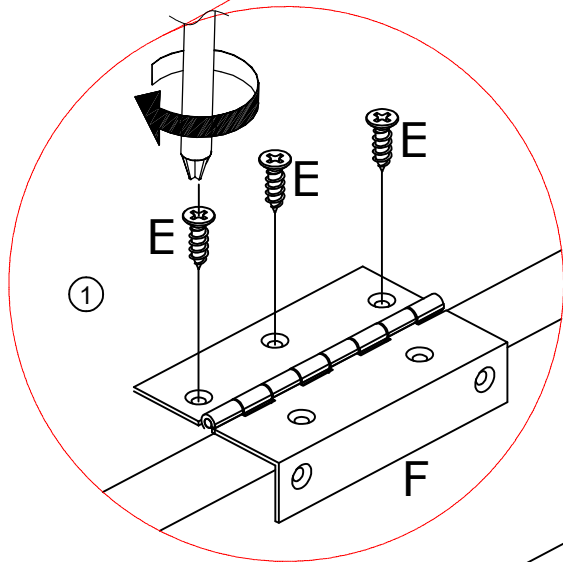


22

22

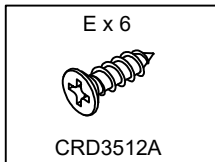


Fix hinge(F) to board 1 and 2 with screw(E) as shown.

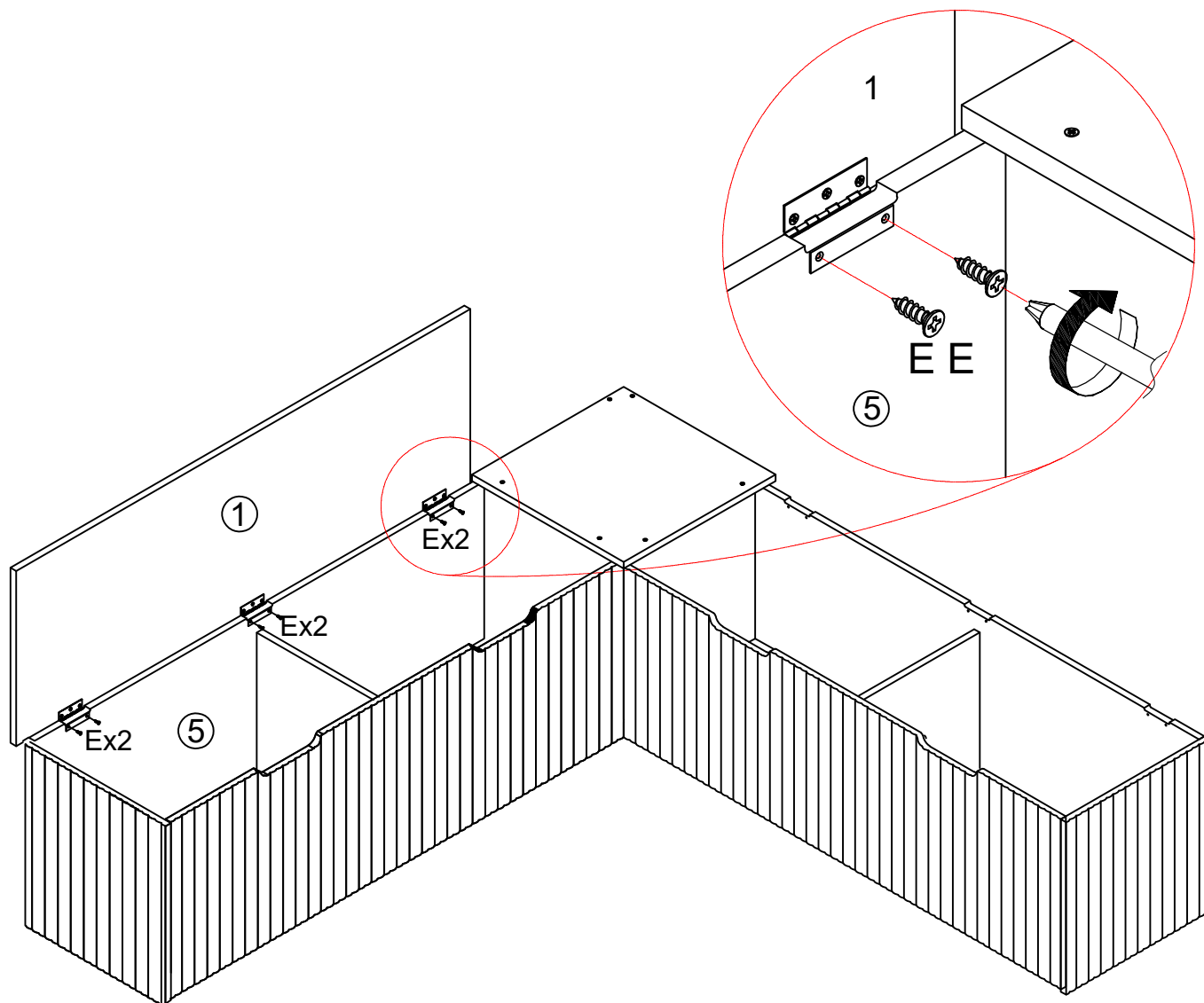


23

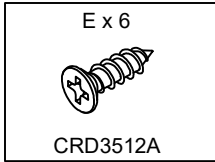
23



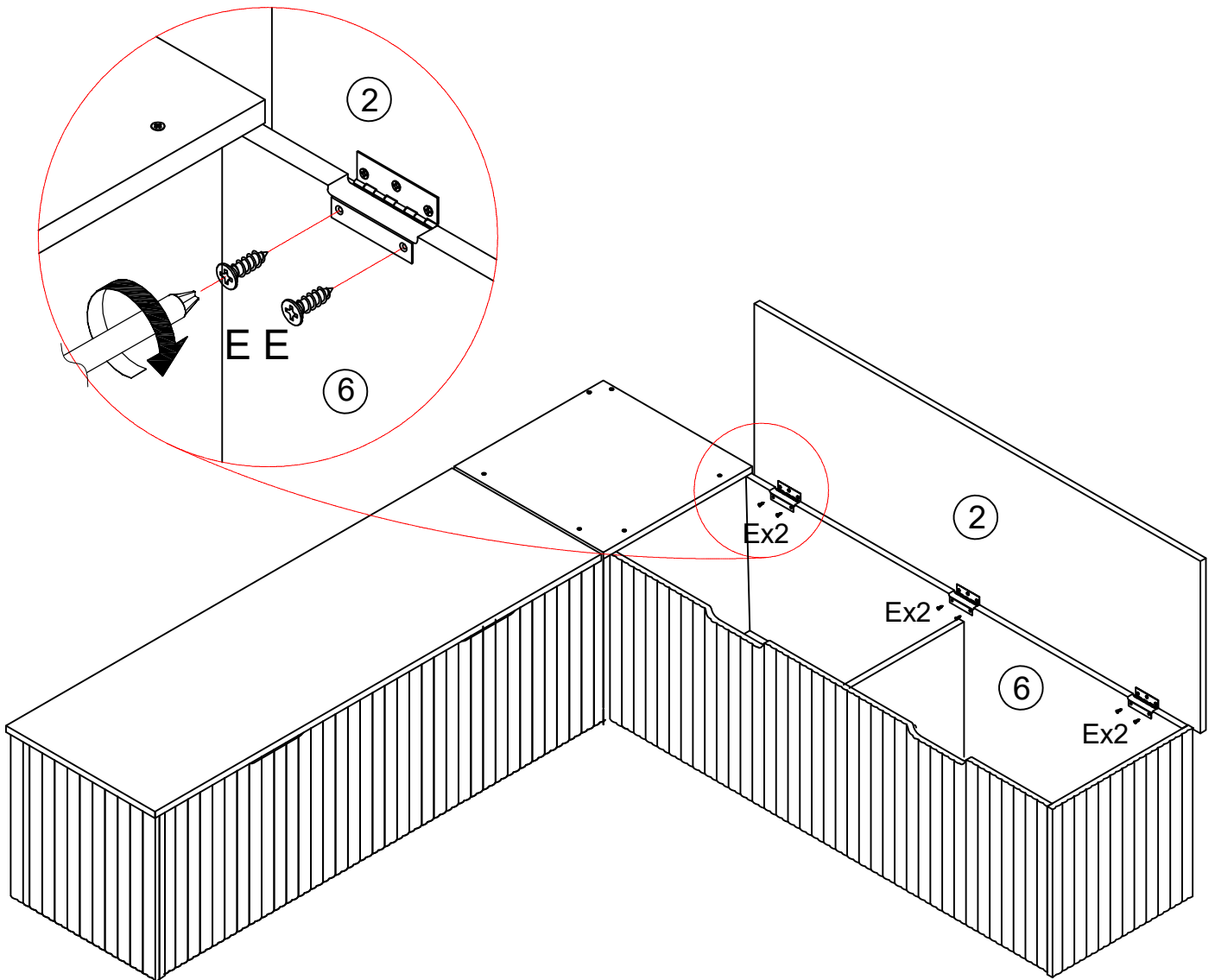
Attach board 1 to board 5 by fixing hinge with screw(E) as shown.



24



Attach board 2 to board 6 by fixing hinge with screw(E) as shown.



25

