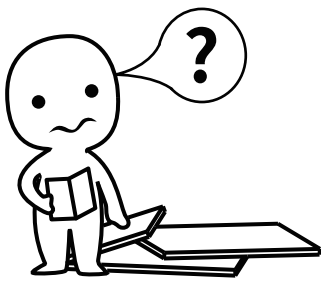


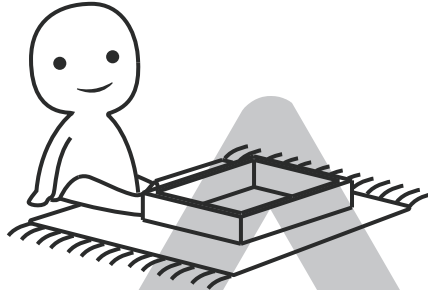
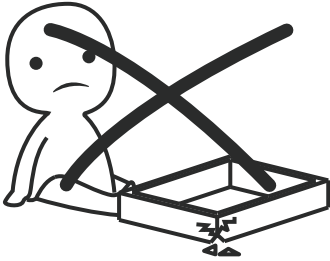
INSTALLATION

Product Manual



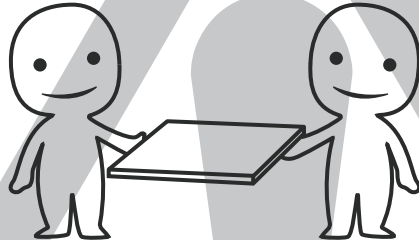
IMPORTANT INFORMATION!

Please read the entire manual before starting to assemble and/or using this product. Follow the manual thoroughly and keep it for further reference.



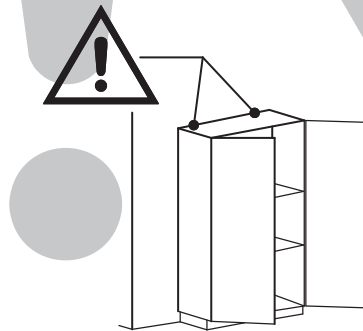
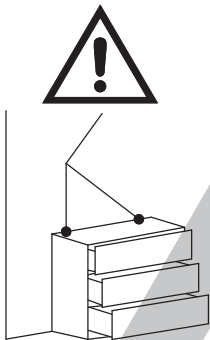
AVOID SCRATCHES!

In order to avoid scratching this furniture should be assembled on a soft layer-could be a rug.



IMPROVE EFFICIENCY !

Try to find a partner to install with you, which can speed up the installation efficiency and shorten the time.



ANTI-TOPPLE WARNING !

Overturnd furniture can cause serious or fatal crush injuries. To prevent tipping over, be sure to use the wall attachment, if not included with this product. Please purchase the wall attachment that fit your wall. If unsure, seek professional advice. Please read and follow each step of the instructions carefully.

IMPORTANT !

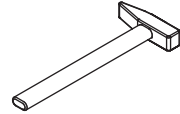
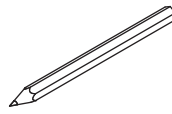
It is important that any product which is assembled using any kind of screw is re-tightened 2 weeks after assembly, and once every 3 months - in order to assure stability through-out the lifespan of the product.

For regular maintenance and cleaning of the product, for the frame, please use a rag dipped in neutral detergent to fully wipe it, and then dry it with a clean rag. For glass materials, wipe with a rag dampened with water glass cleaner, and then dry with a dry rag.

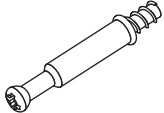

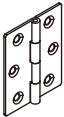
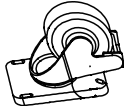

Do not use an electric screwdriver, and do not use too much force when installing, because the board is easy to break.

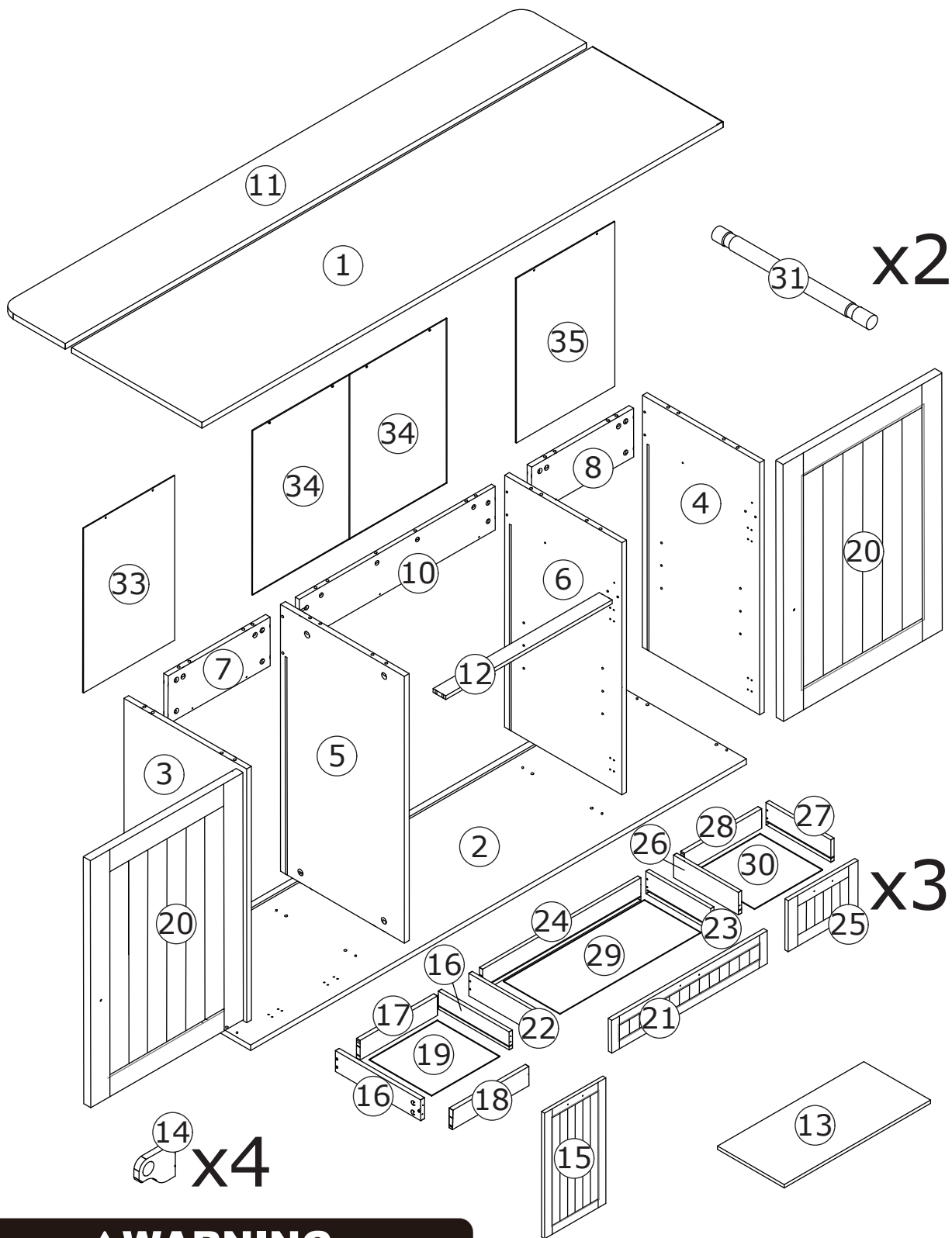


Please prepare the following tools



When installing, please carefully confirm whether each screw corresponds to the manual, accessories with similar shapes can be distinguished by size

<p>A x 56</p>  <p>Ø6 x 35 mm</p>	<p>B x 40</p>  <p>Ø15 x 11 mm</p>	<p>C x 22</p>  <p>Ø8 x 30 mm</p>	<p>D x 4</p>  <p>CL CR DL DR L = 300 mm</p>	<p>E x 46</p>  <p>Ø3 x 12 mm</p>
<p>F x 24</p>  <p>Ø3.5 x 14 mm</p>	<p>G x 32</p>  <p>Ø4 x 35 mm</p>	<p>H x 7</p>  <p>Ø4 x 18 mm</p>	<p>J x 4</p> 	<p>K x 2</p>  <p>X12 Ø3 x 12 mm</p>
<p>L x 3</p> 	<p>M x 8</p>  <p>Ø5 x 40 mm</p>	<p>N x 1</p> 	<p>P x 6</p> 	<p>Q x 4</p> 
<p>R x 30</p>  <p>Ø15 x 9.5 mm</p>	<p>S x 12</p> 	<p>T x 1</p>  <p>Ø3 x 12 mm</p>	<p>U x 20</p>  <p>Ø4 x 14 mm</p>	<p>V x 24</p>  <p>Ø6 x 12 mm</p>
<p>X x 2</p>  <p>Ø6 x 20 mm</p>	<p>Y x 58</p> 	<p>Z x 14</p>  <p>Ø4 x 18 mm</p>		



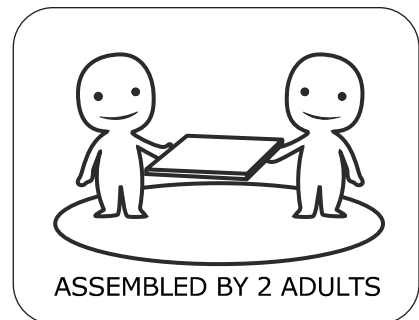
⚠ WARNING



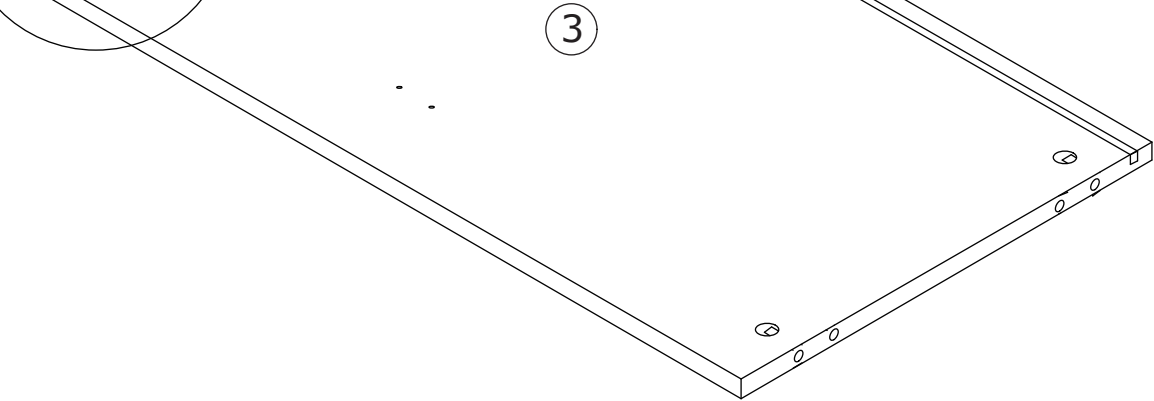
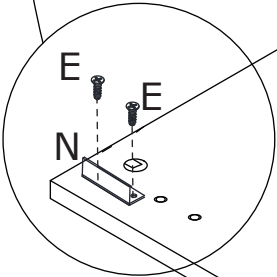
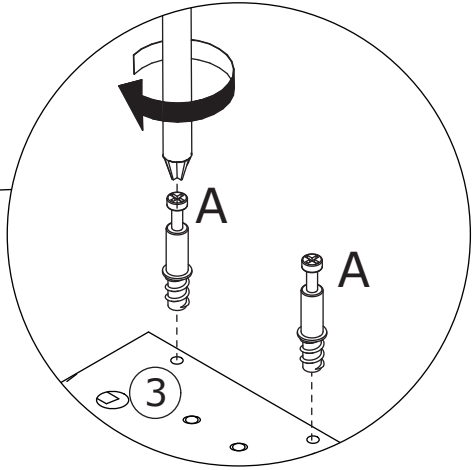
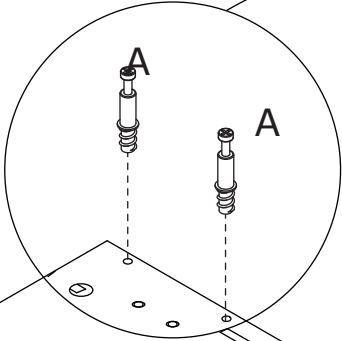
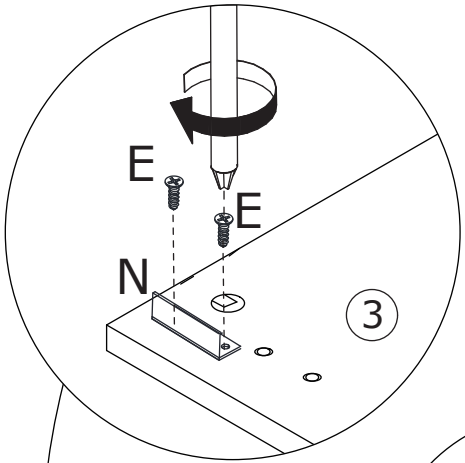
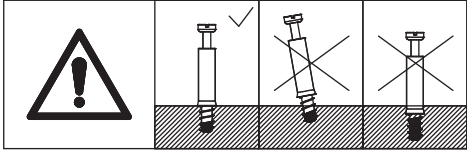
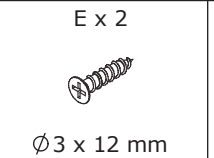
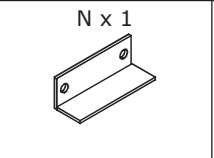
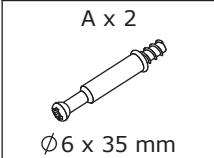
Children have died from furniture tipover. To reduce the risk of furniture tipover:

- ALWAYS install Anti-tip device provided.
- NEVER put a TV on this product.
- NEVER allow children to stand, climb or hang on drawers, doors, or shelves.
- NEVER open more than one drawer at a time.
- Place heaviest items in the lowest drawers.

*This is a permanent label.
Do not remove!*

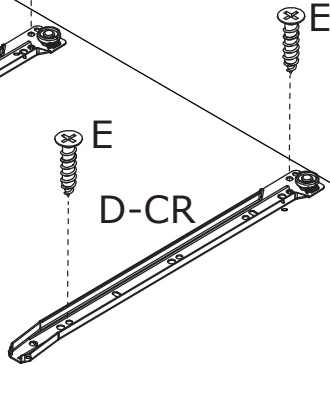
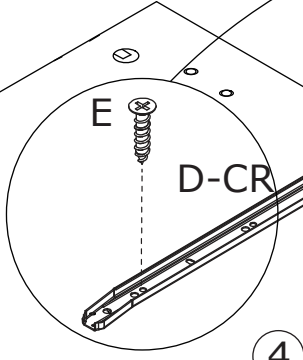
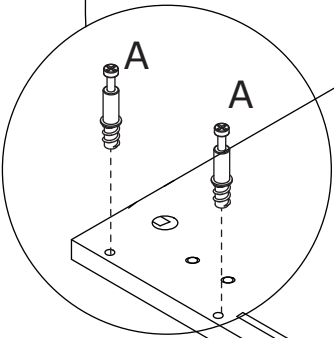
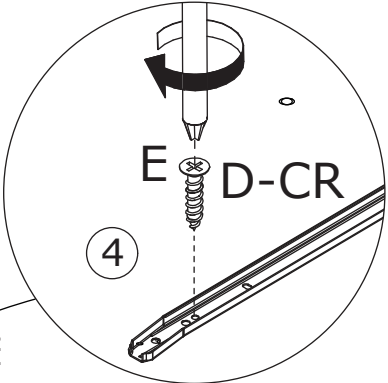
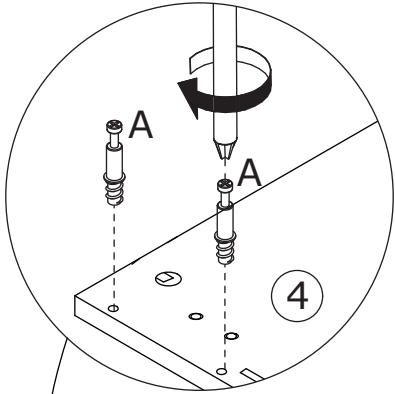
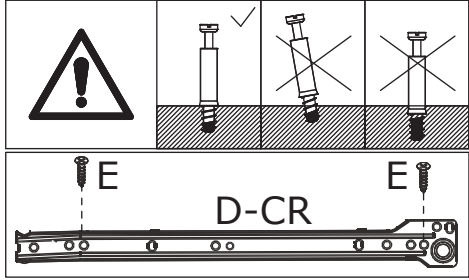
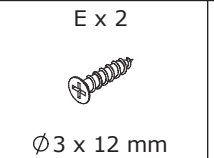
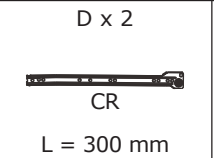
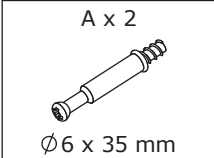


1



Screw eccentric rod (A) into plate 3, then use screw (E) to attach part (N).

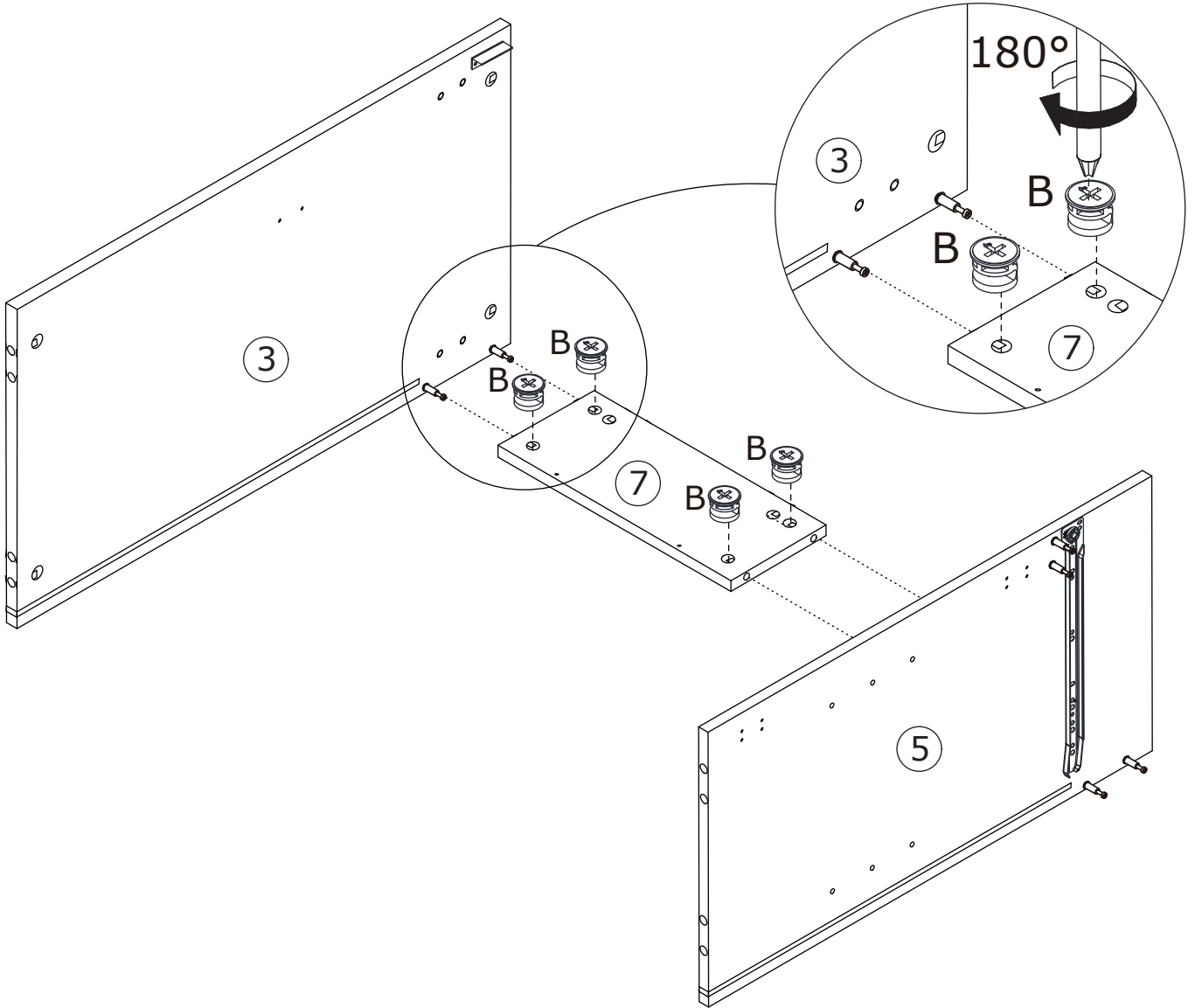
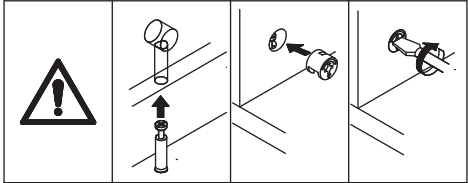
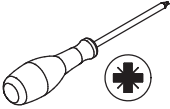
2



Screw eccentric rod (A) into plate 4, then use screw (E) to attach slide rail (D-CR).

4

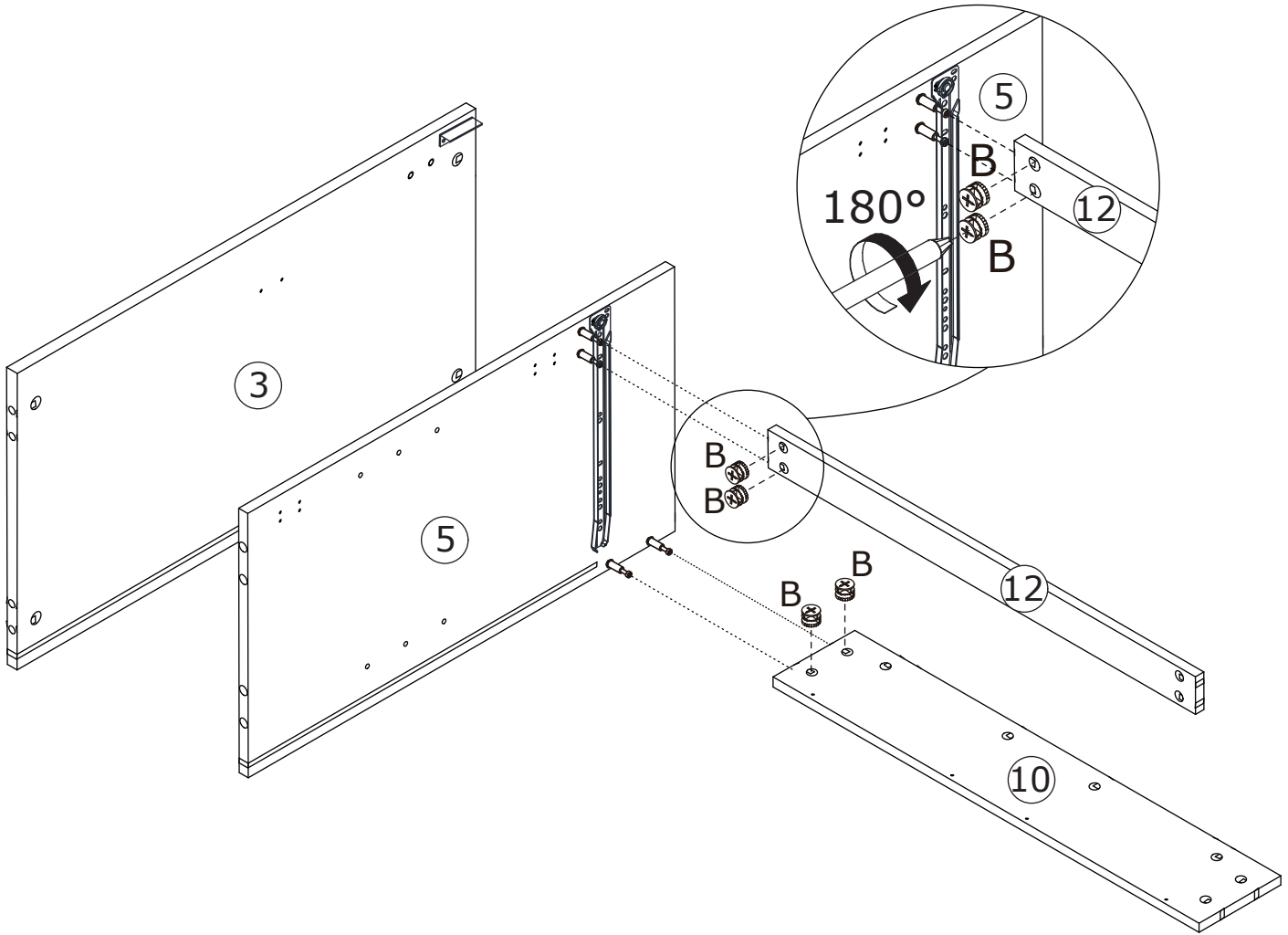
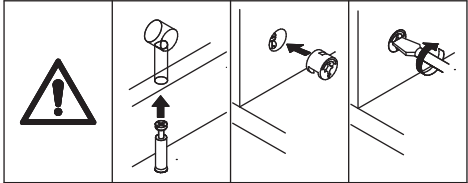
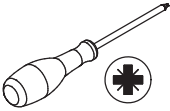
B x 4
Ø 15 x 11 mm



Connect plate 7 to plates 3 and 5, then add the eccentric pulley (B) and tighten it clockwise.

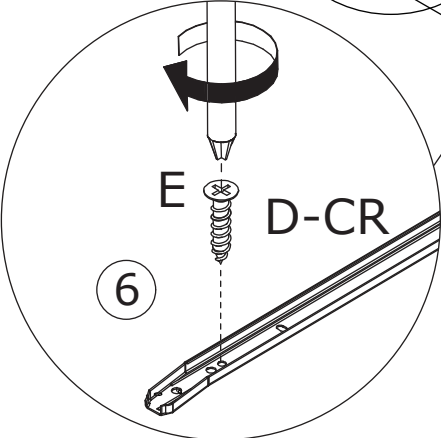
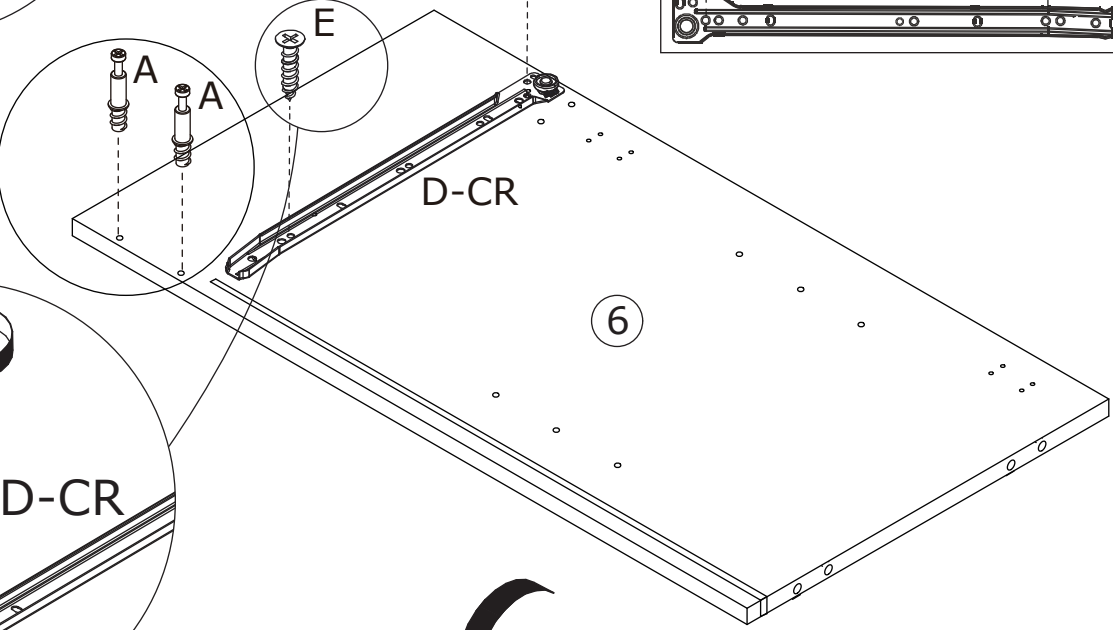
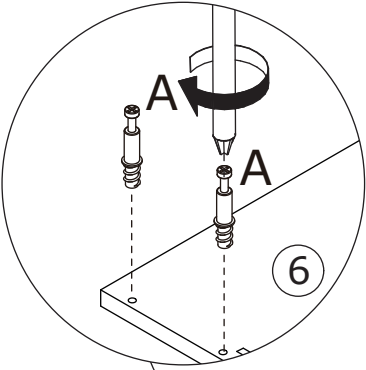
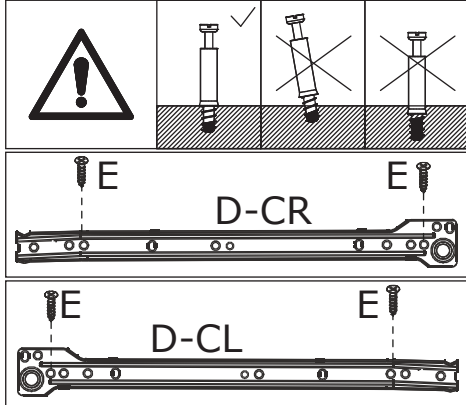
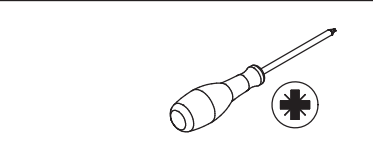
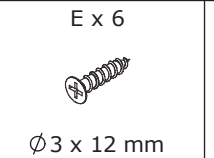
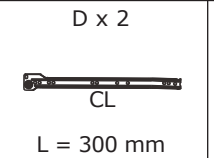
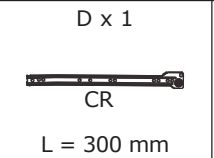
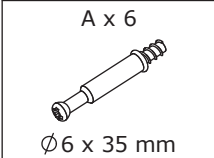
5

B x 4
Ø 15 x 11 mm



Connect plates 10 and 12 to plate 5, then add the eccentric pulley (B) and tighten it clockwise.

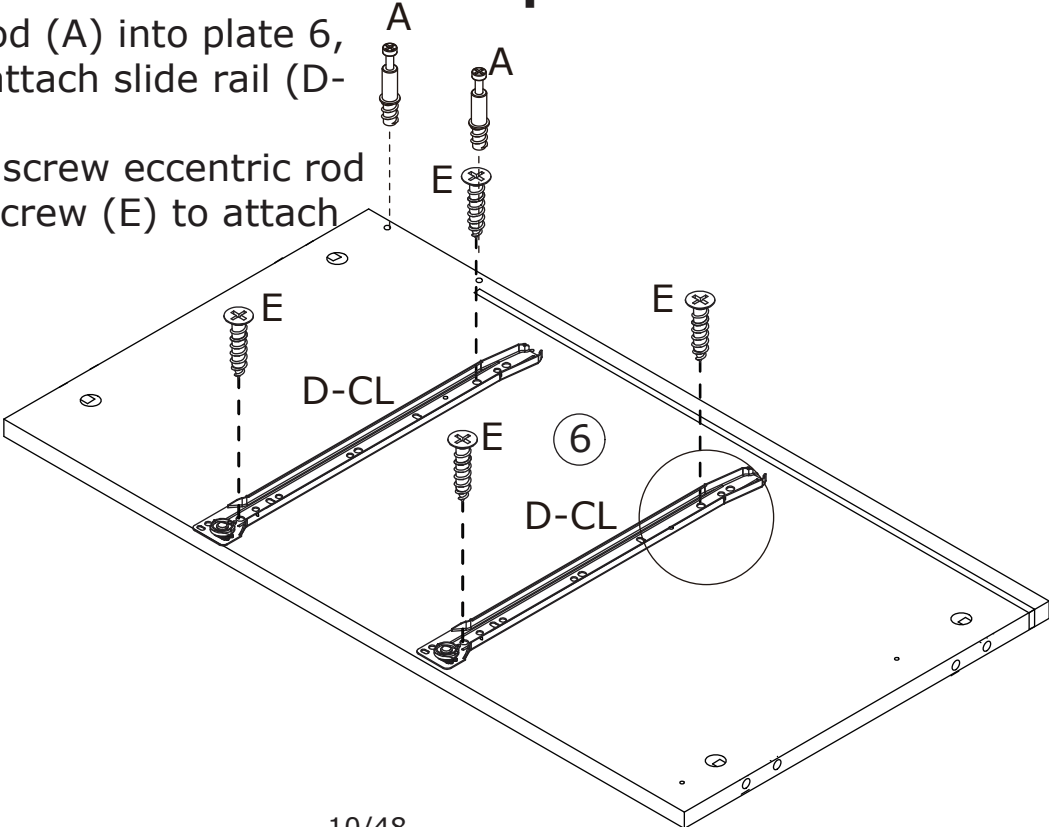
6



Flip to back

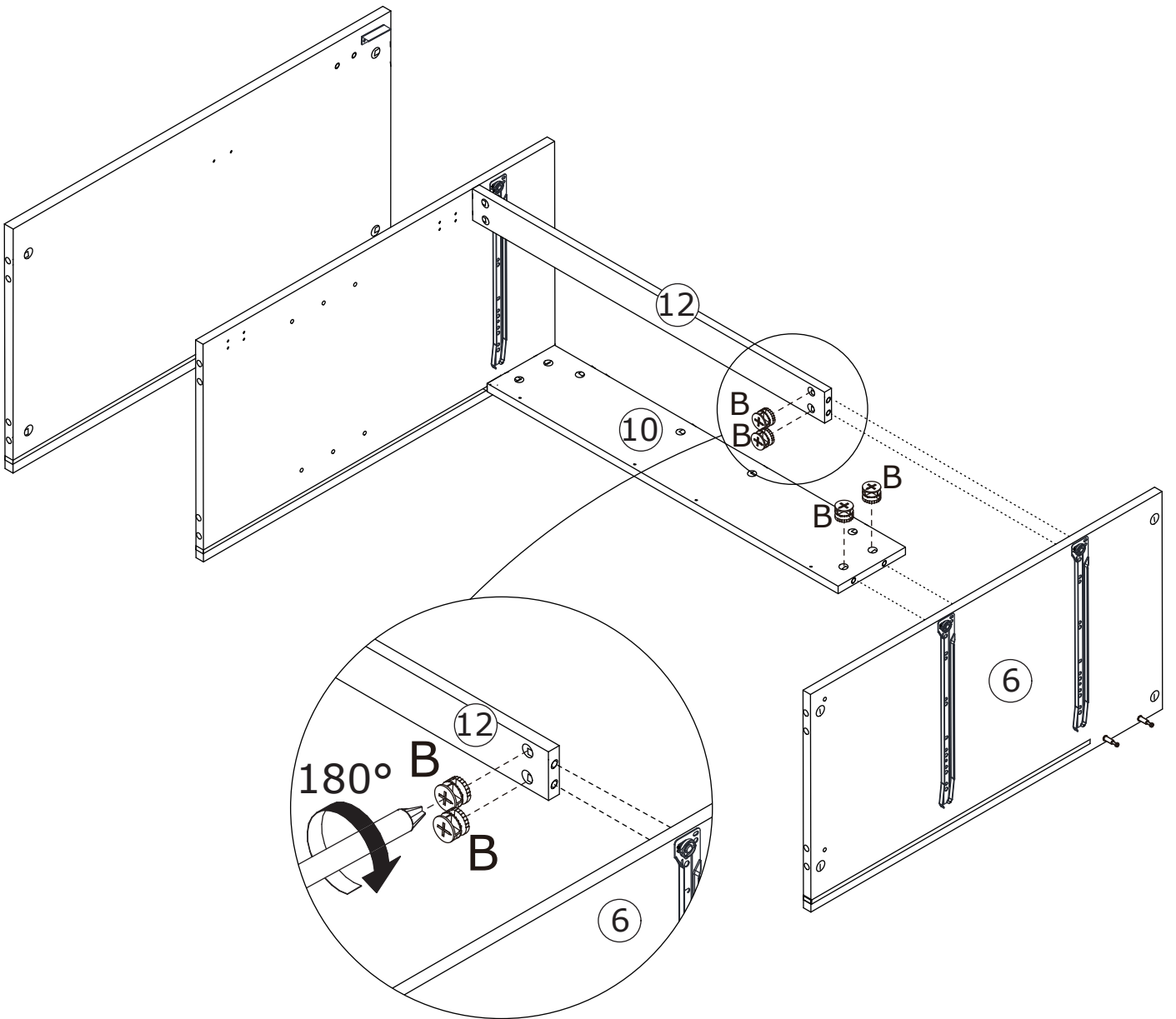
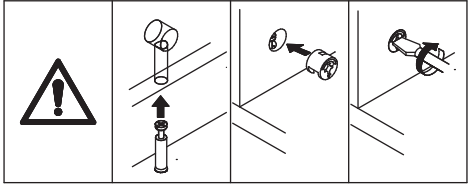
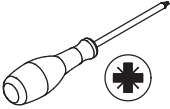
Screw eccentric rod (A) into plate 6, use screw (E) to attach slide rail (D-CR) first.

Then flip to back, screw eccentric rod (A) into and use screw (E) to attach slide rail (D-CL).



7

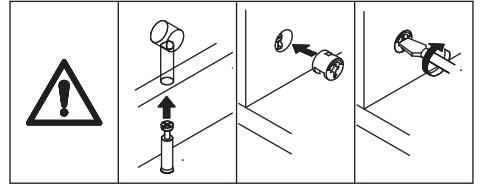
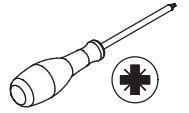
B x 4
Ø15 x 11 mm



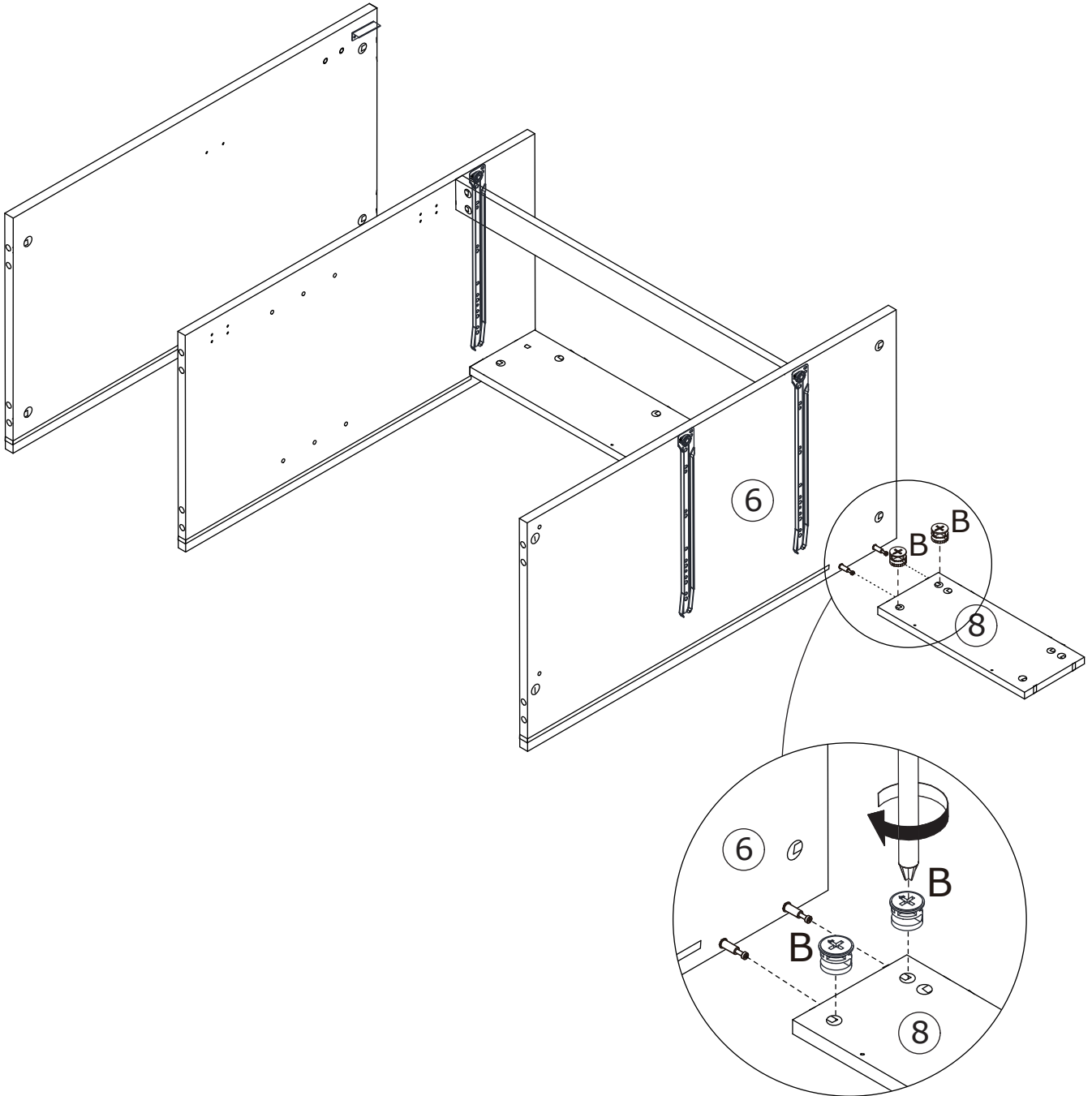
Connect plates 10 and 12 to plate 6, then add the eccentric pulley (B) and tighten it clockwise.

8

B x 2
Ø15 x 11 mm

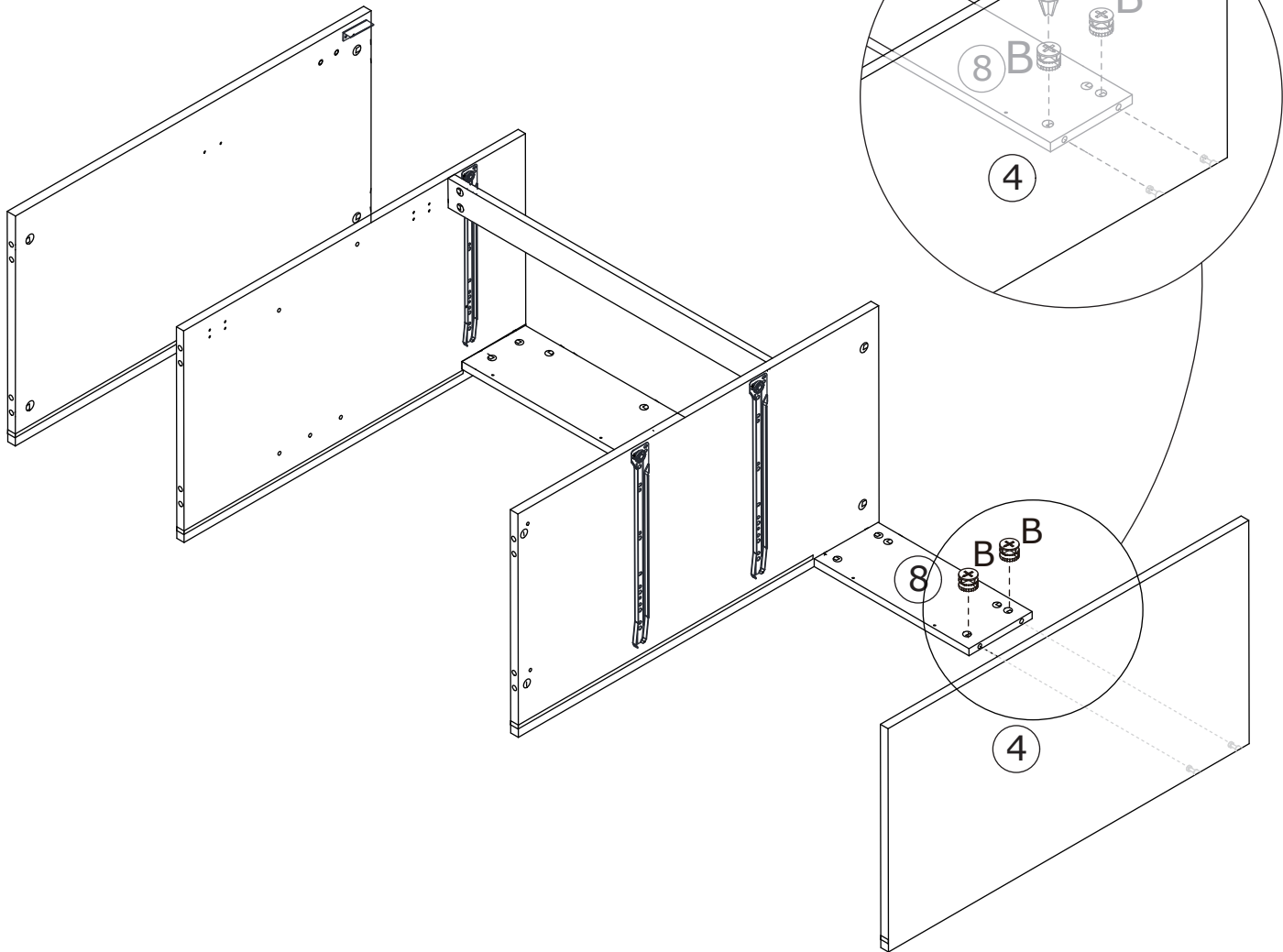
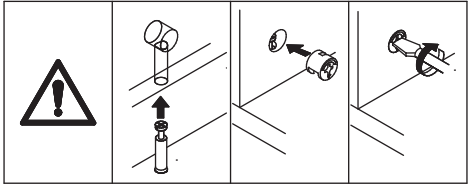
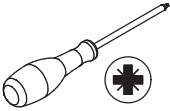


Connect plate 8 to plate 6, then add the eccentric pulley (B) and tighten it clockwise.



9

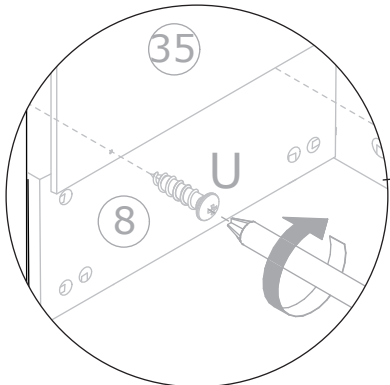
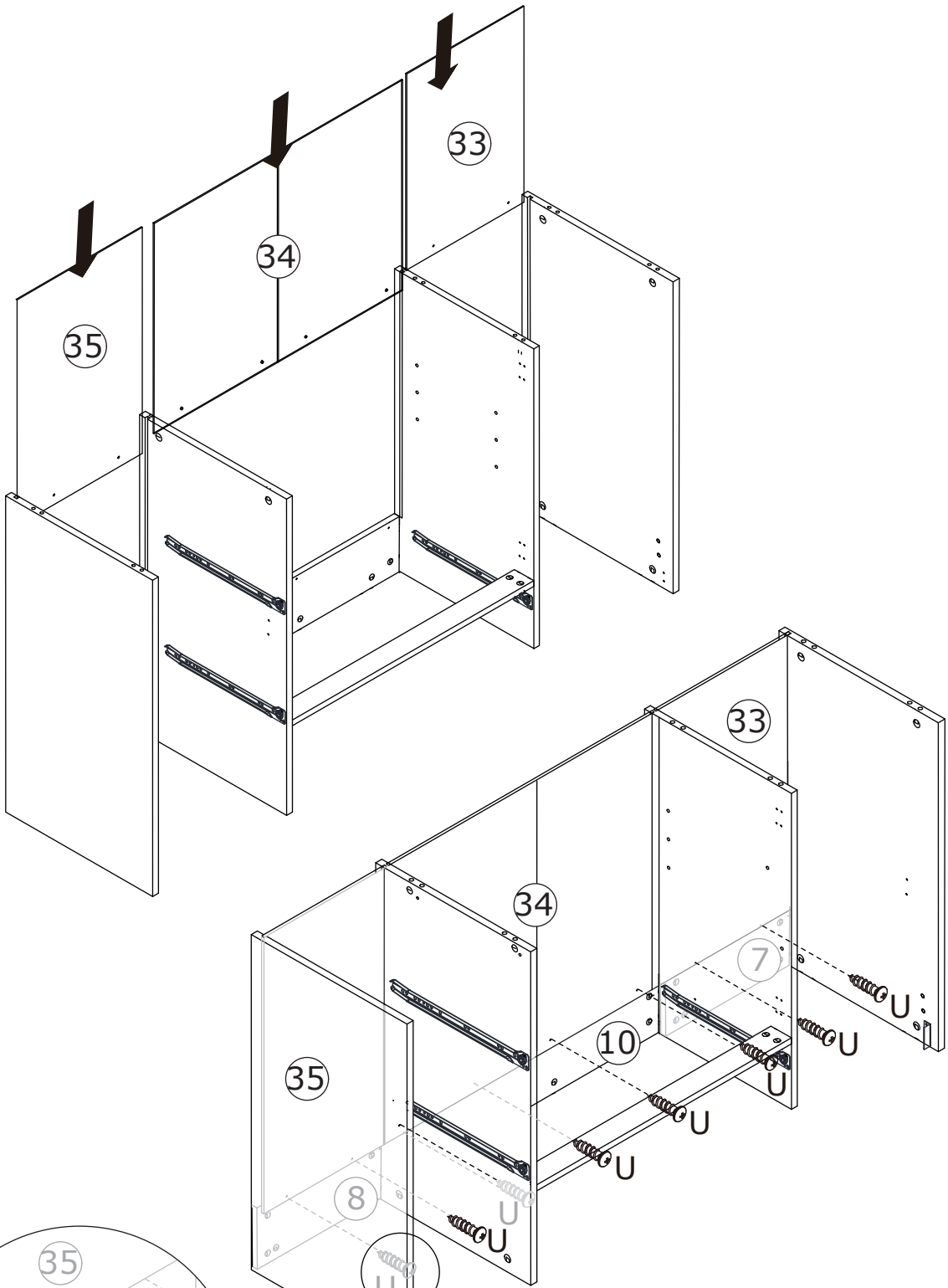
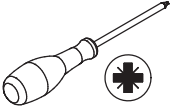
B x 2
Ø15 x 11 mm



Connect plate 8 to plate 4, then add the eccentric pulley (B) and tighten it clockwise.

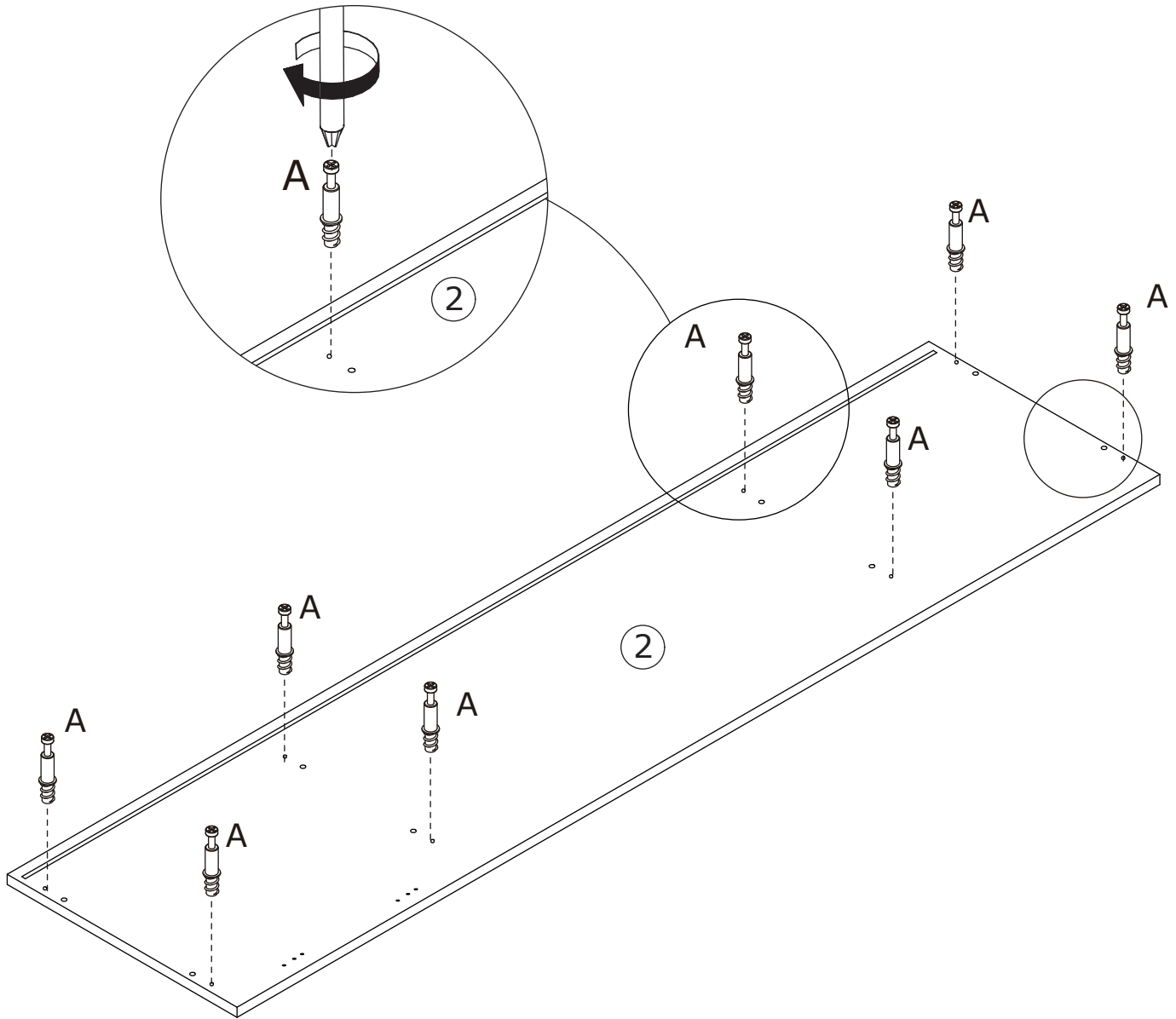
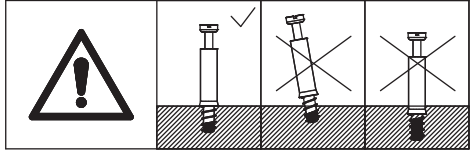
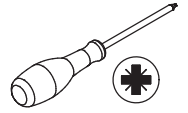
10

U x 8
Ø4 x 14 mm



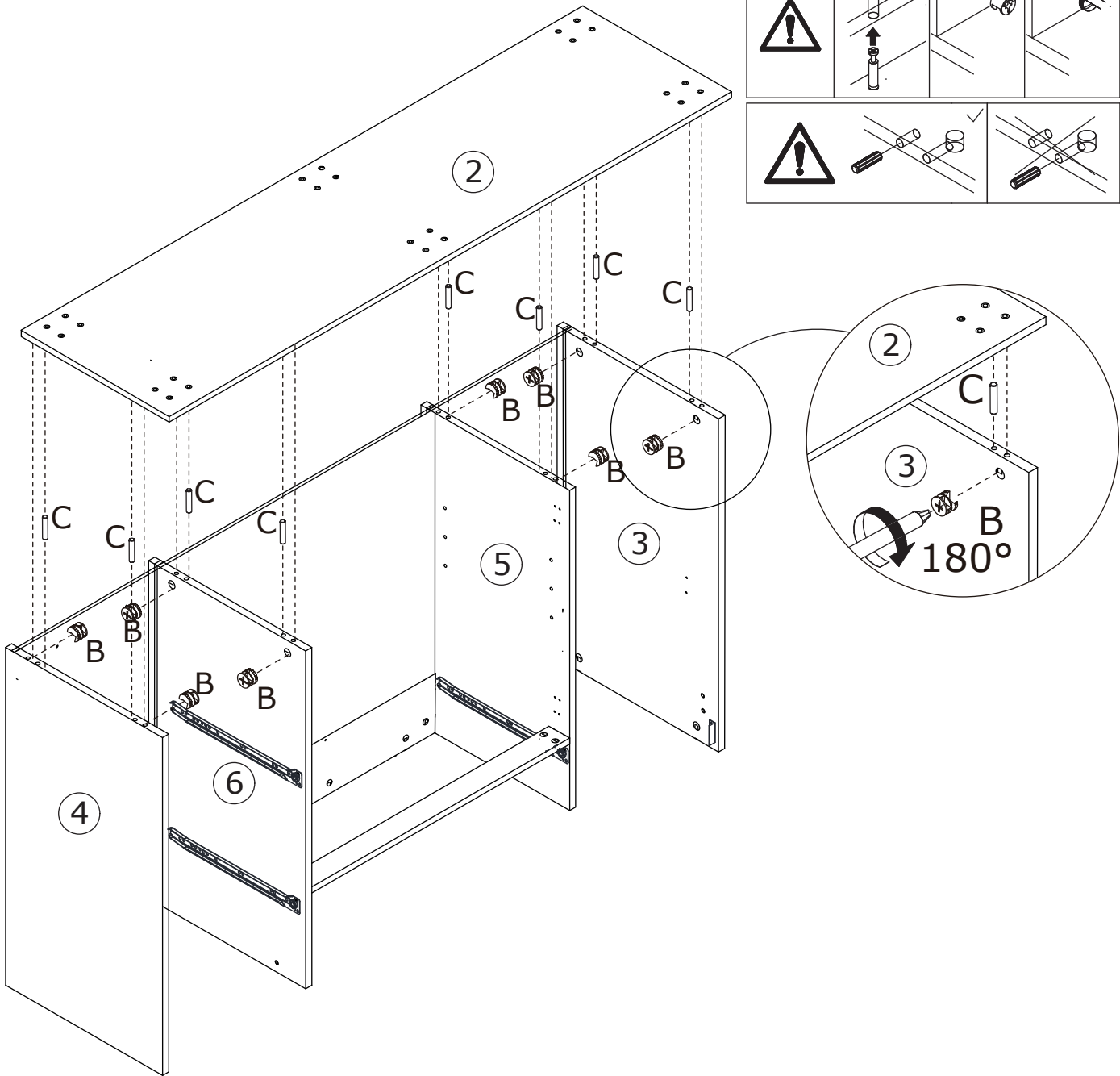
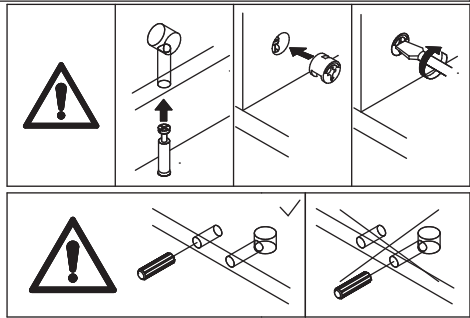
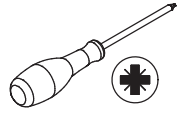
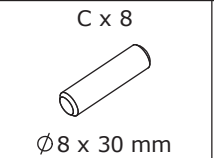
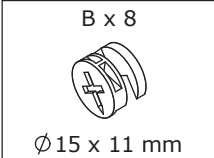
Insert back plates 35, 34 and 33 along the available grooves, then secure them to plates 7, 8 and 10 using screw (U).

11



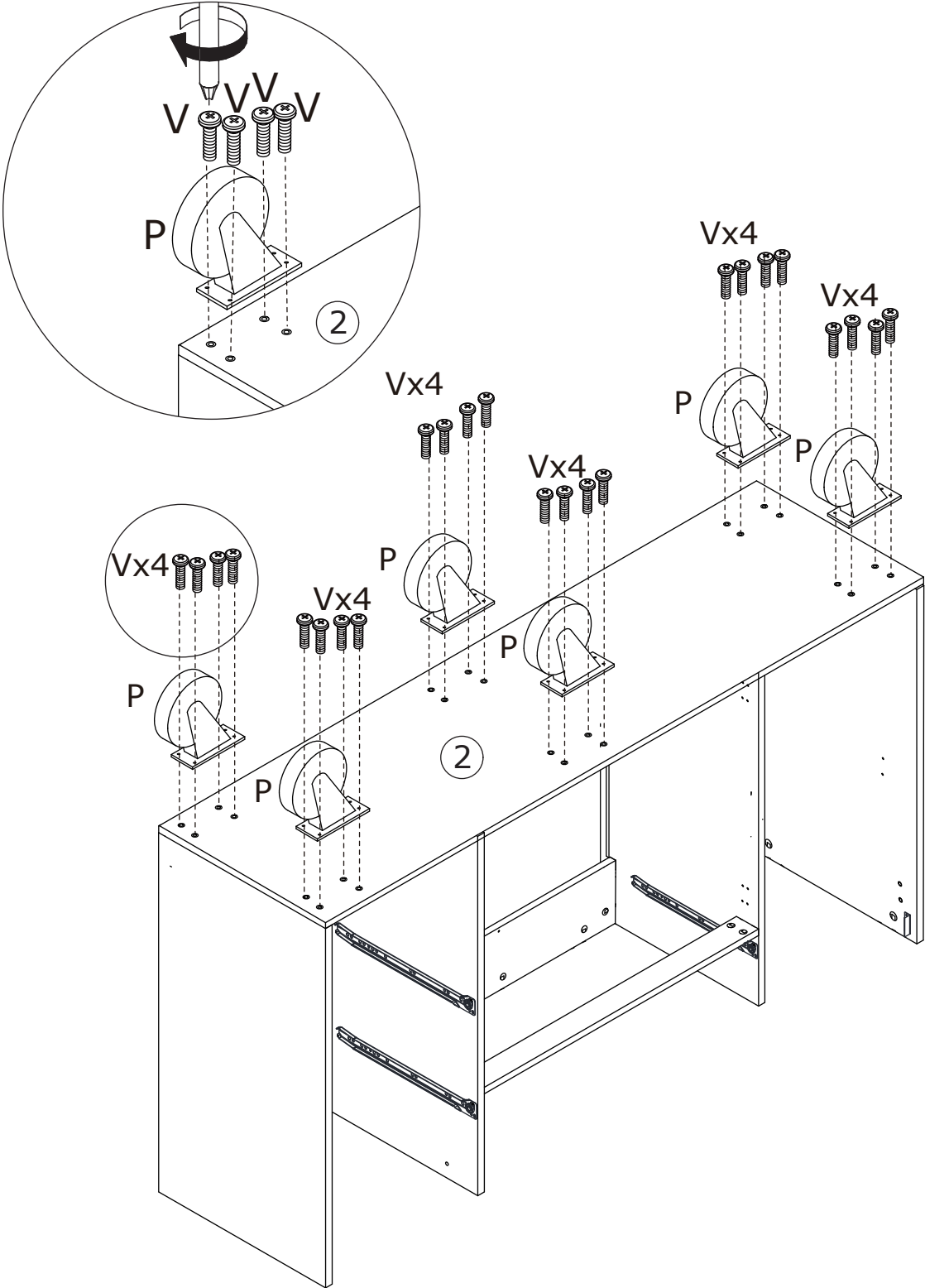
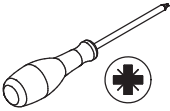
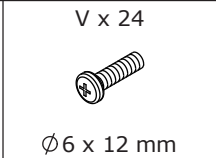
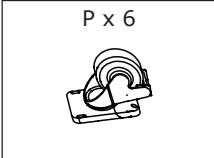
Screw eccentric rod (A) into plate 2.

12



Connect plate 2 to plates 3, 4, 5 and 6 using wooden dowel (C), add the eccentric pulley (B) and tighten it clockwise.

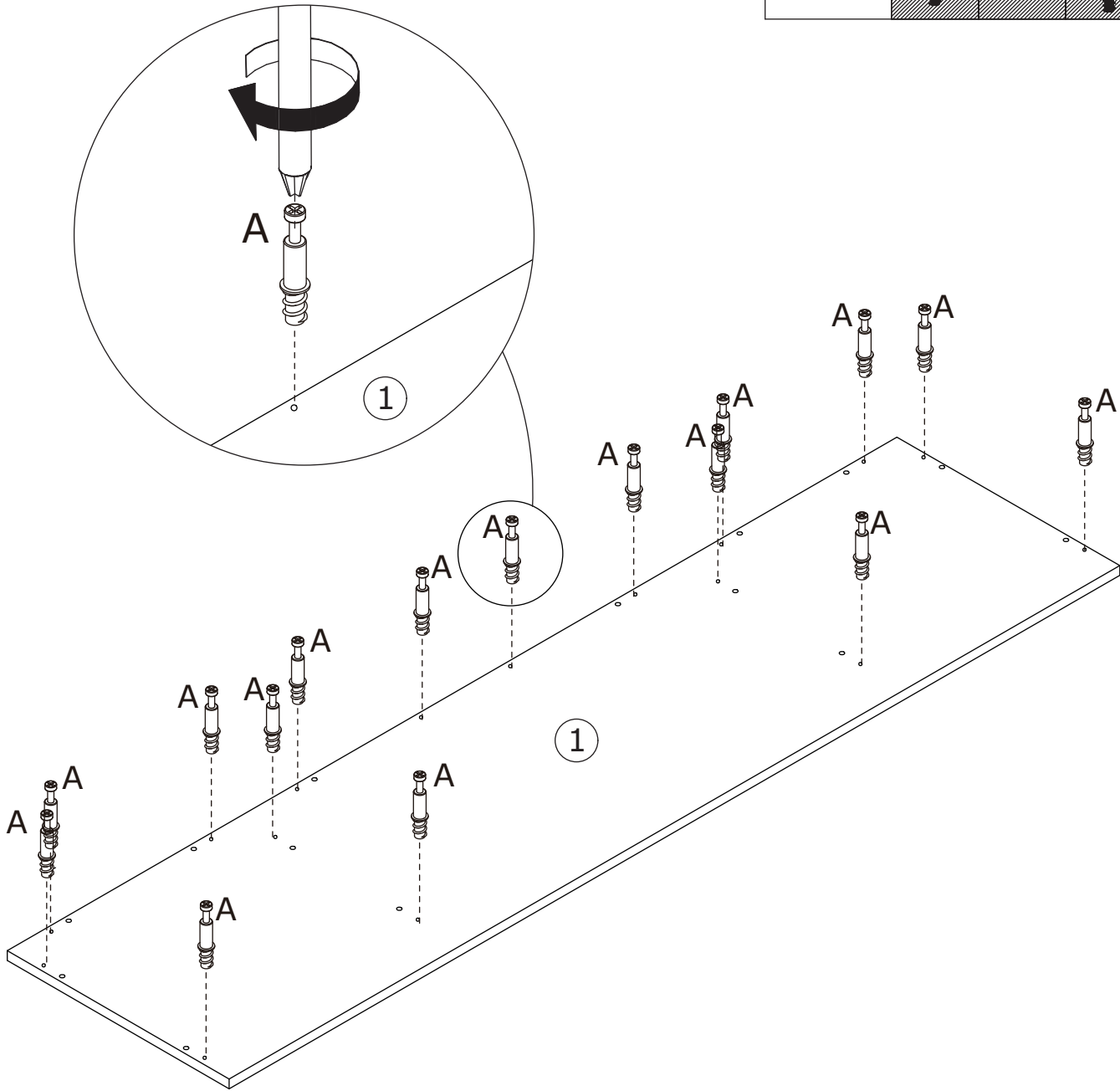
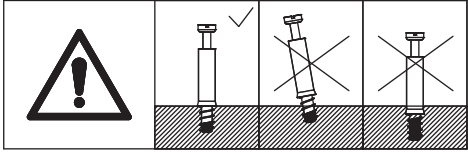
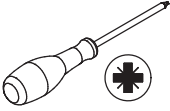
13



Secure swivel caster (P) to plate 2 using screw (V).

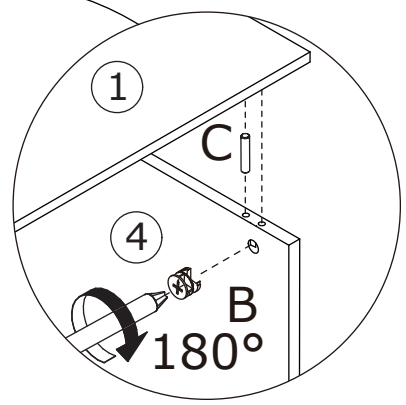
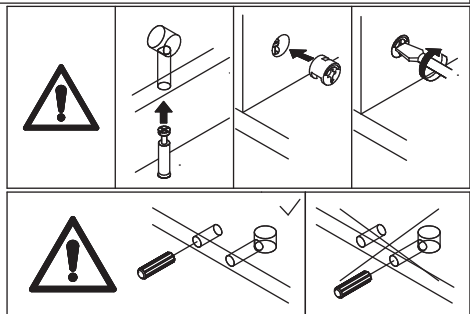
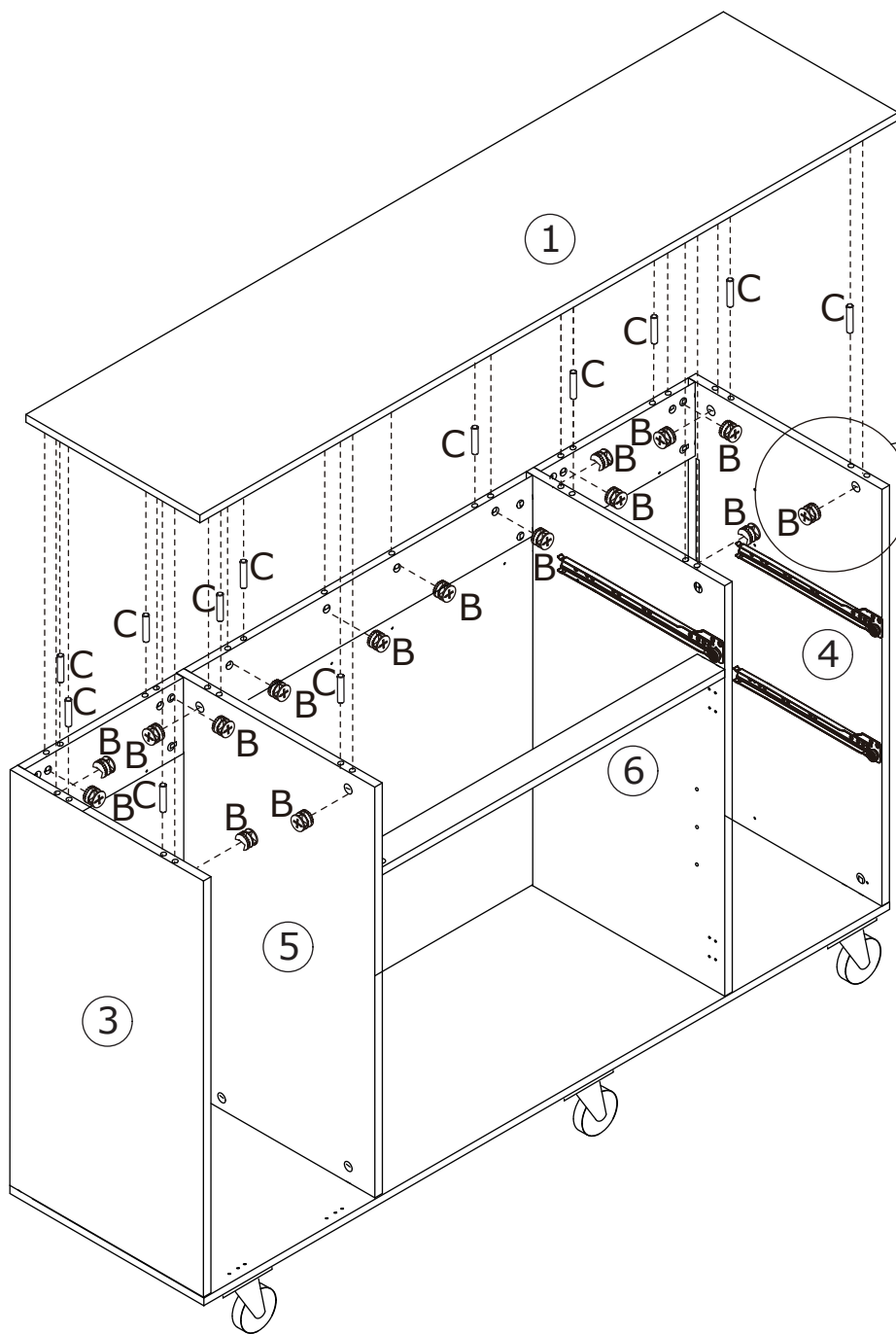
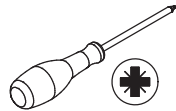
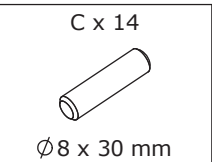
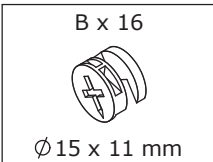
14

A x 16
Ø6 x 35 mm



Screw eccentric rod (A) into plate 1.

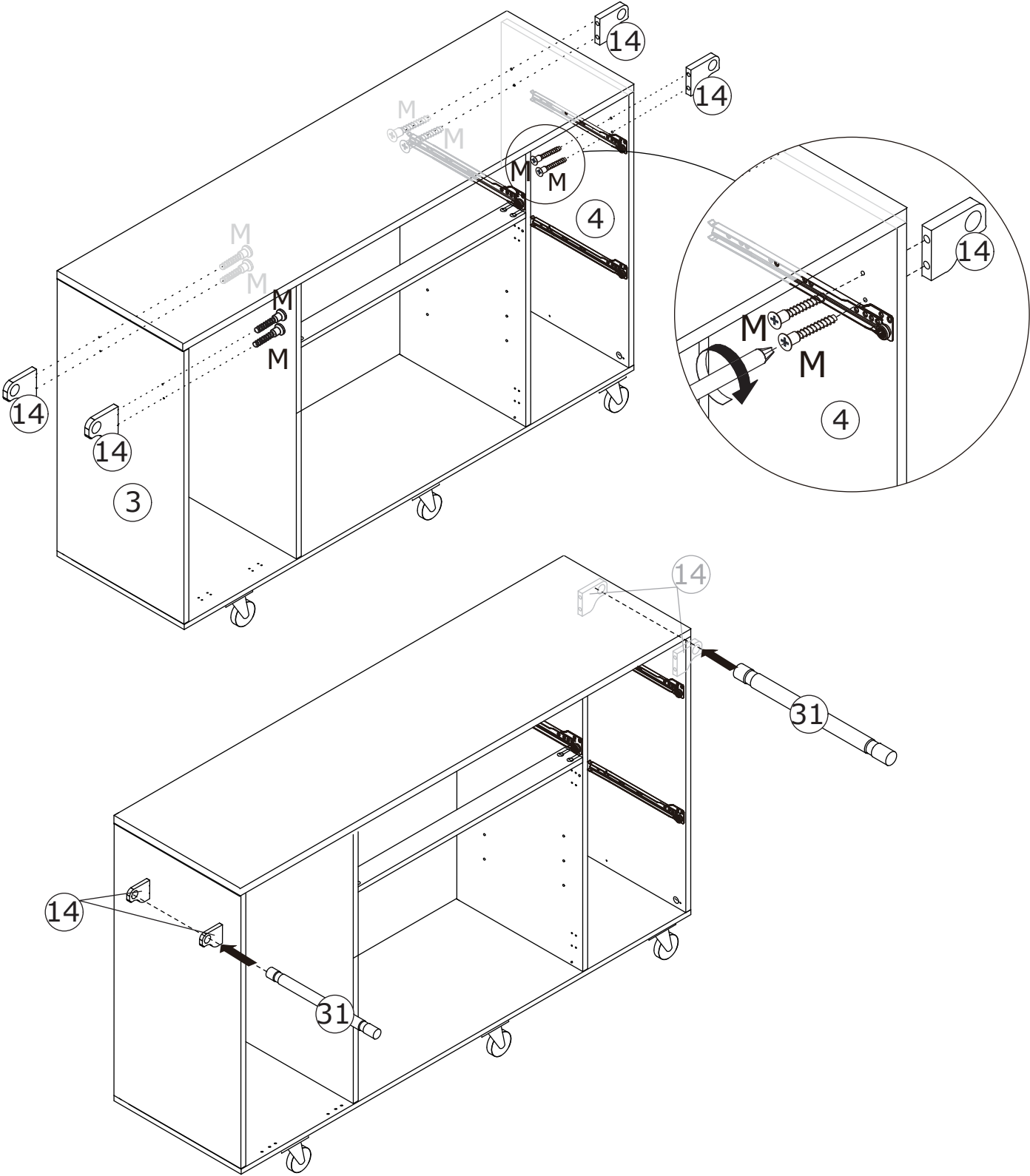
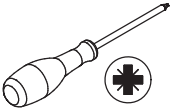
15



Connect plate 1 to plates 3, 4, 5, and 6 using wooden dowel (C), add the eccentric pulley (B) and tighten it clockwise.

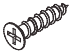
16

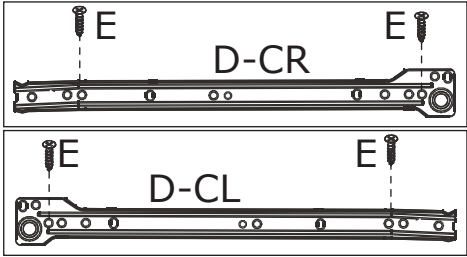
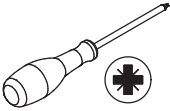
M x 8
Ø5 x 40 mm



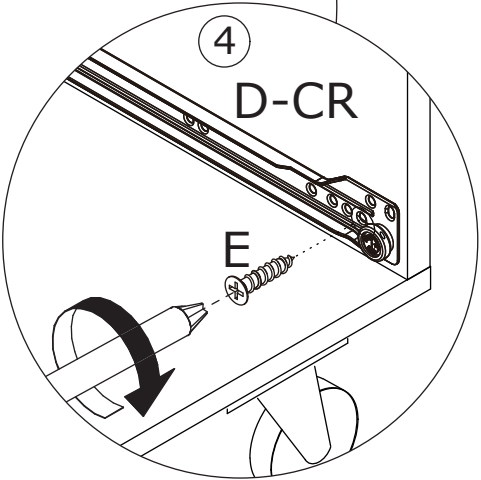
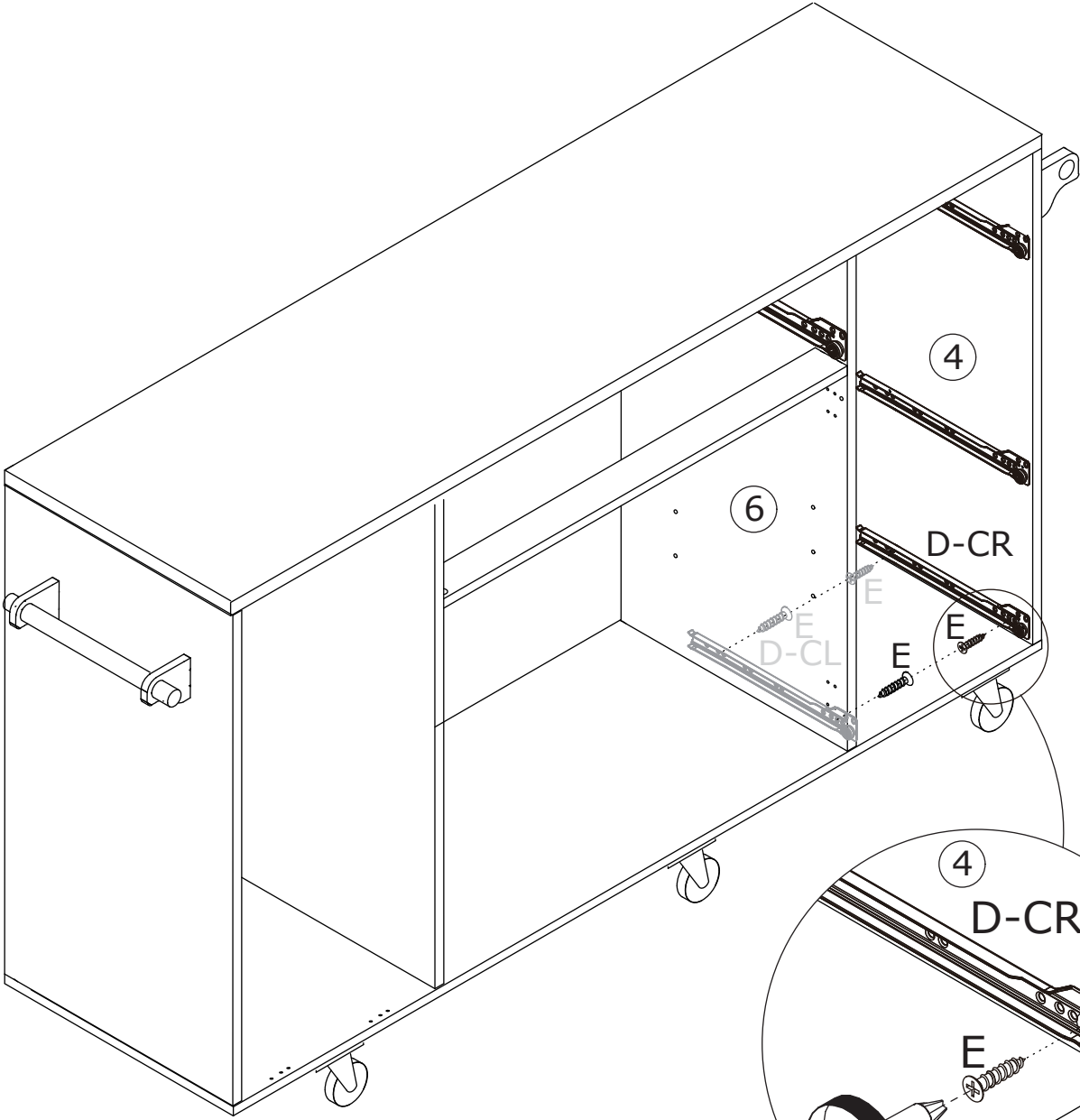
Secure plate 14 to plates 3 and 4 using screw (M).
Insert part 31 into the hole of plate 14.

17

D x 1 CR CL L = 300 mm	E x 4  Ø3 x 12 mm
---------------------------------	--

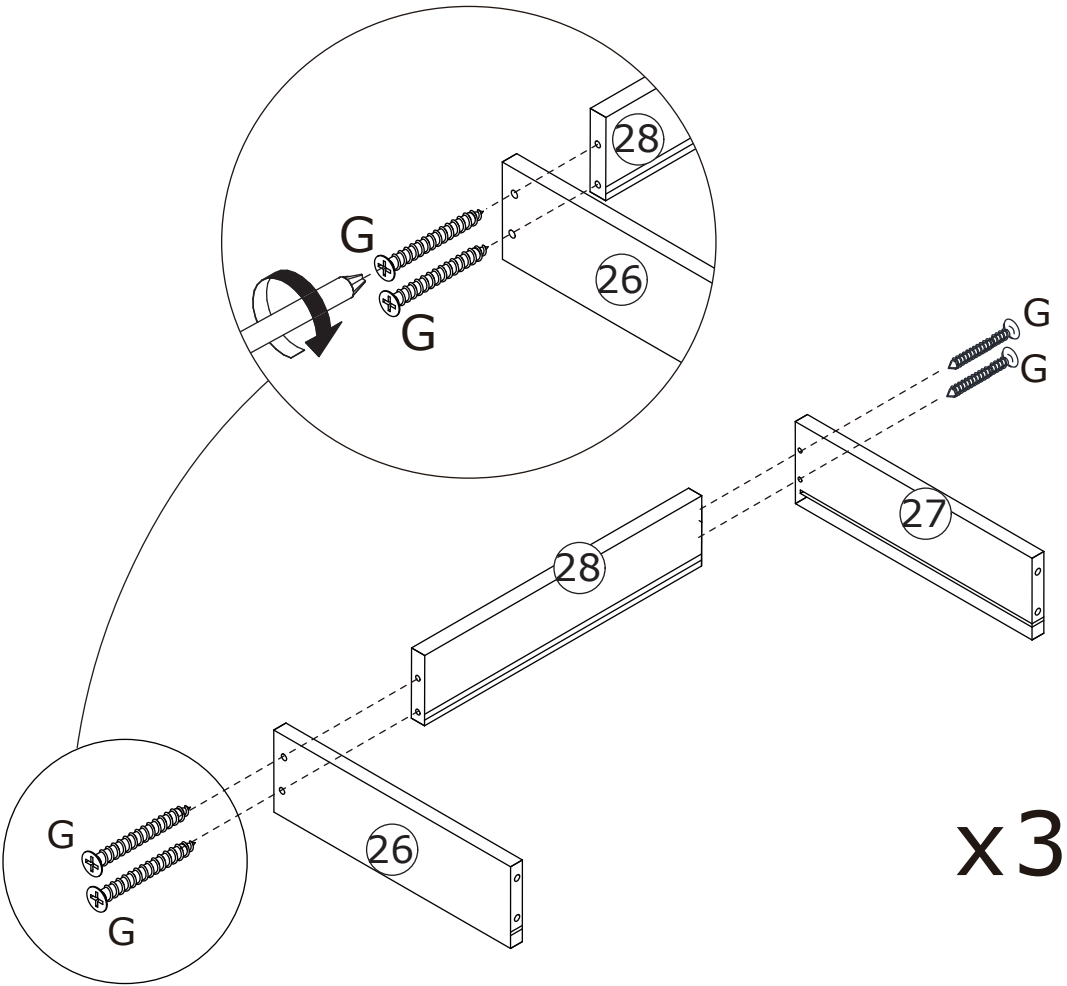
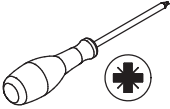


Secure slide rail (D-CR) and (D-CL) to plates 4 and 6, respectively, using screw (E).



18

G x 12
Ø4 x 30 mm

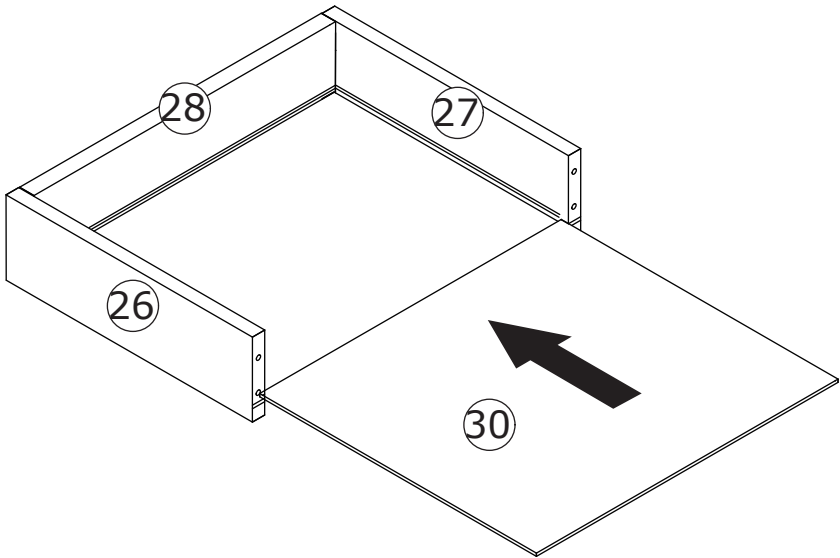


Secure plates 26 and 27 to plate 28 using screw (G).

19



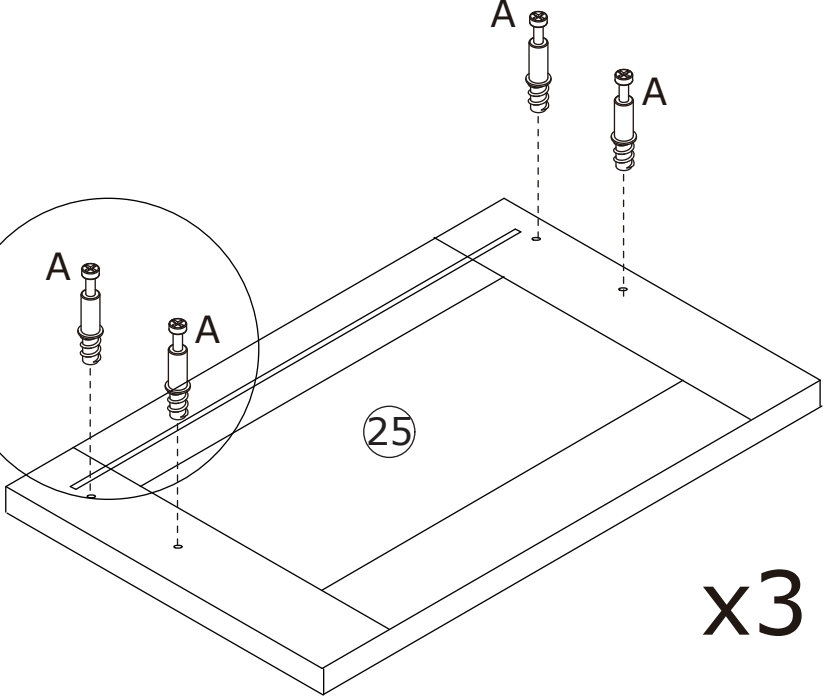
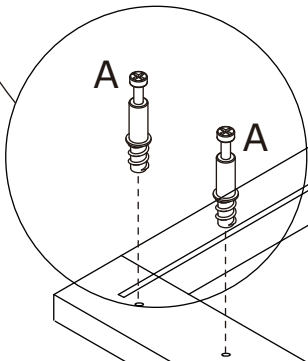
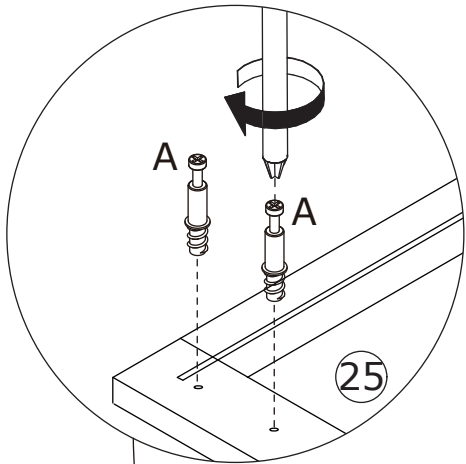
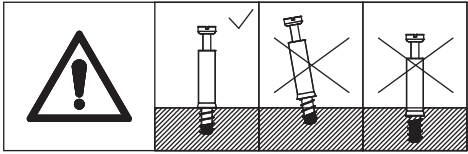
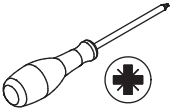
Insert plate 30 into the available slots.



x3

20




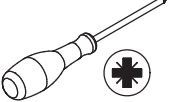
A x 12
Ø6 x 35 mm

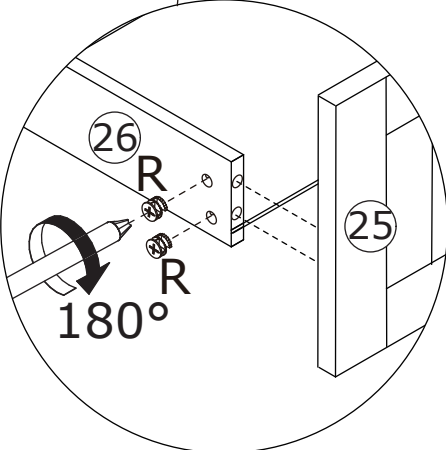
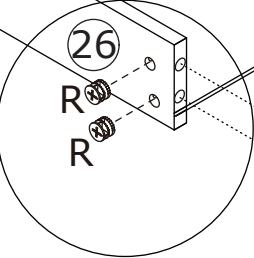
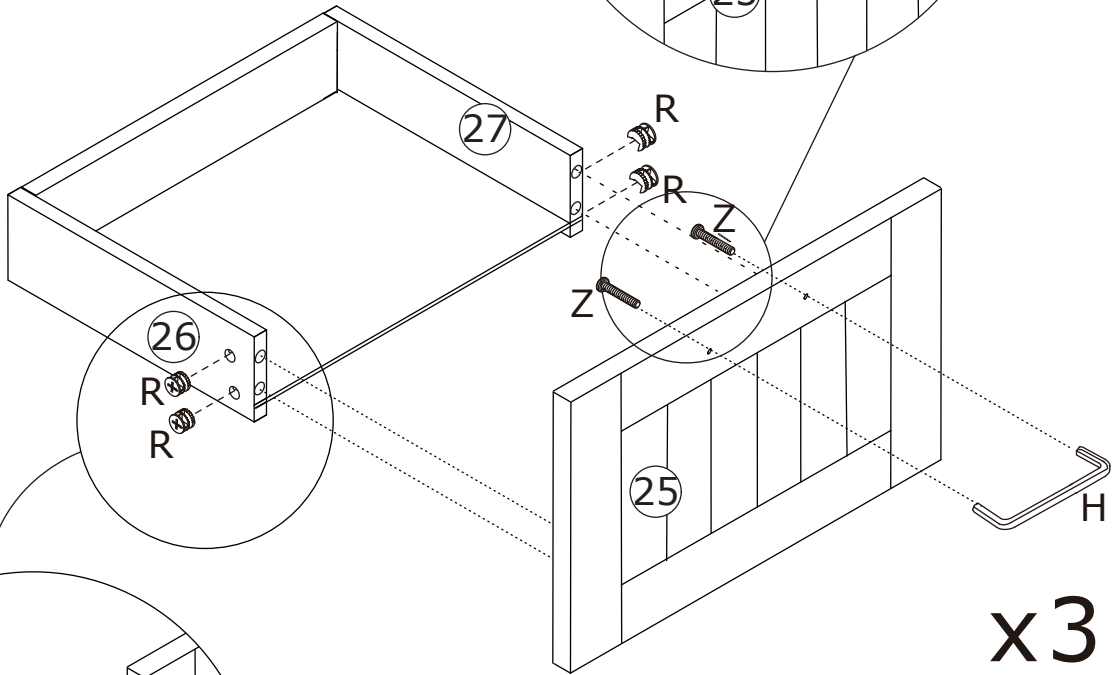
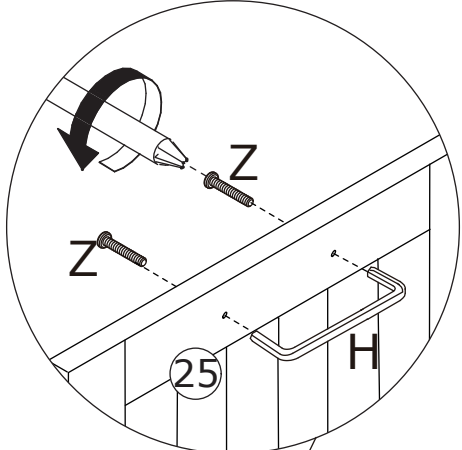
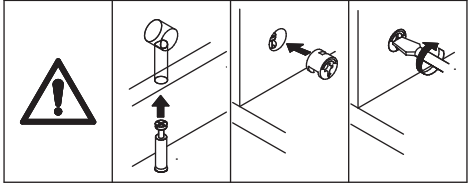


x3

Screw eccentric rod (A) into plate 25.


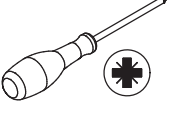
21

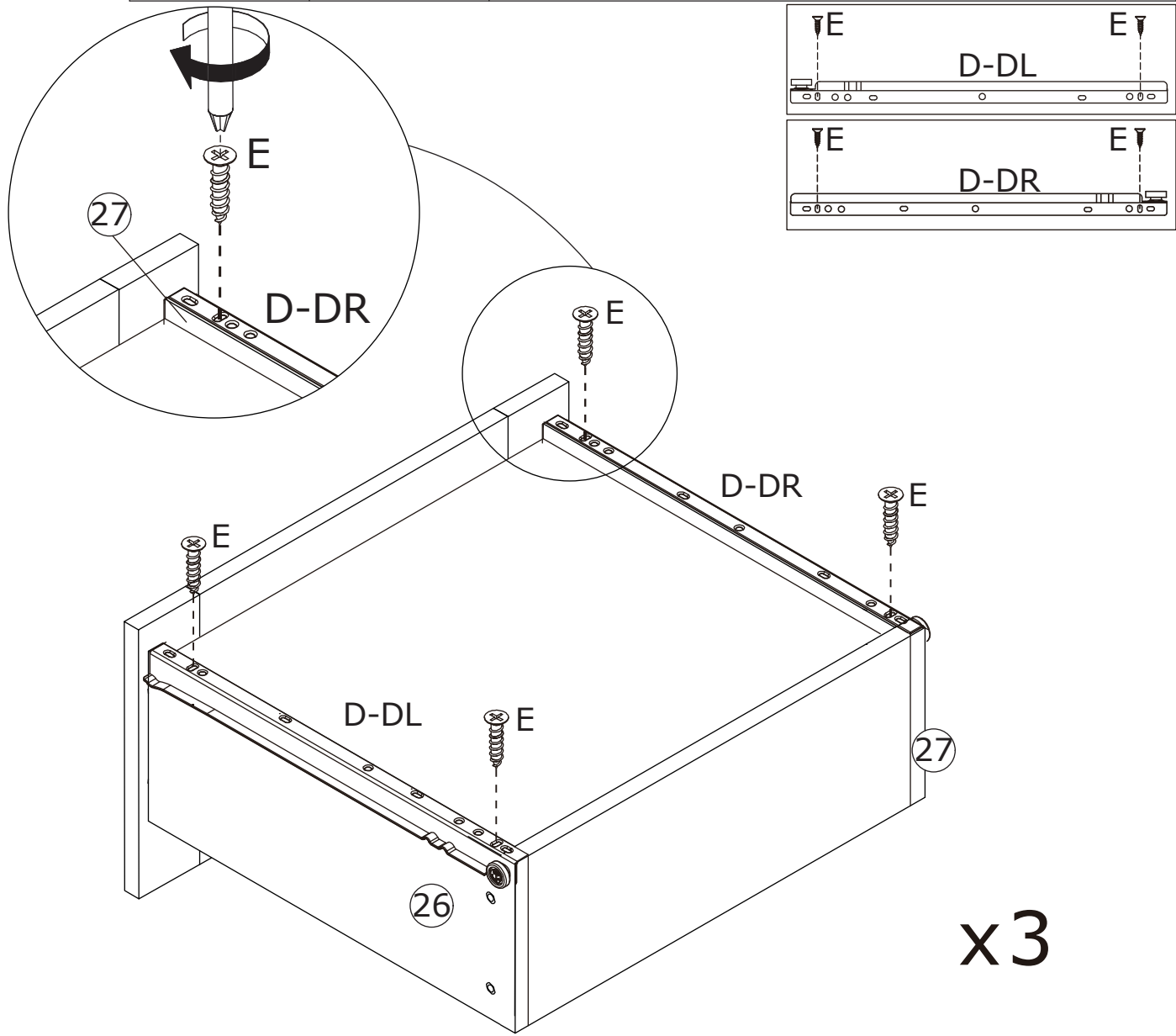
R x 12  Ø 15 x 11 mm	H x 3  Ø 4 x 18 mm	Z x 6  Ø 4 x 18 mm	
---	---	---	---



Secure handle (H) to plate 25 using screw (Z).
Attach plates 26 and 27 to plate 25, add the eccentric pulley (R) and tighten it clockwise.

22

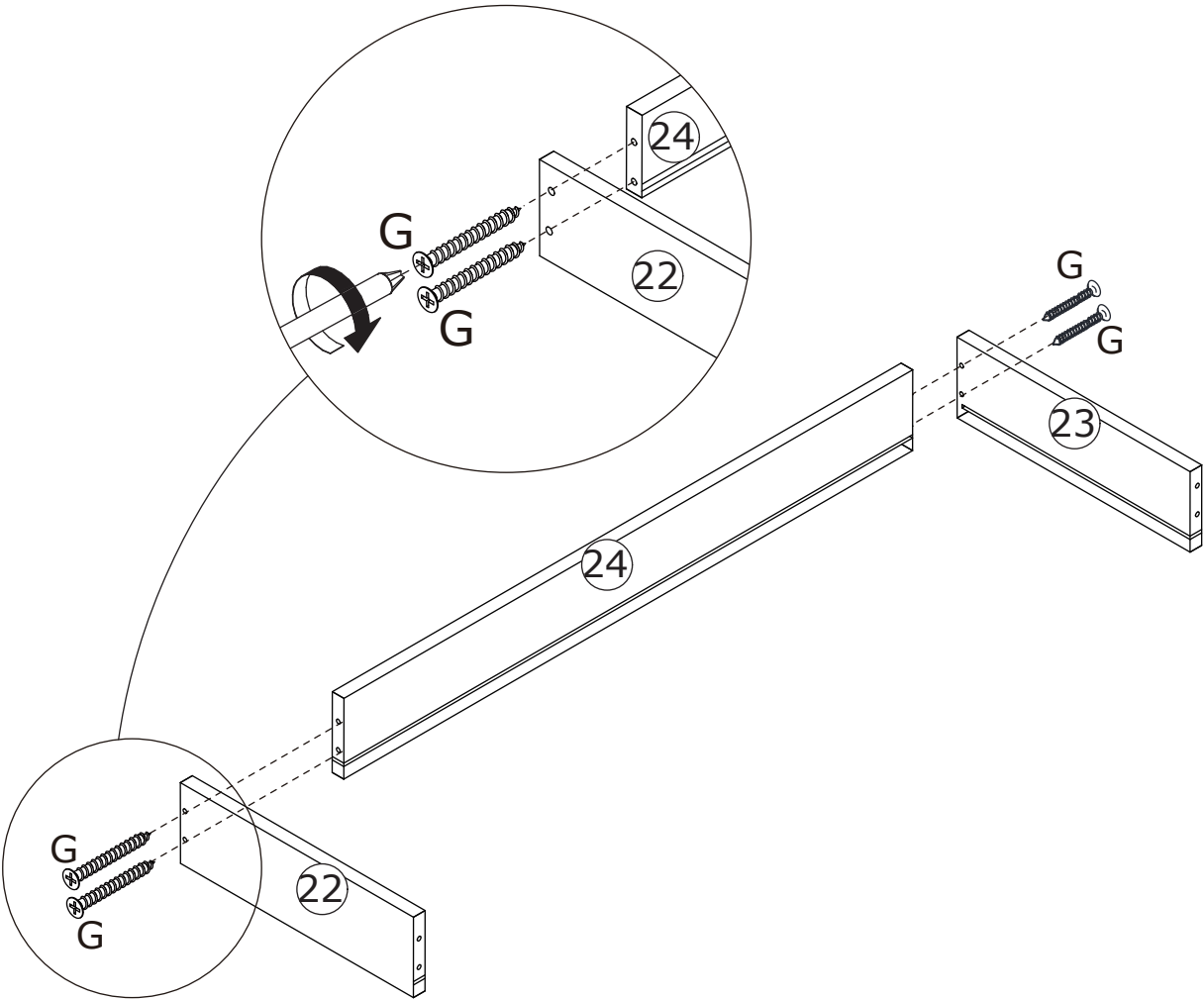
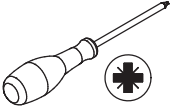
D x 3 DL DR L = 300 mm	E x 12  Ø 3 x 12 mm	
---------------------------------	--	---



Secure slide rail (D-DR) and (D-DL) to plates 27 and 26, respectively, using screw (E).

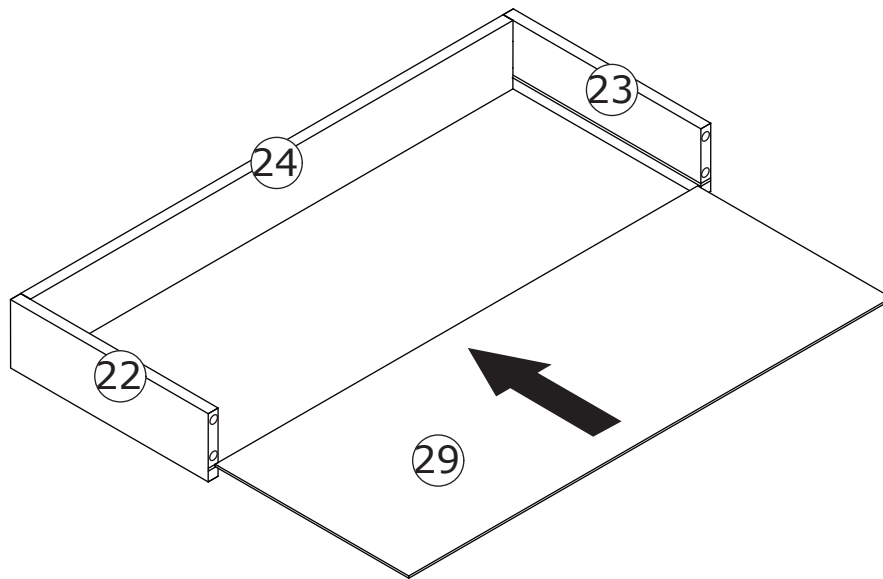
23

G x 4
Ø4 x 30 mm



Secure plates 22 and 23 to plate 24 using screw (G).

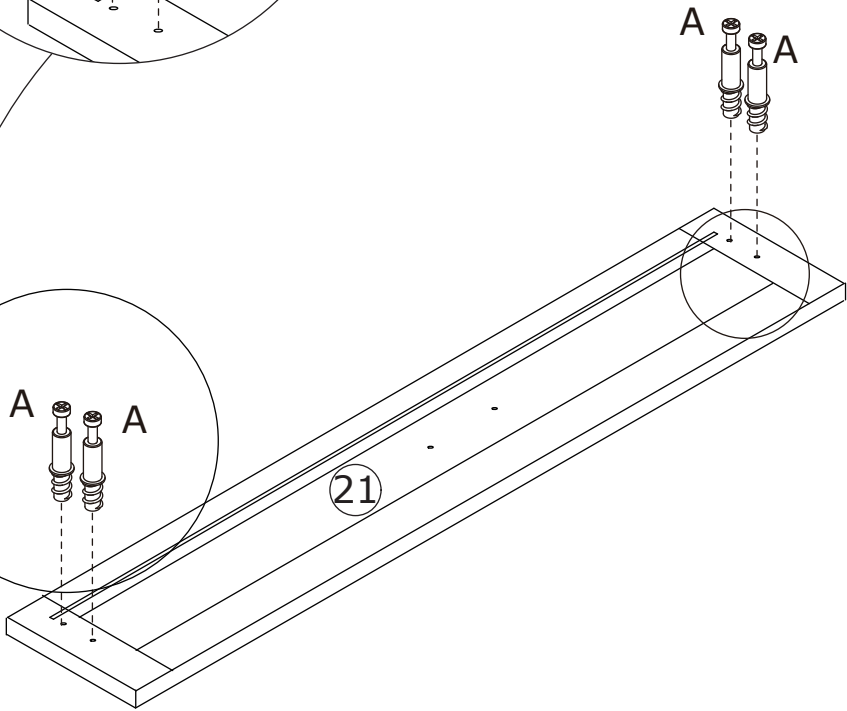
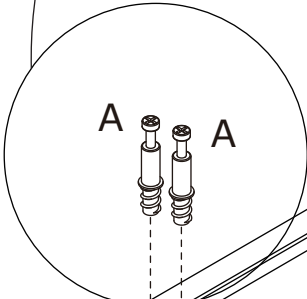
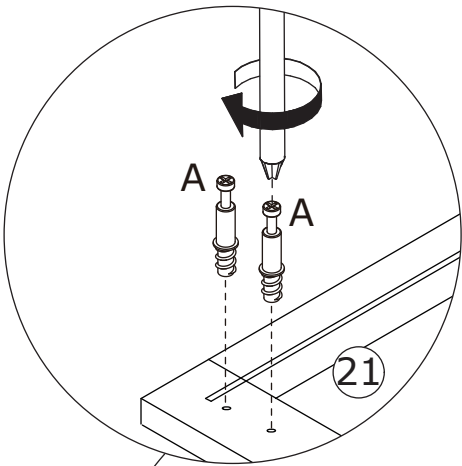
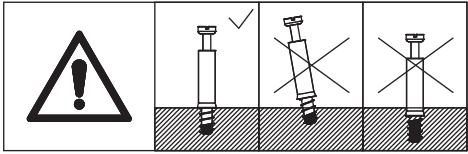
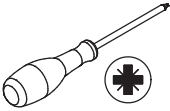
24



Insert plate 29 into the available slots.




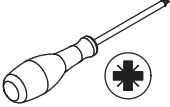
25

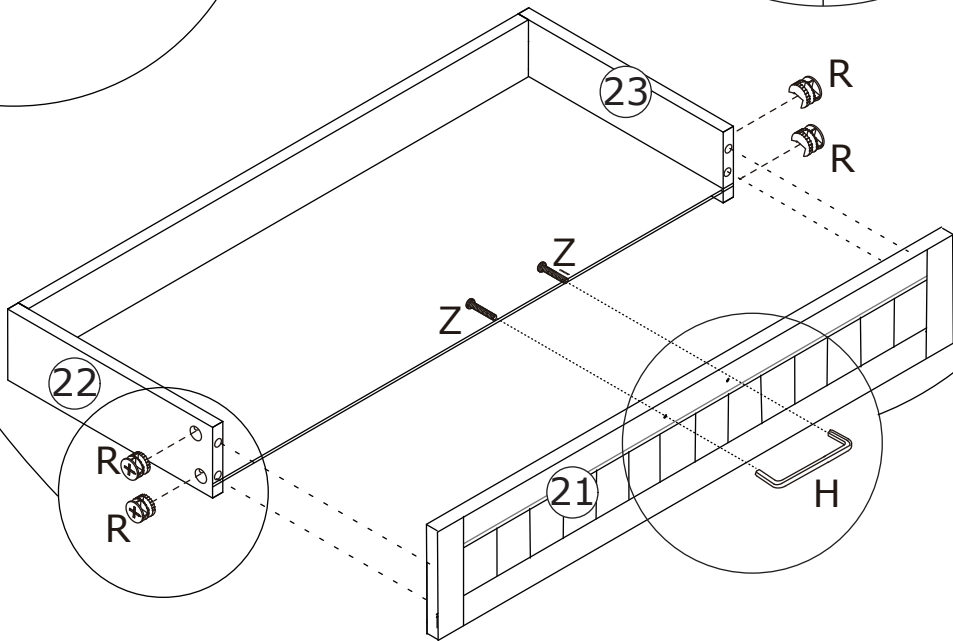
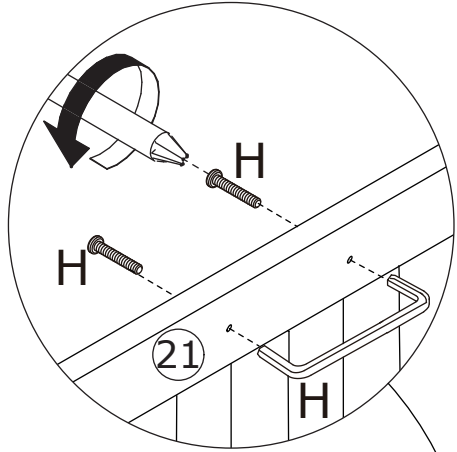
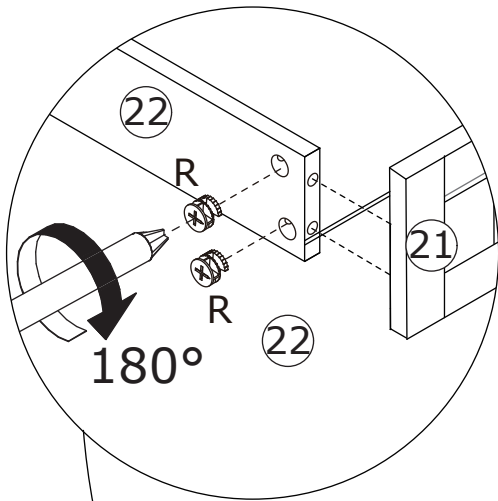
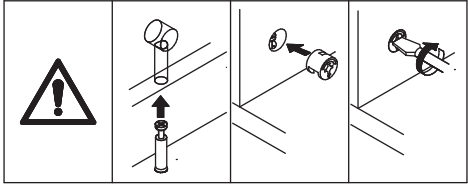
A x 4
Ø6 x 35 mm



Screw eccentric rod (A) into plate 21.

26

R x 4  Ø 15 x 9.5 mm	H x 1  Ø 4 x 18 mm	Z x 2  Ø 4 x 18 mm	
---	---	---	---

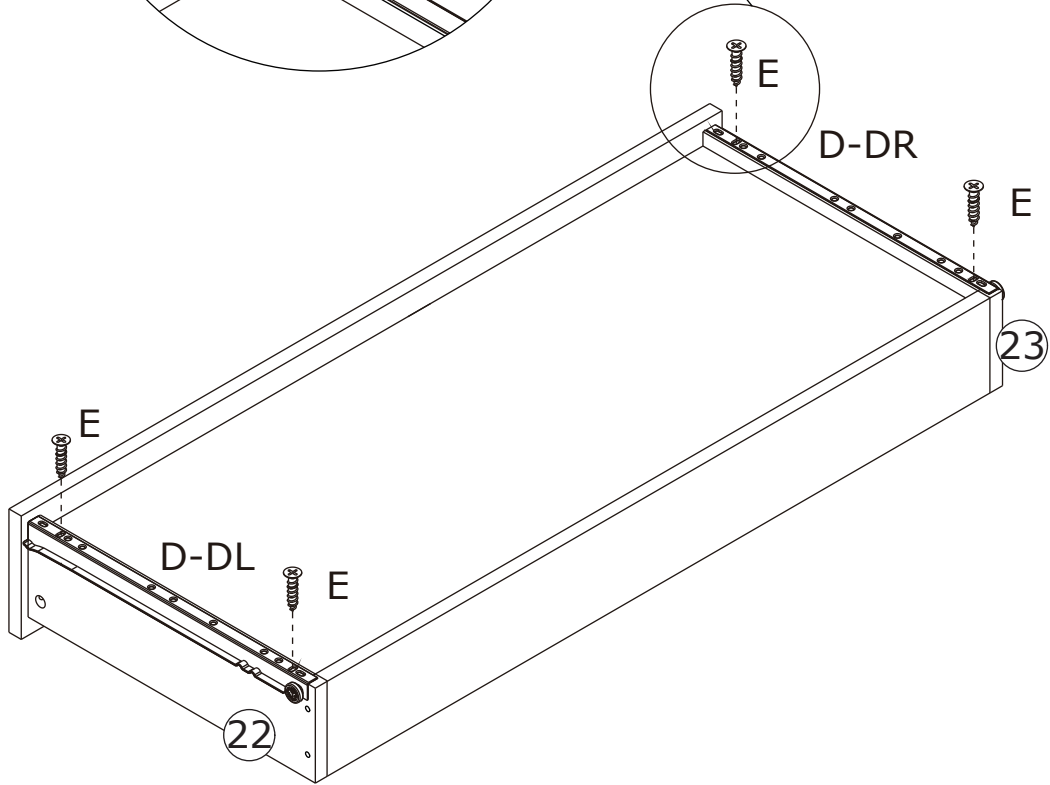
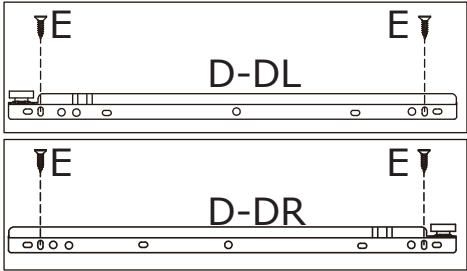
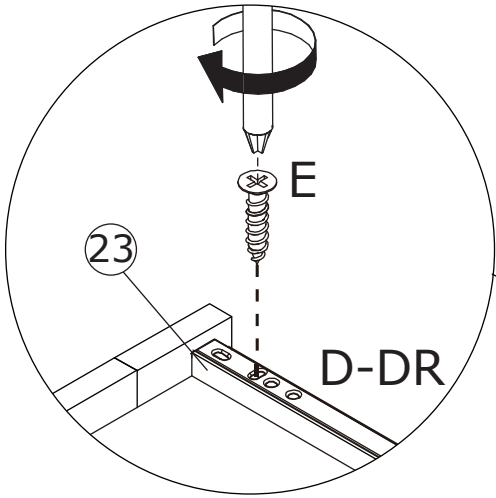
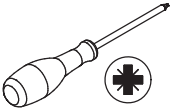


Secure handle (H) to plate 21 using screw (Z).
Attach plates 22 and 23 to plate 21, add the eccentric pulley (R) and tighten it clockwise.

27

D x 1
DL
DR
L = 300 mm

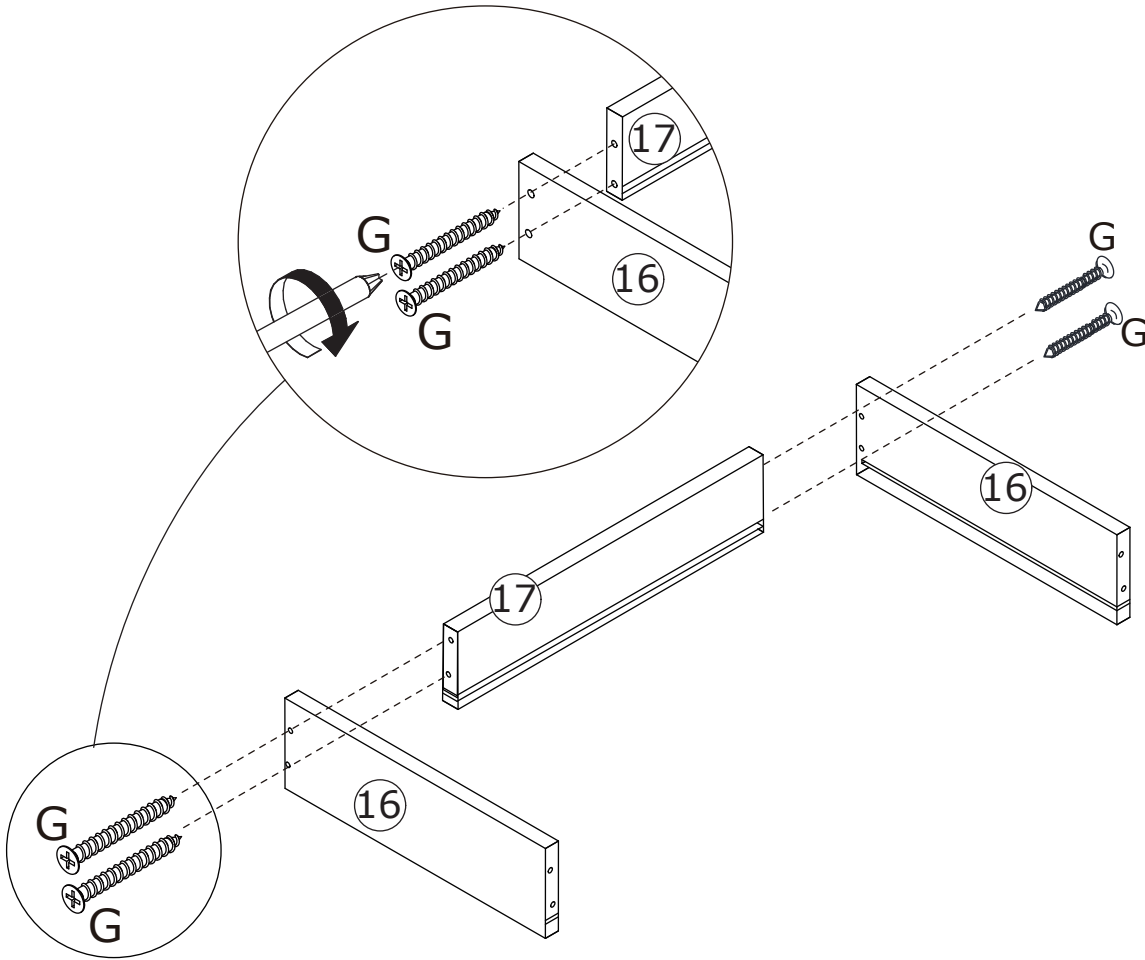
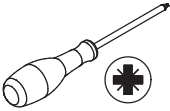
E x 4
Ø 3 x 12 mm



Secure slide rail (D-DR) and (D-DL) to plates 23 and 22, respectively, using screw (E).

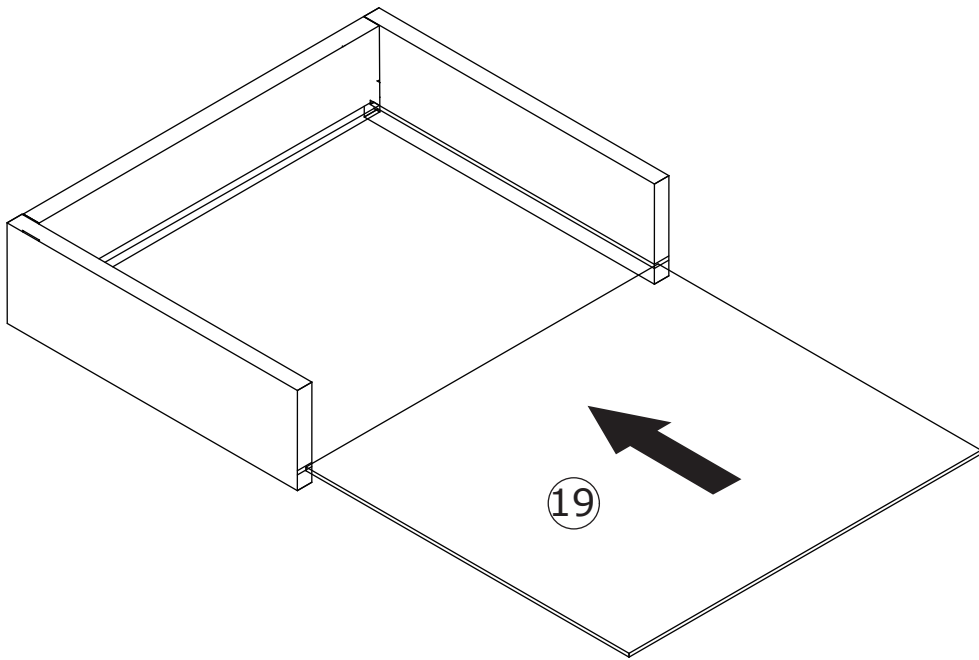
28

G x 4
Ø4 x 30 mm




Secure plate 16 to plate 17 using screw (G).

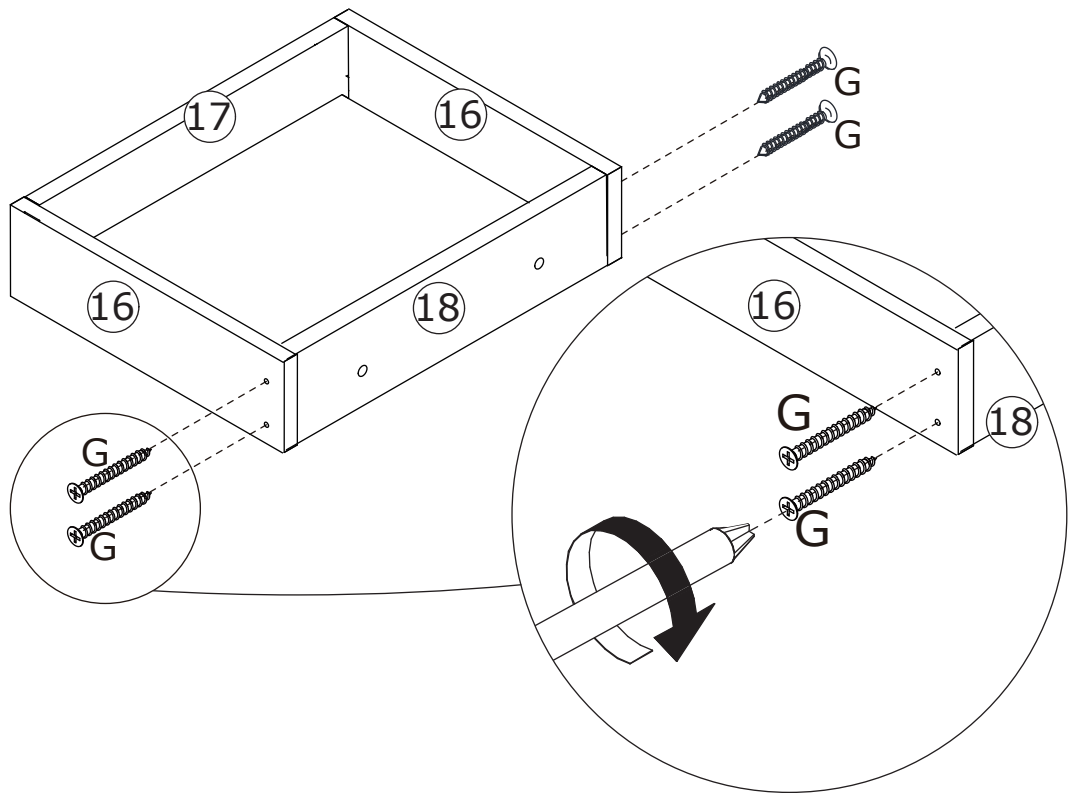
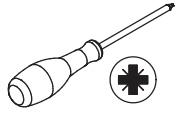
29



Insert plate 19 into the available slots.

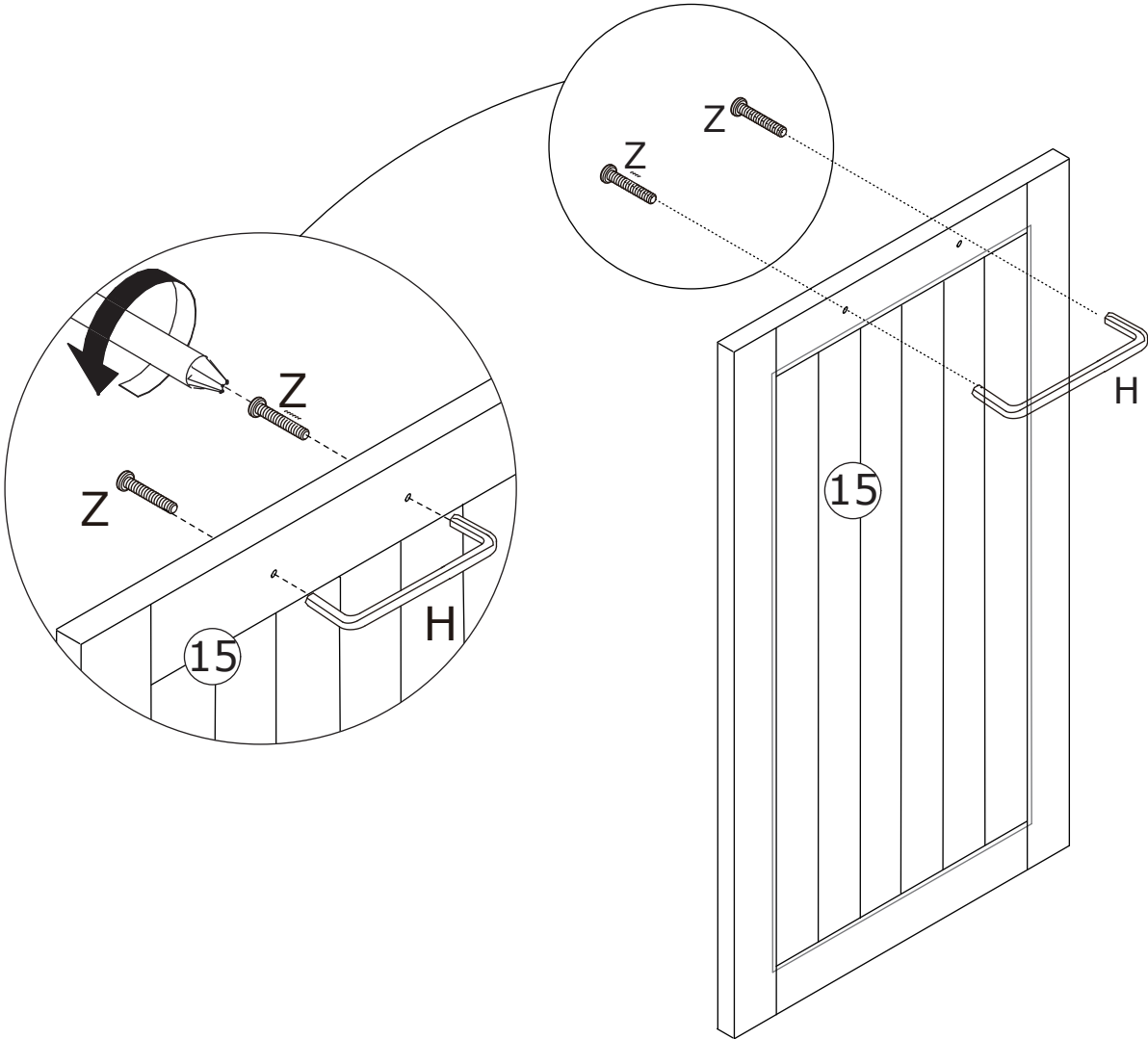
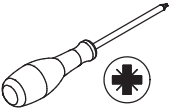
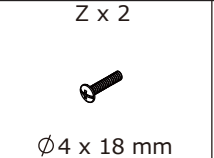
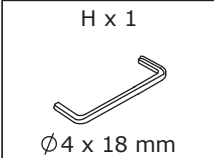
30

G x 4

Ø4 x 30 mm



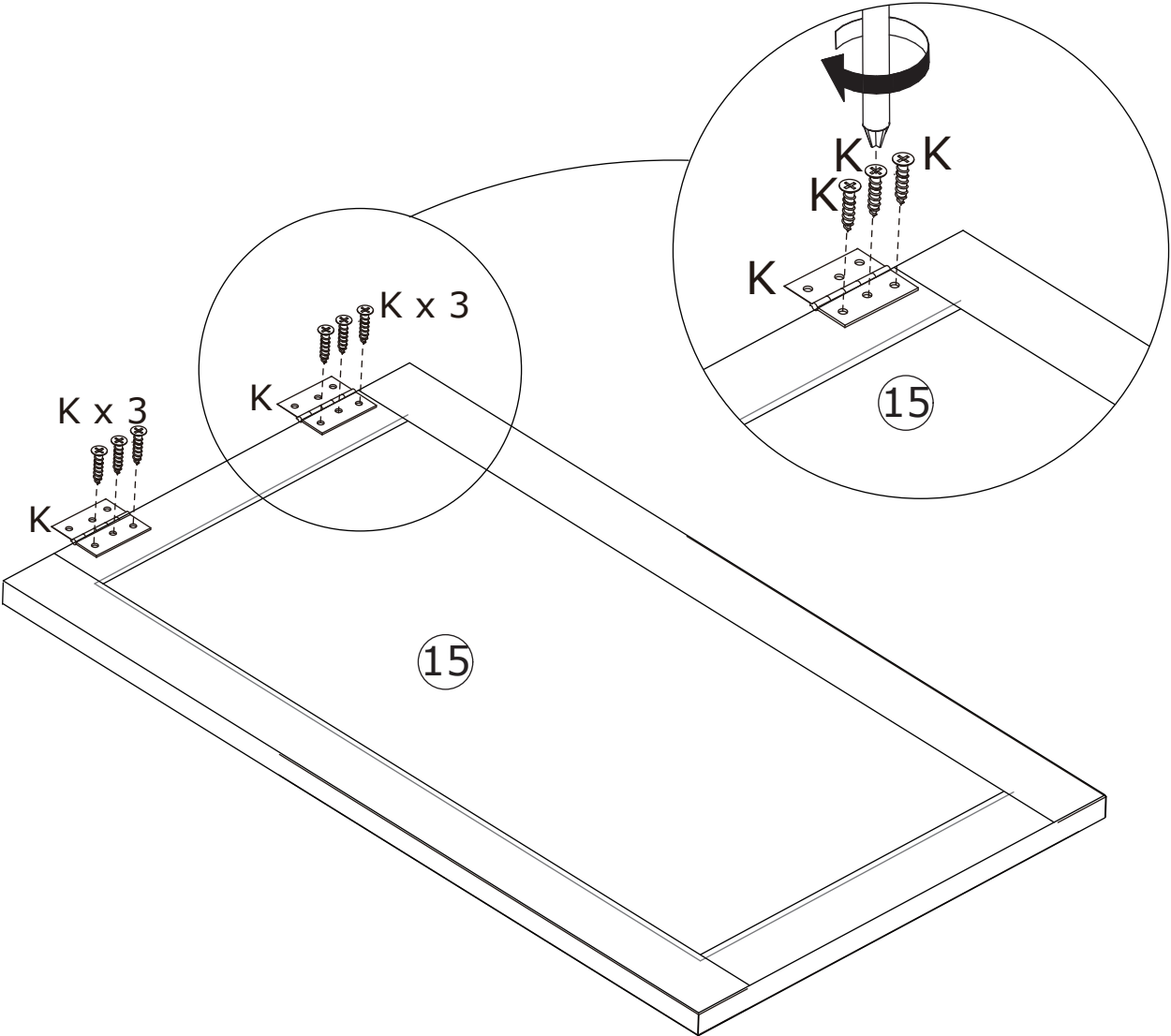
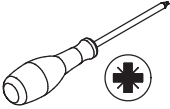
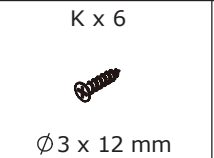
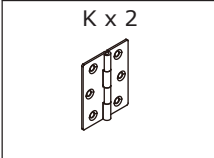
Secure plate 16 to plate 18 using screw (G).

31



Secure handle (H) to plate 15 using screw (Z).

32



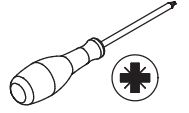
Secure hinge (K) to plate 15 using screw (K).

33

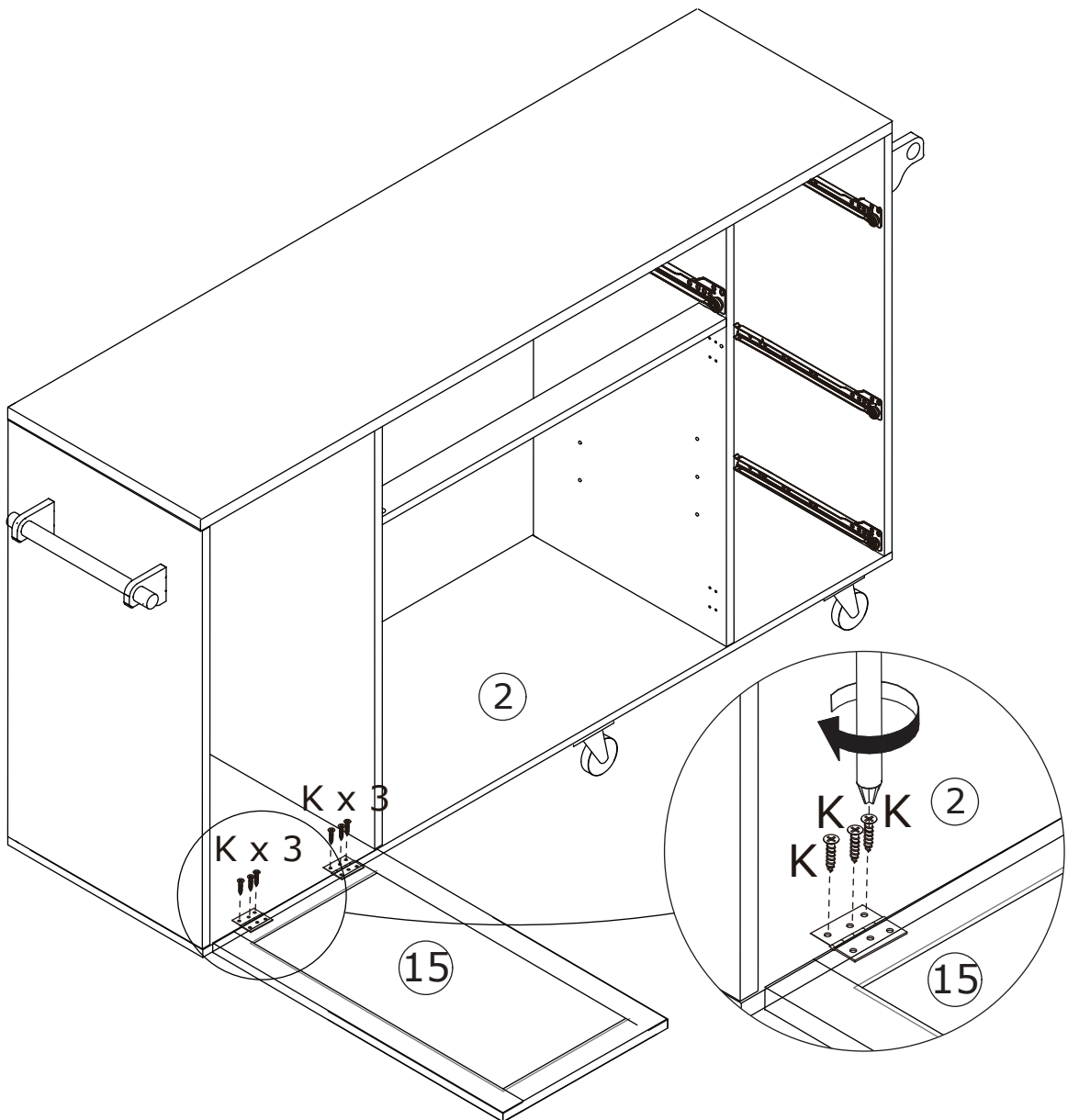
K x 6



Ø3 x 12 mm



Secure hinges to plate 2 using screw (K).

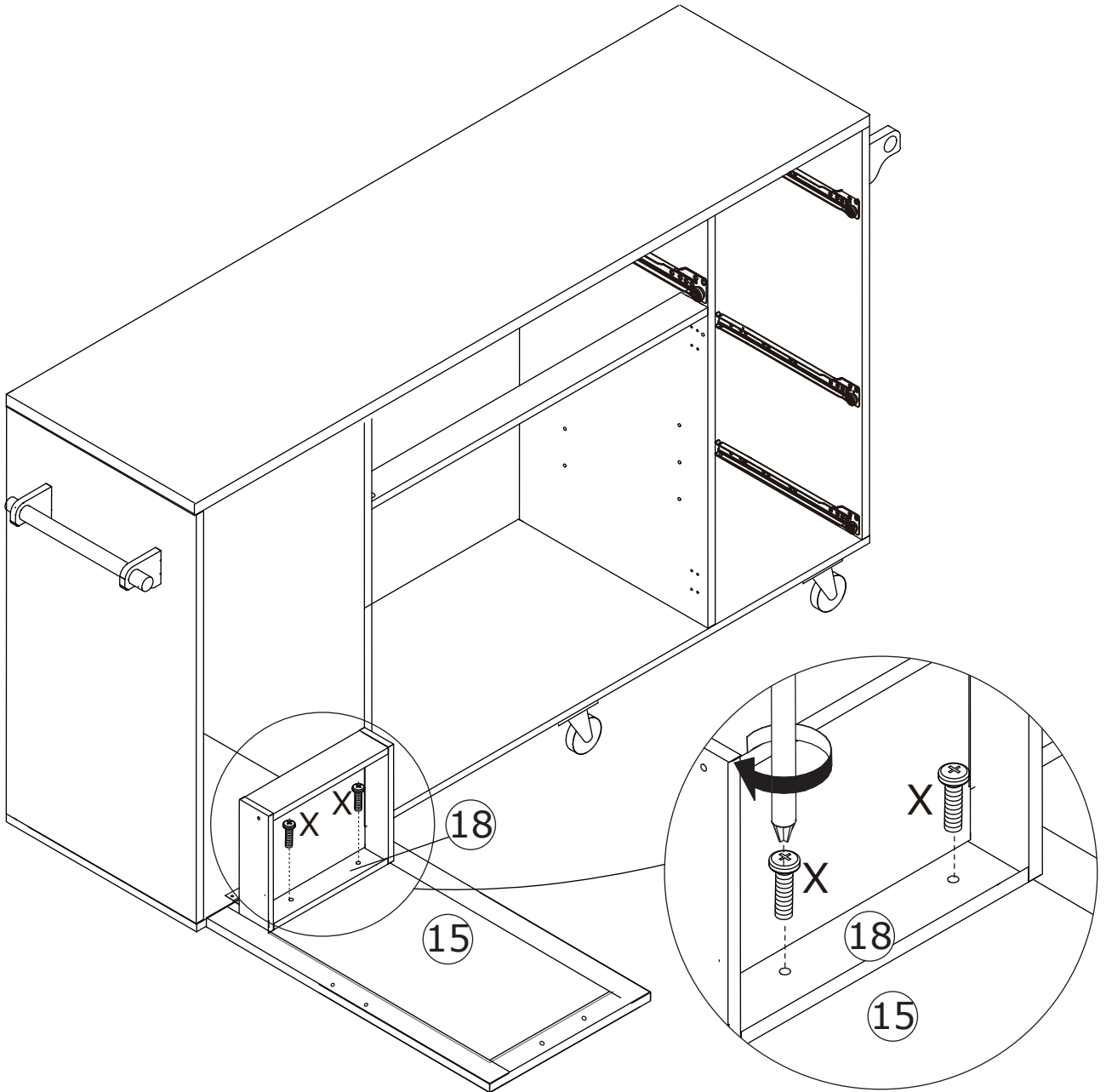
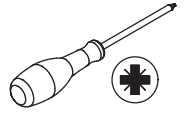


34

X x 2



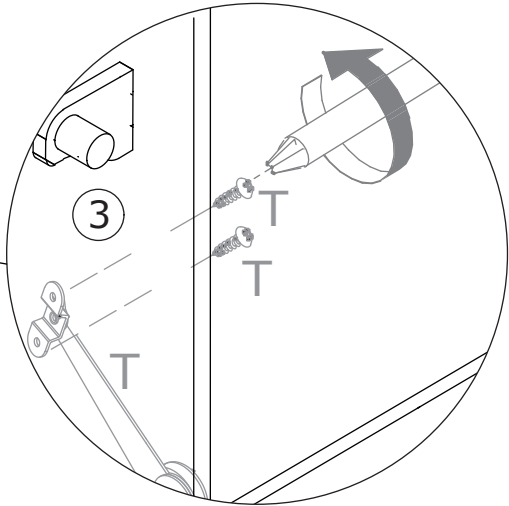
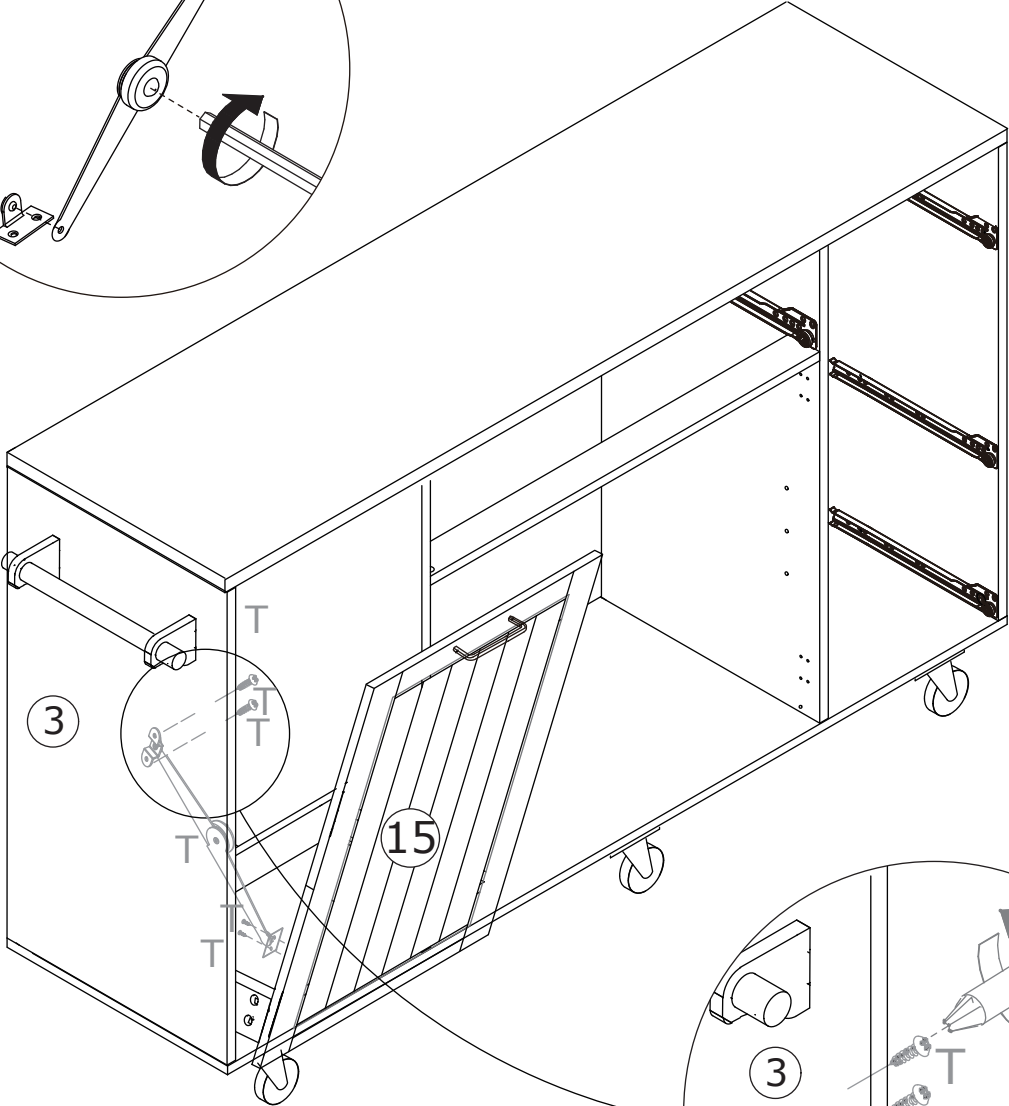
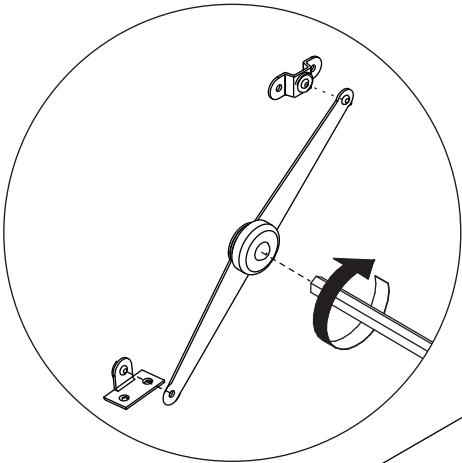
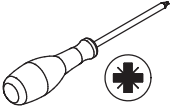
Ø6 x 20 mm



Secure plate 18 to plate 15 using screw (X).

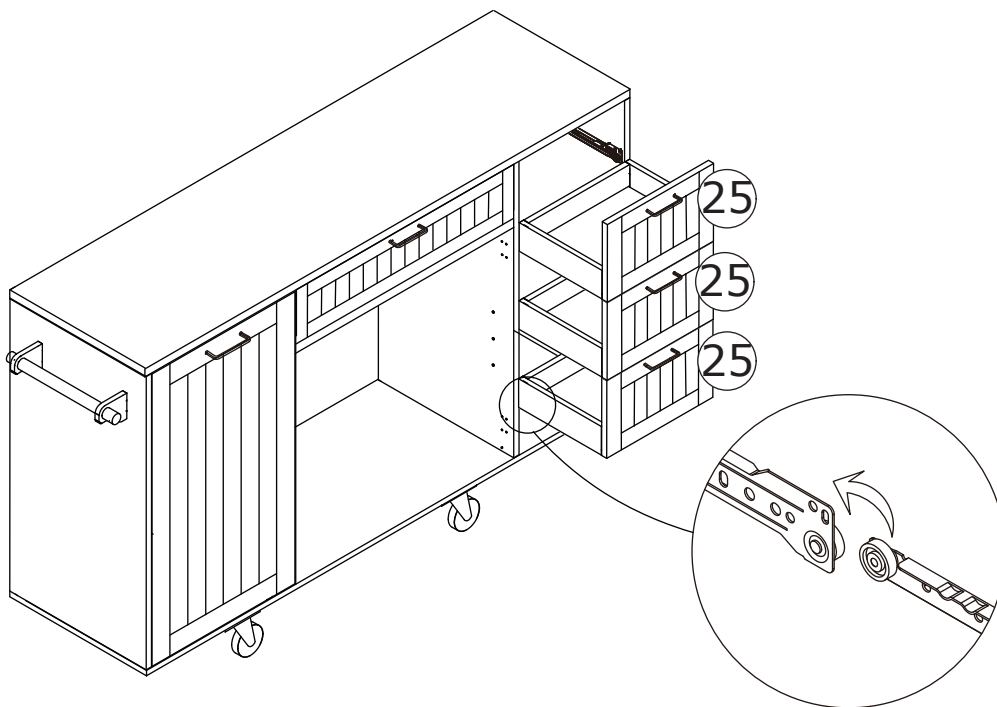
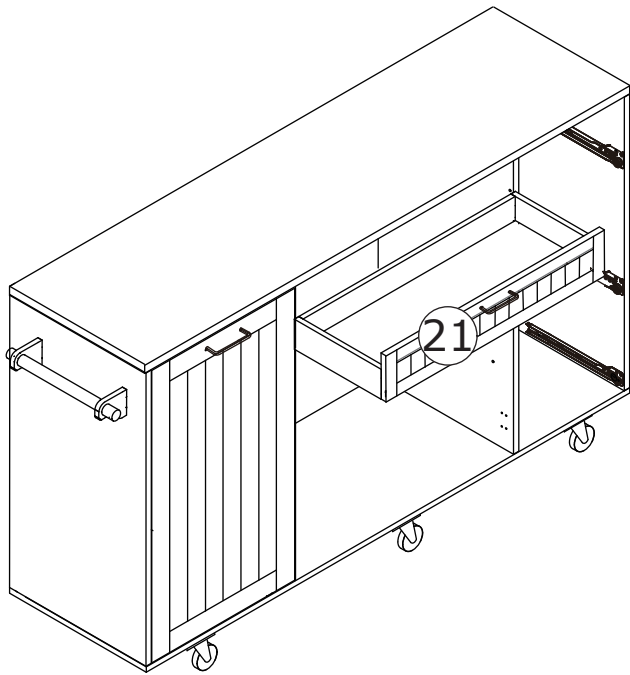
35

T x 1
Ø3 x 12 mm







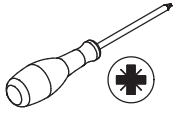
First assemble the component (T) as shown in the diagram, then secure it to plates 3 and 15 using screw (T).

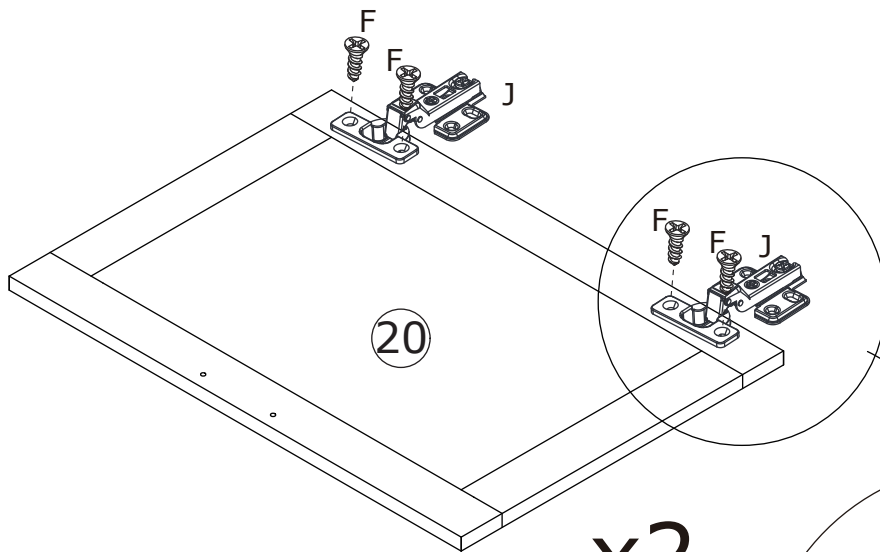
36



Align the guide rails and insert all drawers.

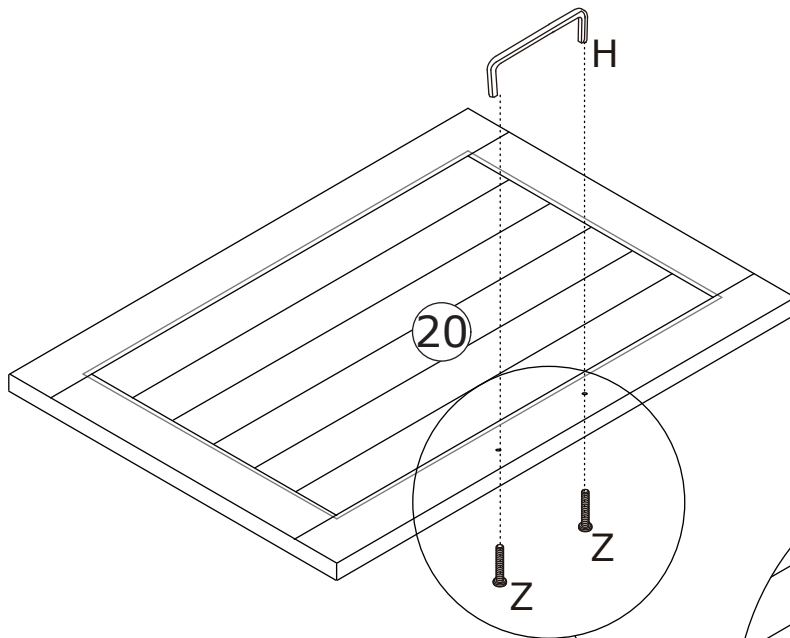
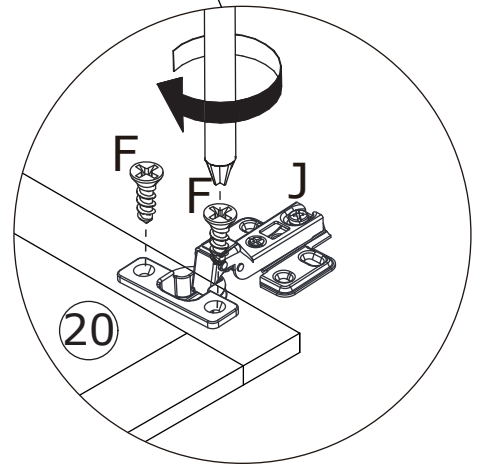
37

J x 4 	F x 8  Ø3.5 x 14 mm	H x 2  Ø4 x 18 mm	Z x 4  Ø4 x 18 mm	
--	--	--	---	---

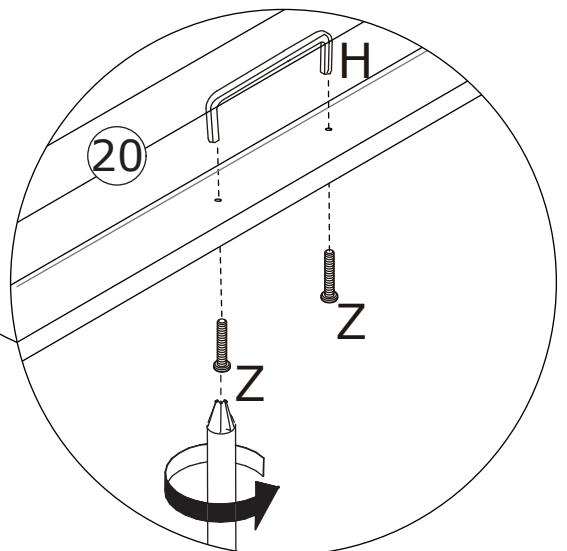


x2

Secure hinge (J) to plate 20 using screw (F).
Secure handle (H) to plate 20 using screw (Z).

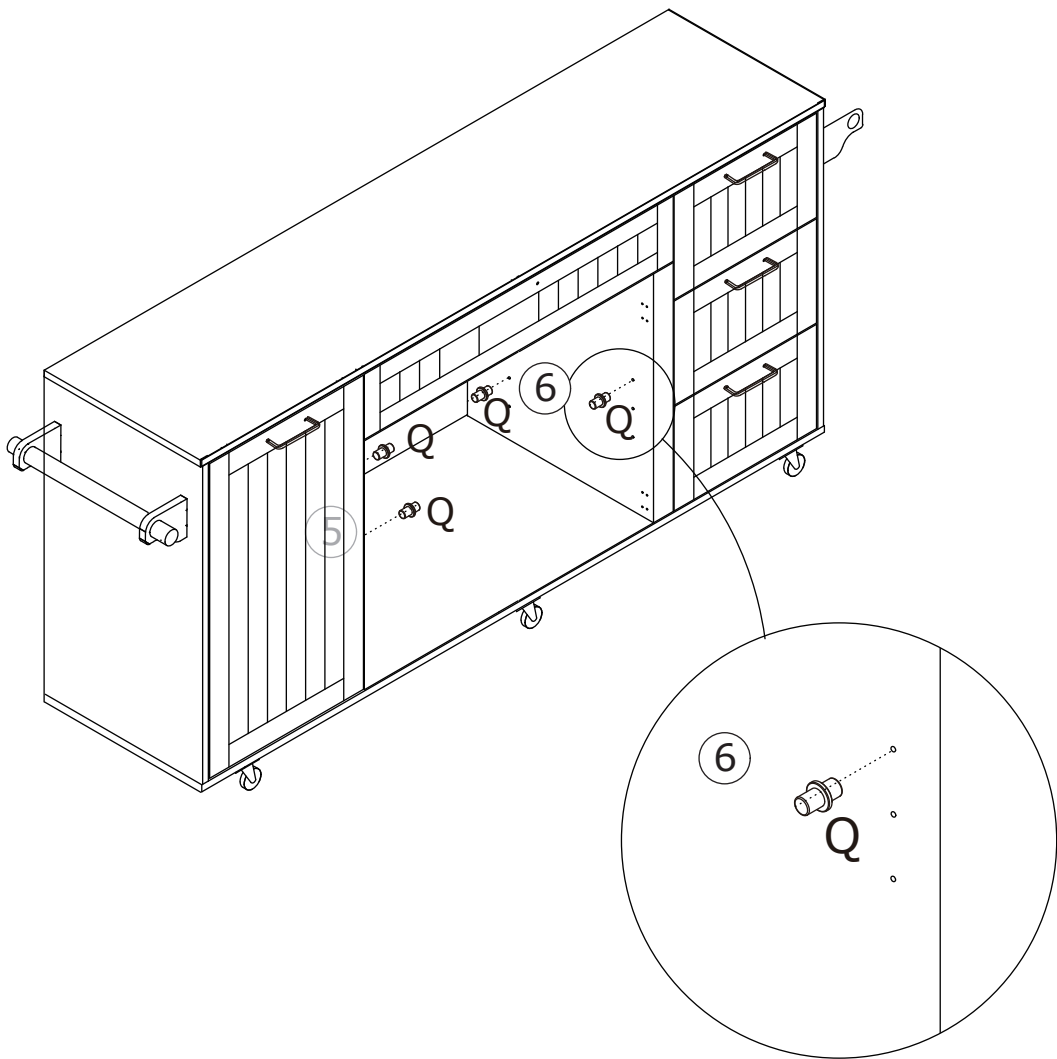


x2



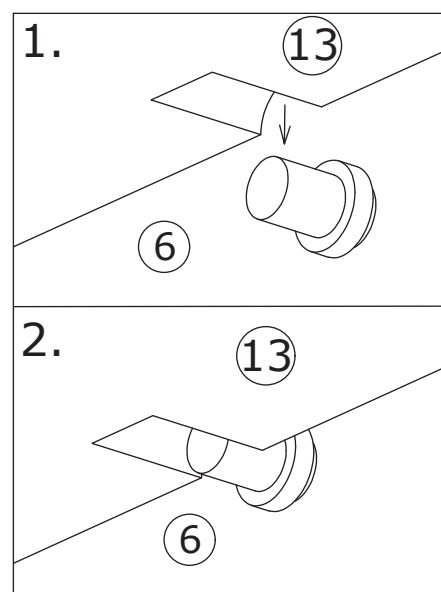
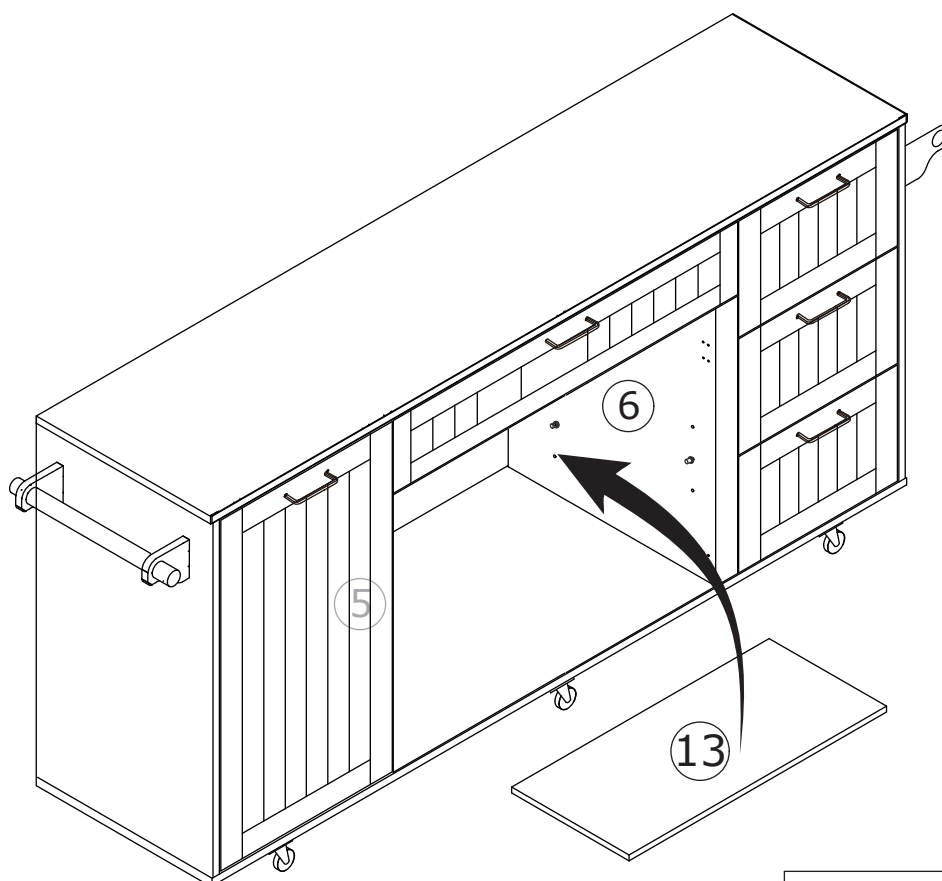
38

Q x 4



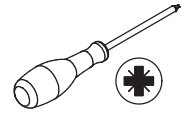
Insert the layer pin (Q) into plates 5 and 6.

Place plate 13 as shown in the figure.

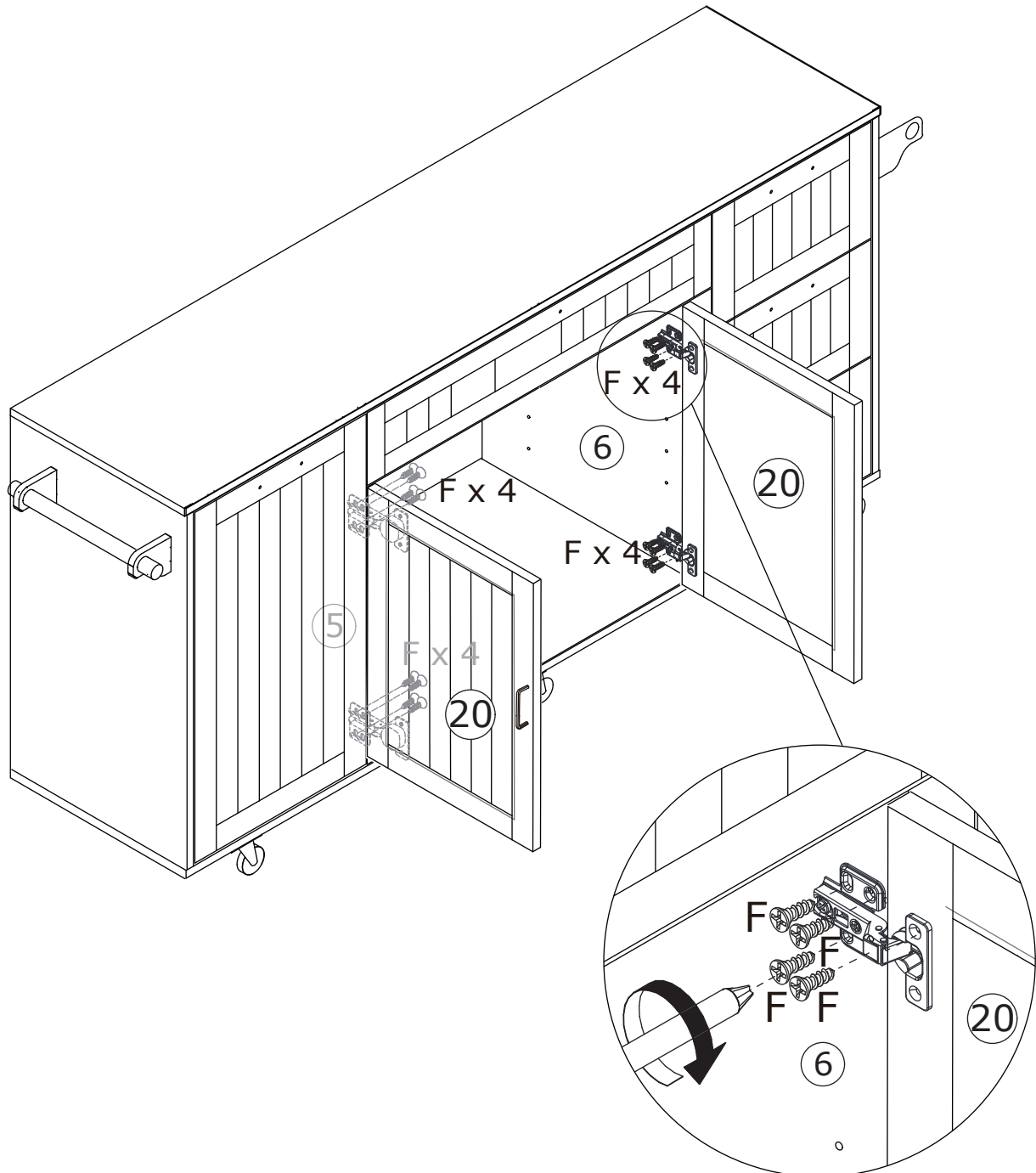


40

F x 16
Ø 3.5 x 14 mm



Secure hinges to plates 5 and 6 using screw (F).



41

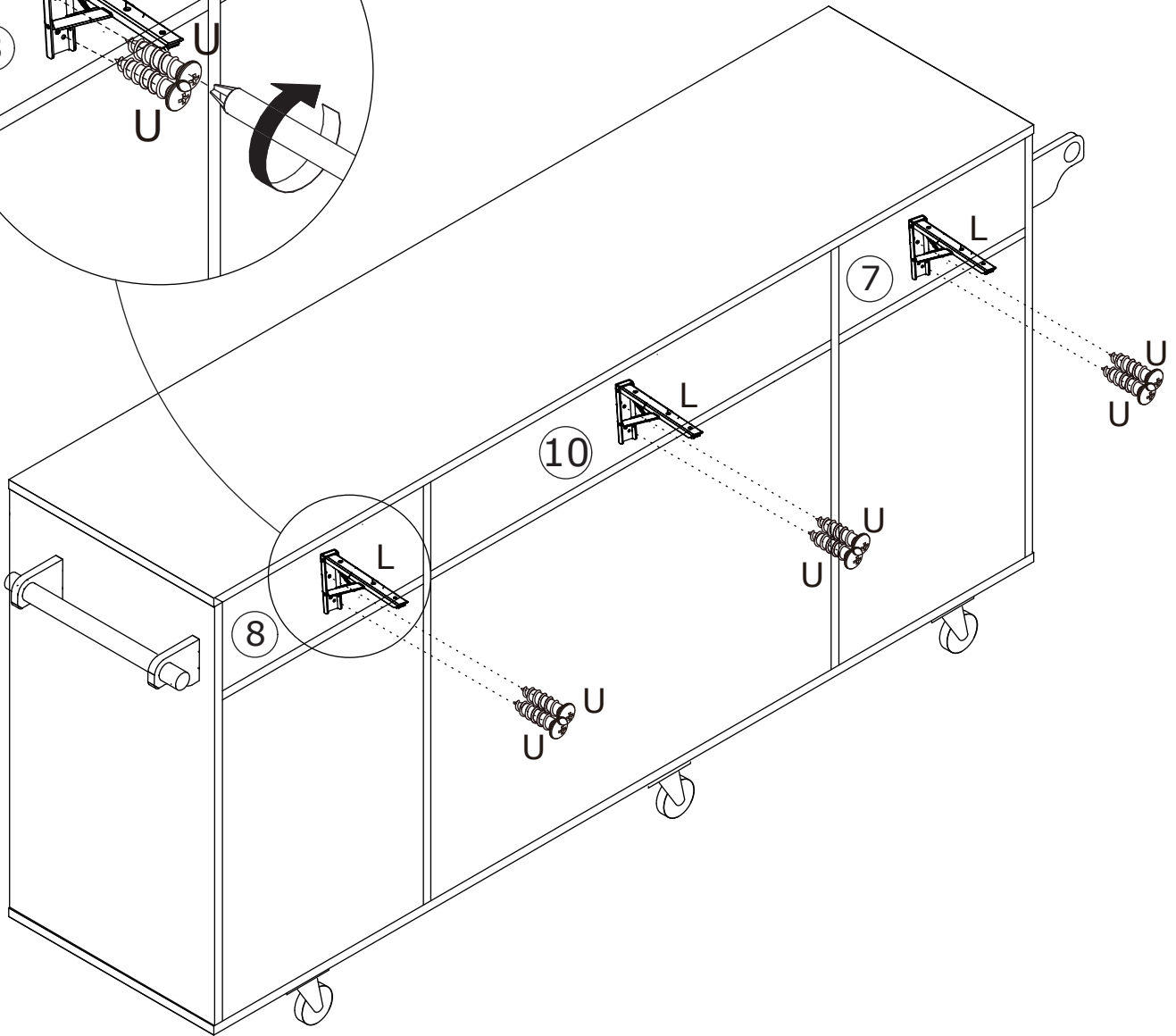
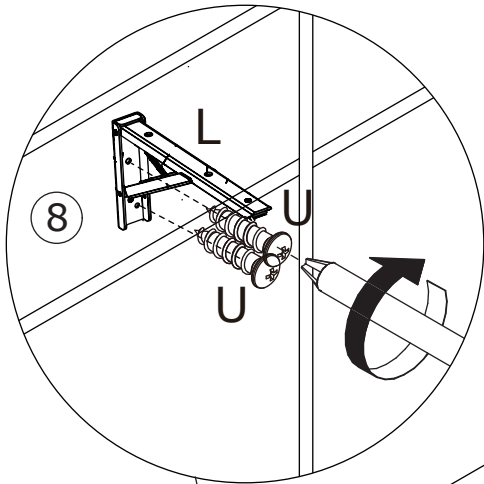
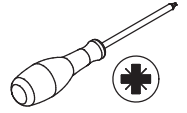
L x 3



U x 6



Ø4 x 14 mm



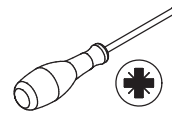
Secure fitting (L) to plates 7, 8 and 10 using screw (U).

42

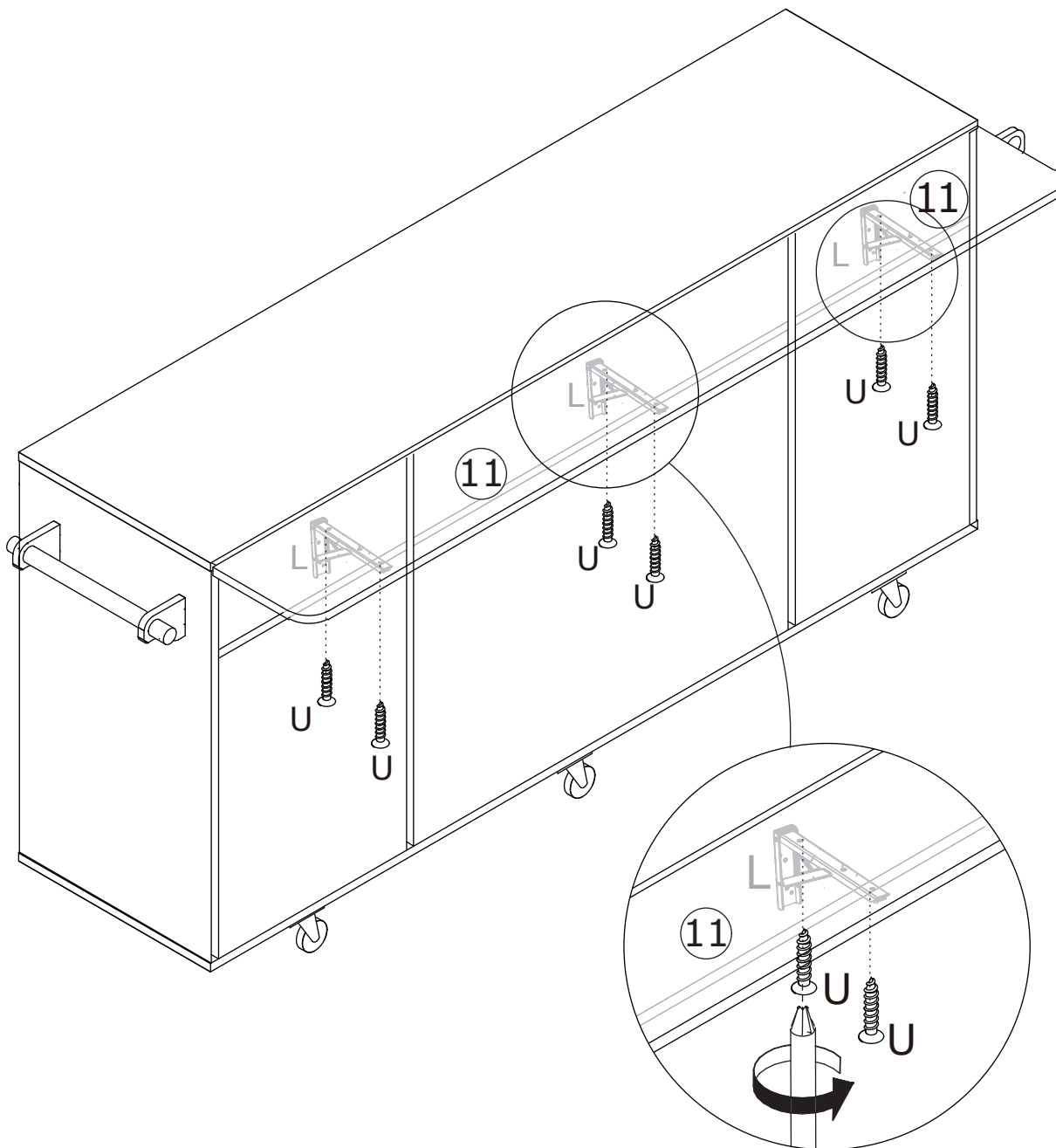
U x 6



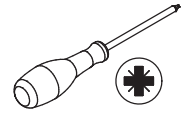
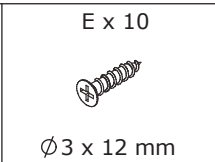
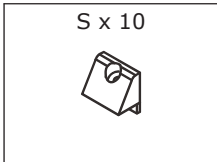
Ø4 x 14 mm



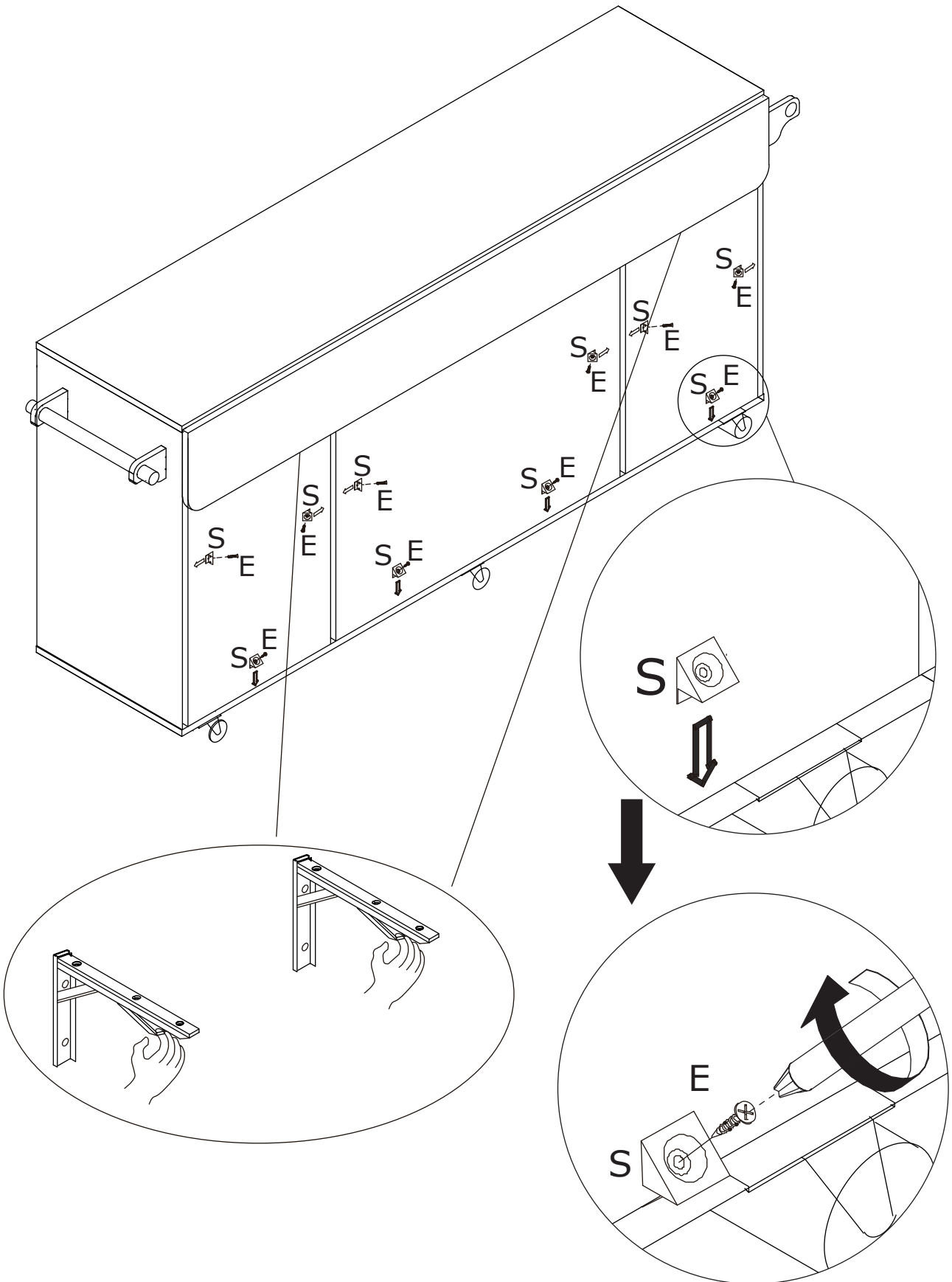
Secure fitting (L) to plate 11 using screw (U).



43

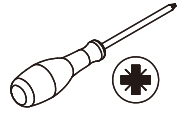


Insert buckle (S) into the rear slot and secure it with the screw (E).

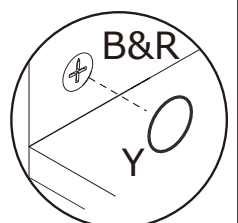
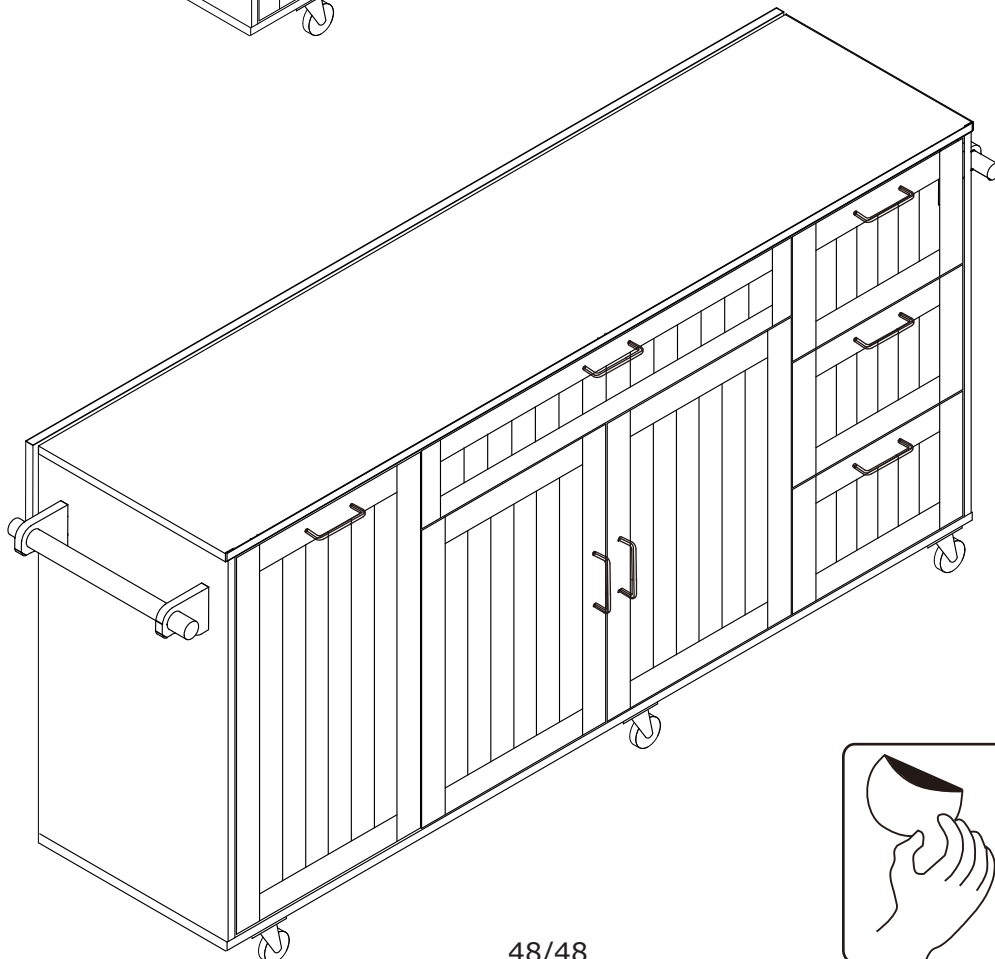
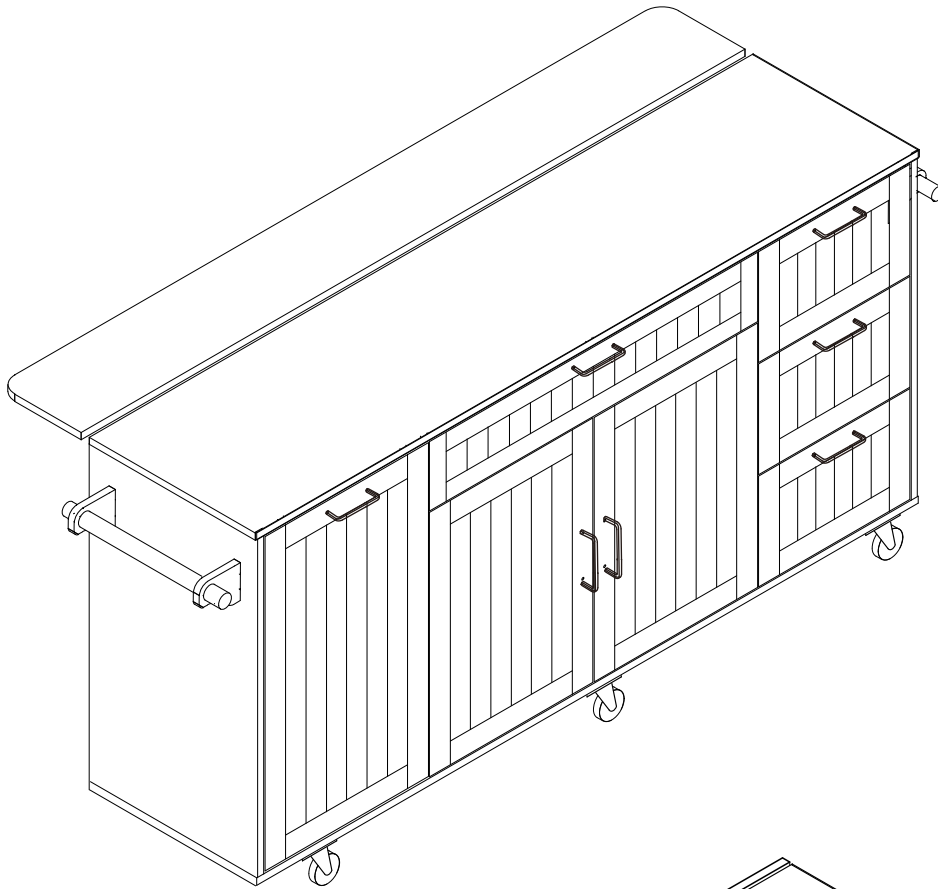


44

Y x 58



Apply the hole sticker (Y) to the cam locks (B) and (R).



WARRANTY

WARRANTY CLAIMS

- There is a 30-day warranty for broken furniture or any other problems that do not work properly. The warranty will start from the date of purchase which must be verified by proof of purchase.
- Before making a claim, we may be able to answer your query, simply call us. Please leave your purchase order number, along with some details of the problem, if you want a replacement part. We will arrange within 48 hours. If there is out of stock, we will reply with a shipping date.
- The product must be used in accordance with the instructions provided. For health reasons.
- For other reasons, if the furniture needs to be returned, it must be cleaned and dried and operated within 30 days of receipt.

Type of Warranty Claim

- Failure to follow the furniture instructions will invalidate the warranty. Attention please.
- Does not include damage during installation, but includes damage during transportation.

Scope of responsibility

- Shall not bear any responsibility for misuse or user damage and / or loss of parts during the installation of furniture.
- After using, the damage and scratches of the furniture are not covered by the warranty.

The Warranty Relates to All Bought in The Us and Covers The Following Areas

- Sheet parts: 1 month from the date of purchase.
- Electrical parts: 1 month from the date of purchase.

RETURNS

CHANGED YOUR MIND AND NEED TO RETURN YOU ITEM?

PLEASE FOLLOW THE BELOW INSTRUCTIONS:

- If you have purchased and have simply changed your mind, follow the retailer's instructions for returns.

DEFECTIVE ITEMS

- If your item is defective in any way, i.e. it doesn't work but you can't identify why, in the first instance, please call us.

DAMAGED ITEMS

- If you receive an order with obvious shipping damage from the retailer, then we suggest the delivery is refused. If the delivery has been accepted and then shipping damage is found, please follow the specific instructions advised by the retailer.
In all circumstances please save all packaging material and paperwork for the order. Please be aware that if you dispose of packaging material or attempt to return the merchandise without contacting the fulfiller, you jeopardise your chances of making a claim, and you may not receive a credit for the return.