

METAL CANOPY BED

Full Post Kit • Queen Post Kit

King Post Kit

Full HB & FB • Queen HB & FB

King HB & FB










Examine all packaging material for small parts that may have come loose during shipment. Periodic checks are recommended to insure that all components are in proper position, tight and free from damage. Keep this assembly instruction for future reference. Adult assembly is required.

HARDWARE LIST

- A (4) Plastic Caps
- B (4) Short Allen Bolts
- C (16) 2-1/2" Allen Bolts
- D (4) 2-1/4" Allen Bolts
- E (8) Check Rings
- F (8) Flat Washers
- G (8) Spring Washers
- H (4) Hex Nuts
- I (1) Allen Wrench

PARTS LIST

- J (2) Uni Panels
- K (2) Headboard Posts
- L (2) Footboard Posts
- M (2) Short Top Rails
- N (2) Long Top Rails

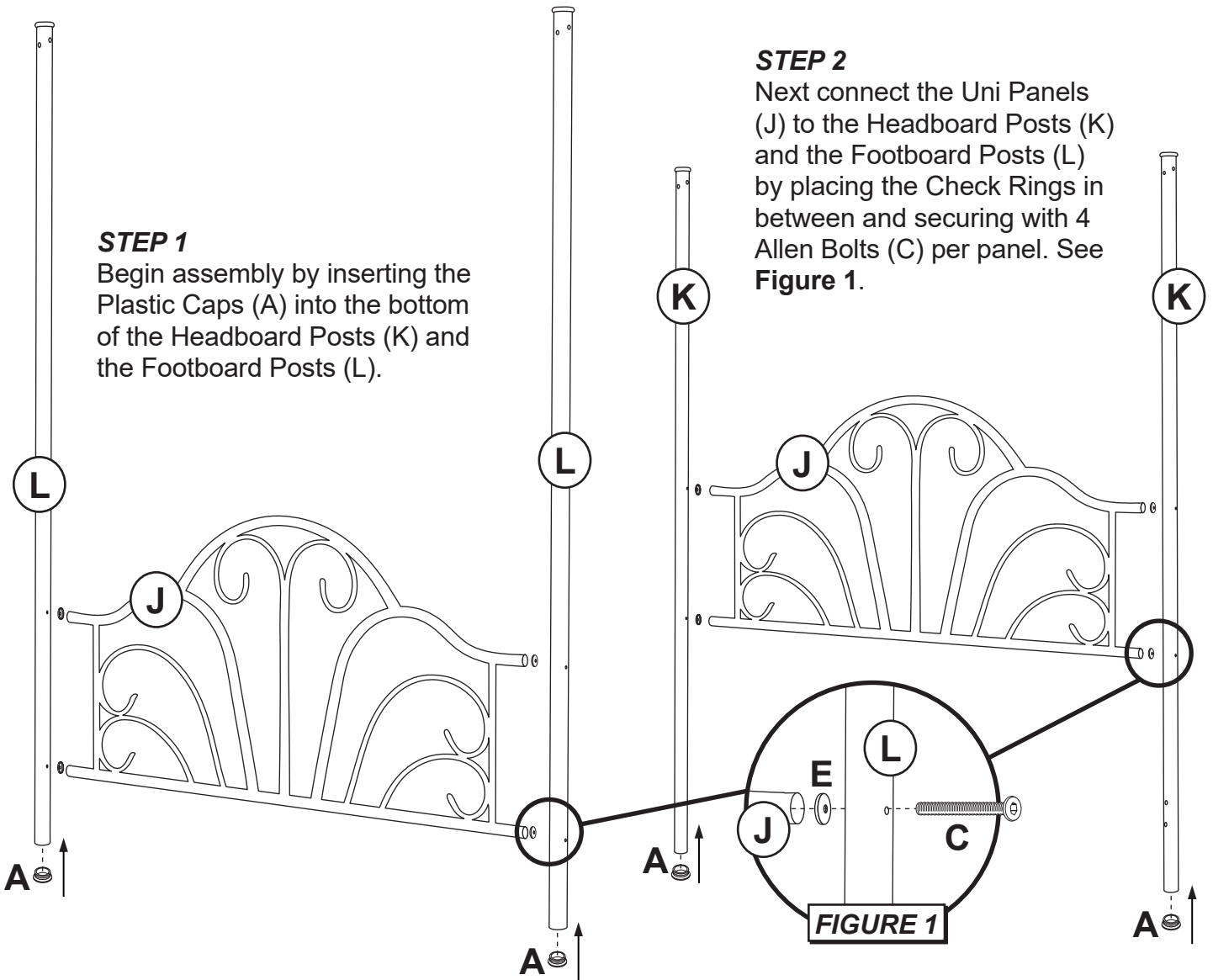
PART	QTY	HARDWARE	PART	QTY	HARDWARE
A	4		B	4	
C	16		D	4	
E	8		F	8	
G	8		H	4	
I	1				

STEP 1

Begin assembly by inserting the Plastic Caps (A) into the bottom of the Headboard Posts (K) and the Footboard Posts (L).

STEP 2

Next connect the Uni Panels (J) to the Headboard Posts (K) and the Footboard Posts (L) by placing the Check Rings in between and securing with 4 Allen Bolts (C) per panel. See **Figure 1**.



CARE & MAINTENANCE: The touch of a soft cloth is all the maintenance the finish will ever need. Please do not use harsh or abrasive cleaners for polishing, as they may cause damage to the finish. Periodic checks are recommended to make sure that all hardware is securely tightened.

METAL CANOPY BED

Full Post Kit • Queen Post Kit
King Post Kit
Full HB & FB • Queen HB & FB
King HB & FB

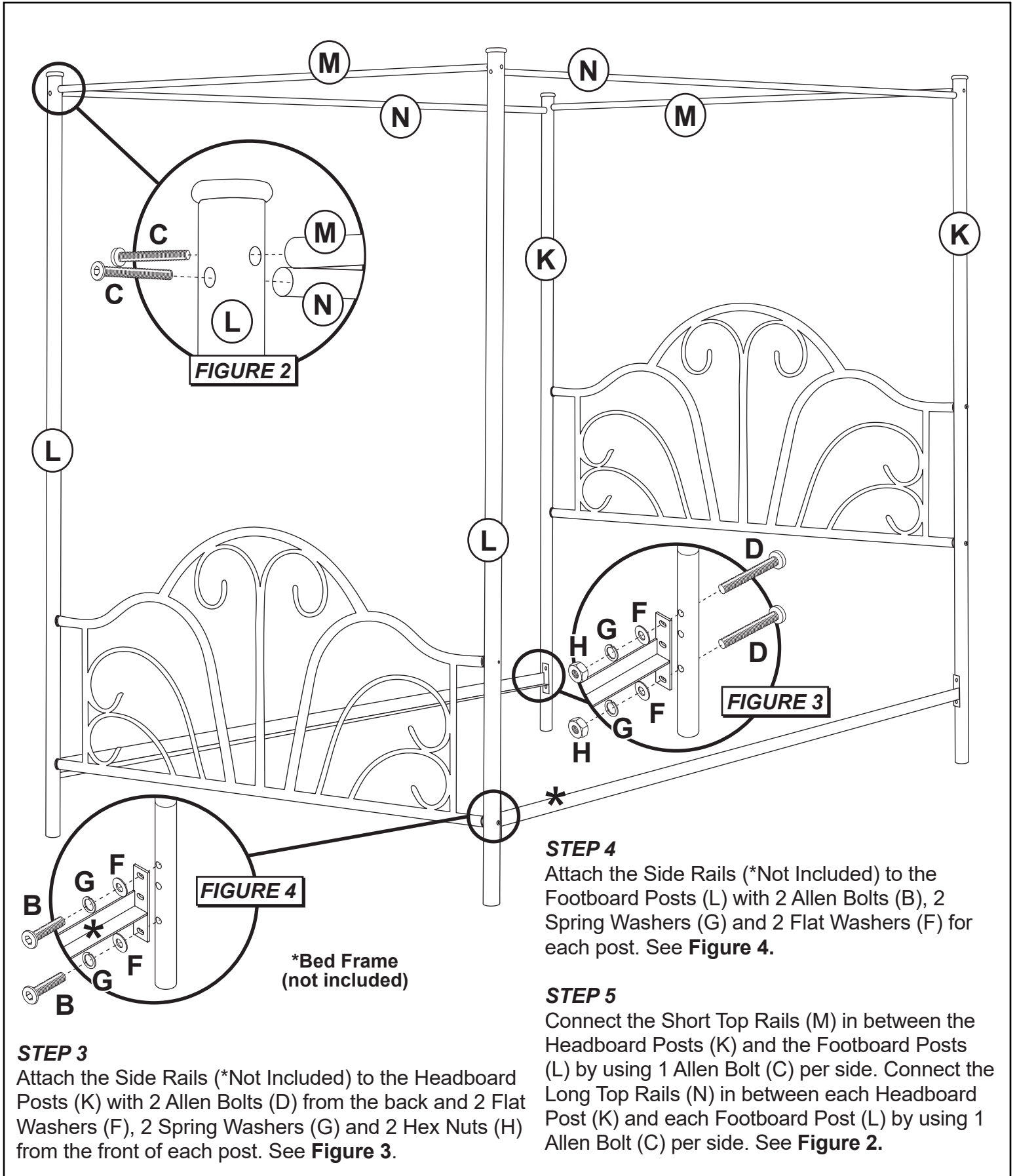


FIGURE 2

FIGURE 3

FIGURE 4

*Bed Frame (not included)

STEP 3

Attach the Side Rails (*Not Included) to the Headboard Posts (K) with 2 Allen Bolts (D) from the back and 2 Flat Washers (F), 2 Spring Washers (G) and 2 Hex Nuts (H) from the front of each post. See **Figure 3**.

STEP 4

Attach the Side Rails (*Not Included) to the Footboard Posts (L) with 2 Allen Bolts (B), 2 Spring Washers (G) and 2 Flat Washers (F) for each post. See **Figure 4**.

STEP 5

Connect the Short Top Rails (M) in between the Headboard Posts (K) and the Footboard Posts (L) by using 1 Allen Bolt (C) per side. Connect the Long Top Rails (N) in between each Headboard Post (K) and each Footboard Post (L) by using 1 Allen Bolt (C) per side. See **Figure 2**.

CARE & MAINTENANCE: The touch of a soft cloth is all the maintenance the finish will ever need. Please do not use harsh or abrasive cleaners for polishing, as they may cause damage to the finish. Periodic checks are recommended to make sure that all hardware is securely tightened.