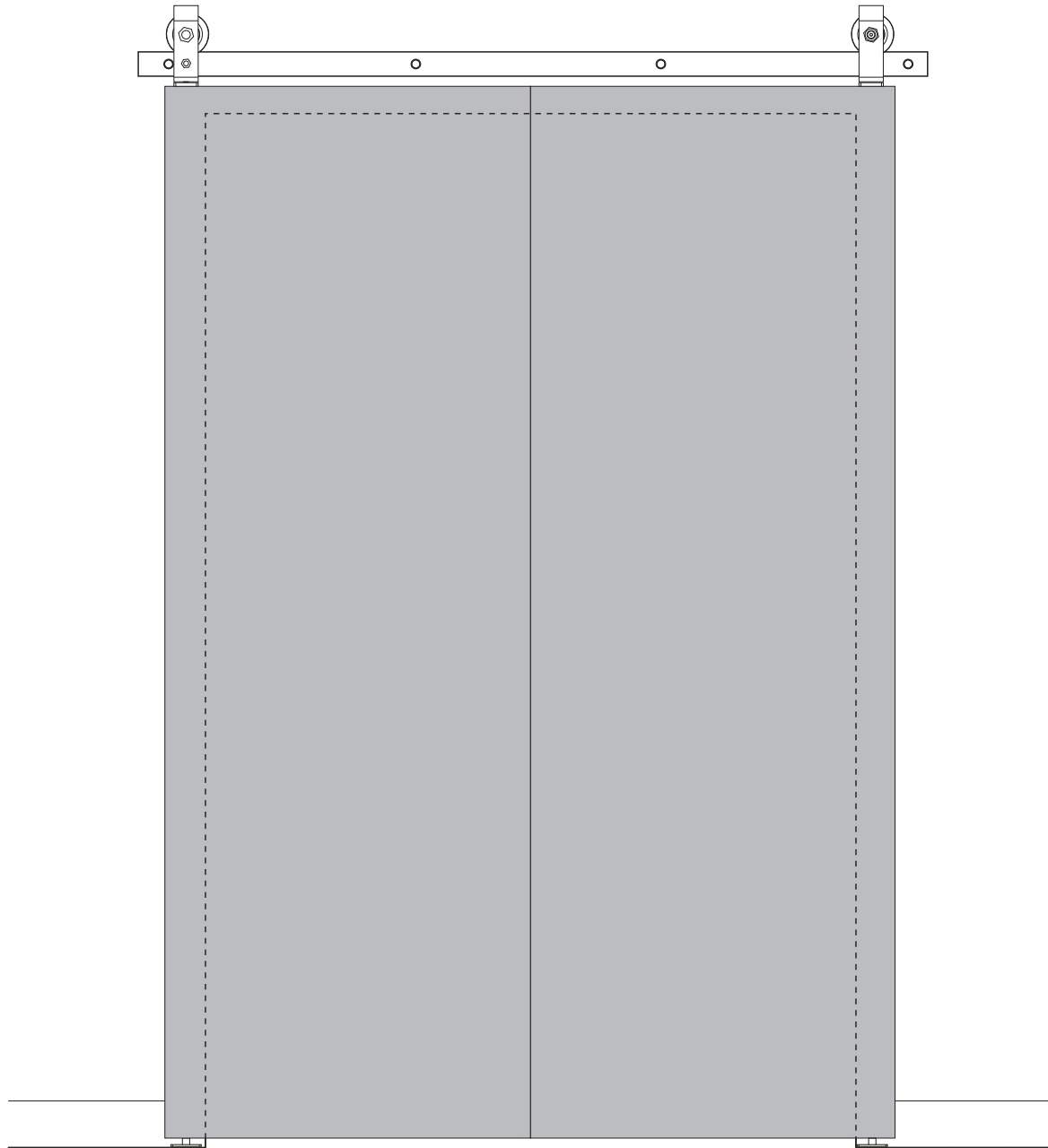


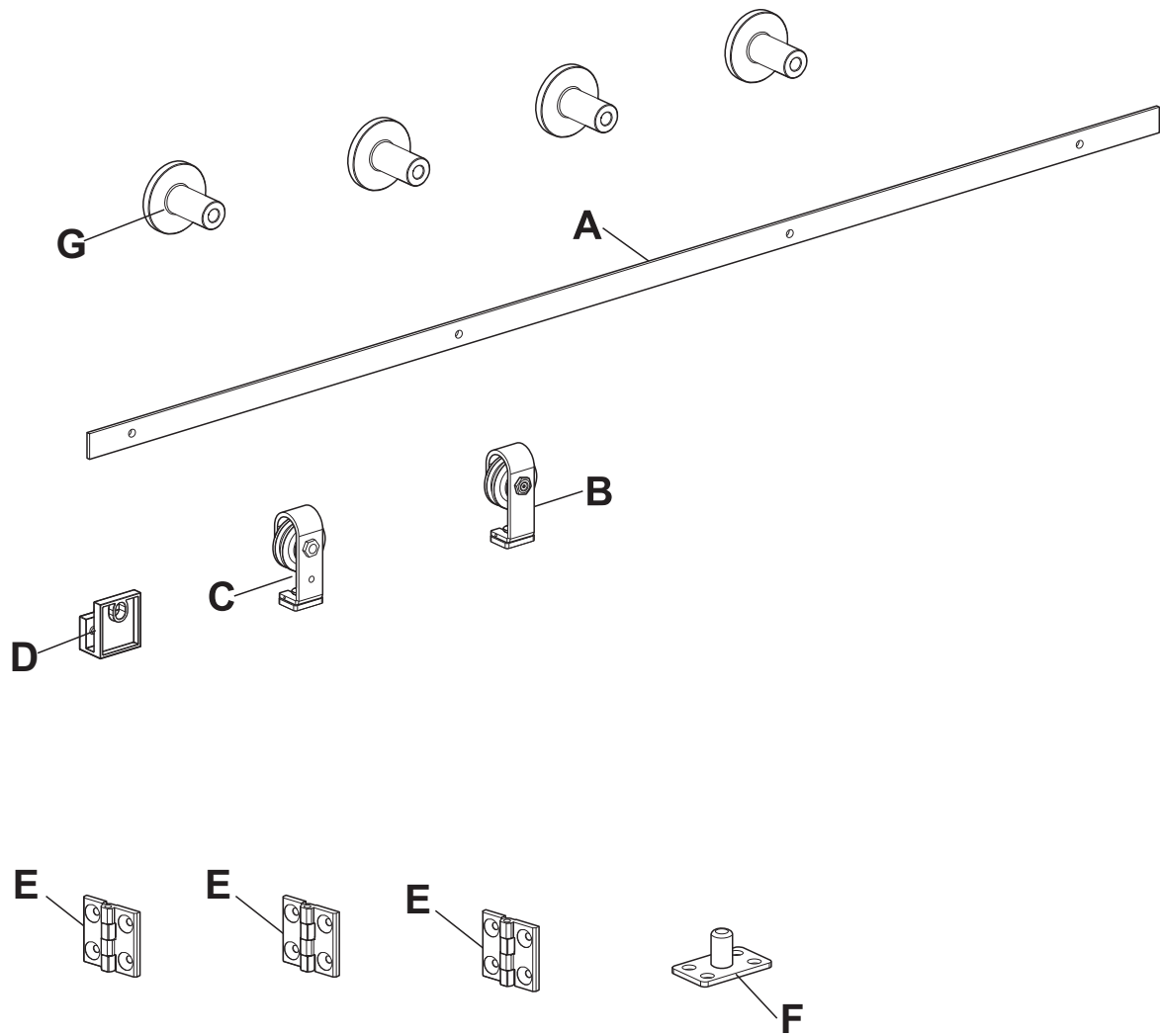
Installation Manual



LUBANN is a trademark registered by Valley BLVD Trading and Investment Co.,LTD
Technical Support: business phone: 909-445-0404

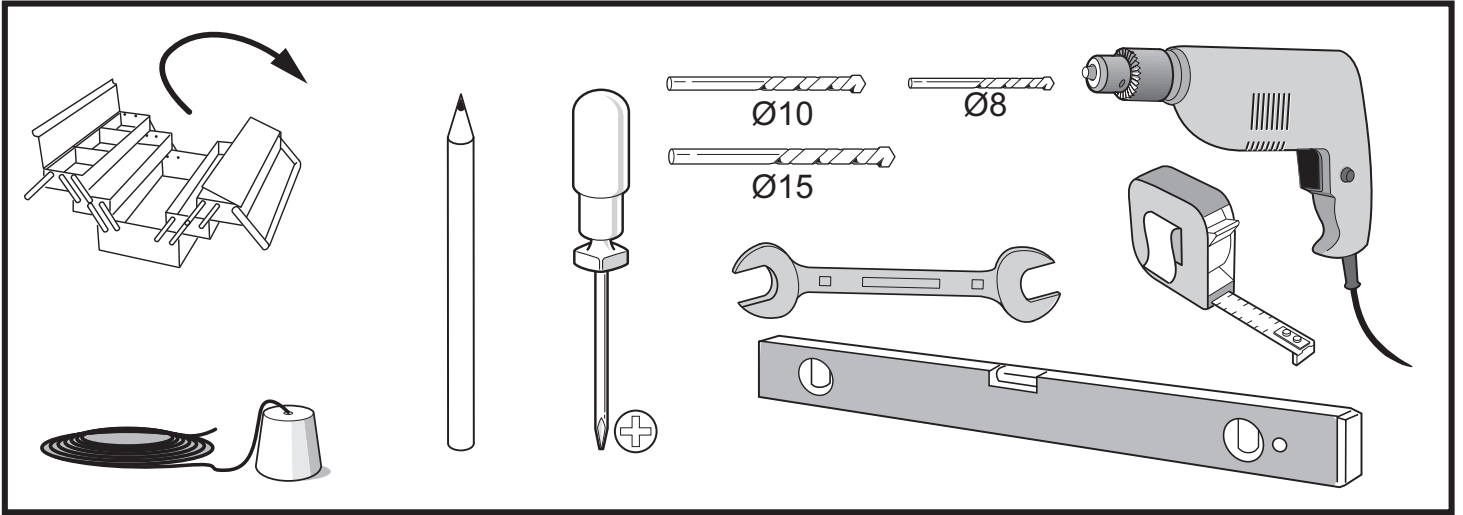
Questions? Email us lubannus@gmail.com
Check out LUBANN products at www.lubannus.com

Components list



Pre-installation

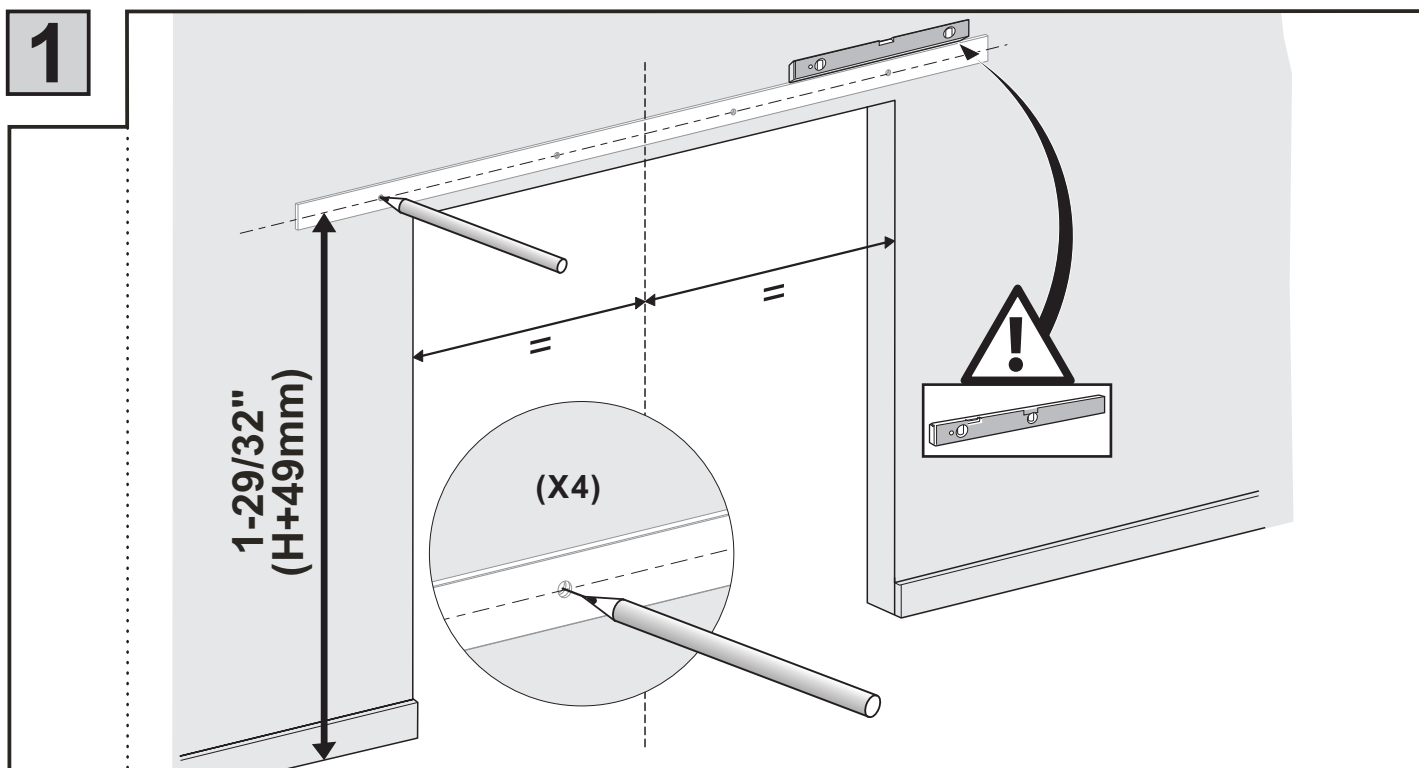
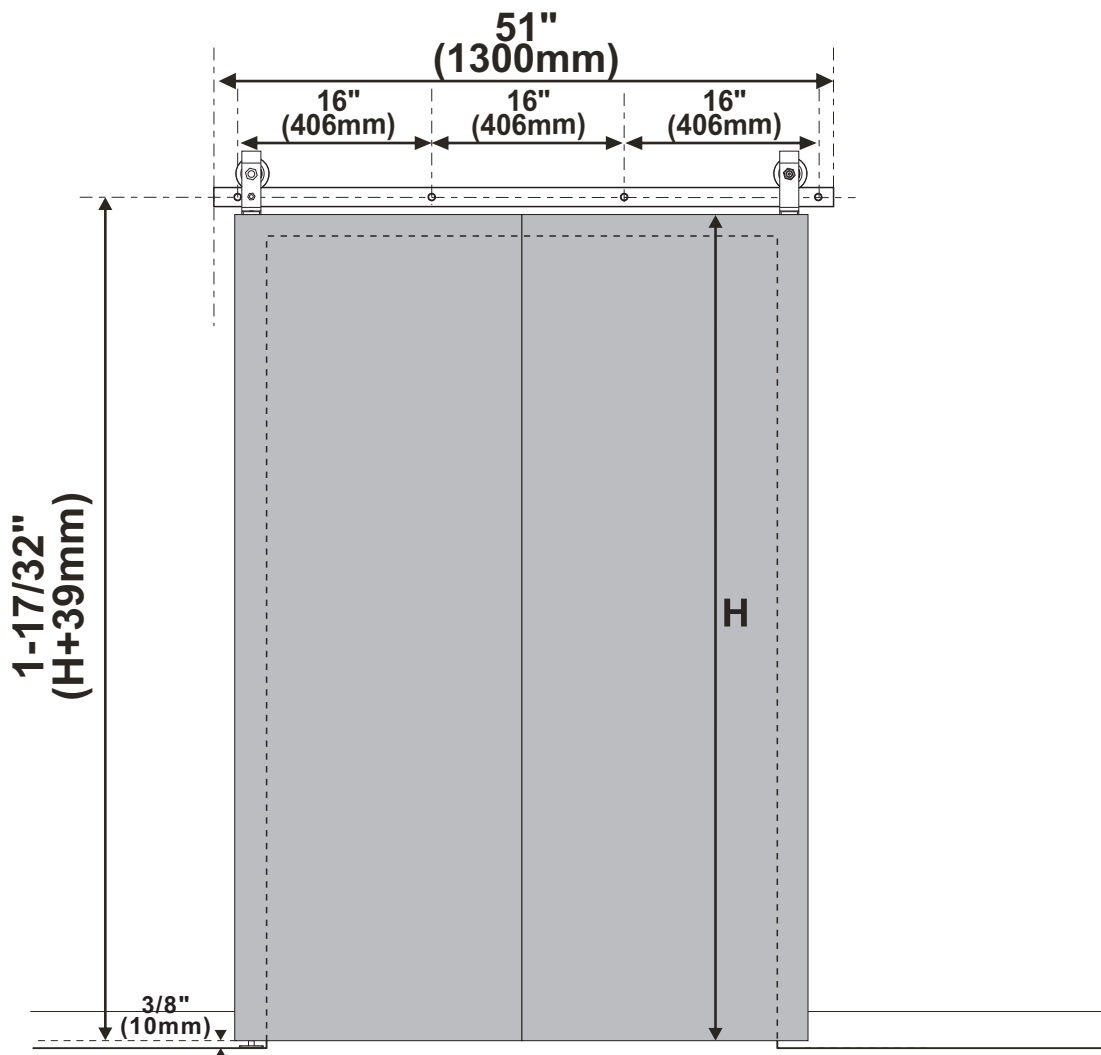
TOOLS REQUIRED



HARDWARE INCLUDED

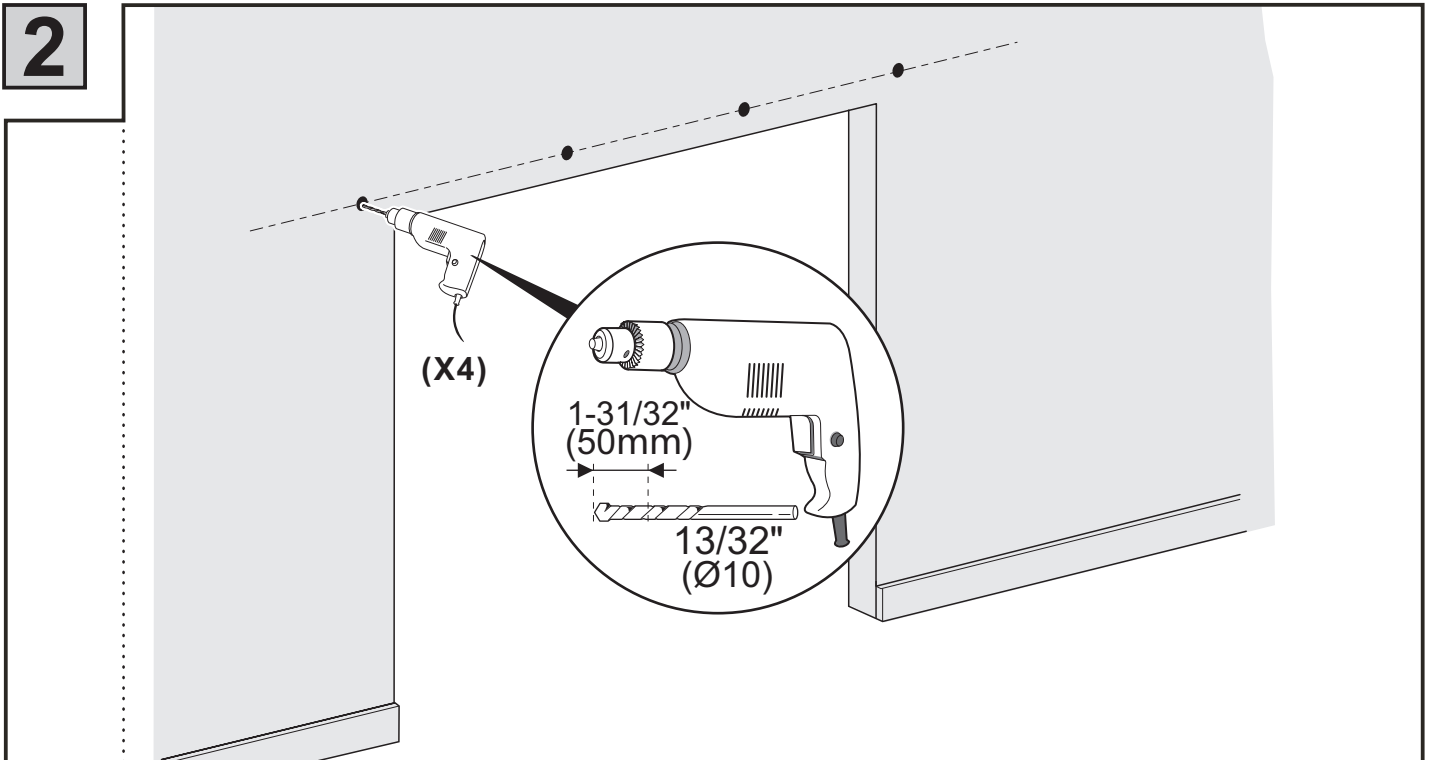
<p>A</p> <p>Ø10 (x4) (x4) M8x90(x4)</p>	<p>B</p> <p>(x1)</p>	<p>C</p> <p>(x1) M5x26(x1) (x1)</p>
<p>D</p> <p>(x1) M5x6(x2)</p>	<p>E</p> <p>(x3) M6X25(x12)</p>	<p>F</p> <p>(x1) (x1) Ø8 (x4) ST4.2X32(x4)</p>
<p>G</p> <p>(x4)</p>	<p>H</p> <p>ST4.8X50(x4)</p>	<p>I</p> <p>(x1)</p>

Installation

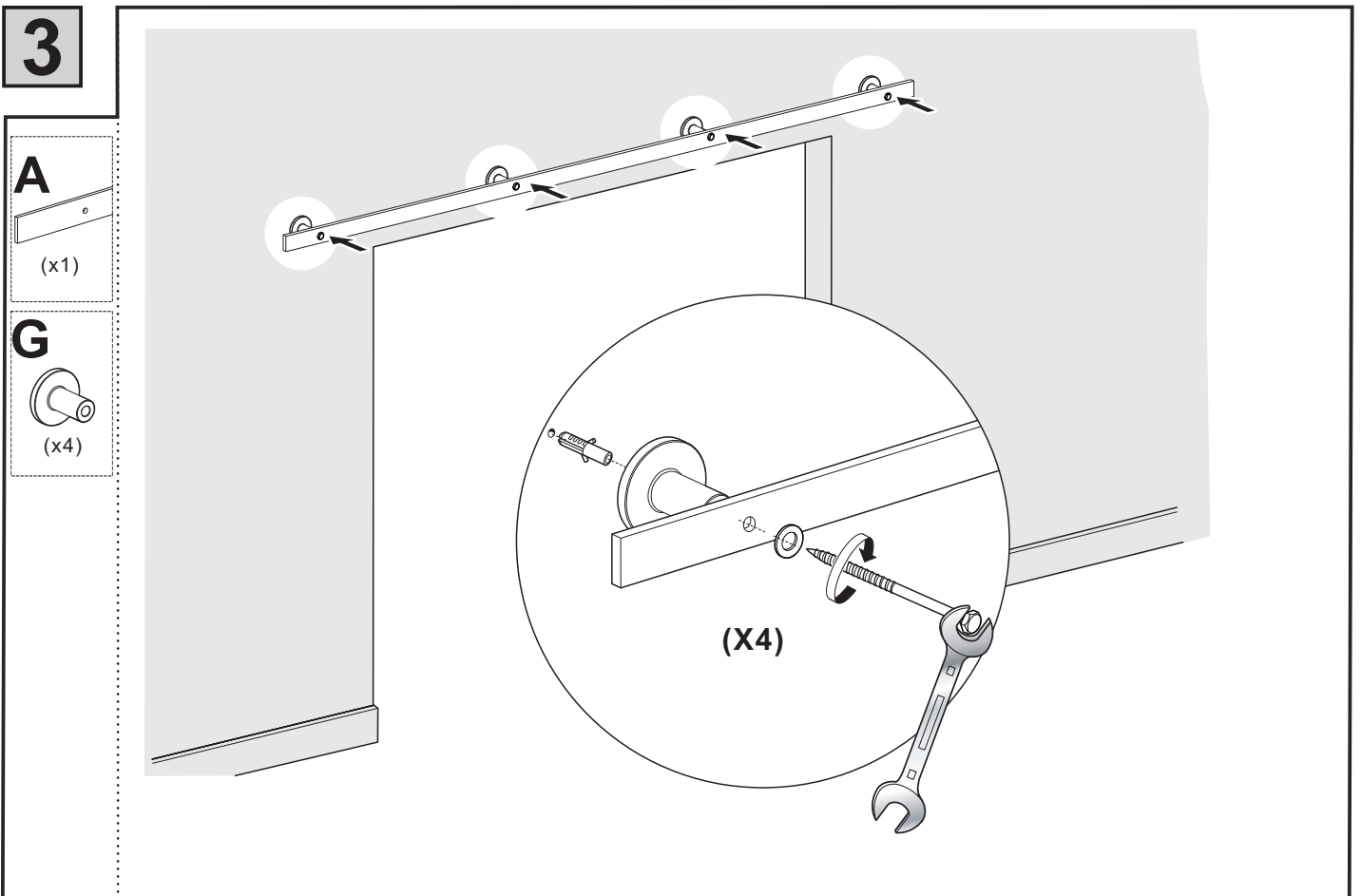


Installation

2

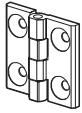


3



4

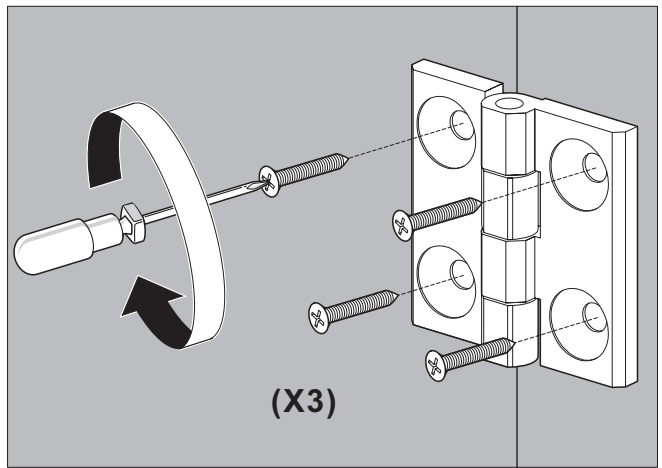
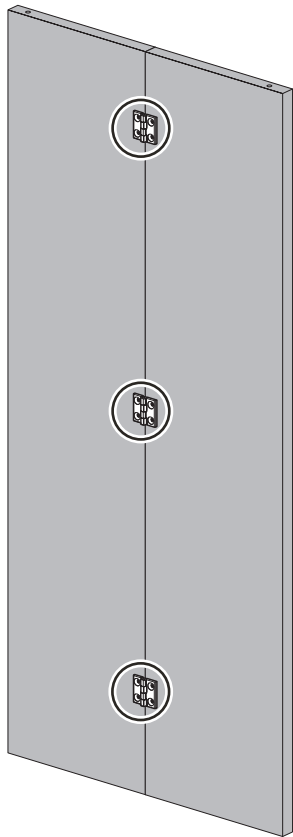
E



(x3)



M6x25
(x12)



5

B

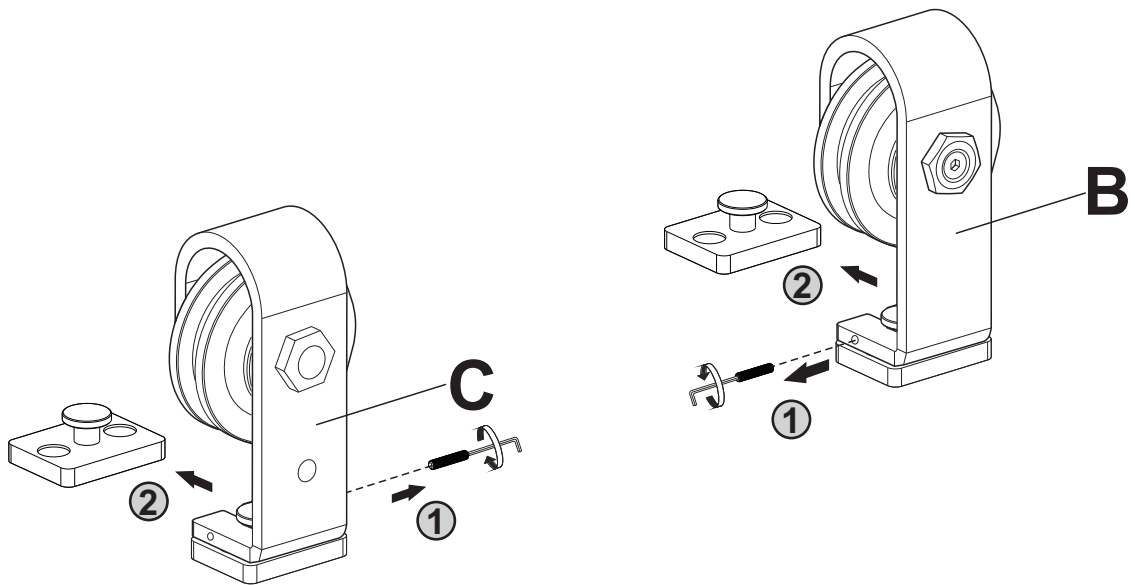


(x1)

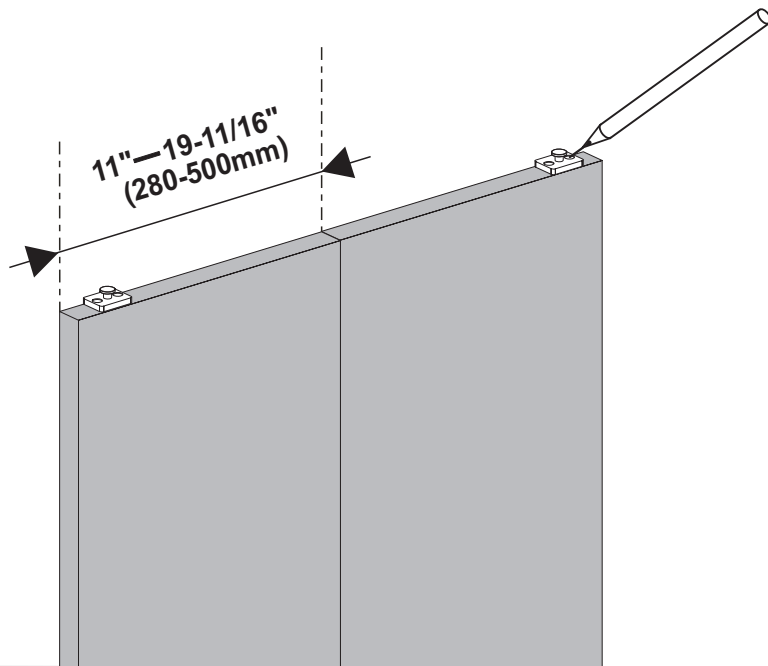
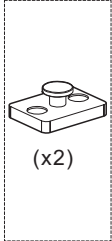
C



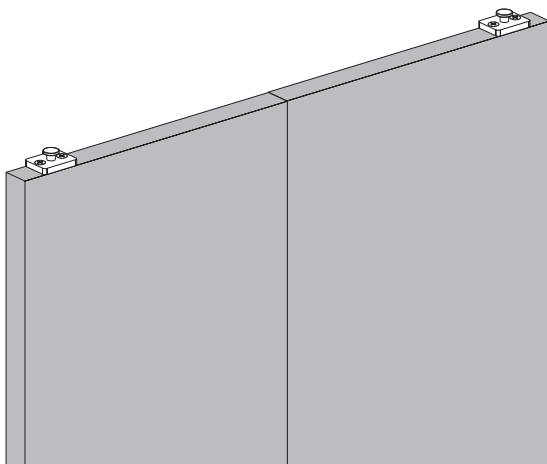
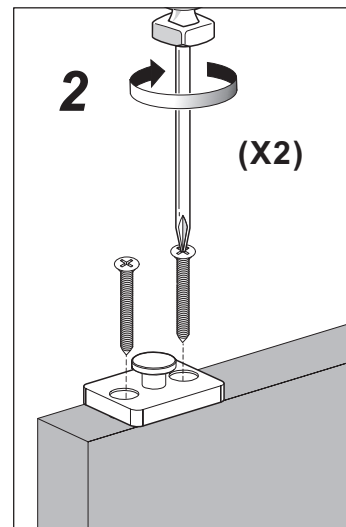
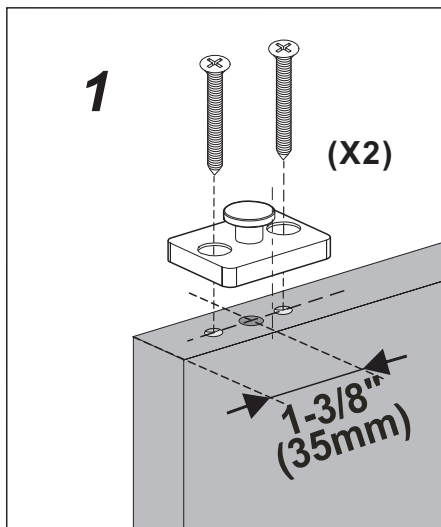
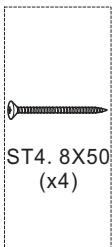
(x1)



6

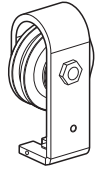


7



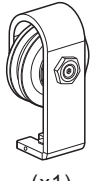
8

C

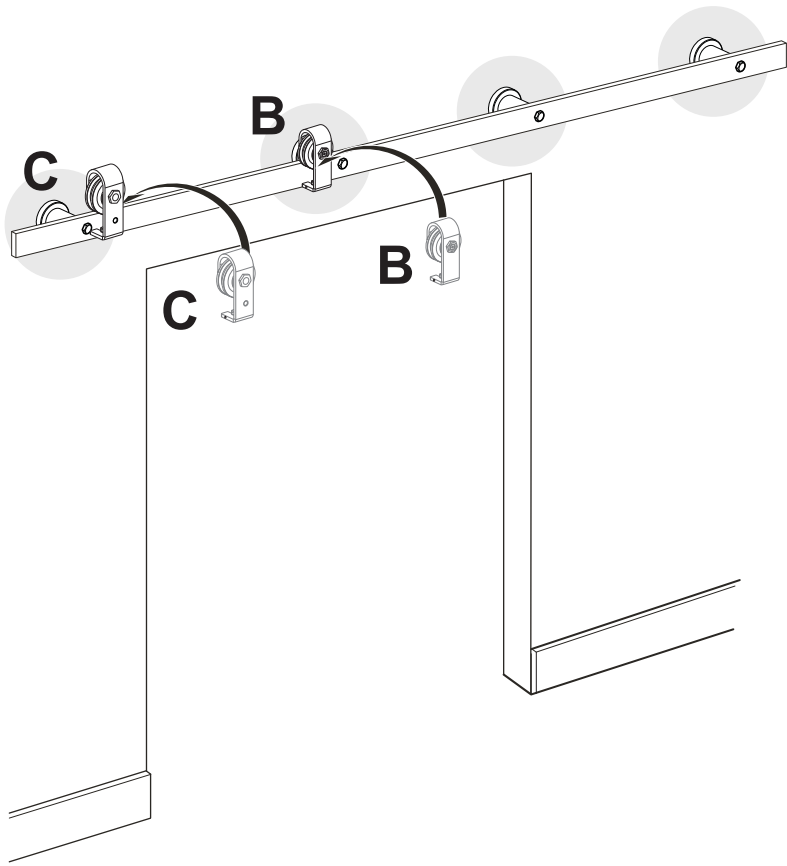


(x1)

B



(x1)

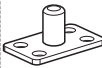


9



$\geq 1\text{-}3/16\text{''}$
 $\geq 30\text{mm}$

F



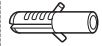
(x1)



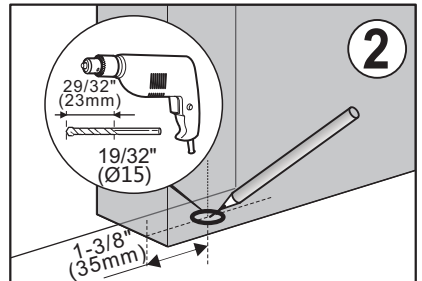
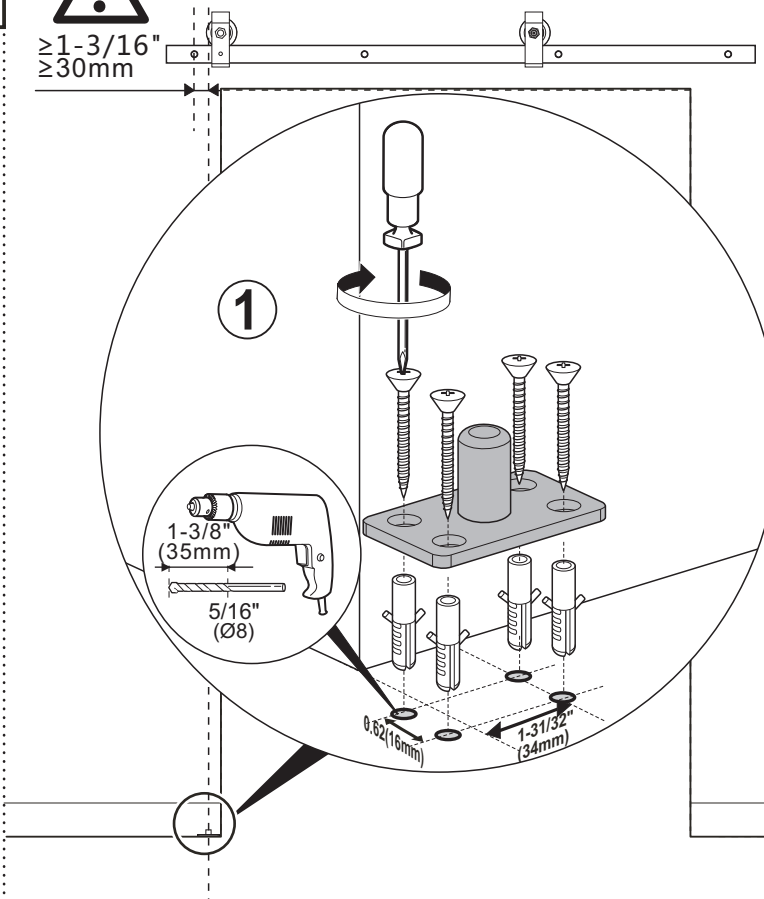
(x1)



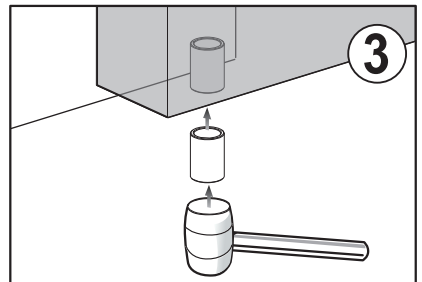
ST4. 2X32
(x4)



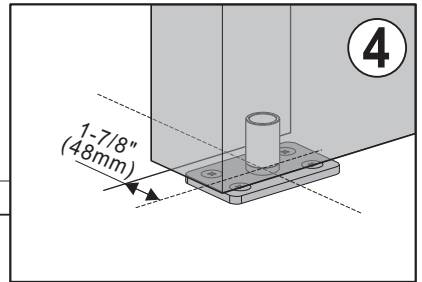
Ø8 (x4)



2



3



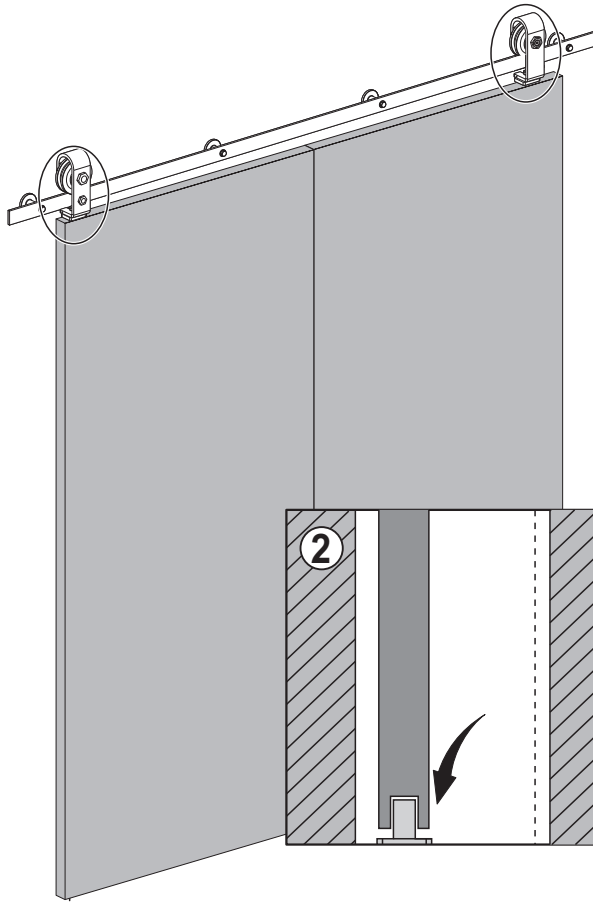
4

10

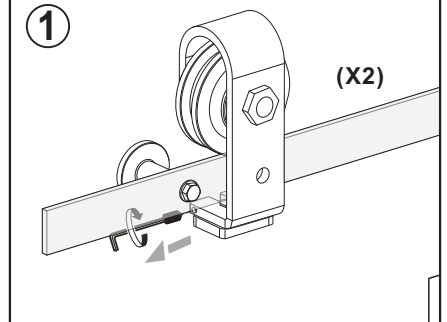
C



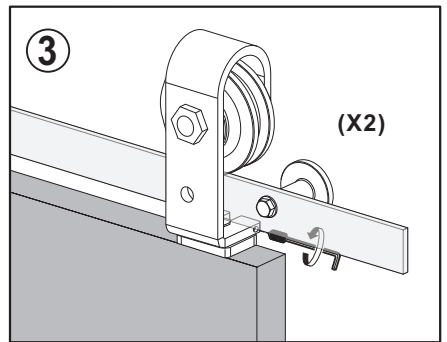
(x1)



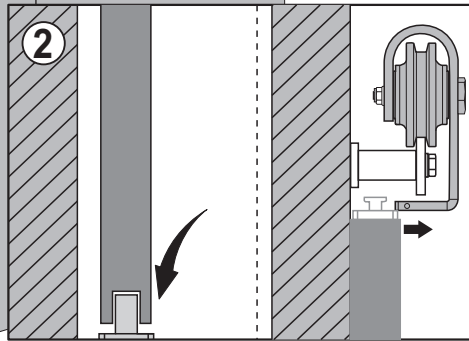
1



3



2

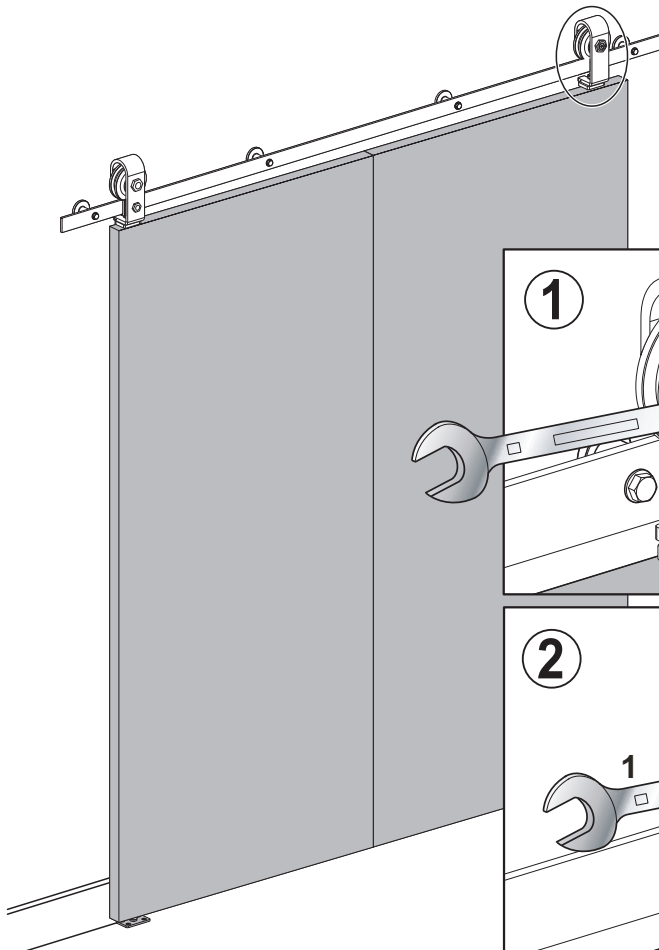


11

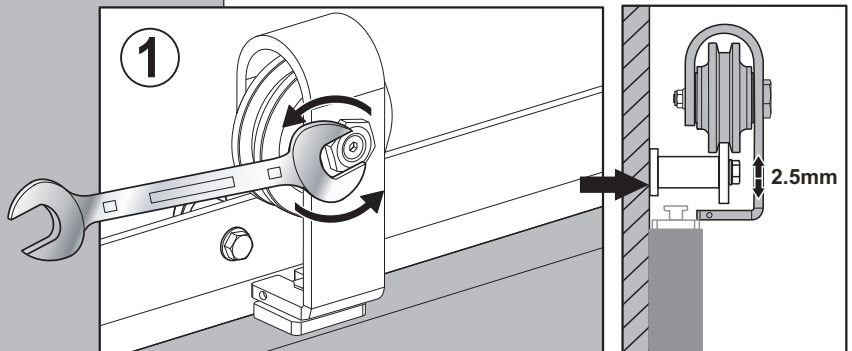
B



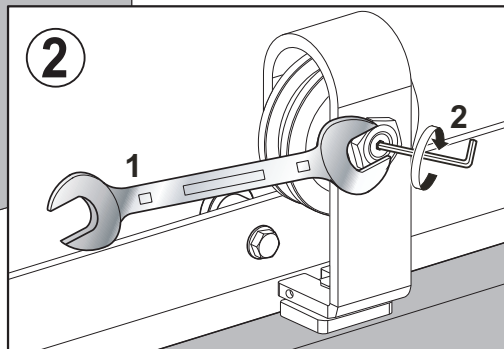
(x1)



1



2



C



M5x26
(x1)



(x1)

D



(x1)



M5x6(x2)

