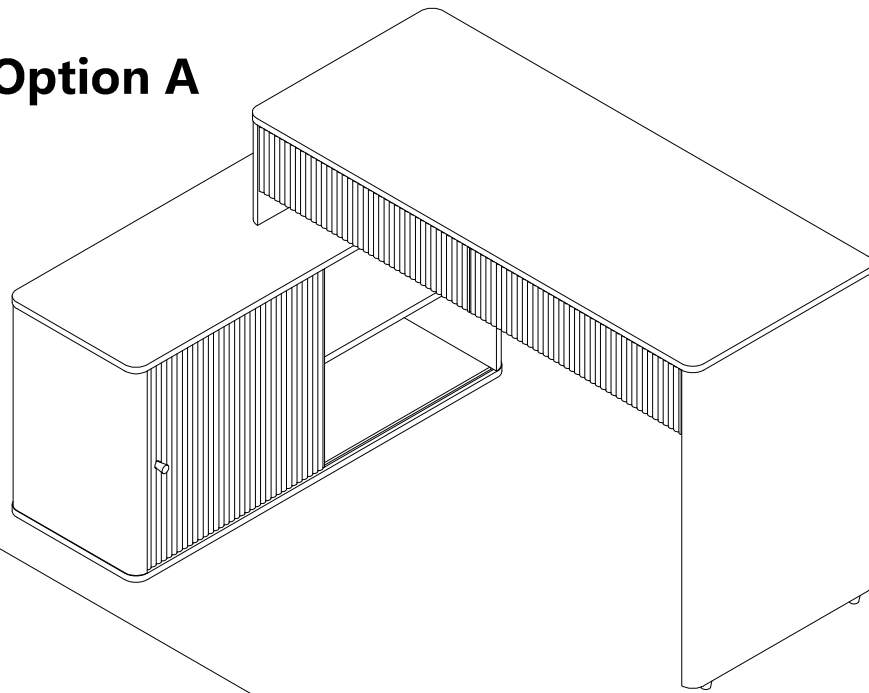
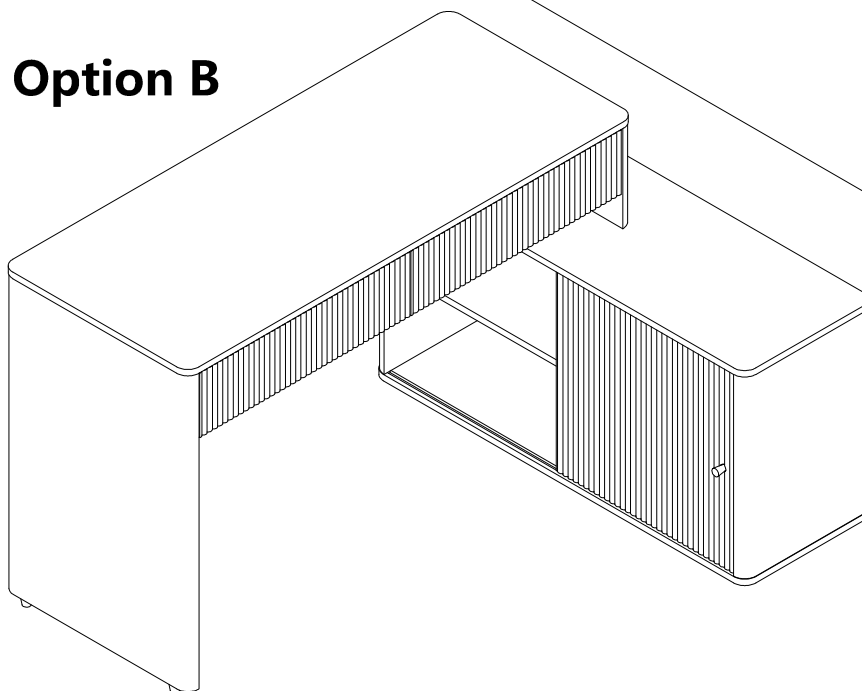


Assembly Instructions

Option A



Option B

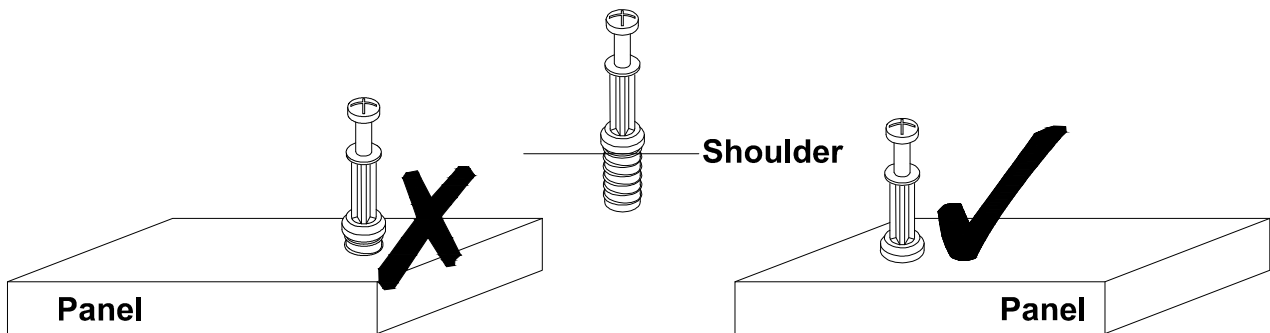


Before Assembly

Tips Before Your Start:

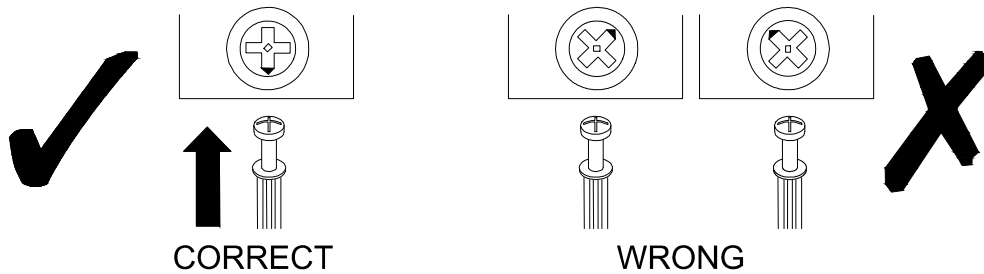
- Remove all wrapping material, including staples & packing straps before you start to assemble.
- DO NOT tighten all screws and bolts until the assembly is completely assembled.
- Keep all hardware parts out of reach of children.

QUICKFIT



Tighten quickfit until shoulder is flush with panel. Do not overtighten or undertighten.

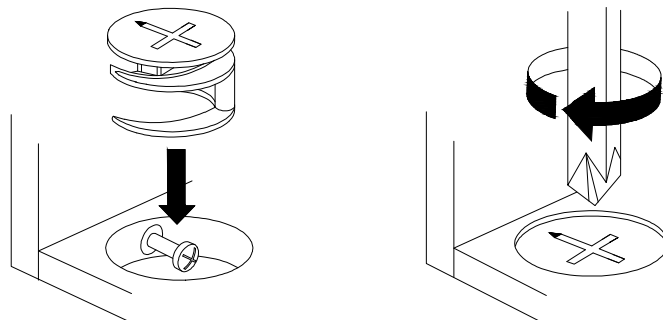
CAM LOCK



When fitting a cam lock, ensure the starting position is correct before inserting the connecting QUI CKFIT

Quickfit head should be in the centre of the cam lock when the two panels are joined.

Cam lock should be inserted before quickfit.

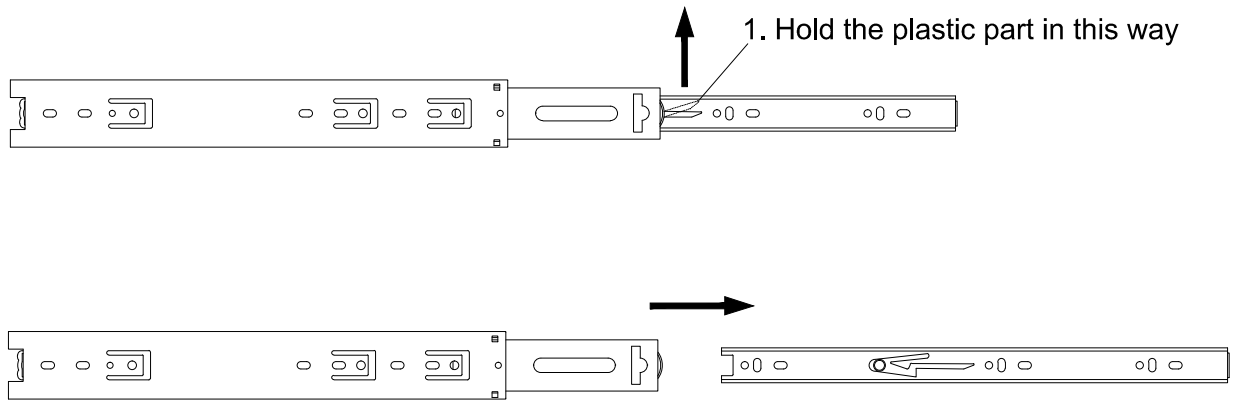


Turn cam lock clockwise to tighten.

Before Assembly

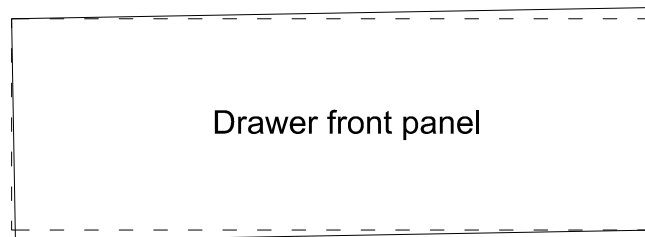
Tips Before Your Start

How to separate the drawer slider:

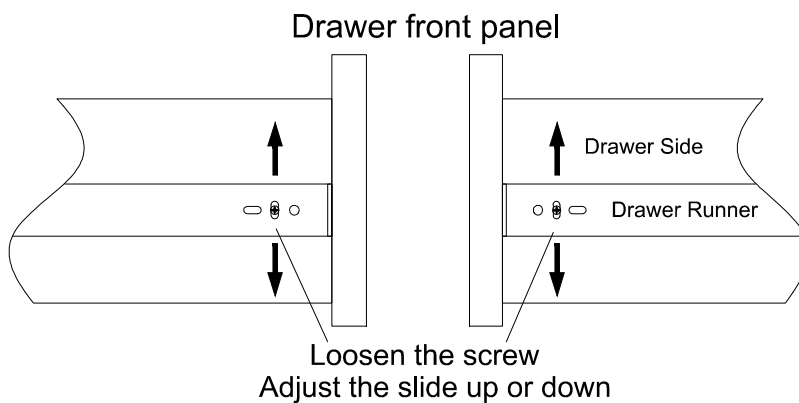


2. Pull out the inner slider for drawer box fixing

Drawer Front Alignment




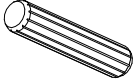
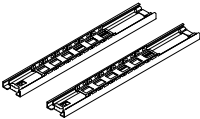
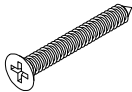
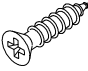
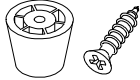

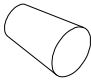
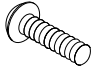
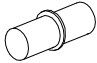
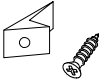


If the drawer front panel is NOT level after being assembled, then...

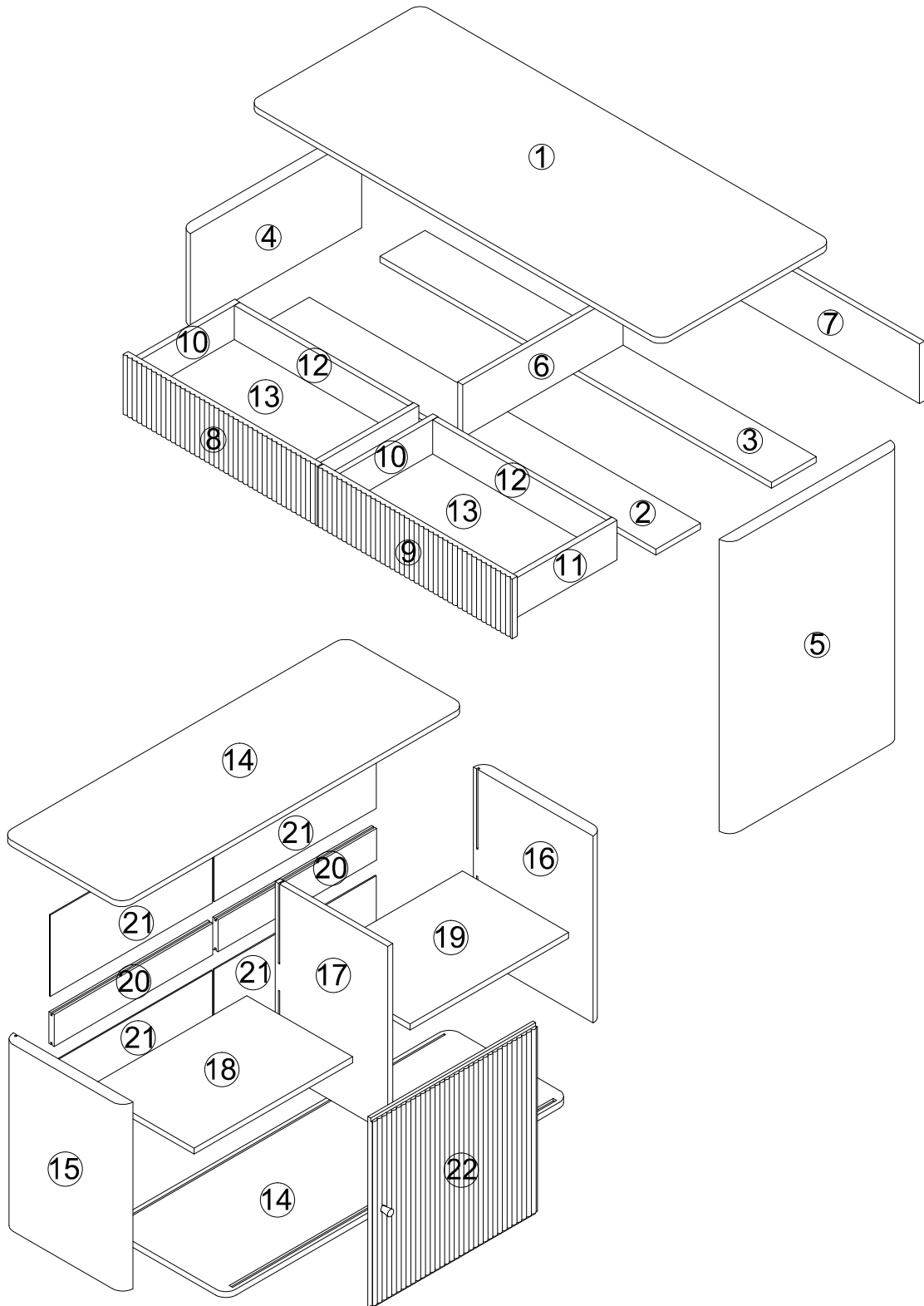


Loosen the screws on the left and right hand side, then adjust the drawer slide up or down, until the drawer fronts are even/level, then tighten the screws.

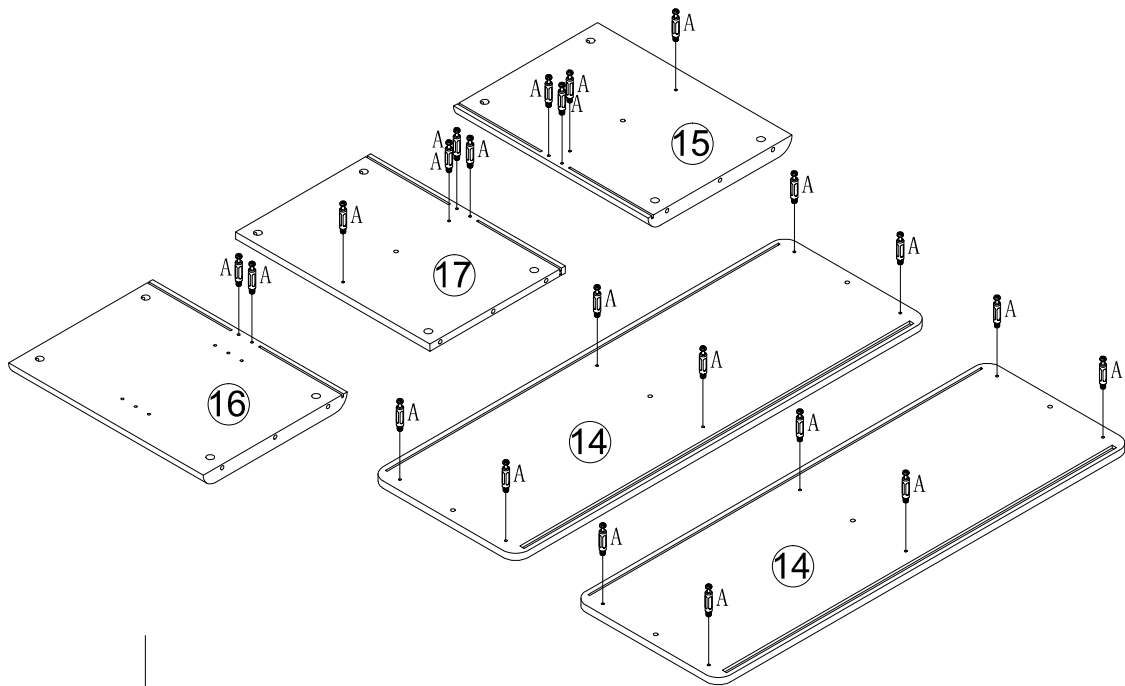
Part List

<p>No. A Quantity:56 Pcs Cam Lock Dowel 8*28mm</p> 	<p>No. B Quantity:56 Pcs Cam φ15</p> 	<p>No. C Quantity:56 Pcs Sticker Ø20</p> 	<p>No. D Quantity:24 Pcs Dowel 8*40mm</p> 
<p>No. E Quantity:2 Sets Drawer Slider 12"</p> 	<p>No. F Quantity:8 Pcs Screw M4*30mm</p> 	<p>No. G Quantity:16 Pcs Screw M3.5*14mm</p> 	<p>No. H Quantity:7 Sets Foot Pad Ø25*20</p> 
<p>No. I Quantity:2 Pcs Slip Mat Ø20</p> 	<p>No. J Quantity:1 Pcs Handle Ø20*23mm</p> 	<p>No. K Quantity:1 Pcs Screw M4*18mm</p> 	<p>No. L Quantity:4 Pcs Shelf Support M5*15mm</p> 
<p>No. M Quantity:8 Sets Plastic Wedge</p> 			

Product structure



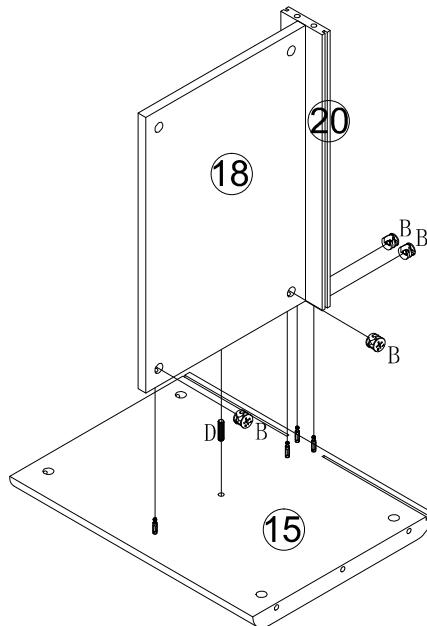
STEP 1



No. A
Quantity: 22 Pcs
8*28 mm



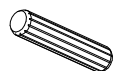
STEP 2



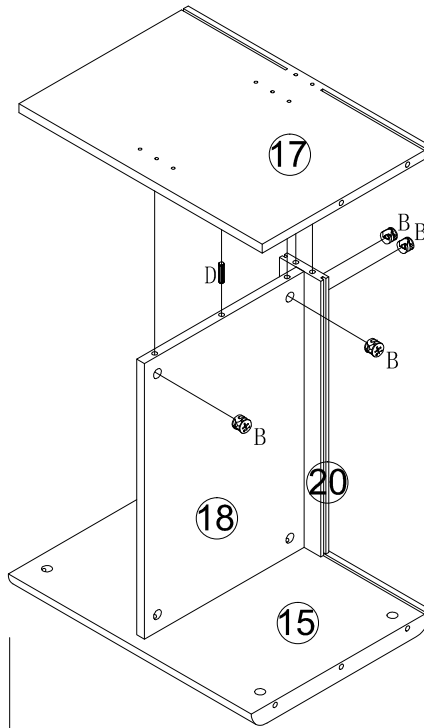
No. B
Quantity: 4 Pcs
Ø15



No. D
Quantity: 1 Pcs
8*30mm



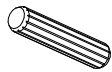
STEP 3



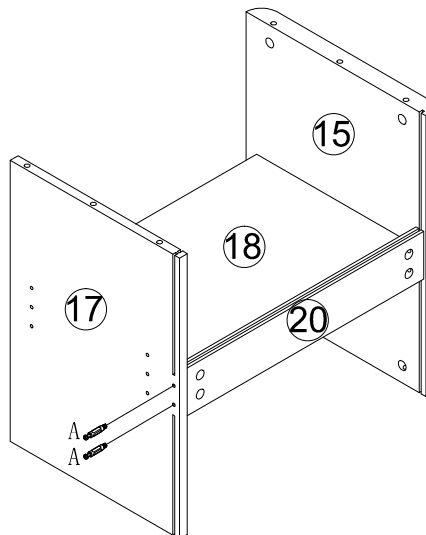
No. B
Quantity: 4 Pcs
Ø15



No. D
Quantity: 1 Pcs
8*30mm



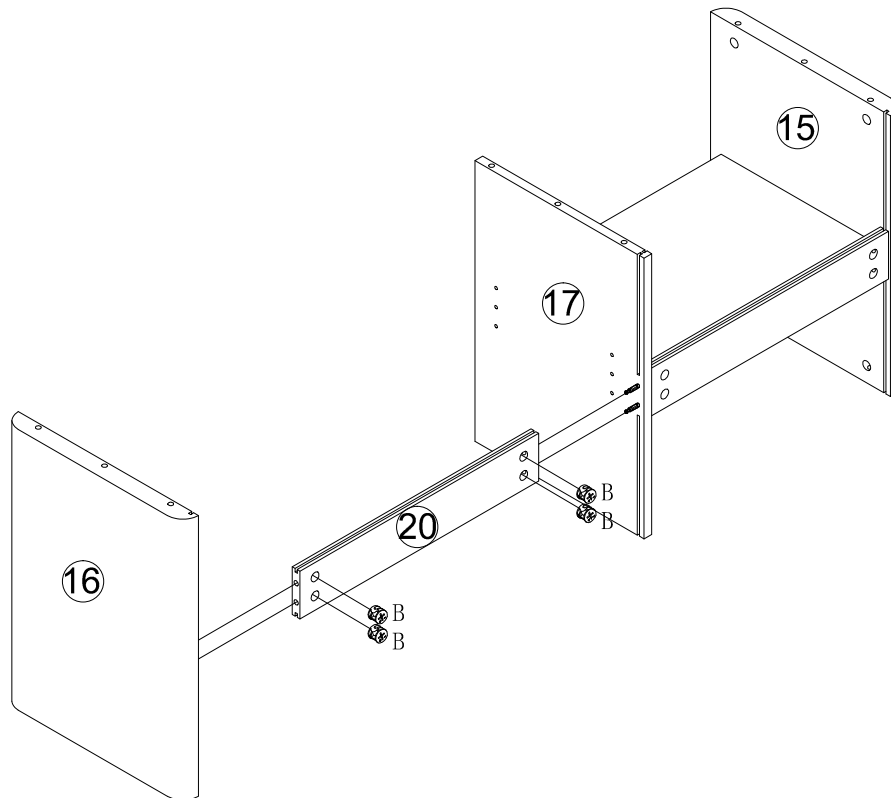
STEP 4



No. A
Quantity: 2 Pcs
8*28 mm



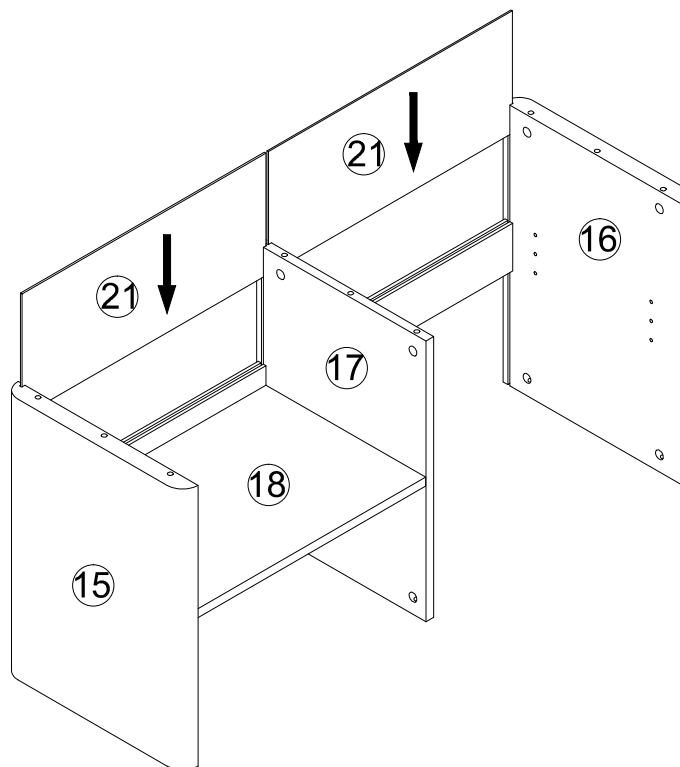
STEP 5



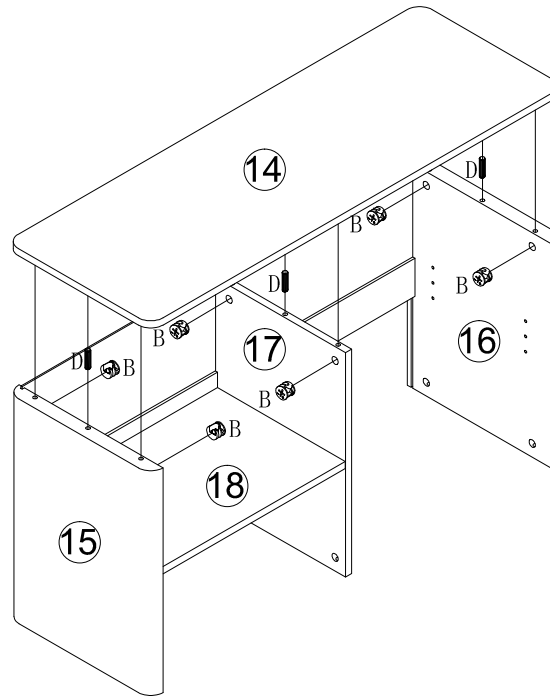
No. B
Quantity: 4 Pcs
Ø15



STEP 6



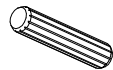
STEP 7



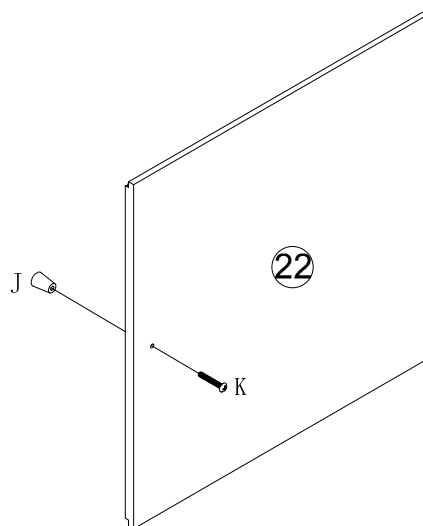
No. B
Quantity: 6 Pcs
Ø15



No. D
Quantity: 3 Pcs
8*30mm



STEP 8



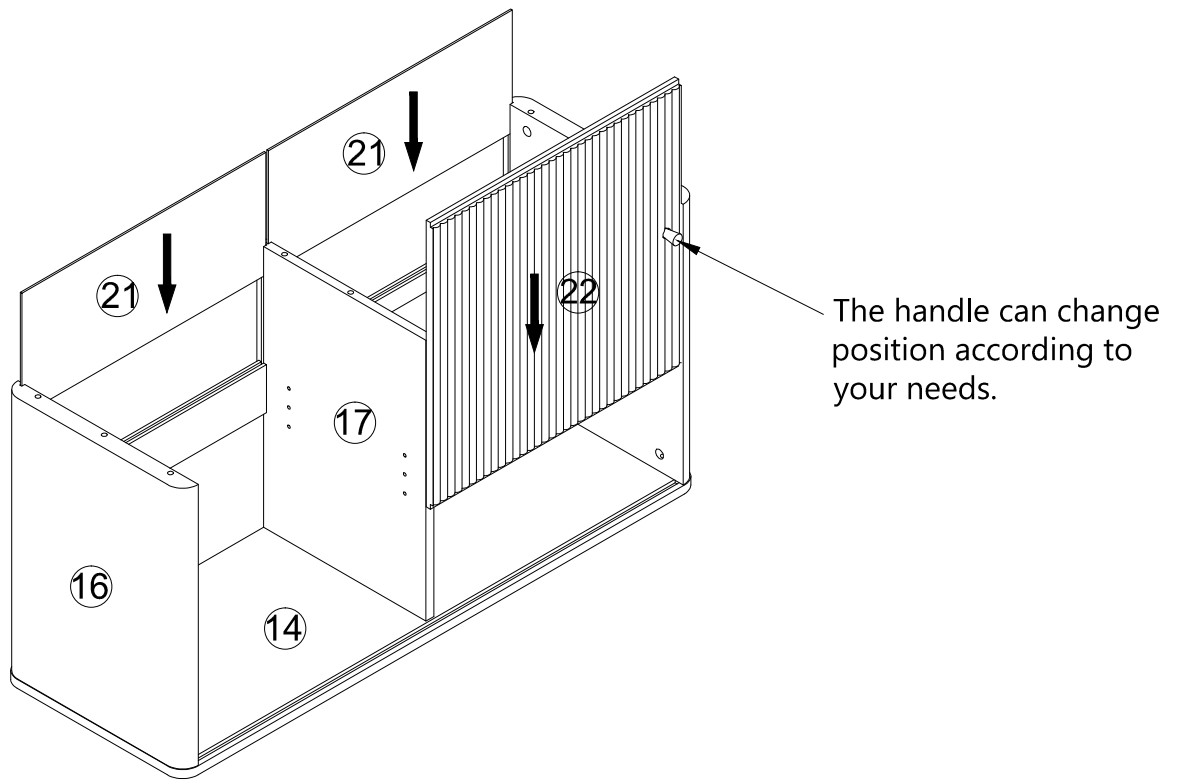
No. J
Quantity: 1 Pcs
Ø20*23mm



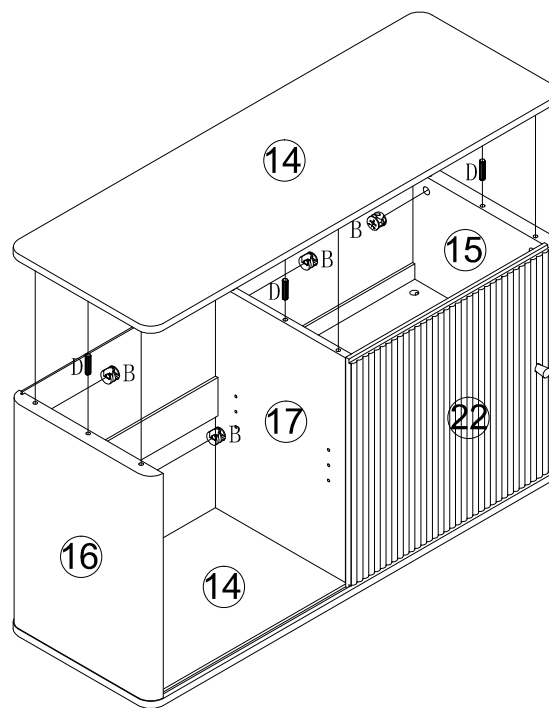
No. K
Quantity: 1 Pcs
M4*18mm



STEP 9



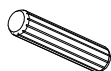
STEP 10



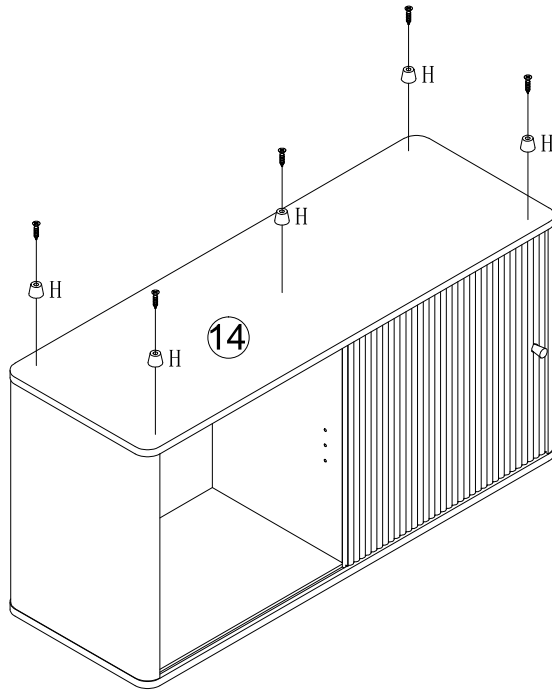
No. B
Quantity: 6 Pcs
Ø15



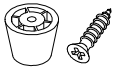
No. D
Quantity: 3 Pcs
8*30mm



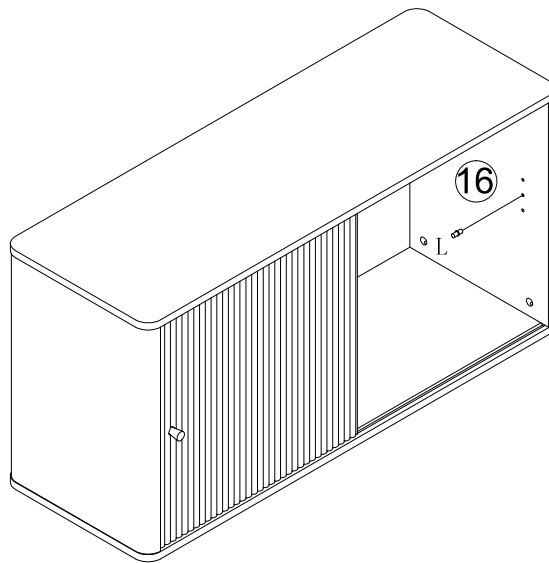
STEP 11



No. H
Quantity: 5 Sets
Ø25*20



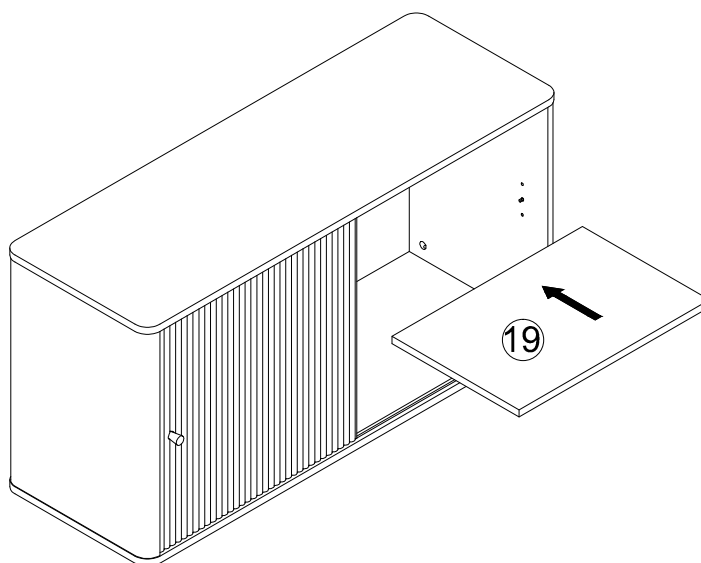
STEP 12



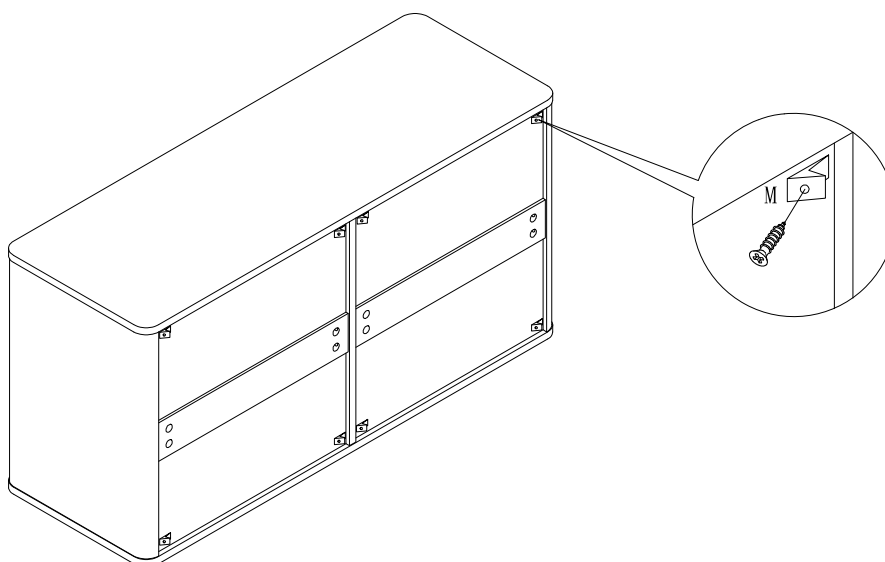
No. L
Quantity: 4 Pcs
M5*15mm



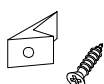
STEP 13



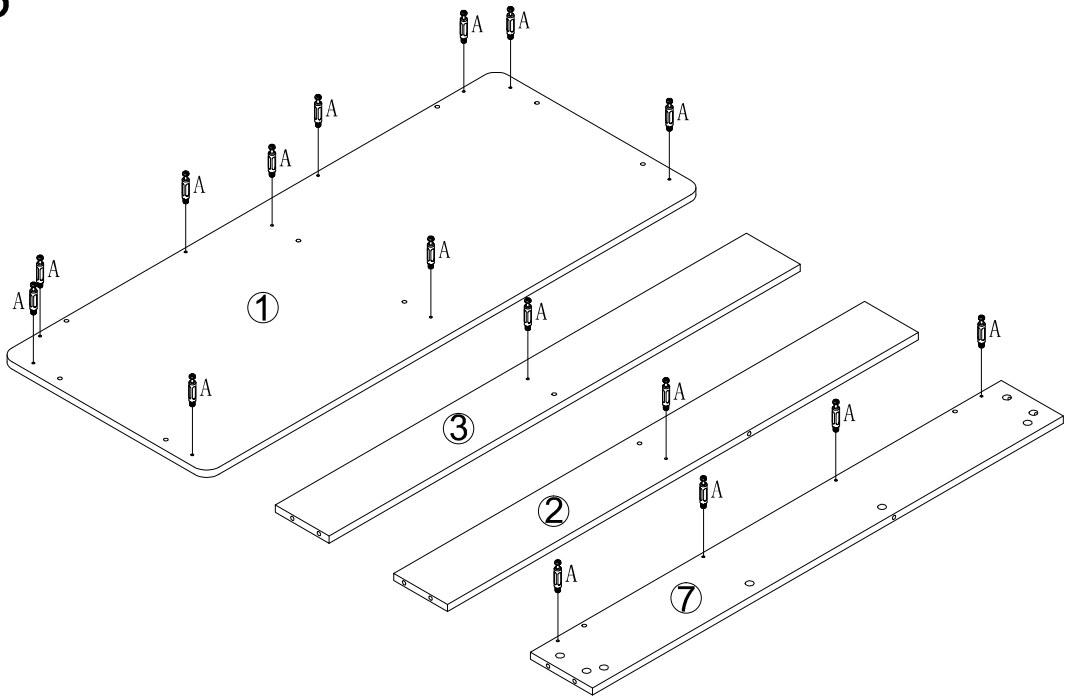
STEP 14



No. M
Quantity: 8 Sets



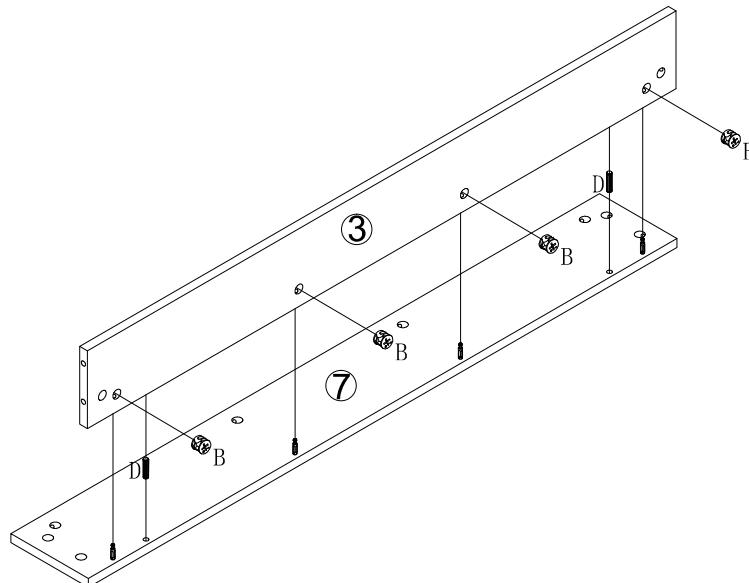
STEP 15



No. A
Quantity: 16 Pcs
8*28 mm



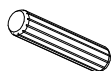
STEP 16



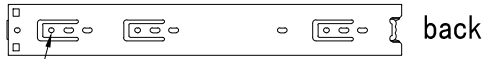
No. B
Quantity: 4 Pcs
Ø15



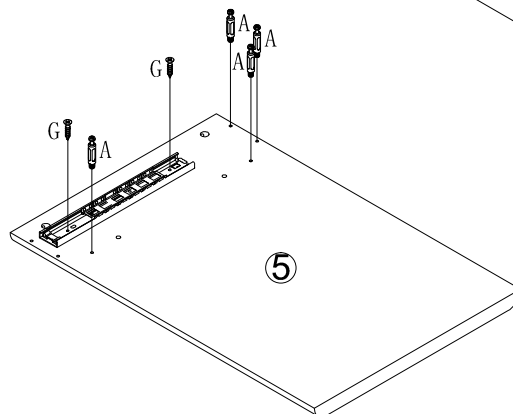
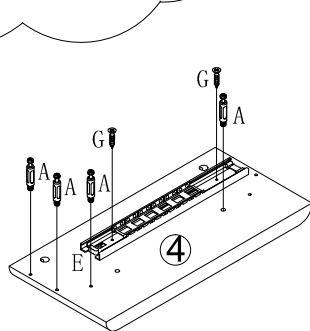
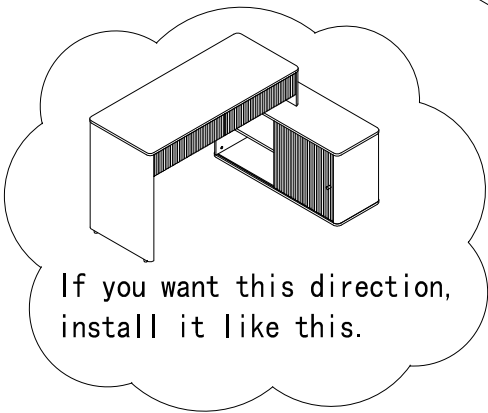
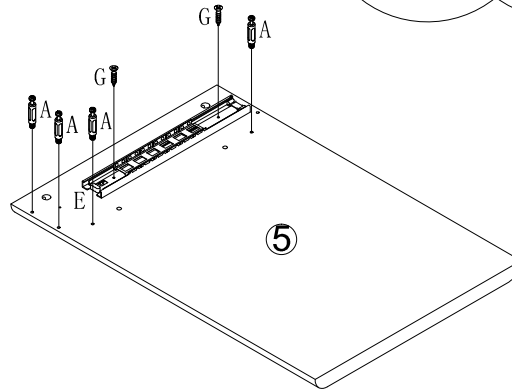
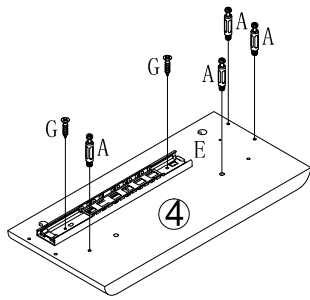
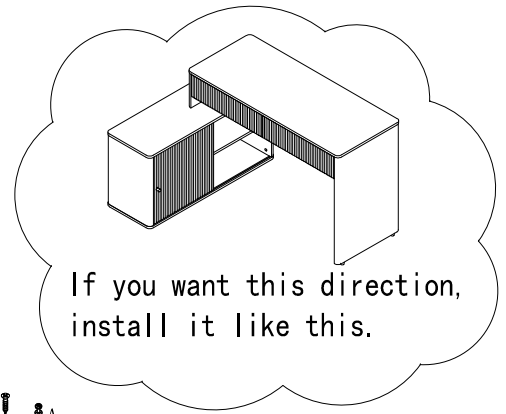
No. D
Quantity: 2 Pcs
8*30mm



STEP 17



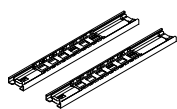
The first screw hole should correspond with the board location hole



No. A
Quantity: 8 Pcs
8*28 mm



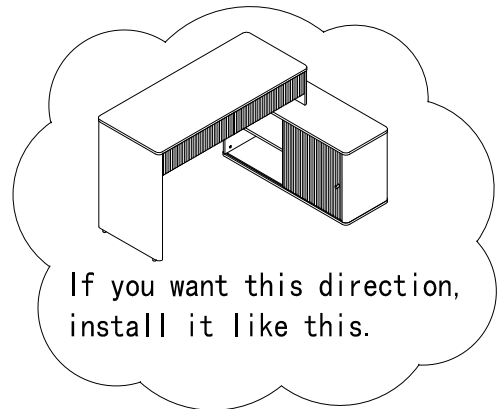
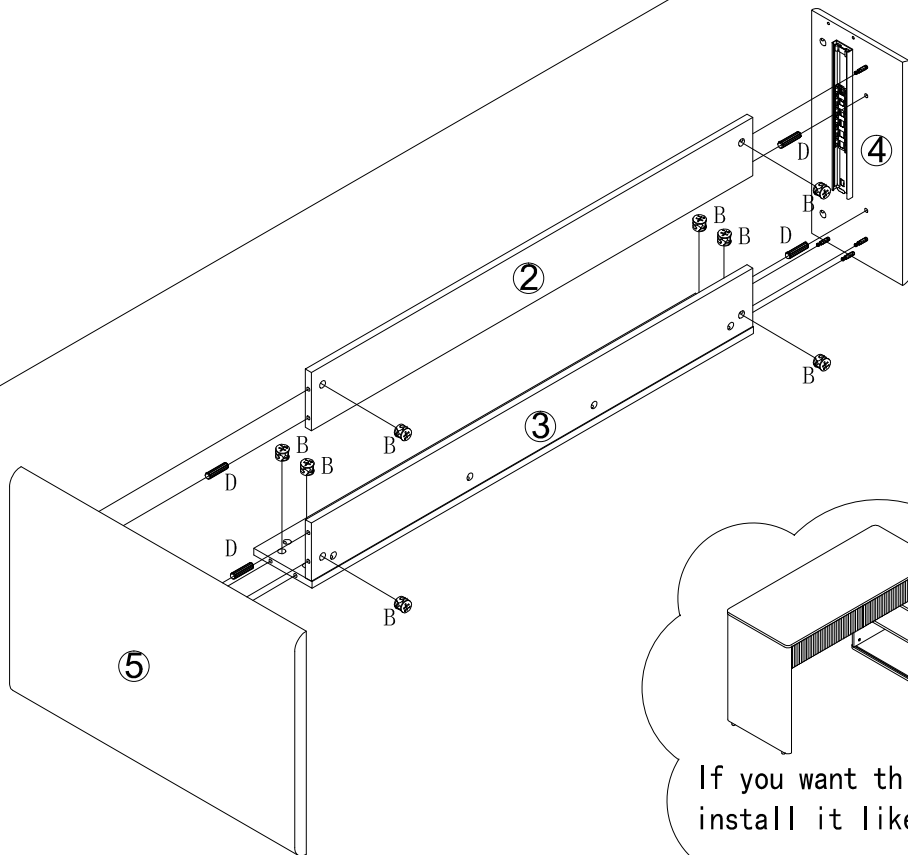
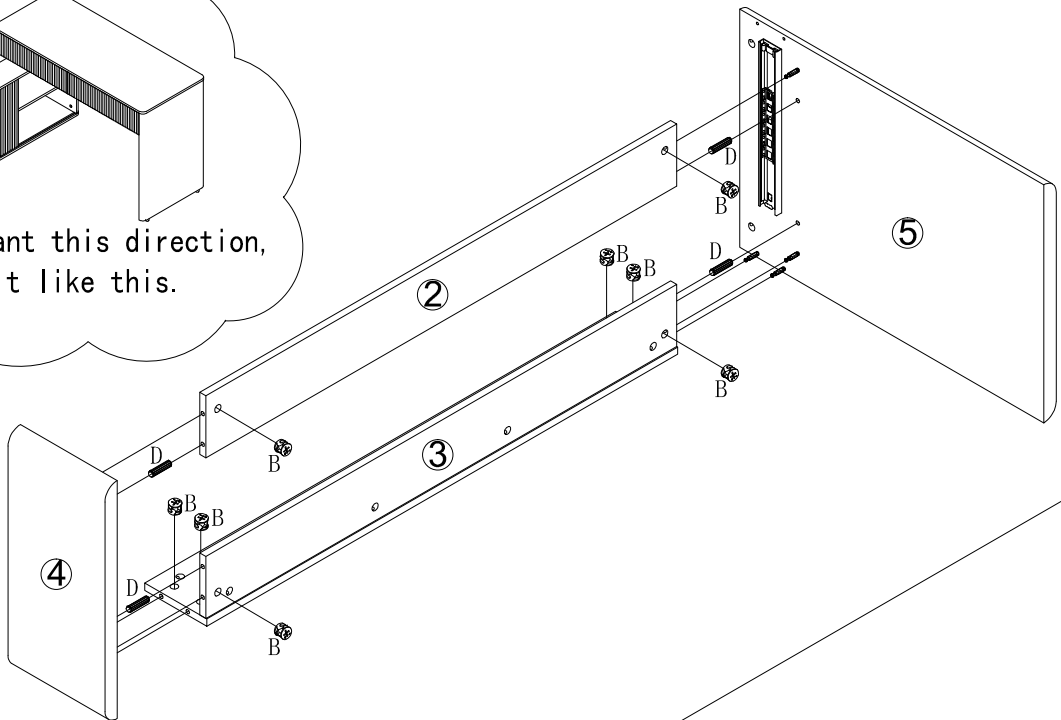
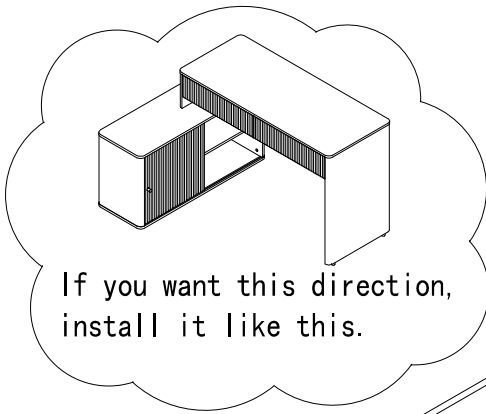
No. E
Quantity: 1 Sets
12"



No. G
Quantity: 4 Pcs
M3.5*14mm



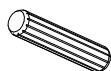
STEP 18



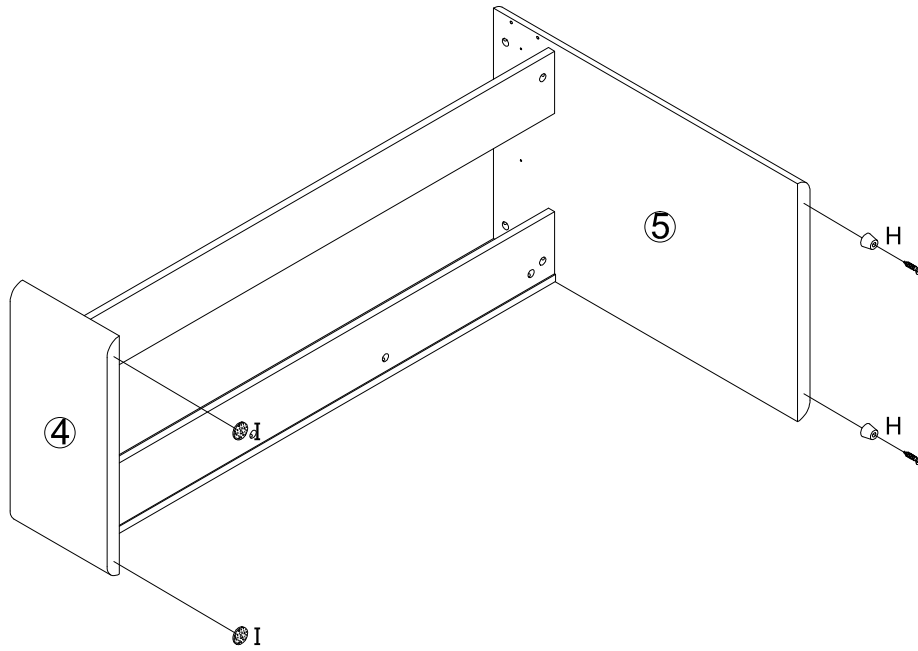
No. B
Quantity: 8 Pcs
Ø15



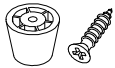
No. D
Quantity: 4 Pcs
8*30mm



STEP 19



No. H
Quantity: 2 Sets
Ø25*20



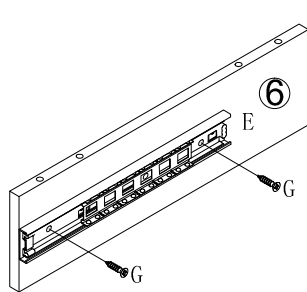
No. I
Quantity: 2 Pcs
Ø20



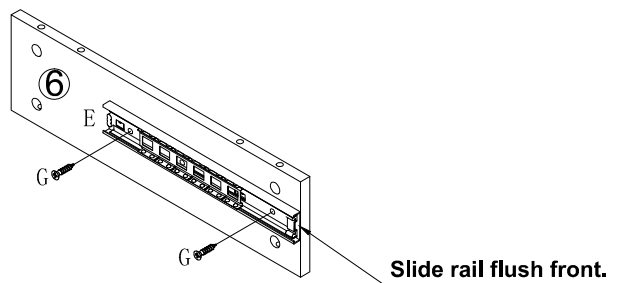
STEP 20



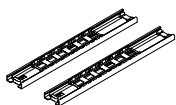
The first screw hole should corresponded with the board location hole



Flip to the other side.



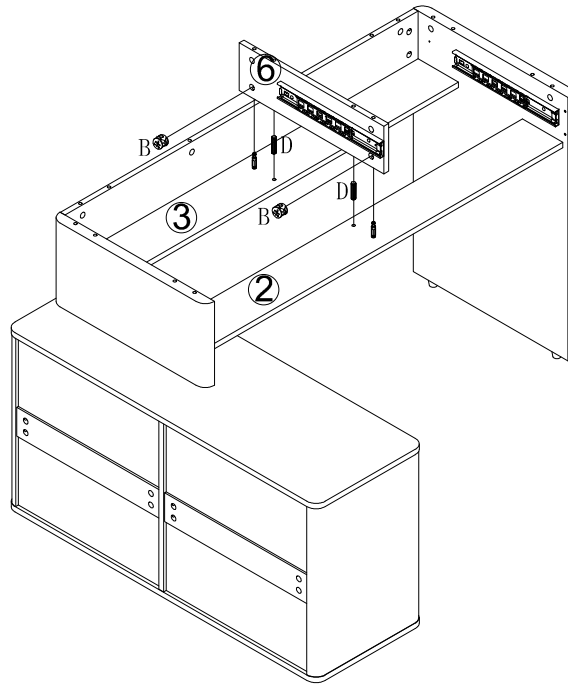
No. E
Quantity: 1 Sets
12"



No. G
Quantity: 4 Pcs
M3.5*14mm



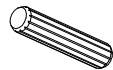
STEP 21



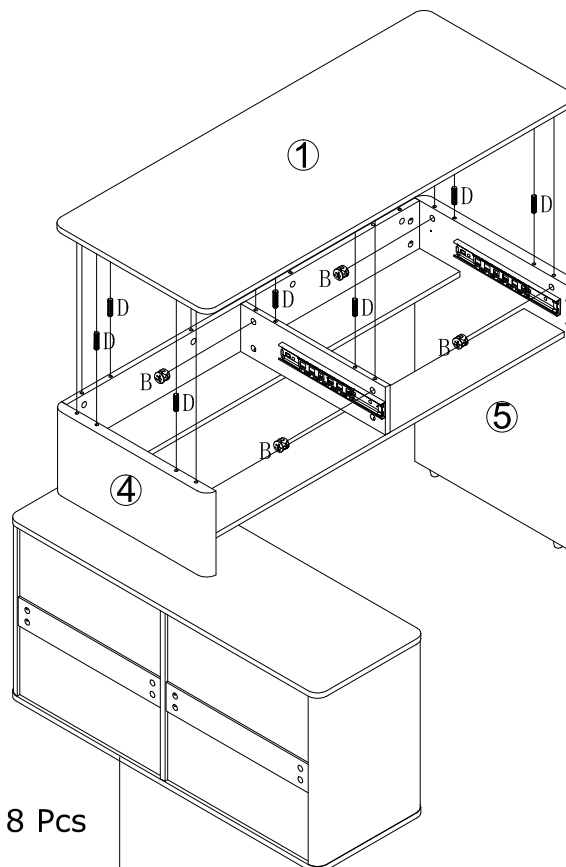
No. B
Quantity: 2 Pcs
Ø15



No. D
Quantity: 2 Pcs
8*30mm



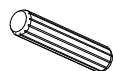
STEP 22



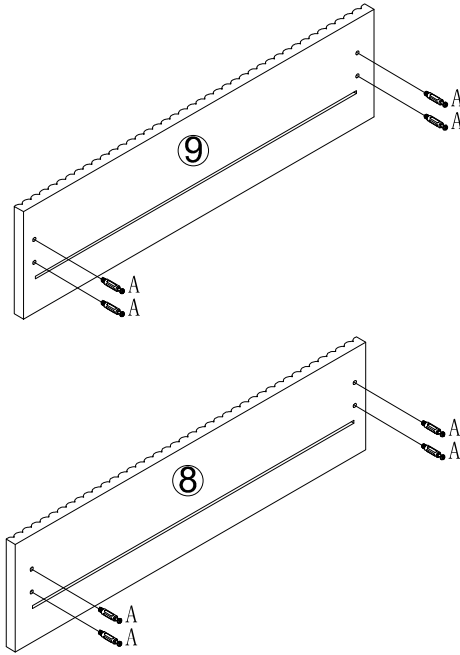
No. B
Quantity: 10 Pcs
Ø15



No. D
Quantity: 8 Pcs
8*30mm



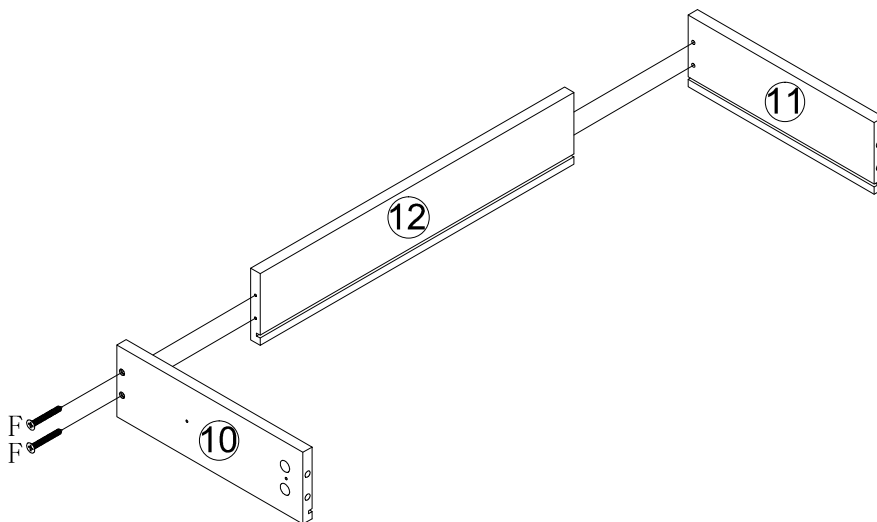
STEP 23



No. A
Quantity: 8 Pcs
8*28 mm

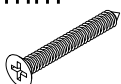


STEP 24

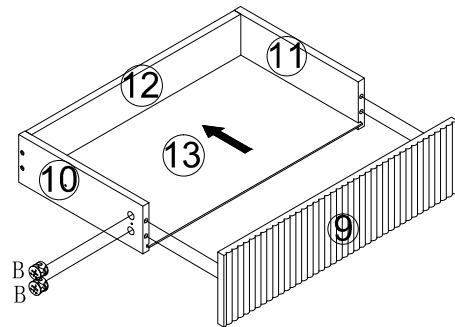
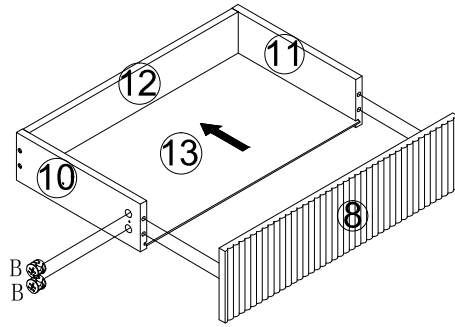


x2

No. F
Quantity: 8 Pcs
M4*30mm



STEP 25



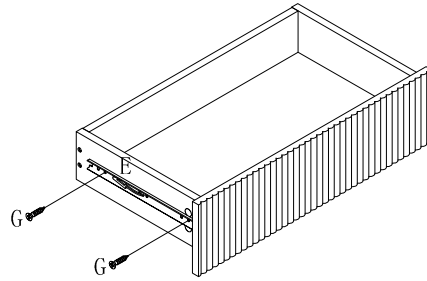
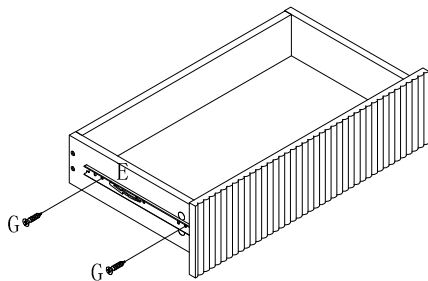
No. B
Quantity: 8 Pcs
Ø15



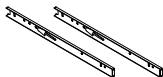
STEP 26



The first screw hole should corresponded with the board location hole



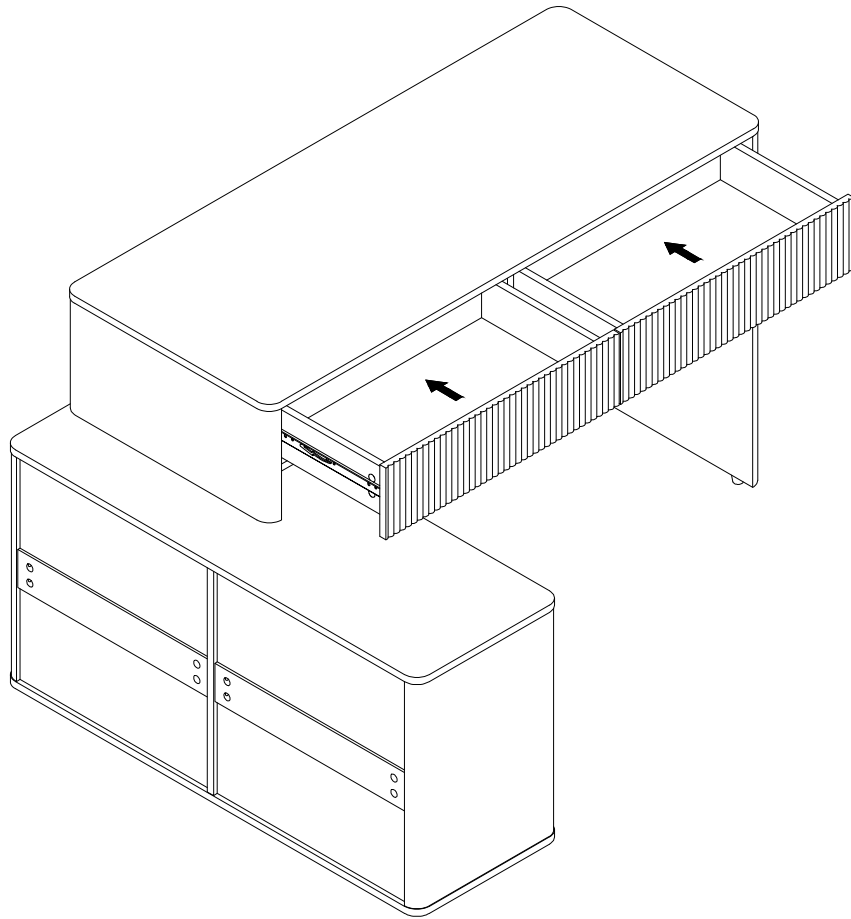
No. E
Quantity: 2 Sets
12"



No. G
Quantity: 8 Pcs
M3.5*14mm



STEP 27



STEP 28

