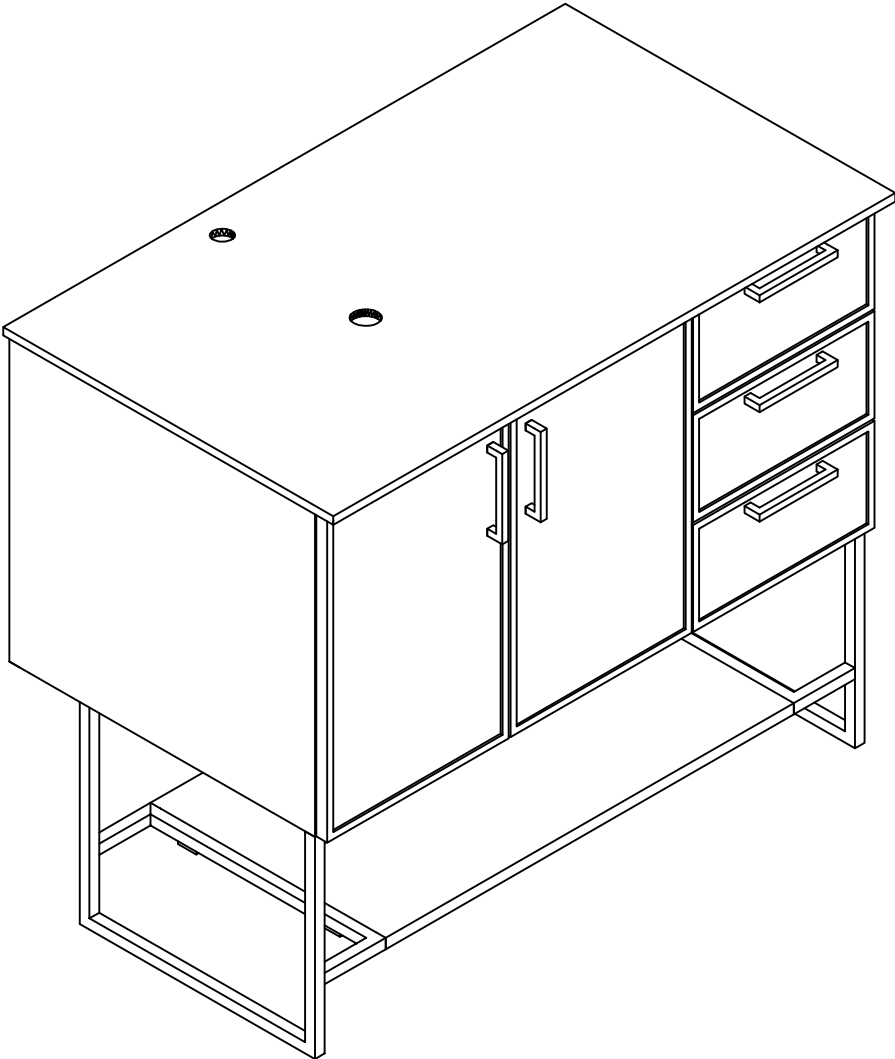
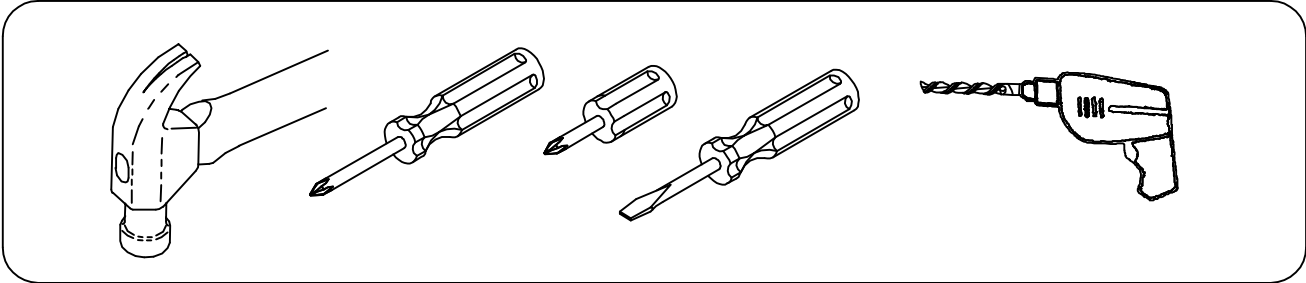


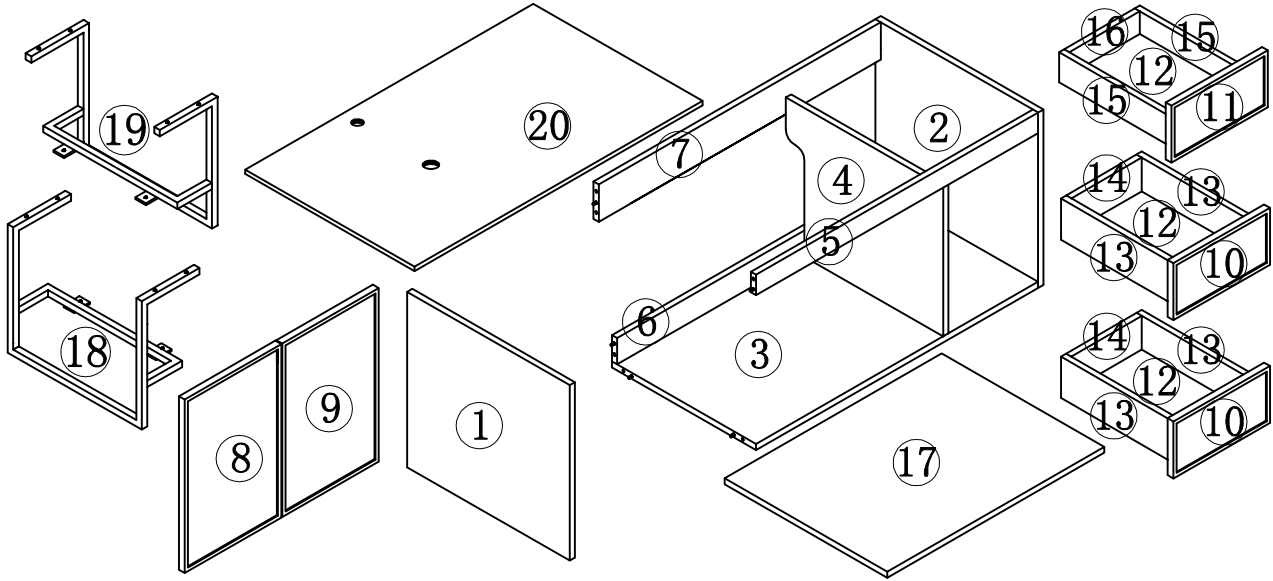
DIMENSIONS






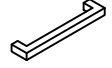

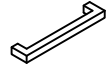






YOU MAY NEED (NOT SUPPLY)





ASSEMBLY DIAGRAM



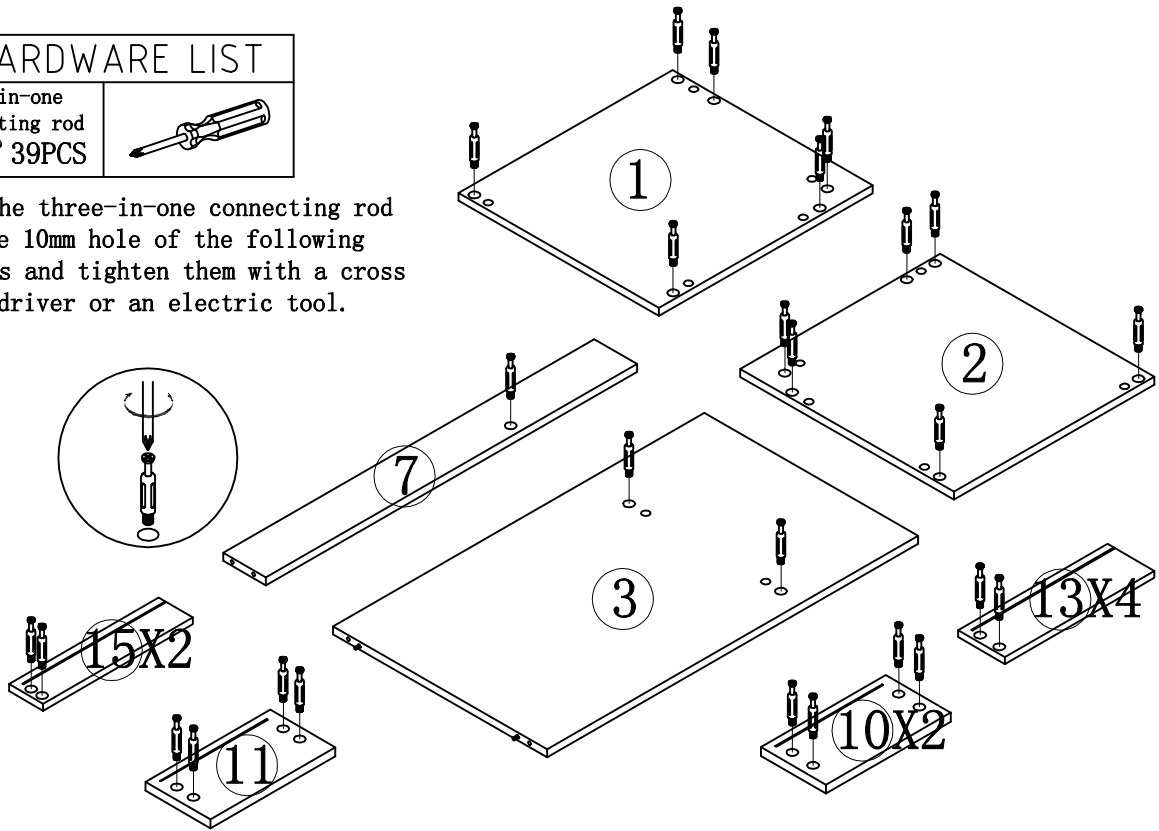
PARTS LIST					
NO	DESCRIPTION	QTY	NO	DESCRIPTION	QTY
①	Left side panel	1	⑪	upper drawer panel	1
②	Right side panel	1	⑫	drawer bottom	3
③	Bottom panel	1	⑬	Middle and lower drawer side panels	4
④	middle side panel	1	⑭	Middle and lower drawer back panel	2
⑤	front pull-up	1	⑮	upper drawer side panel	2
⑥	front drop bar	1	⑯	Upper drawer back panel	1
⑦	rear pull-up bar	1	⑰	lower board	1
⑧	Left door panel	1	⑱	Left iron frame	1
⑨	Right door panel	1	⑲	Right iron frame	1
⑩	Middle and lower drawer panels	2	⑳	Countertop Panel	1

PARTS LIST					
HARDWARE LIST					
NO	DESCRIPTION	QTY	NO	DESCRIPTION	QTY
A	Three-in-one eccentric wheel 	39	G	4*20mm screw 	10
B	Three-in-one connecting rod 	39	H	Door handle 	2
C	Three-in-one sticker 	39	I	Drawer handle 	3
D	8*40mm wood dowel pins 	13	J	Door hinge 	4
E	Drawer slides 	6	K	5*14mm screw 	8
F	4*16mm screw 	60	L	5*30mm screw 	8
CAUTION: Please confirm the parts list before installation					

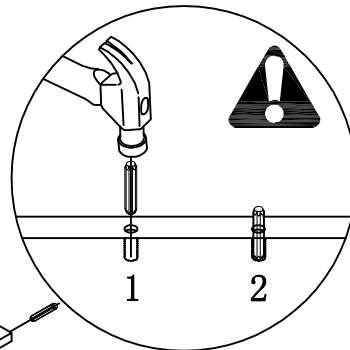
STEP 1

HARDWARE LIST	
Three-in-one connecting rod B  39PCS	

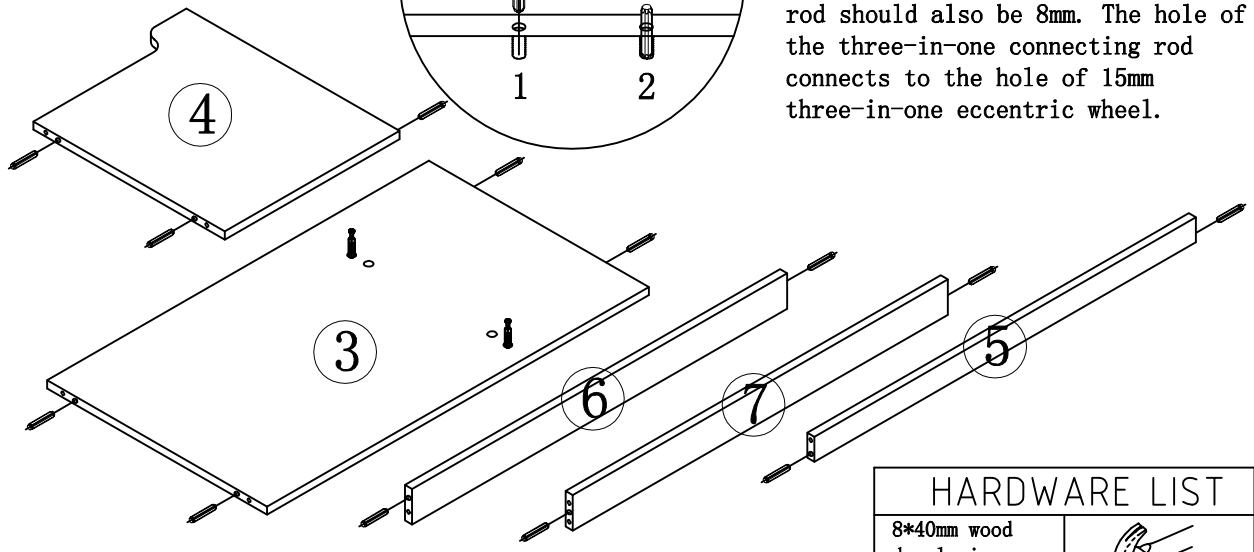
1. Put the three-in-one connecting rod in the 10mm hole of the following panels and tighten them with a cross screwdriver or an electric tool.





STEP 2

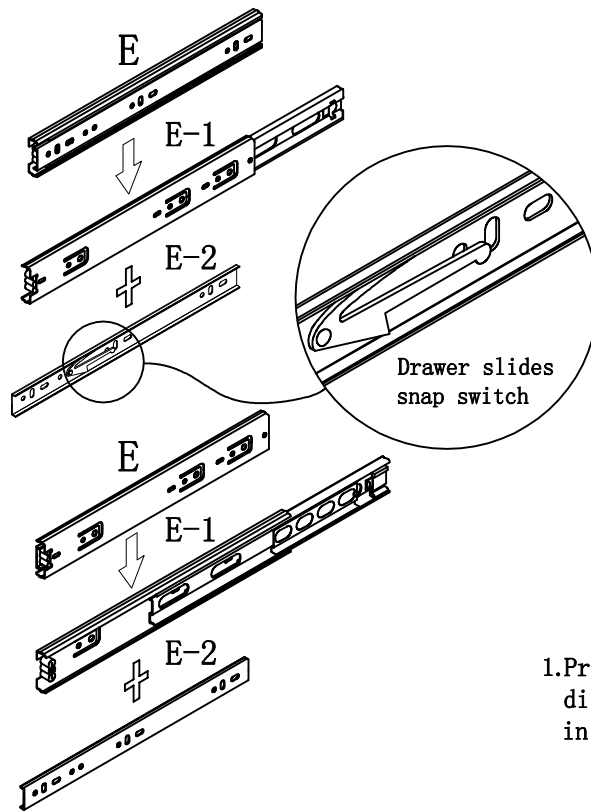


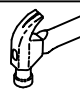

1. Strike the 08*40mm wood dowel pin into the 8mm hole of the above panels with an iron hammer. Please note that the hole of the three-in-one connecting rod should also be 8mm. The hole of the three-in-one connecting rod connects to the hole of 15mm three-in-one eccentric wheel.



HARDWARE LIST	
8*40mm wood dowel pins D  13PCS	

STEP 3

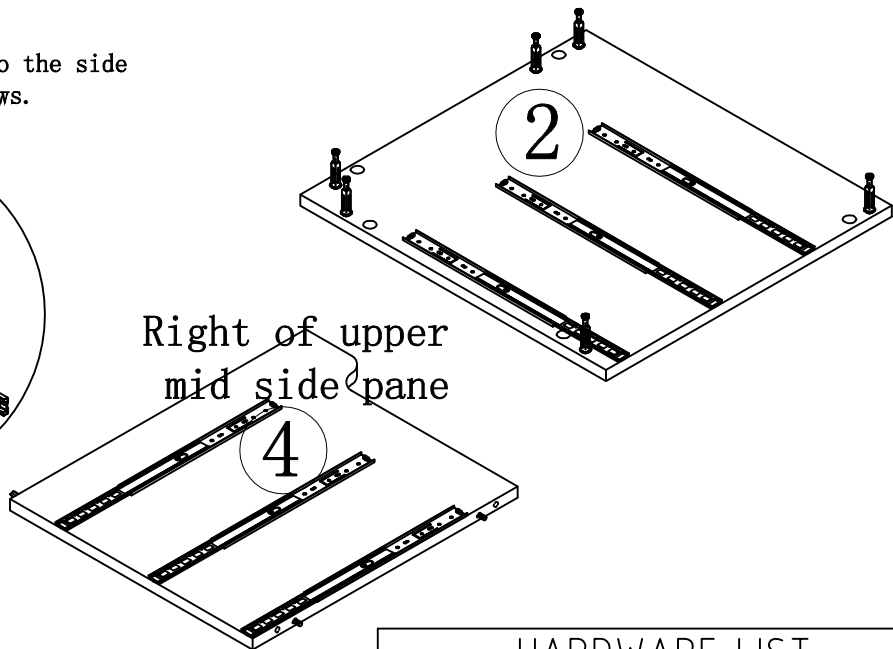
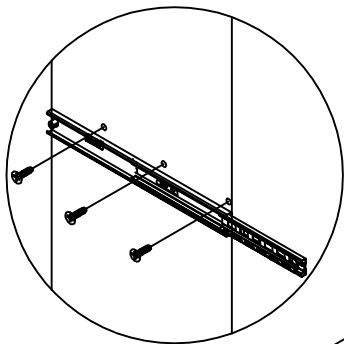


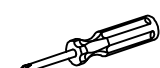


HARDWARE LIST	
Drawer slides	
E  6PCS	

1. Press the slide snap switch, disassemble slide blocks and put them in a place properly for further use.

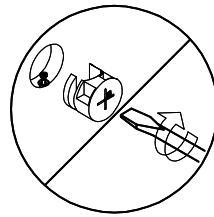
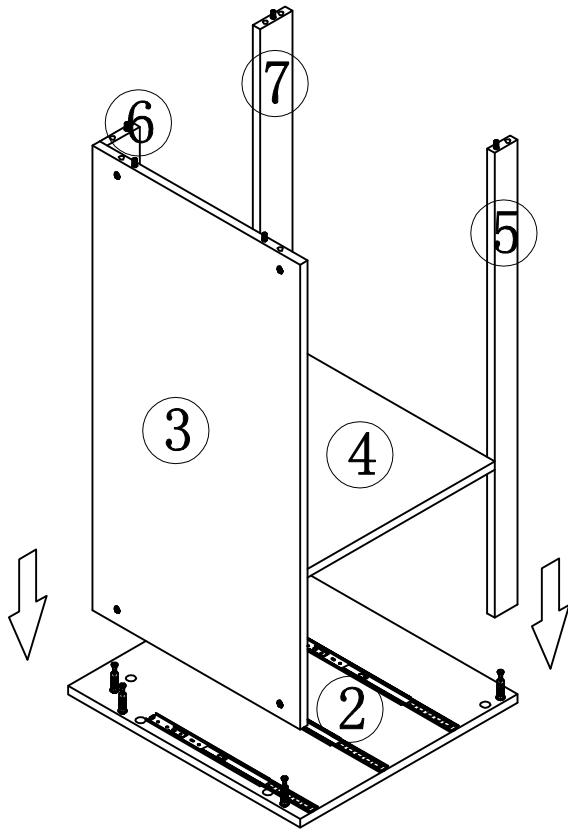
STEP 4

1. Fix the drawer slide to the side panel with 4*16mm screws.

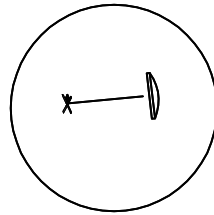


HARDWARE LIST		
4*16mm screw	Drawer slides	
F  18PCS	E-1  6PCS	




STEP 5



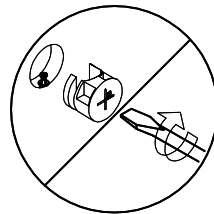
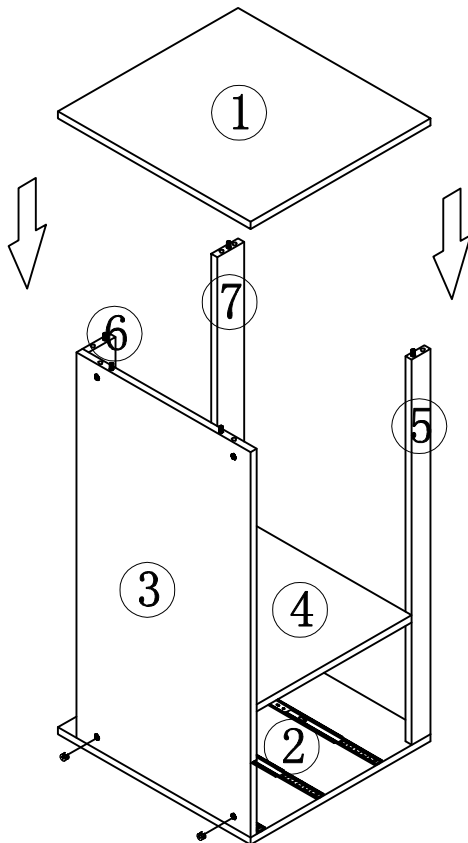
1. Connect No. 3-5-6-7 panel to No. 2 panel tightly with the three-in-one eccentric wheel.



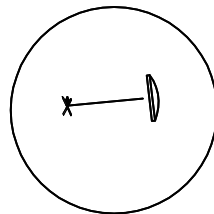
2. Cover the mounting hole of the eccentric wheel with a three-in-one sticker.

HARDWARE LIST		
Three-in-one eccentric wheel A  9PCS	Three-in-one sticker C  9PCS	




STEP 6



1. Connect No. 1 panel to No. 3-5-6-7 panel tightly with the three-in-one eccentric wheel.

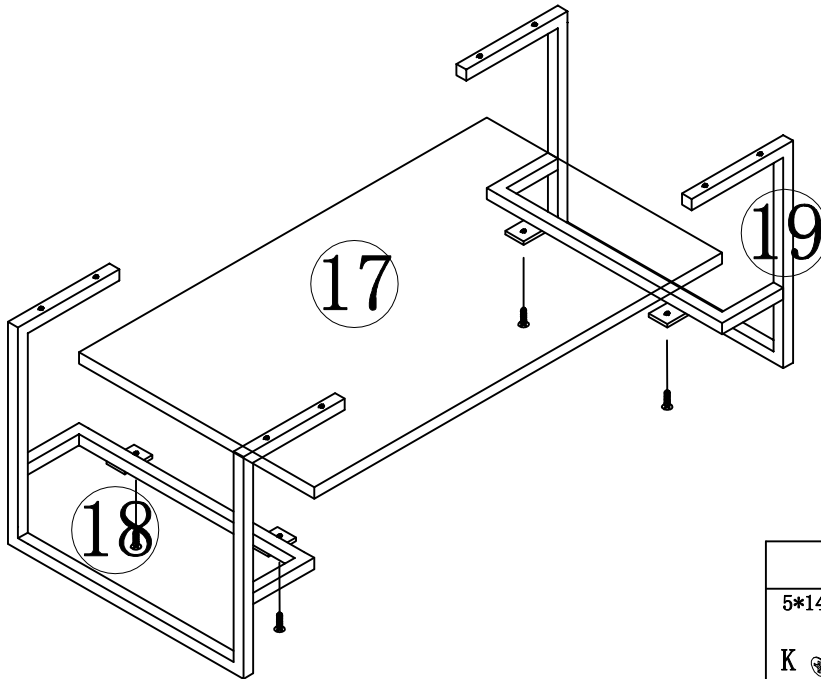


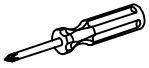

2. Cover the mounting hole of the eccentric wheel with a three-in-one sticker.

HARDWARE LIST		
Three-in-one eccentric wheel A  6PCS	Three-in-one sticker C  6PCS	

STEP 7

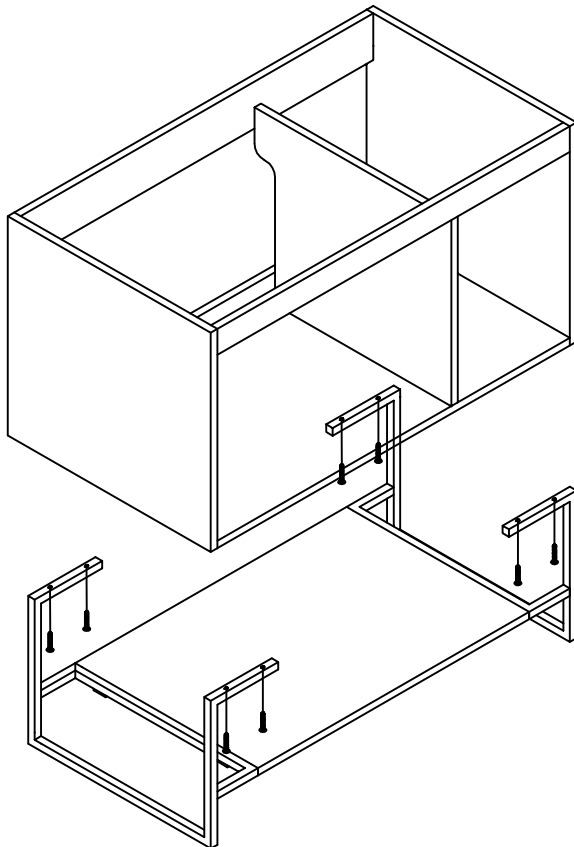
1. Use 5*14mm self-tapping screws to install the No. 17 lower board to the No. 18-19 iron frame feet.

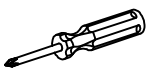



HARDWARE LIST	
5*14mm screw	
K  8PCS	

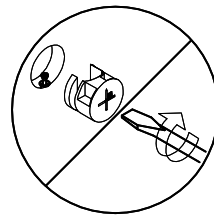
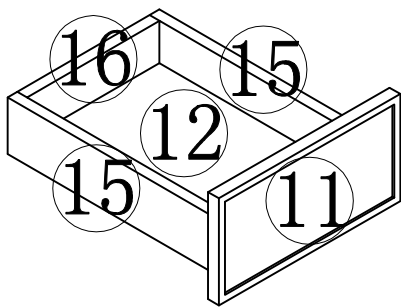
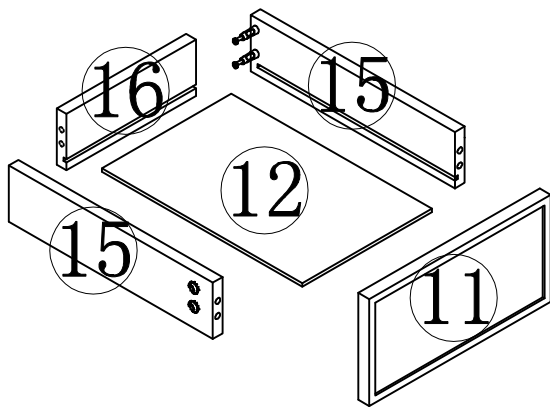
STEP 8

1. Use 5*30mm self-tapping screws to install the cabinet to the iron frame feet and fix it.

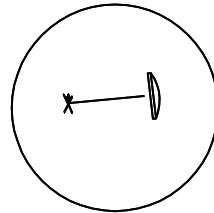


HARDWARE LIST	
5*30mm screw	
L  8PCS	




STEP 9



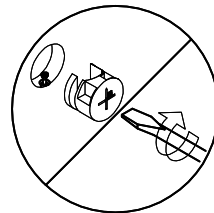
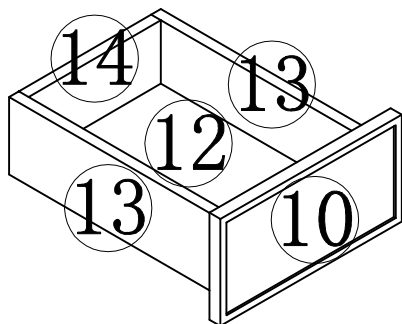
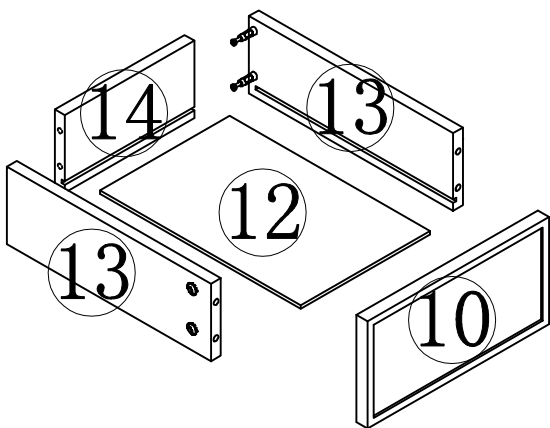
1. Install No. 11-12-15-16 panels with the three-in-one eccentric wheel tightly.



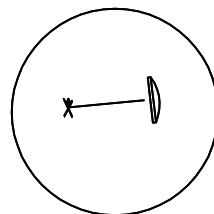
2. Cover the mounting hole of the eccentric wheel with a three-in-one sticker.

HARDWARE LIST		
Three-in-one eccentric wheel A  8PCS	Three-in-one sticker C  8PCS	




STEP 10



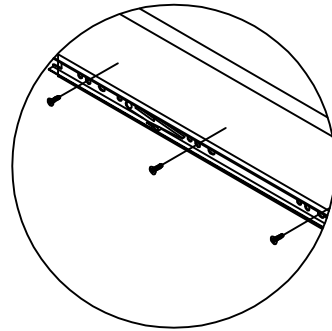
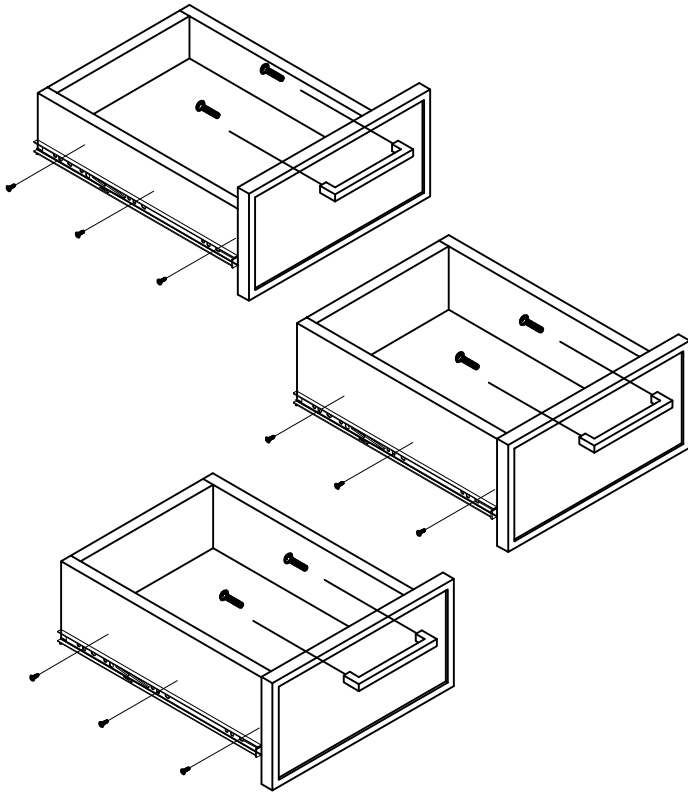
1. Install No. 10-12-13-14 panels with the three-in-one eccentric wheel tightly.



2. Cover the mounting hole of the eccentric wheel with a three-in-one sticker.

HARDWARE LIST		
Three-in-one eccentric wheel A  16PCS	Three-in-one sticker C  16PCS	

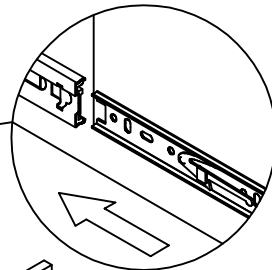
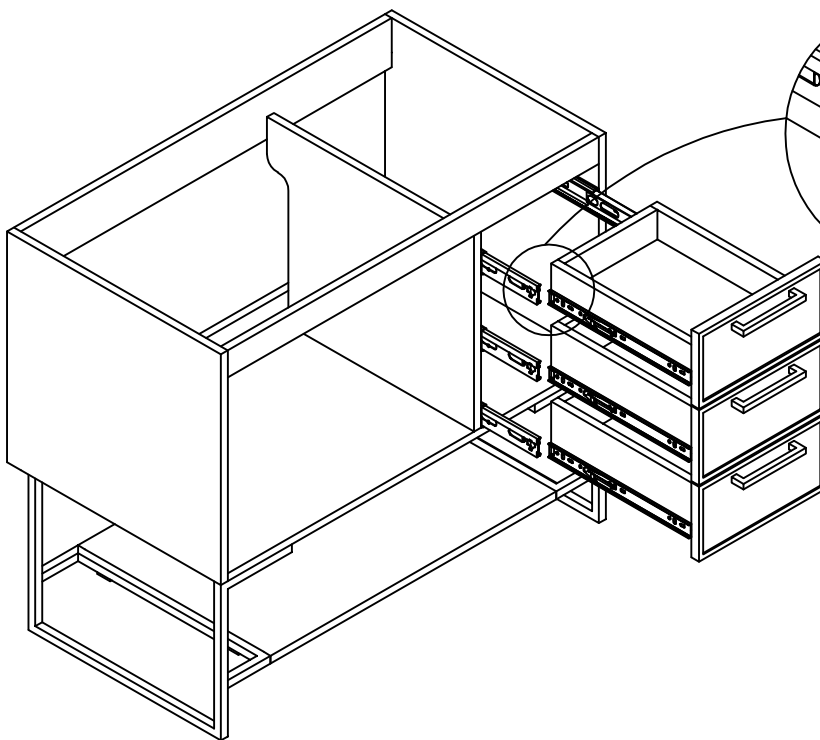
STEP 11



- 1.Lock the spare drawer slide block to the drawer.
- 2.Install the drawer handle with 4*20 handle screws.

HARDWARE LIST		
4*16mm screw	Drawer slides	
F 18PCS	E-2 6PCS	
4*20mm screw	Drawer handle	
G 6PCS	I 3PCS	

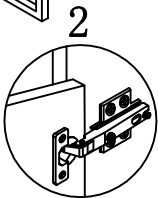
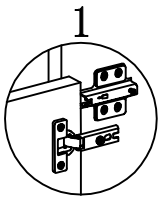
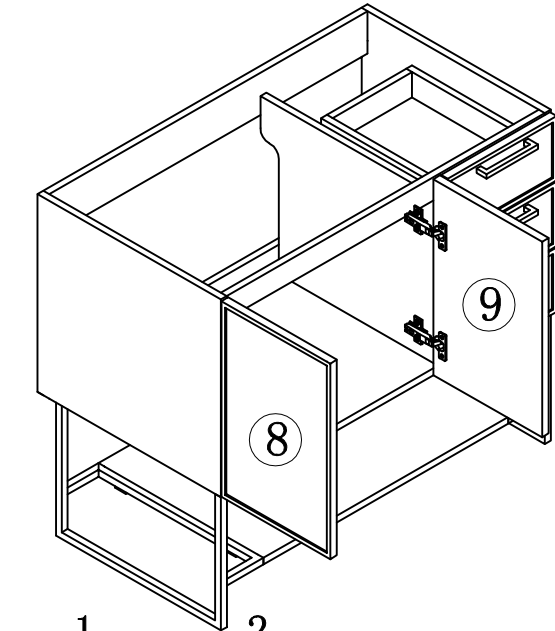
STEP 12



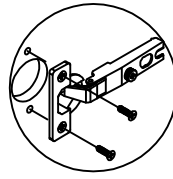
- 1.Align slide block with the trough on the guide rail, press the snap switch and press it forward to install the drawer.

- 2.Install drawer handles.

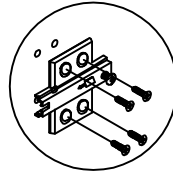
STEP 13



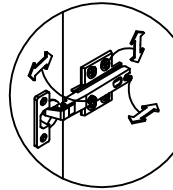
3. Install the hinge cup on the door panel to the hinge of the side panel.



1. Install the hinge cup to the door panel with 4*16mm screws.

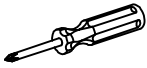




2. Install the hinge to the side panel with 4*16mm screws.

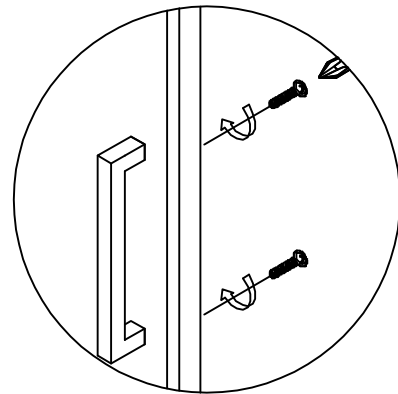
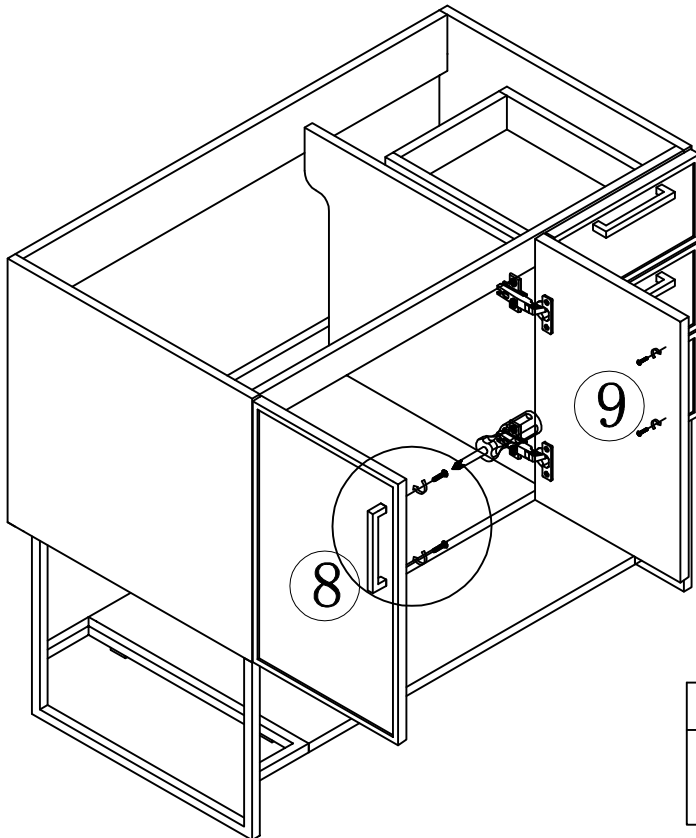


4. Adjust the door panel clearance.

HARDWARE LIST

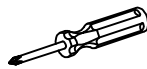

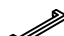
4*16mm screw	Door hinge	
F  24PCS	J  4PCS	

STEP 14

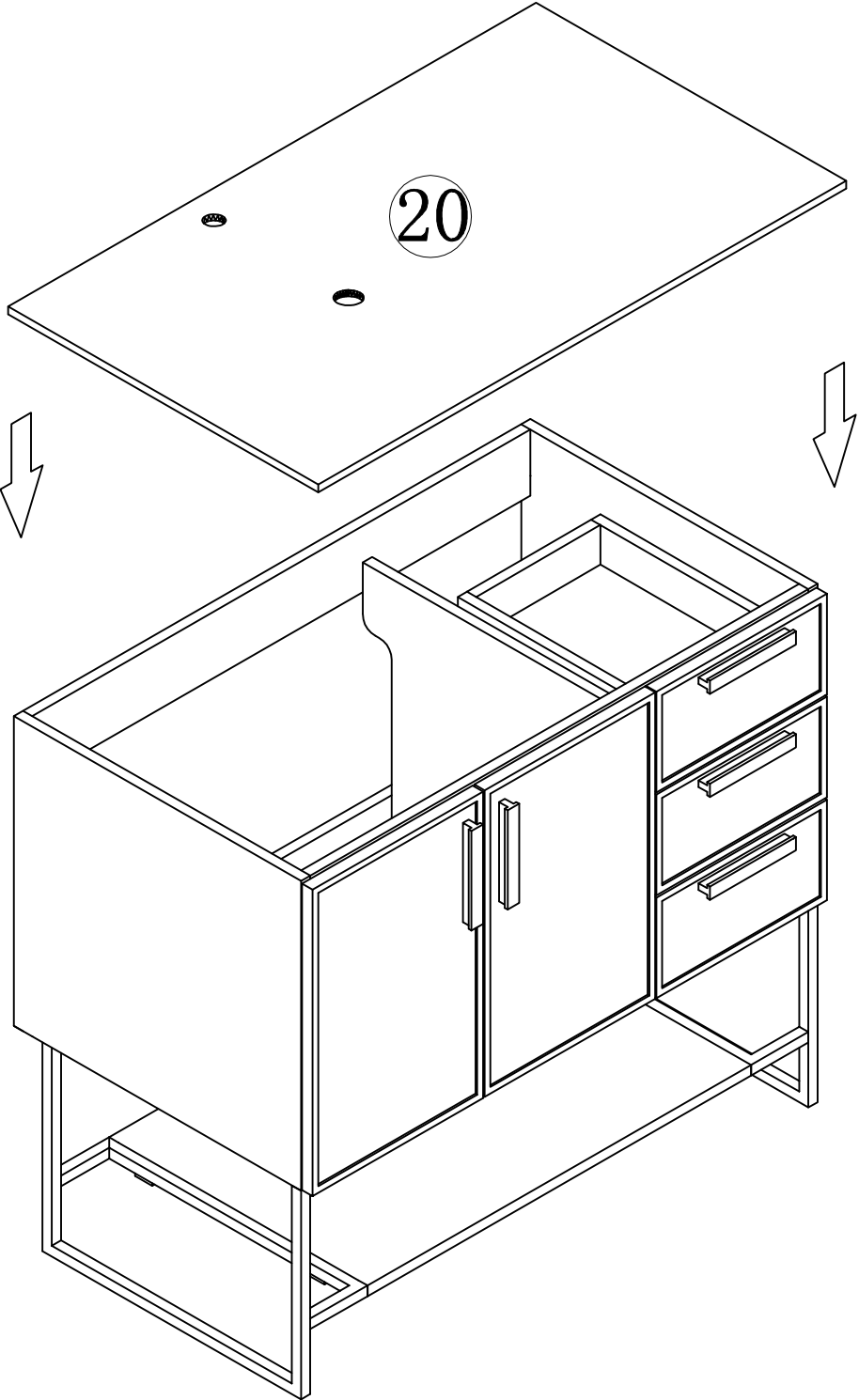


1. Install the door handle with 4*20mm handle screws.

HARDWARE LIST

4*20mm screw	Door handle	
G  4PCS	H  2PCS	

STEP 15



1. Put #20 countertop panel on the top of the cabinet.



Choking hazard-Small Parts : This unit contains small parts, not for children under 3 years.

Tip-over hazard : Secure finished unit to wall stud using L-Bracket and wall screw (#10*1.5"W/out provided). If a wall stud is not neccessible , Consault your local hardware store for appropriate mounting hardware . Failure to properly install will result in product collapse or tip-over. Serious injury can occur .