

Assembly Instructions

8110370 Chairside Table - Espresso

8110371 Chairside Table - Cinnamon

8110372 Chairside Table - Espresso/ Nutmeg Brown

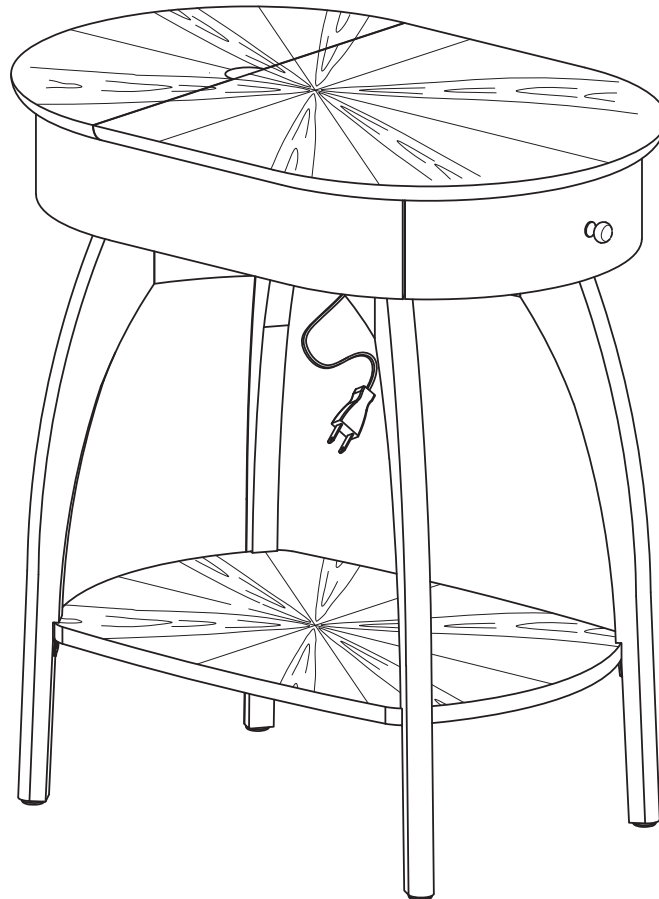
8110374 Chairside Table - Nutmeg Brown

8110375 Chairside Table - Organic Walnut

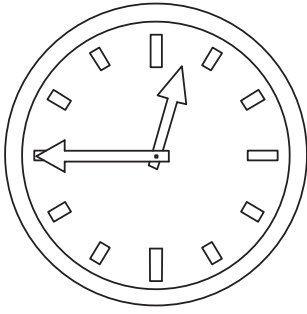
Product Issues? Please Call Us Before Contacting Your Retailer At 1-800-549-3300

Email customerservice@mshome.co, or visit www.mshome.co

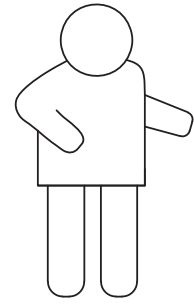
We can help with Assembly Issues, Part Requests, Damages, & All Other Product Related Questions



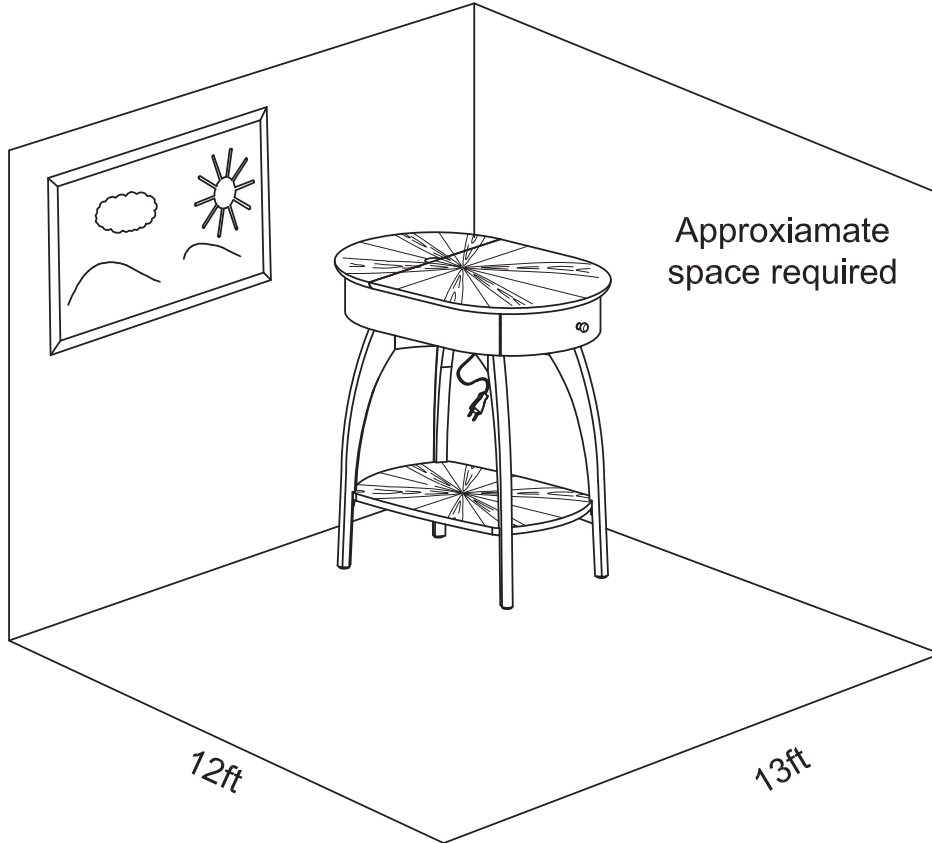
MSH-USA



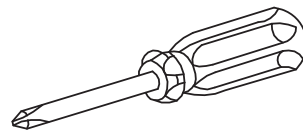
10 min



One People Required



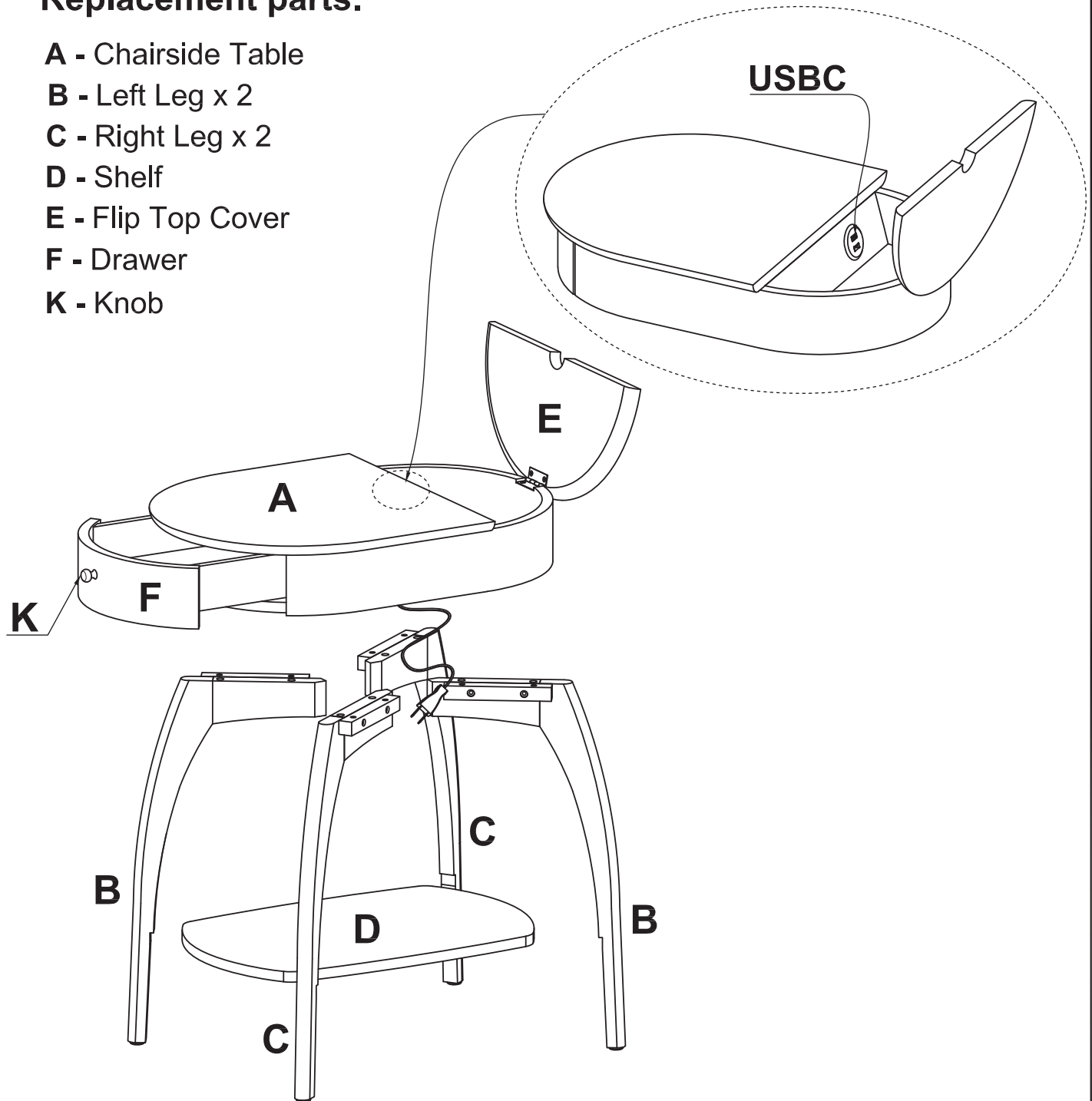
Do not use power tools



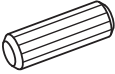
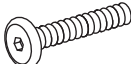


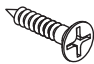
Phillips Head (Not provided)

Replacement parts:

- A - Chairside Table
- B - Left Leg x 2
- C - Right Leg x 2
- D - Shelf
- E - Flip Top Cover
- F - Drawer
- K - Knob

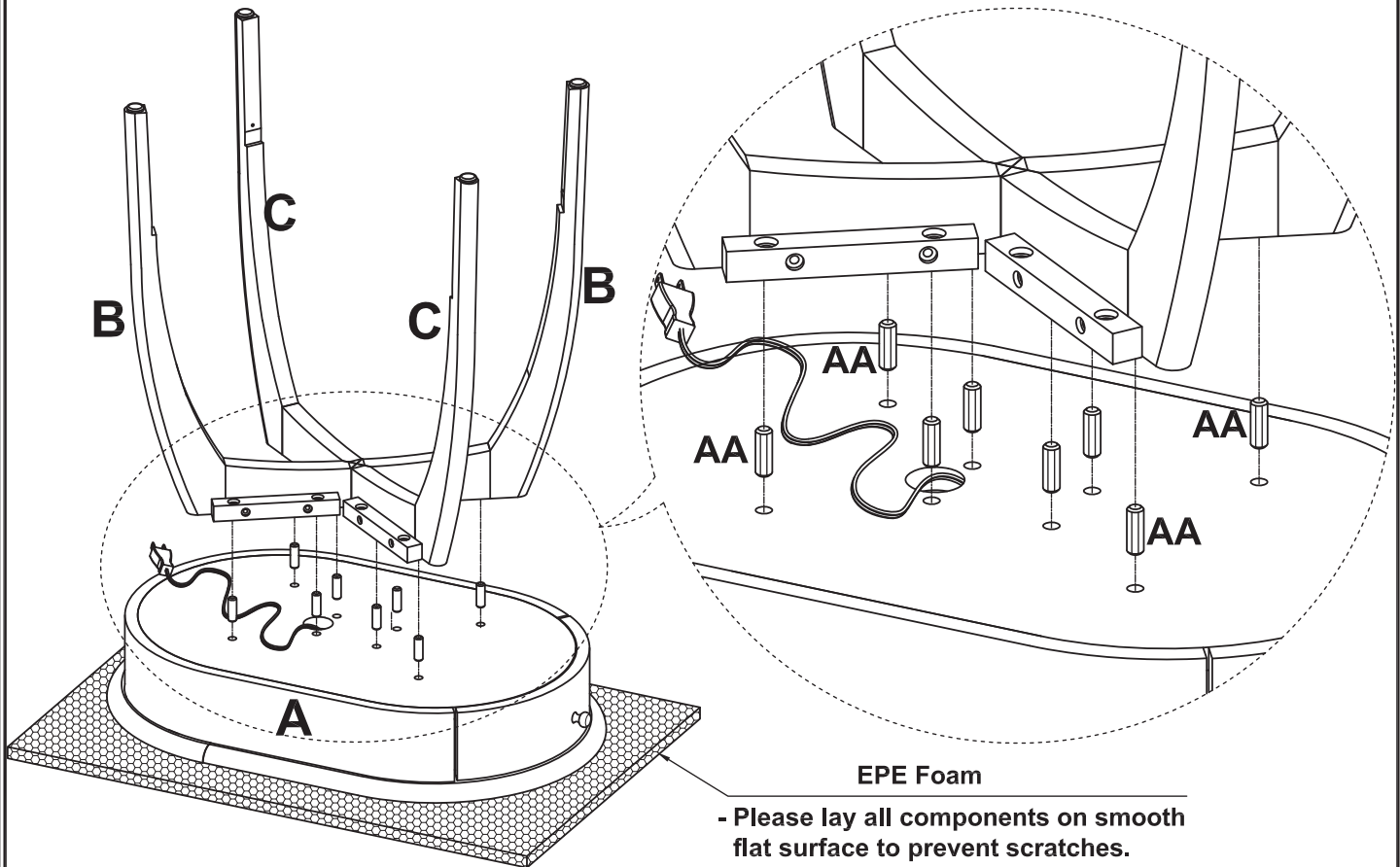
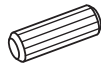


✓ Hardware Pack

AA x 08  Ø10x30 (mm)	BB x 08  Ø6.3x25 (mm)	CC x 01 	DD x 04 	EE x 08  Ø3.5x15 (mm)
---	--	--	---	--

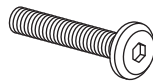
1

AA x 8

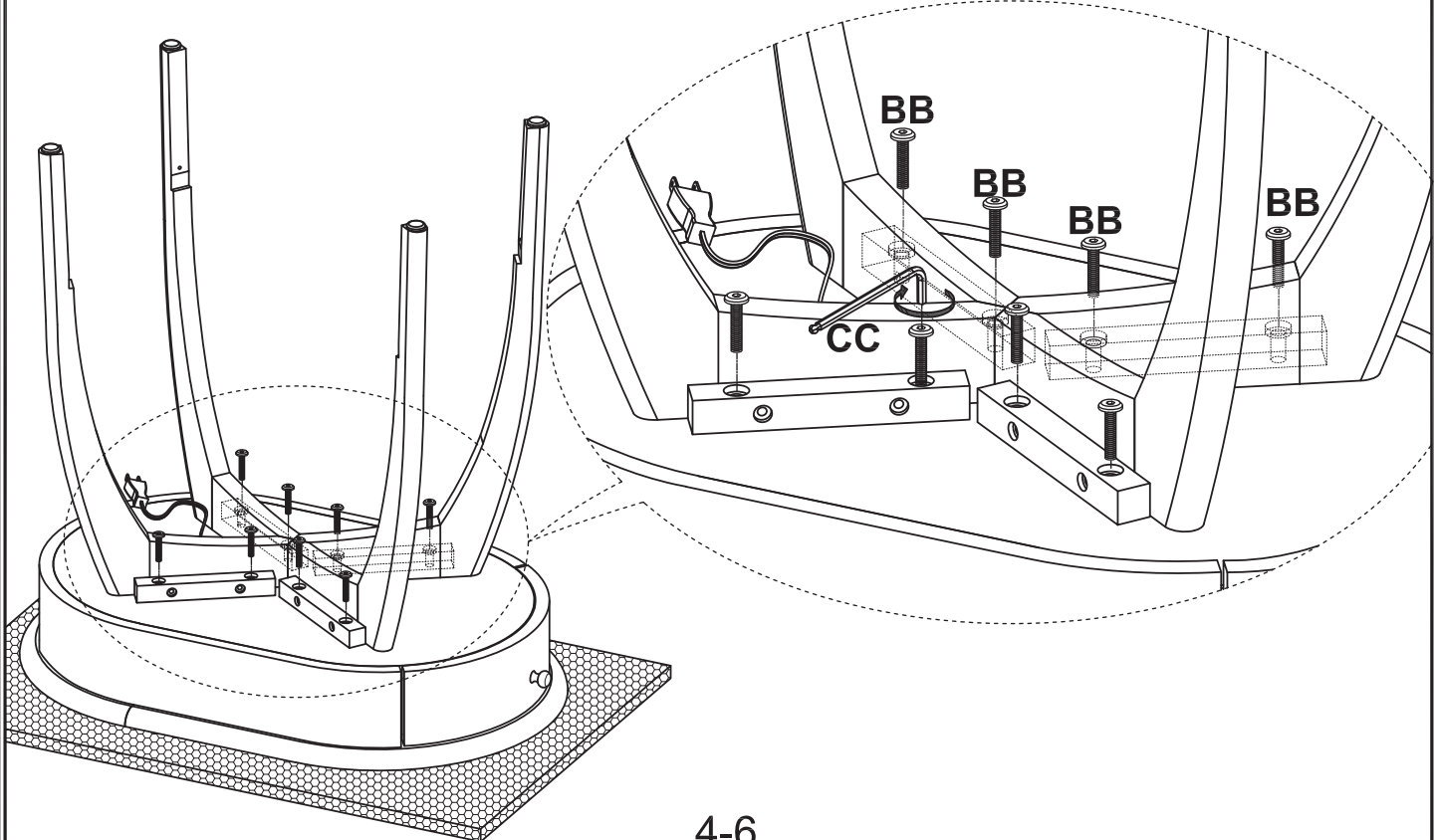


2

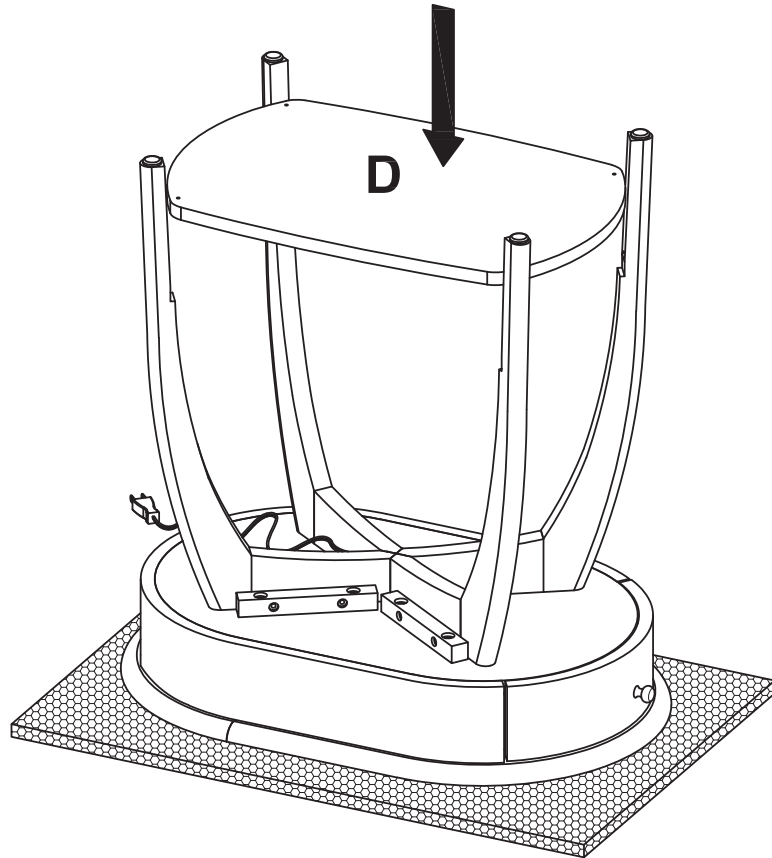
BB x 8



CC x 1



3

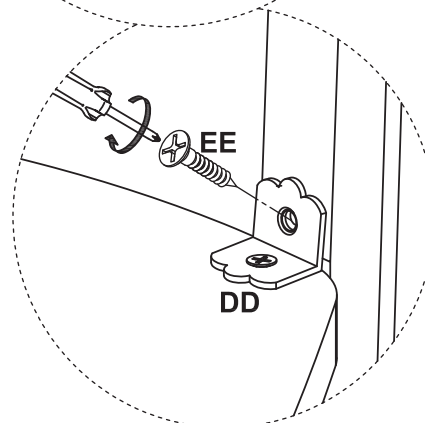
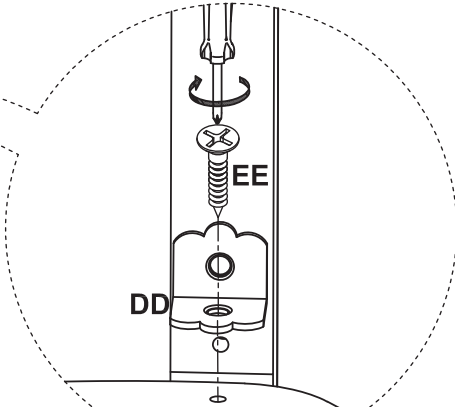
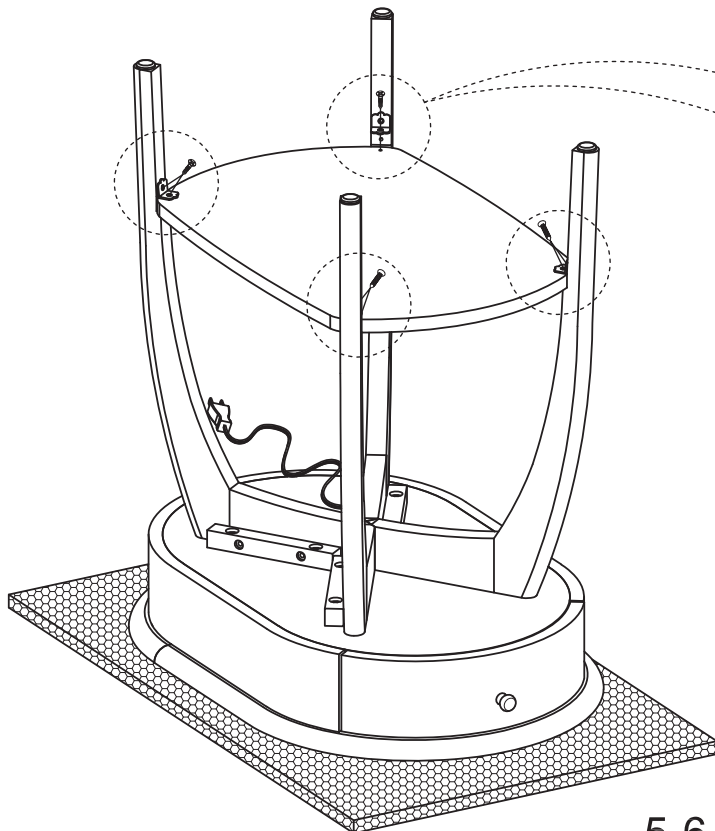
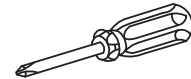


4

DD x 4

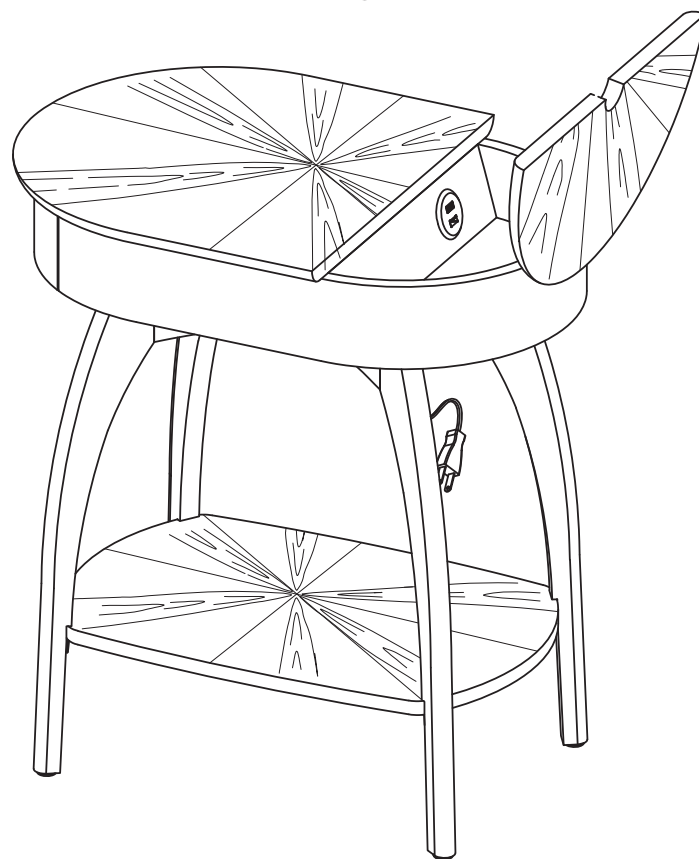
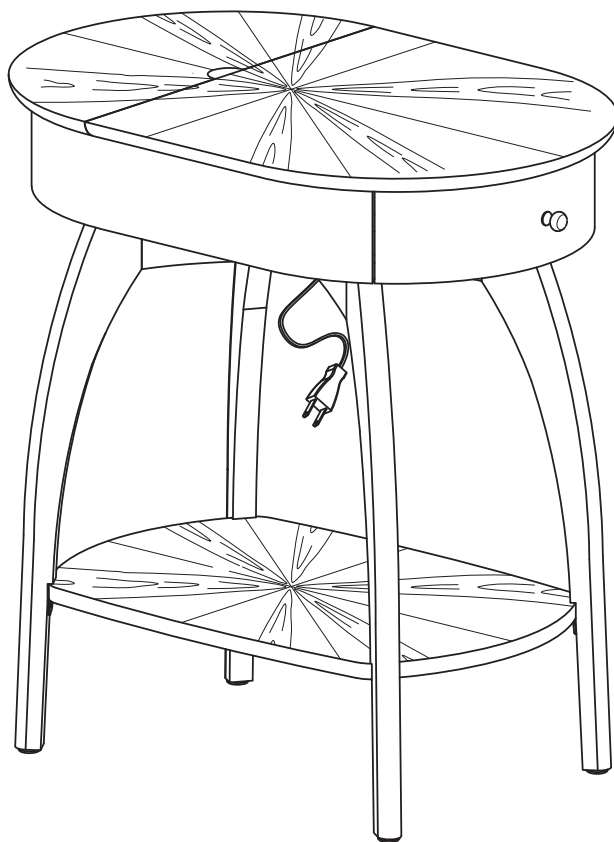


EE x 8



5-6

5





Replacement Part Form

Have an issue? Need a replacement part?

Please E-mail us before contacting your retailer, we will be happy to fix your issue.

This process will be hassle free! We will replace your part for free!

Please follow these easy steps below.

You will need to E-mail *Martin Svensson Home* Customer Service: Customerservice@mshome.co
(Please note it is .CO not .com)

Please scan or take a picture of this form filled out.

1. **Customer Name:** _____

2. **SKU# with issue:** _____

3. **Replacement Part # needed** _____

*Please reference the Assembly Instructions to identify needed part #'s

4. **Photos of the Damaged Part** (please include in the e-mail)

5. **Brief description of the part issue:** _____

6. **Proof of Purchase** (please provide a copy of your purchase receipt)

7. **Ship to Address:** _____

8. **Other contact information:**

Email Address _____

Phone # _____

*If possible, could you please provide the UPS or FedEx tracking from original shipment _____

*If possible, could you please provide the P.O. # - information found on back/underneath product _____

*If you have any other question, we are happy to assist with assembly questions or all other parts related questions. Thank you for your purchase!