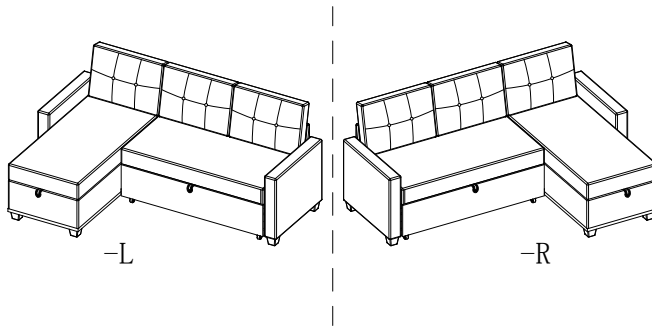


# Assembly Instructions

Item: SECTIONAL SOFA



## 1. Important Safeguards



Read these instructions carefully and retain them for future use. If this product is passed to a third party, then these instructions must be included.

When using the product, basic safety precautions should always be followed to reduce the risk of injury including the following:

### **⚠ CAUTION** Risk of injury!

- Product can tip over! Do not let children climb on or play with the product.
- Always use the product on a firm, level ground.
- Do not stand on the product or use it as a step ladder.
- Periodically check to see that all bolts, screws and knobs are firmly screwed. Tighten them if any are loose.
- Stop using the product at first sign of damage or if parts become detached.
- Keep the fire or all sharp objects away from the product.

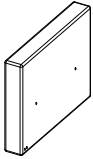
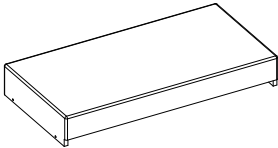
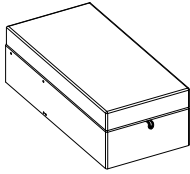
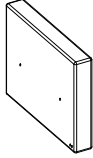
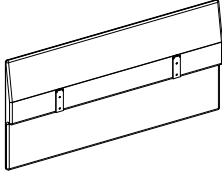
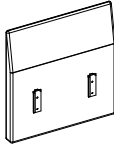
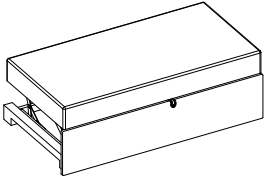
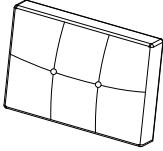
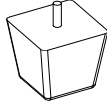

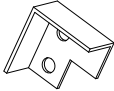

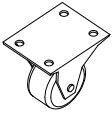
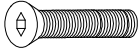
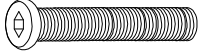


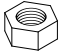
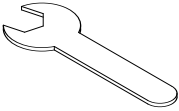
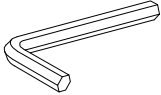
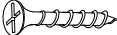
## 2. Before First Use

### **⚠ DANGER** Risk of suffocation!

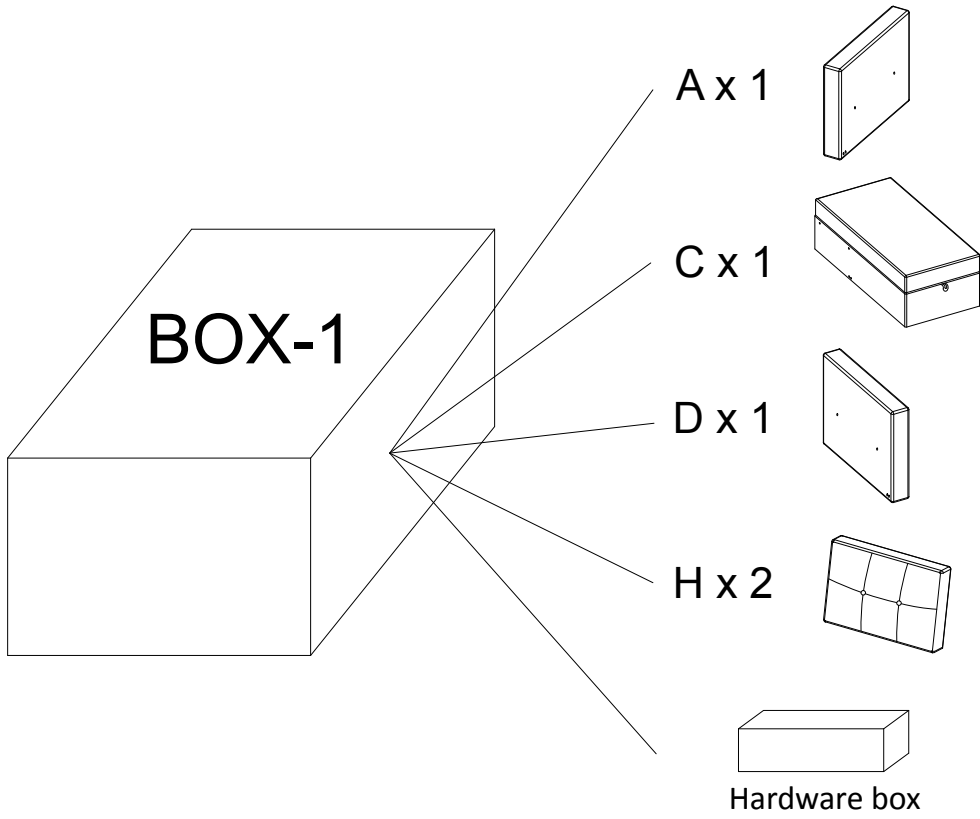
- Keep any packaging materials away from children and pets - these materials are potential source of danger, e.g. Suffocation.
- Check the product for transport damages. Unpack all hardware bags and components to ensure you have all parts before assembly.
- Assemble product on a clean non-marring surface. Remove all the packing materials.

## 3. Cleaning and Maintenance

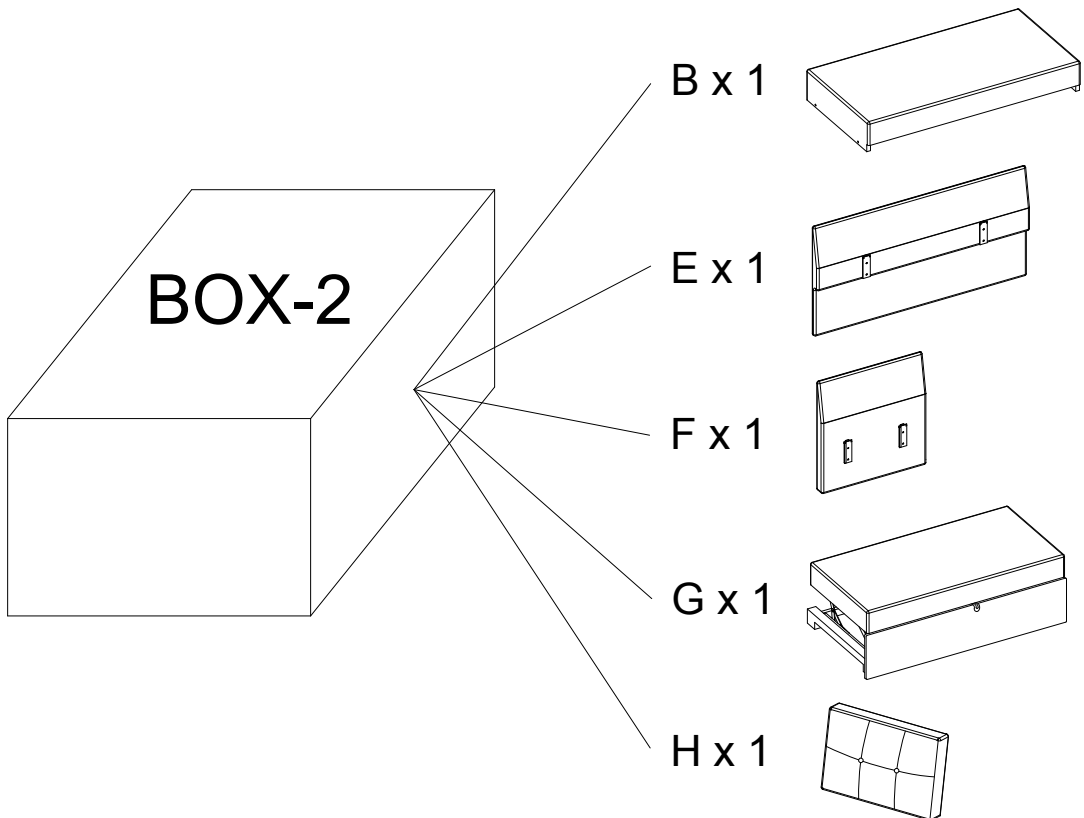
- Clean spills immediately by using a soft, clean, lint-free cloth to prevent staining.
- Never use harsh chemicals or solvents on your product as this may damage the product.
- Marks and stains are difficult to remove, we recommend you consult a professional. If you use a professional product, pretest it in an inconspicuous area for any signs of discoloration or shrinking.

<p>A x 1</p> 	<p>B x 1</p> 	<p>C x 1</p> 
<p>D x 1</p> 	<p>E x 1</p> 	<p>F x 1</p> 
<p>G x 1</p> 	<p>H x 3</p> 	<p>I x 8</p> 
<p>J x 1</p> 	<p>K x 1</p> 	<p>L x 2</p> 
<p>M x 4</p> 	<p>N x 12</p>  <p>1/4" x 3/4"</p>	<p>O x 6</p>  <p>5/16" x 2-1/2"</p>
<p>P x 8</p>  <p>5/16"</p>	<p>Q x 6</p>  <p>5/16"</p>	<p>R x 2</p>  <p>5/16"</p>
<p>S x 1</p> 	<p>T x 1</p> 	<p>U x 4</p> 

**BOX -1**  
**PARTS LIST**



**BOX -2**  
**PARTS LIST**

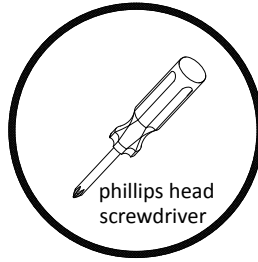
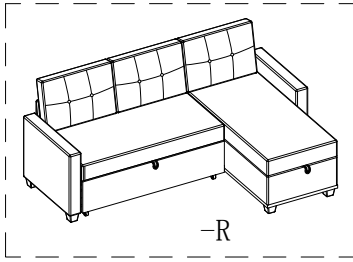




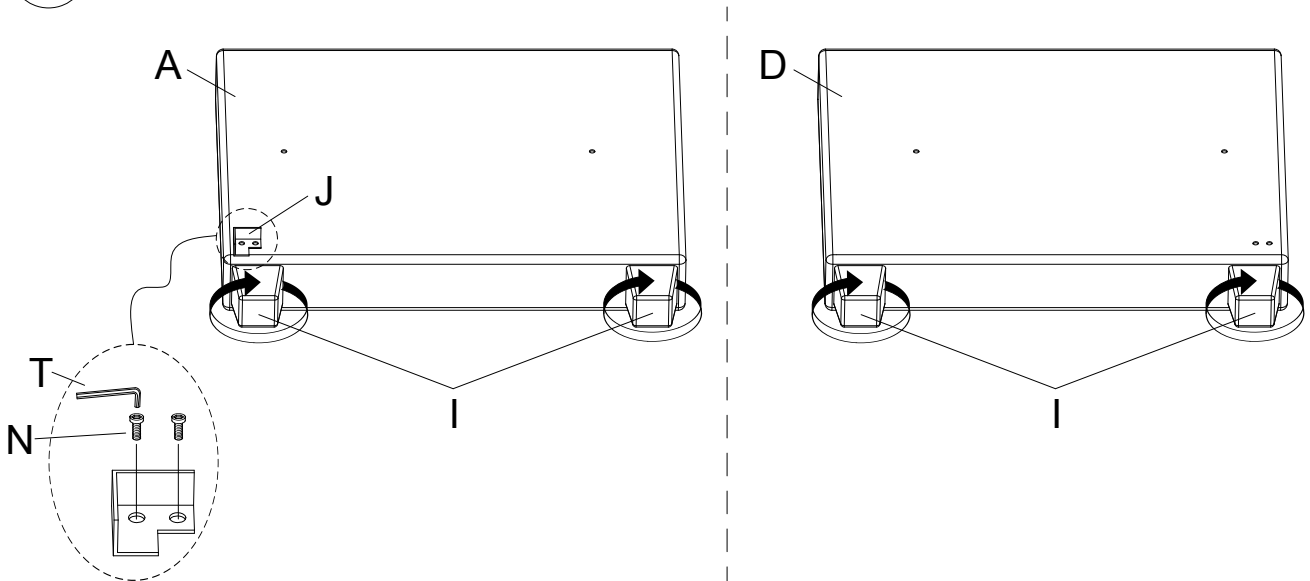
**NOTE:**

Suggest to assemble the product by 2 or more people.  
Do not tighten screws before all product parts be together.

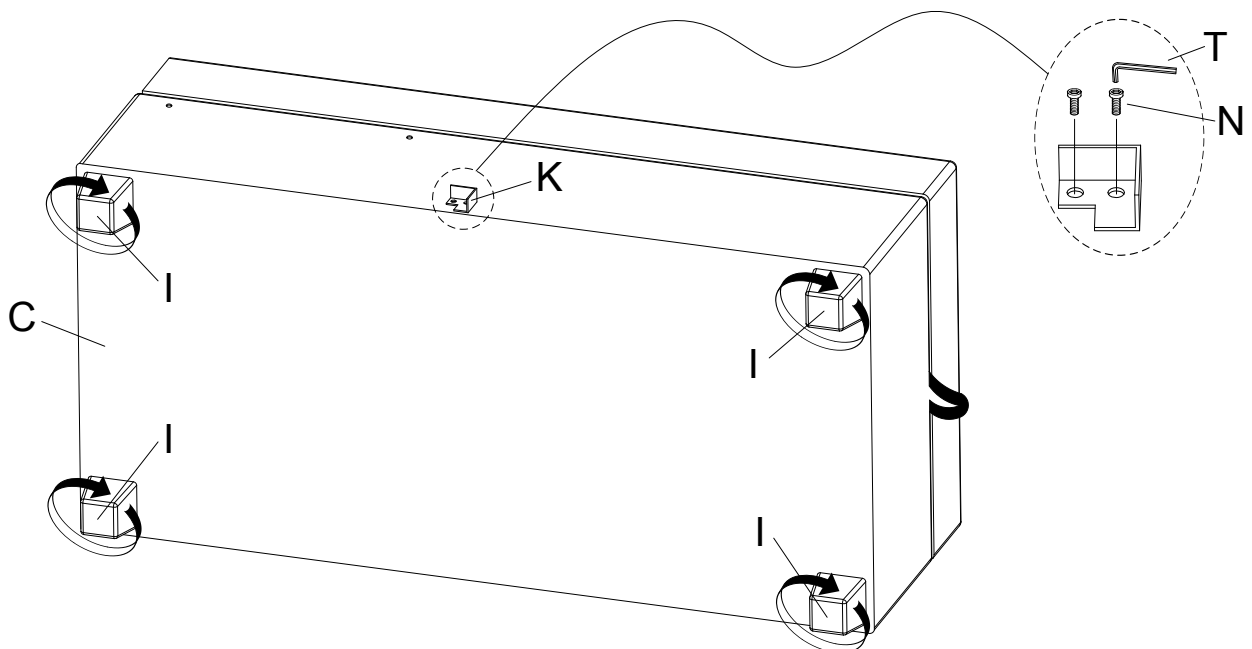
tools needed by yourself



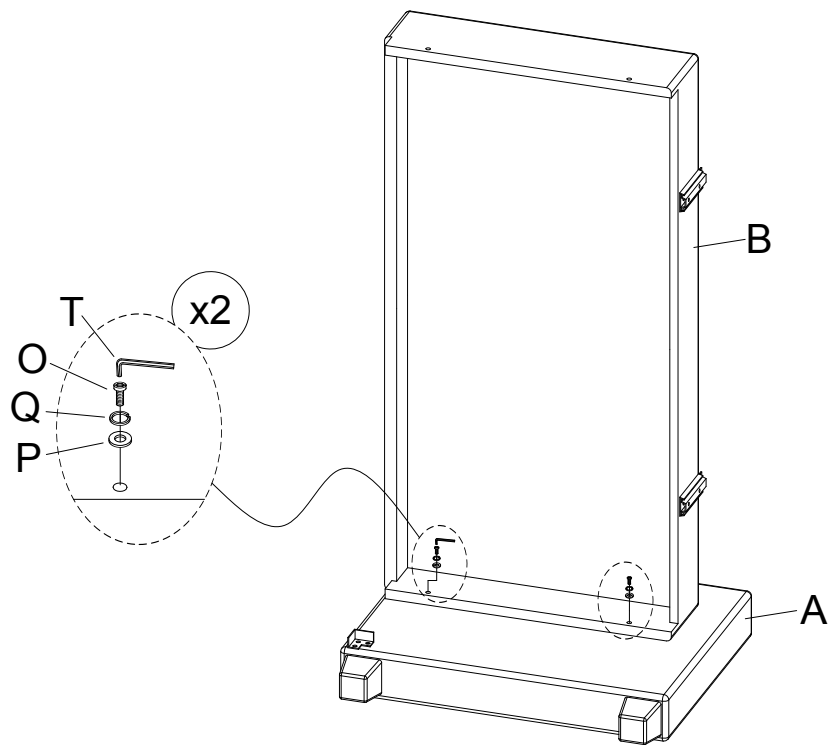
1



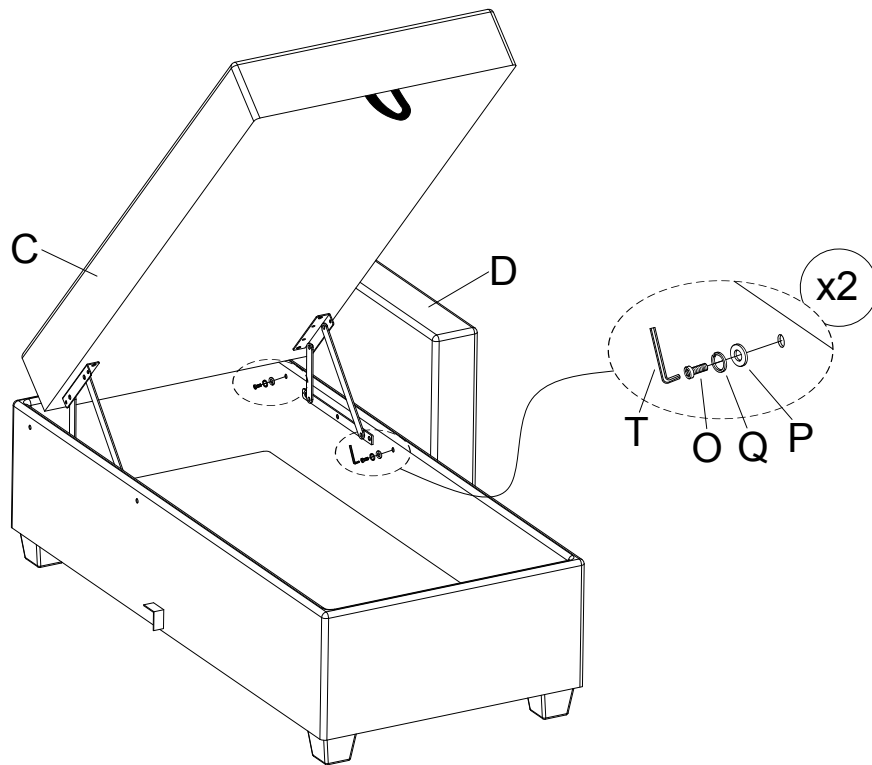
2



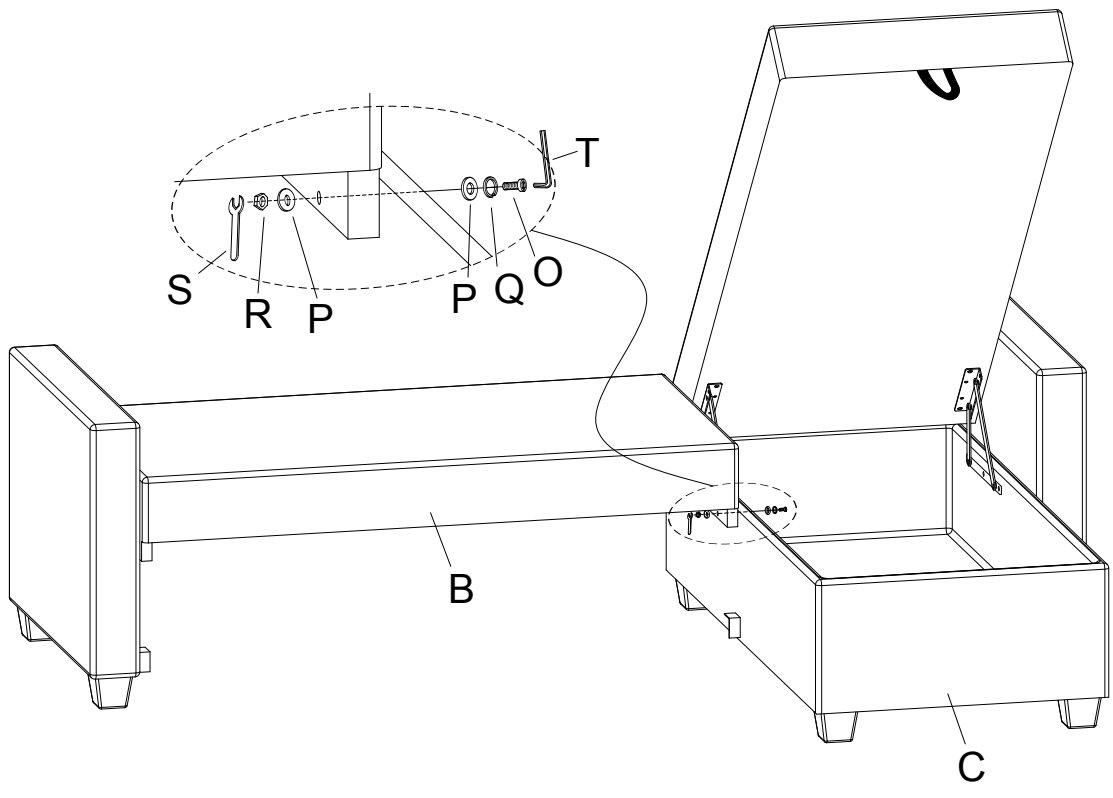
3



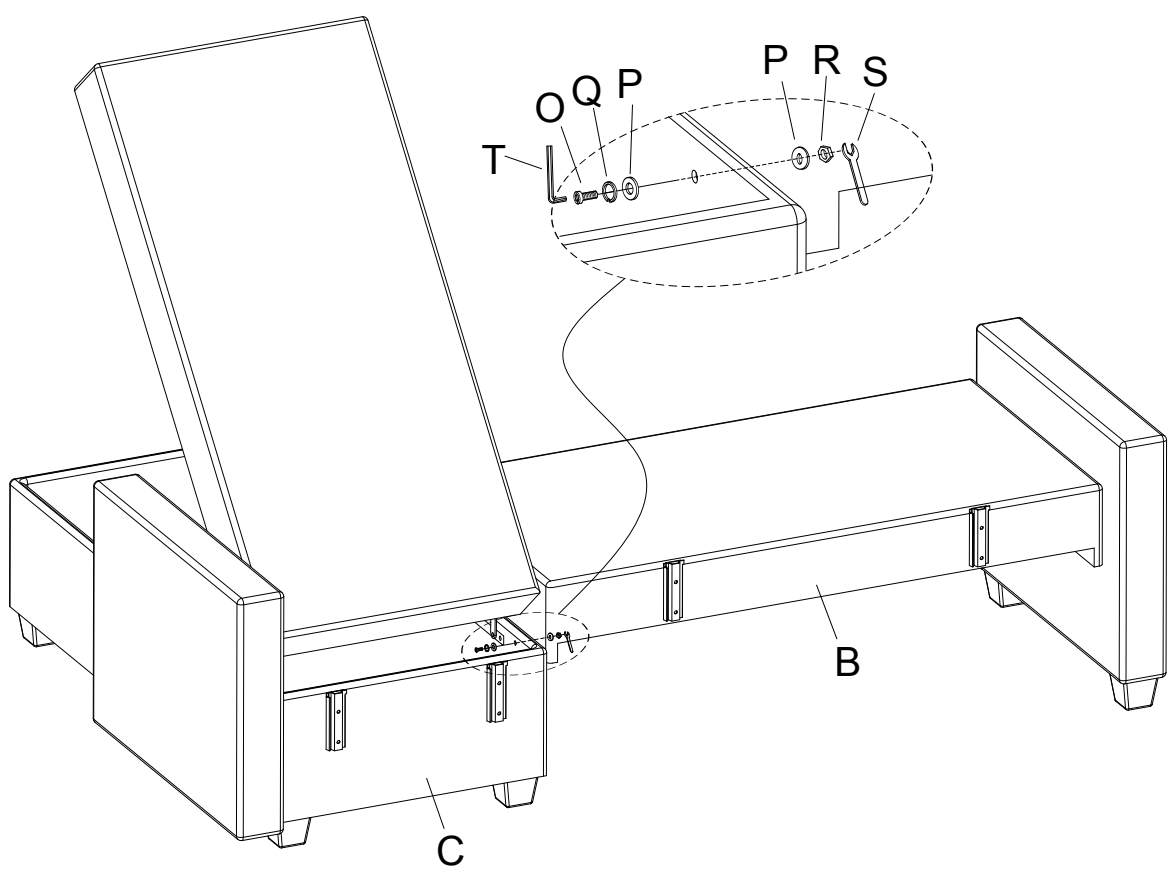
4



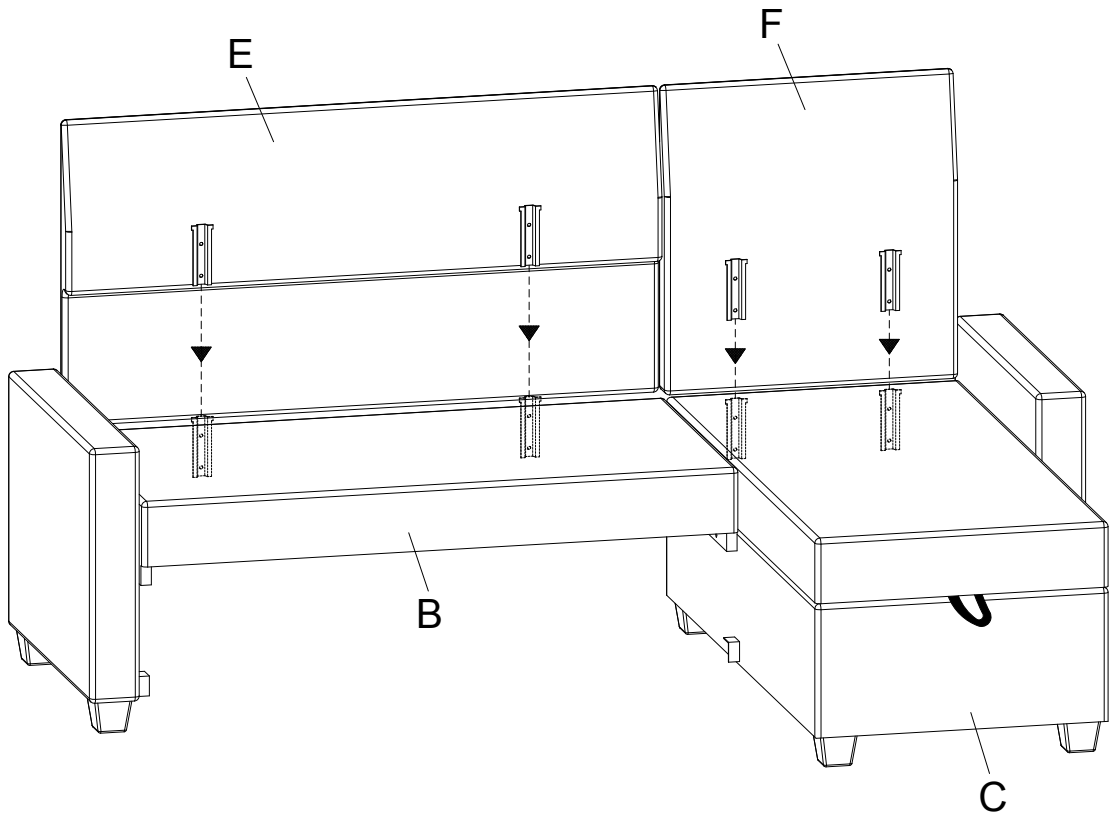
5



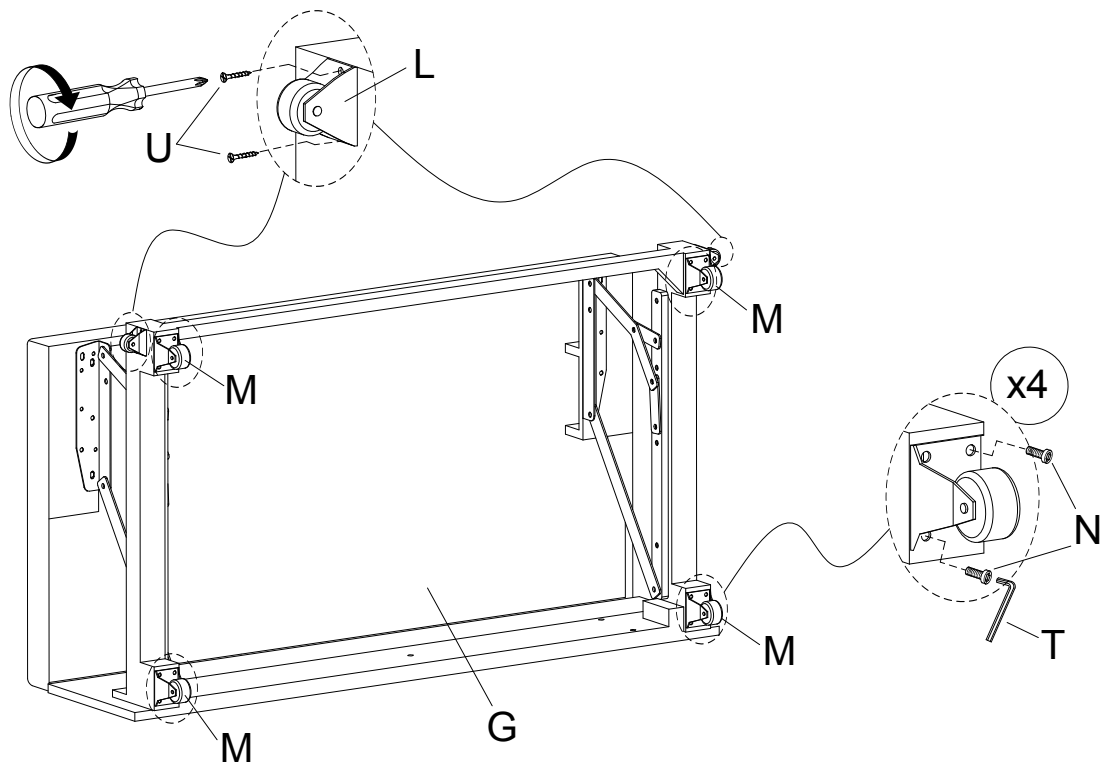
6



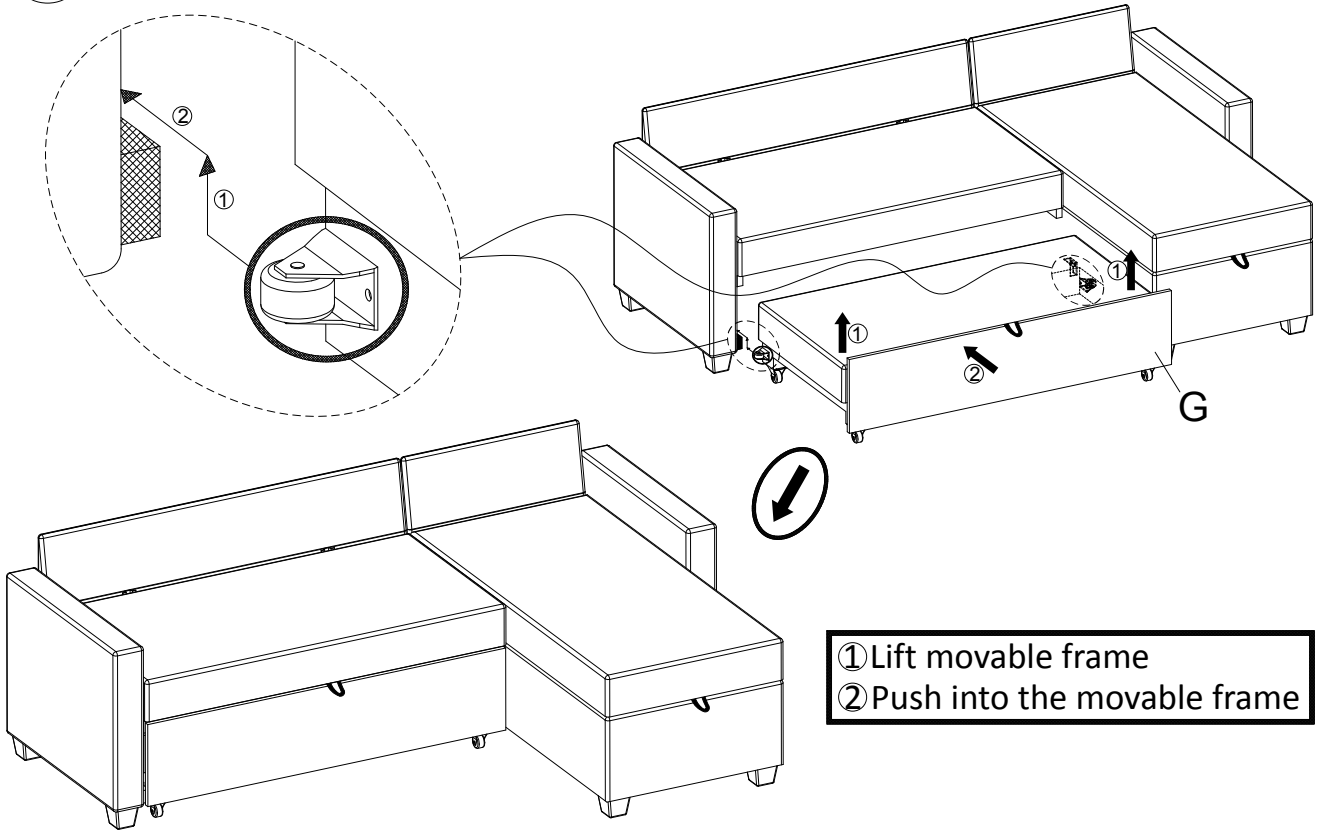
7



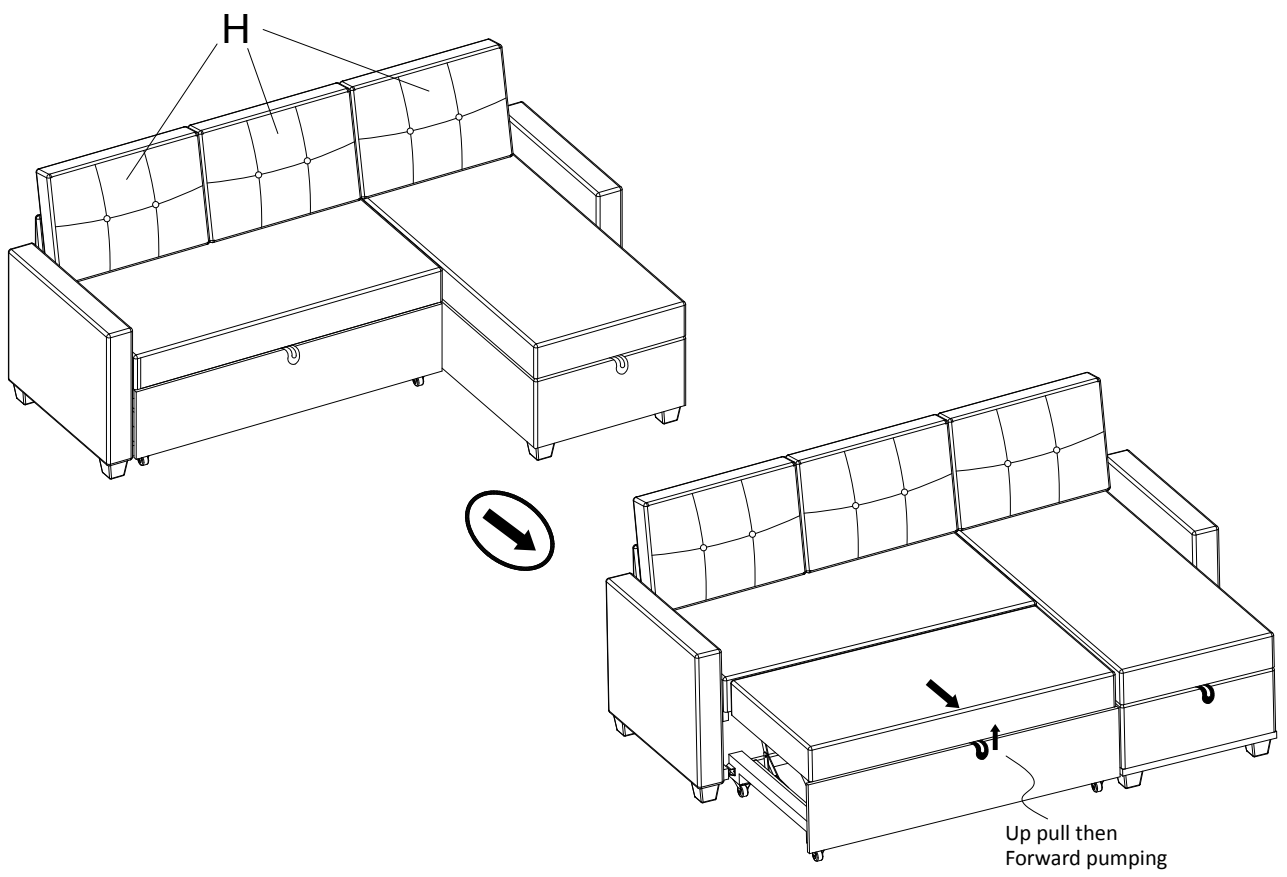
8



9



10

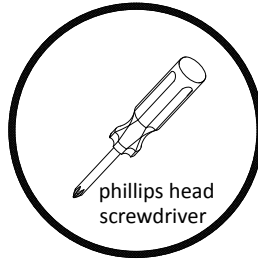
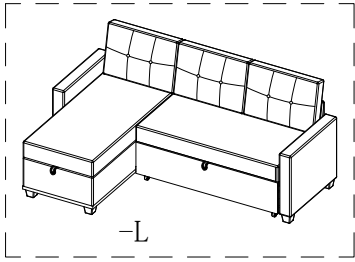




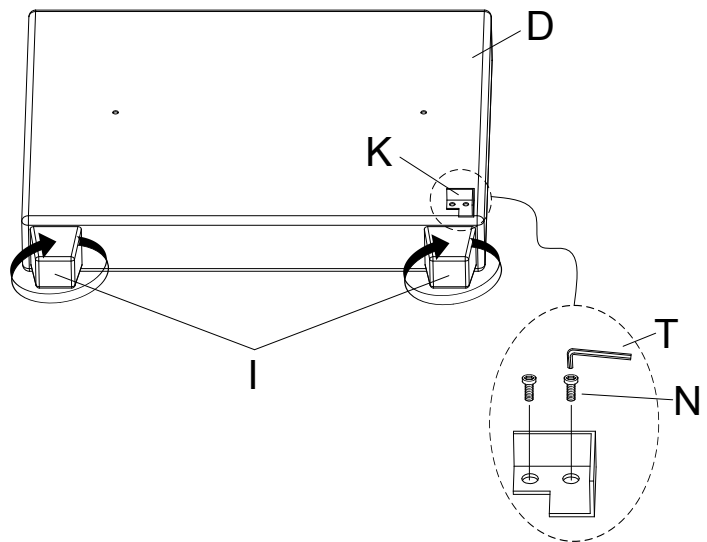
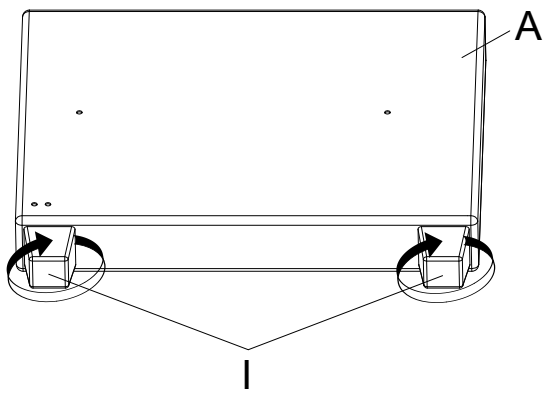
**NOTE:**

Suggest to assemble the product by 2 or more people.  
Do not tighten screws before all product parts be together.

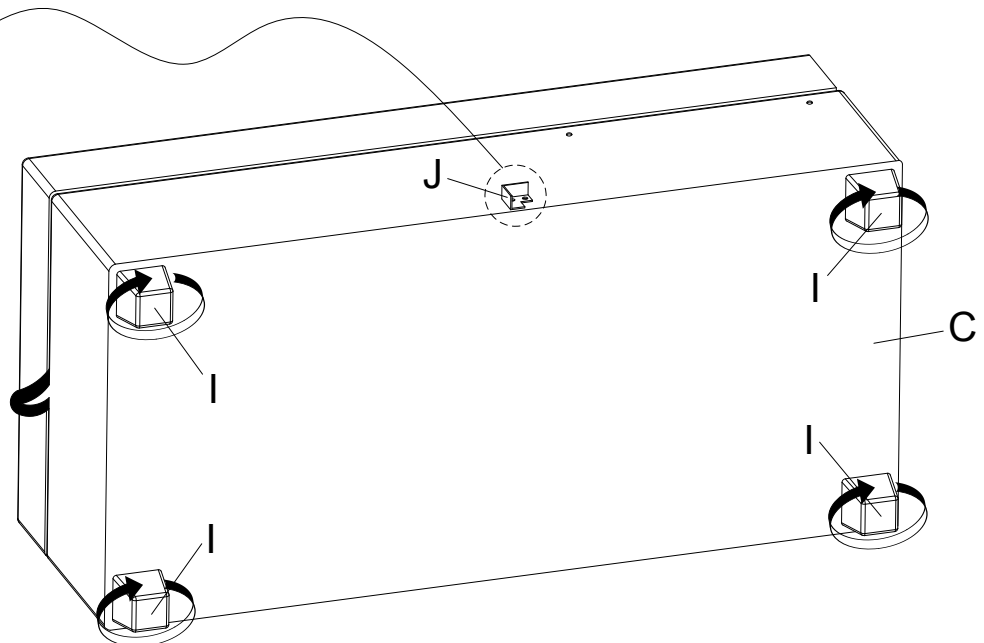
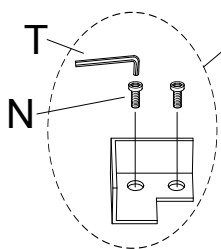
tools needed by yourself



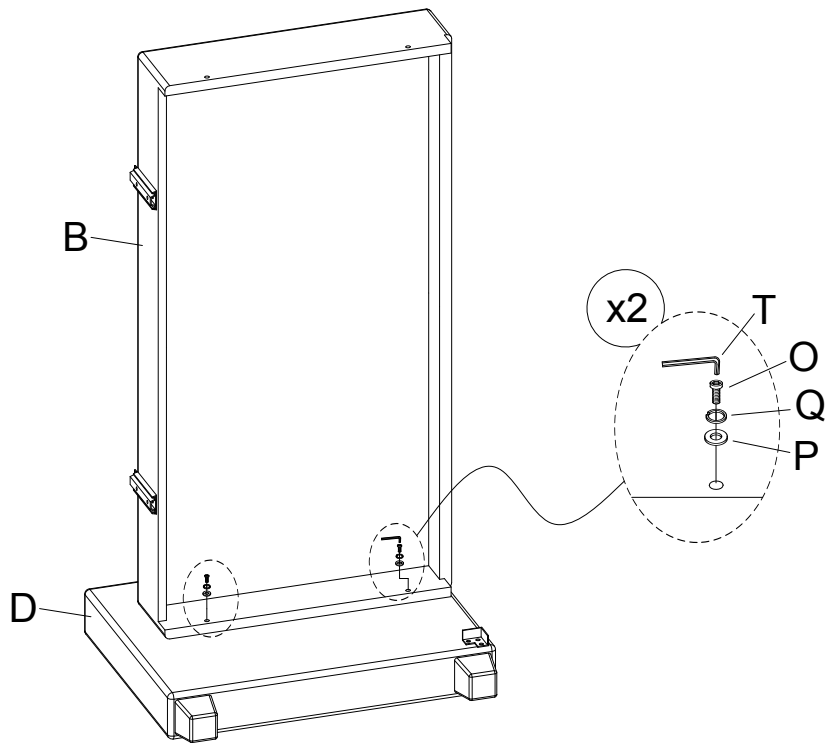
1



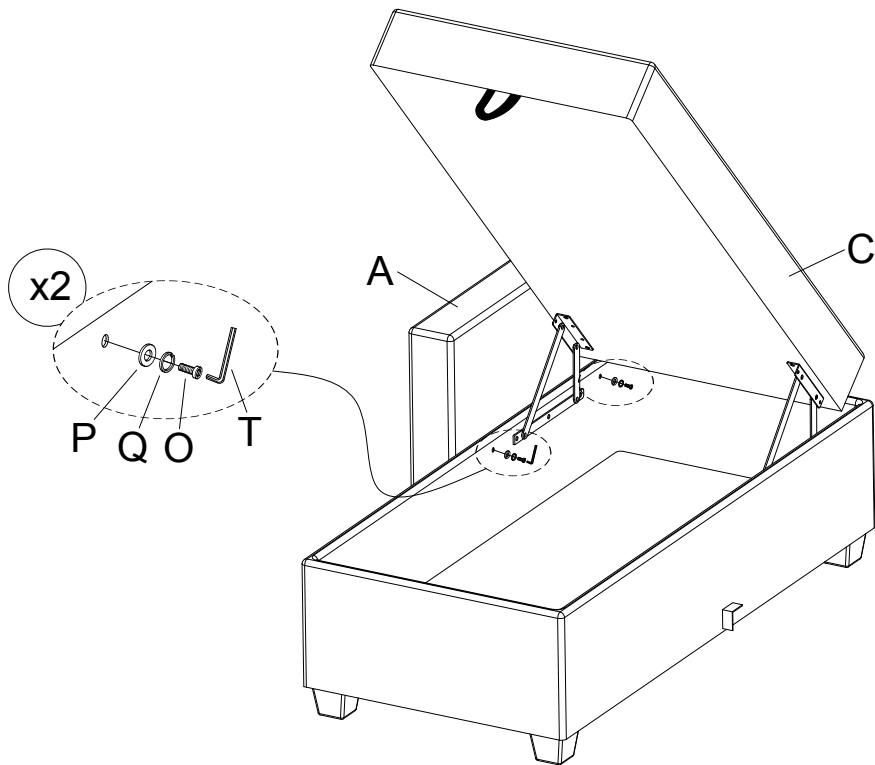
2



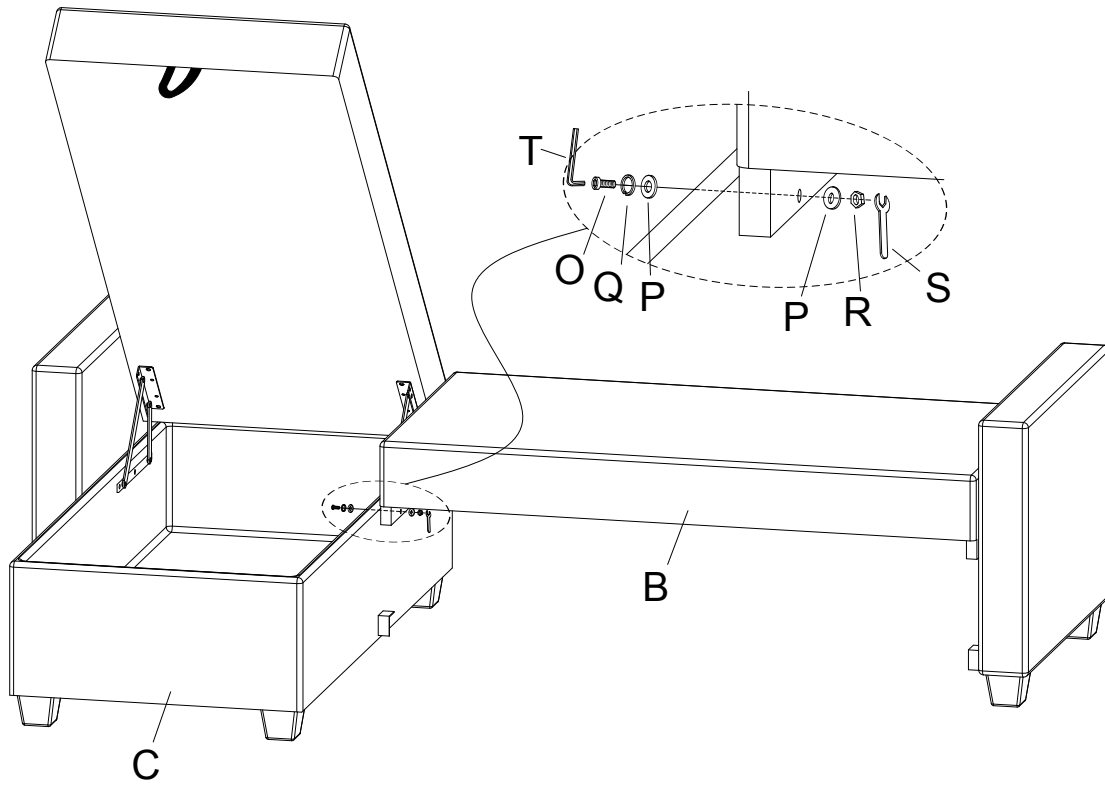
3



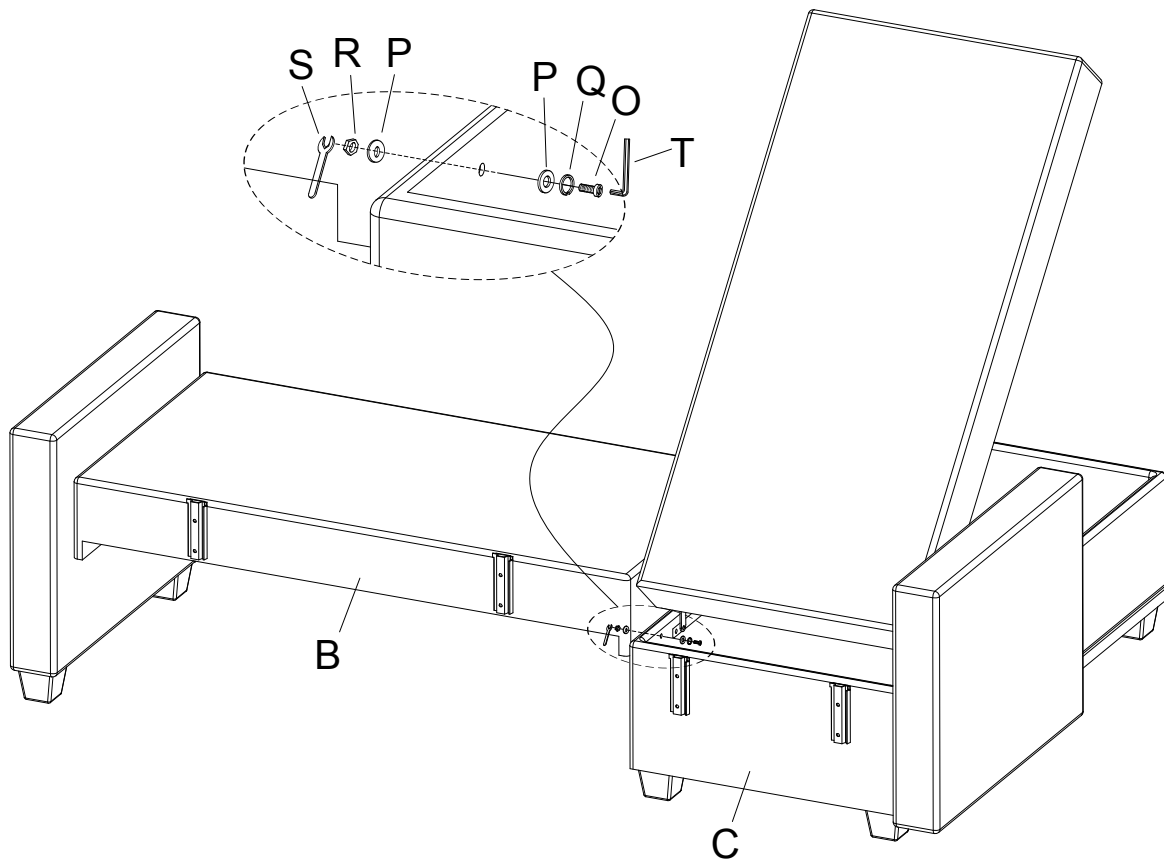
4



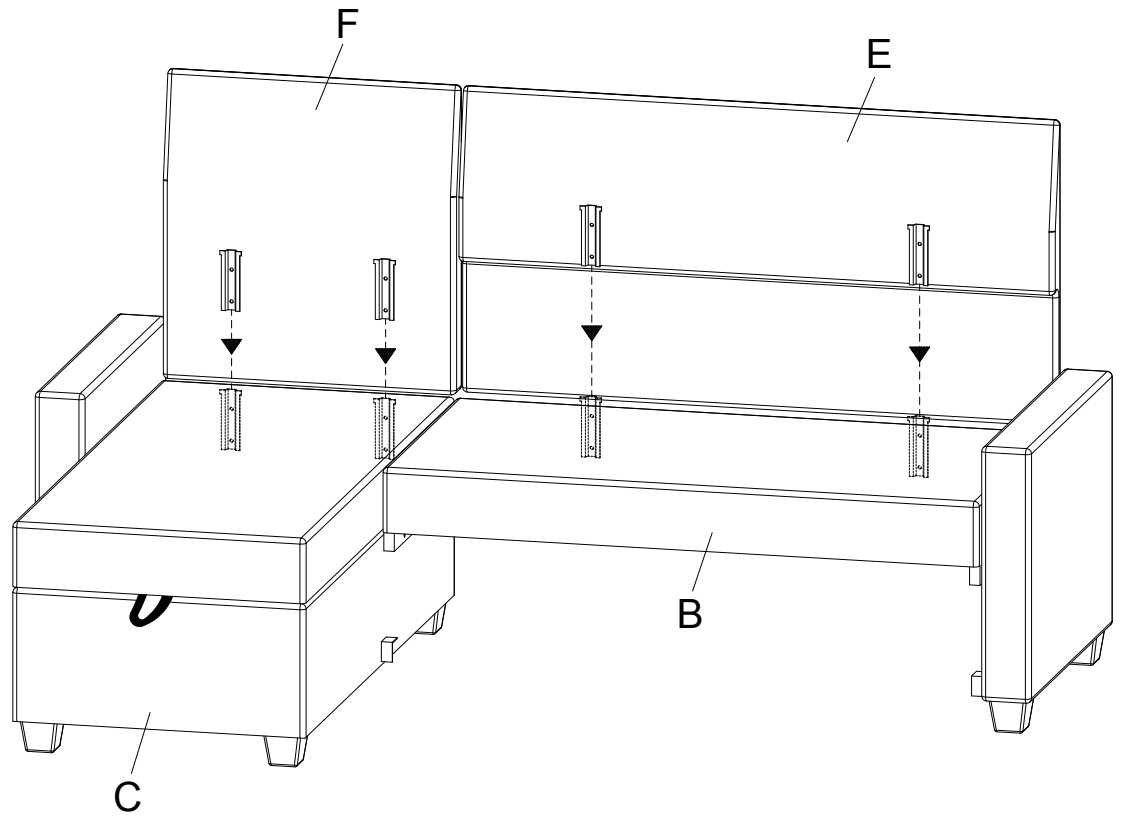
5



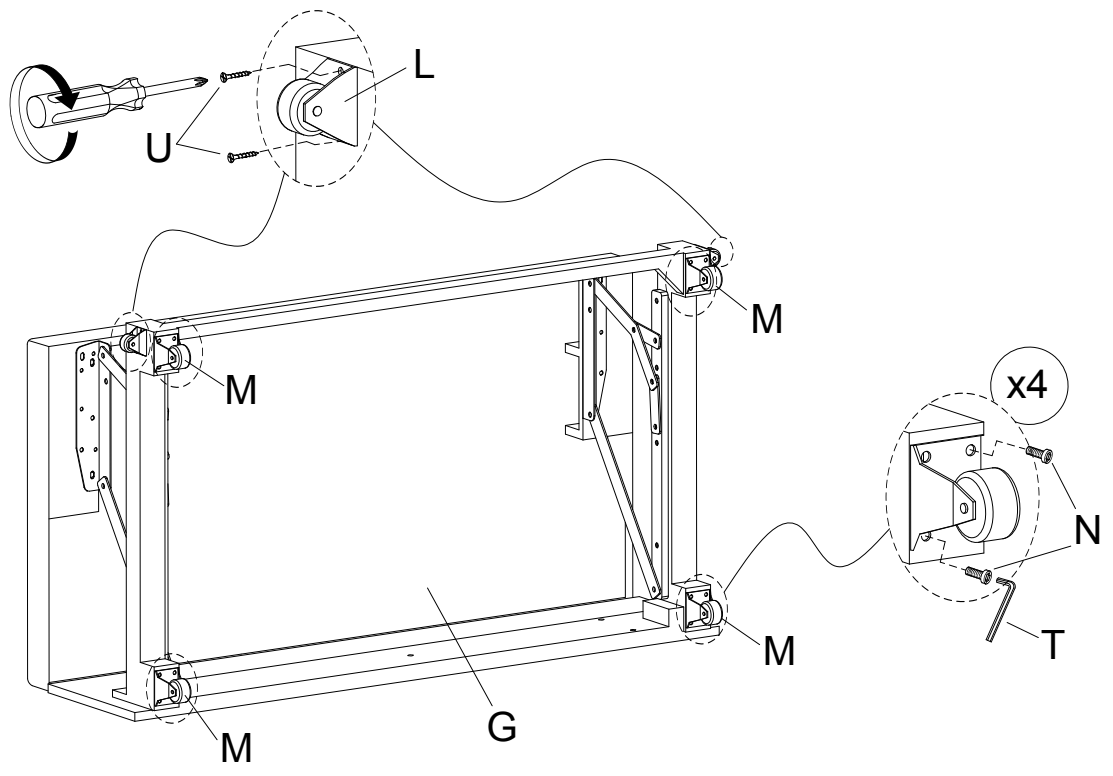
6



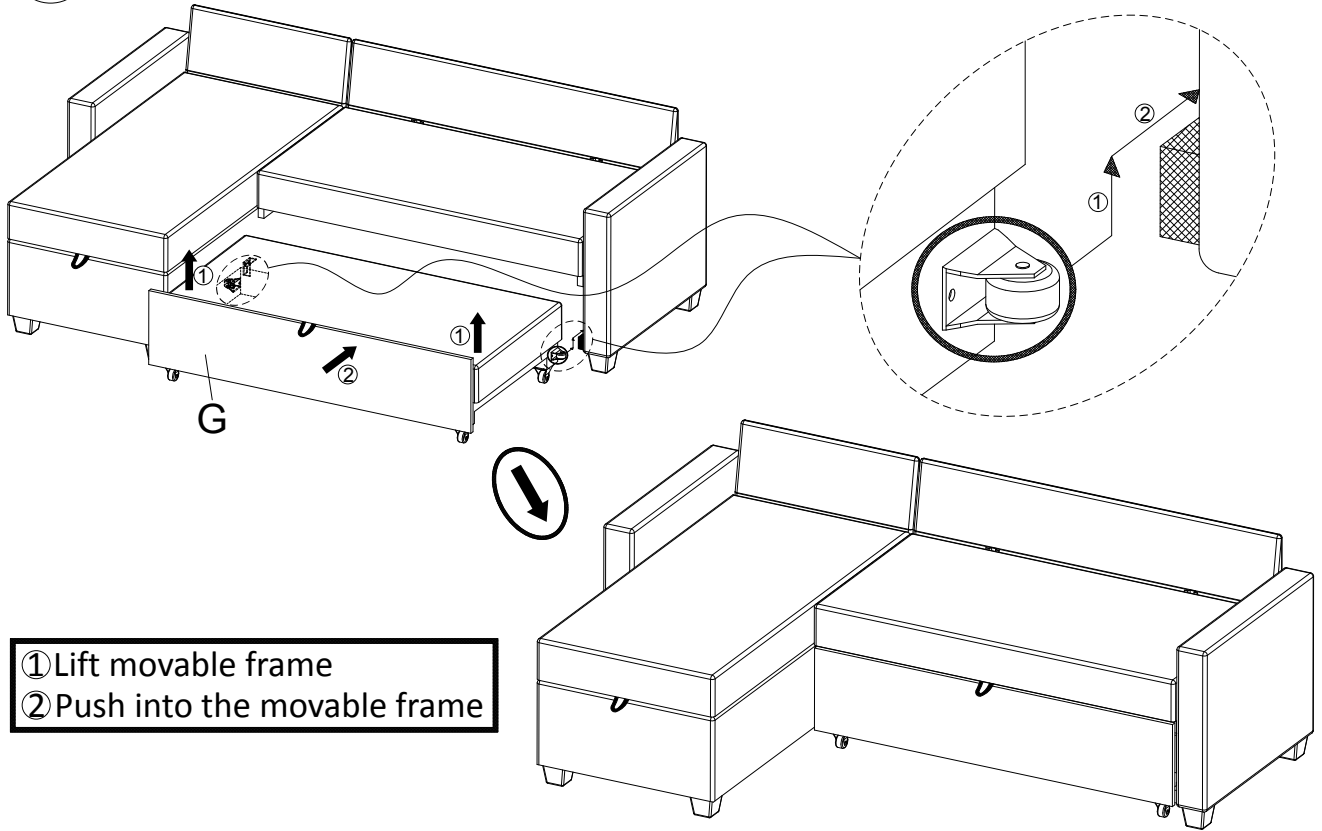
7



8



9



- ① Lift movable frame
- ② Push into the movable frame

10

