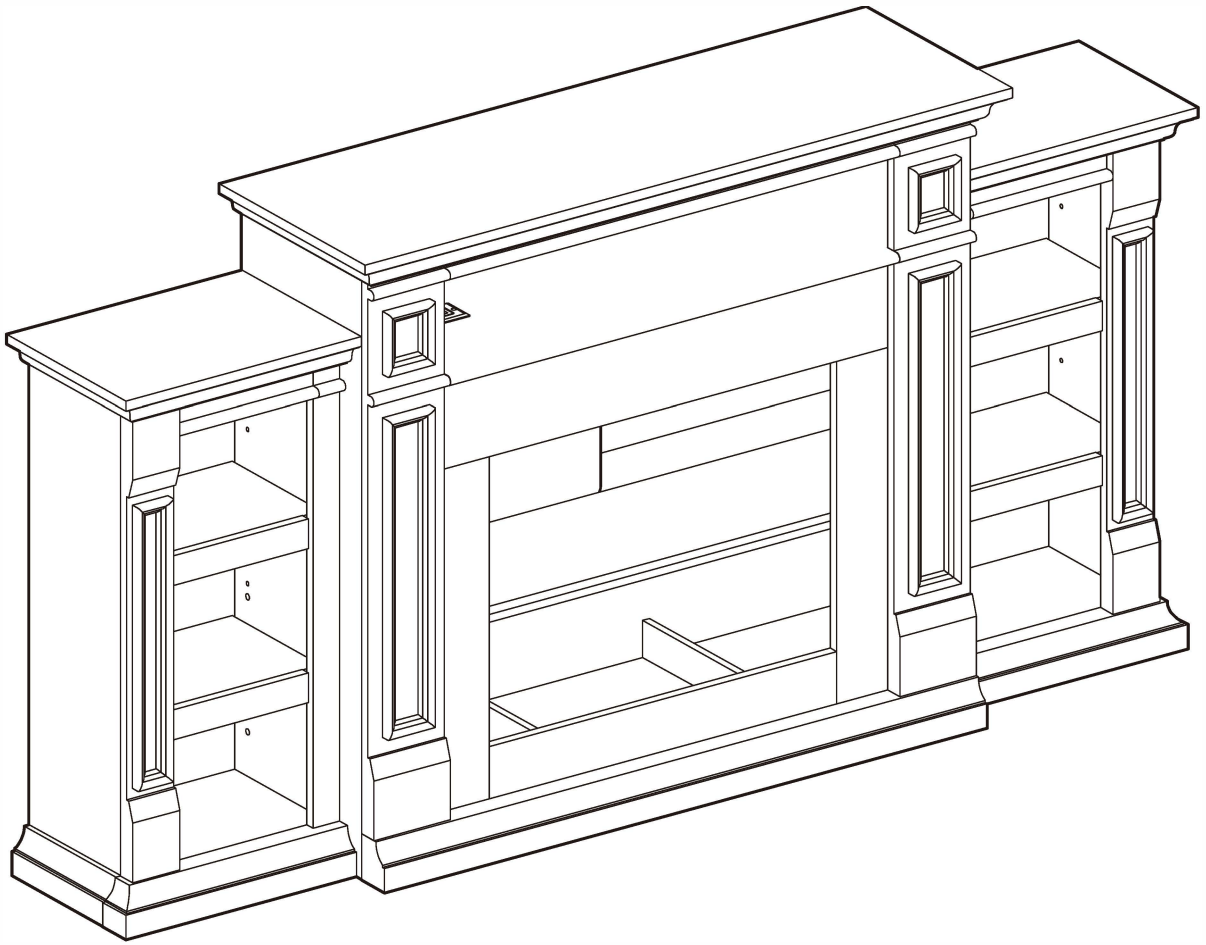
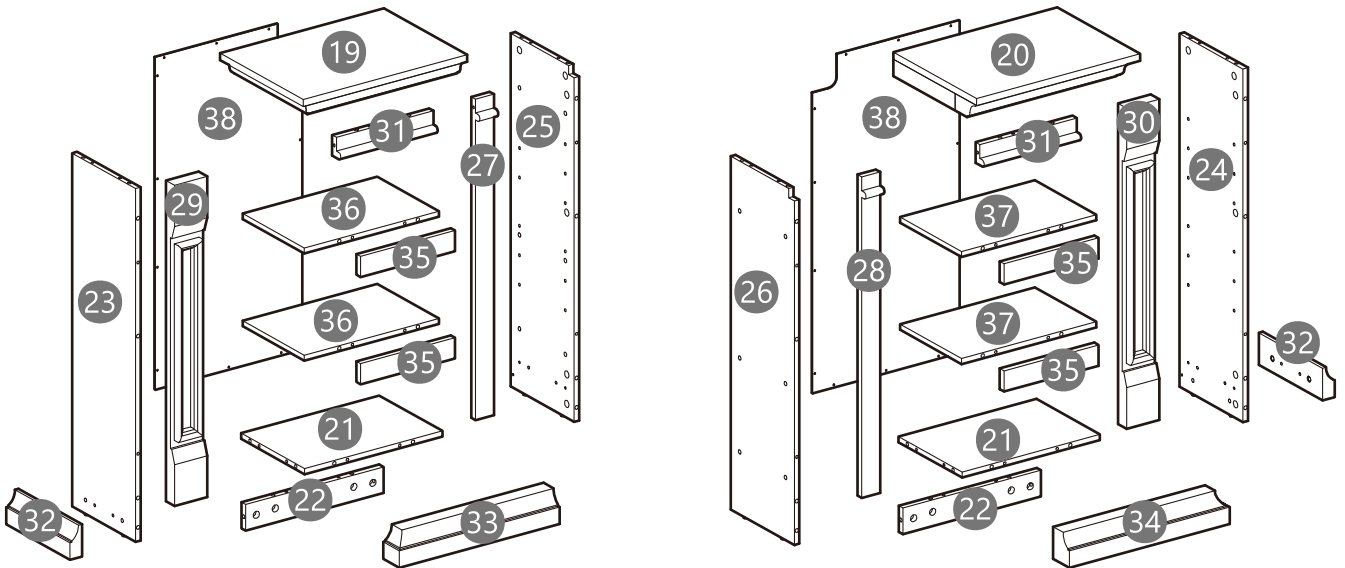
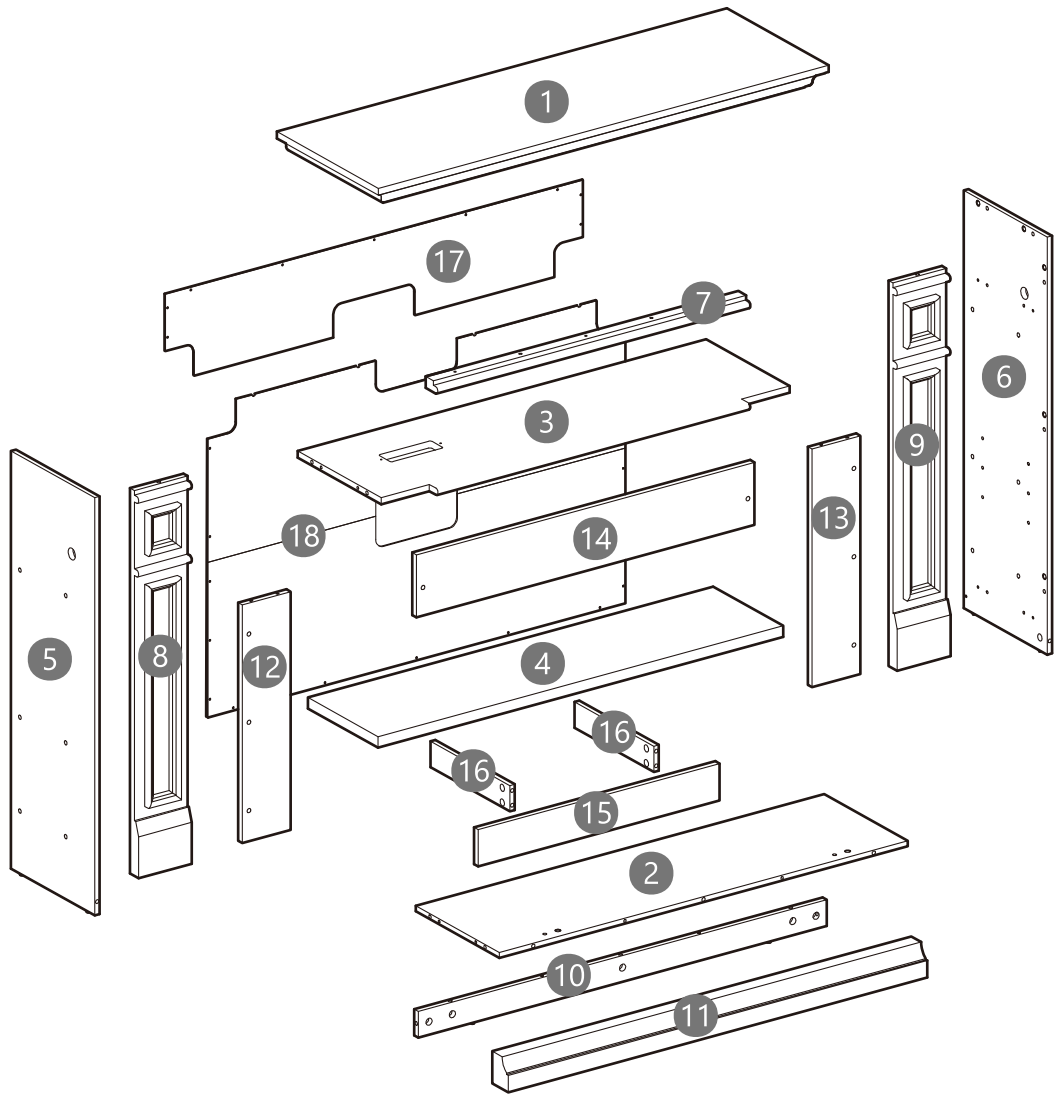


CUSTOMER MANUAL

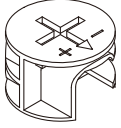


ASSEMBLY STRUCTURE REFERENCE DIAGRAM



PACKAGE CONTENT

A



X 80+2

B



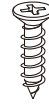
X 80+2

C



$\text{\O}6 \times 30\text{mm}$
X 70+2

D



$\text{\O}3 \times 12 \times 6\text{mm}$
X 27+2

E



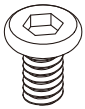
X 10

F



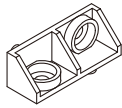
$\text{\O}3 \times 14\text{mm}$
X 56+2

G



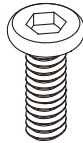
M6 x 12mm
X 30+2

H



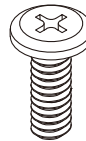
X 15

I



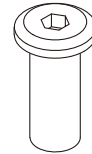
M6 x 25mm
X 12+1

J



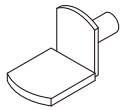
M6 x 20mm
X 12+1

K



X 12+1

L



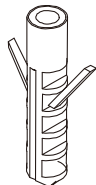
X 22+2

M



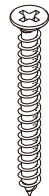
X 2

N



X 2

O



$\text{\O}4 \times 35\text{mm}$
X 5

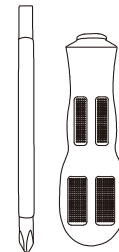
P



M4

X 1

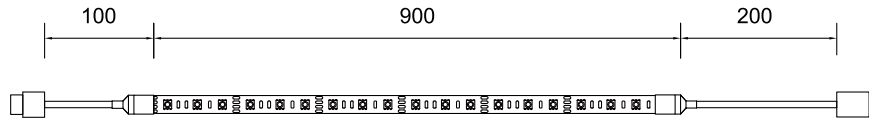
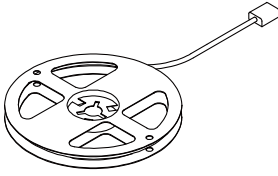
Q



X 1

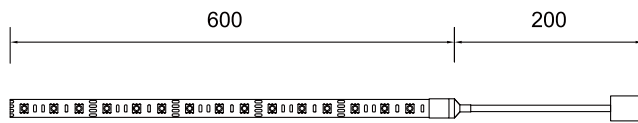
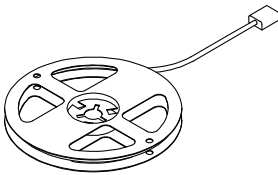
PACKAGE CONTENT

Y



X 1

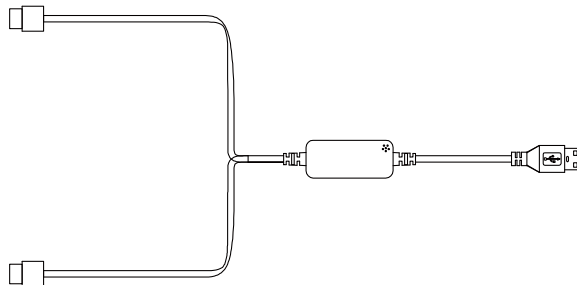
Y1



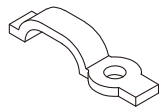
X 2

Y2

Y3

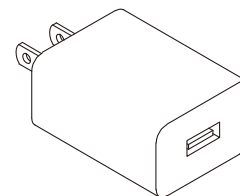


X 1



Y4

X 11+1

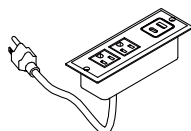
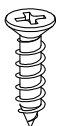


Y5

X 1

R

S

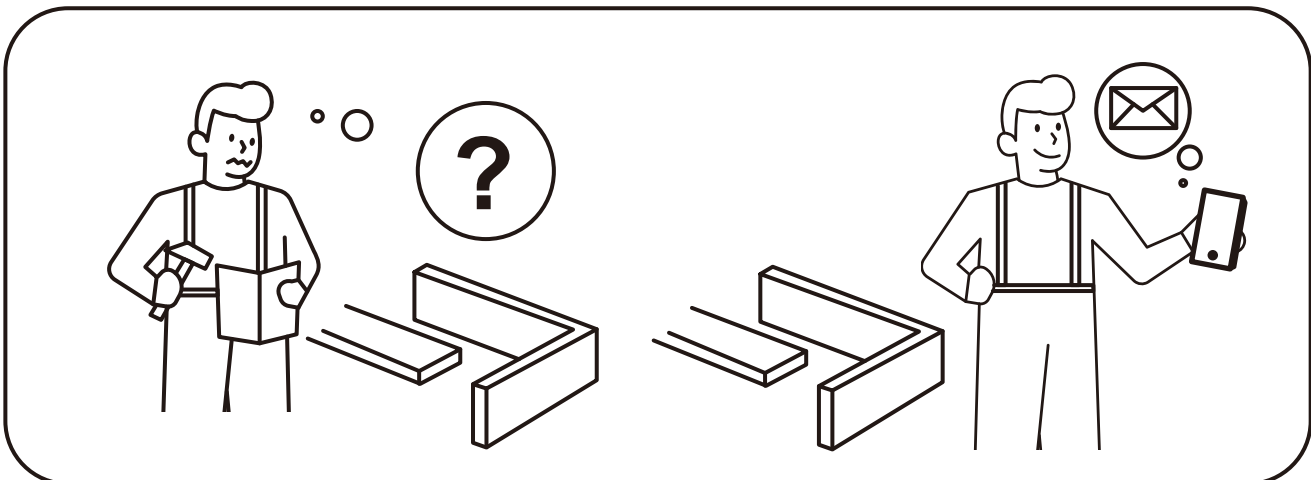
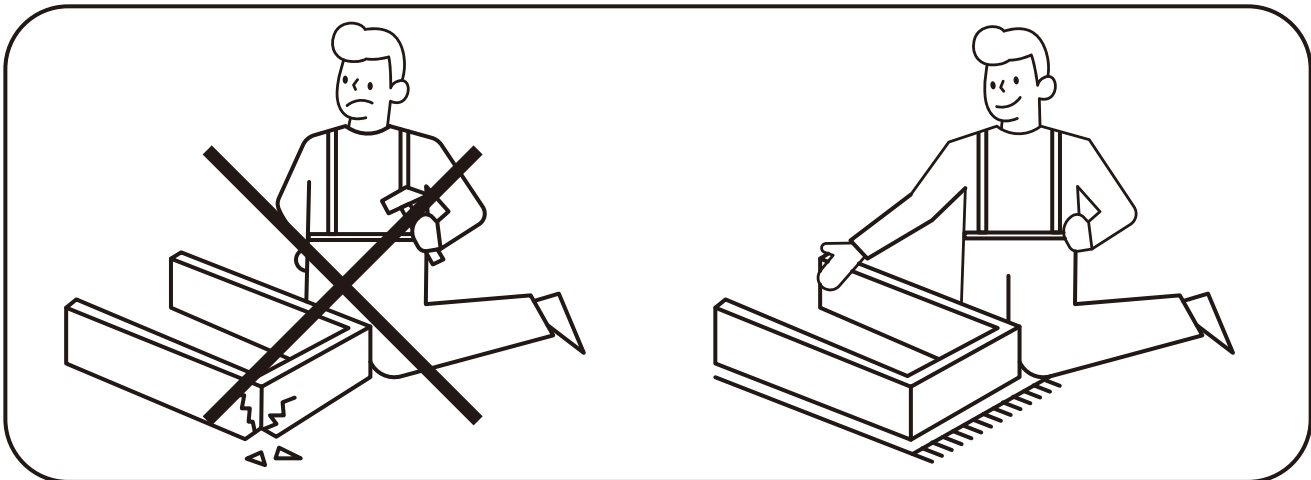
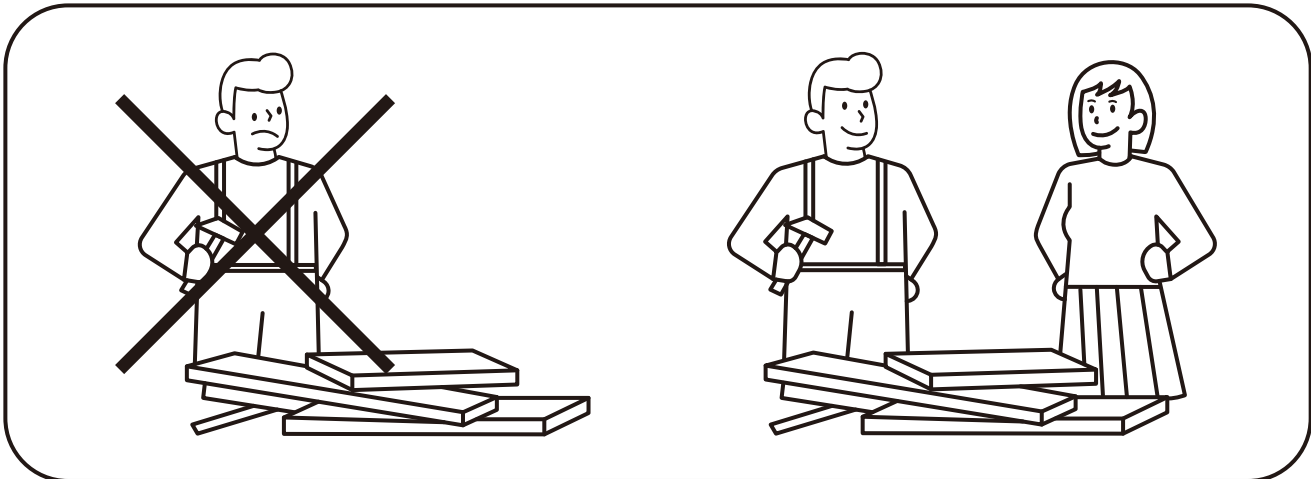
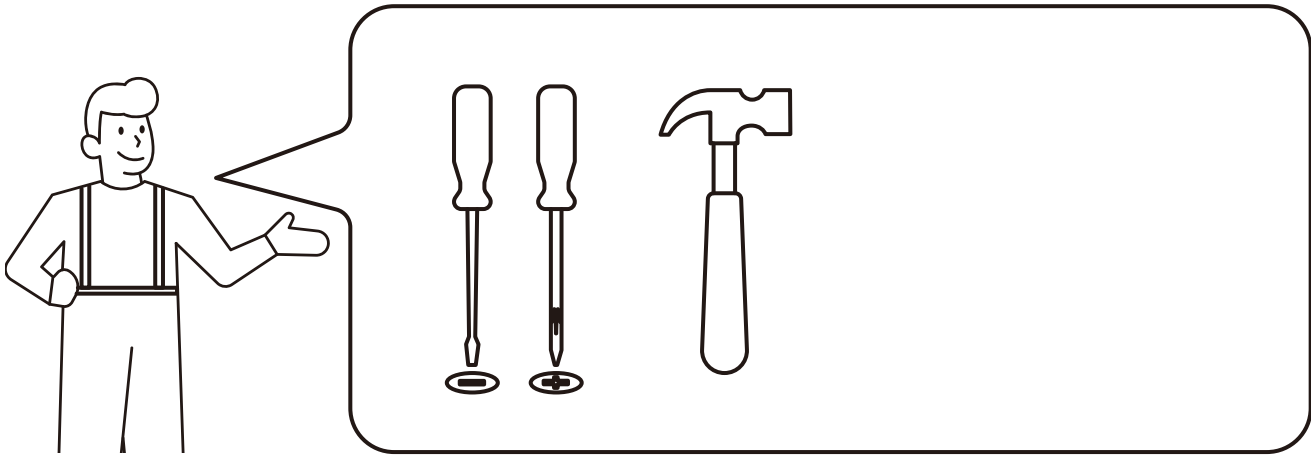


Ø3 x 12 x 6mm

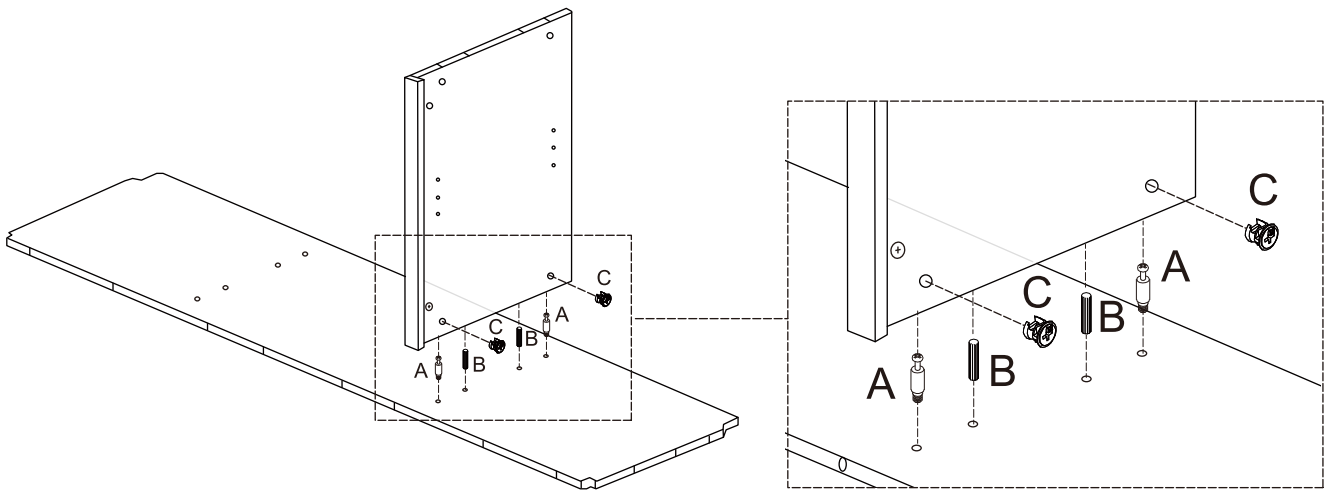
X 2

X 1

The hardware quantities listed above are required for proper assembly. Some extra hardware may also have been included.

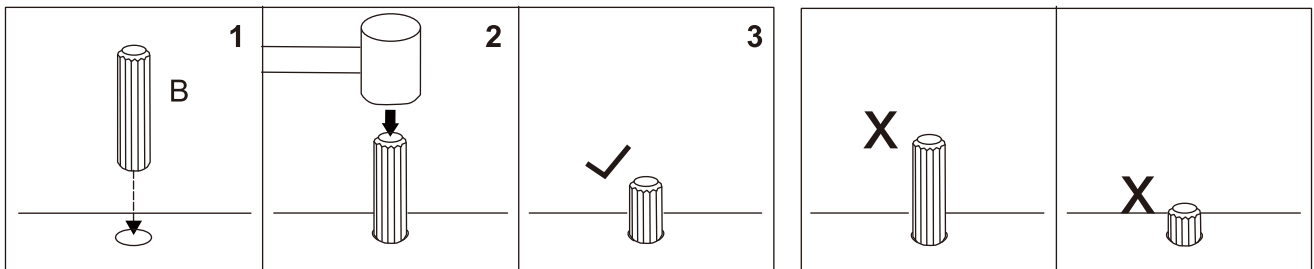


How to work the Knock Down (kd) assembly system

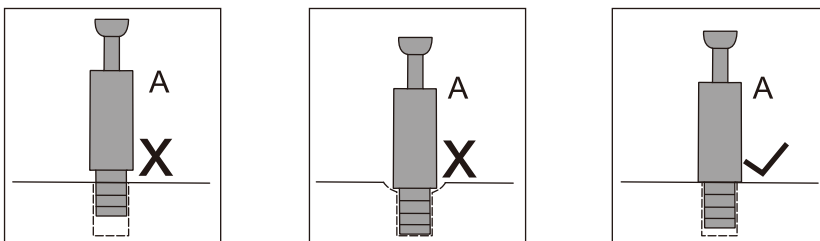


How to install Wood Dowel

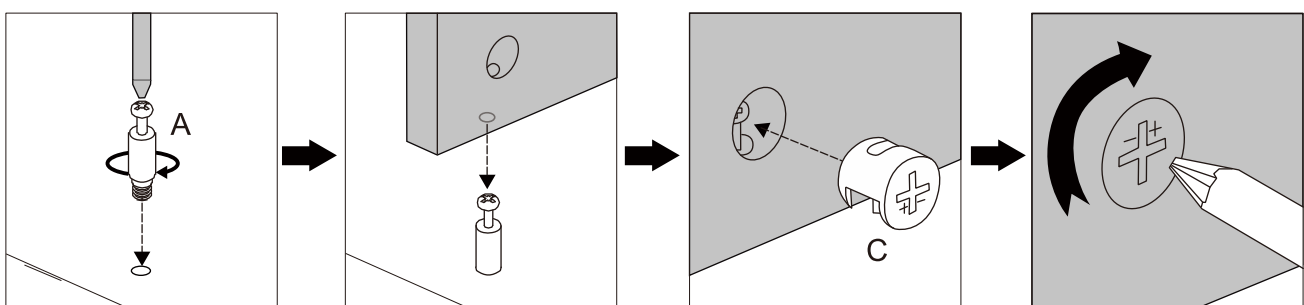
Insert the wood dowel [B] at least half way by tapping lightly with a rubber mallet, IF NECESSARY.



How to use the Cam Lock system



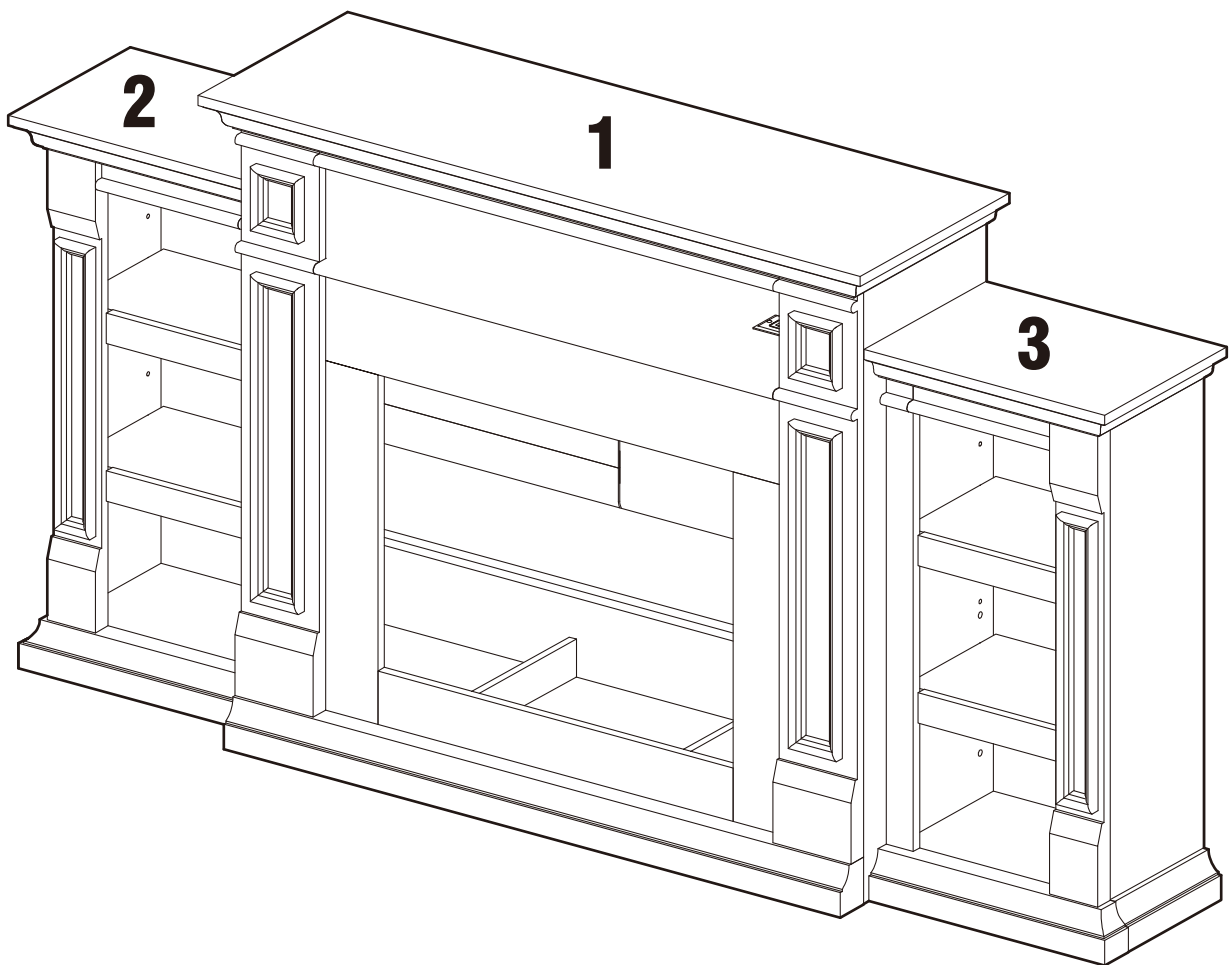
1. Screw the cam bolt [A] into the threaded insert on the panel.
2. Connect both panels together making sure cam bolt [A] goes into the pre-drilled large hole on the end of panel for cam lock [C].
3. Insert the cam lock [C] into the pre-drilled large hole on the panel. **Make sure the cross slot of cam lock [C] faces out.**
4. Rotate the cam lock [C] **clockwise** with a self-supplied philips screwdriver to lock the cam bolt [A] in place.



Now you are ready to assemble the electric fireplace mantel

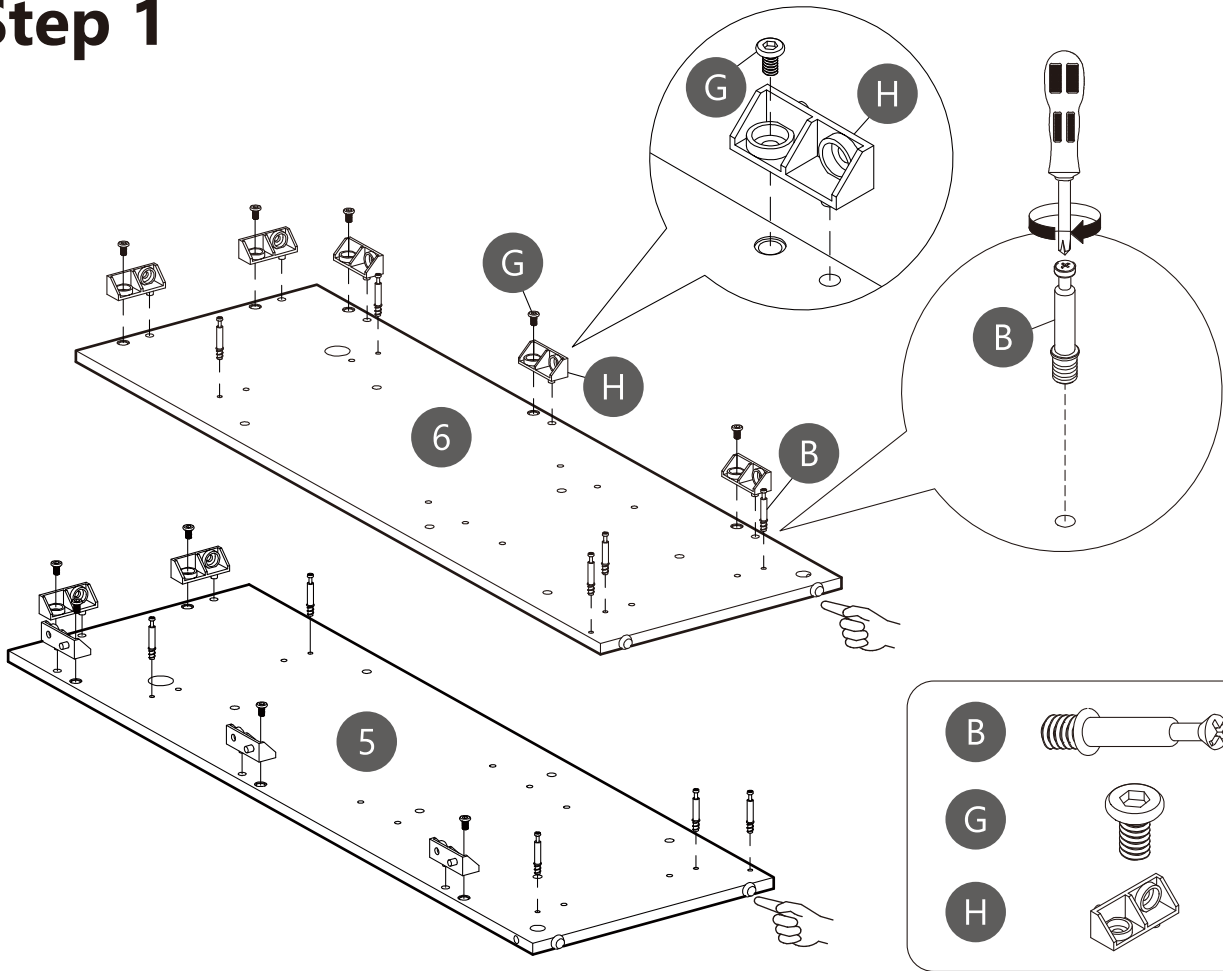
It divided in to three parts in total:

- 1. Install the center part**
- 2. Install the left part**
- 3. Install the right part**

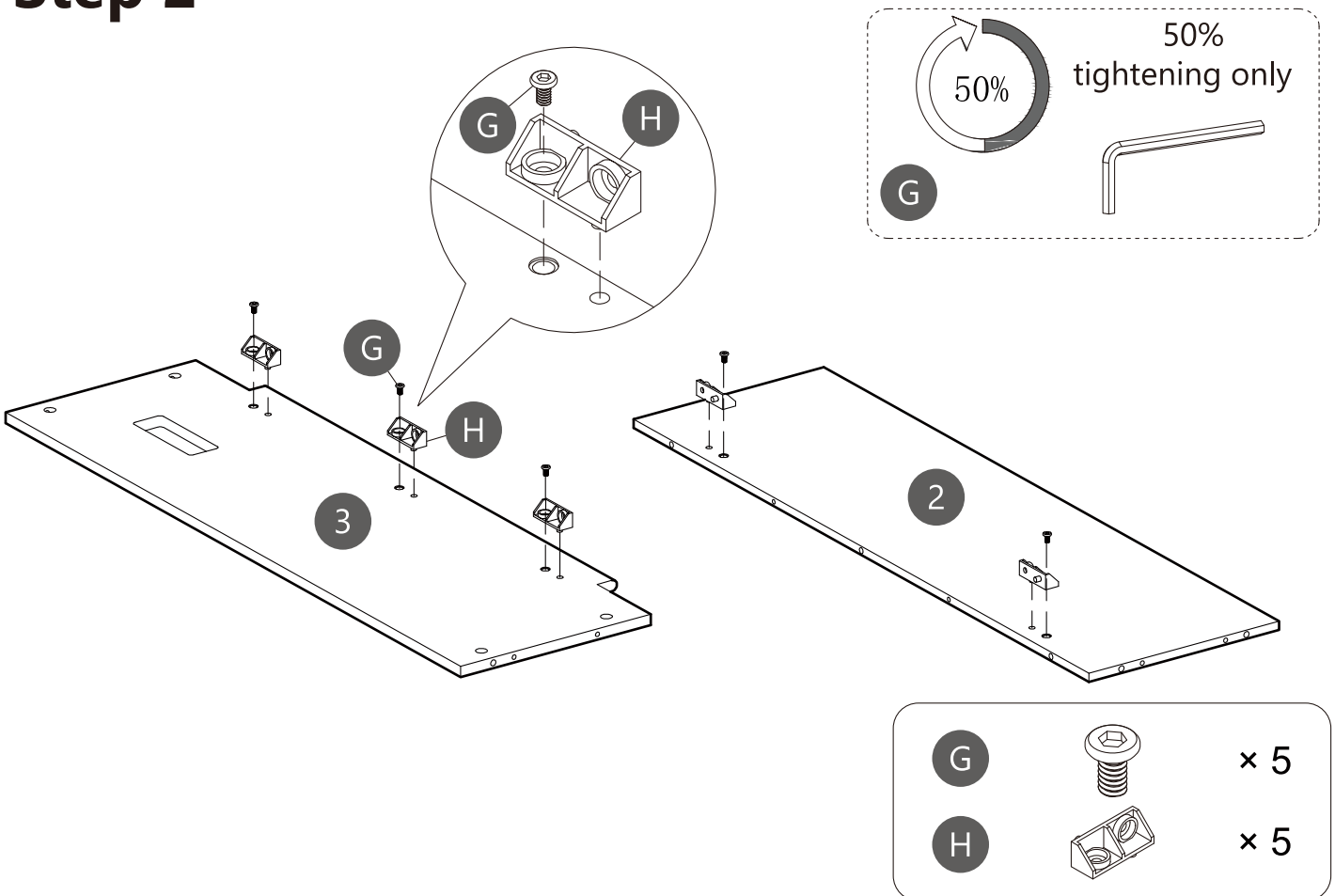


We recommend using a power drill to assemble.

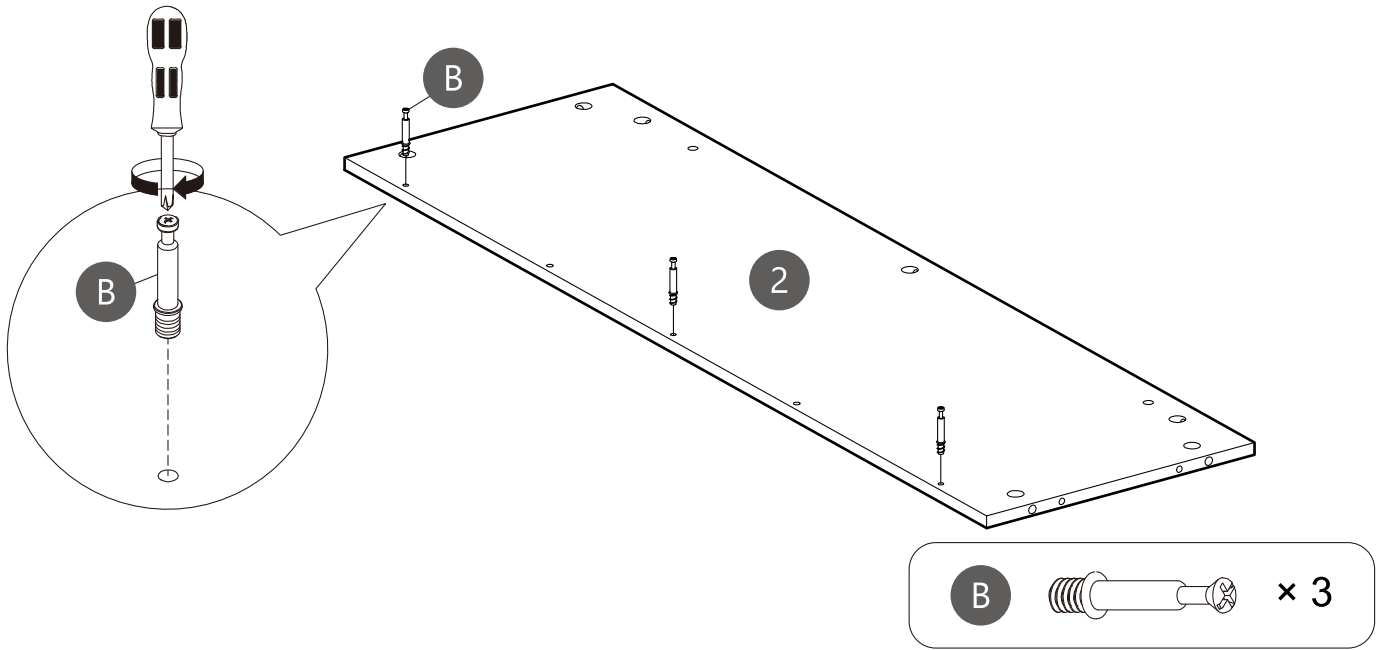
Step 1



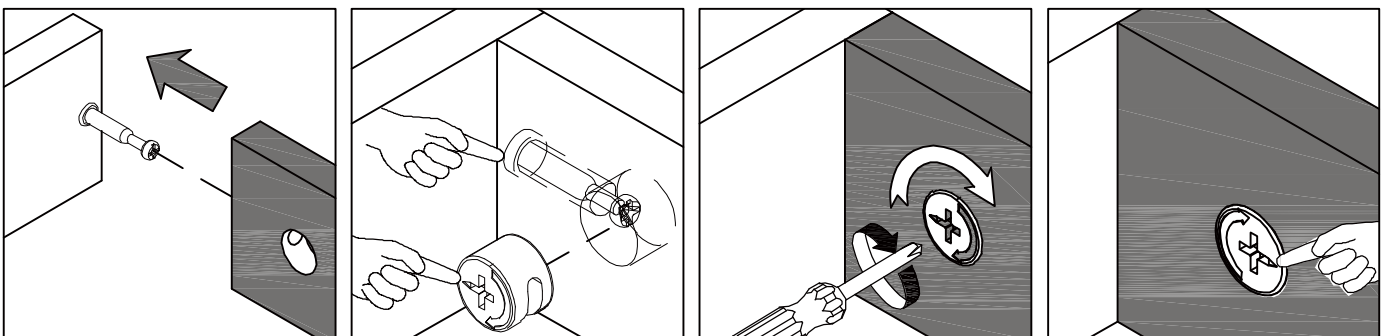
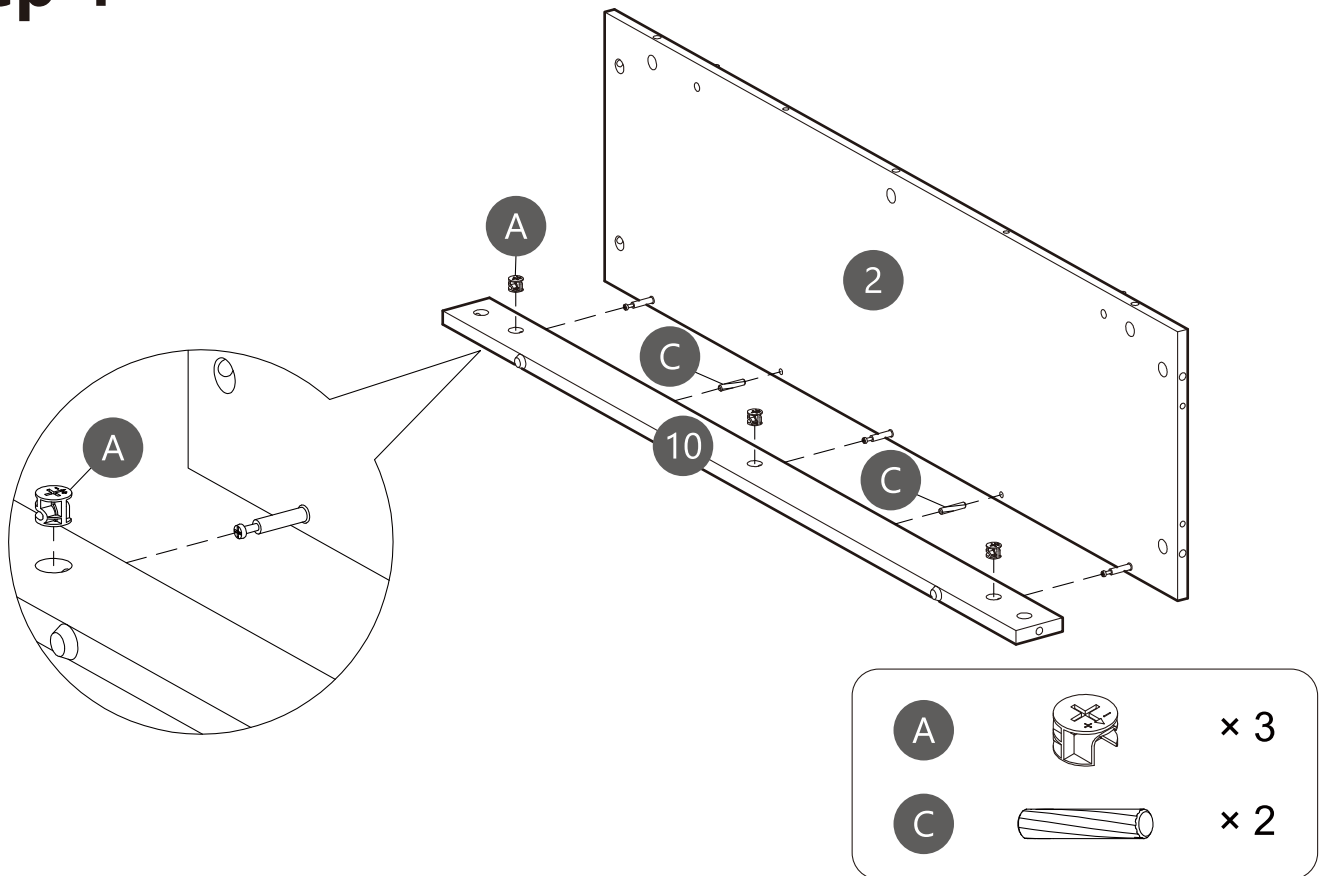
Step 2



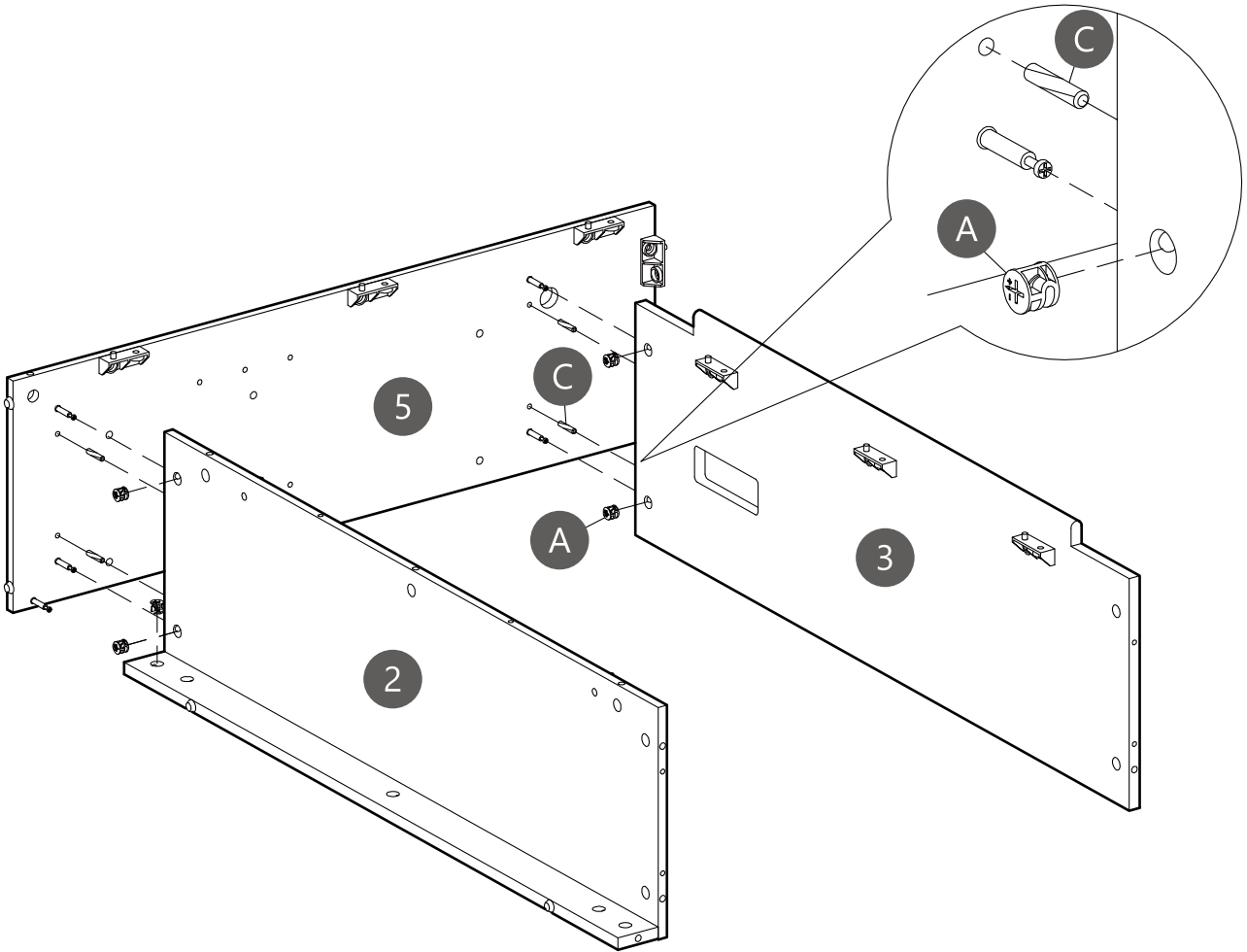
Step 3



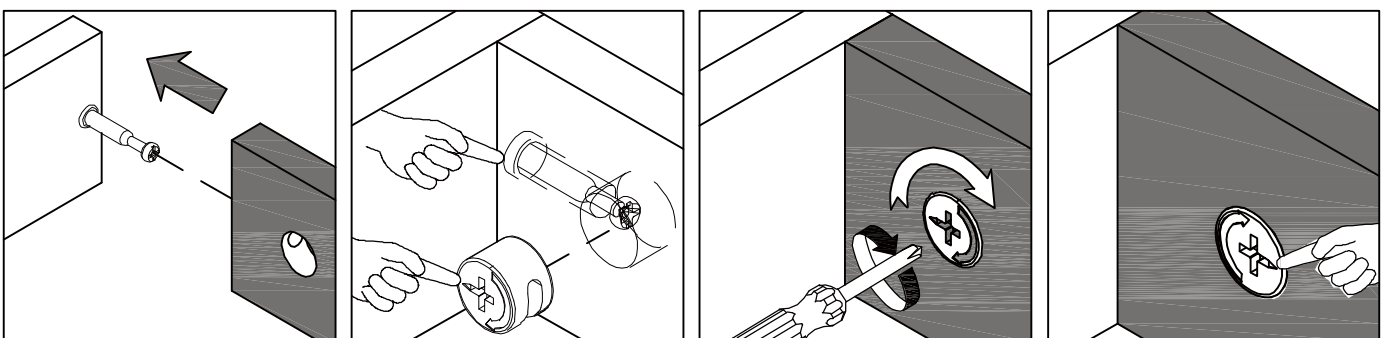
Step 4



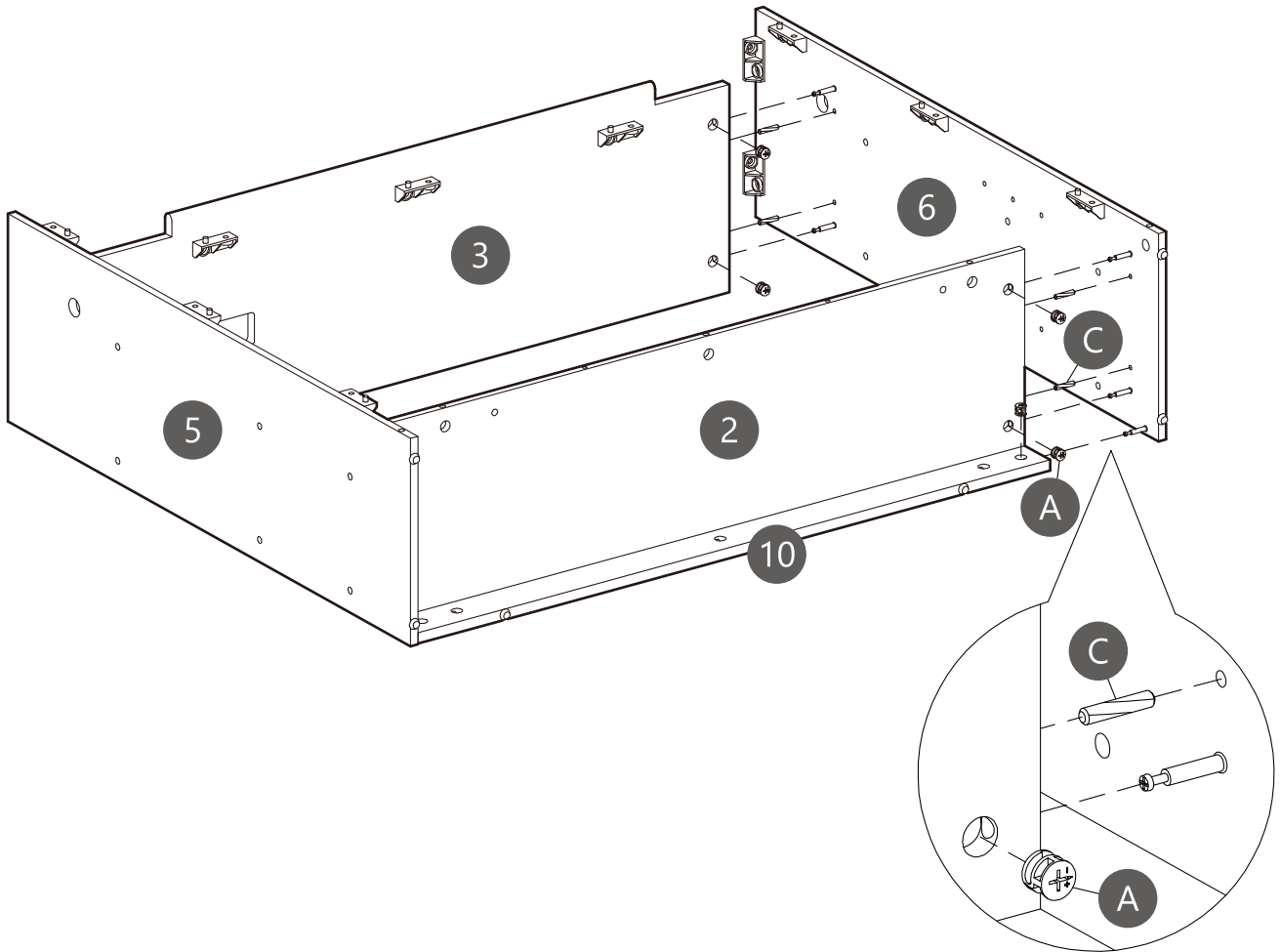
Step 5





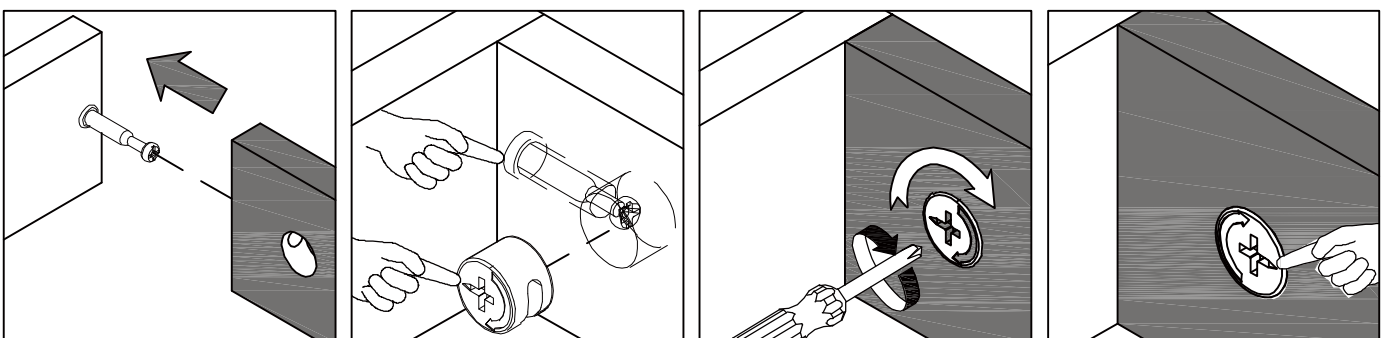
A		× 5
C		× 4



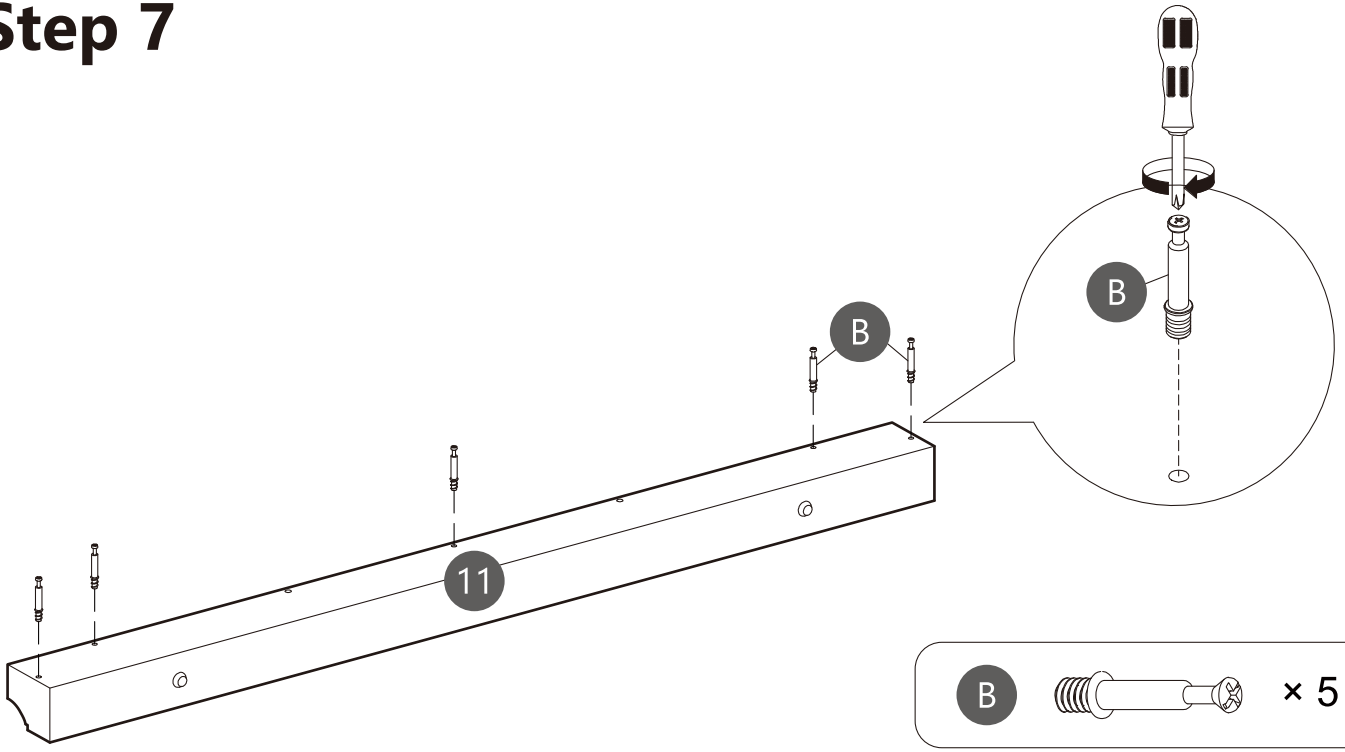
Step 6



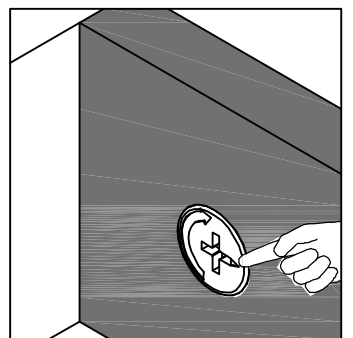
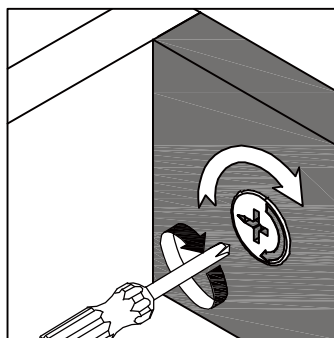
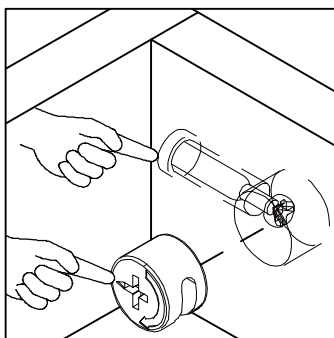
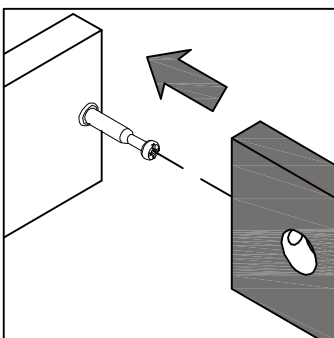
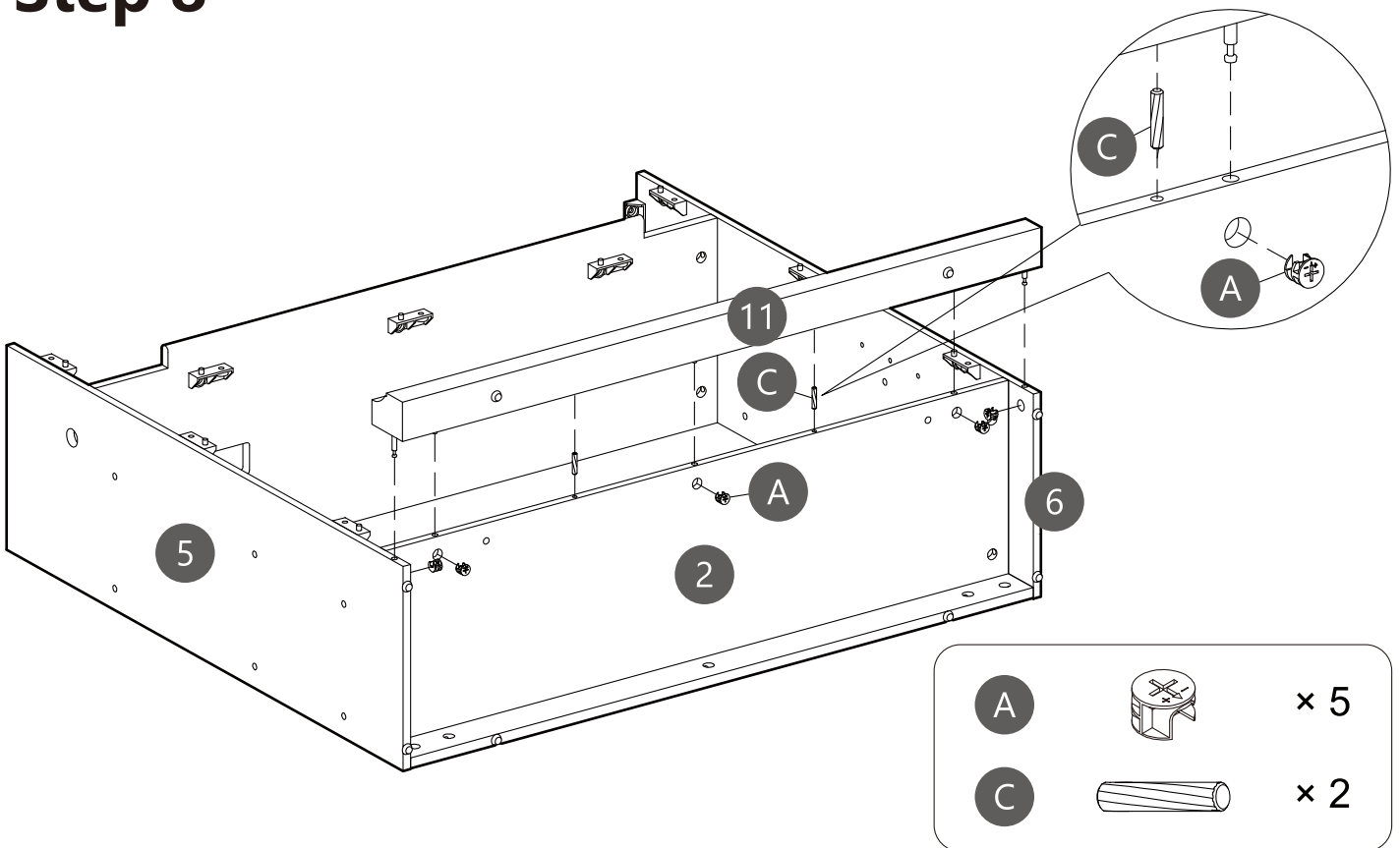
A		× 5
C		× 4



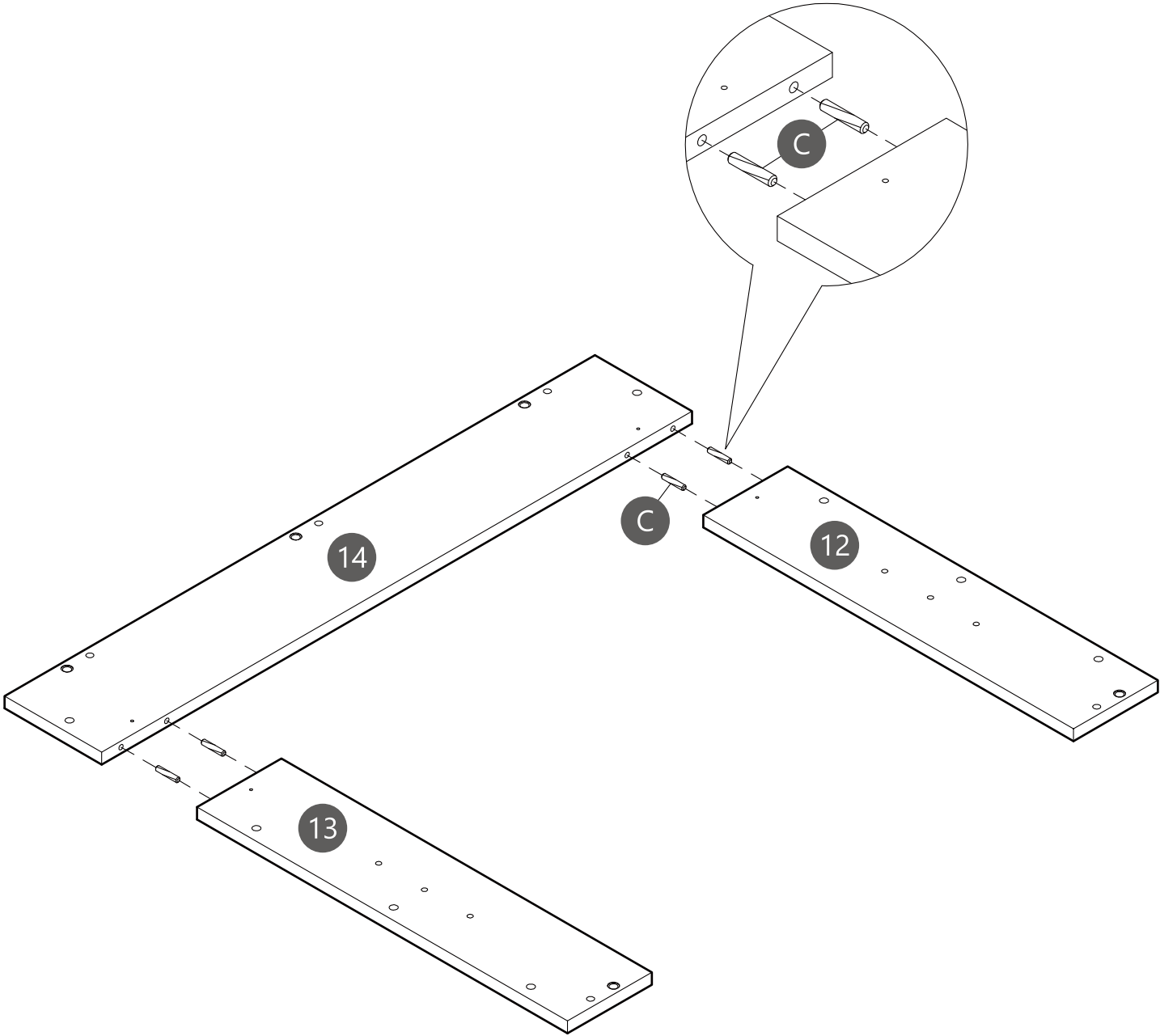
Step 7

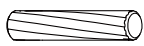


Step 8

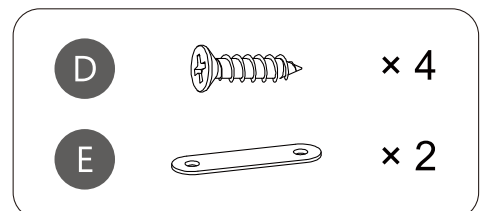
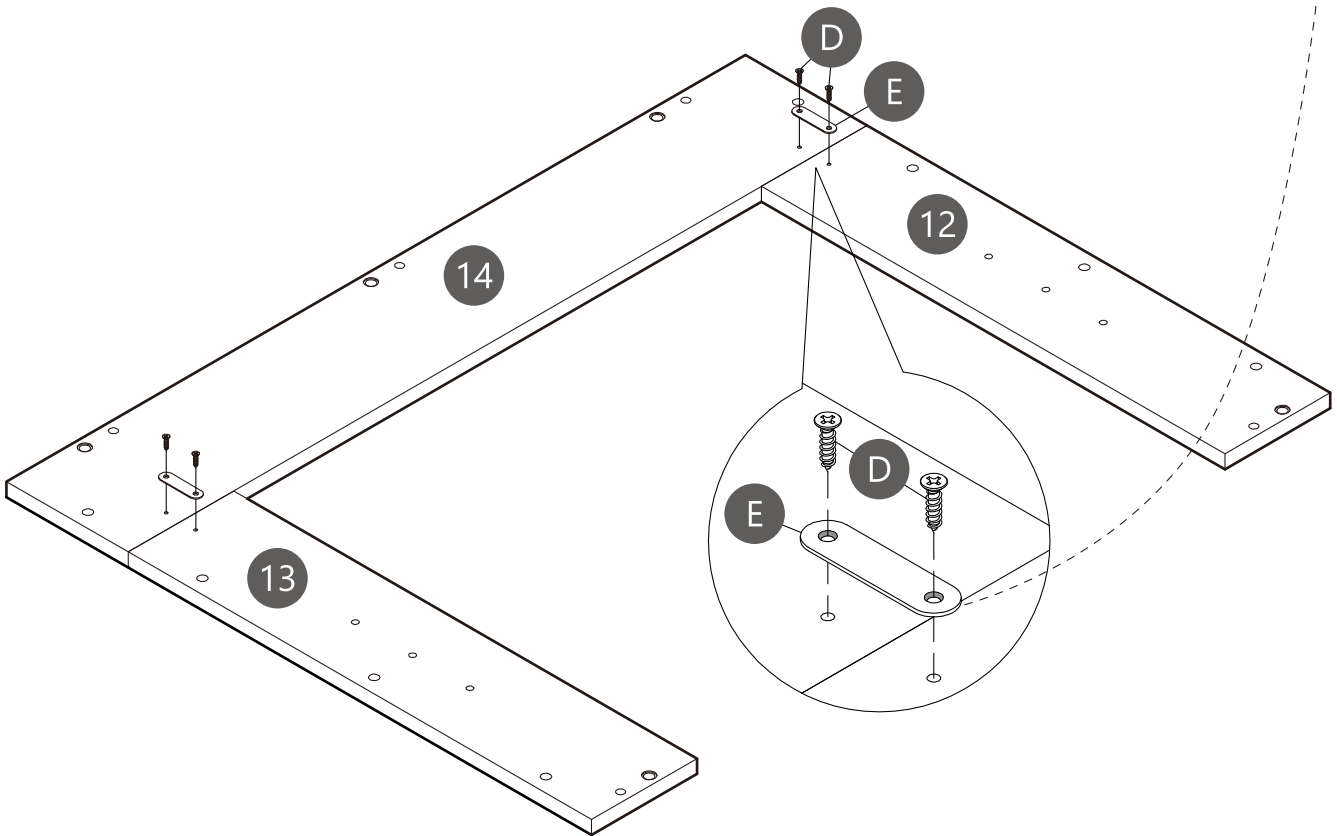
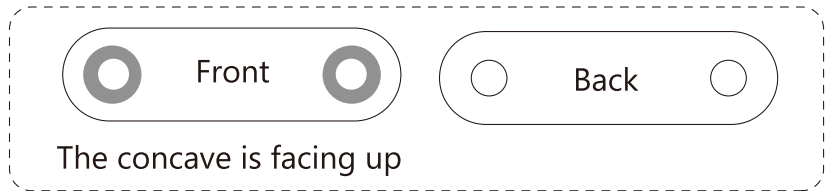


Step 9

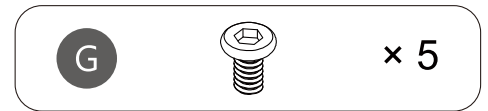
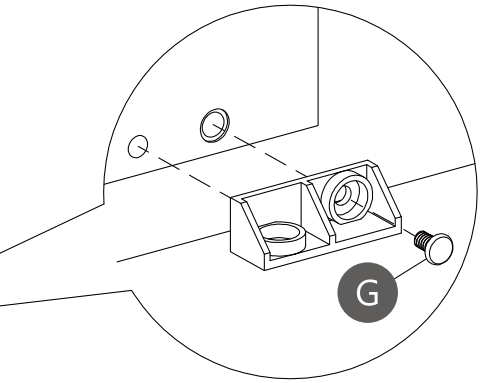
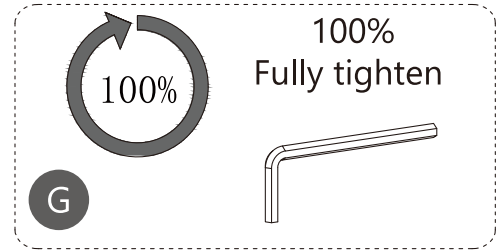
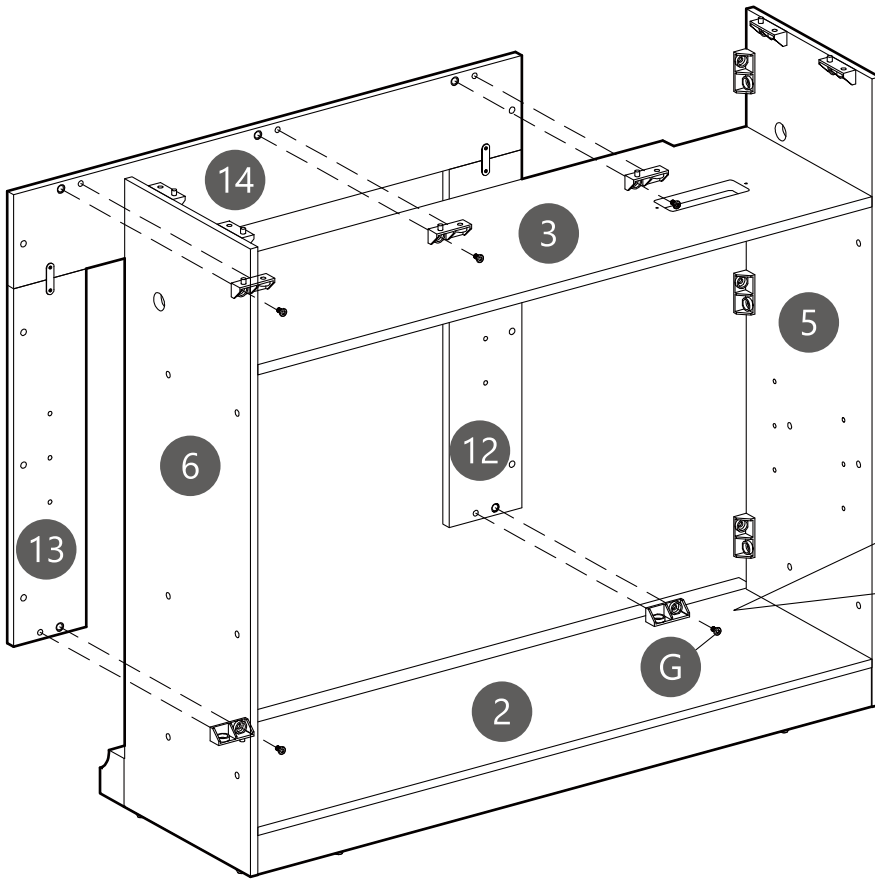


C  × 4

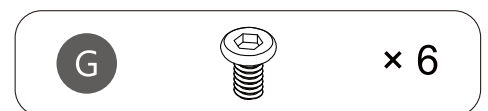
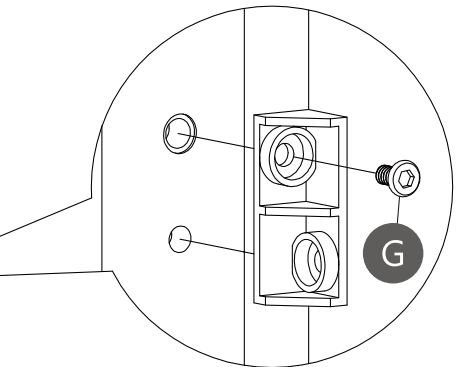
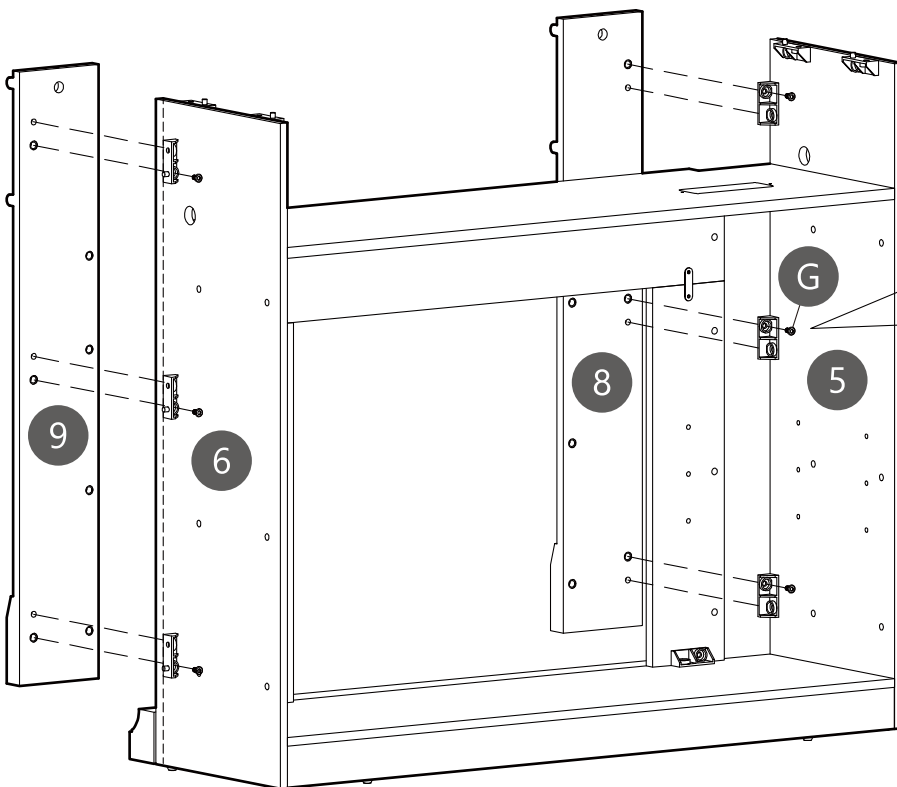
Step 10



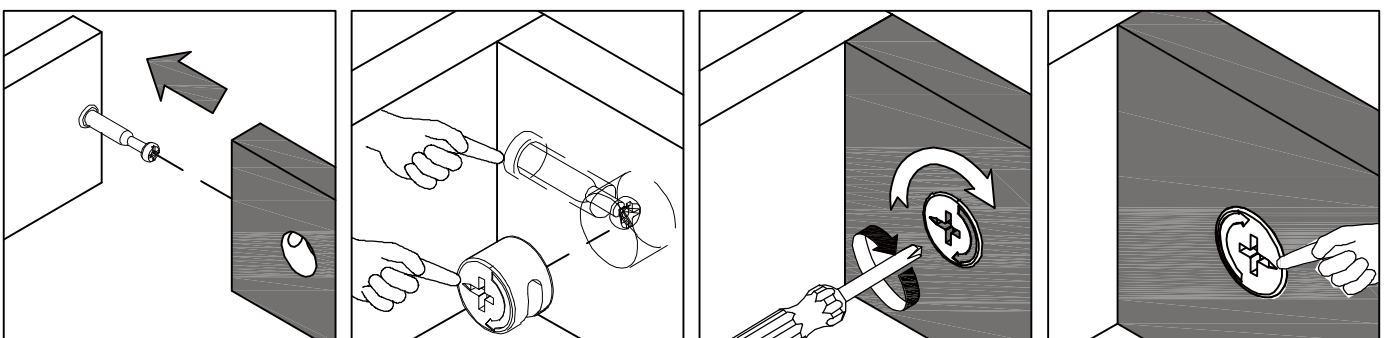
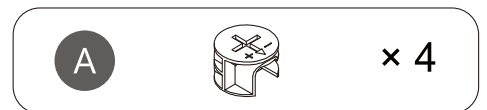
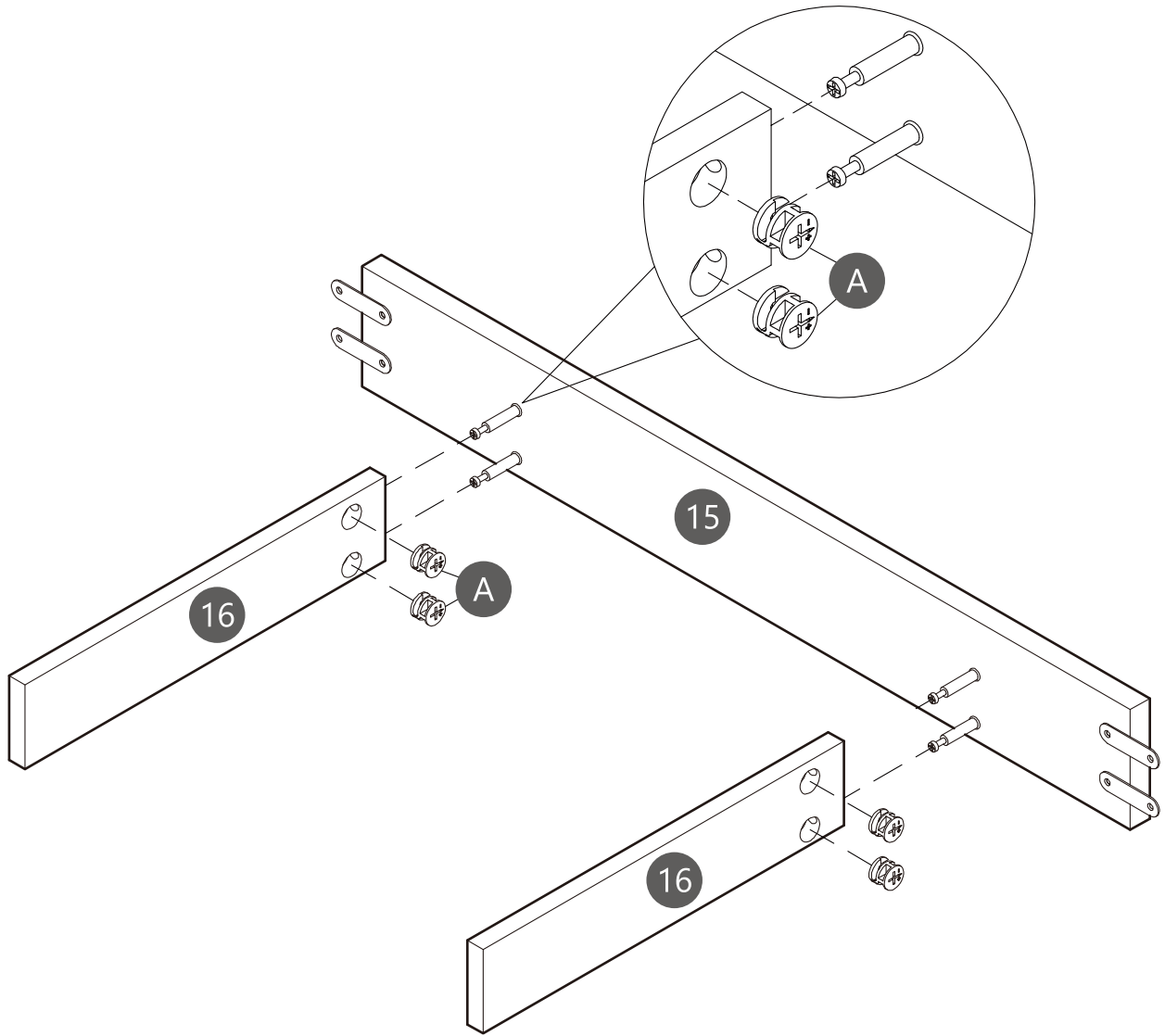
Step 11



Step 12

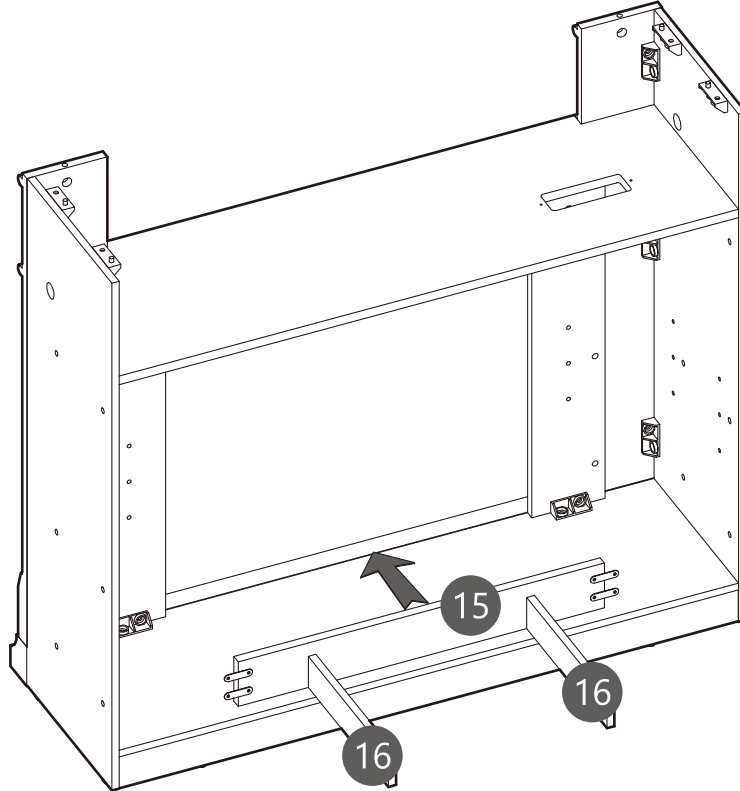


Step 15

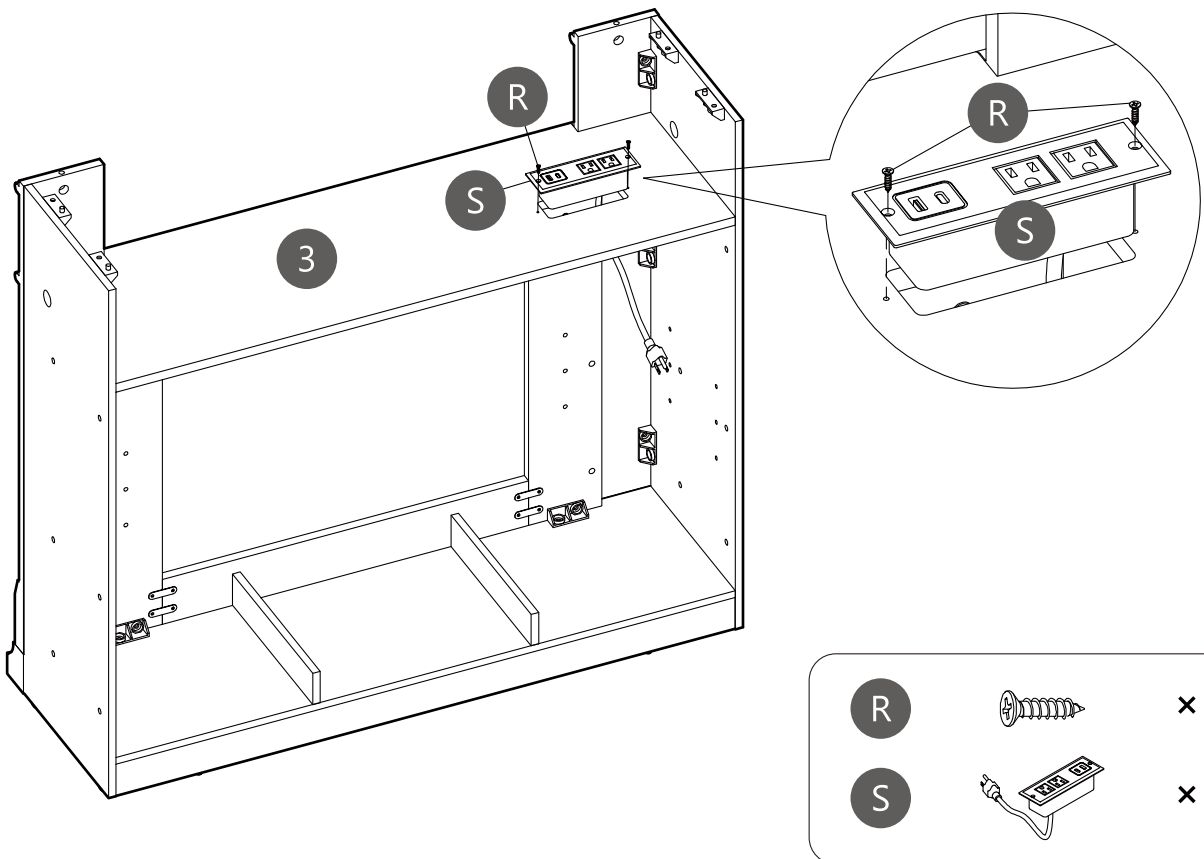


Step 16

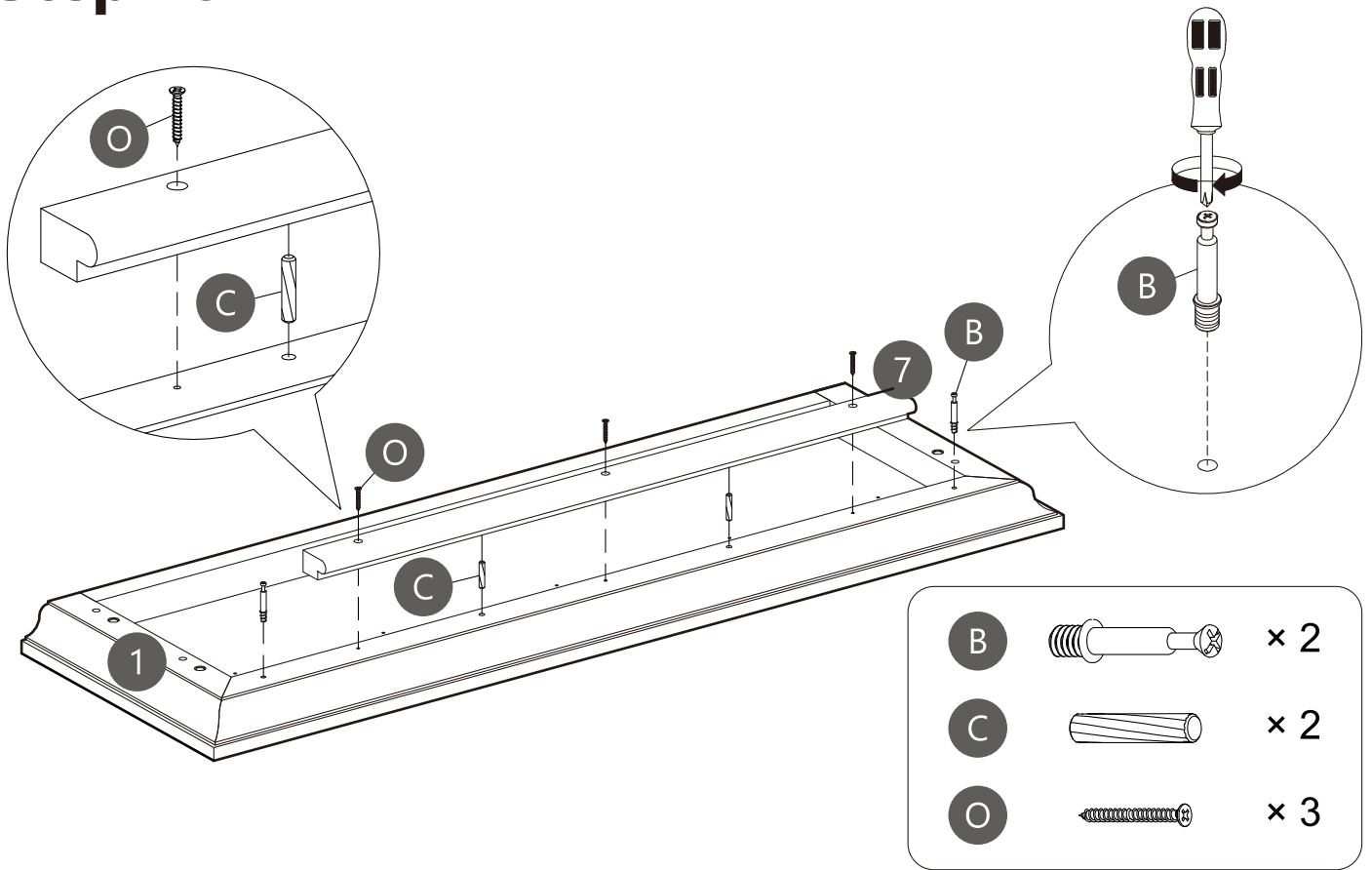
When you don't use it with a fireplace heater, (15&16) can be removed.



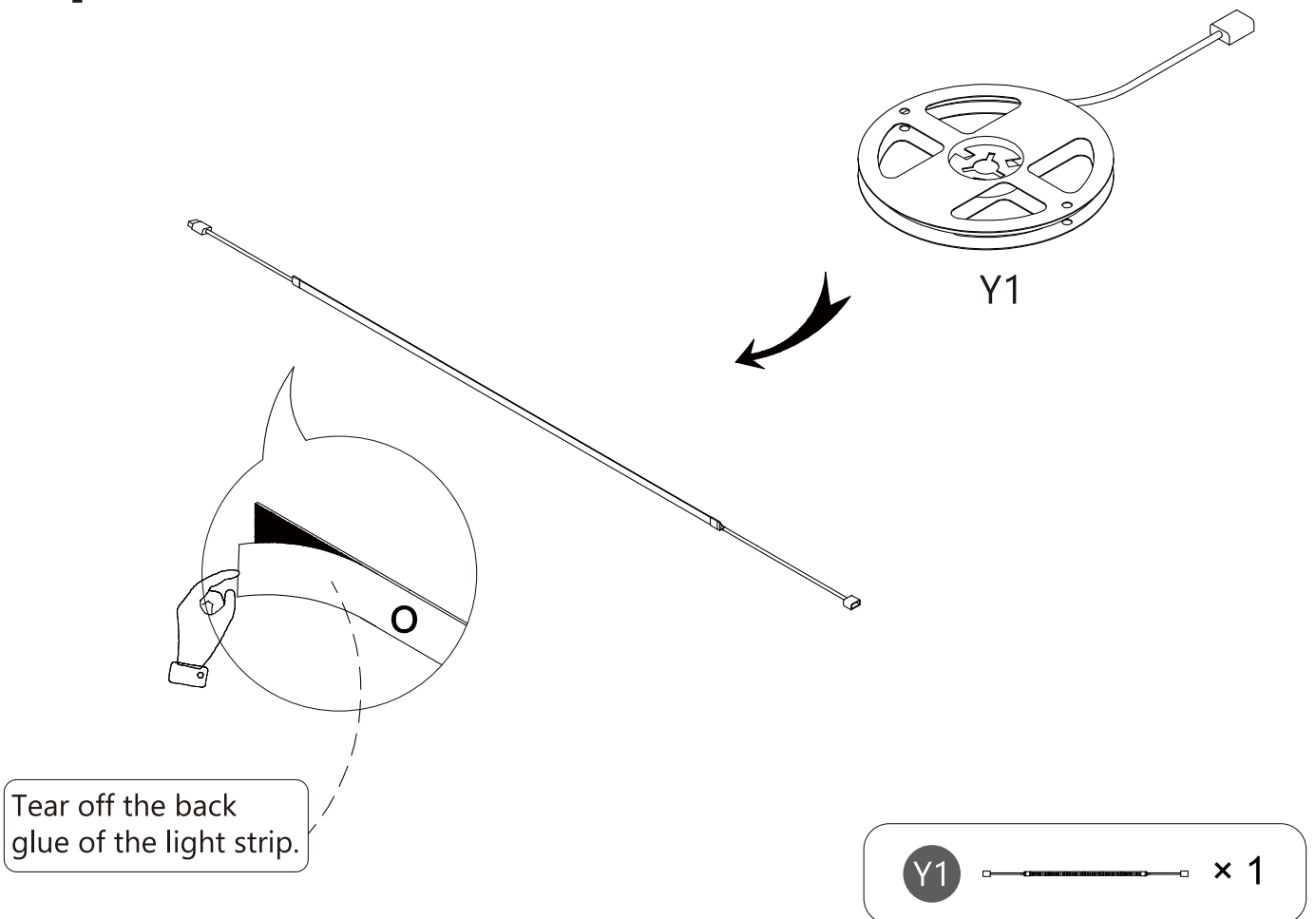
Step 17



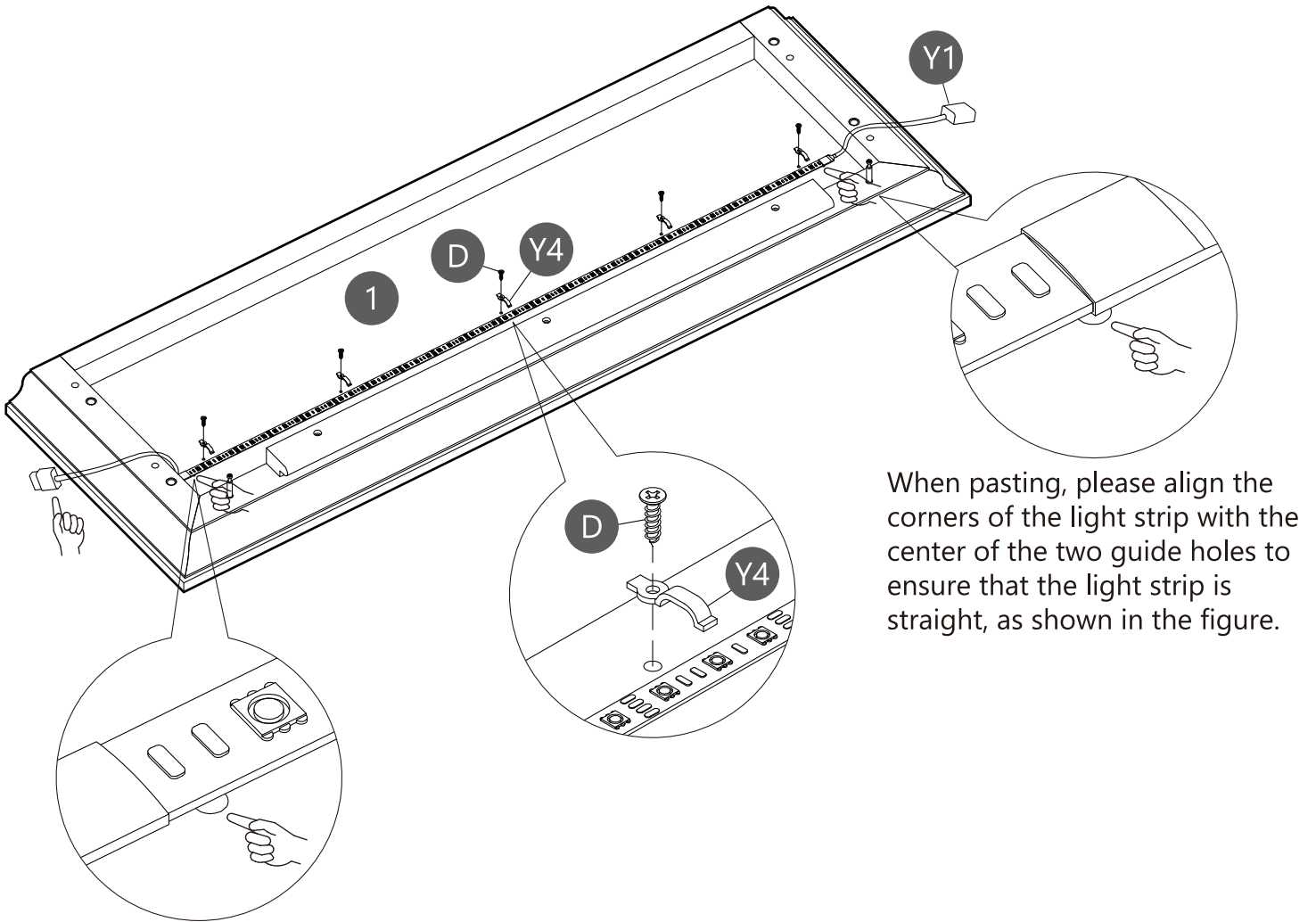
Step 18






Step 19



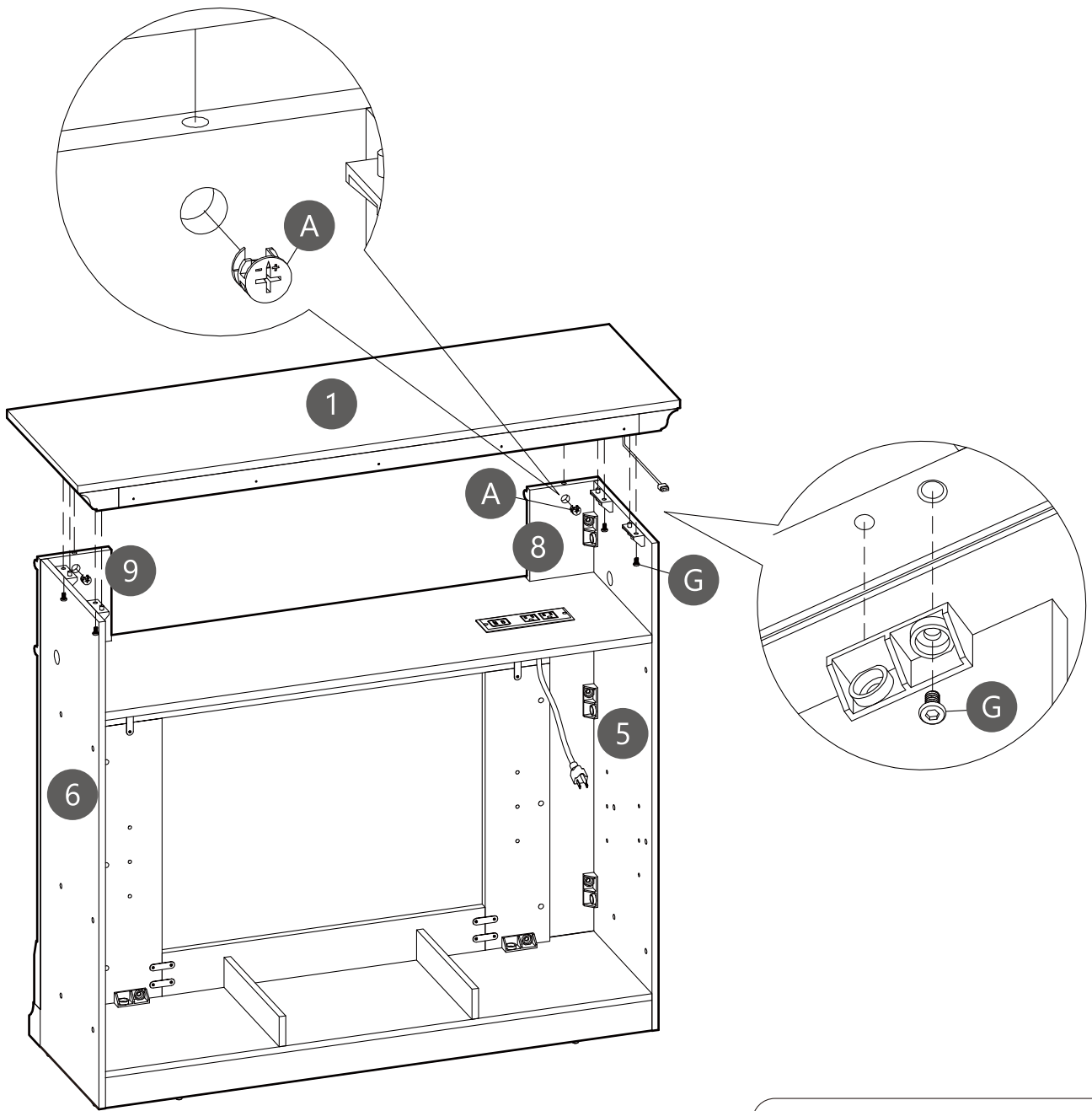
Step 20





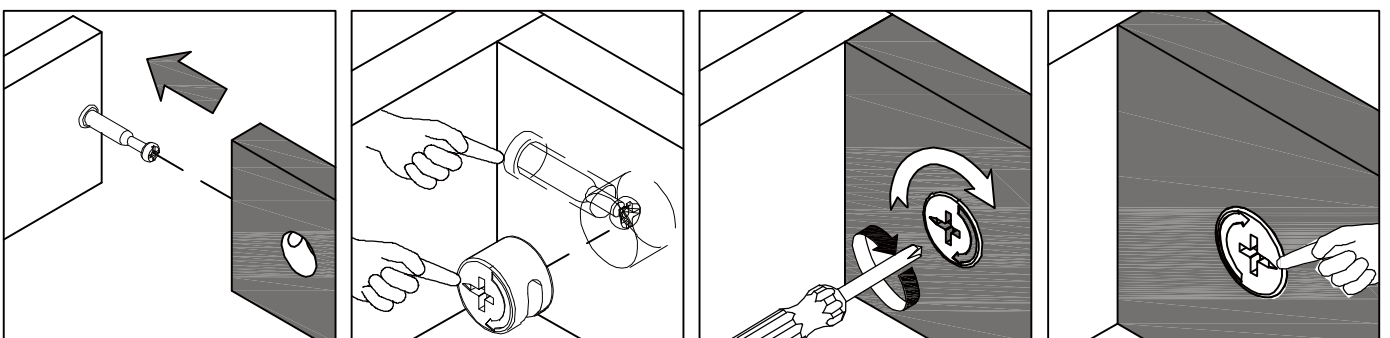
When pasting, please align the corners of the light strip with the center of the two guide holes to ensure that the light strip is straight, as shown in the figure.

D		× 5
Y1		× 1
Y4		× 5

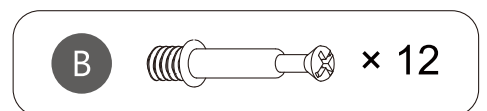
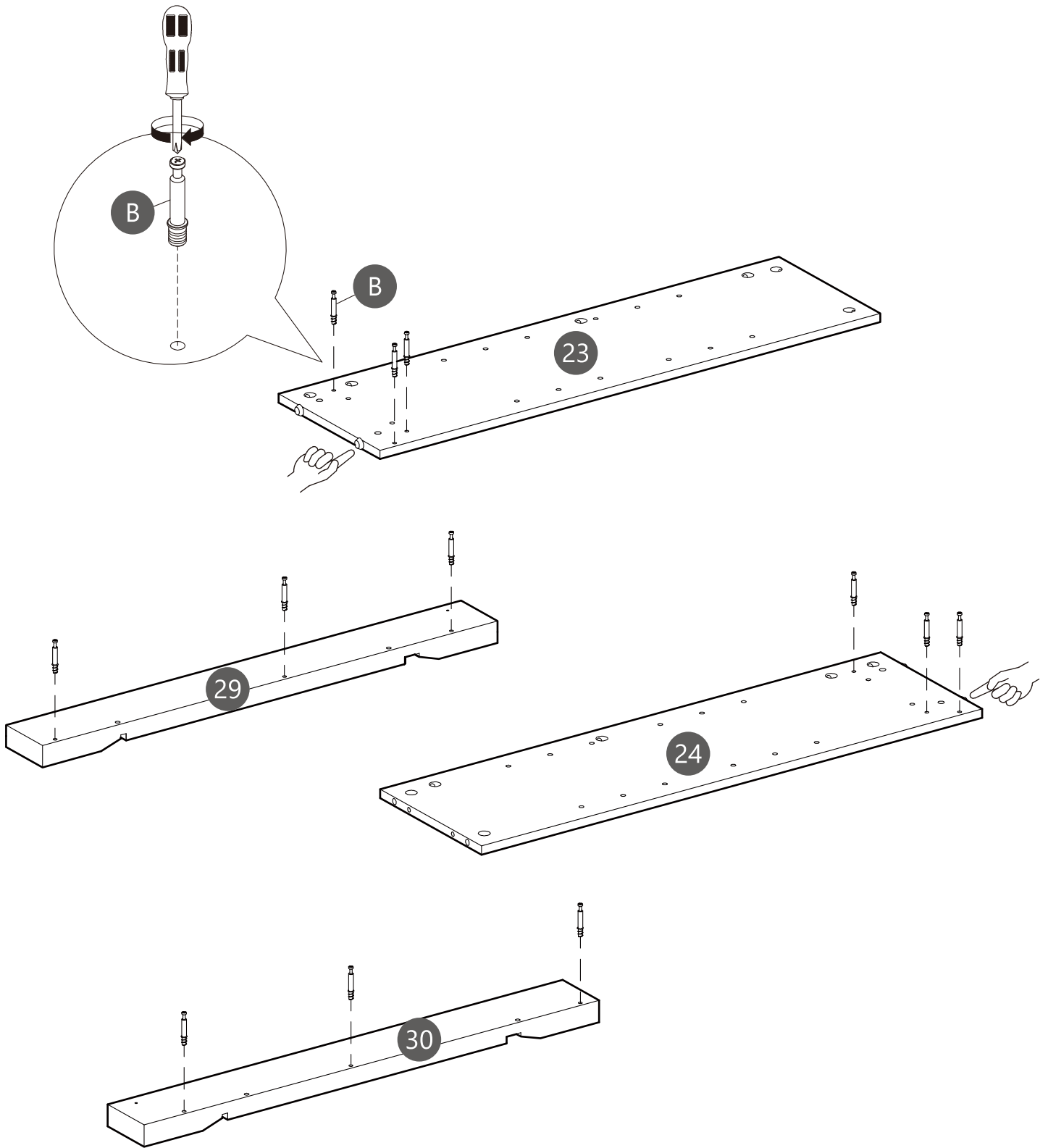
Step 21



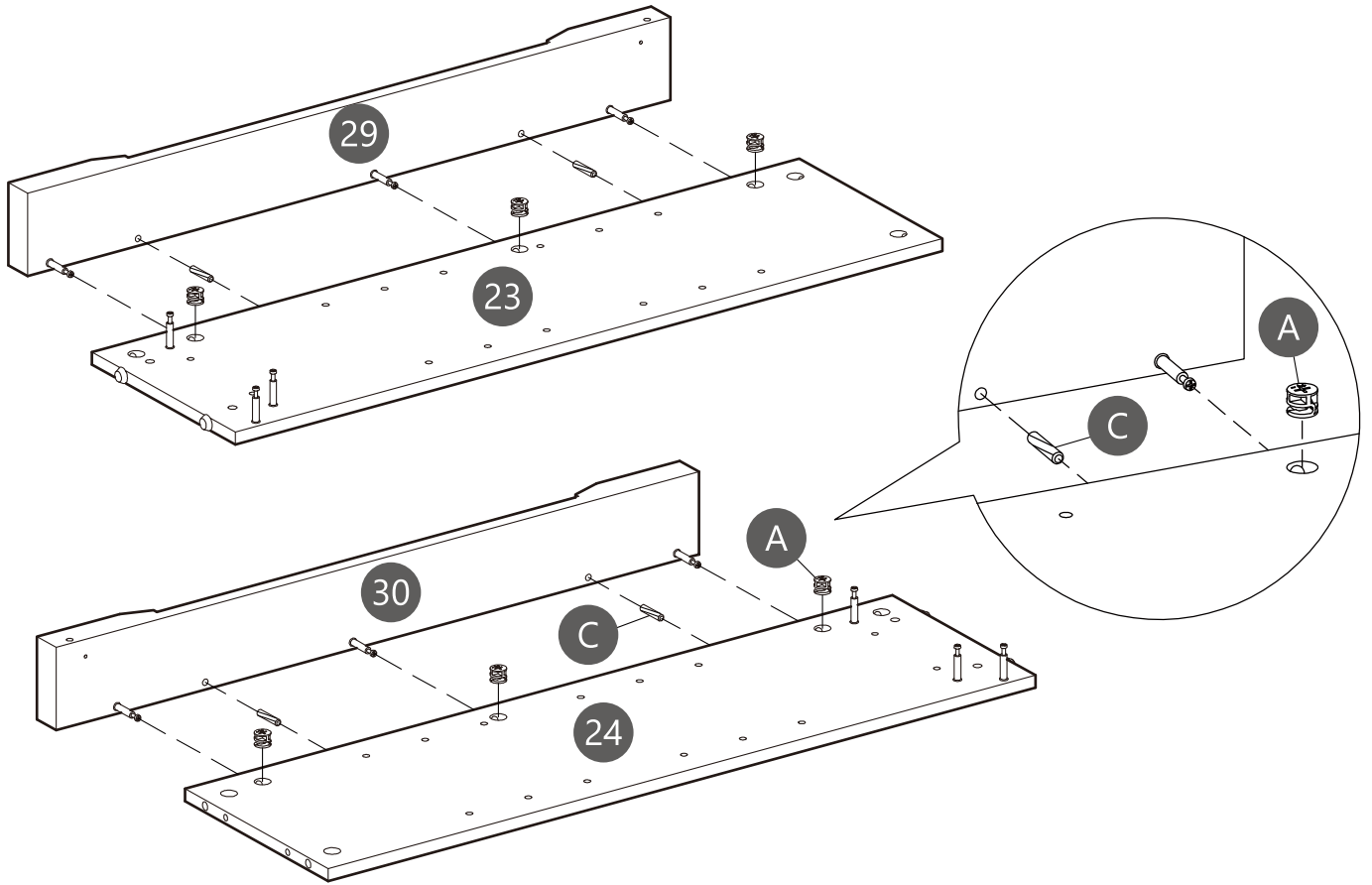
A		× 2
G		× 4





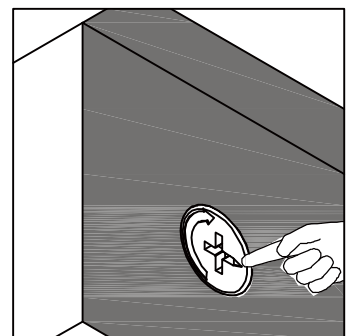
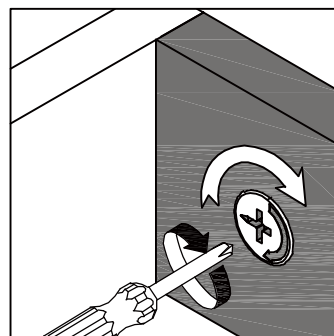
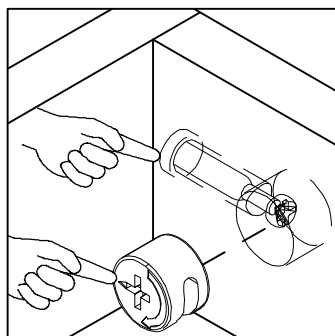
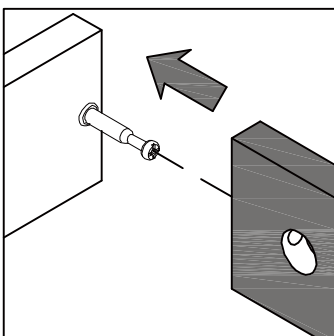
Step 22



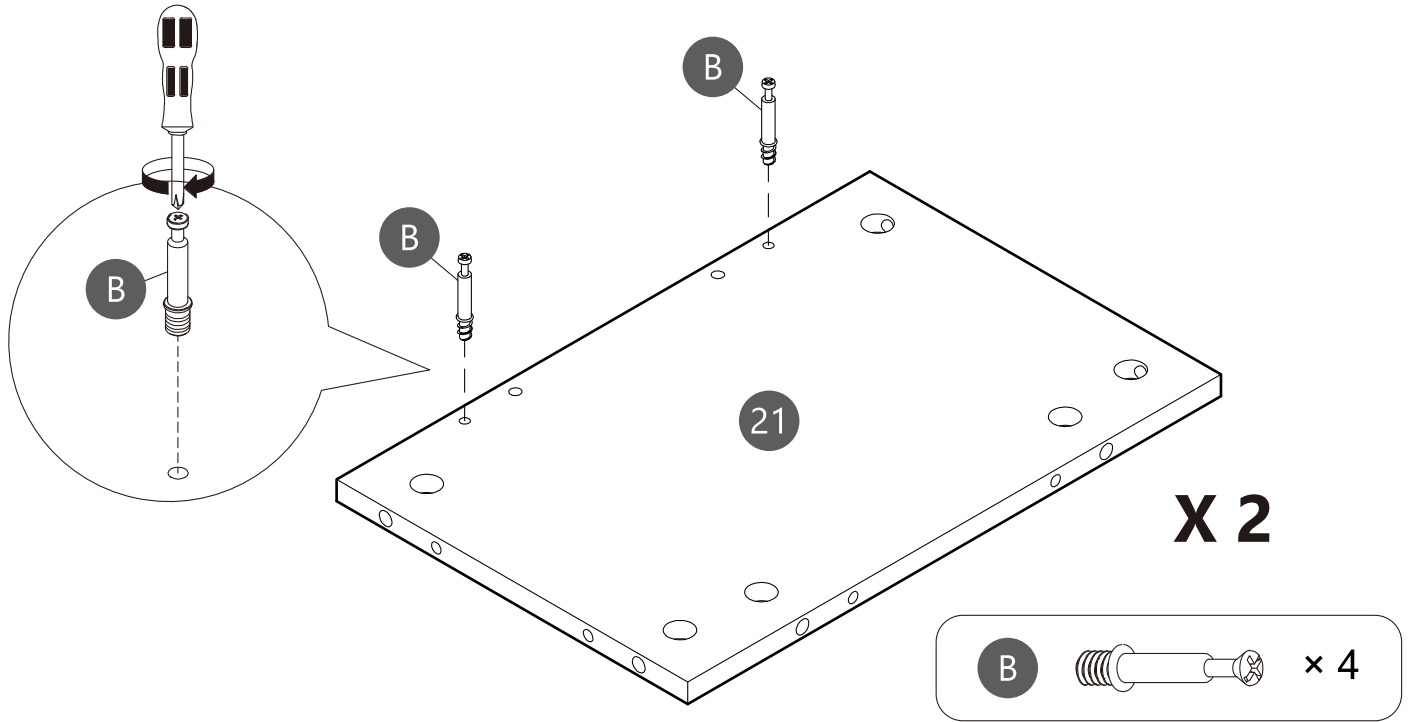
Step 23



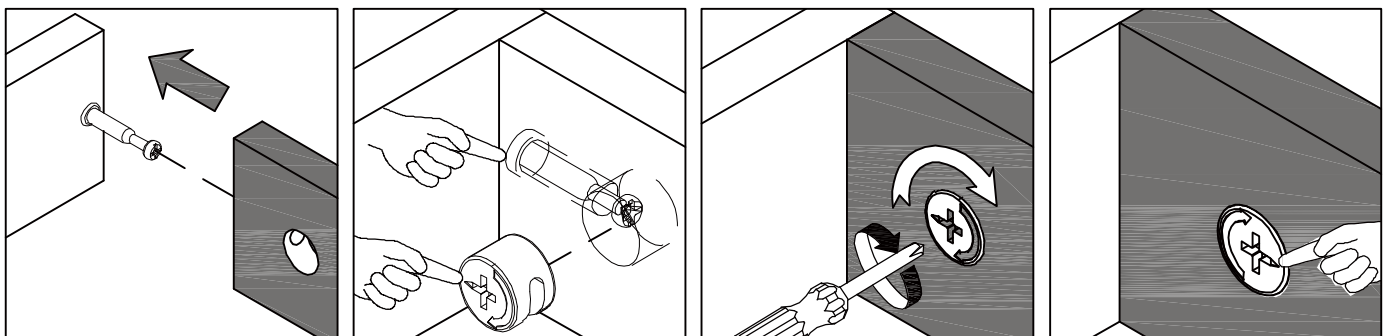
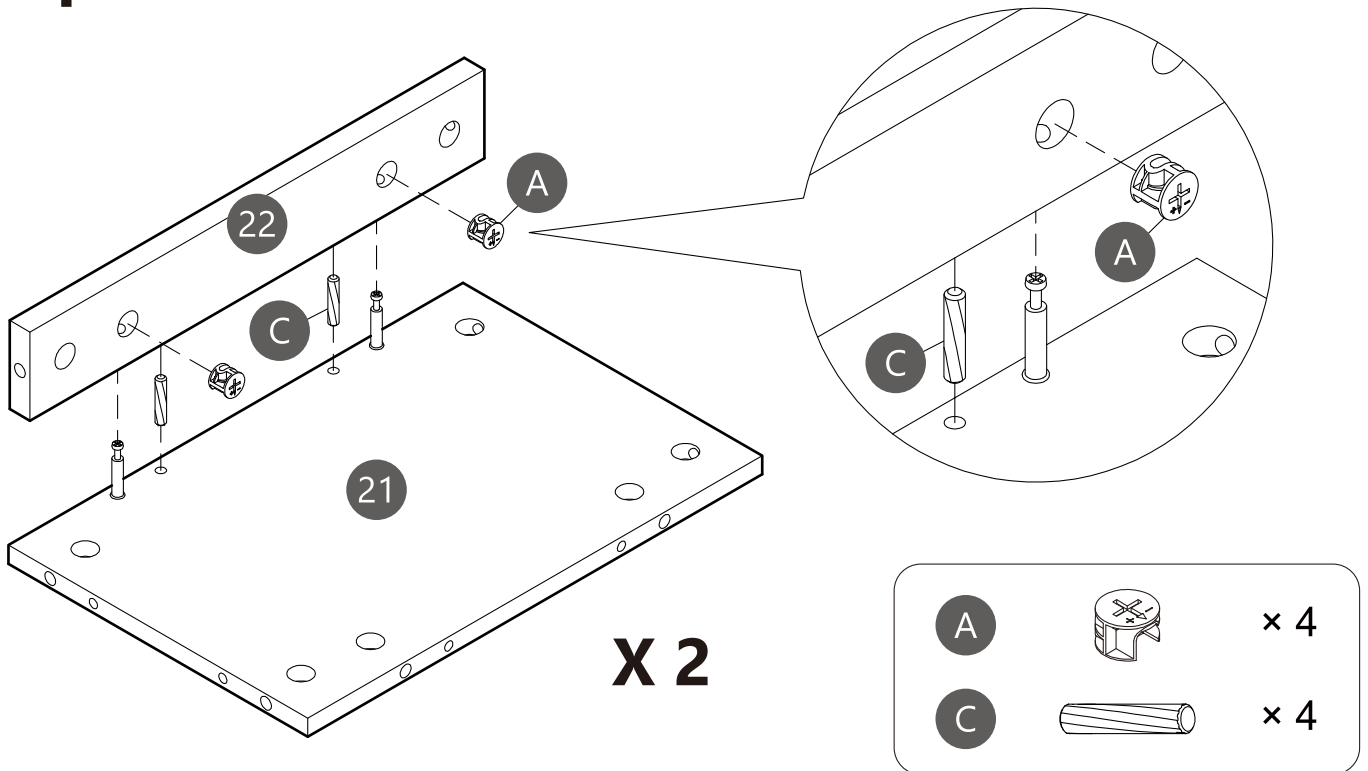
A		× 6
C		× 4



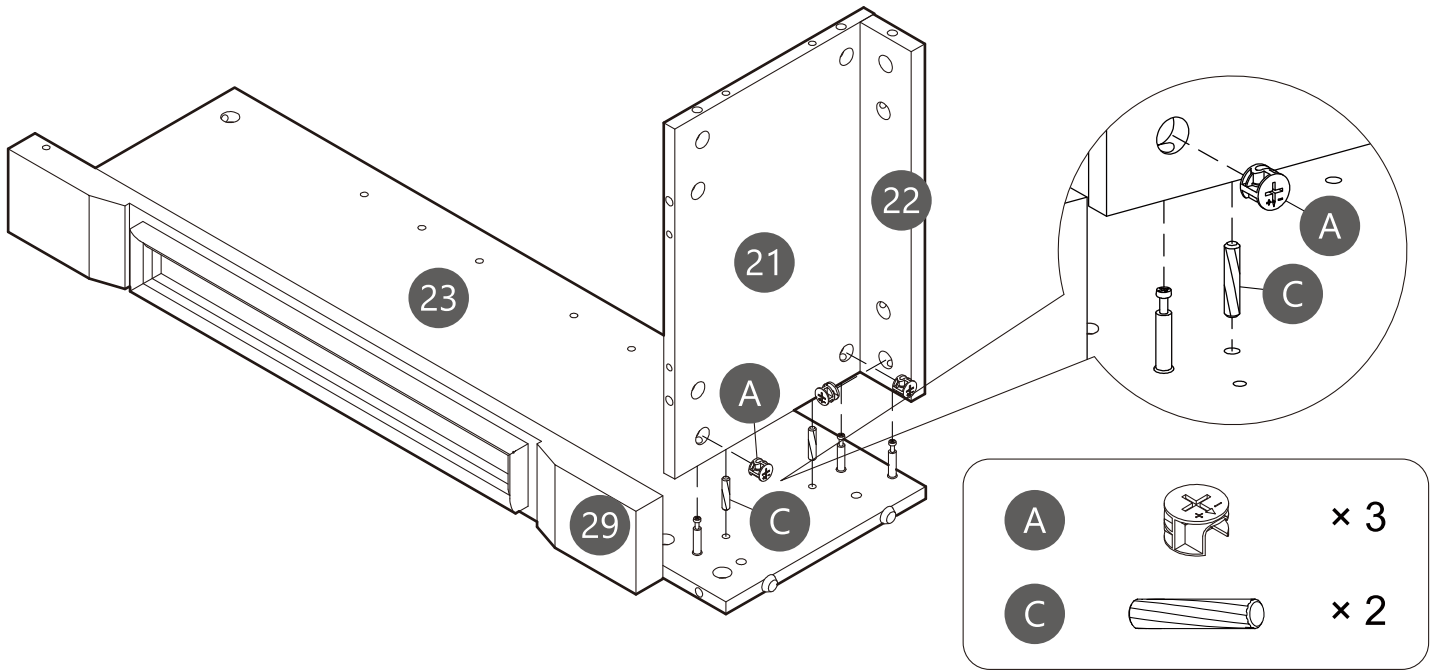
Step 24



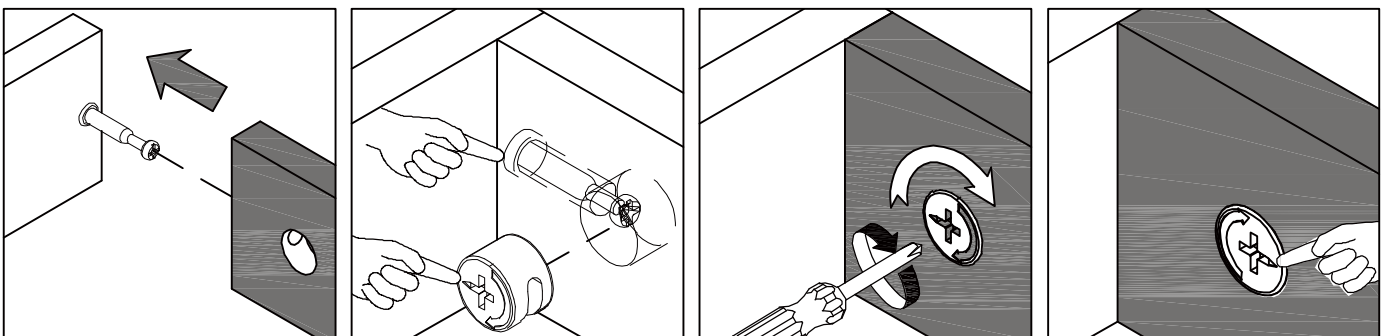
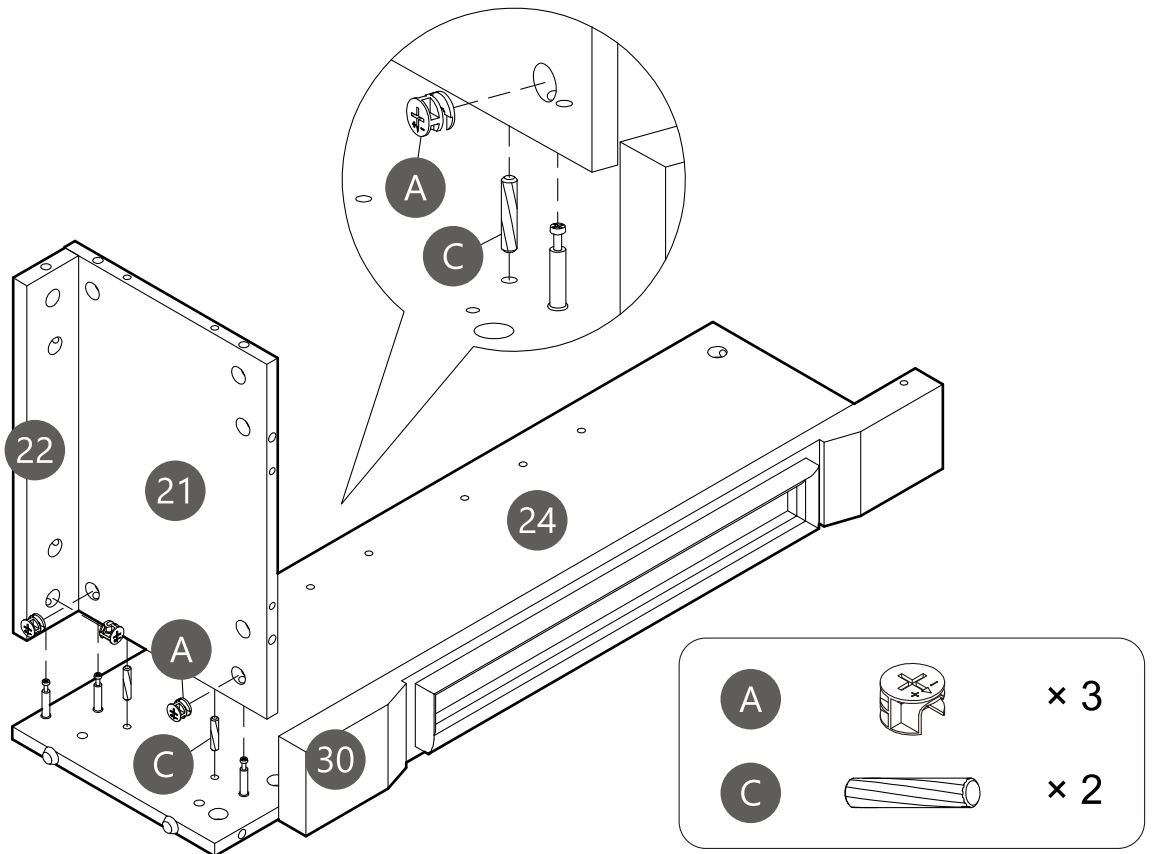
Step 25



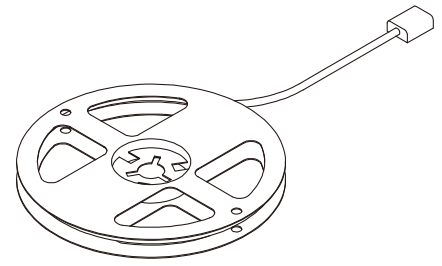
Step 26



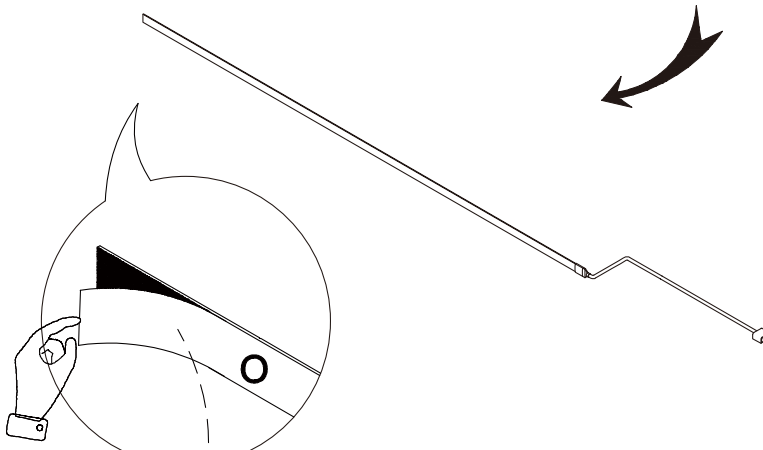
Step 27



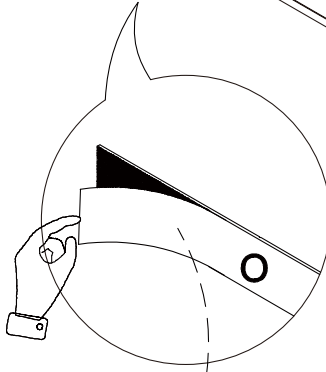
Step 28



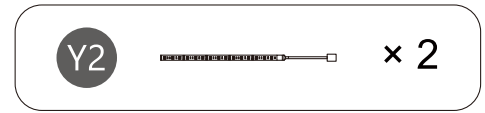
Y2



X 2

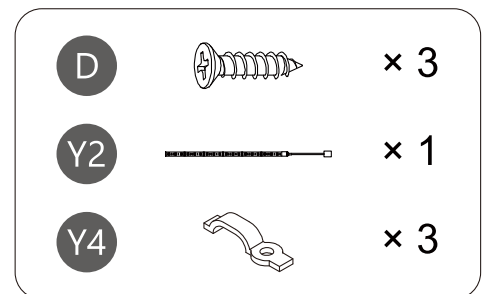
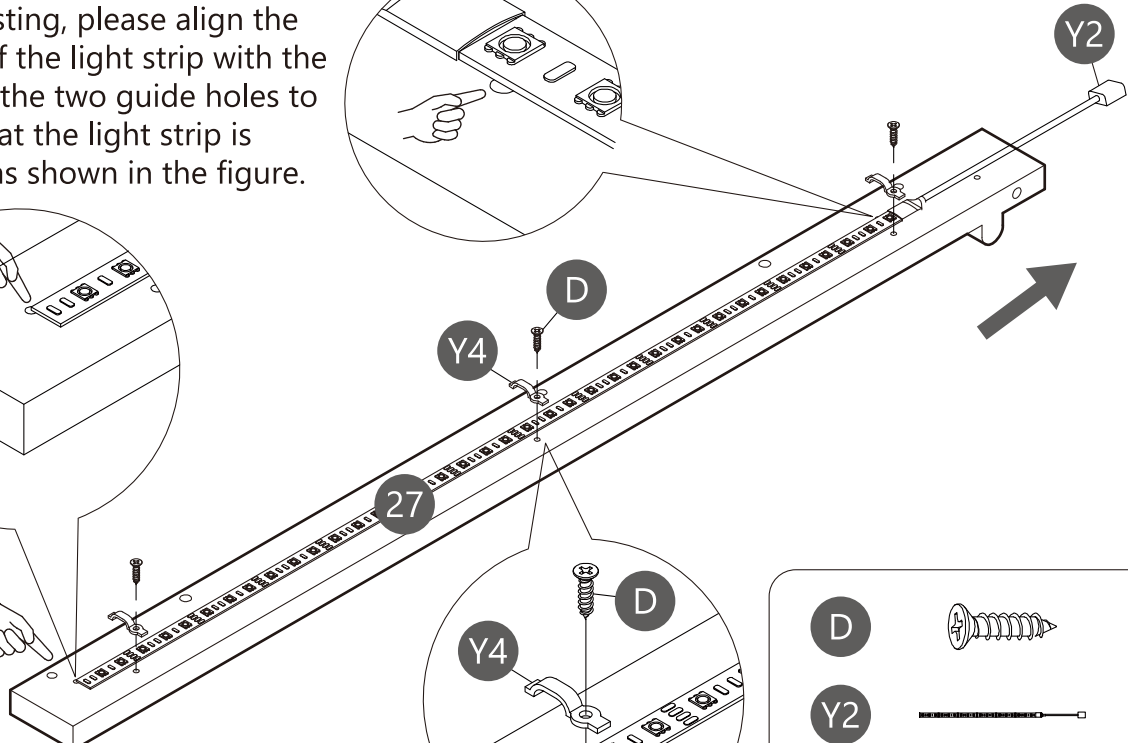
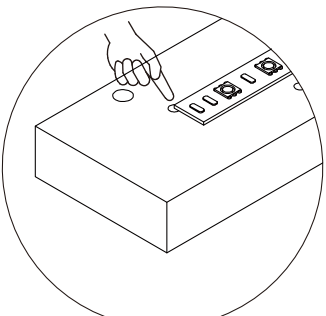
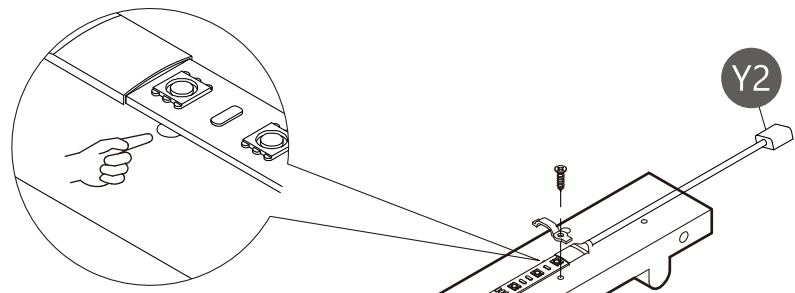


Tear off the back glue of the light strip.



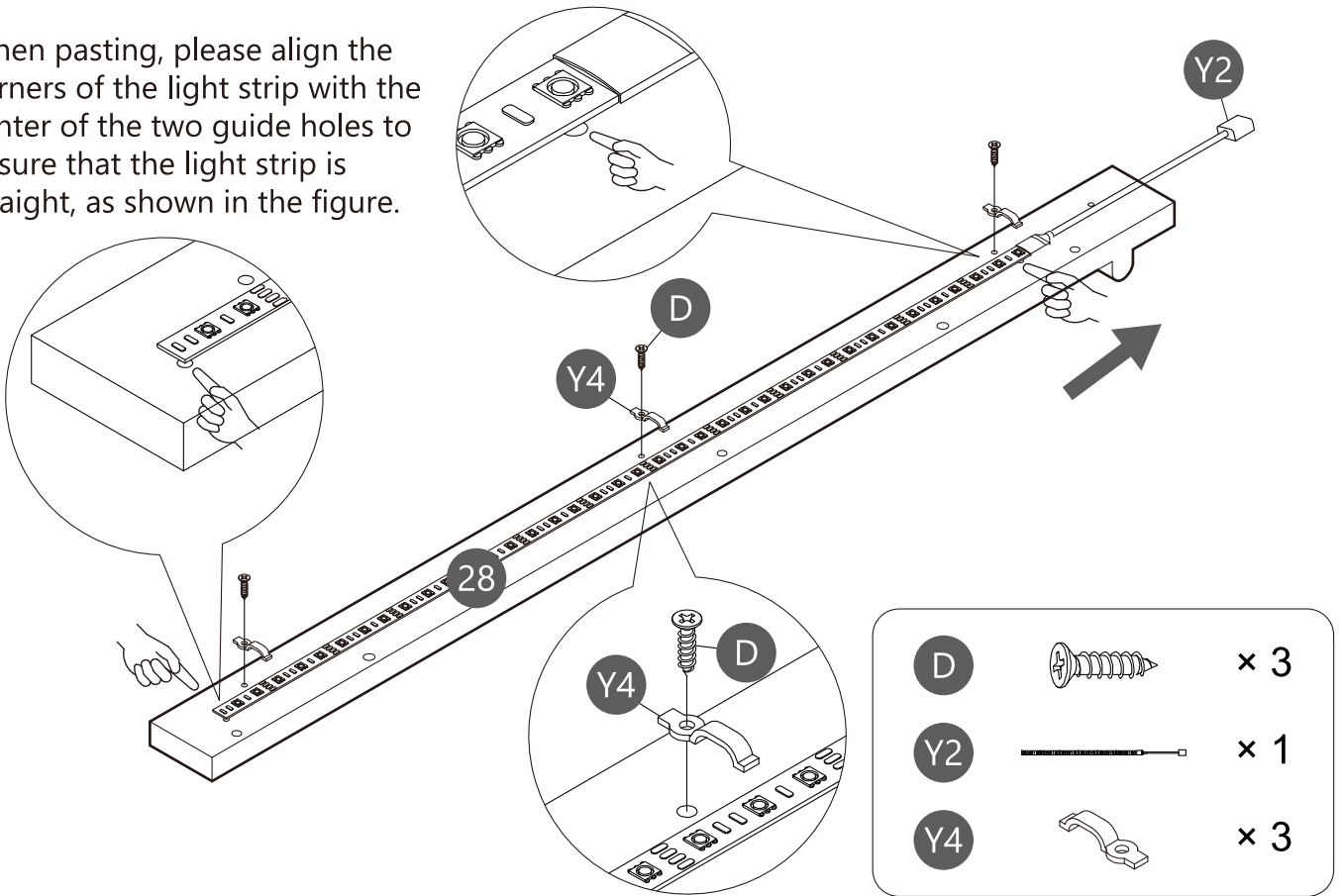
Step 29

When pasting, please align the corners of the light strip with the center of the two guide holes to ensure that the light strip is straight, as shown in the figure.

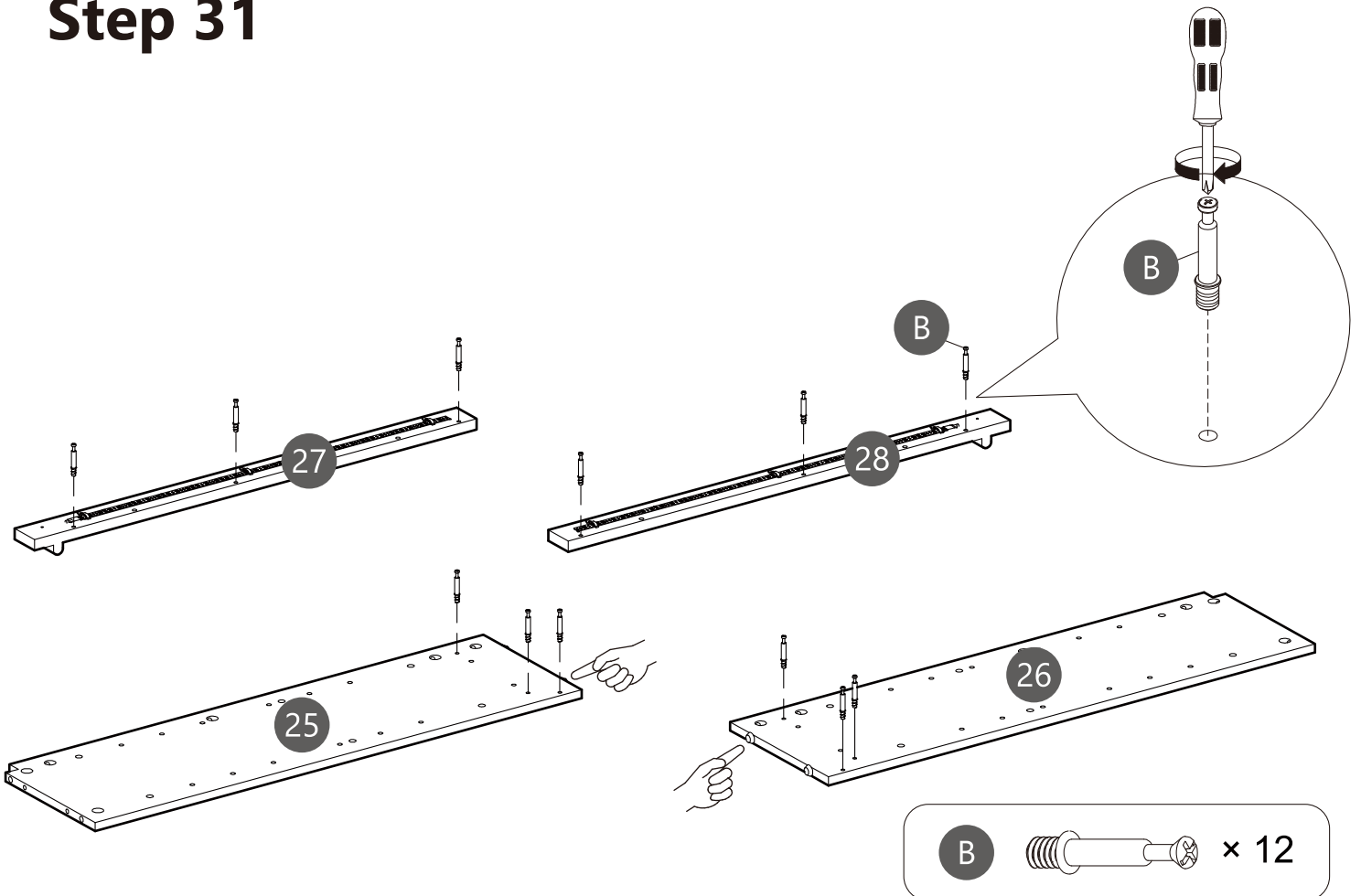


Step 30

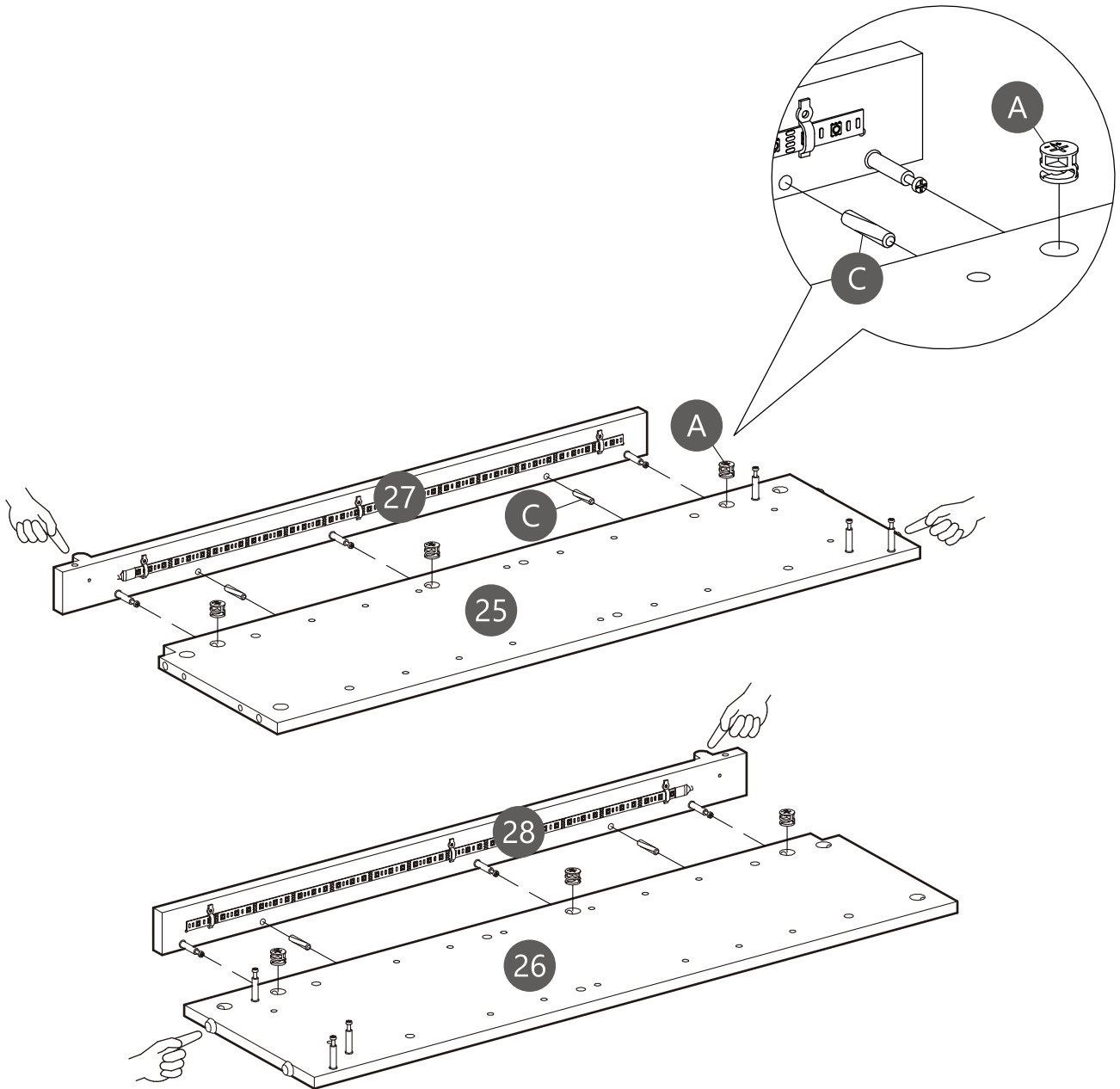
When pasting, please align the corners of the light strip with the center of the two guide holes to ensure that the light strip is straight, as shown in the figure.





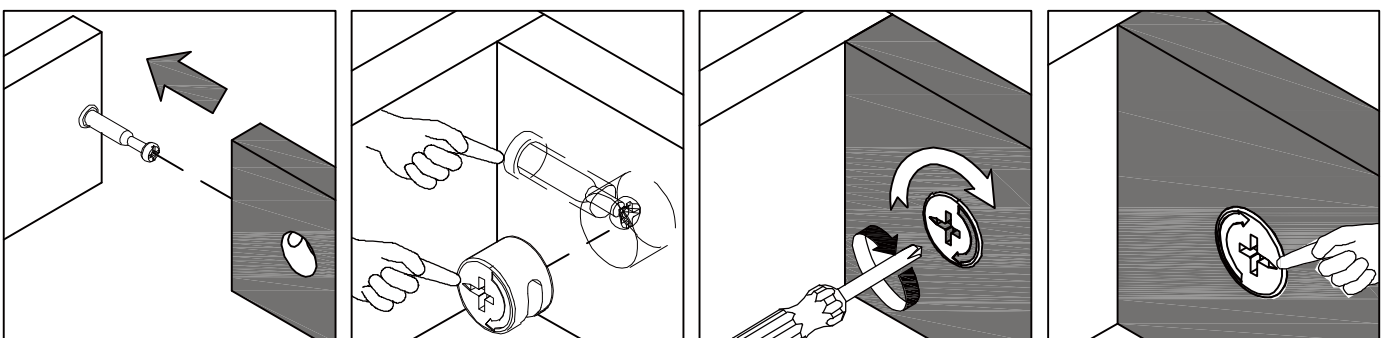
Step 31



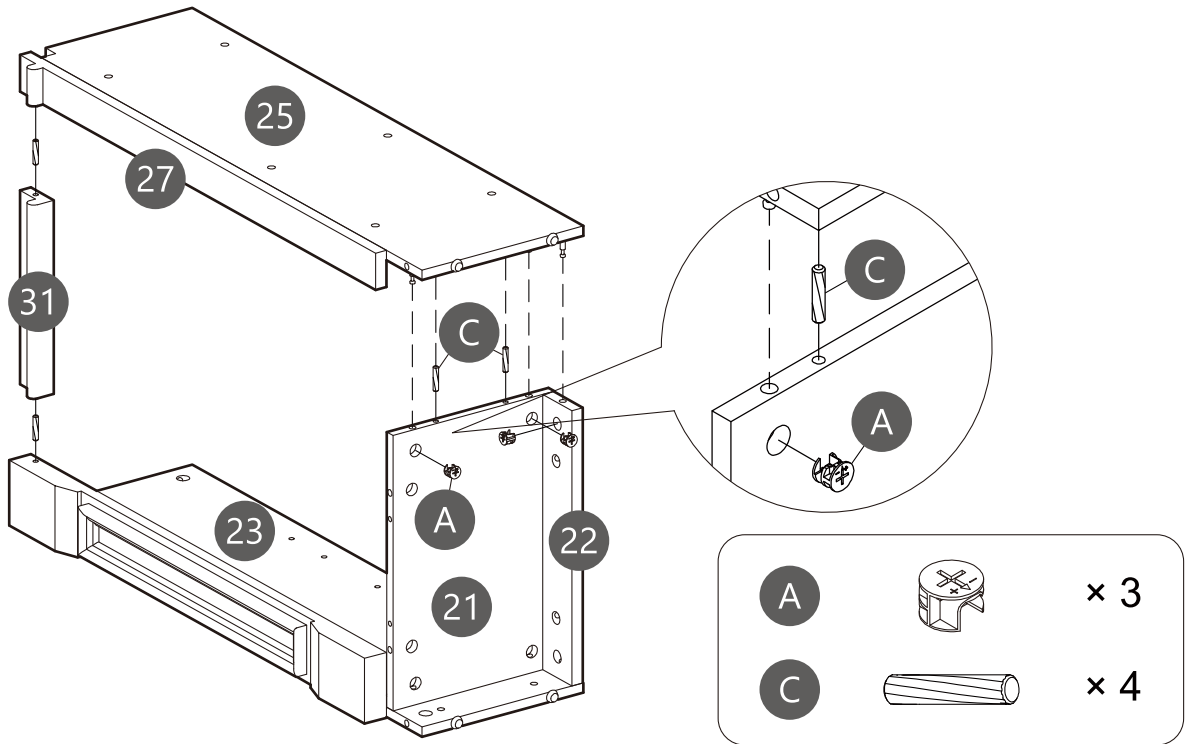
Step 32



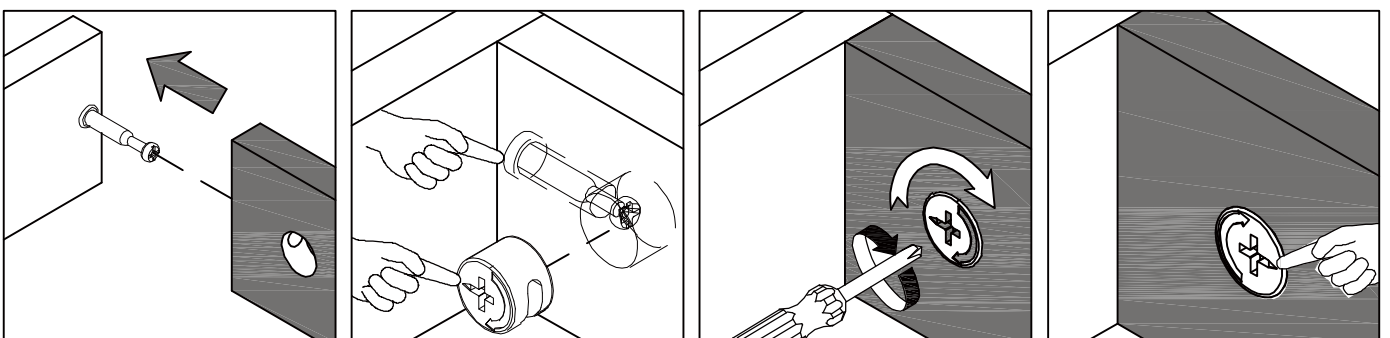
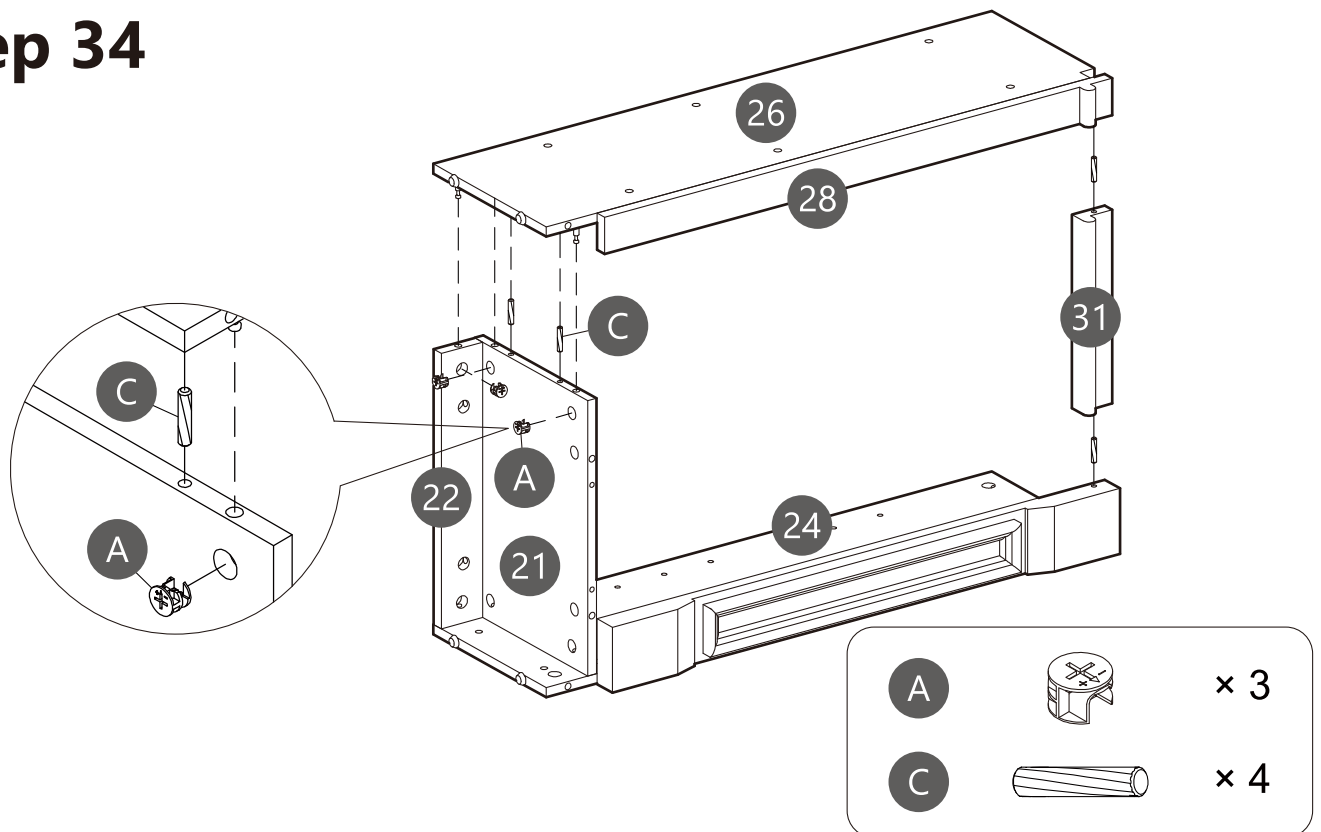
A		× 6
C		× 4



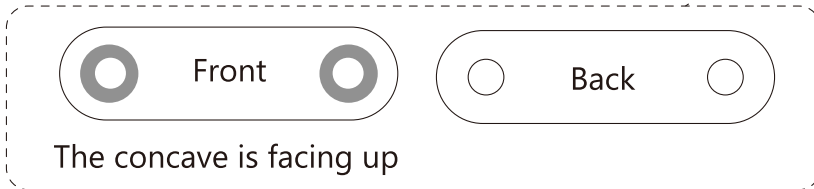
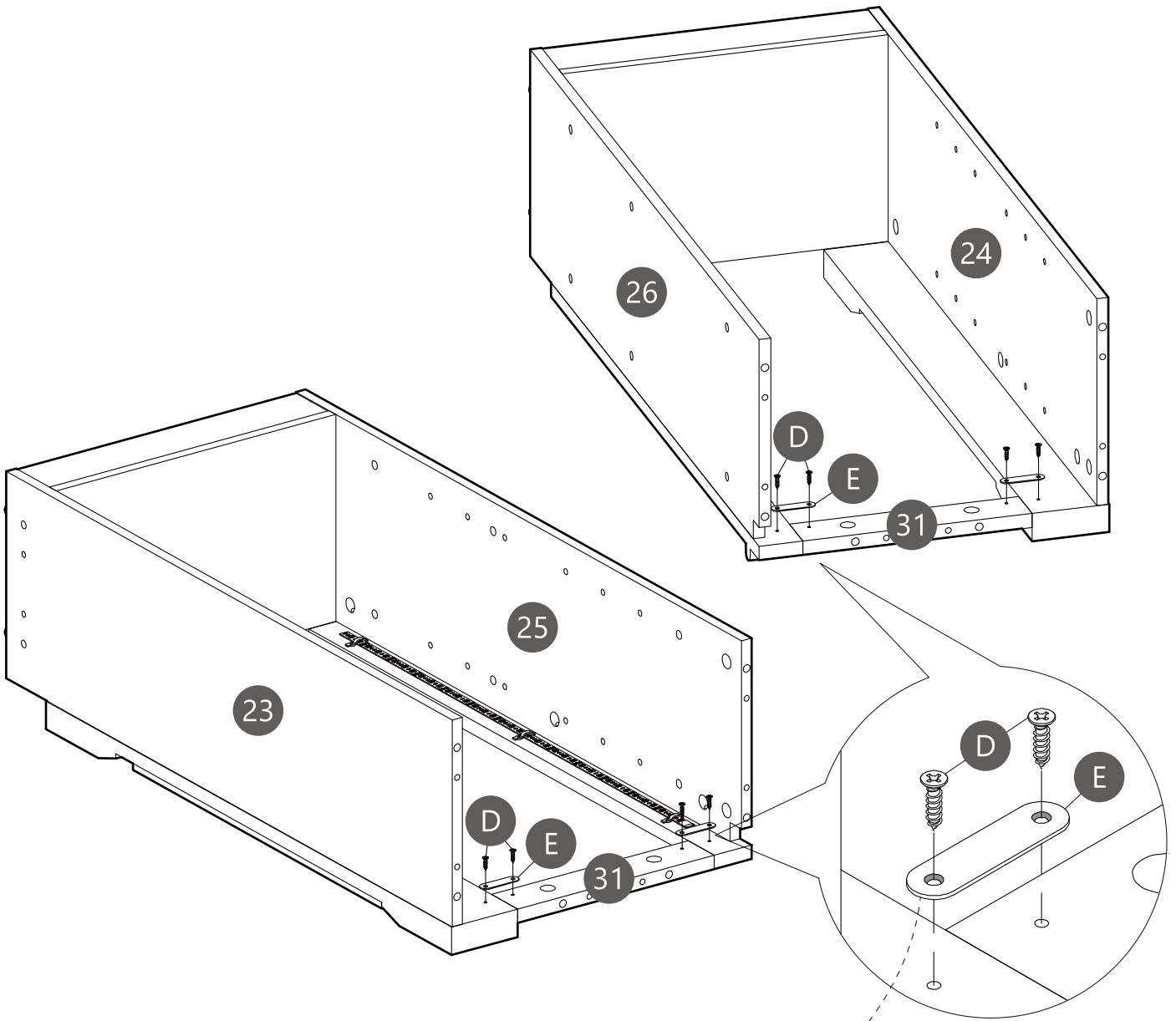
Step 33





Step 34

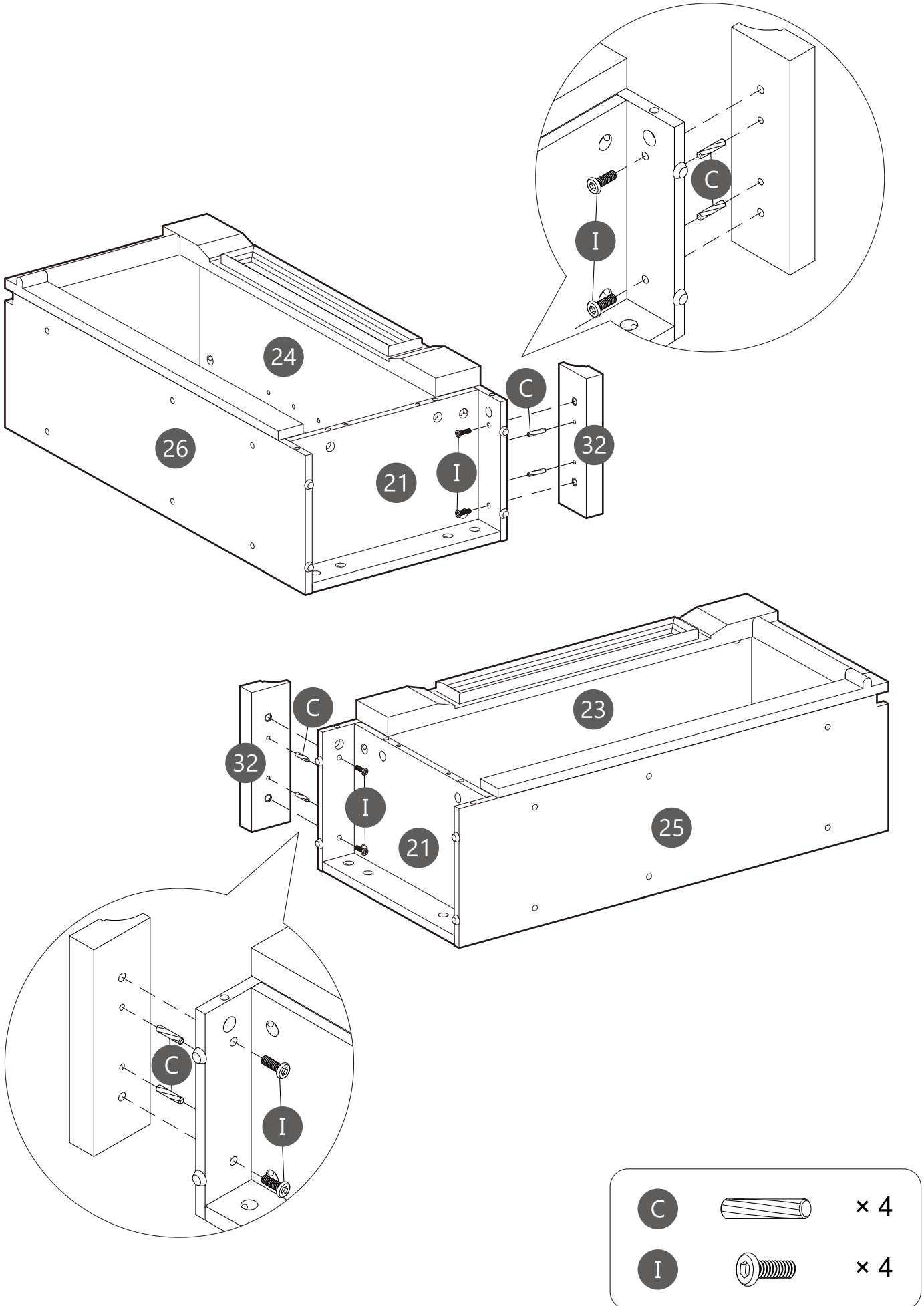


Step 35

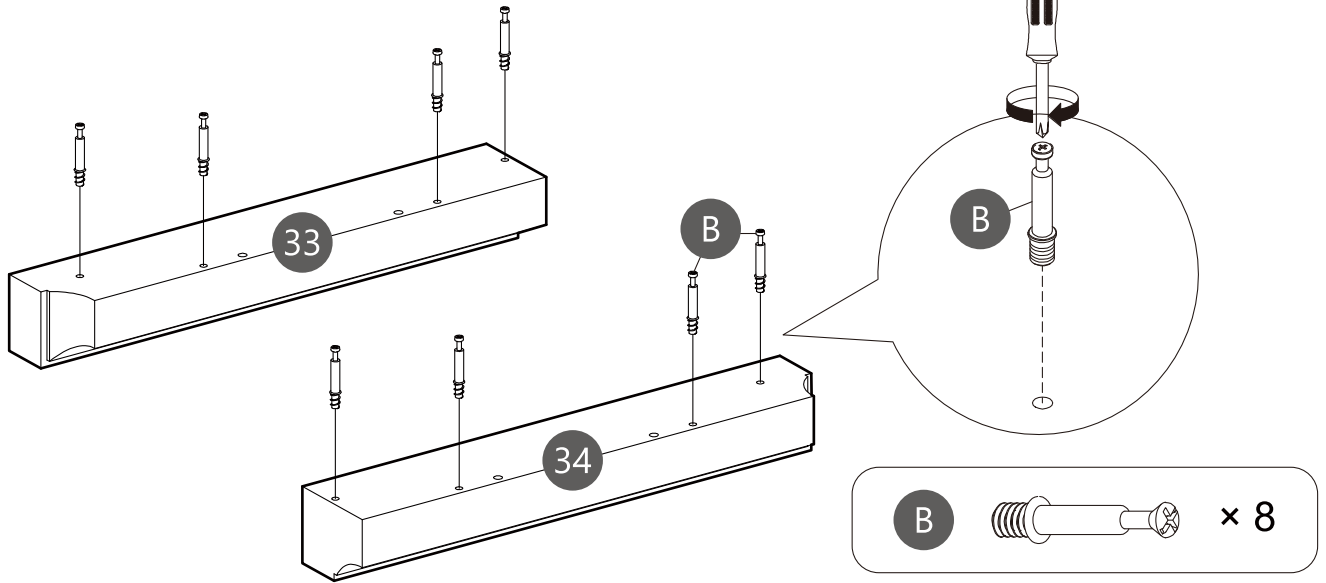


D		× 8
E		× 4

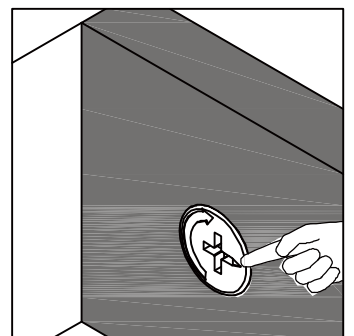
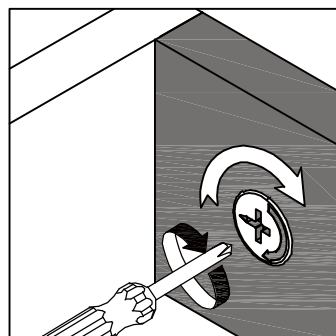
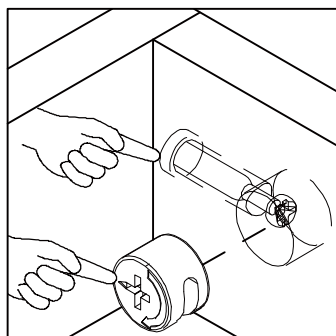
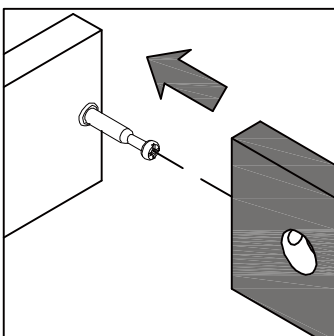
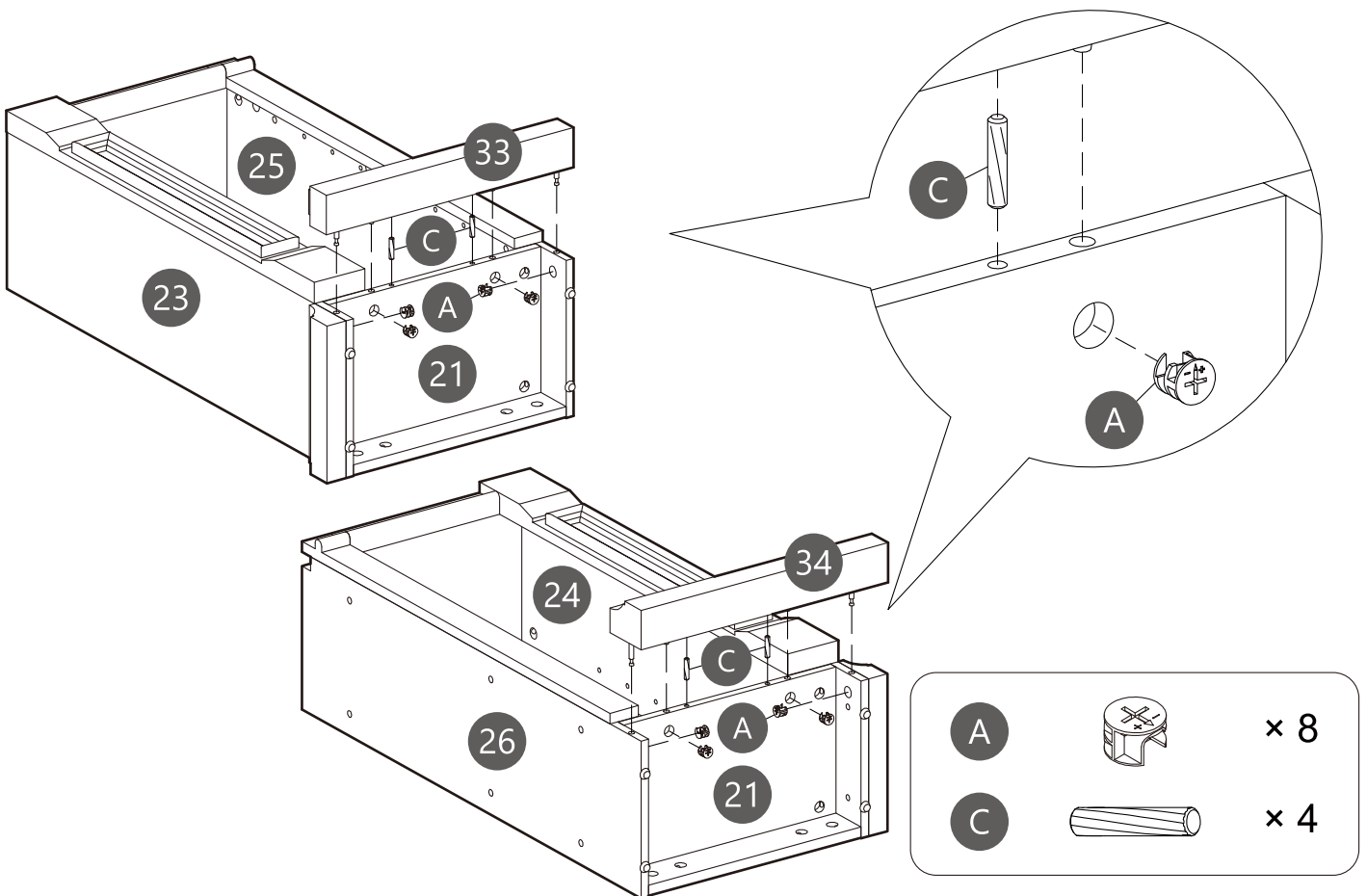
Step 36



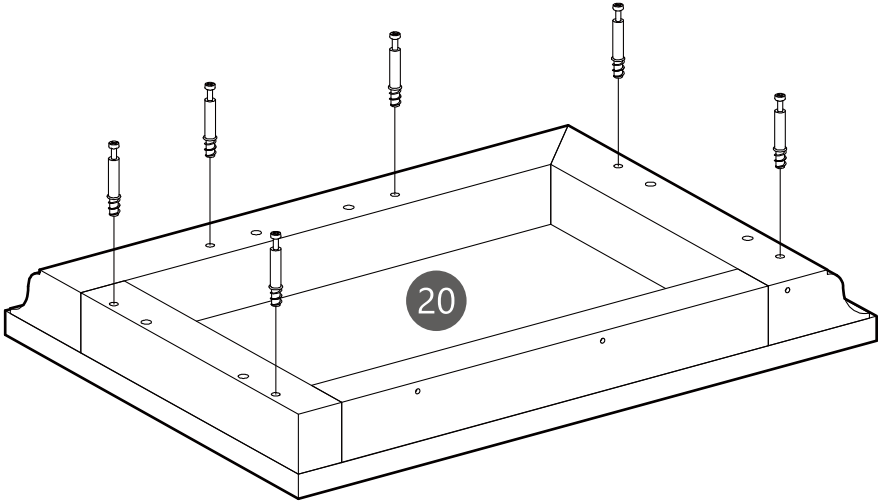
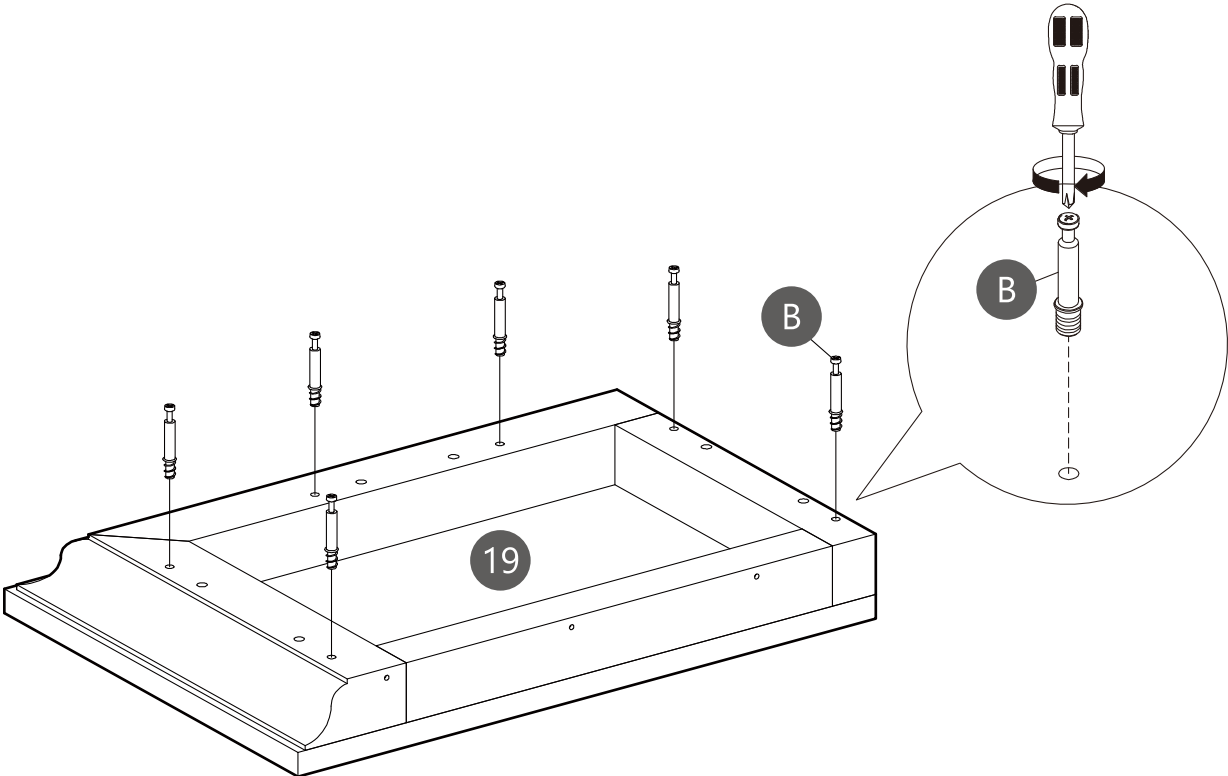
Step 37




Step 38

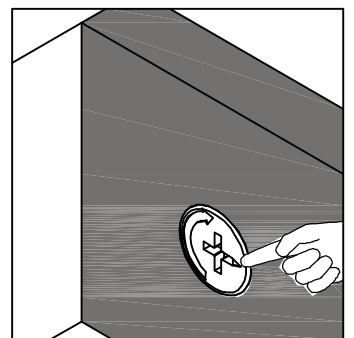
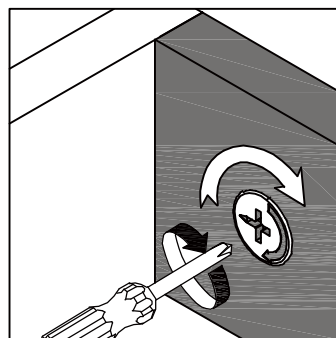
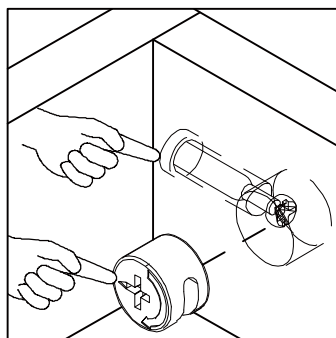
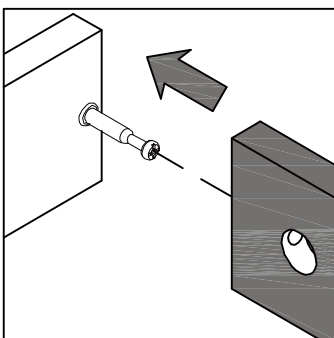
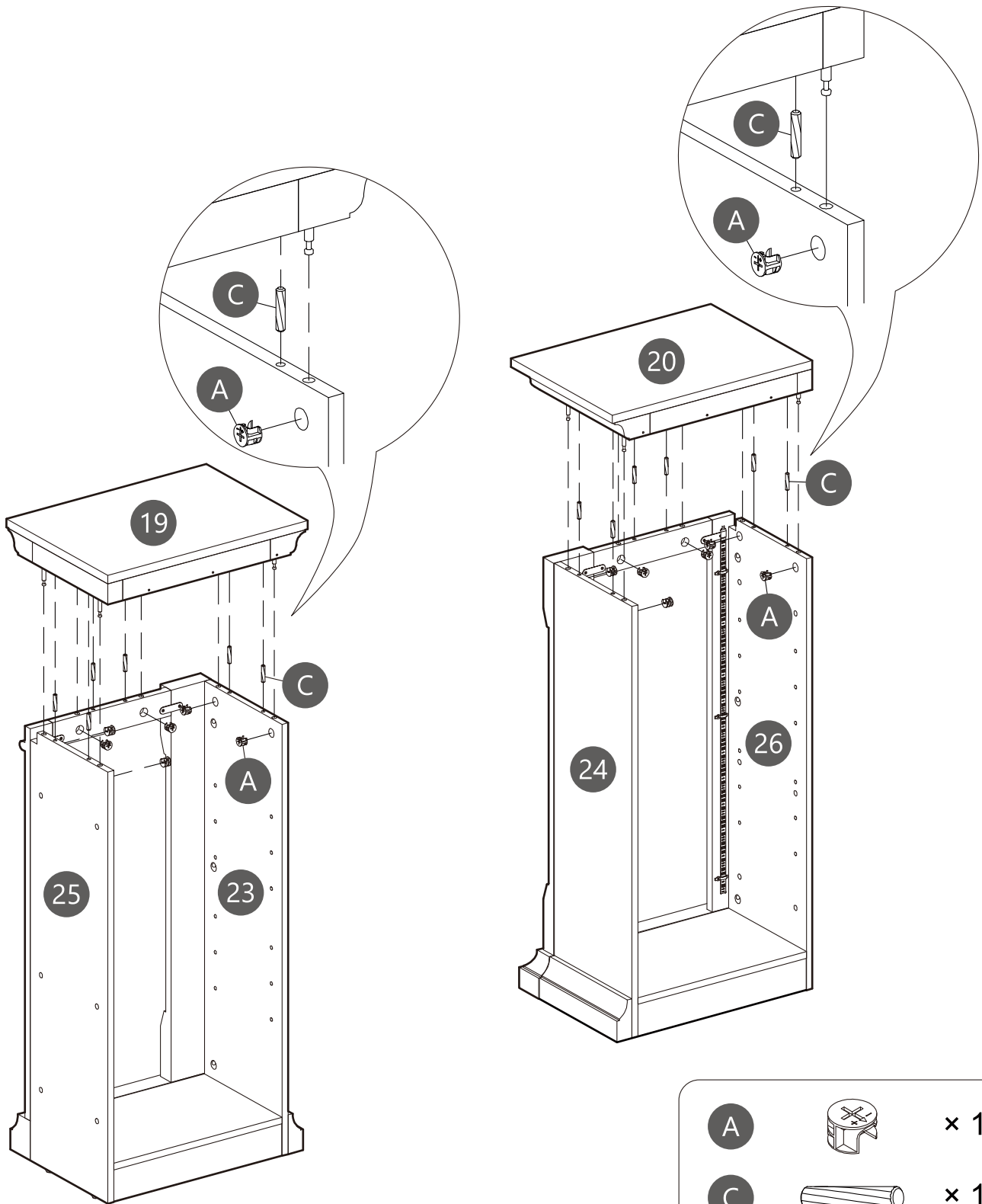


Step 39



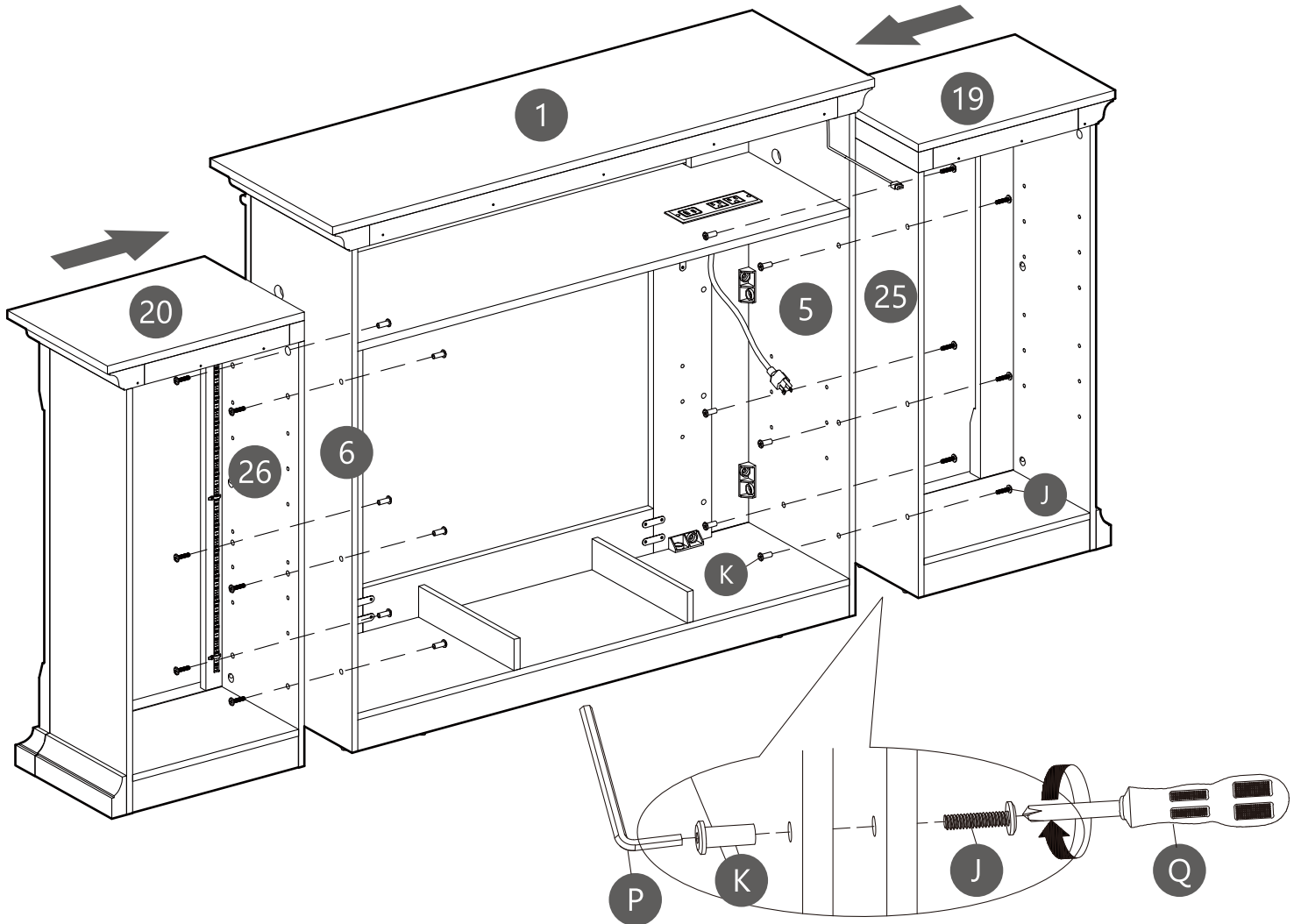
B  × 12

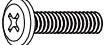

Step 40



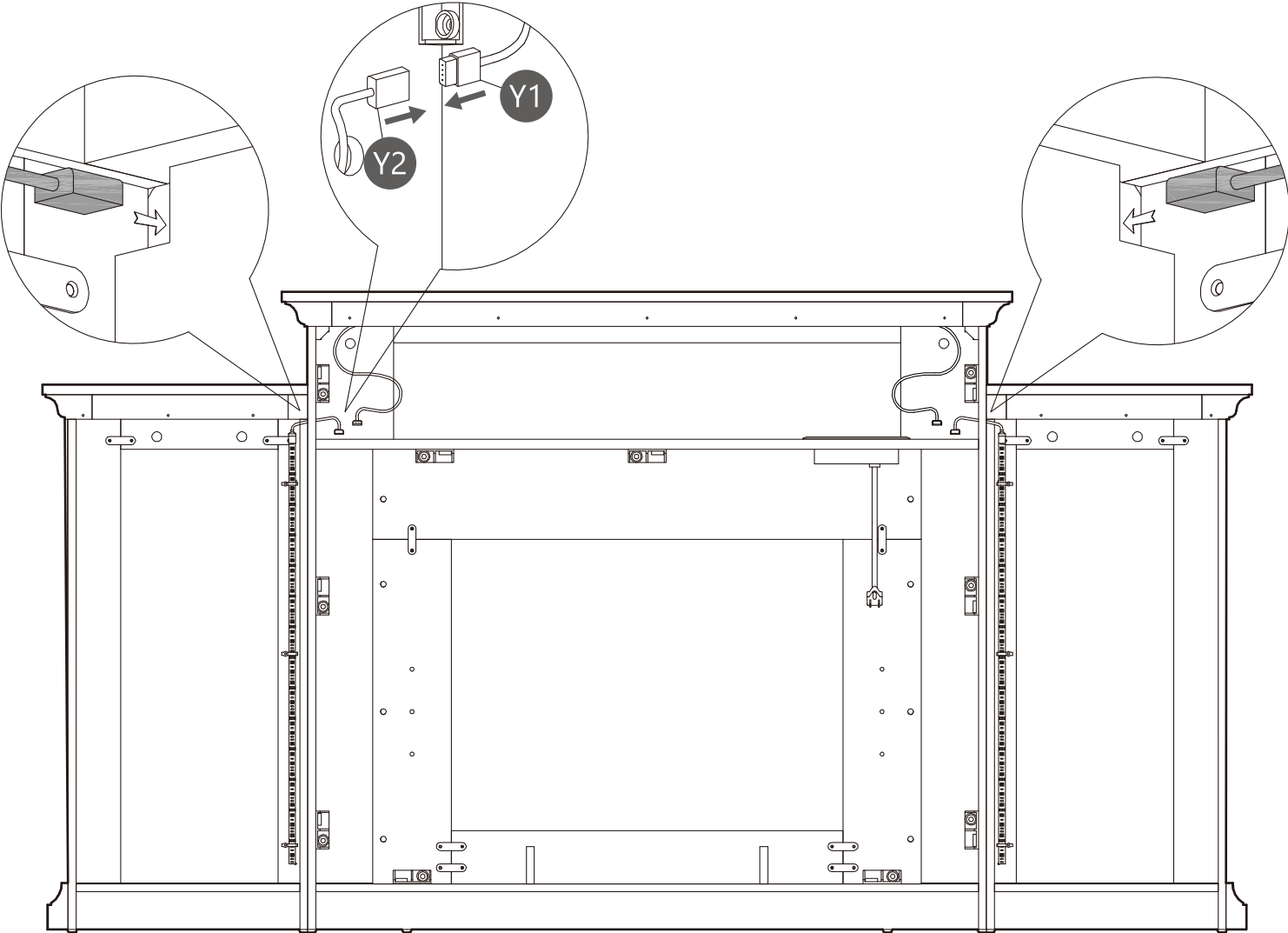
Step 41

Using the hex key(P) to fixed screw(K), and then use the screwdriver(Q) to tighten screw J.

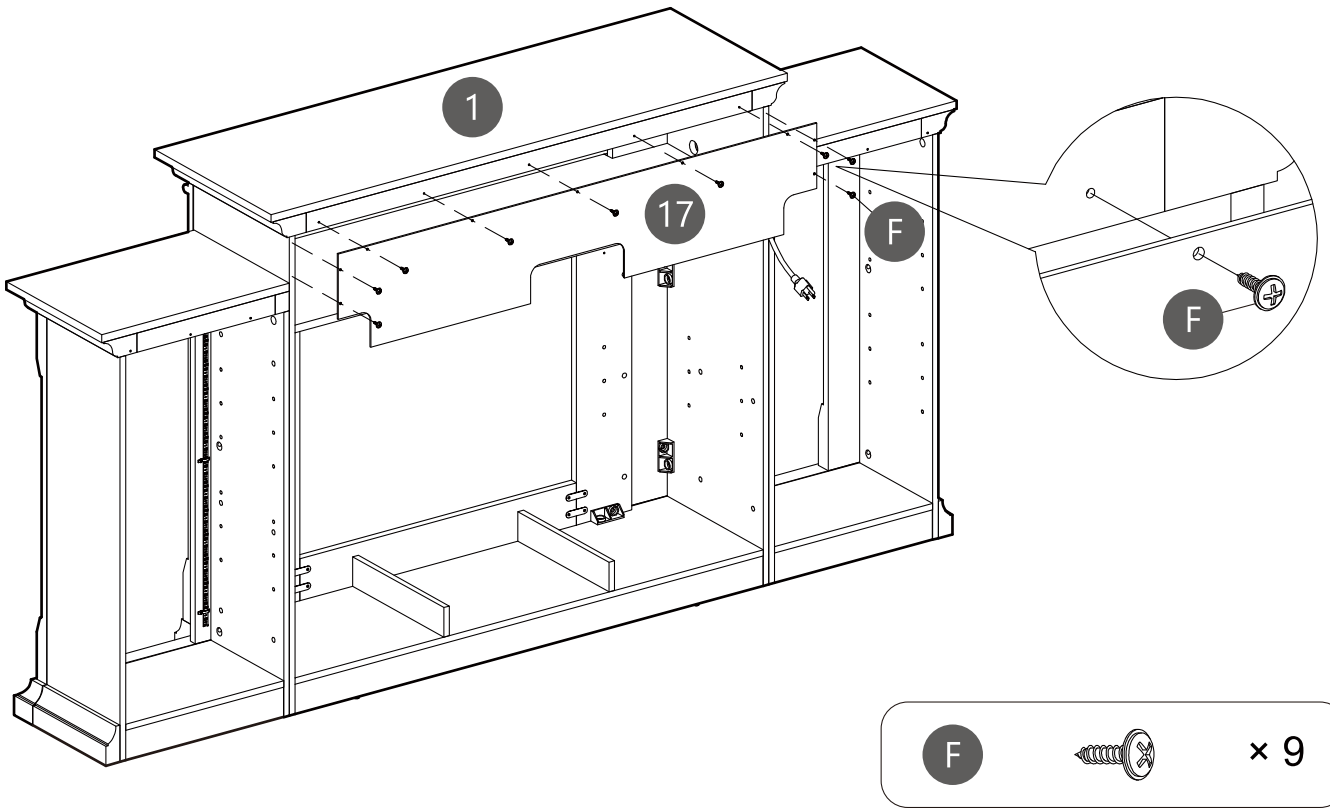


J		× 12
K		× 12

Step 42

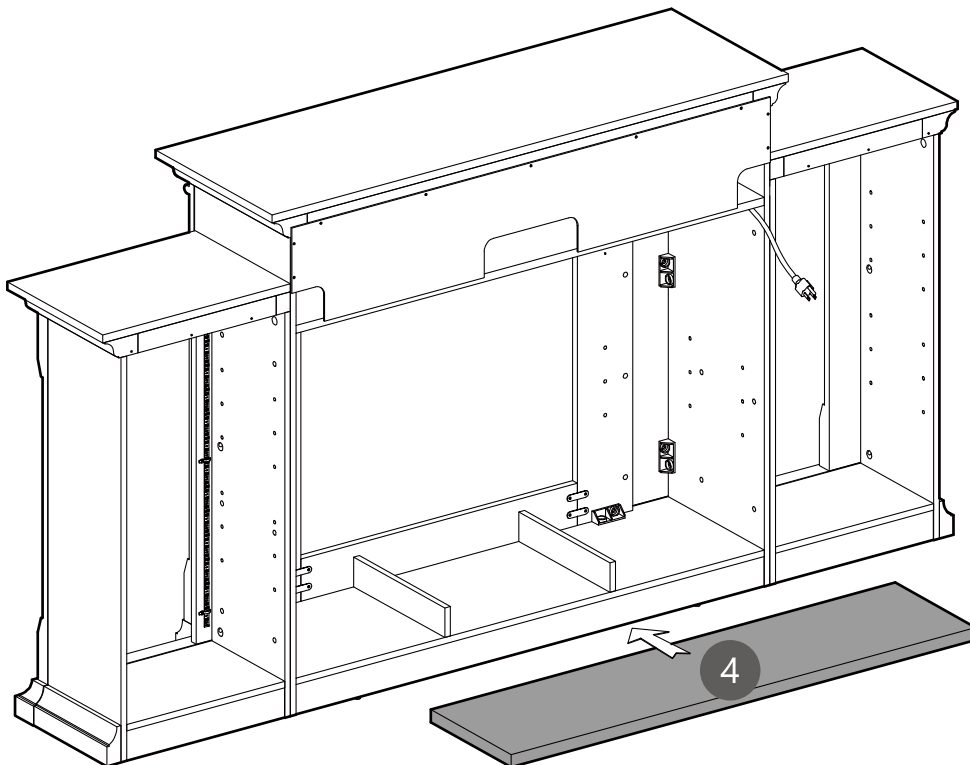


Step 43



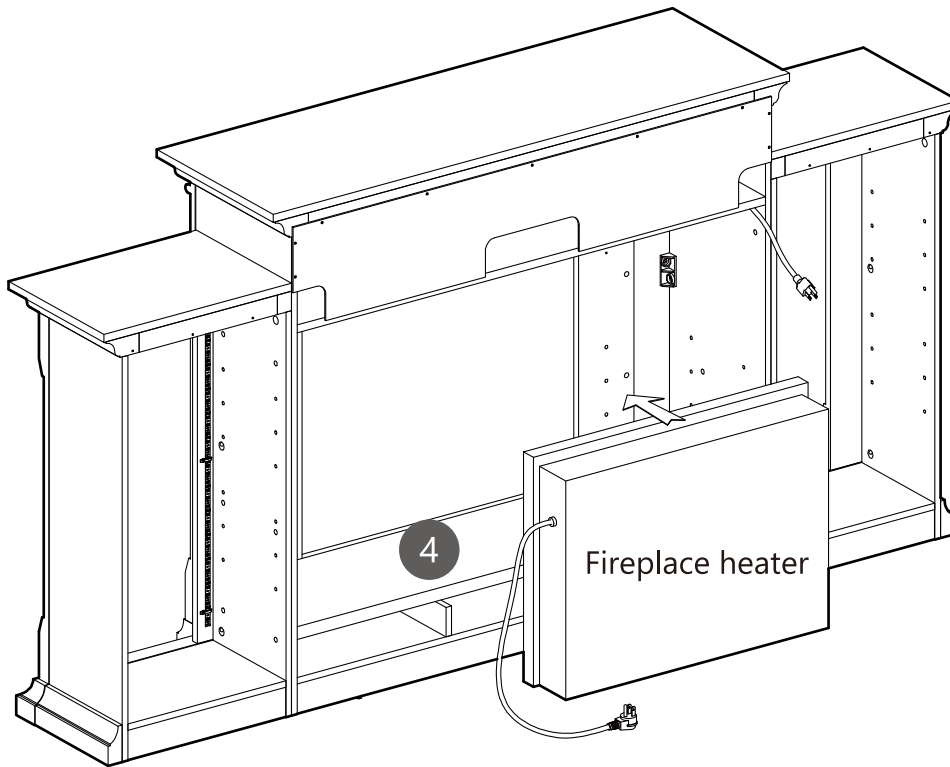
Step 44

Multifunctional Mantel 1 - Electric Fireplace Mantel.



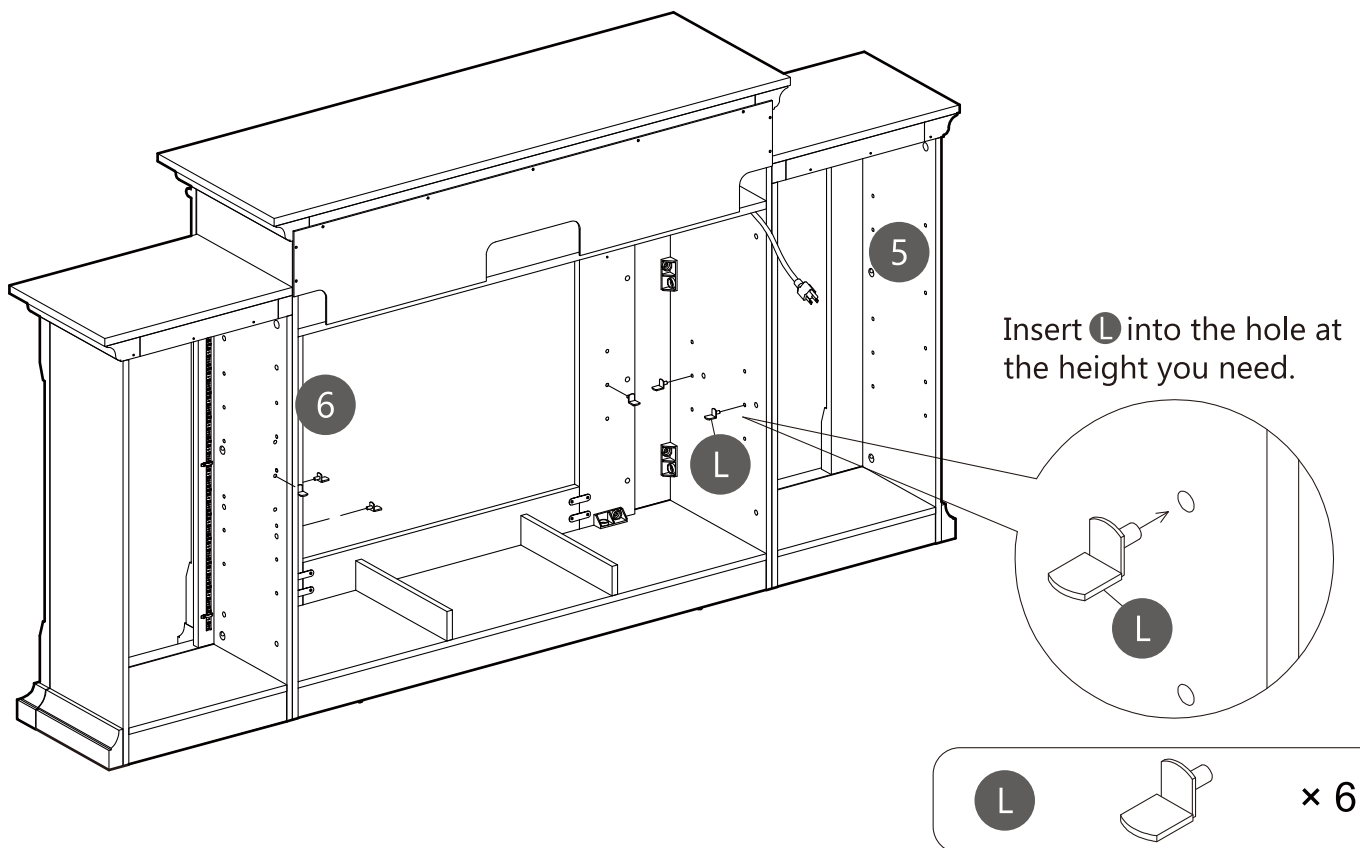
Step 45

For details on how to fix the heater, please refer to the Fireplace Heater Installation Manual!!!



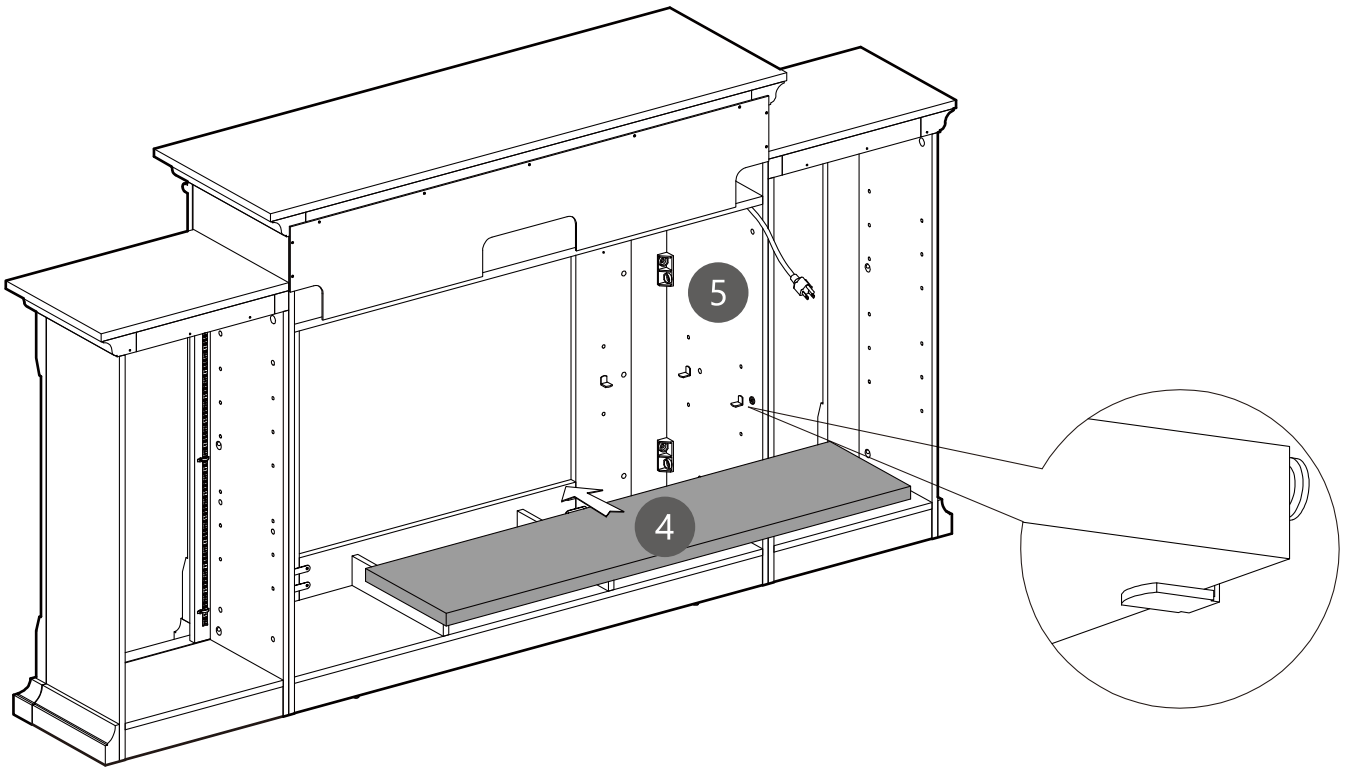
or Step 46

Multifunctional Mantel 2 - Storage Mantel/ TV Stand.

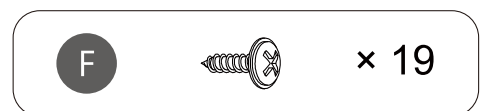
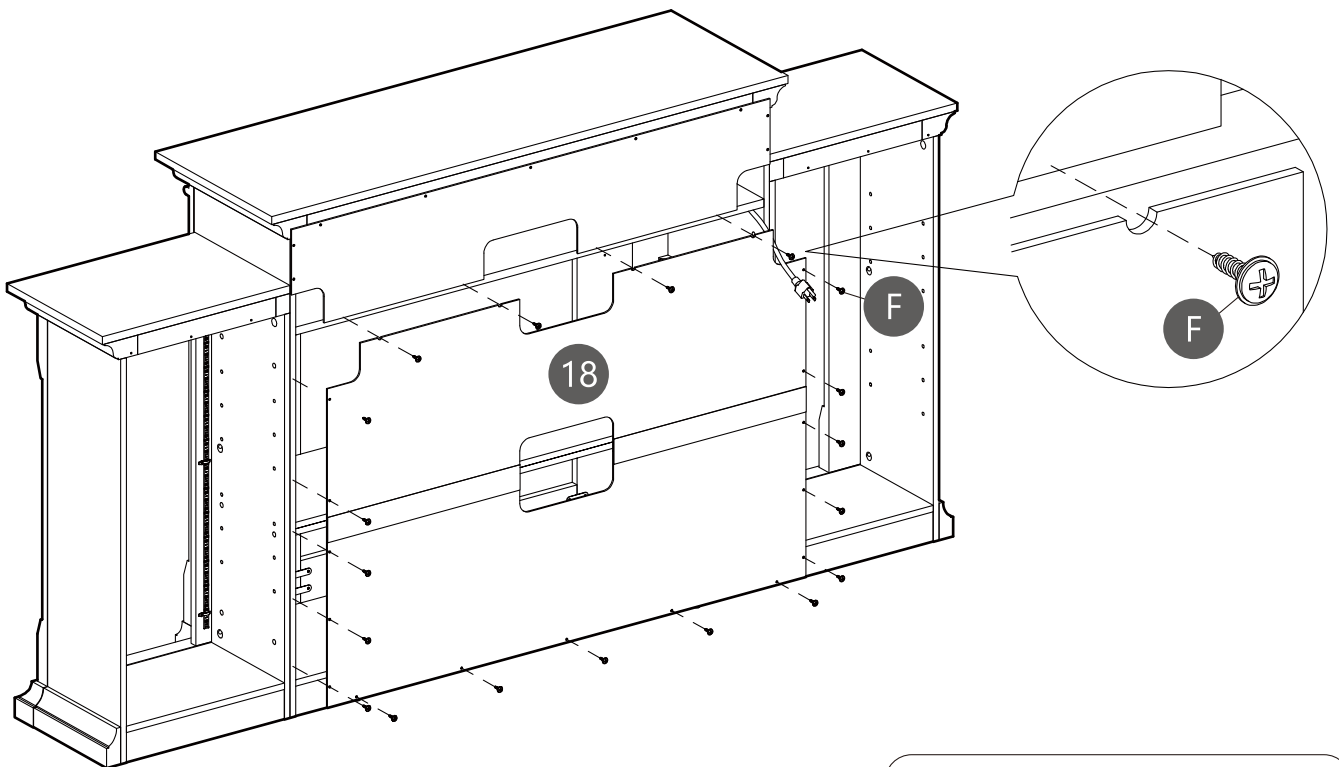


Step 47

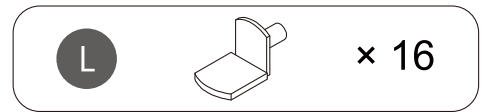
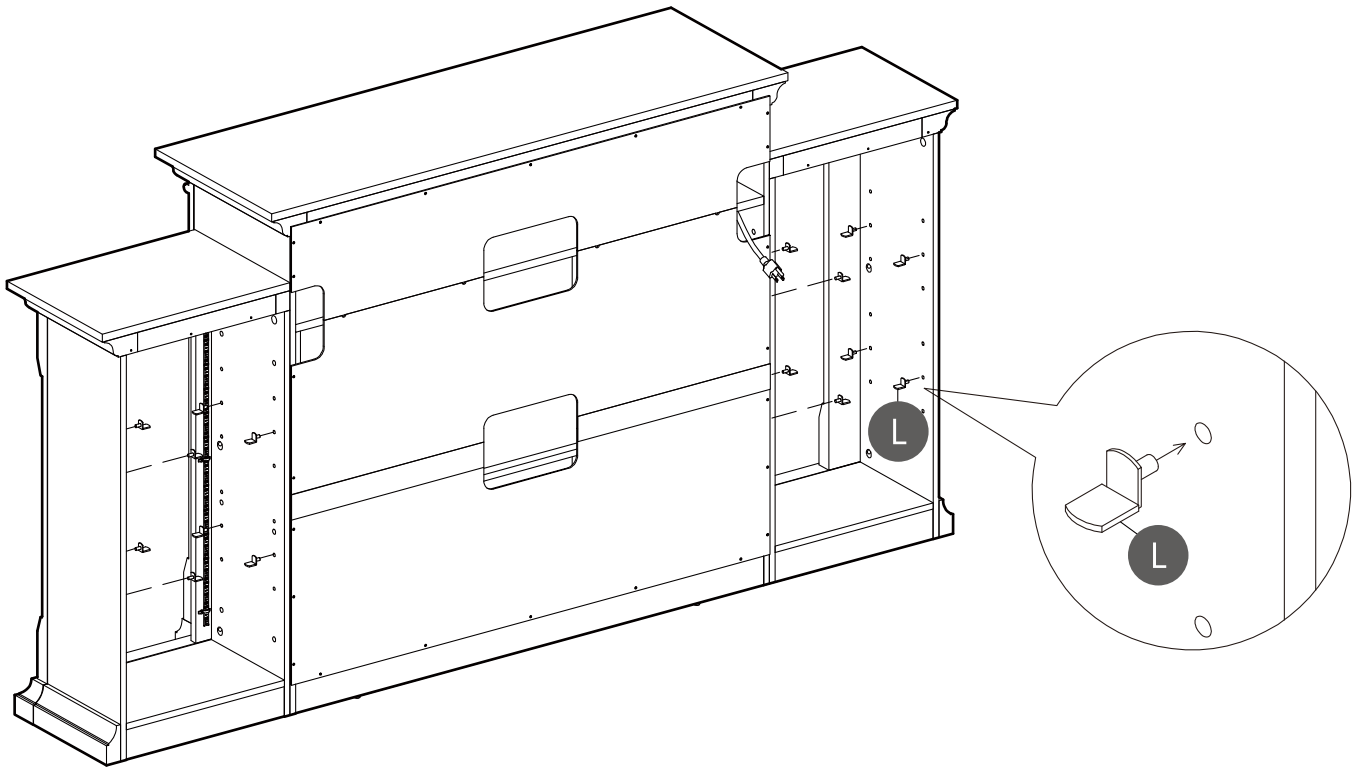
Please put (4) on (L)



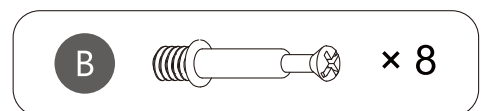
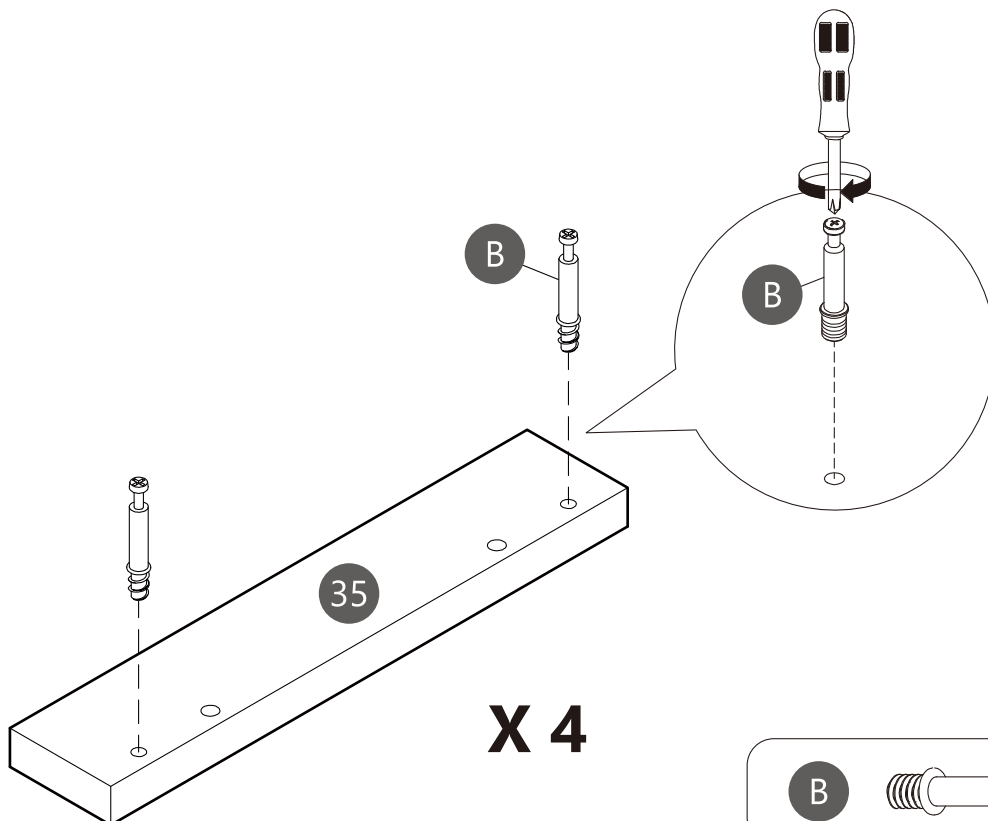
Step 48



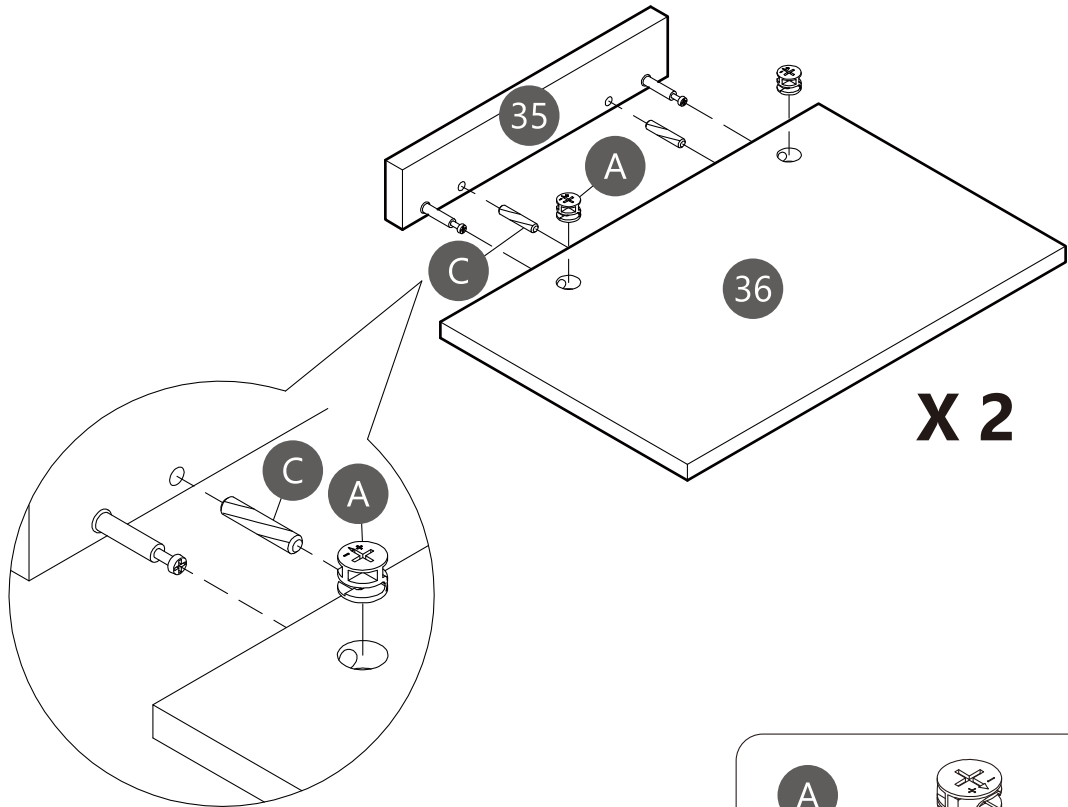
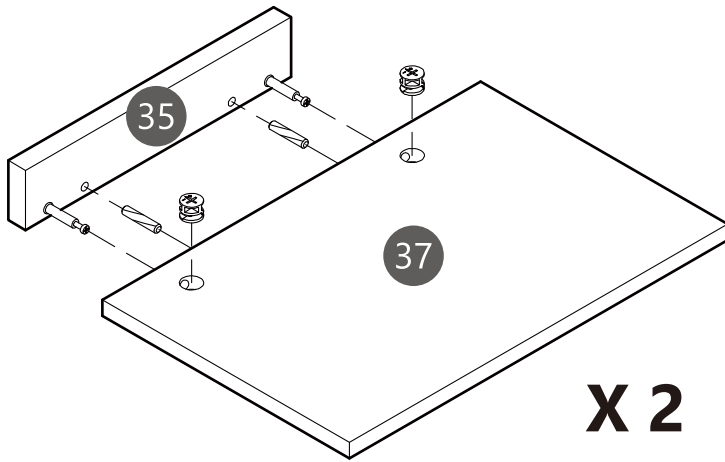
Step 49





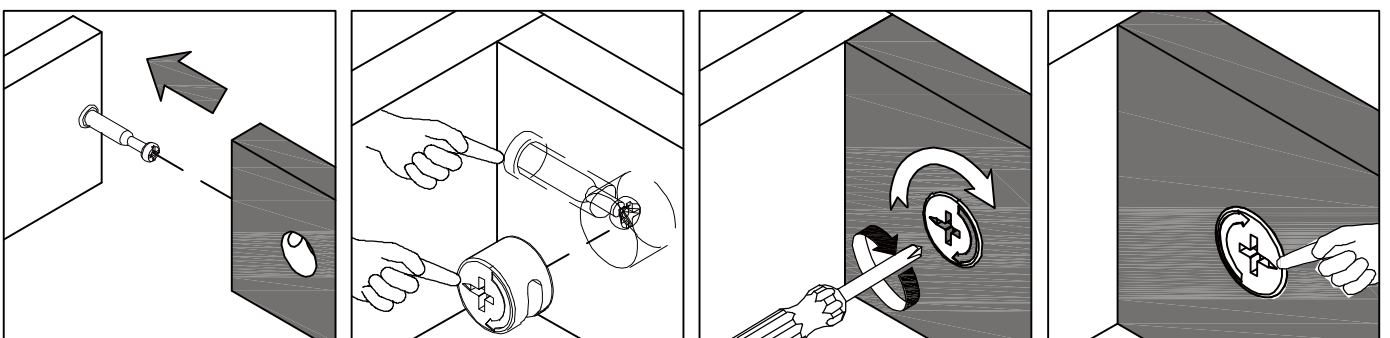
Step 50



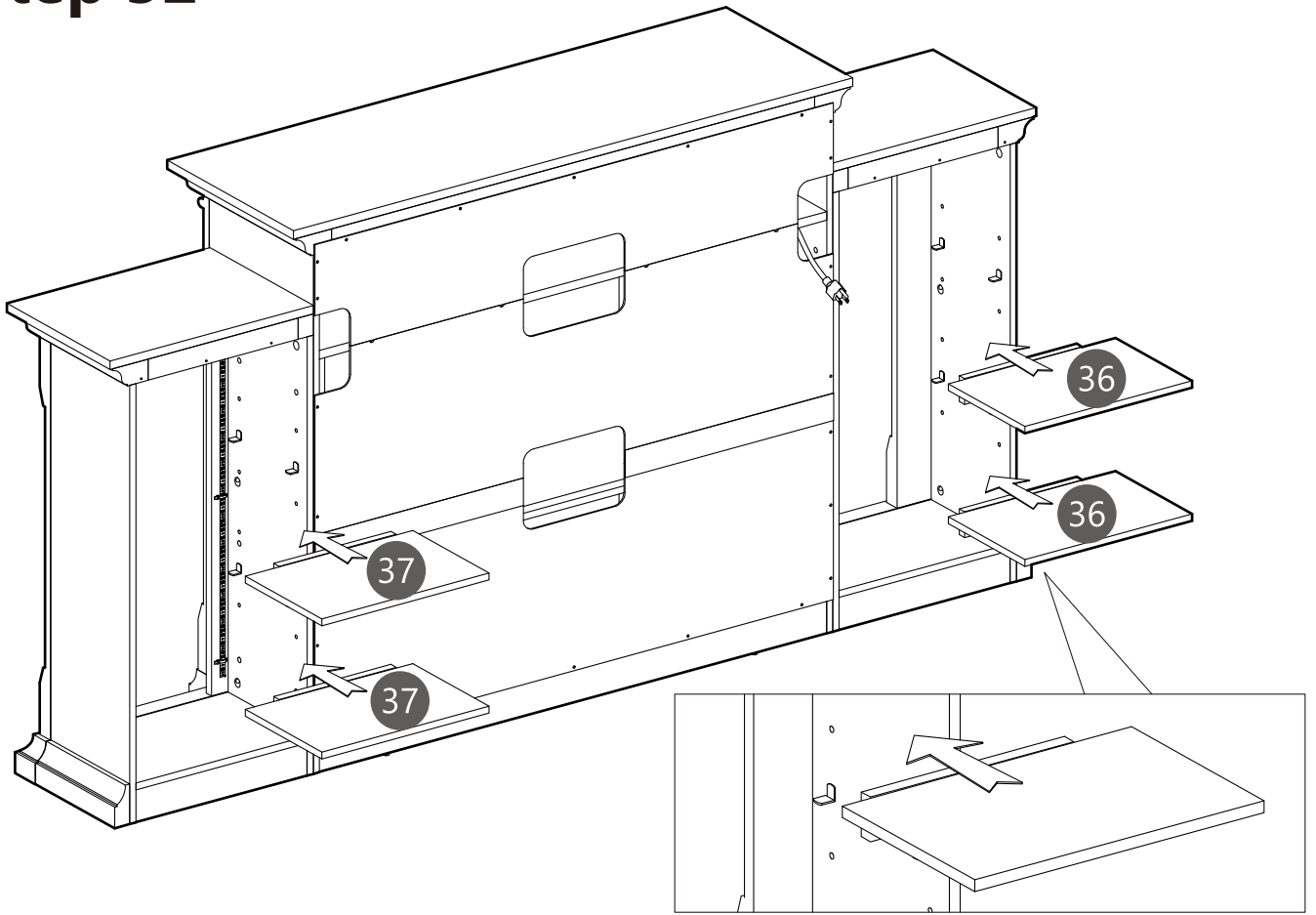
Step 51



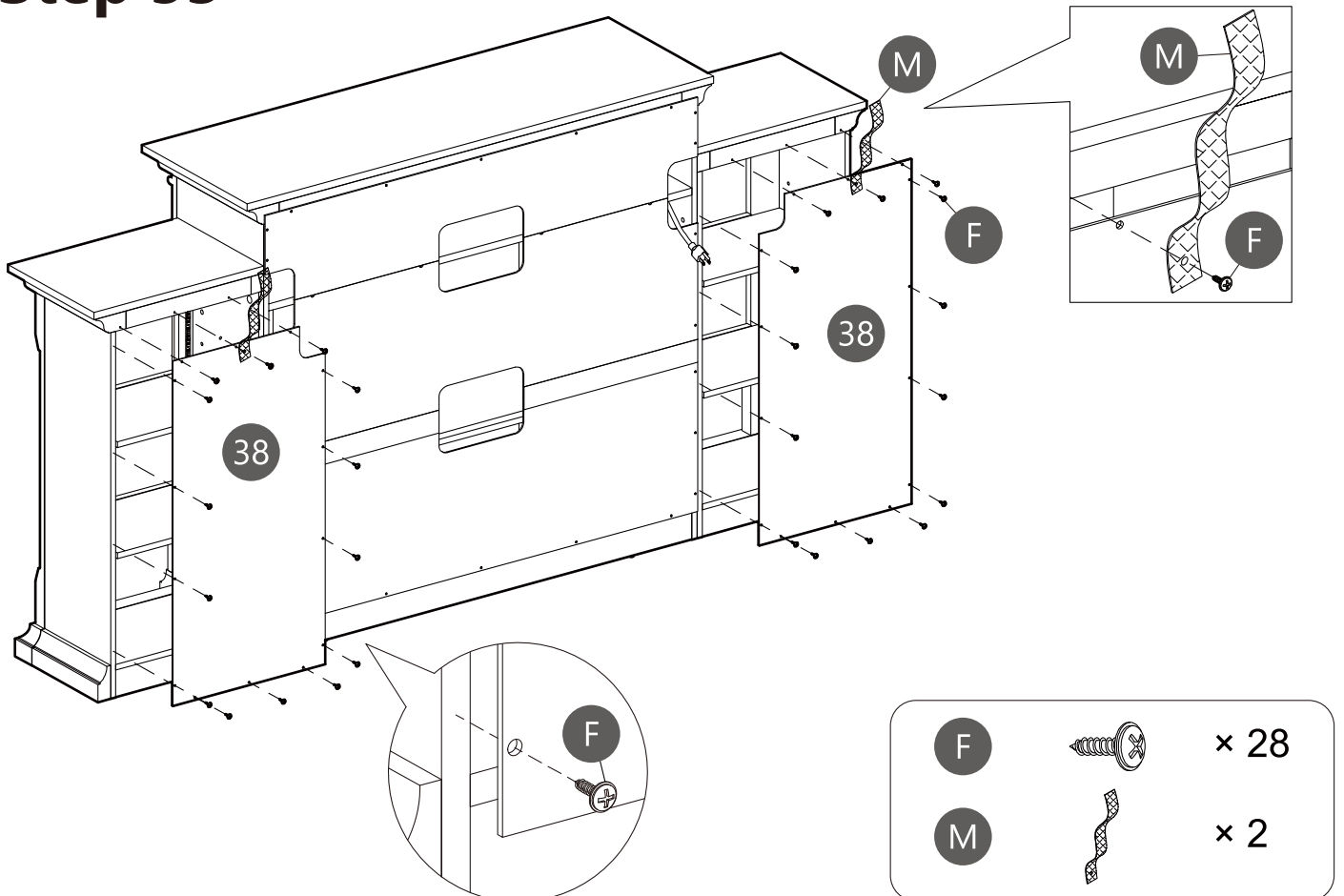
A		× 8
C		× 8



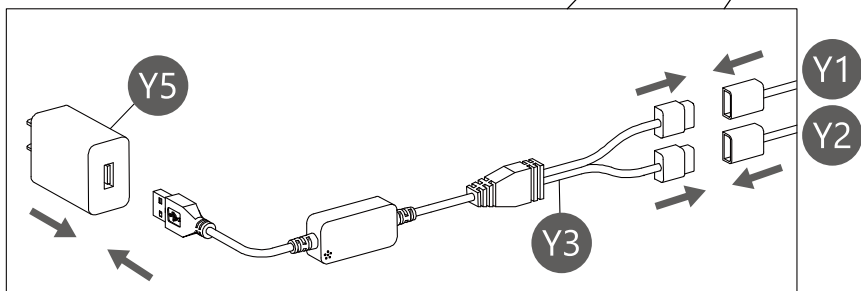
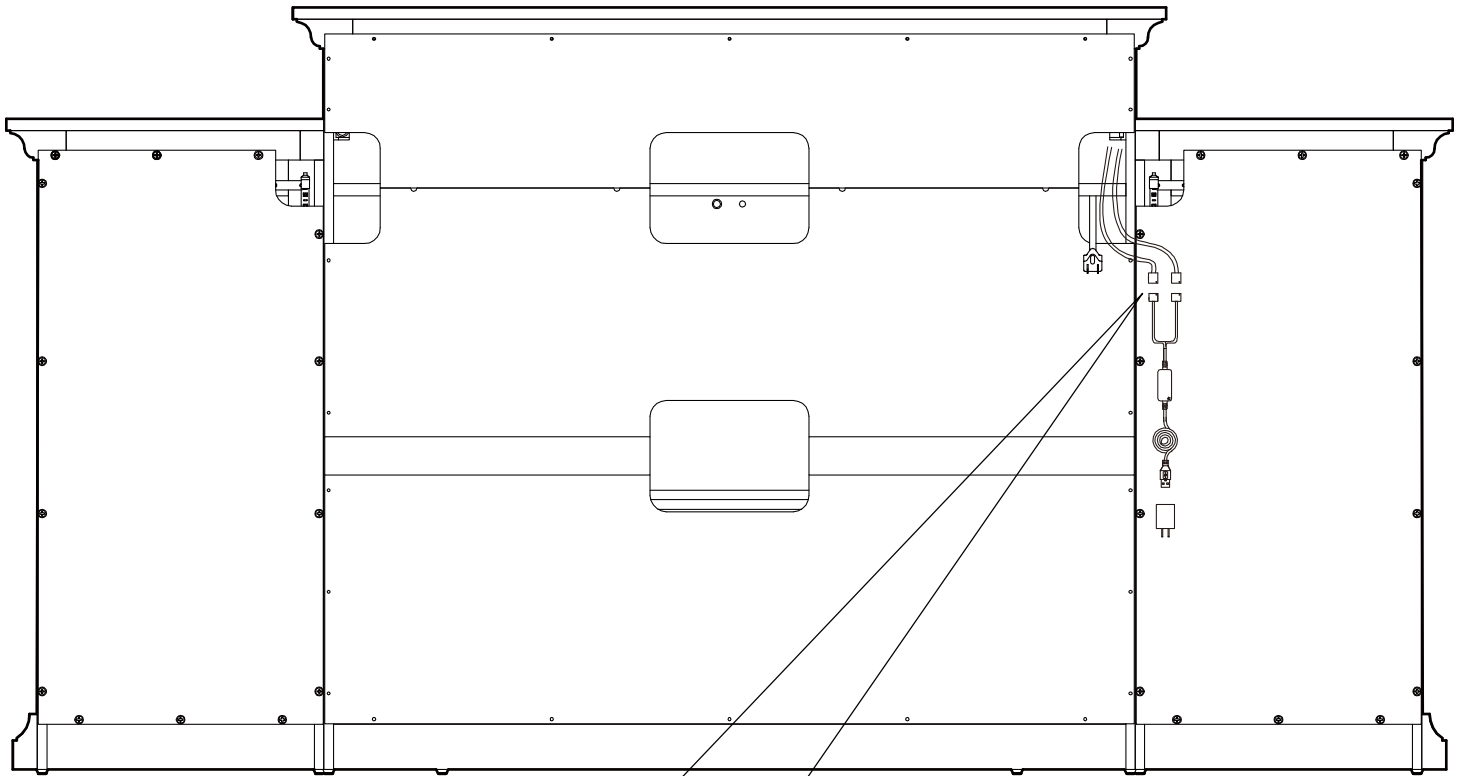
Step 52



Step 53



Step 54



Y3		× 1
Y5		× 1

Step 56

WALL

