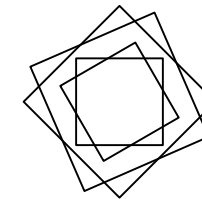
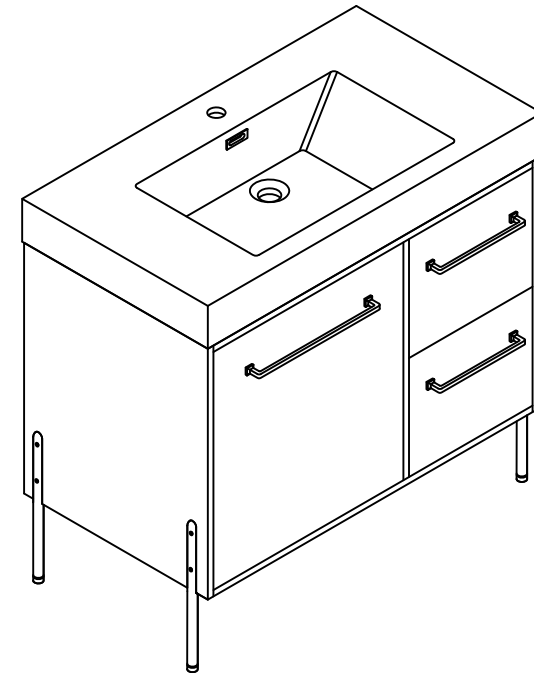


## THANKS FOR WATCHING

Your feedback is invaluable to us and we would love to hear about your experience. Please take the time to leave us a review.


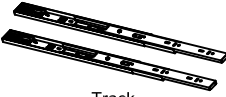
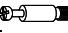







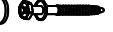



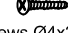

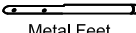
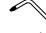

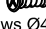


## Thank you for shopping with us!

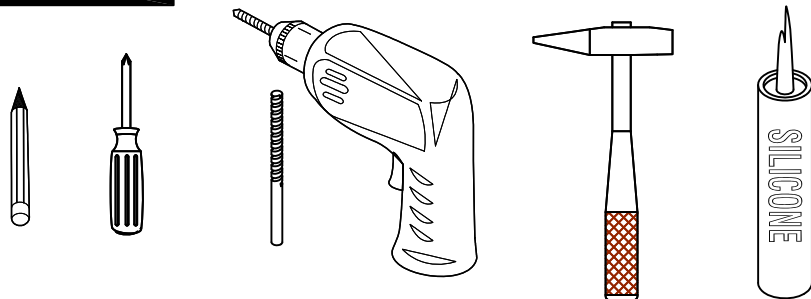
We encourage you to take a few minutes to go through this booklet. It contains important information on installation and care tips to keep your furniture looking as good as new.

# Item NO.:BV B11036

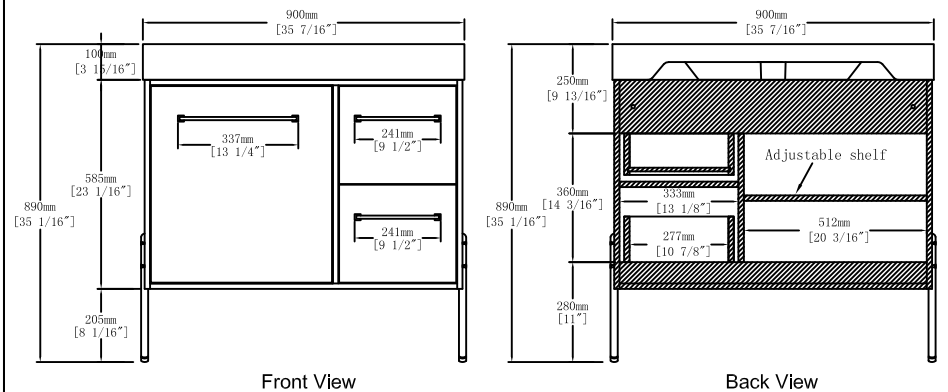
## Hardware

NO.	Draw	QTY	NO.	Draw	QTY
A	 Screws Ø4x14mm	54	L	 Track	2
B	 Two-in-one connector	50	M	 Handle(L = 241mm)	2
C	 Two-in-one connector	50	N	 Screws M4x18mm	6
D	 Wood plug	4	O	 Hinges(Internal hiding )	3
E	 Plastic anchor(Ø10mm)	2	P	 Door stopper	1
F	 Screws for fix on the wall	2	Q	 Handle(L = 337mm)	1
G	 Bracket (53x70x44mm)	2	R	 Movable laminate support	4
H	 Screws Ø4x25mm	1	S	 Anti-collision gasket	6
I	 Metal Feet	4	T	 Screwdriver	1
J	 Screws M4x16mm	8			
K	 Screws Ø4x20mm	6			

## Recommended tools



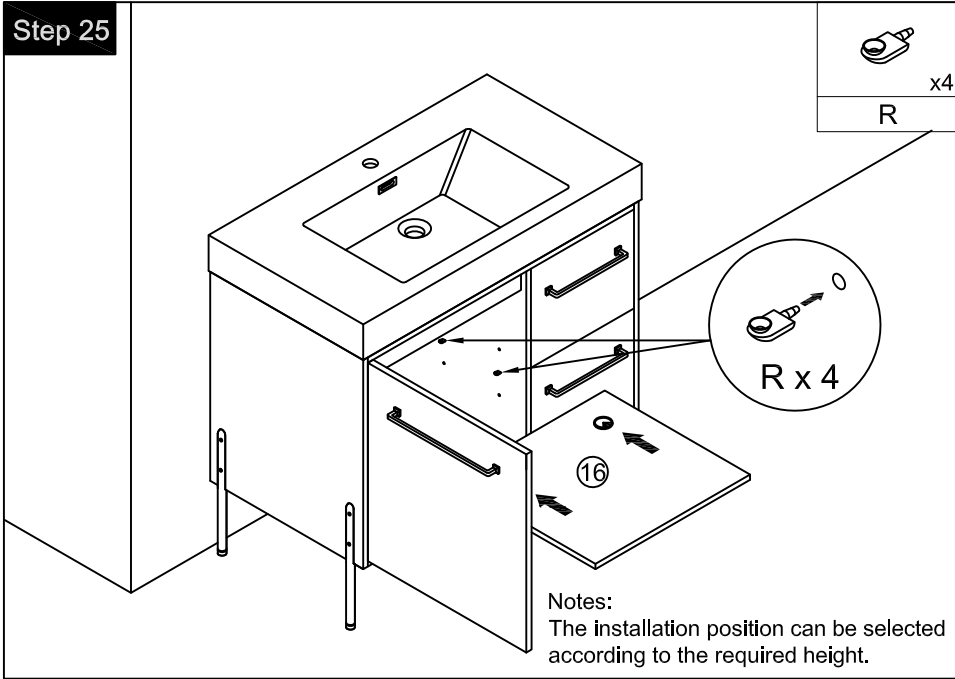
## Dimensions



## CARE CLEANING AND MAINTENANCE

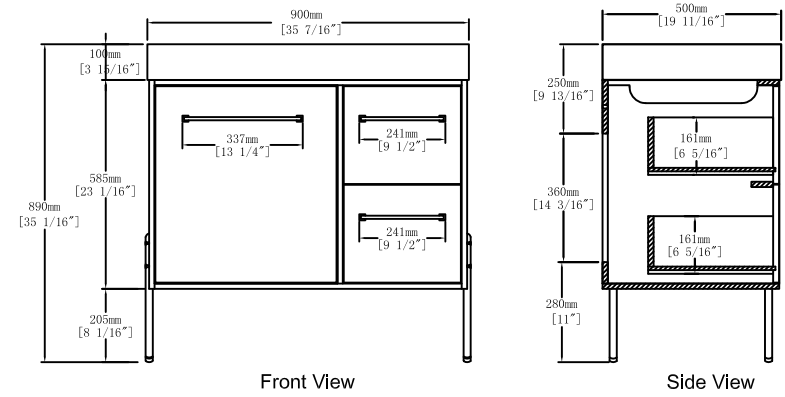
1. Dust regularly with a soft , dry cloth.
2. Avoid the use of all chemicals household cleaners, abrasives, or cleaners that contain lemon, vinegar, or other acids that may damage the finish.
3. Excessive exposure to sunlight and extreme changes in temperature and moisture can damage wood furniture.
4. The sink is fragile, please pay attention to maintaining its appearance.
5. Do not place hot appliances, such as curling irons and hot hair dryers directly on the countertop. Wipe spills immediately.

### Step 25

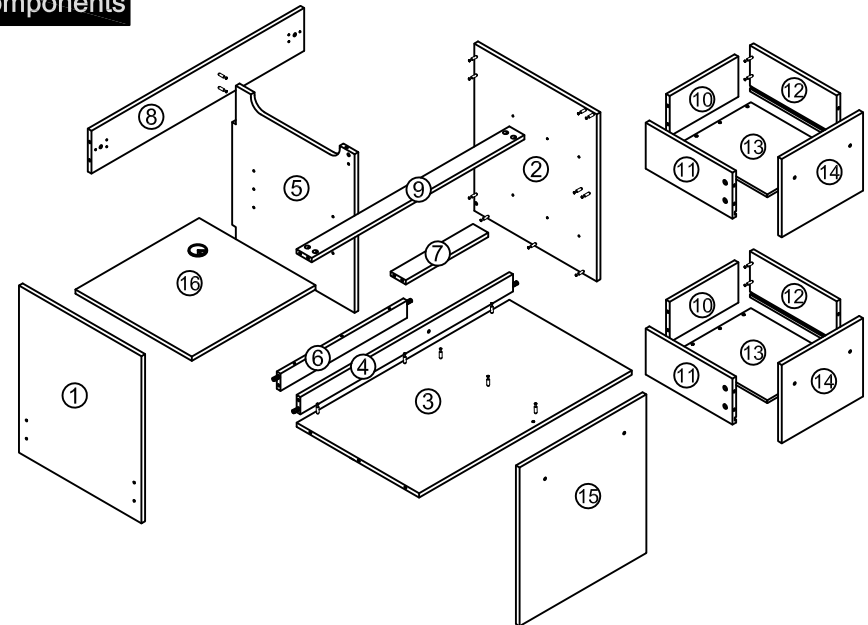


### Dimensions

No Sink



### Components



### Step 1

	x3
B	
	x3
C	
T	

Attention: Cam lock arrow point to the steel rod.

Notes: Screw installation depth as shown

### Step 2

	x3
B	
	x3
C	
(Ø4x25mm)	
	x1
H	
T	
Tool	

first step    second step    third step

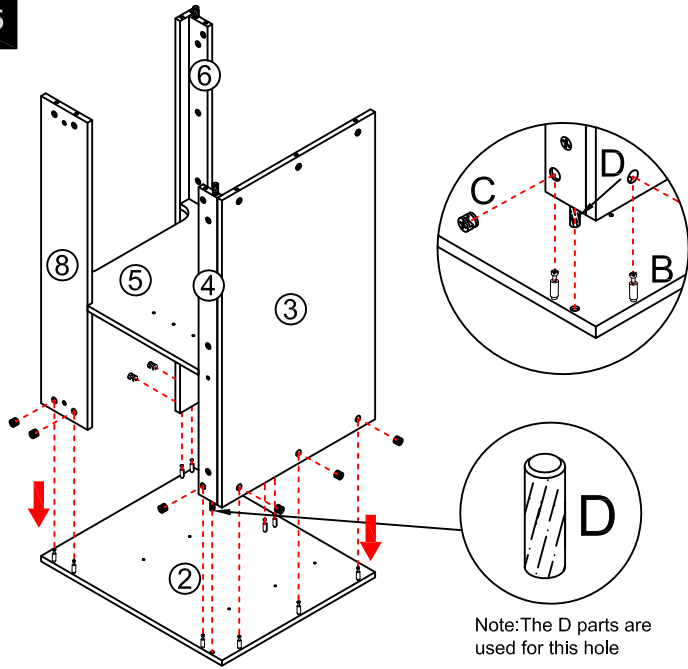
### Step 23

	x2
F	
Tool	

### Step 24



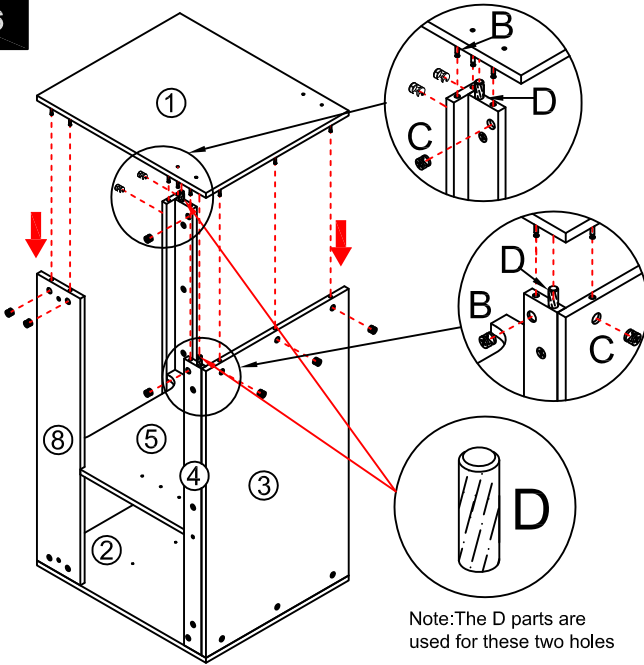
### Step 5



Note: The D parts are used for this hole

	x10
B	
	x10
C	
	x1
D	
T	

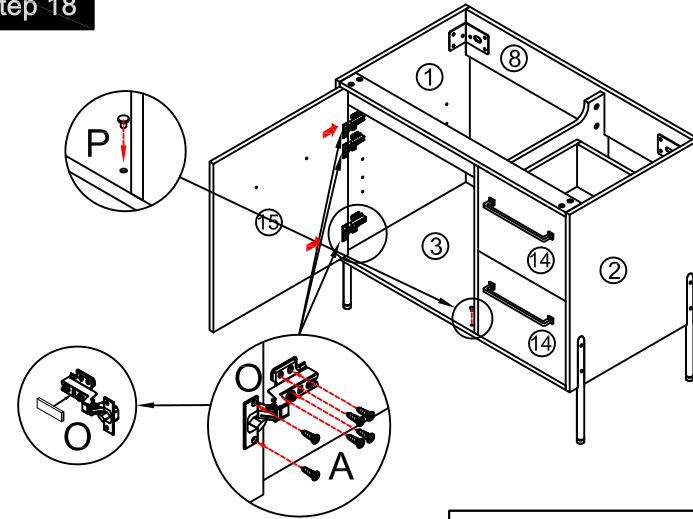
### Step 6



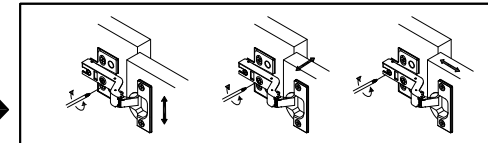
Note: The D parts are used for these two holes

	x9
B	
	x9
C	
	x2
D	
T	

### Step 18

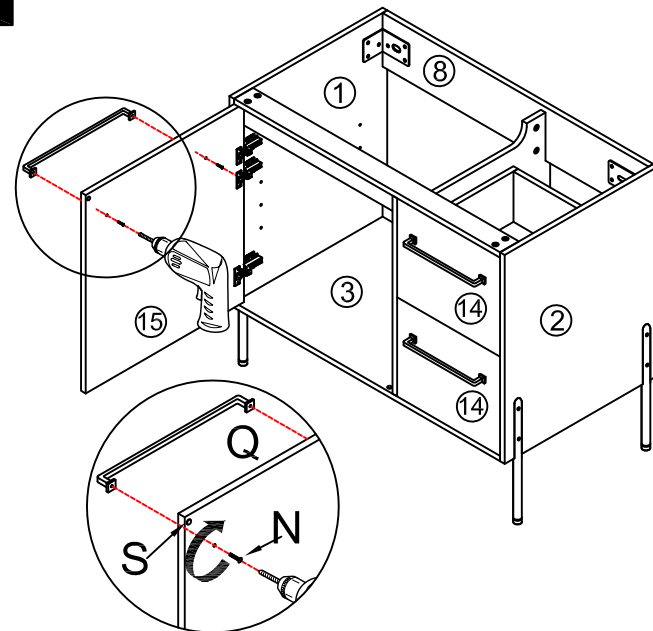


You can adjust the doors by tightening or loosening the screws on the hinge. →



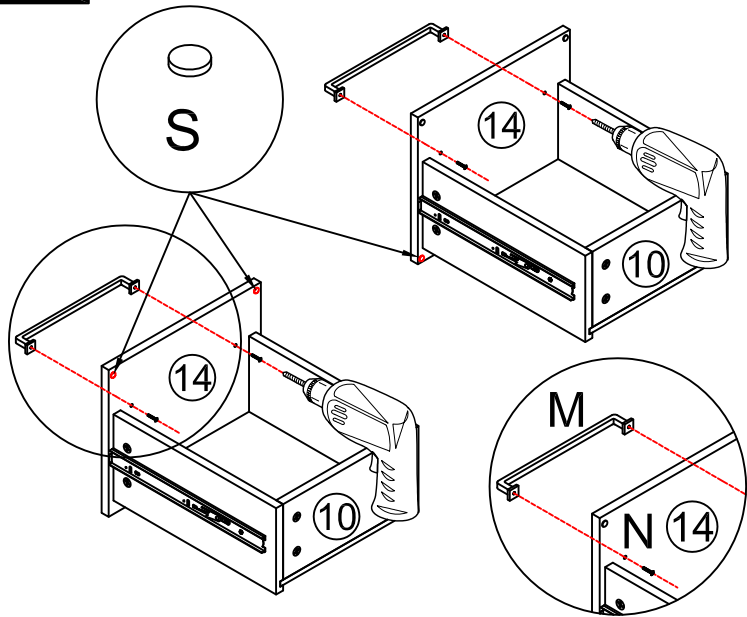
	x3
O	
( $\varnothing 4 \times 14\text{mm}$ )	
	x18
A	
	x1
P	
Tool	





### Step 19



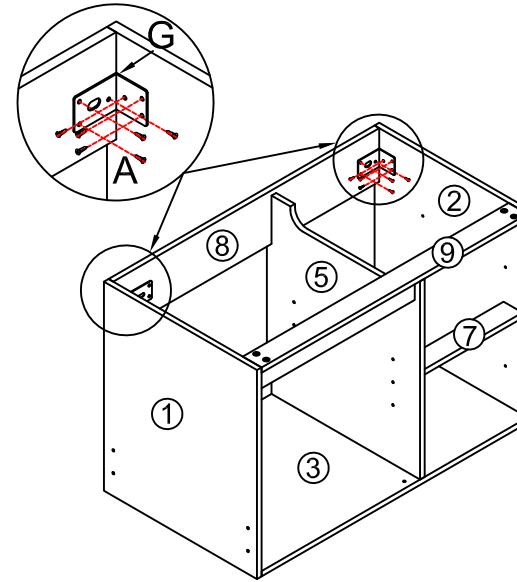
(L = 337mm)	
	x1
Q	
(M4 x 18mm)	
	x2
N	
	x1
S	
Tool	


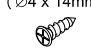

Step 16



-  x4
- S  
(L = 241mm)
-  x2
- M  
(M4 x 18mm)
-  x4
- N
-  Tool

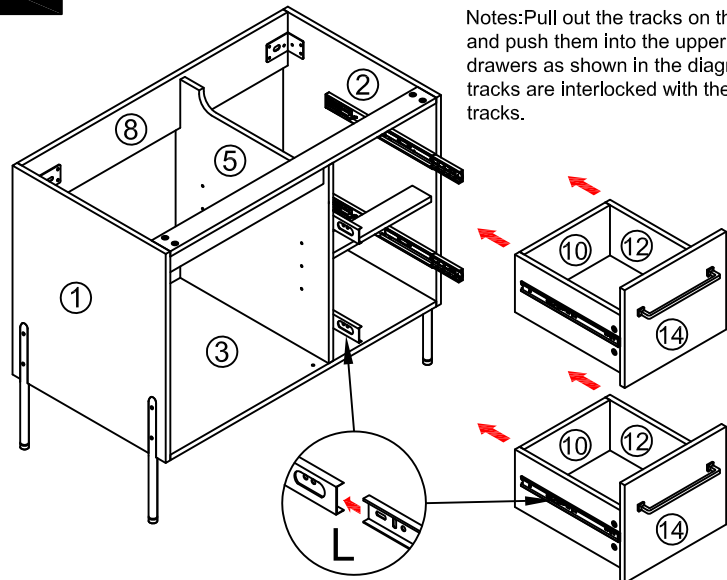
Step 7



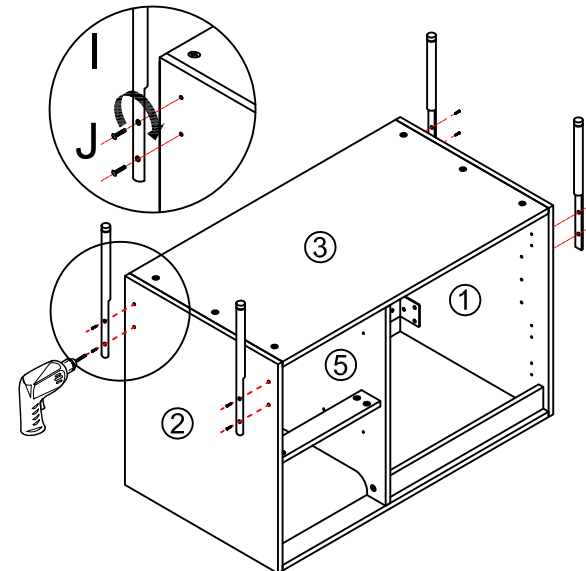
-  x2
- G  
(Ø4 x 14mm)
-  x12
- A
-  Tool

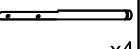


Step 17

Notes: Pull out the tracks on the cabinet body and push them into the upper and lower drawers as shown in the diagram. The drawer tracks are interlocked with the cabinet body tracks.



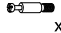
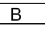

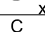
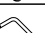
Step 8



-  x4
- I  
(M4x16mm)
-  x8
- J
-  Tool

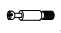
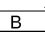

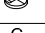
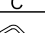
**Step 9**

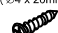
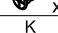
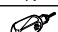
**Step 10**

	x8
	
	x8
	
	

**Step 11**

**Step 12**

	x8
	
	x8
	
	



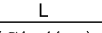
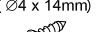

	x6
	
	

**Step 13**



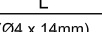

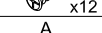
Notes: Disassemble the three fold side mounted buffer rail as shown in the following diagram.

**Step 14**

Notes: Install the dismantled side mounted rail as shown in the diagram.

	x2
	
	(∅4 x 14mm)
	x12
	

**Step 15**

	x2
	
	(∅4 x 14mm)
	x12
	

Notes: Tighten the self working screw according to the hole position shown in the diagram.