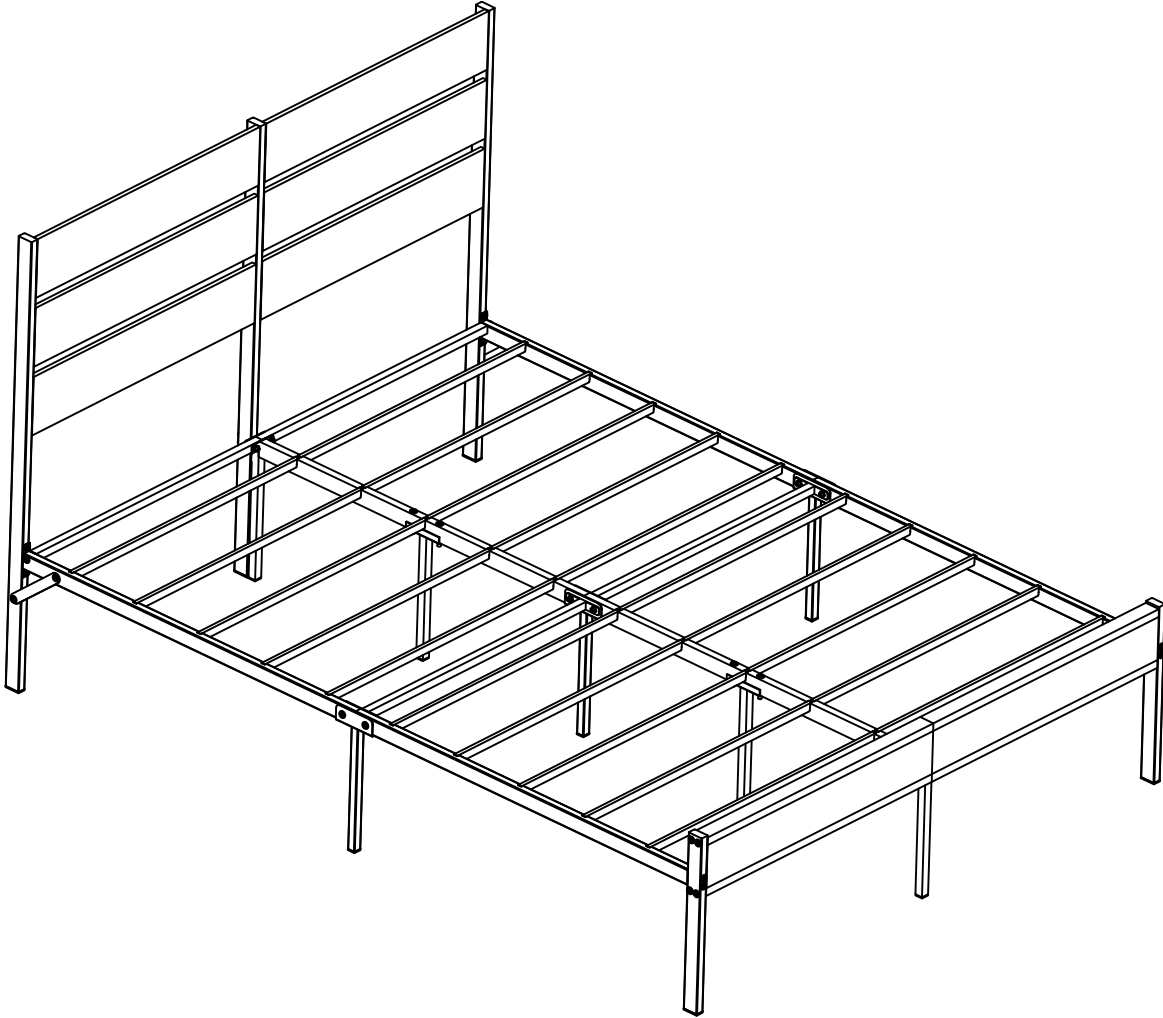


Bed Frame

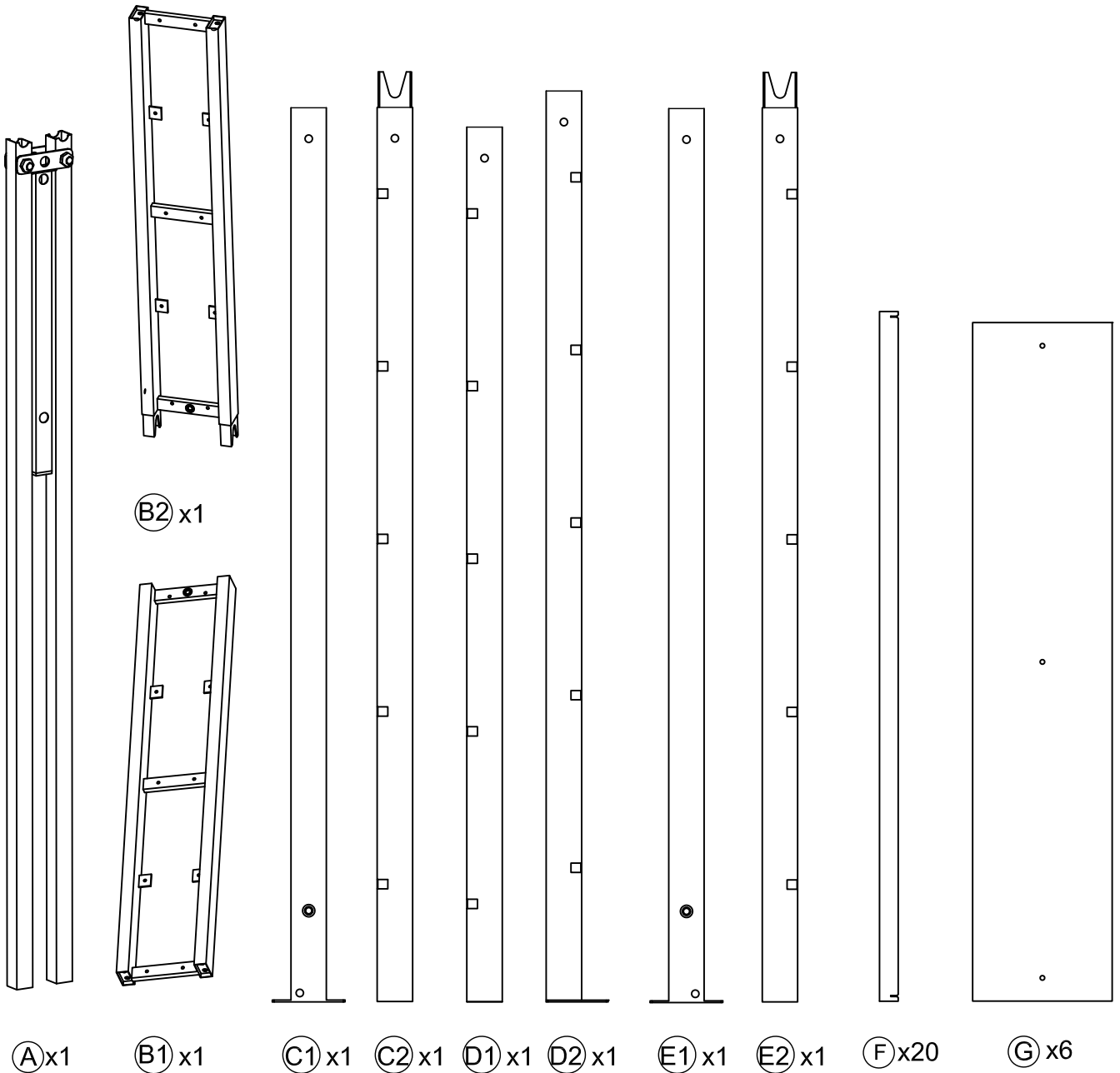


Model: C383-Q-BK+LP, C383-F-BK+LP

PRODUCT GUIDE AND INSTALLATION MANUAL

Parts List:

Before your installation, please make sure that you have all the parts listed on the manual. If you find something missing, stop installing and contact your supplier immediately.



Parts List:



Ⓟx6

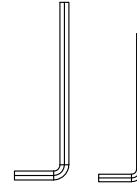


Ⓞx2



M6x30mm

Ⓞ1x18



Ⓥx1



Ⓤx1



M8x80mm

Ⓞ1x2



M8x55mm

Ⓞ2x8



M8x35mm

Ⓞ3x17



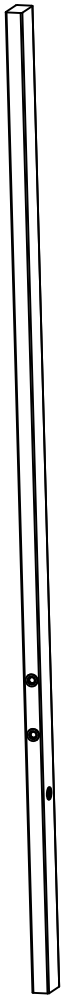
M8x15mm

Ⓞ4x10



M8x10mm

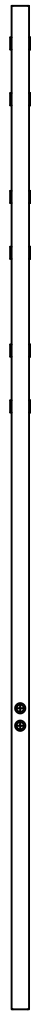
Ⓞ5x26



Ⓞx1



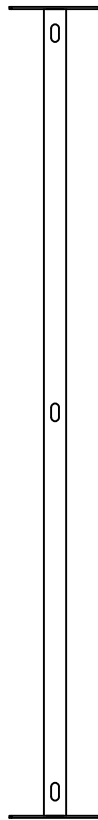
Ⓞx1



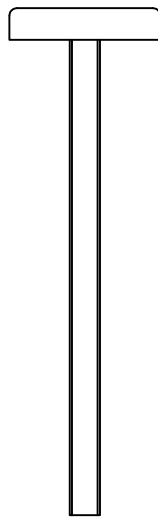
Ⓞx1



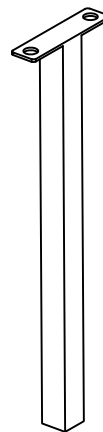
Ⓞx2



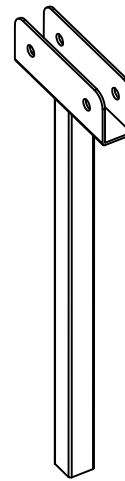
Ⓞx6



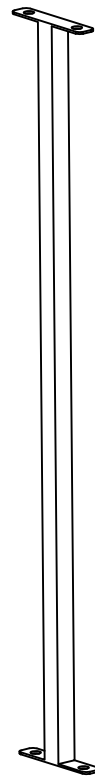
Ⓞx2



Ⓞ3x1

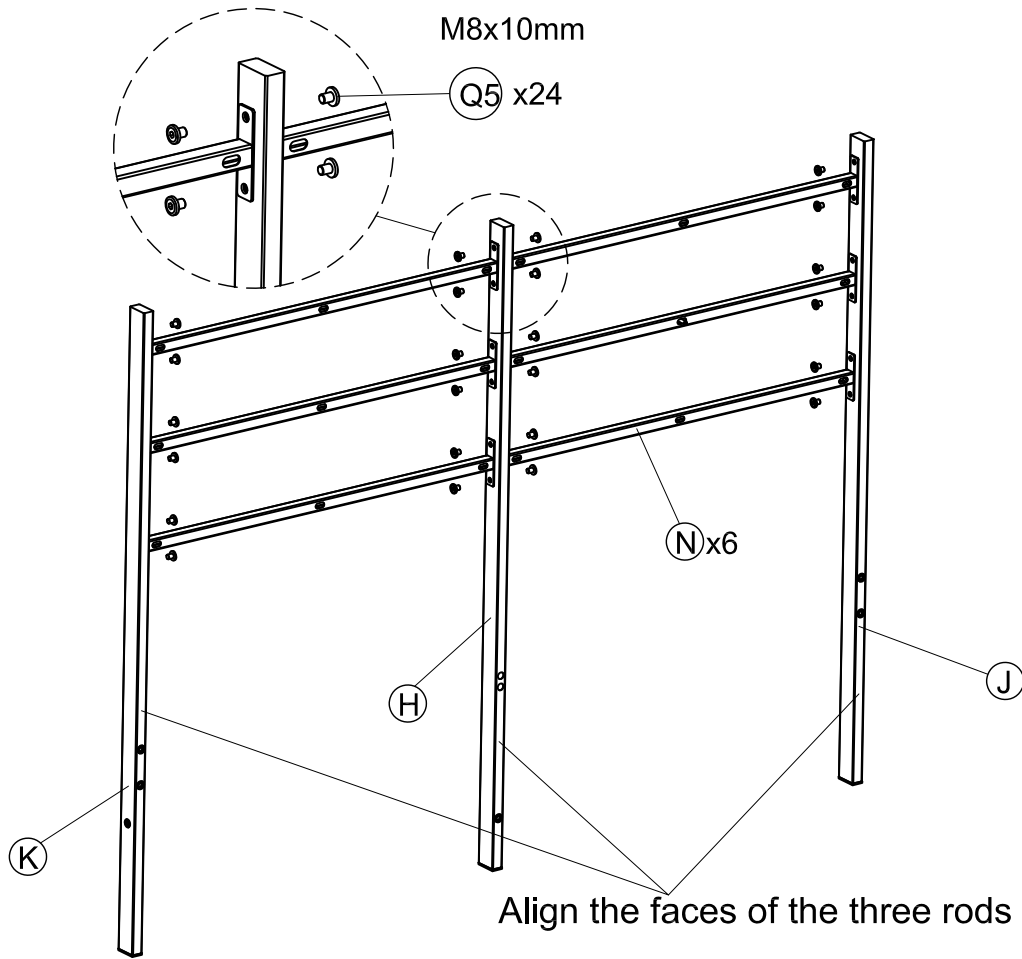


Ⓞx3

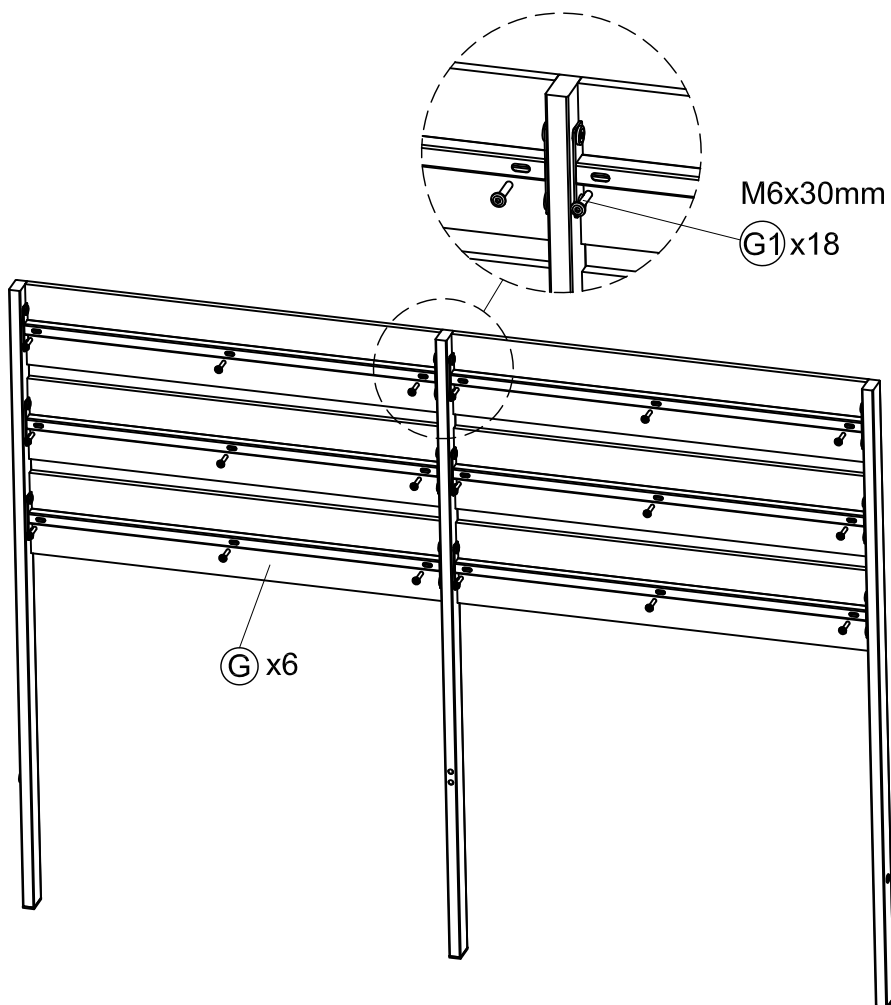


Ⓞx2

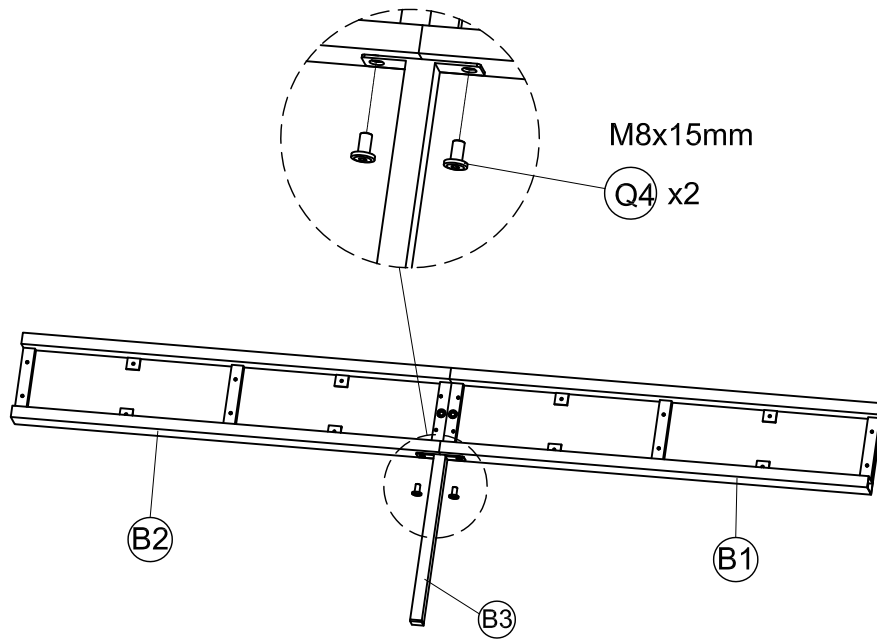
STEP 1



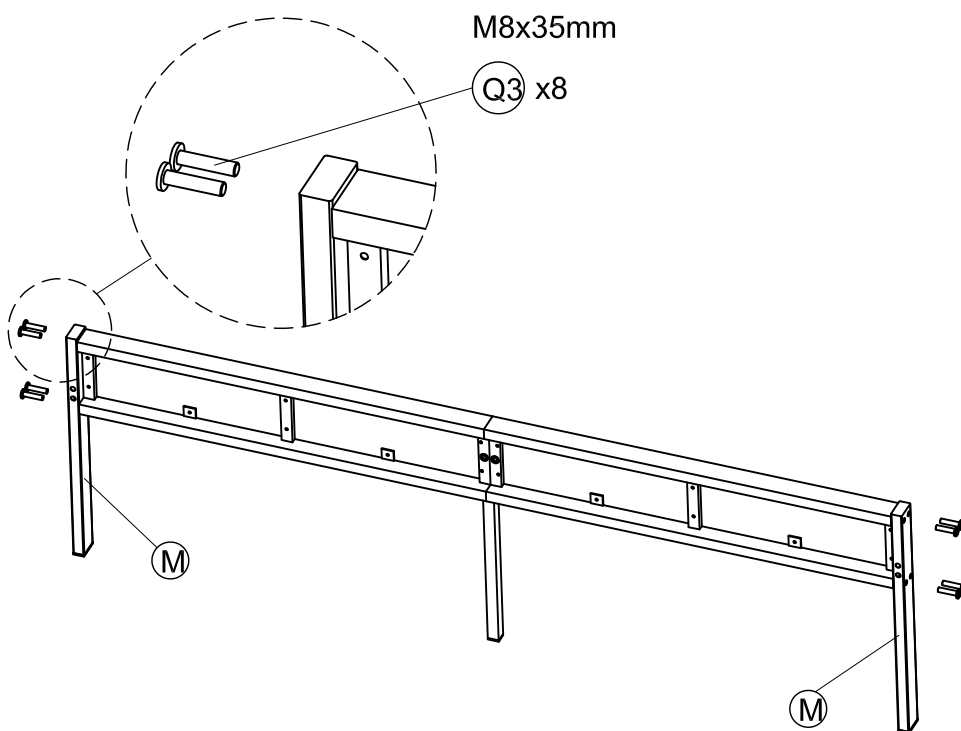
STEP 2



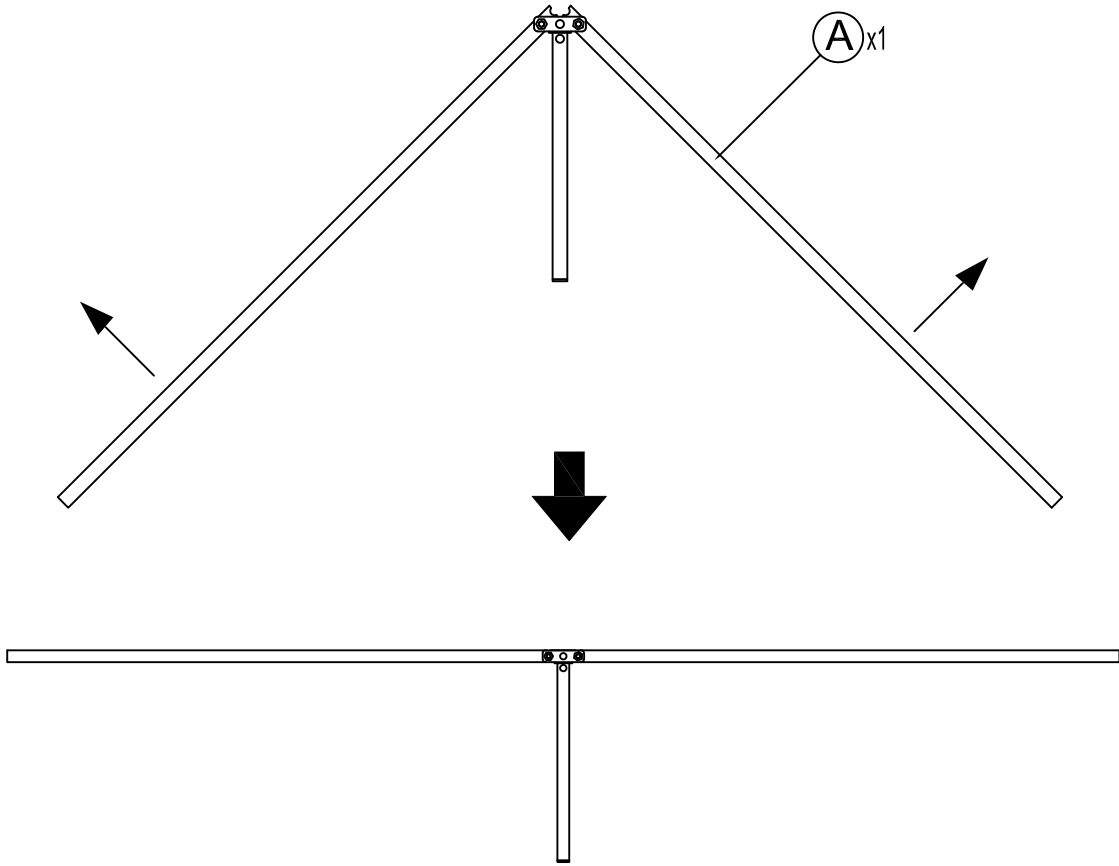
STEP 3



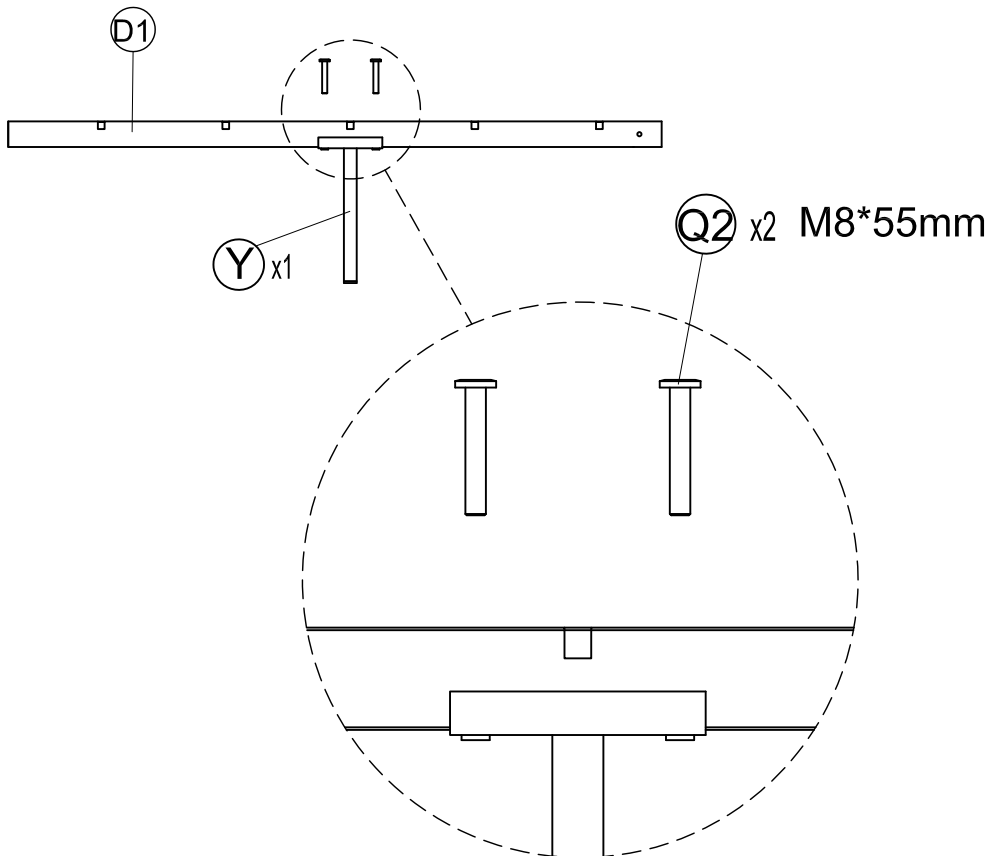
STEP 4



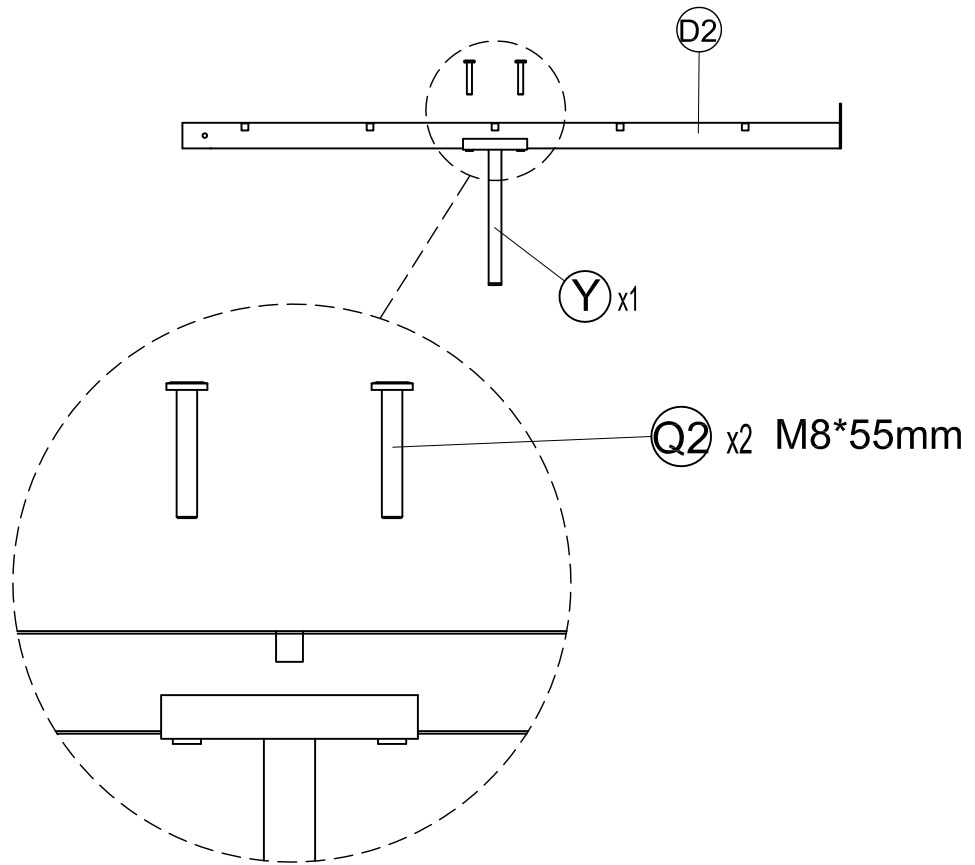
STEP 5



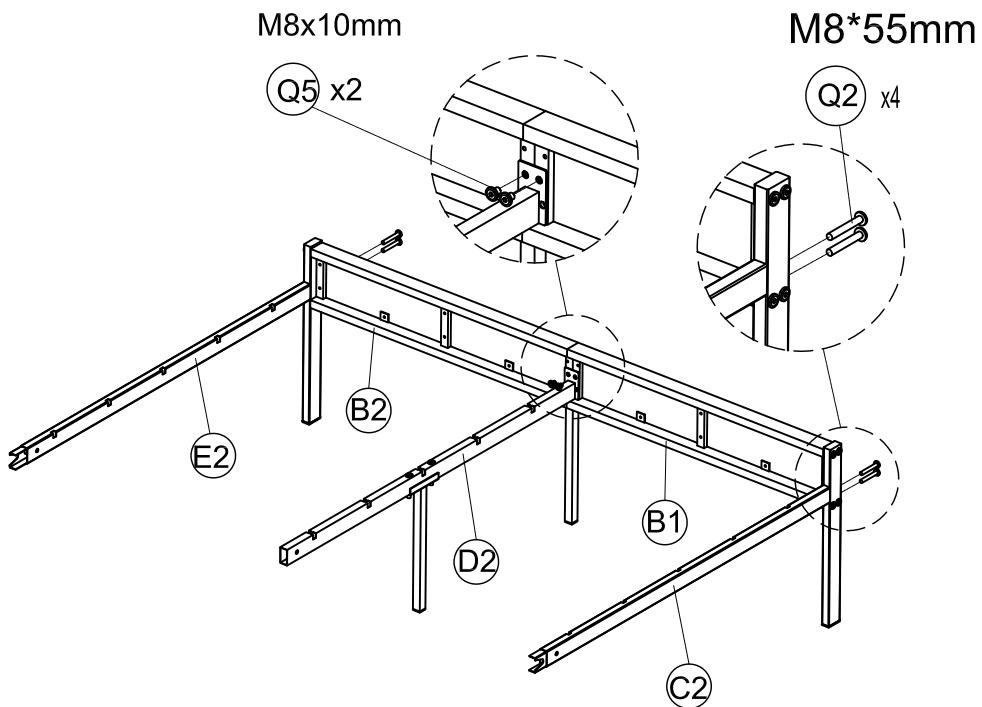
STEP 6



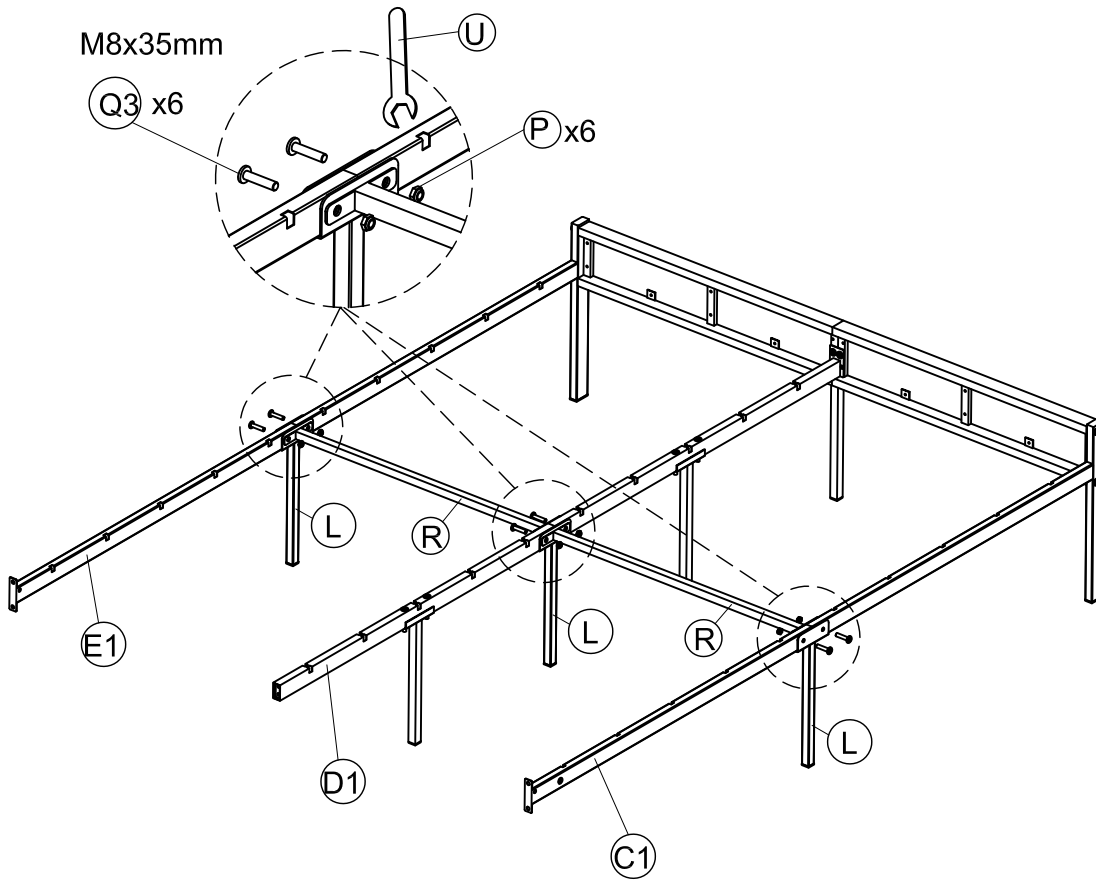
STEP 7



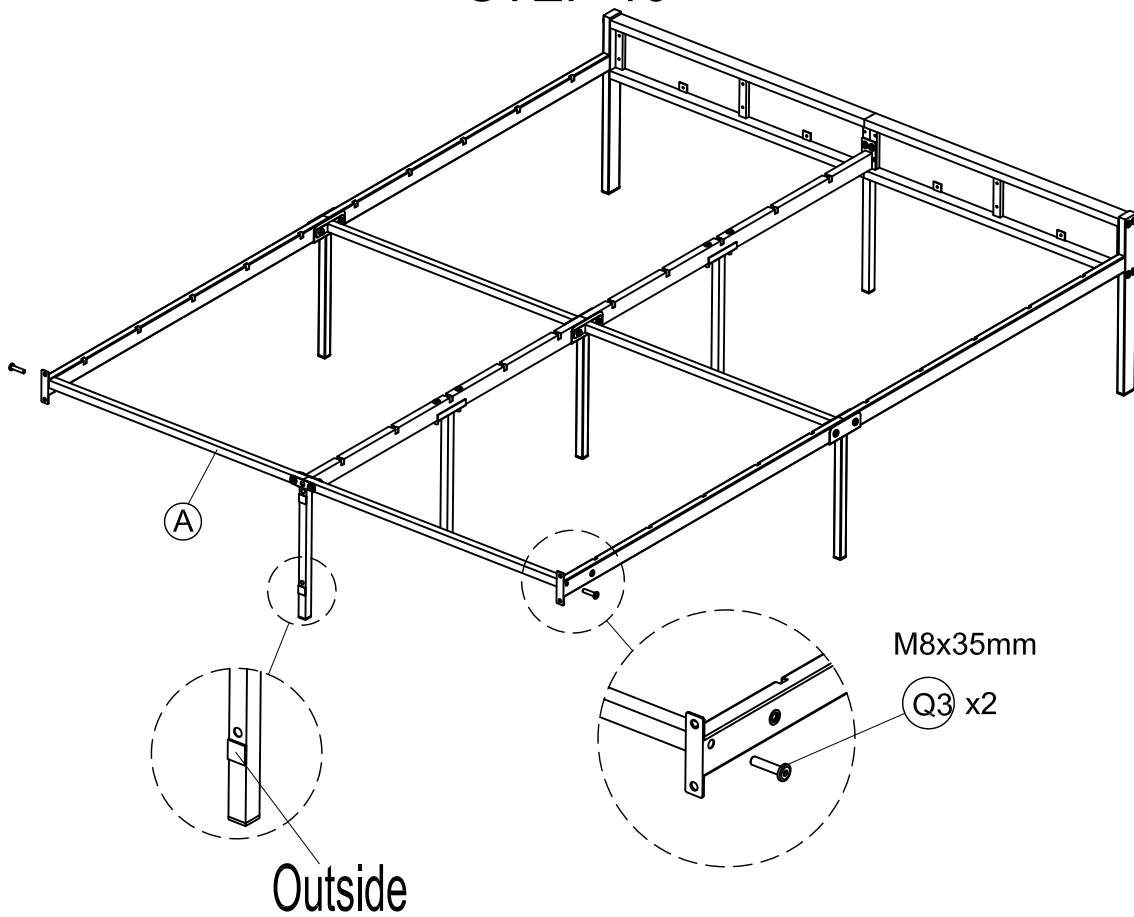
STEP 8



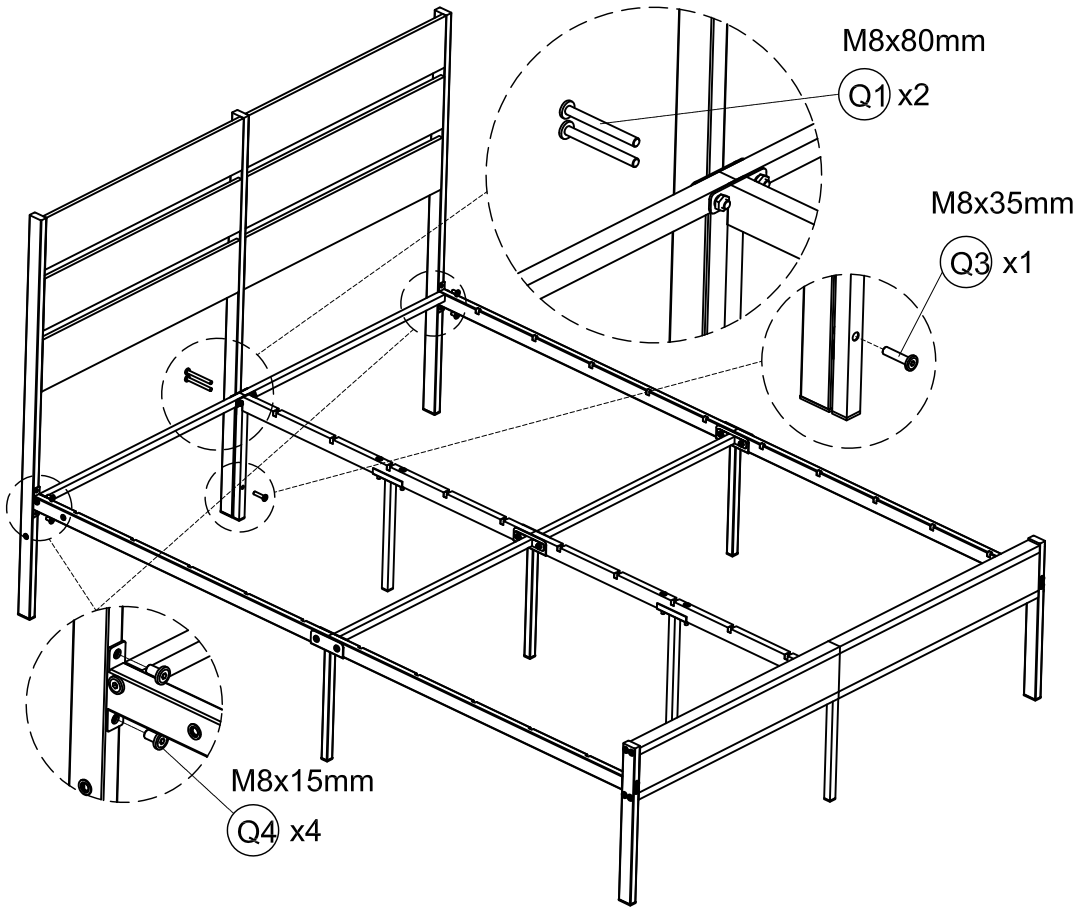
STEP 9



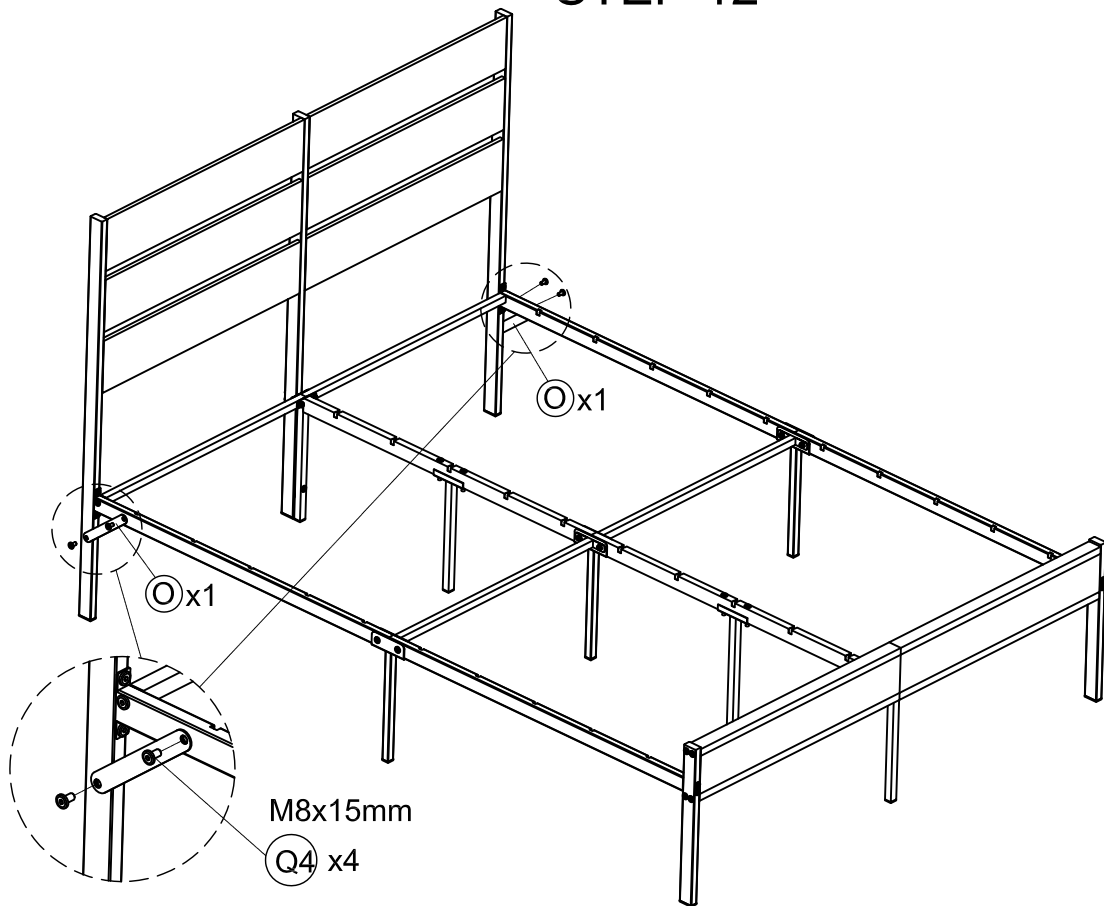
STEP 10



STEP 11



STEP 12



STEP 13

