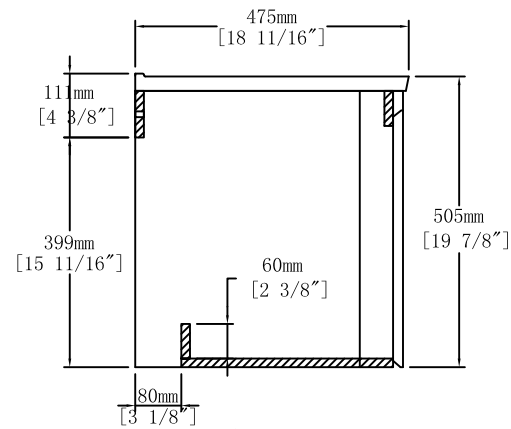
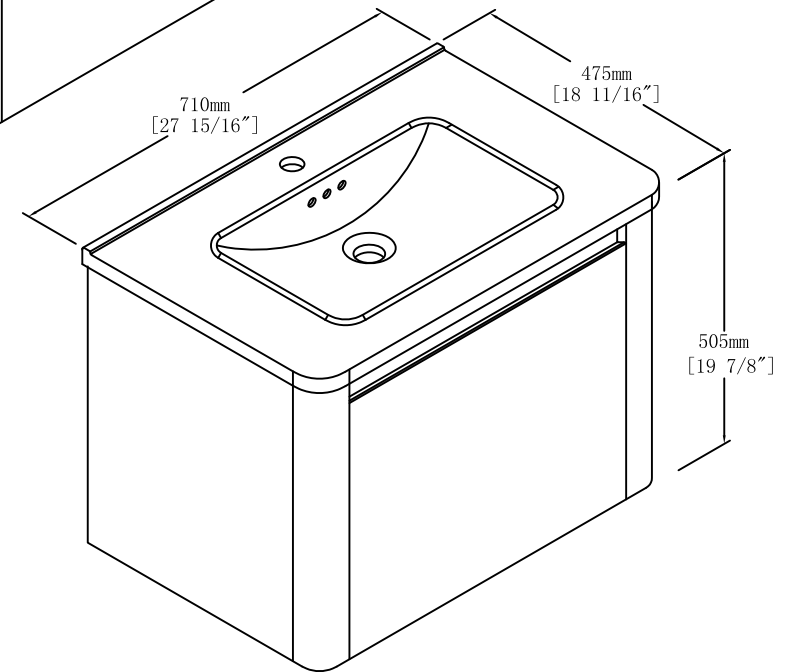


Front View



Side View



Item NO.

BV H12128

Version

V1

Project

Date

2025-4-22