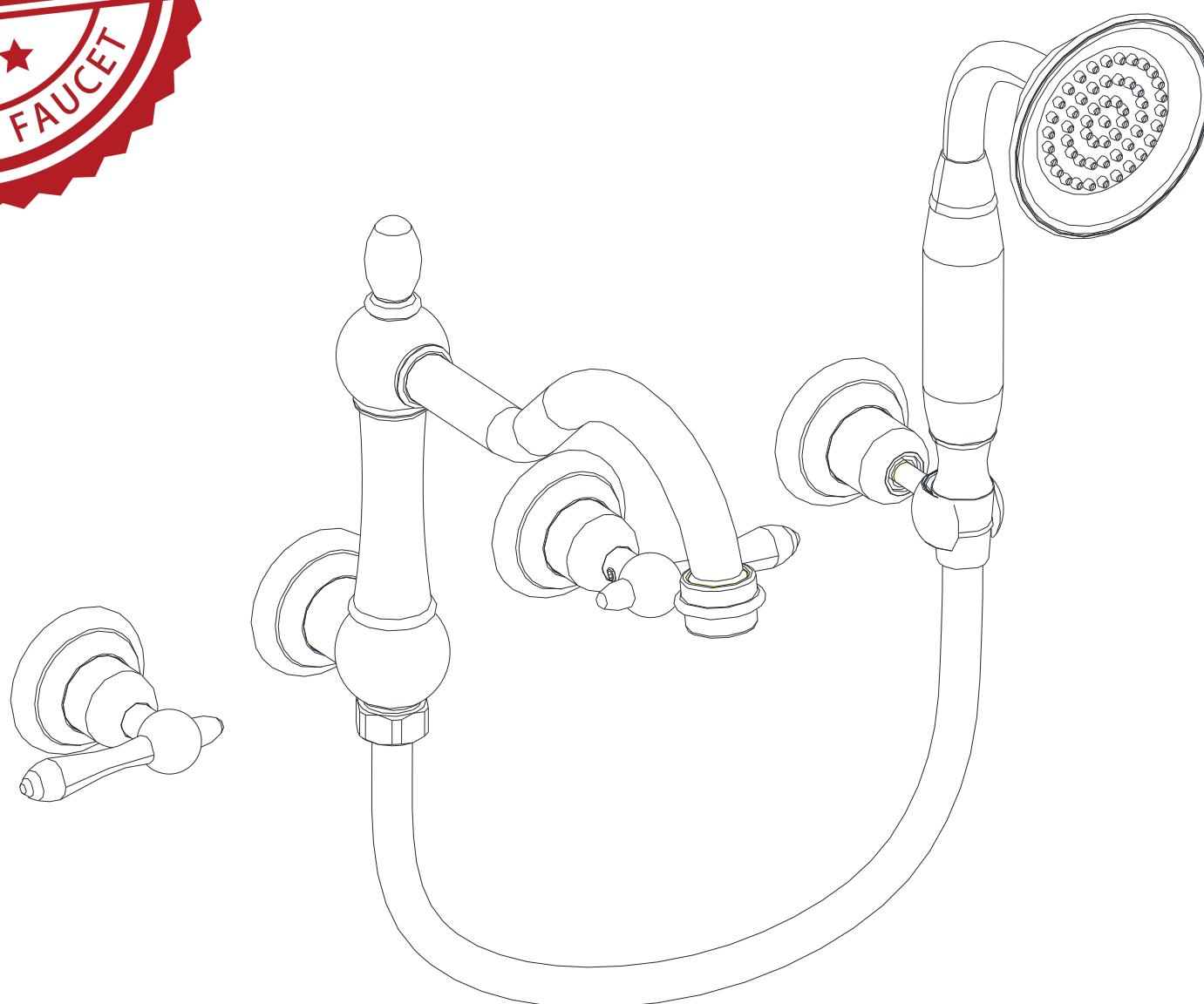


## INSTALLATION GUIDE



### WALL MOUNTED TUB FAUCET WITH HANDSHOWER

MODEL	FINISH
S2164I-CH	CHROME
S2164I-BN	BRUSHED NICKEL
S2164I-MB	MATTE BLACK
S2164I-BG	BRUSHED GOLD
S2164I-MG	BLACK AND BRUSHED GOLD
S2164I-OB	OIL RUBBED BRONZE

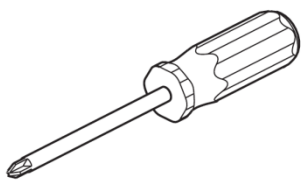
## THANK YOU

Dear Valued Customer,  
SUMERAIN would like to take this opportunity to thank you for purchasing SUMERAIN products. It is our sincere hope that you are completely satisfied with your new purchase. All SUMERAIN products are carefully engineered, and factory tested to provide long trouble-free use under normal conditions. This product is easy to install using basic tools and our easy to follow illustrated instructions. We welcome any questions or comments you may have and look forward to assisting you in the future. If you have any questions regarding this product, call +1-866-203-0866 or email to [support@sumerain.com](mailto:supports@sumerain.com) .  
Sincerely,  
SUMERAIN customer service department

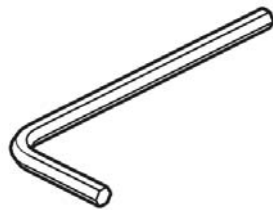
## BEFORE PROCEEDING

1. Unpack your new product and ensure that all the parts are contained in the packaging. Keep the product in its original box until you ready to install it.
2. Locate water supply inlets and shut off the water supply valves. These are usually found near the water meter.
3. if you are replacing an existing unit, remove the old unit and clean the mounting surface thoroughly.
4. Observe all plumbing and building codes in your area.
5. It is recommends calling professional if you are uncertain about installing this product.

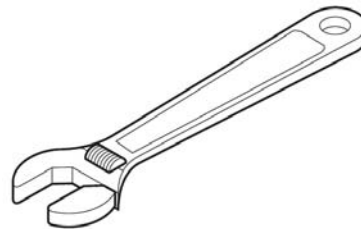
## TOOLS RECOMMENDED



Philips screwdriver



Allen wrench



Adjustable wrench



Channel locks



Thread Sealant

## LIMITED LIFETIME CONSUMER WARRANTY

VERSION: 20160320.18.1

This product has been manufactured and tested to the highest quality standards by SUMERAIN sanitary Inc("SUMERAIN").This warranty is limited to SUMERAIN products which are purchased by a consumer in the China after Jan 1,2010 and installed in China or the state which has SUMERAIN technical support department locally.(visit <http://www.sumerain.com/en/supportcenter.asp> for review the state list of SUMERAIN technical support department).If the faucet should leak or drip during normal use,SUMERAIN will, free of charge, mail to the purchaser the cartridge necessary to put the faucet in good working condition. If a defect is found in normal residential use, SUMERAIN will, at its election, repair, provide a replacement part or product, or make appropriate adjustment.

### WHO IS COVERED BY THE WARRANTY

This warranty extends to the original consumer purchaser only (exclusive online retail original customer, online retail original customer cover by the "Online CONSUMER Limited Lifetime WARRANTY & Return policy"), This warranty is not-transferable.

### WHAT IS COVERED BY THE WARRANTY

This warranty covers only your SUMERAIN manufactured product. SUMERAIN warrants this product against defects in material or workmanship as follows: SUMERAIN will repair at no charge for parts only or, at its option, replace any product or part of the product that proves defective because of improper workmanship and/or material, under normal installation, use, service and maintenance. If SUMERAIN unable to provide replacement, SUMERAIN may elect to provide similar model upon close value.

### FINISH WARRANTY

It is the responsibility of the customer to check for any material finish defects before installation. SUMERAIN doesn't warranty these finishes after the fixture has been installed.

### ELECTRONIC FAUCETS WARRANTY

SUMERAIN warrants that its electronic faucets, valves and controls to be free from manufacturing defects in material and workmanship under normal use for three(3) years from the date of purchase and waterflow impeller-dynamo (generate power for LED faucet) for six(6) months from the date of purchase.

### LENGTH OF WARRANTY

Replacement or repaired parts of products will be covered for the term of this warranty as stated in the following two sentences, if you are a consumer who purchased the product for use primarily for personal,family,or household purposes, this warranty extends for 5 years since the product originally installed (Extend max 1 month From the date of purchase).if you purchased the product for use primarily for any other purpose,including,without limitation, a commercial purpose or is installed outside of US, or if the finish is gold, non-Vibrant or a painted or powder coated color finish this warranty extends only for one year, with respect to SUMERAIN and commercial products.

### THIS WARRANTY DOES NOT COVER, AND SUMERAIN WILL NOT PAY FOR:

- A. Conditions, malfunctions or damage not resulting from defects in material or workmanship.
- B. Conditions, malfunctions or damage resulting from normal wear and tear, improper installation, improper maintenance, misuse,abuse,negligence,accident or alteration or the use of abrasive or caustic cleaning agents or "no-rinse" cleaning products, or the use of the product in any manner contrary to the product instructions. Conditions in the home such as excessive water pressure or corrosion.
- C. Labor or other expenses for the disconnection, deinstallation, or return of the product for warranty service, or for installation or reinstallation of the product.
- D. Accessories, connected materials and products (including but not limited in handshower flexible hose, spray flexible hose, handshower), or related products not manufactured by SUMERAIN

### TO OBTAIN WARRANTY PARTS OR INFORMATION

Contact your SUMERAIN retailer or contact technical service at: [supports@sumerain.com](mailto:supports@sumerain.com)

In requesting warranty service, you will need to provide

1. The sales receipt or other evidence of the date and the place of purchase.
2. A description of the problem (Download URL: <http://www.sumerain.com/download/servicerequest/sheet.pdf> and fill out the Service Request Sheet).
3. Delivery of the product or the defective part, postage prepaid and carefully packed and insured to specified address.

When warranty service is completed, any repaired or replacement product or part will be returned to you postage prepaid.

### EXCLUSIONS AND LIMITATIONS

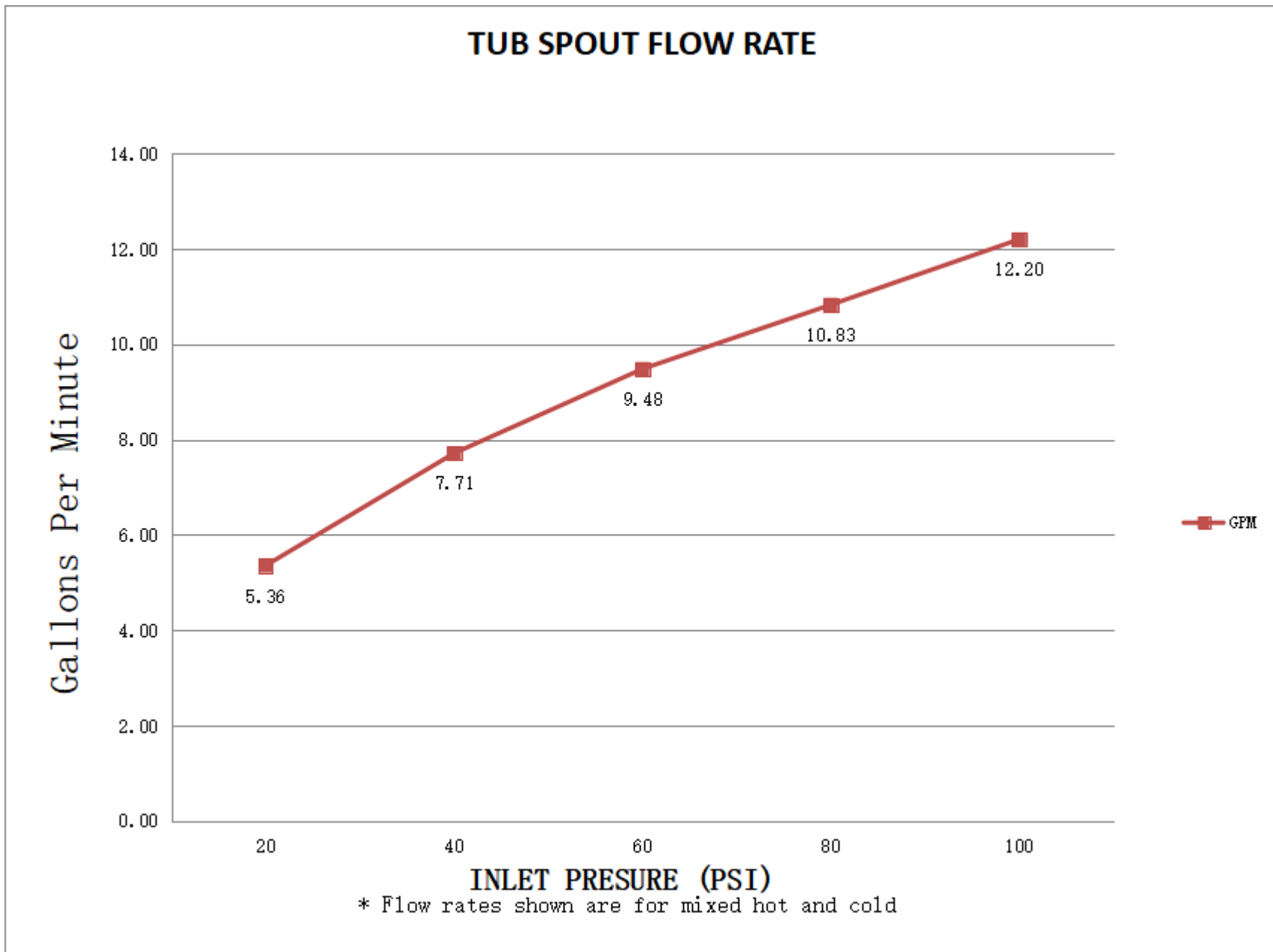
Repair or replacement (or, in limited circumstances, refund of the purchase price) as provided under this warranty is the exclusive remedy of the purchaser. SUMERAIN neither assumes nor authorizes any person to create for it any obligation or liability in connection with this product.SUMERAIN shall not be liable to purchaser or any person for any incidental, special, or consequential damages, arising out of breach of this warranty or any implied warranty (including merchantability) Some states do not allow the exclusion or limitation of incidental or consequential damages, so the above limitation or exclusion may not apply to you. This warranty gives you specific legal right, and you may have other rights which vary from state to state. You may be required by law to give us a reasonable opportunity to correct or cure any failure to comply before you can bring any action in court against us under the Magnusson-moss warranty Act.

### PRODUCT INSTRUCTIONS AND QUESTIONS

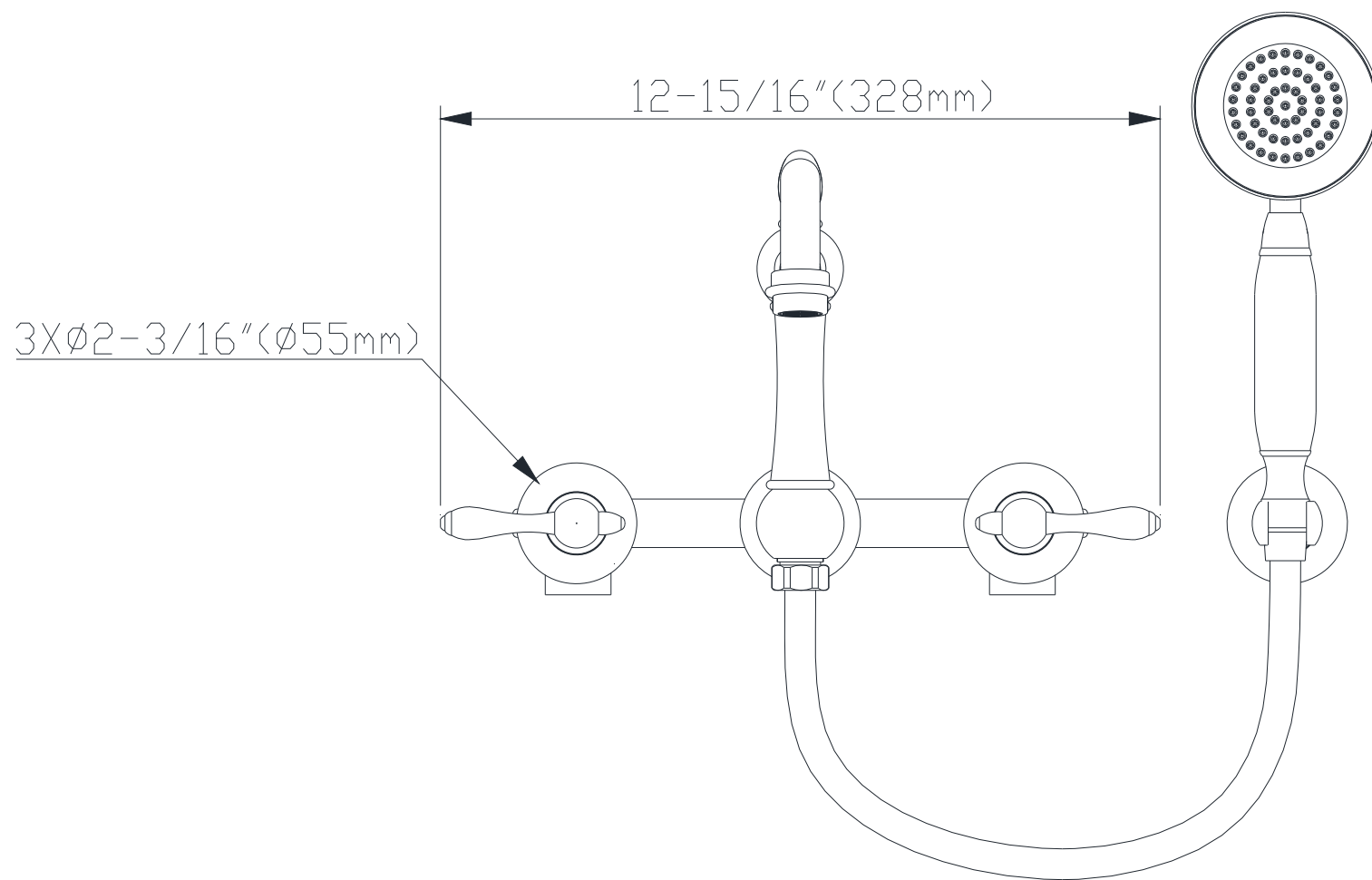
Upon purchase or prior to installation, please carefully inspect your SUMERAIN product for any damage or visible defect. Prior to installing, always carefully study the enclosed instructions on the proper installation and the care and maintenance of the product. if you have questions at any time about the use,installation,or performance of your SUMERAIN product, or this warranty, please call or email us at +1-866-2030-866, [supports@sumerain.com](mailto:supports@sumerain.com)

## FUNCTIONS AND SPECIFICATION

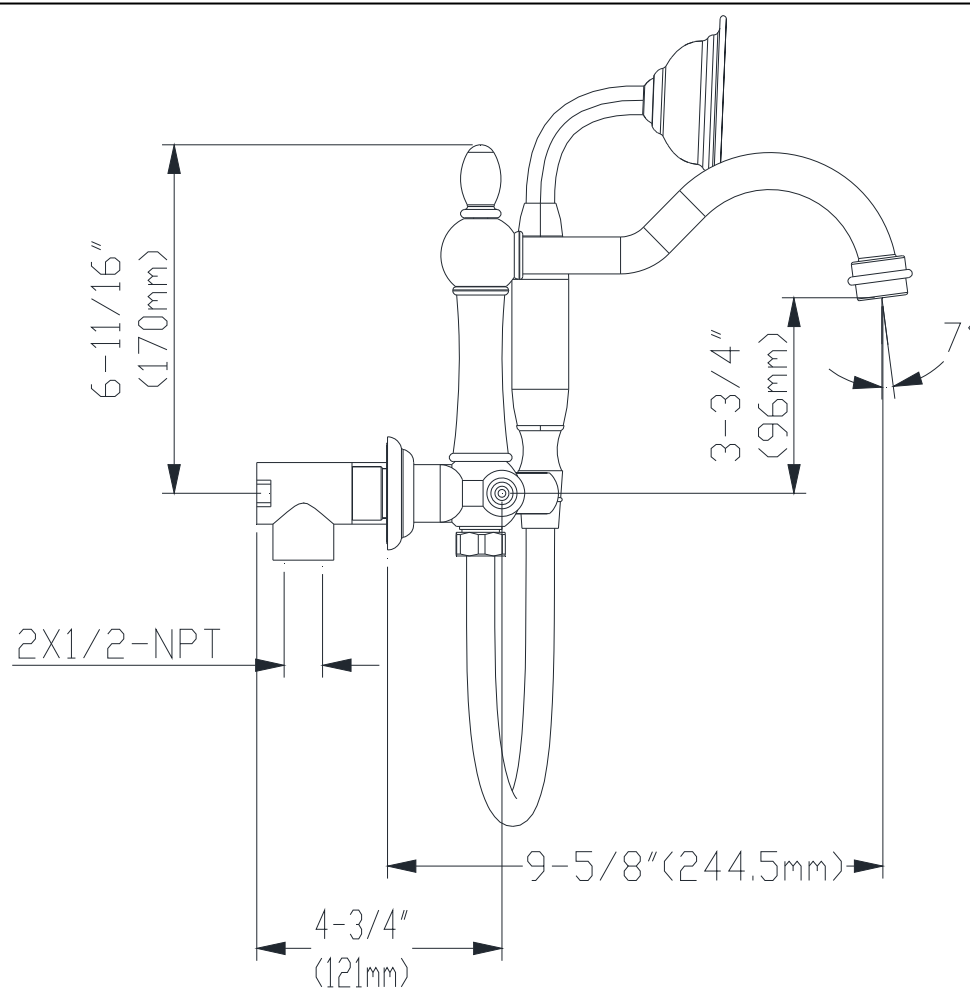
<b>Function</b>	Tub Faucets
<b>Feature</b>	Wall mount
<b>Theme</b>	Traditional
<b>Finish</b>	Chrome/Nickel brushed/Matte black/Brushed Gold/Black and Gold/ORB
<b>Installation Holes</b>	Three
<b>Number of Handles</b>	Two
<b>Handle style</b>	Lever
<b>Faucet Total Height</b>	Adjustable
<b>Spout Reach</b>	9-5/8 Inch [244.5mm]
<b>Spout Height</b>	Adjustable
<b>Spout rotatable</b>	Yes
<b>Installation type</b>	Wall mount
<b>Valve Type</b>	Ceramic disc
<b>Faucet Body Material</b>	Brass
<b>Spout Material</b>	Brass
<b>Handle Material</b>	Metal
<b>Net Weight</b>	6.17 lbs [ 2.8KG]
<b>Gross Weight</b>	7.52lbs [ 3.41KG ]
<b>Working water press</b>	30PSI ~ 174PSI [0,2 ~1,2 Mpa]
<b>Flow Rate@60PSI</b>	9.48 GPM [ 35L/M @ 0.4Mpa]
<b>Max Flow Rate</b>	12.2GPM [ 46L/M ]
<b>Packing box size</b>	18-29/32"[480mm]x 14"[355mm]x 3-5/32"[80 mm]



DEMENSION

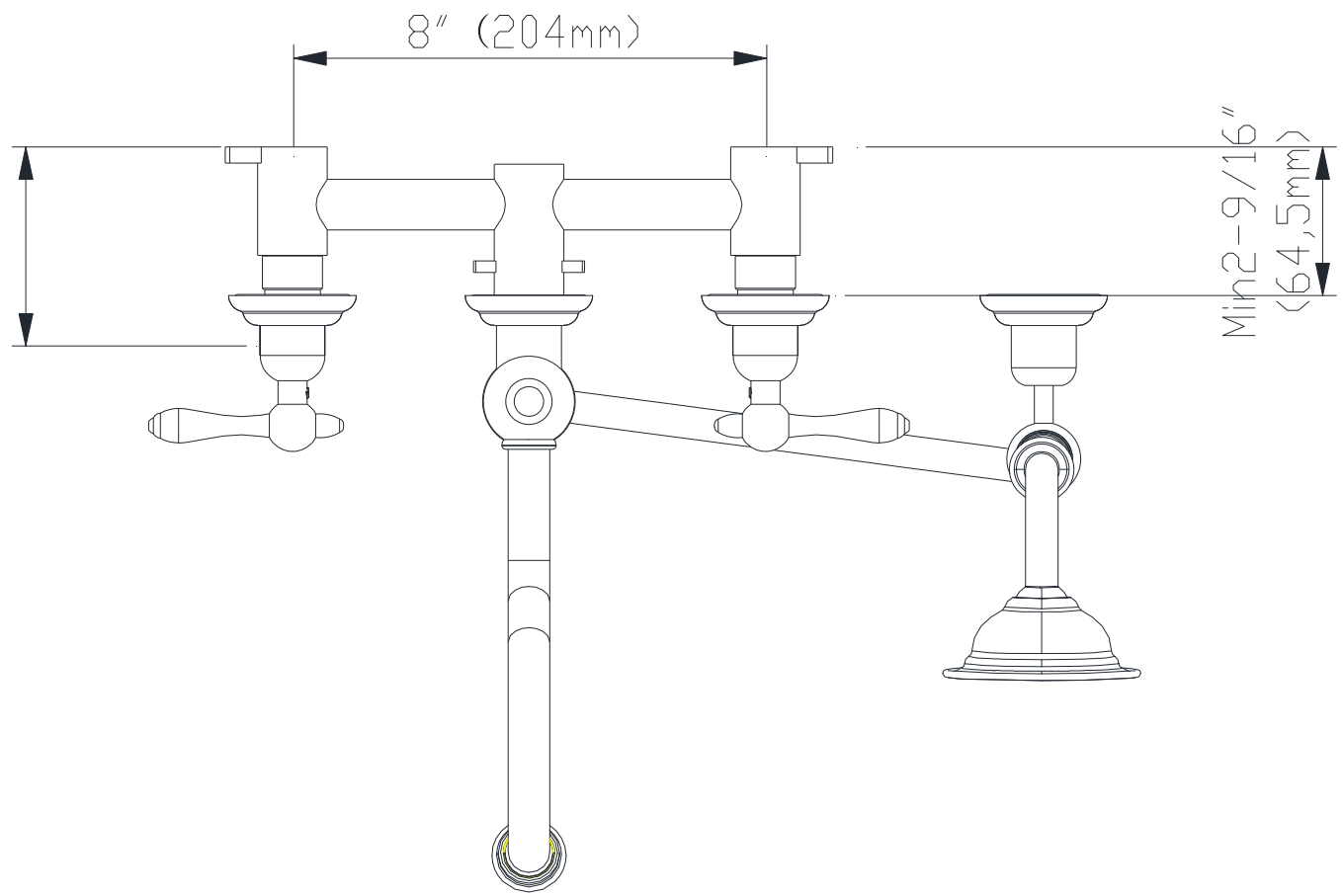


FRONT VIEW OF FAUCET



LEFT VIEW OF FAUCET

Max 3-5/16"  
(84.5mm)



Min 2-9/16"  
(64.5mm)

TOP VIEW OF FAUCET

## INSTALLATION STEPS

### 1. BEFORE PROCEEDING



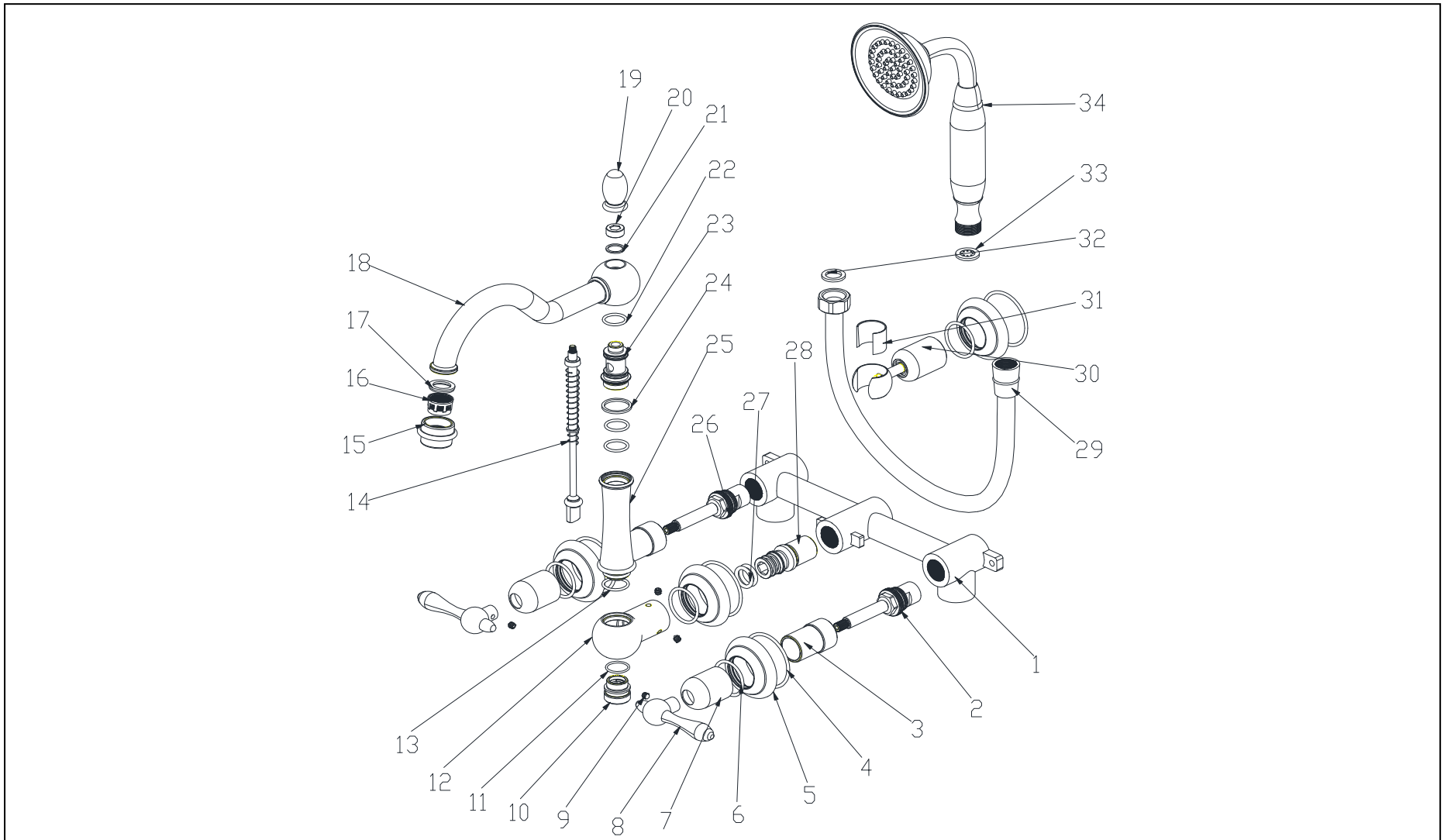
**WARNING:** Read all the instructions completely before proceeding. SUMERAIN recommends calling a professional if you are uncertain about installing this product!, this product should be installed in accordance with all local and state plumbing and building codes.

### 2. SHUT OFF WATER SUPPLY

Locate water supply inlets and shut off the water supply valves. These are usually found near the water meter. if you are replacing an existing unit, remove the old unit and clean the mounting surface thoroughly.

### 3. CHECKING THE CONTENTS OF THE BOX

Upon opening the box, check to ensure that all the following items are included.

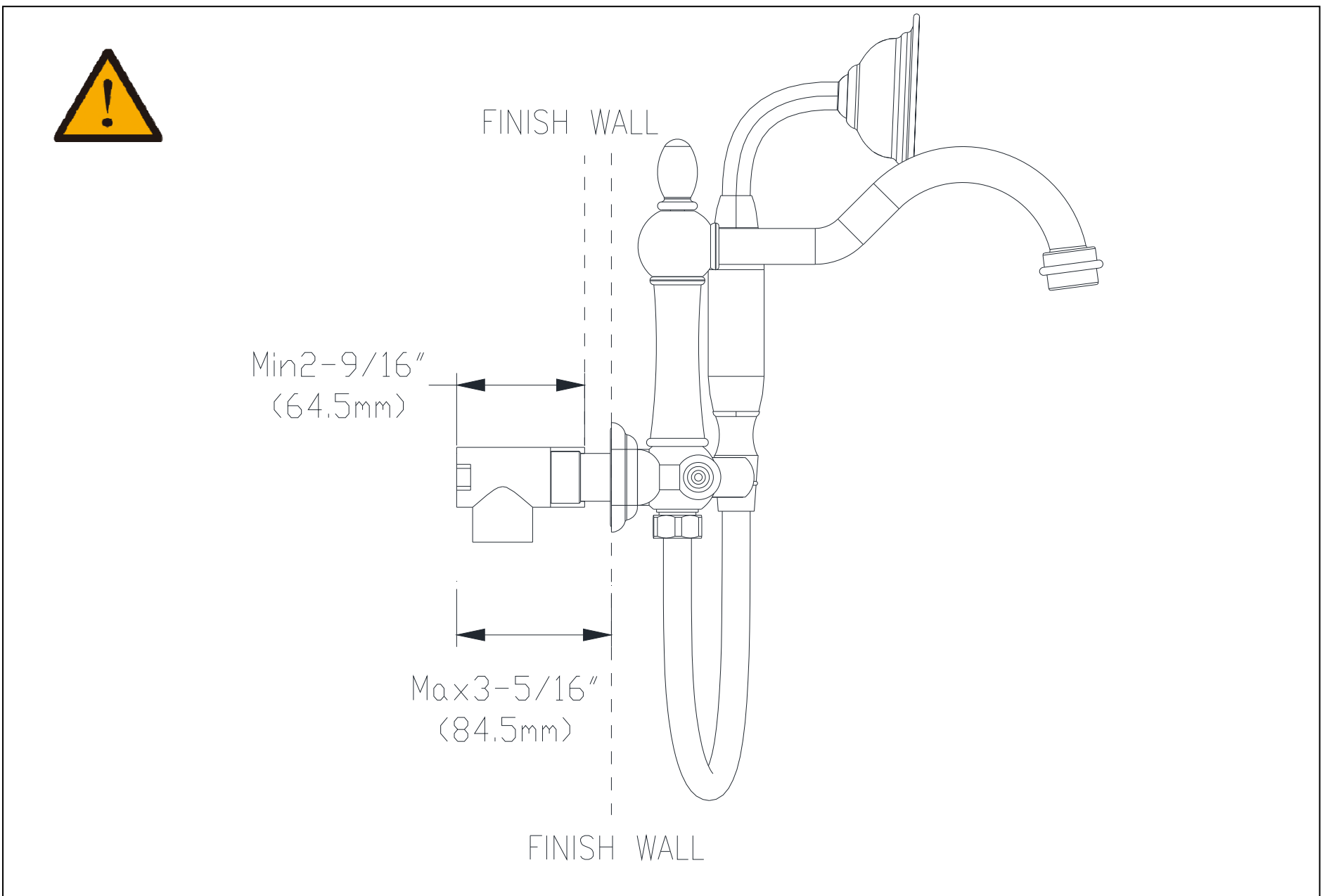
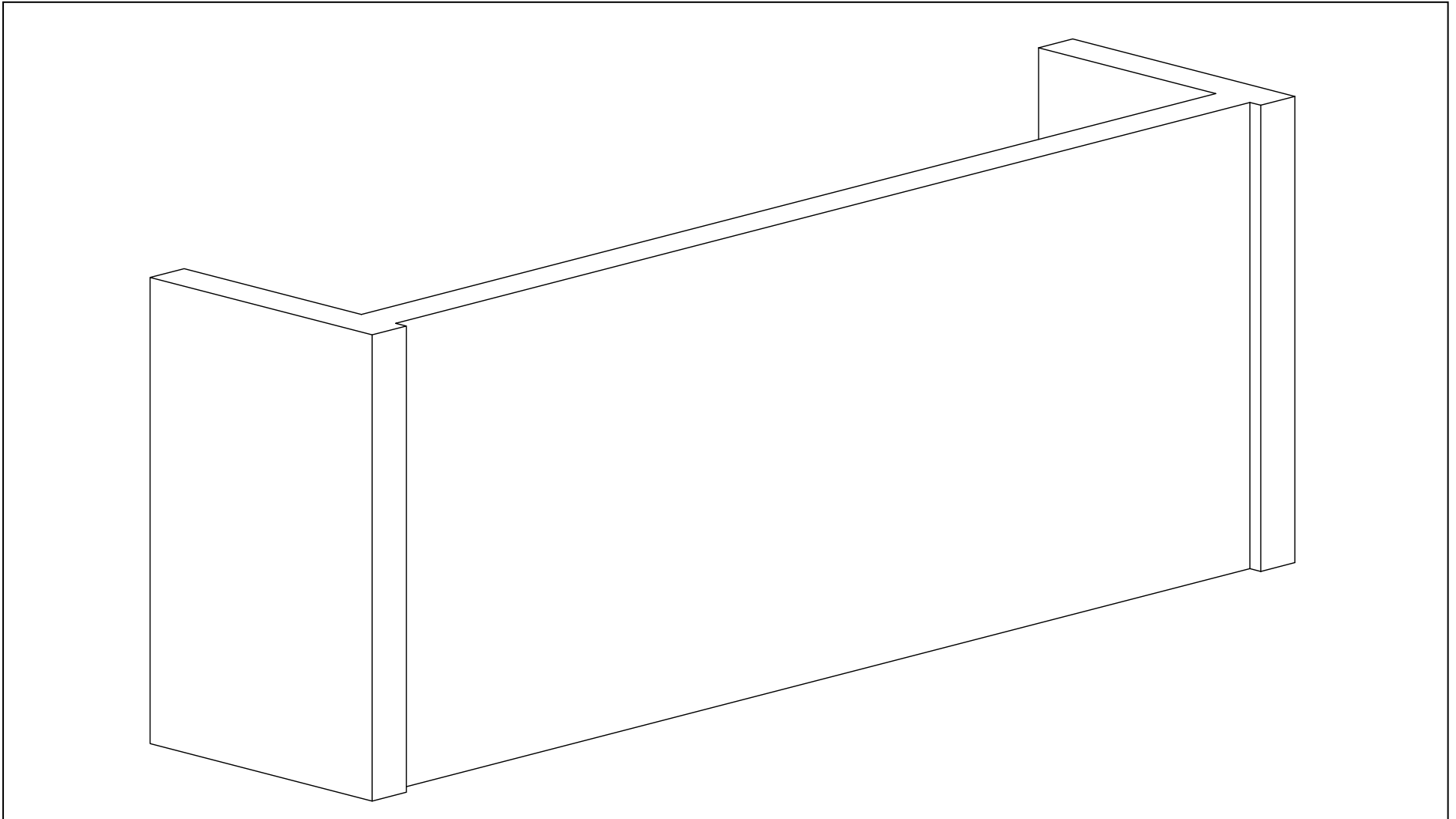


NO.	ITEM NAME	MATERIAL	QTY	PART NO.	NO.	ITEM NAME	MATERIAL	QTY	PART NO.
1	Rough-in valve	HPB59-1	1	PVB13860PB	18	Spout	HPB59-1	1	PSP21640XX
2	Cartridge(Cold)	ASSEMBLE	1	PCT21451XX	19	Decorative ball	HPB59-1	1	PHD21640XX
3	Escutcheon Adapter	HPB59-1	2	PSL21451XX	20	Locking nut	HPB59-1	1	PNT21640XX
4	O-Ring	NBR	4	POR50025XX	21	Rubber washer	POM	1	PRW15121XX
5	Escutcheon	HPB59-1	4	PEC21450XX	22	O-Ring	NBR	3	POR20020XX
6	O-Ring	NBR	4	POR33025XX	23	Spout supply nipple	HPB59-1	1	PCN21641XX
7	Cartridge Sleeve	HPB59-1	2	PFC21450XX	24	Rubber washer	POM	1	PRW24201XX
8	Lever Handle	Zn Alloy No.3	2	PHD21450XX	25	Connecting rod	HPB59-1	1	PSC21640XX
9	Set screw	SUS304	5	PSC05051XX	26	Cartridge(Hot)	ASSEMBLE	1	PCT21450XX
10	Hand shower Adapter	HPB59-1	1	PCN21640XX	27	O-Ring	NBR	2	POR20030XX
11	O-Ring	NBR	1	POR18015XX	28	Spout supply nipple	HPB59-1	1	PCN21451XX
12	Connecting ball sleeve	HPB59-1	1	PSL21640XX	29	Shower hose	ASSEMBLE	1	PFH00015XX
13	O-Ring	NBR	1	POR22020XX	30	Wall elbow holder assembly	ASSEMBLE	1	PHH21640XX
14	Diverter	ASSEMBLE	1	PCT21640XX	31	Socket cover	POM	1	PSA21640XX
15	Aerator Nut	HPB59-1	1	PAE21450XX	32	Rubber washer	NBR	1	PRW19020XX
16	Aerator	ASSEMBLE	1	PAE00005XX	33	Flow Restrictor	ASSEMBLE	1	PAE00030XX
17	Rubber washer	NBR	1	PRW23165XX	34	Handheld shower	ASSEMBLE	1	PHS21270XX

If any of these items are missing, please contact SUMERAIN consumer service by email to: [supports@sumerain.com](mailto:supports@sumerain.com)

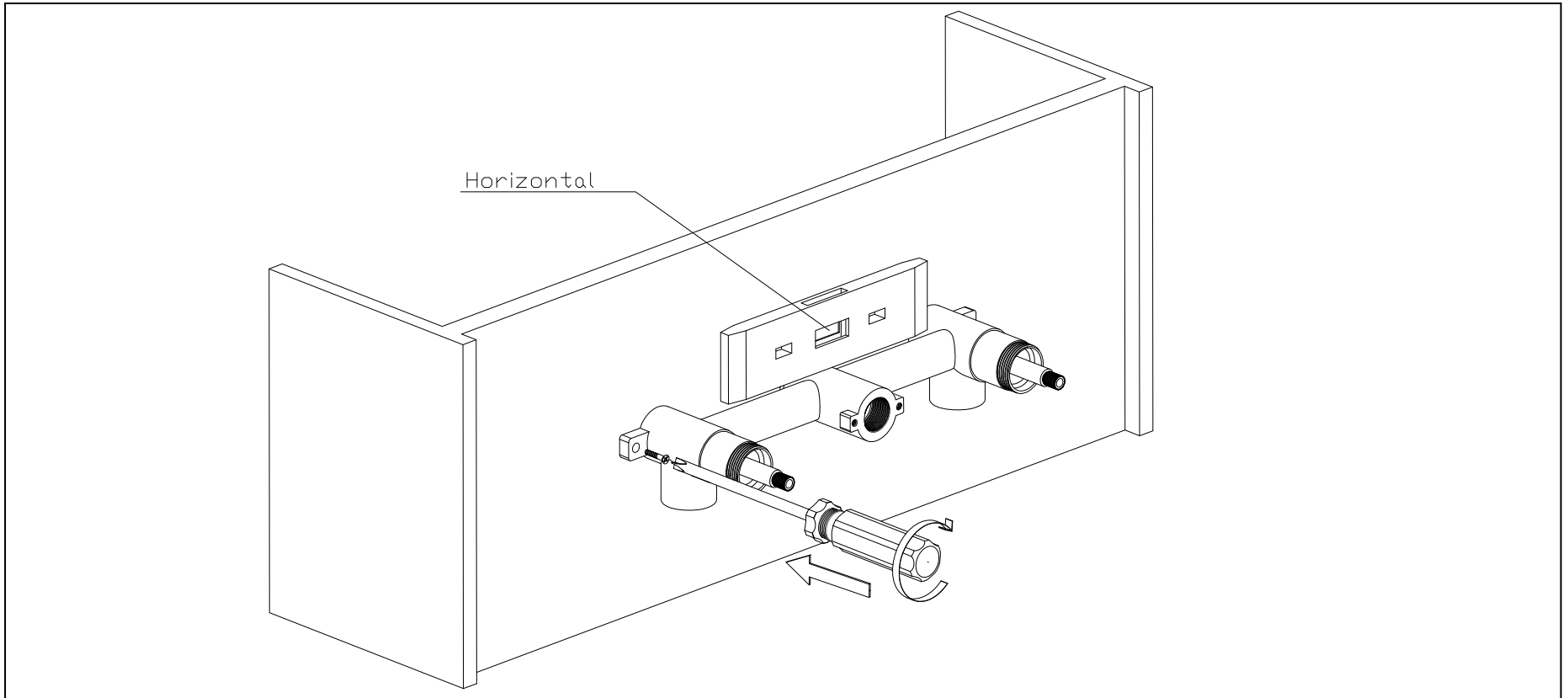
#### **4. VALVE TRIM INSTALLATION**

**4.1** Construct a mounting rack using wood as the material to prepare for the installation of the rough-in valve trim. Ensure that the face of the mounting board is positioned at least 2-9/16 inches (64.5 mm) and no more than 3-5/16 inches (84.5 mm) behind the finished wall surface.

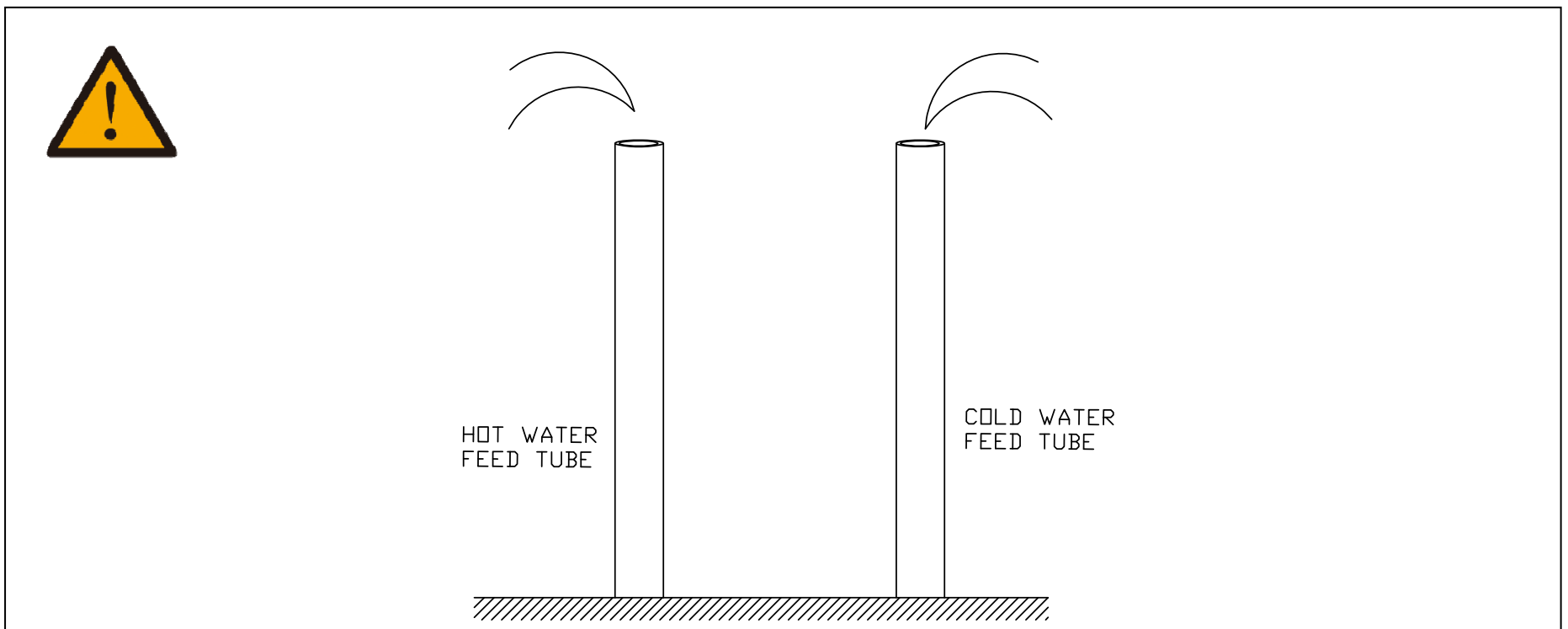


4.2 Secure the rough-in valve to the mounting board using screws. Tighten the screws with a Philips screwdriver.

**Notice:** Ensure that the valve is positioned horizontally.



4.3 Turn on your shut-off valve to clean the hot and cold water supply tubes. Allow the water to flush through the tubes for 3 to 5 minutes to clear out any dirt and debris. After cleaning, turn off the water supply.

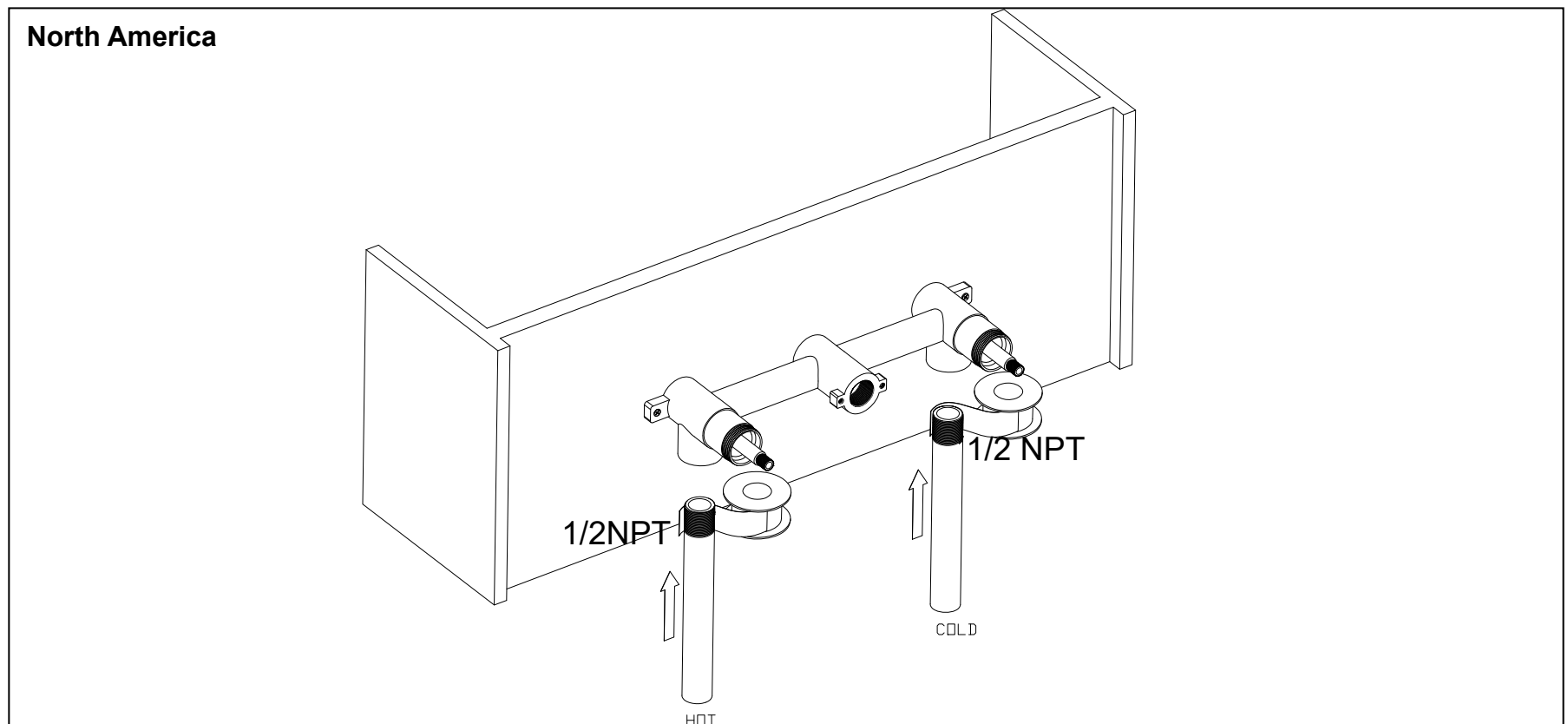


4.4 Apply Teflon tape to the threads of the tube inlet before connecting it to the rough-in valve. Wrap the Teflon tape clockwise around the threads to ensure a secure fit and prevent leaks.

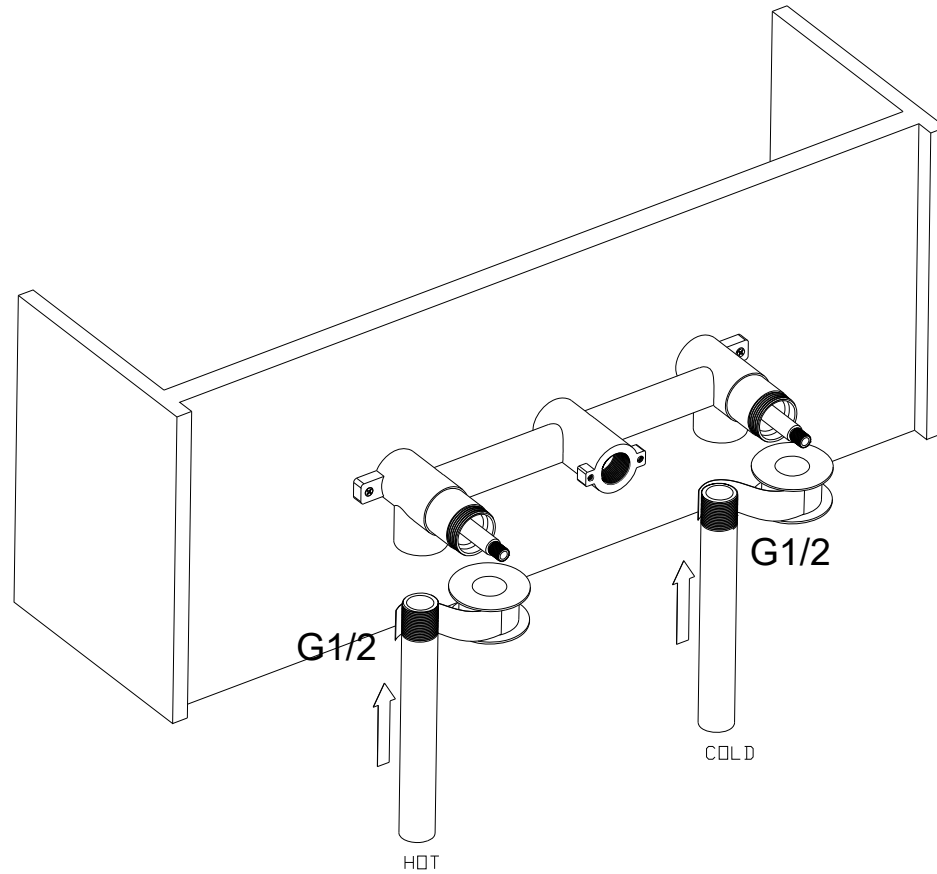
Thread Specifications:

For U.S. and Canada: Use NPT 1/2-14 threads.

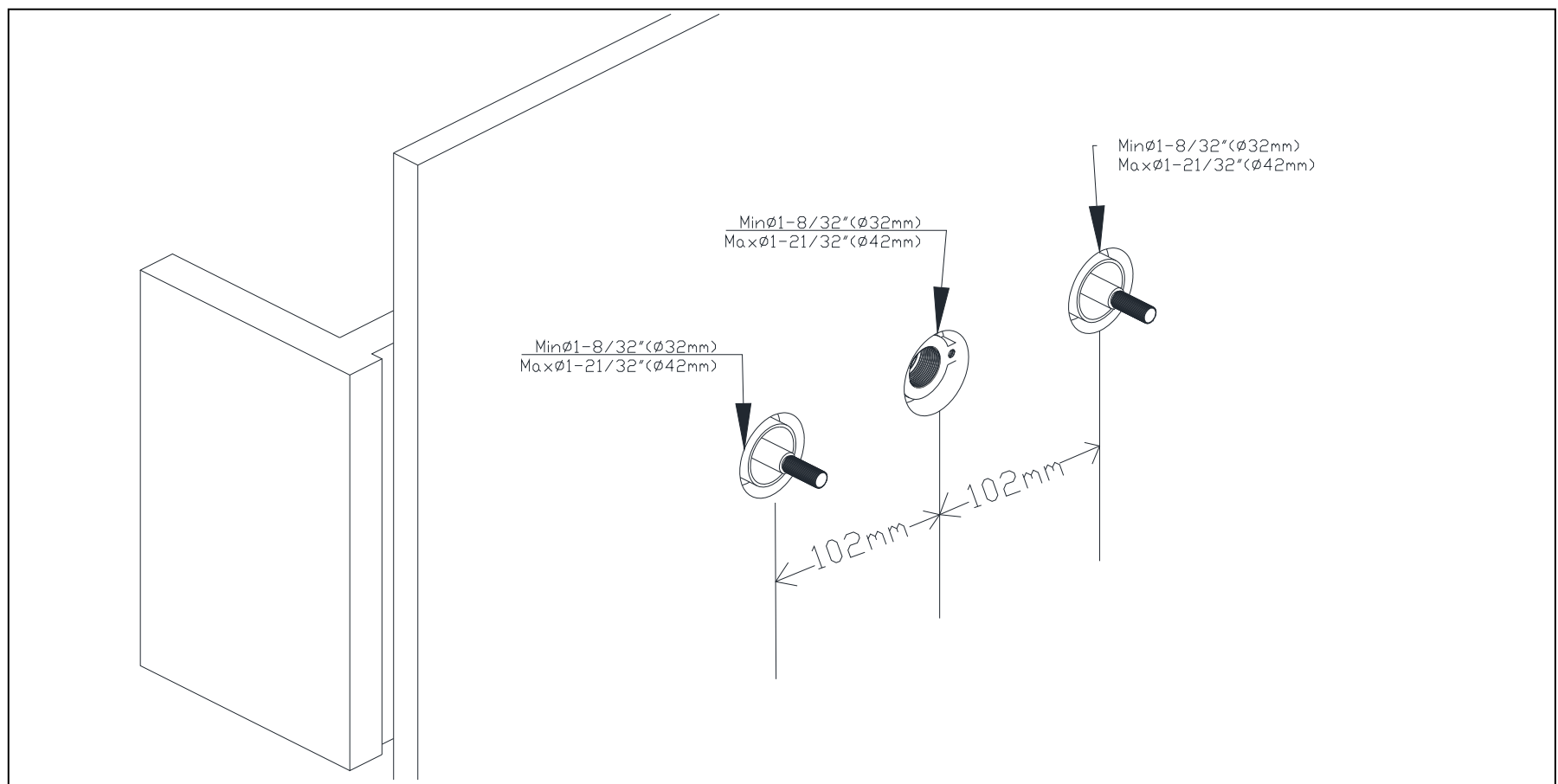
For EU and UK: Use G1/2" threads.



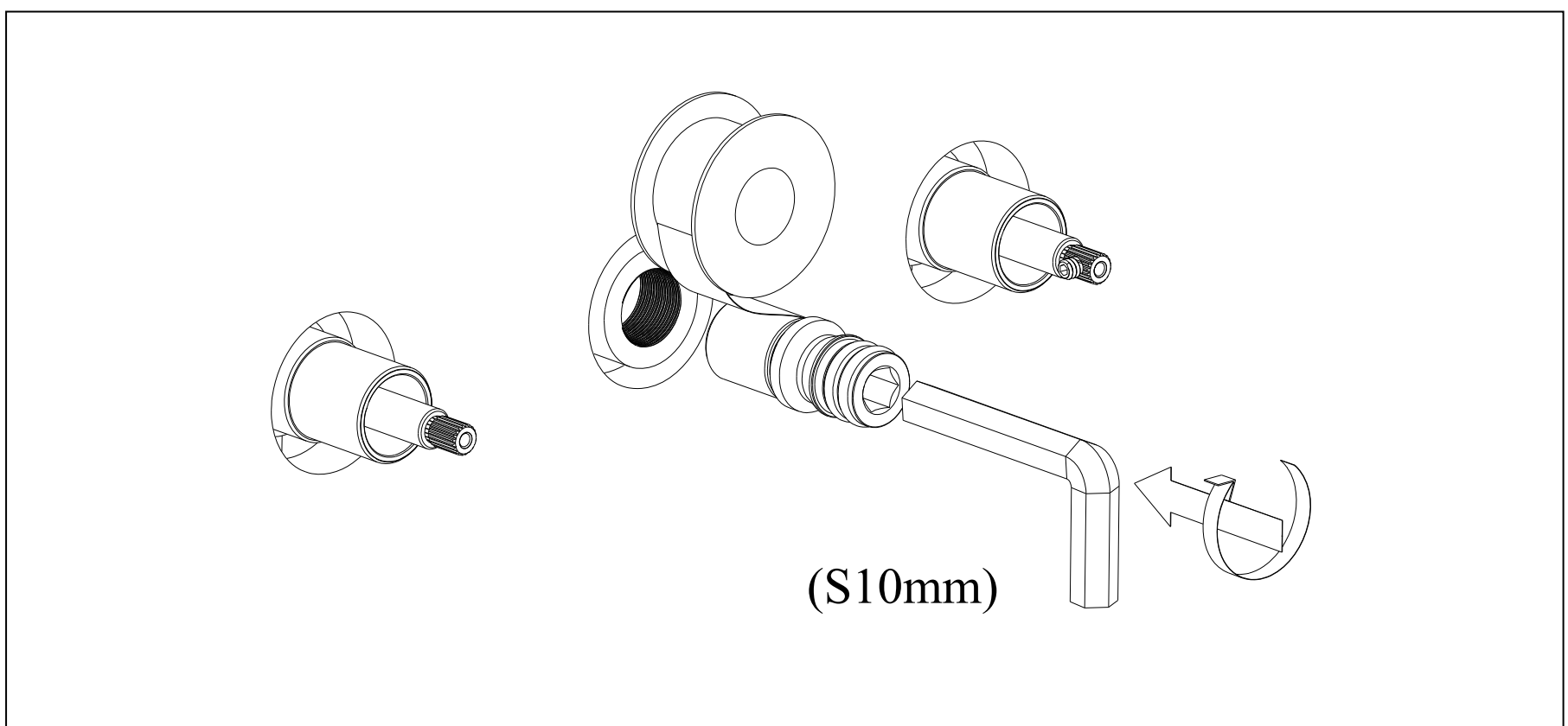
Europe



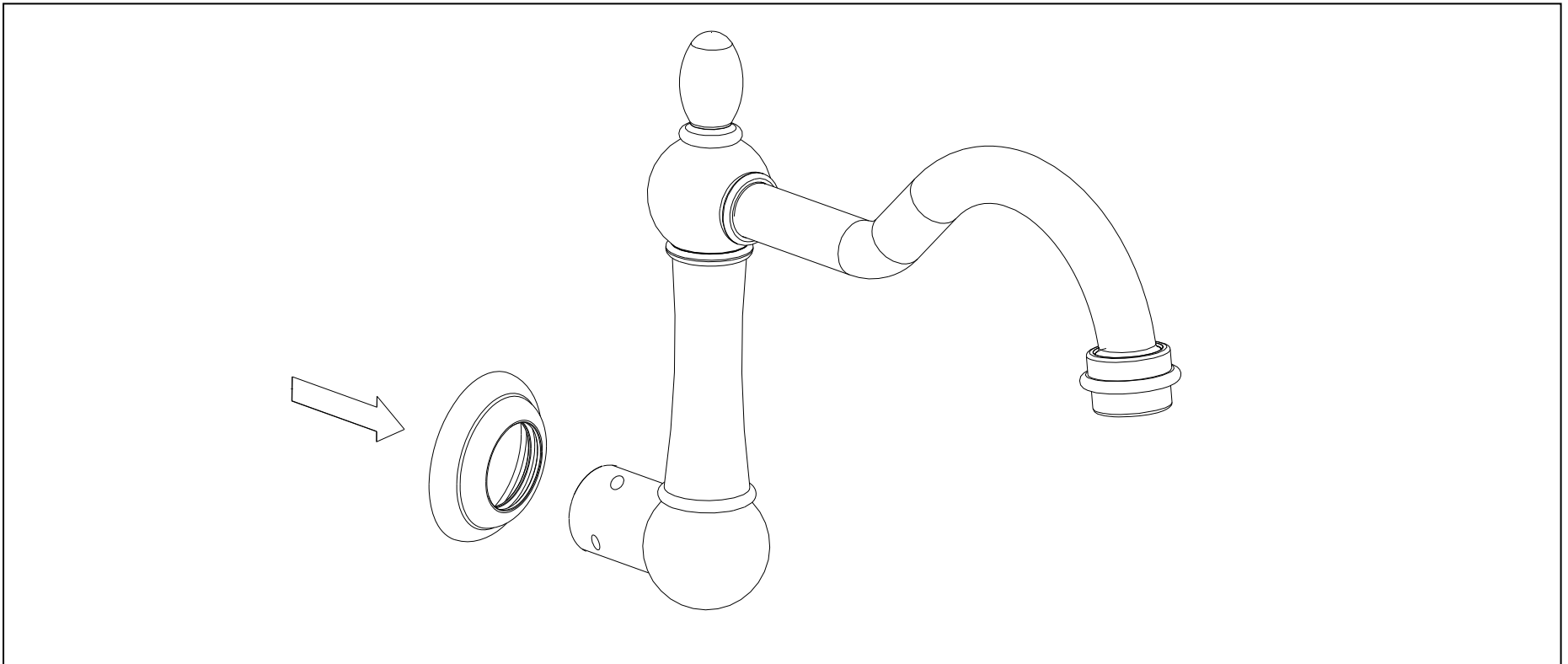
**4.5** Drill the installation holes in the finish wall according to the dimensions provided in the diagram below.



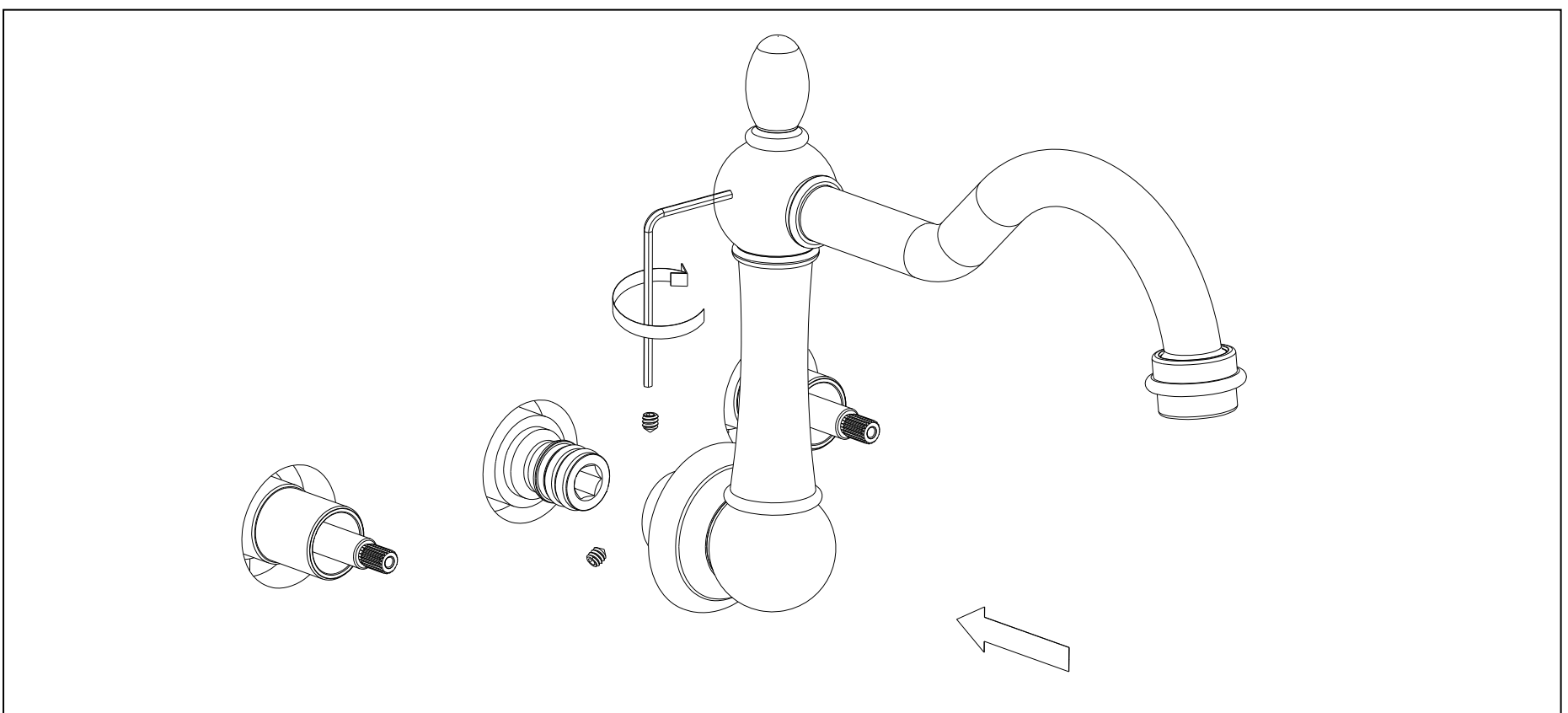
**4.6** Wrap Teflon tape around the thread of the spout supply nipple. Ensure you apply the tape in a clockwise direction to prevent it from unraveling when attaching the spout.



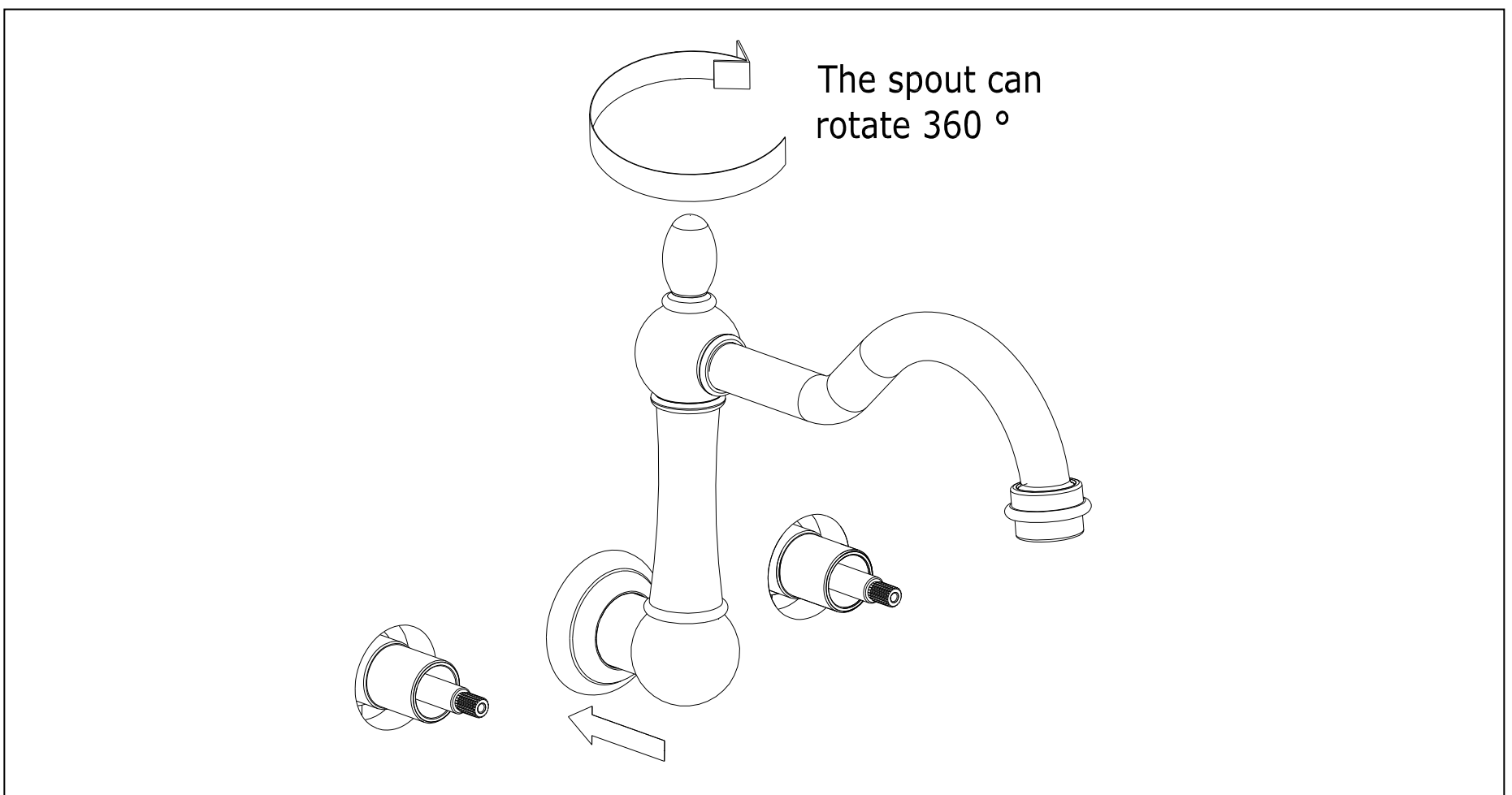
**4.7** Slide the flange onto the spout assembly from the rear end.



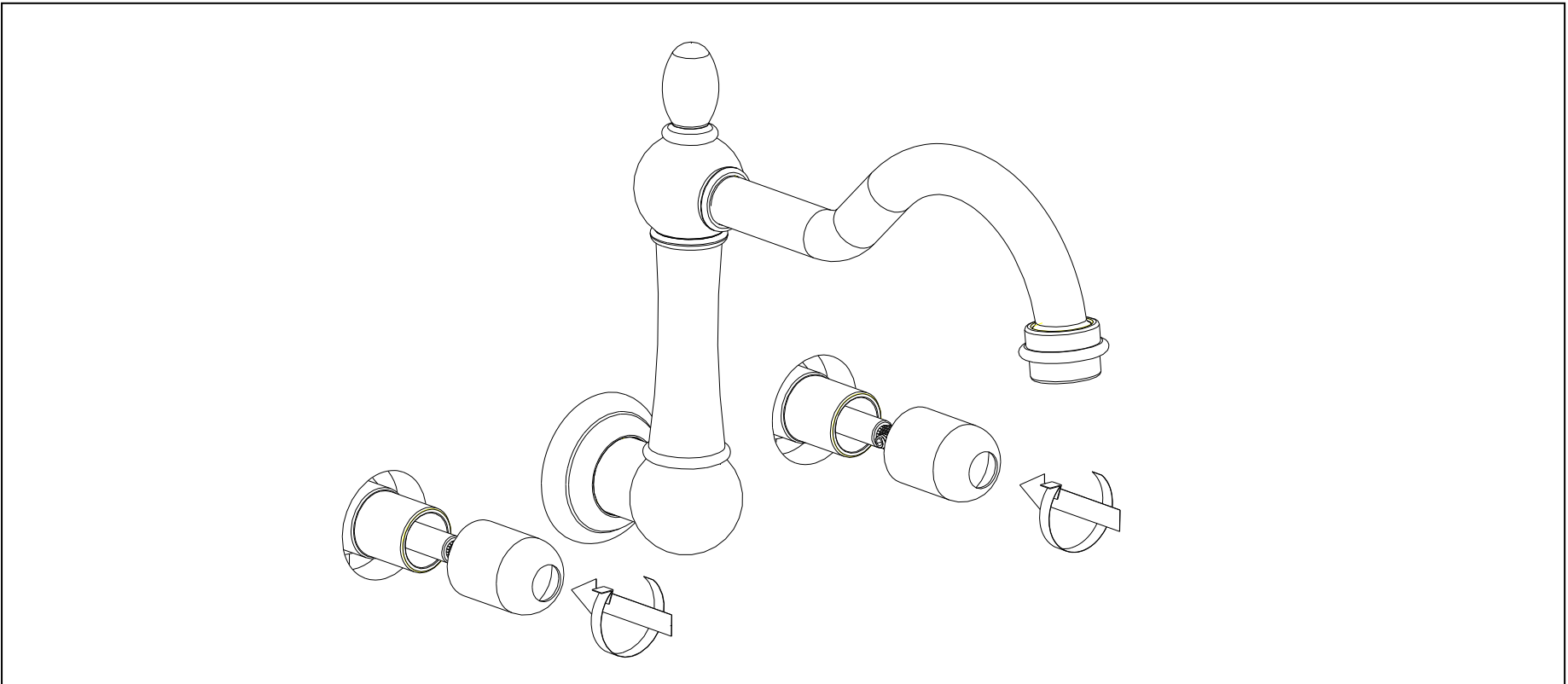
**4.8** Install the spout onto the rough-in valve's nipple and secure it using a screwdriver to tighten the two provided set screws.



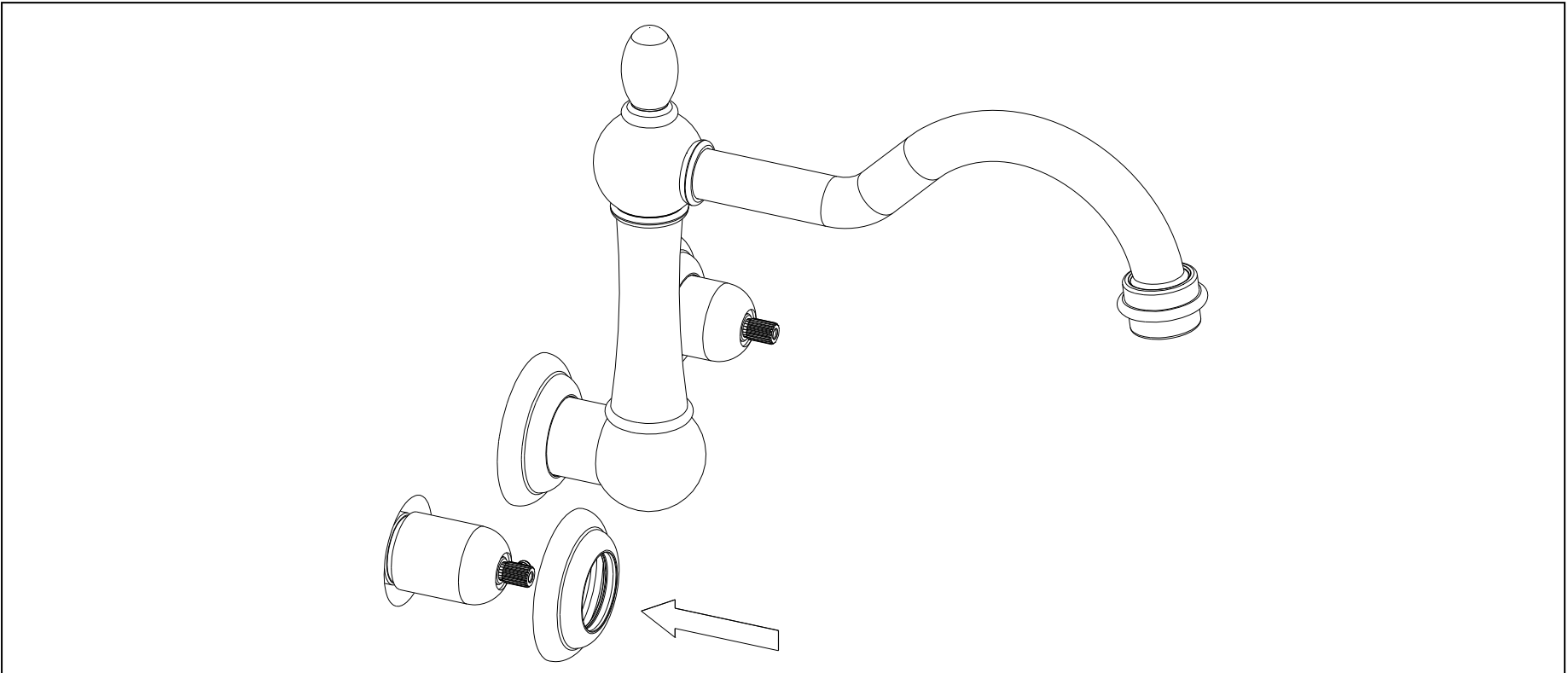
**4.9** Press the flange firmly against the finish wall and apply sealant around the perimeter of the flange to prevent water from seeping into the wall.



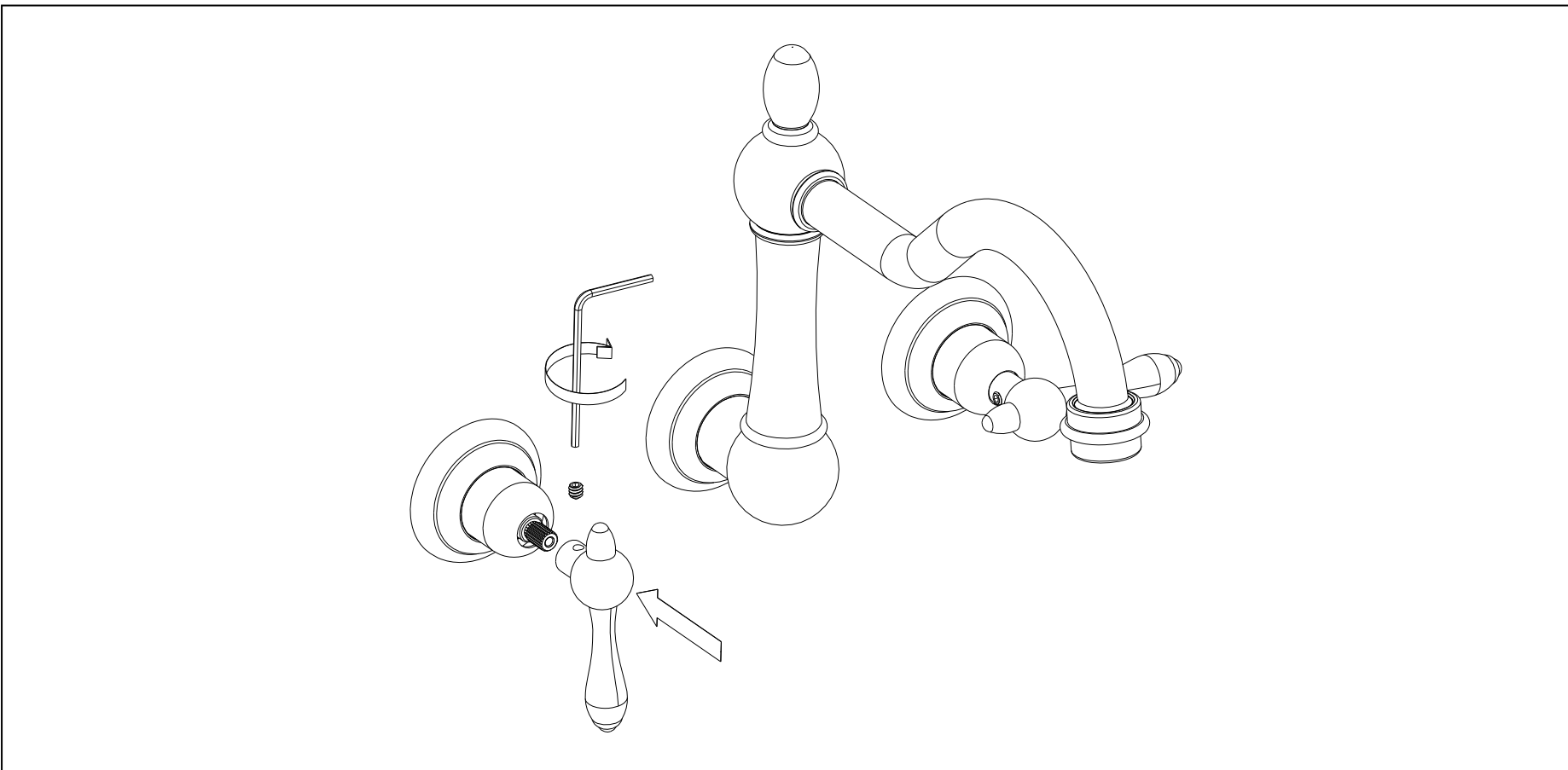
**4.10** Attach the cartridge sleeve to the cartridge adapter by aligning them properly and pressing them together until securely connected.



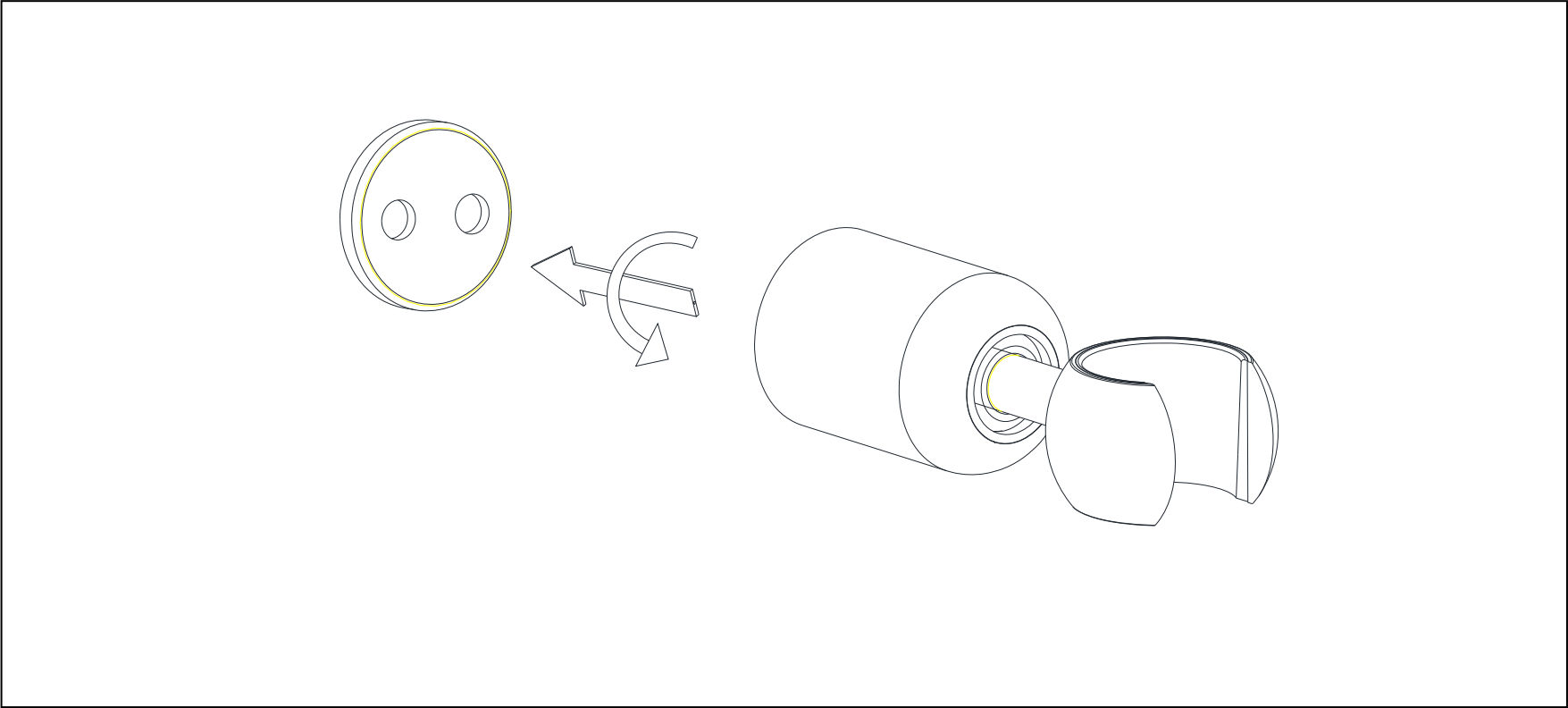
**4.11** Insert the escutcheon into the valve sleeve and press it firmly against the finish wall. Then, seal around the entire perimeter of the escutcheon with a suitable sealant to prevent moisture from penetrating into the wall.



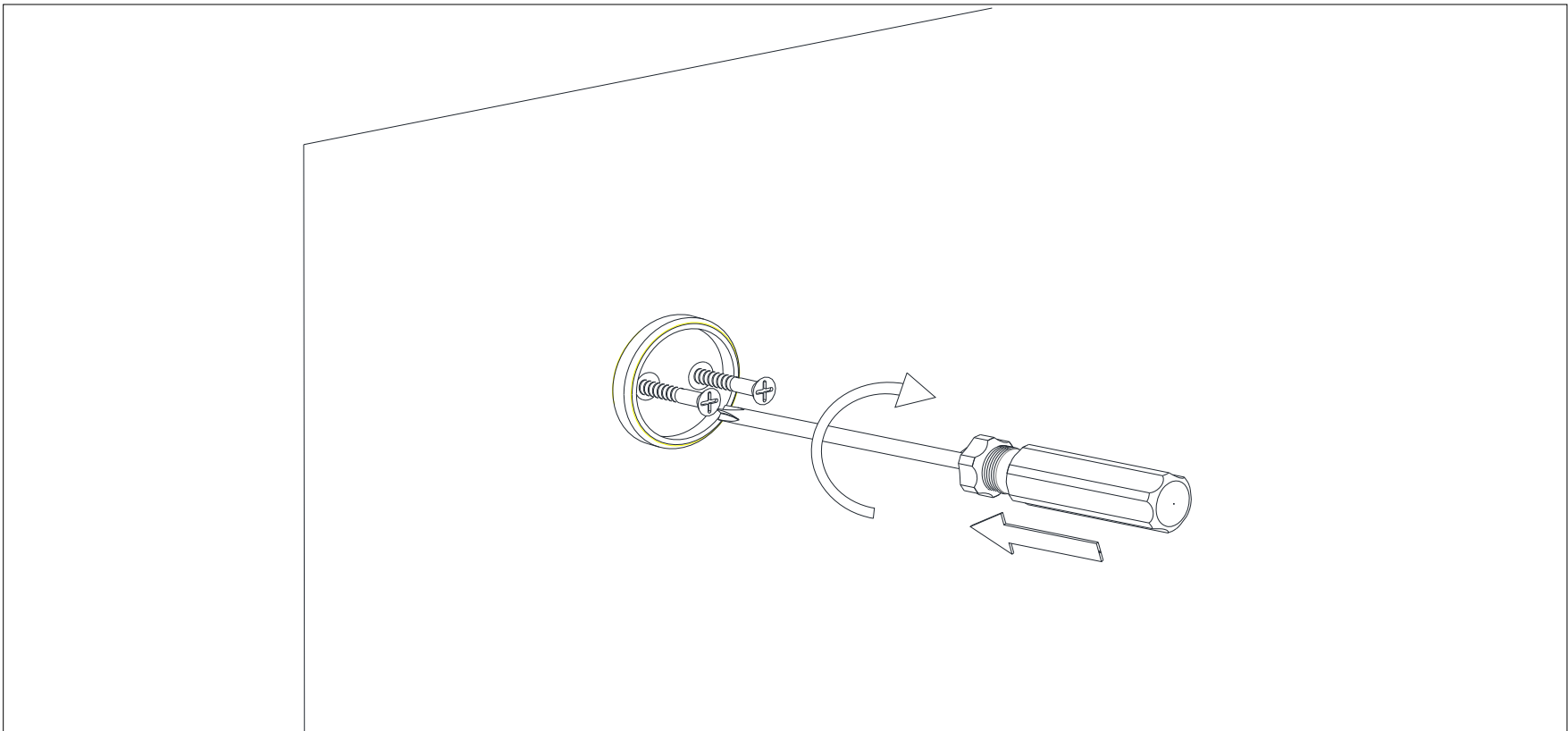
**4.12** Attach the handle to the cartridge stem and secure it using a screw. Tighten the screw with an Allen wrench until the handle is firmly in place.



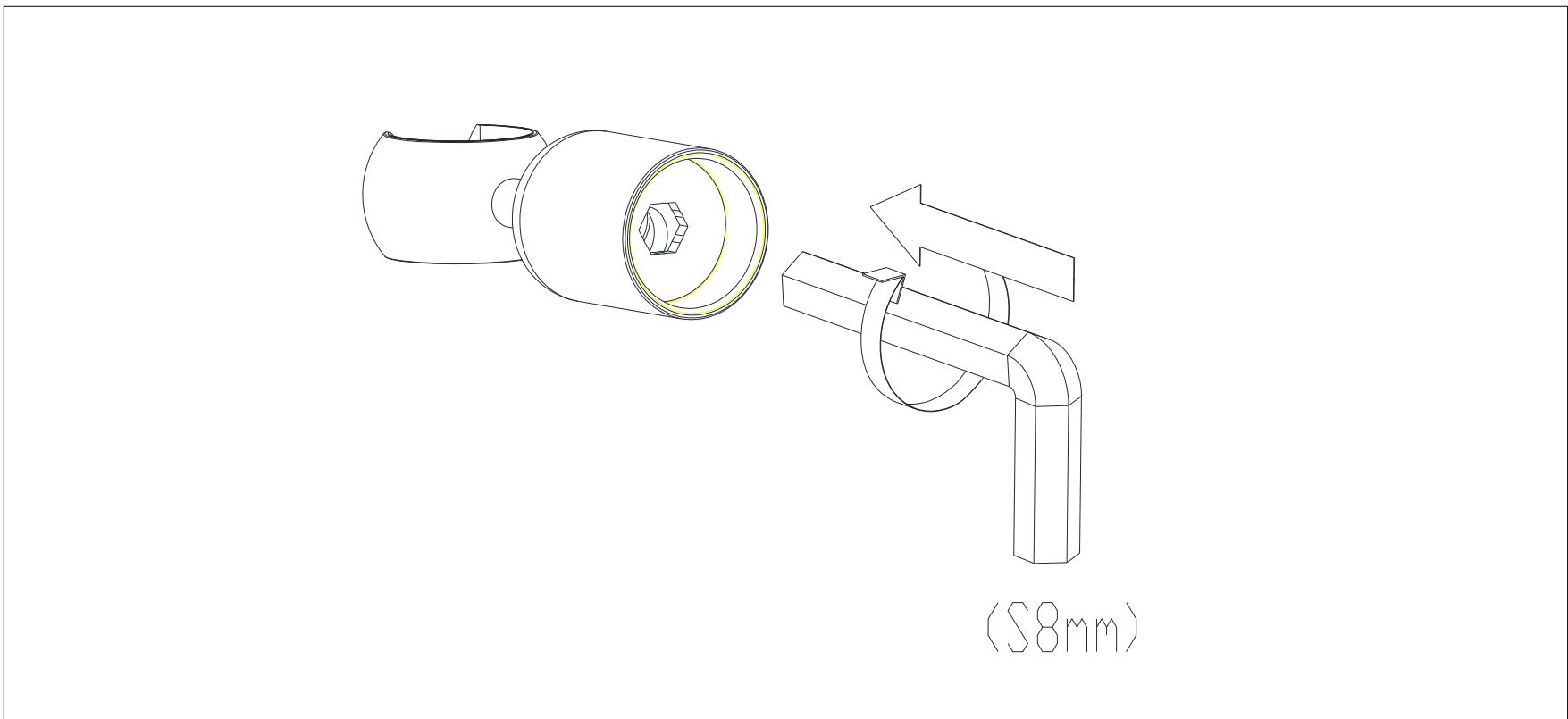
4.13 Remove the fixed base from inside the shower socket to prepare for the next step of the installation.



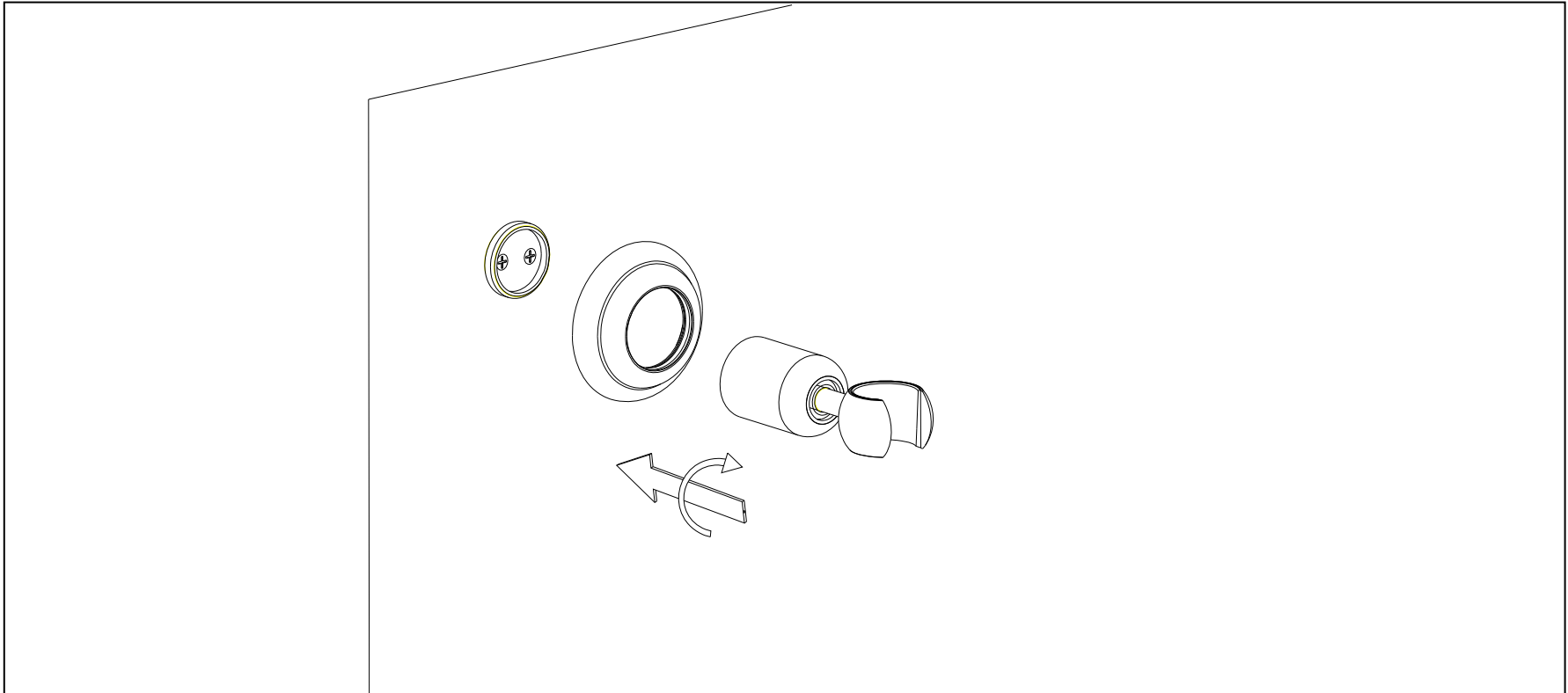
4.14 Position the fixed base at the desired installation location and secure it to the finish wall using screws.



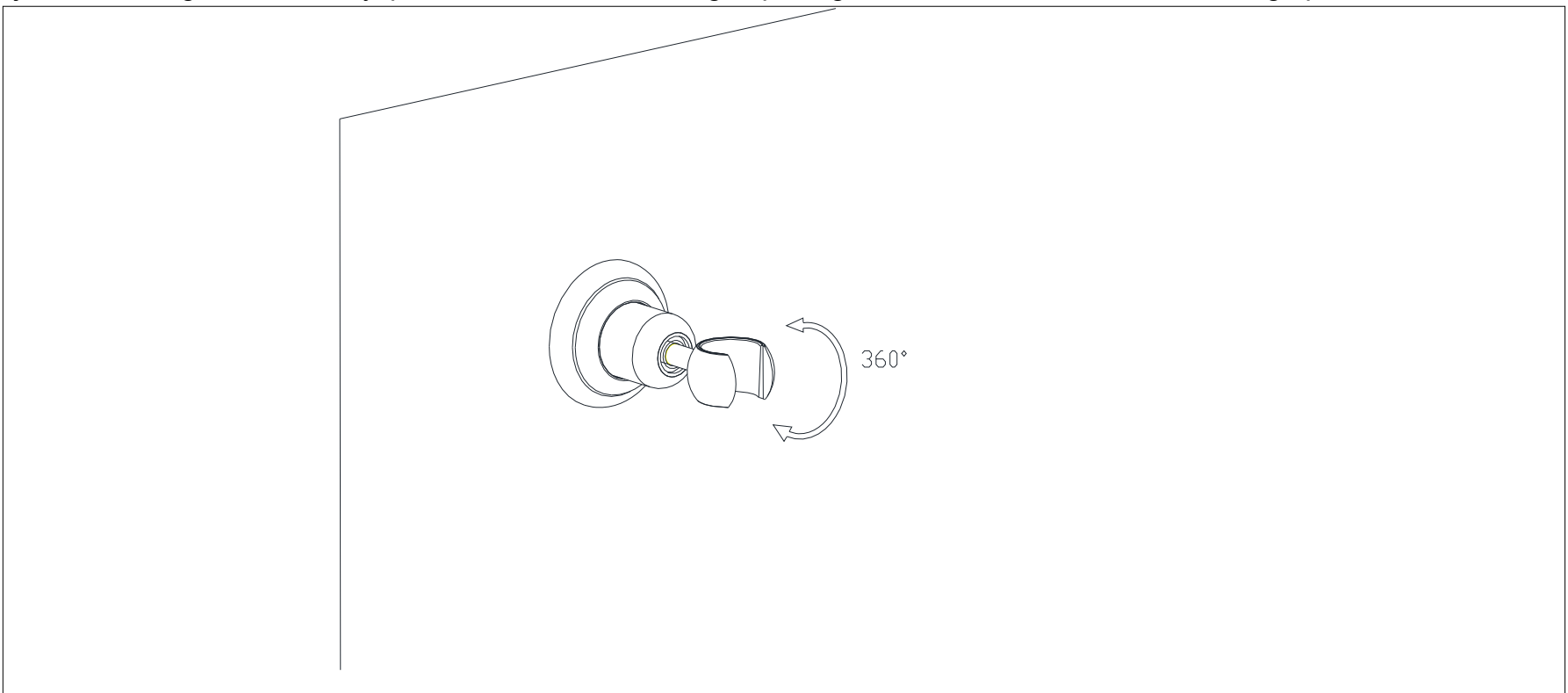
4.14 Adjust the shower socket to the desired tightness using an S8 hexagonal key if necessary.



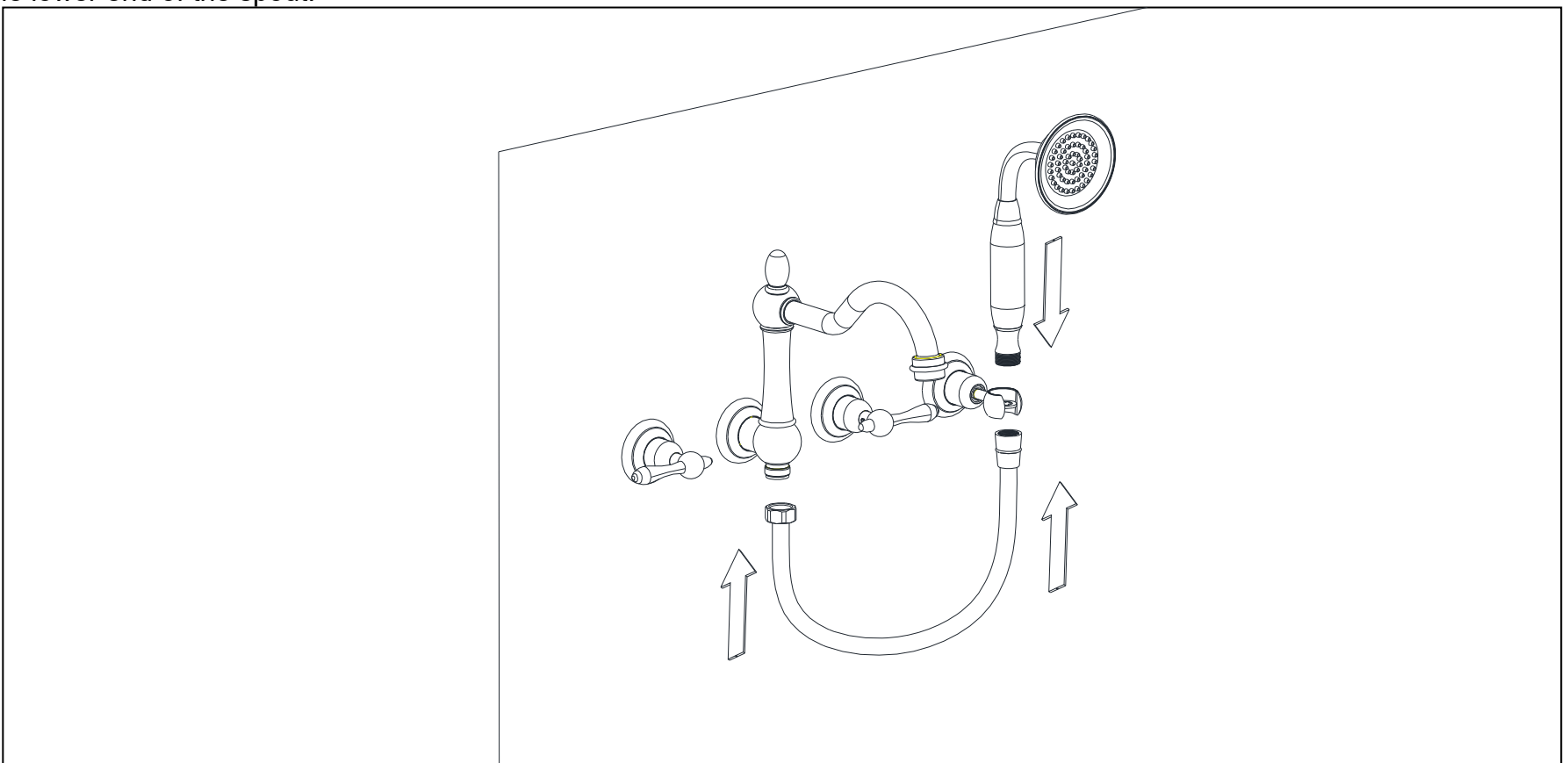
4.15 Push the shower bracket flange cover from back to front into the shower bracket, then rotate it to install onto the fixed base. Finally, press the flange cover tightly against the finish wall and seal around the edges.



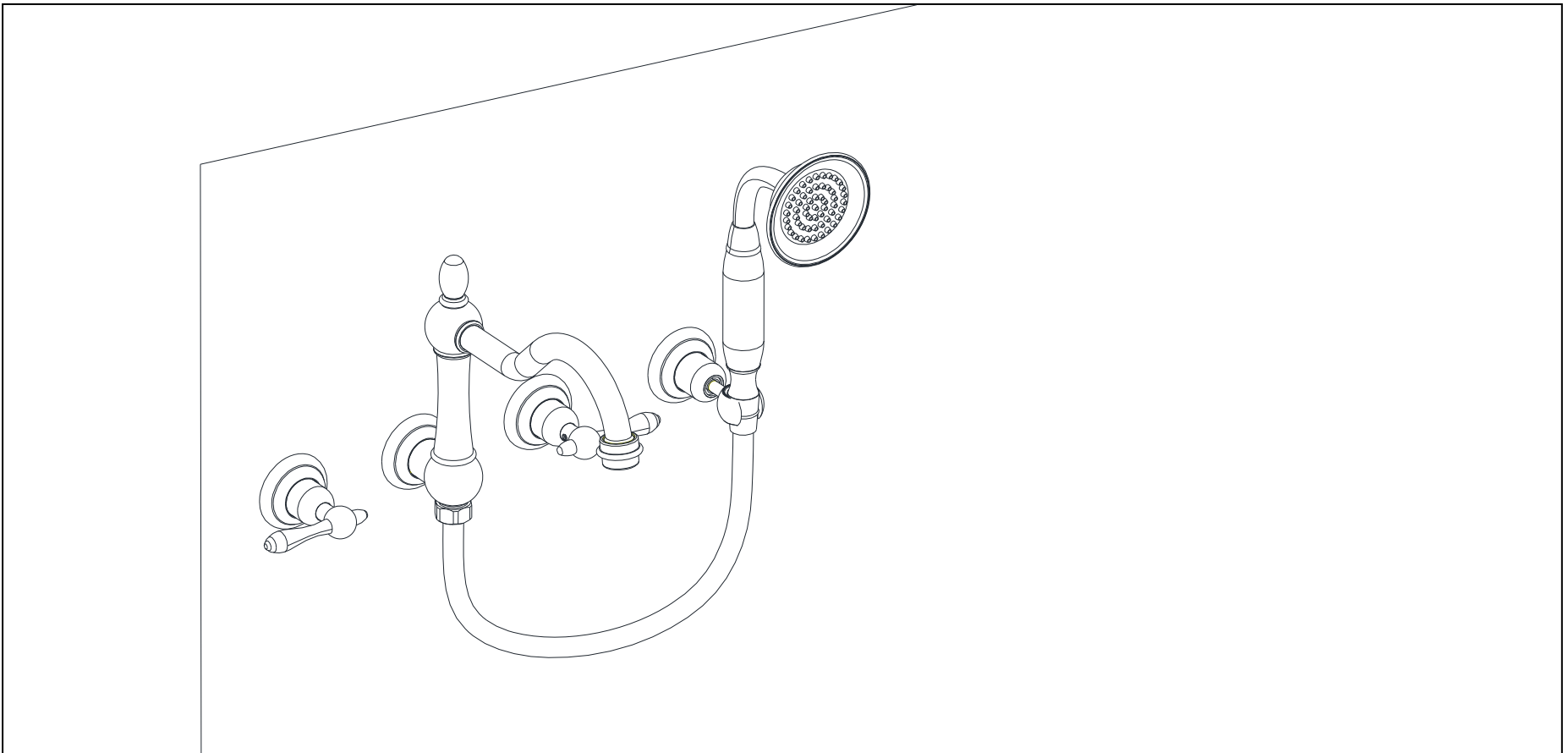
4.16 After installation, the handshower holder can rotate 360 degrees. You can also swing the handshower holder up and down to adjust the tilt angle. Additionally, please ensure that the large opening of the handshower holder is facing upwards.



4.17 Connect the tapered connector of the shower hose to the water inlet of the handheld shower, and attach the hexagonal nut to the lower end of the spout.



#### 4.18 ASSEMBLE FINISHED.



### **5. Instructions for Using Diverter.**

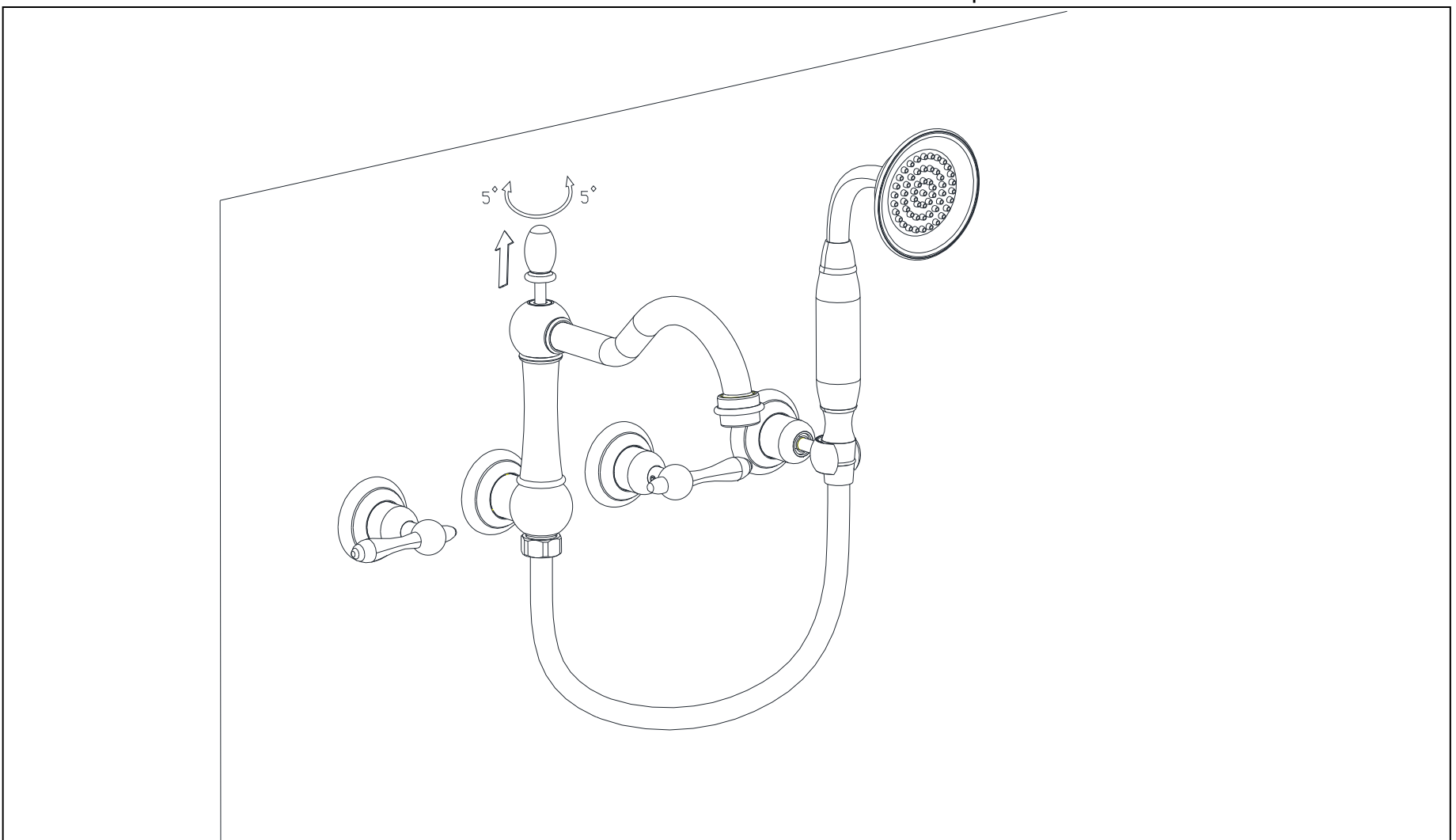
#### (1) Switching to Hand Shower:

**Pull Up:** Grasp the pull cap on the diverter and pull it upwards. This action will switch the water flow to the hand shower.

**Lock the Mode:** To lock the diverter in hand shower mode, after pulling it up, rotate it approximately 5 degrees to the left or right. This prevents the diverter from automatically returning to its original position.

#### (2) Switching Back to Bathtub Spout:

**Reset Position:** To switch the water flow back to the bathtub spout, rotate the pull cap in the opposite direction of your initial lock rotation and then release it. This will reset the diverter to direct water to the bathtub spout.



### **6. INSPECTION**

**6.1** Turn on hot and cold water supply and check all connection for ensuring no leaking anywhere.

### **INSTALL FINISH**

## CLEARING RECOMMENDATION FOR SUMERAIN PRODUCTS

Modern lavatory faucets, kitchen faucets, and showers consist of very different materials to comply with the needs of the market with regard to design and functionality. To avoid damage and returns, it is necessary to consider certain criteria when cleaning.

### Cleaning Materials for faucets and showers

Acids are a necessary ingredient of cleaning materials for removing lime, however please pay attention to the following points when cleaning faucets and showers:

- Only use cleaning materials which are explicitly intended for this type of application.
- Never use cleaning materials which contain hydrochloric, formic, phosphoric, or acetic acid, as they cause considerable damage.
- Never mix one cleaning material with another.
- Never use cleaning materials or appliances with an abrasive effect, such as unsuitable cleaning powders, sponge pads, or micro fiber cloths.

### Cleaning instructions for faucets and showers

Please follow the cleaning material manufacturer's instructions. In addition, pay attention to the following points:

- Clean the faucets and showers as and when required.
- Use the amount of cleaning product and the amount of time recommended by the manufacturer. Do not leave the cleaner on the fixture longer than necessary.
- Regular cleaning can prevent calcification, if scale deposits are noticed on the faucet surface or the spout, you can clean it by a commercial limescale remover, such as Lime-Away® or CLR®. Dilute the remover according to the label instructions.
- The faucets might have some rusty if your faucet under hard water condition, please rub it with aluminum foil dipped in water until the surface is nice and smooth, and wipe it use a small amount of chrome polish or maybe something like car wax (such as Meguiar®, Turtle Wax®) or polish.
- For stainless steel faucet and spout both made of solid stainless, normally this finish has not protective coating on it (in particular waterfall spout inside), stainless steel is by its material nature very tarnish resistant, but by no means tarnish or stain proof. This finish might oxidize naturally over time and react to its environment. Keep your stainless fixture wiped clean and dry and use only a cleaner specifically made for stainless steel (such as Weiman®, CLR®).
- When using spray cleaners, spray first onto a soft cloth or sponge, never spray directly onto the faucet as droplets can enter openings and gaps and cause damage.
- After cleaning, rinse thoroughly with clean water to remove any cleaner residue.

### Important

Residues of liquid soaps, shampoos, and shower foams can also cause damage, so rinse with clean water after using.



**Please note:** if the surface is already damaged, the effect of cleaning materials will cause further damage.

**Components with damaged surfaces must be replaced or injury could result.  
Damage caused by improper treatment is not covered under the warranty.**

**SUMERAIN®**  
SUMERAIN INTERNATIONAL GROUP INC

**Address:** 1226 NORTH KING ST NUM 522  
WILMINGTON, DE 19801  
United States

**Tel:** +1(866)203-0866

**Web:** <http://www.sumerain.com>

**E-mail:** [supports@sumerain.us](mailto:supports@sumerain.us)

**HONGKONG SUMERAIN SANITARY INDUSTRY CO., LIMITED**

**Address:** FLAT/RM 3B 3/F BANK TOWER  
NOS.351&353 KING'S ROAD  
NORTH POINT  
HK

**Tel:** +86-750-2731579

**E-mail:** [supports@sumerain.com](mailto:supports@sumerain.com)

**SUMERAIN EUROPE SUPPORT**

**Address:** Flottwellstr. 15  
10785 Berlin,  
Deutschland

**Tel:** +49 (0)30/23975898

**E-mail:** [de@sumerain.com](mailto:de@sumerain.com)