

ATTENTION

If there is any missing, please kindly send us messages to let us know the part number of missing part regarding to the first page of instructions.

Please also provide your full address, recipient name and contact phone number so that we can send replacement to you as soon as possible.

Children have died from furniture tipover. To reduce the risk of furniture tipover. ALWAYS install tipover restraint provided.



BEFORE STARTING

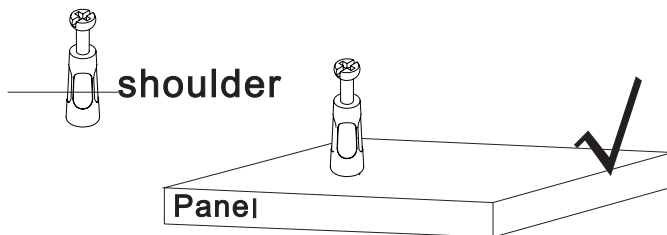
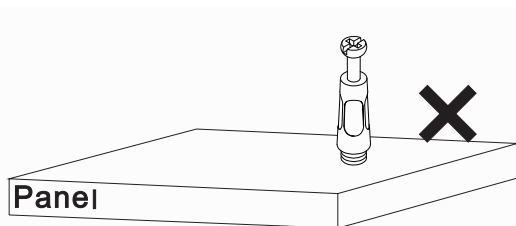
Before Using Product

- Read each step carefully before starting. It is very important that each step is performed in the correct order. If these steps are not followed in sequence, assembly difficulties will occur.
- Make sure all parts are included.
- Work in a spacious area and near where the unit will be used, preferably on a carpet, or use a piece of the cardboard packaging to protect your floor and product.
- For a smooth assembly process, we suggest you keep a lite tightness for all the screws during assembly. After the whole product is assembled, firmly tighten all the screws.

WARNING

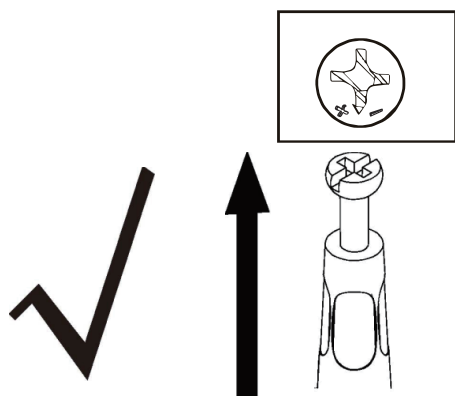
- Do not allow children to climb on unit.
- Avoid sharp objects or corrosive chemicals to prevent damage to the product.
- During assembly, keep parts and packaging materials away from children and pets as there could be potential injury and choking hazards.
- Please make sure that all objects are removed before moving the assembled unit.
- The unit must be team lifted, not dragged or pushed. Failure to do so could cause instability, product collapse, and/or serious injury.
- Be careful when using power tools to assemble your furniture. Power tools may strip or damage the parts.

QUICKFIT

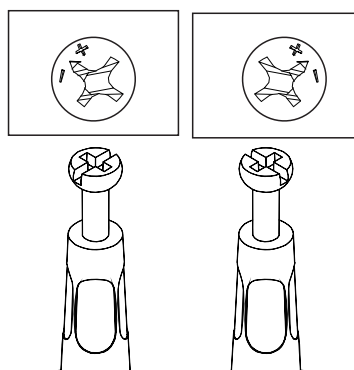


Tighten quickfit until shoulder is flush with panel. Do not overtighten or undertighten.

CAM LOCK

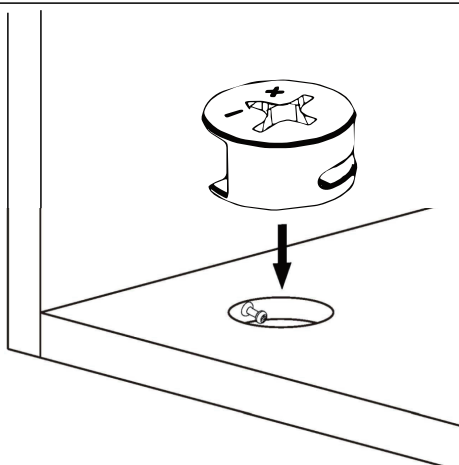


CORRECT

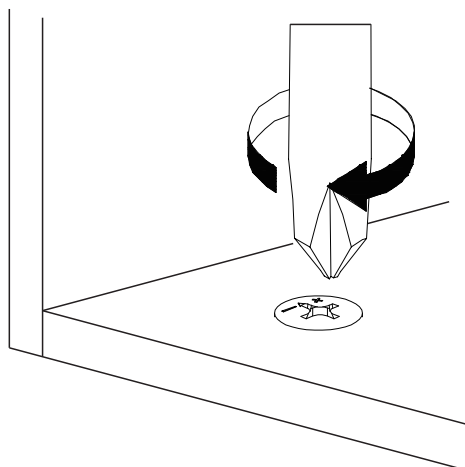


WRONG

When fitting cam lock, ensure starting position is correct before you insert cam lock to quickfit.



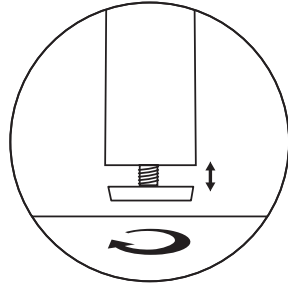
Quickfit head should be in the center of the cam lock. When the two panels are joined. Cam lock should be inserted before quickfit.



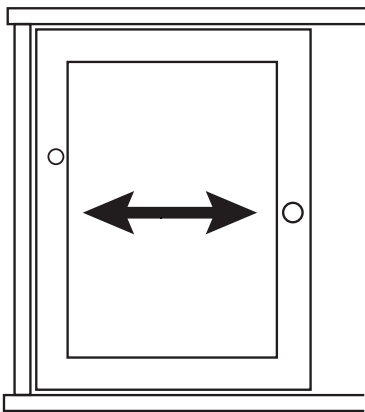
Turn cam lock clockwise to tighten.

Adjusting the doors

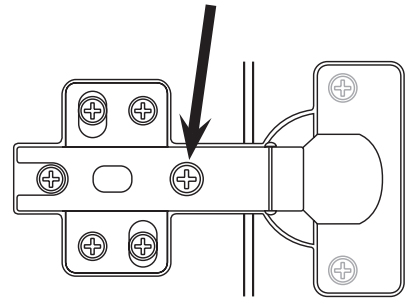
IMPORTANT-The furniture **MUST** be level on a flat, solid floor surface for the doors to work properly. Remove all items from furniture, then turn the leveling feet under the cabinet to make sure the furniture is level. Once the furniture is level, align the doors as shown for proper operation.



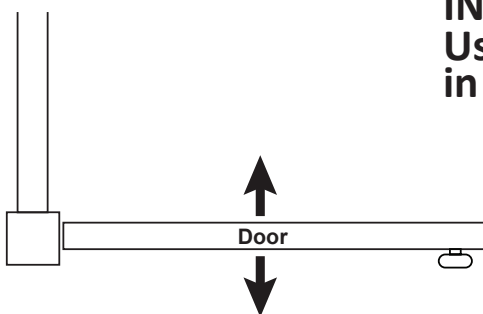
FRONT VIEW



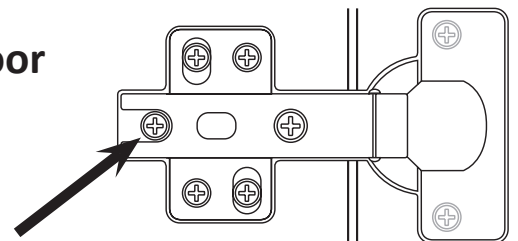
LEFT AND RIGHT
Use screw to adjust the gaps at left and right of the door.

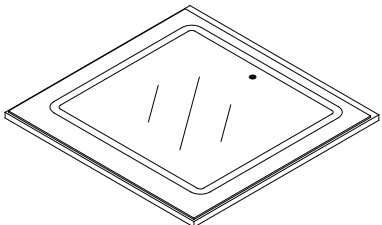
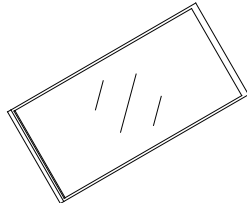
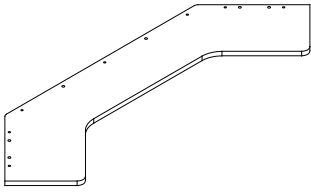
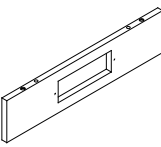
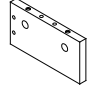
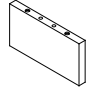
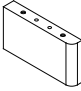
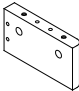
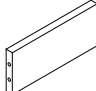
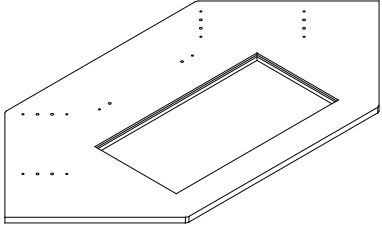
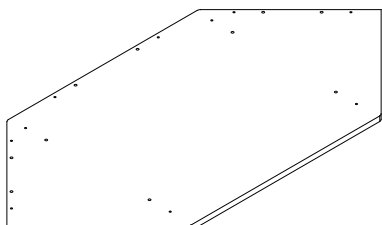
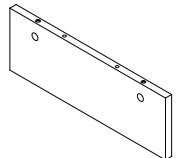
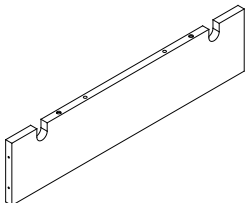
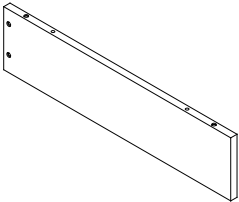
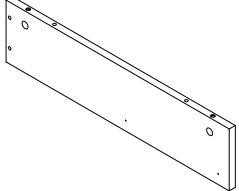


TOP VIEW



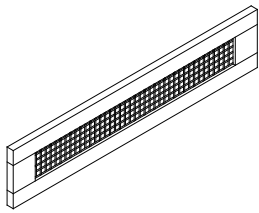
IN AND OUT
Use screw to move the door in or out.



<p>1 x1</p> 	<p>2 x2</p> 	<p>3 x1</p> 
<p>4 x1</p> 	<p>5 x1</p> 	<p>6 x1</p> 
<p>7 x1</p> 	<p>8 x1</p> 	<p>9 x2</p> 
<p>10 x1</p> 	<p>11 x1</p> 	<p>12 x2</p> 
<p>13 x1</p> 	<p>14 x1</p> 	<p>15 x1</p> 

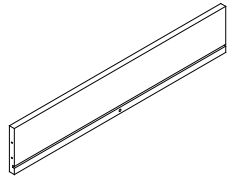
16

x1



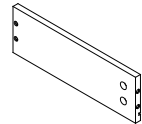
17

x1



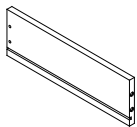
18

x1



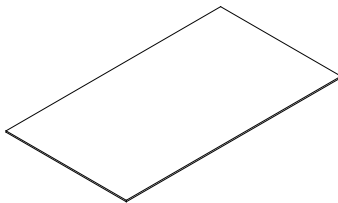
19

x1



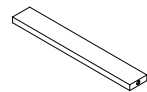
20

x1



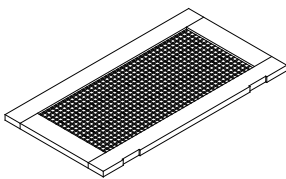
21

x1



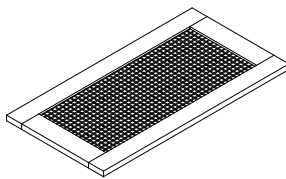
22

x1



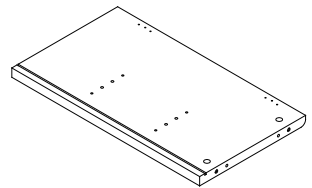
23

x1



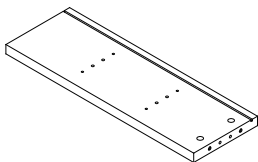
24

x1



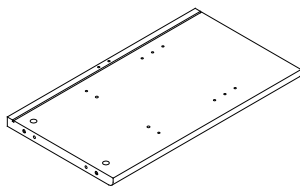
25

x1



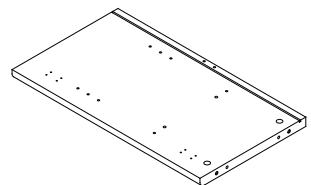
26

x1



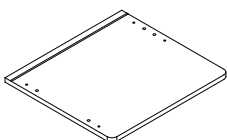
27

x1



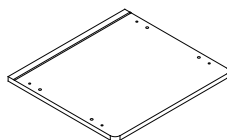
28

x1



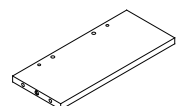
29

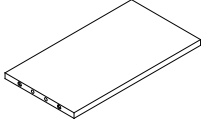
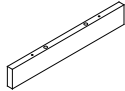
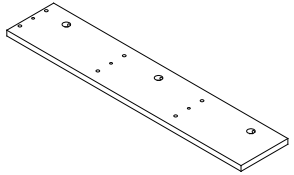
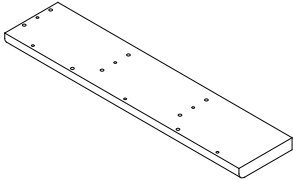
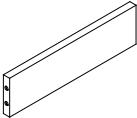
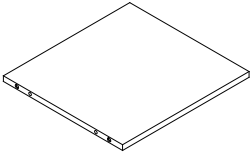
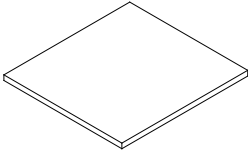
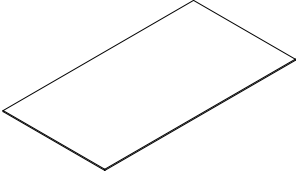
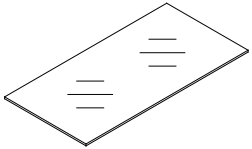
x1

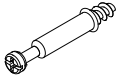

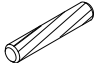
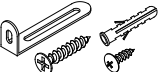

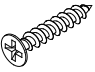

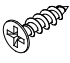
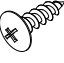
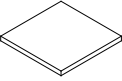
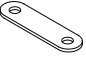
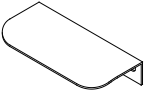

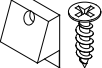
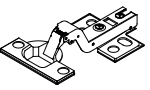
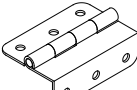
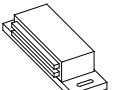


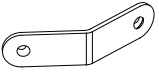

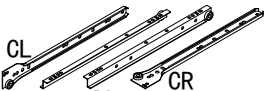
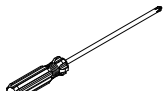


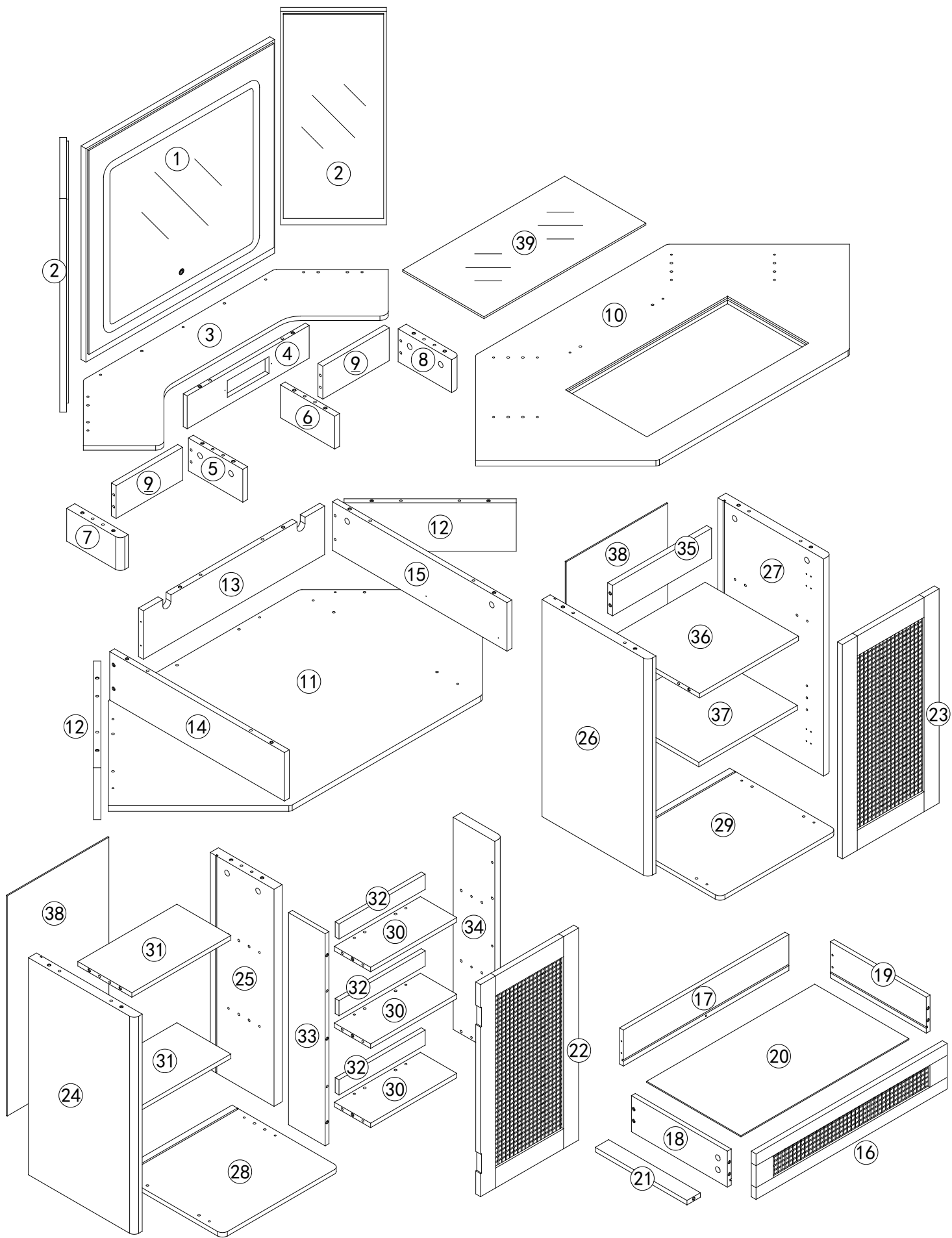
30

x3

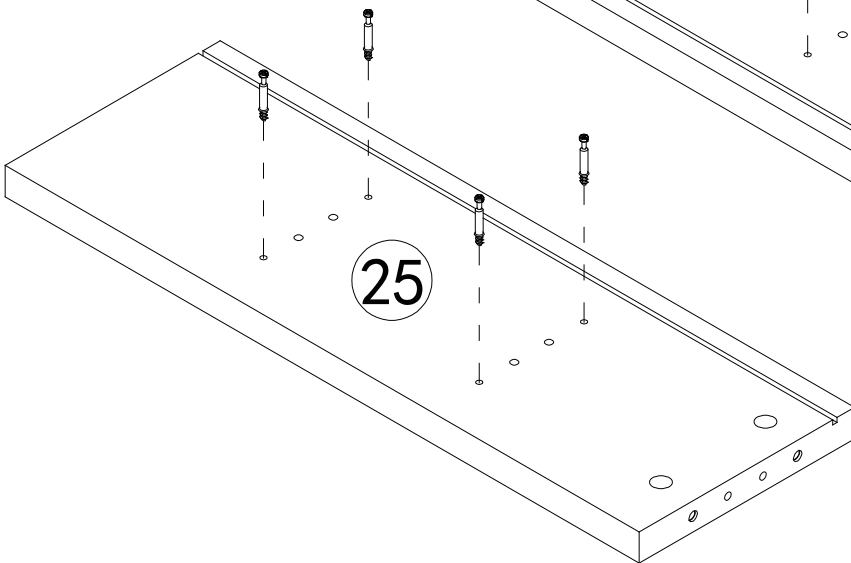
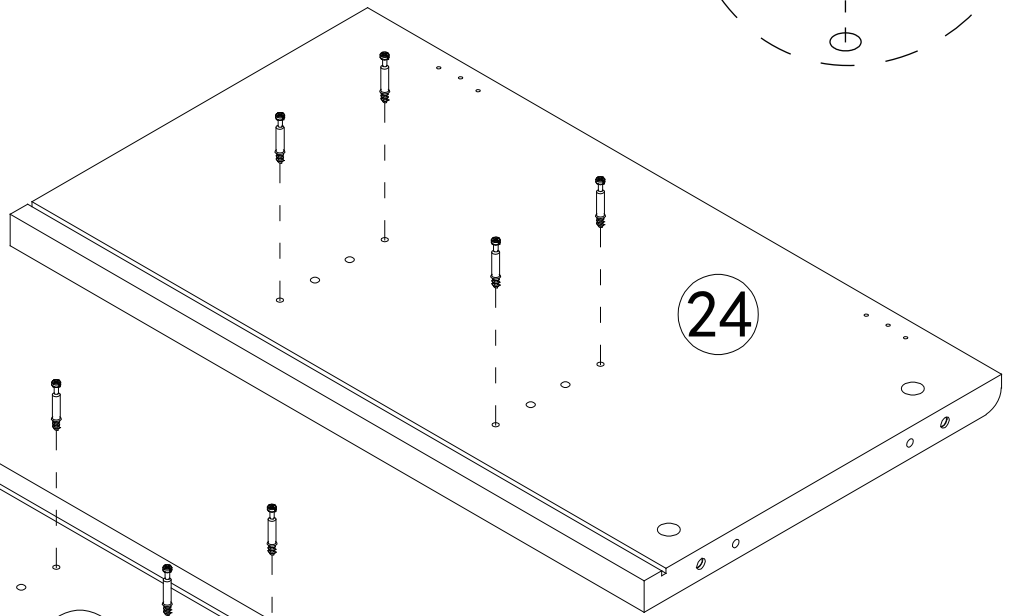
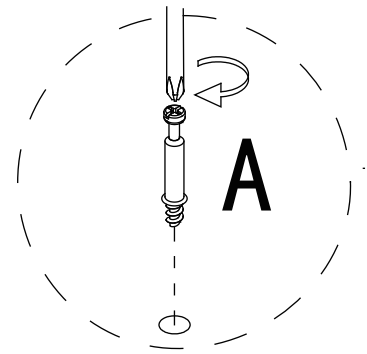
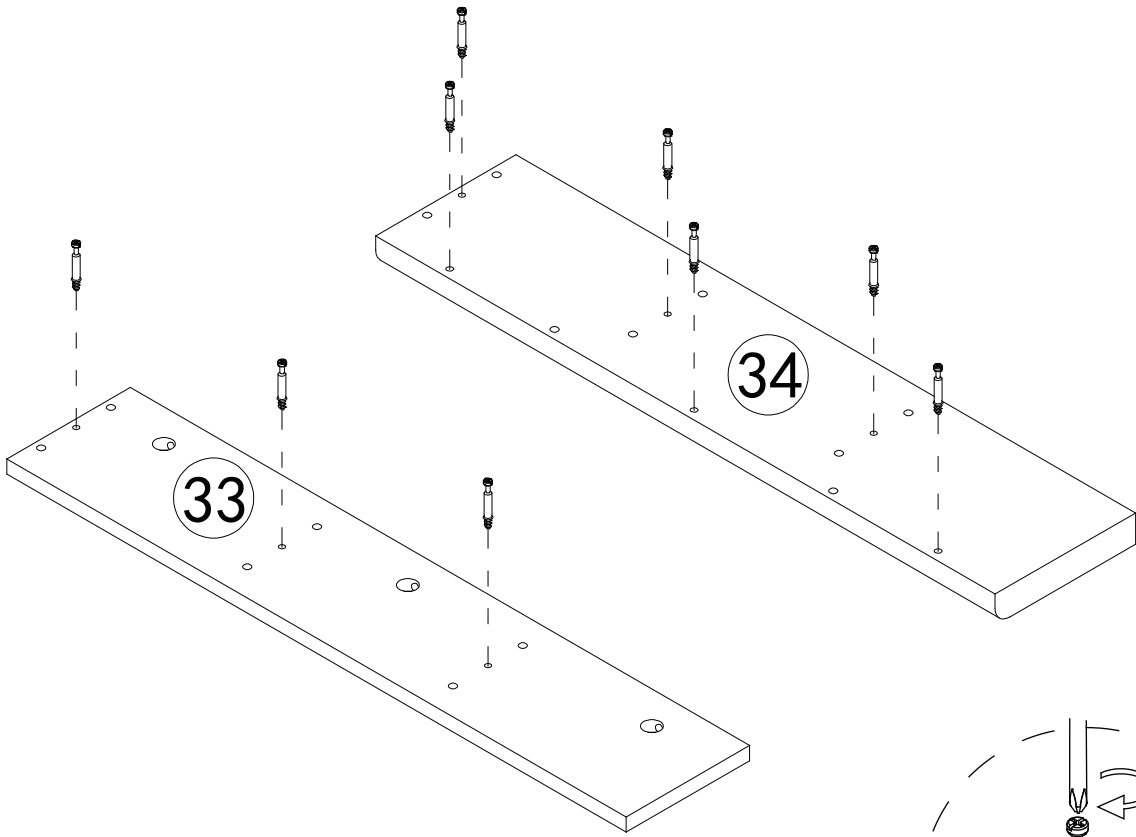



<p>31 x2</p> 	<p>32 x3</p> 	<p>33 x1</p> 
<p>34 x1</p> 	<p>35 x1</p> 	<p>36 x1</p> 
<p>37 x1</p> 	<p>38 x2</p> 	<p>39 x1</p> 

- | | | | | | | |
|--|--|--|--|--|--|--|
| 
ø6x35MM
Ax68+4 | 
ø15x10MM
Bx68+4 | 
ø6x30MM
Cx104+4 | 
M4x40mm M4x12mm
Dx2 | 
M3x12mm
Ex16+1 | 
M4x35mm
Fx43+4 | 
M3x14mm
Gx2 |
| 
M4x14mm
Hx24+2 | 
M4x14mm
Ix4 | 
30x30mm
Jx8 | 
M45x12x1.5mm
Kx1 | 
96mm
Lx3 | 
M17x14x12mm
Mx4 | 
M3x16mm
Nx8 |
| 
ø35MM
Ox2 | 
M50x22x18mm
Px2 | 
M46x17x13mm
Qx1 | 
M3x12mm
Rx2 | 
M161x54x40mm
Sx1 | 
M50x12x10mm
Tx2 | 
1500mm
Ux1 |
| 
CL
DR DL 300mm
CR
x1 | 
ø21x100MM
x1 | | | | | |

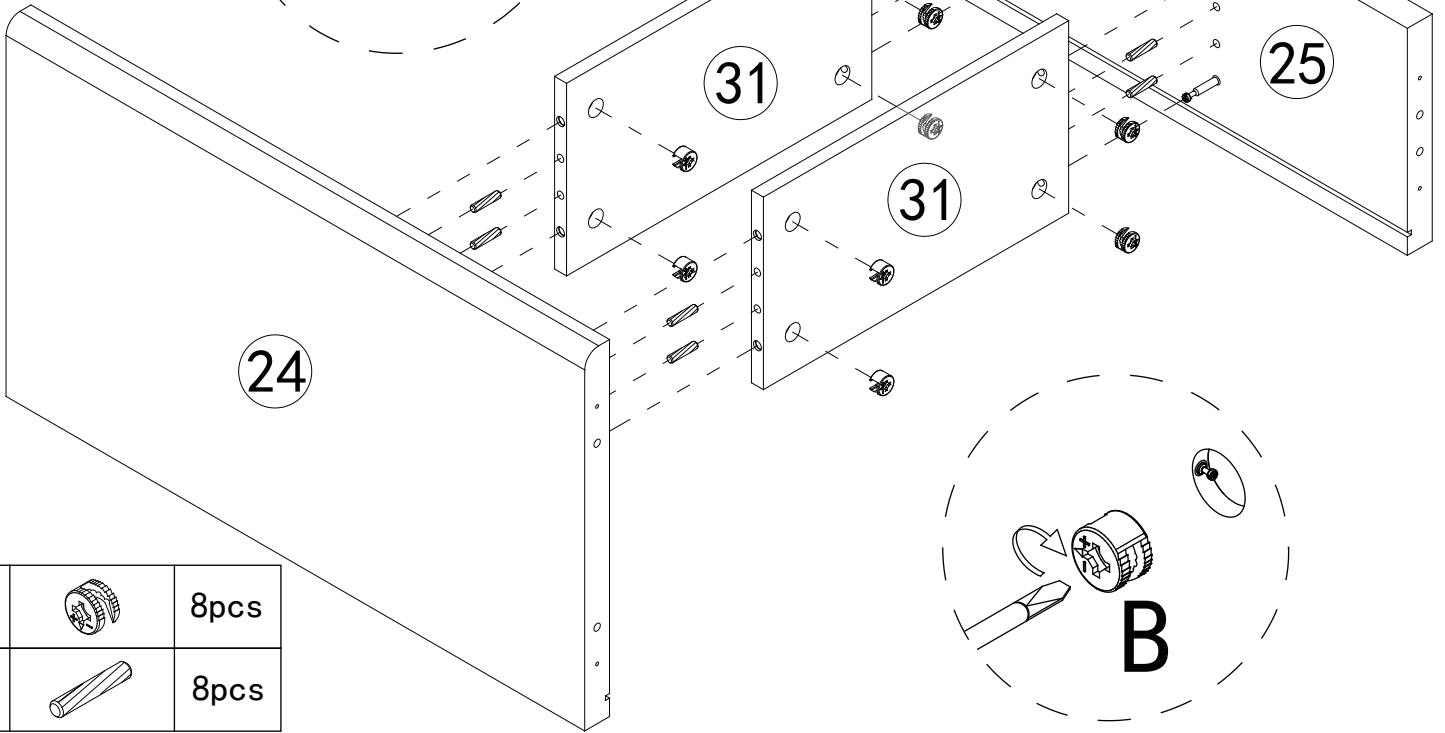
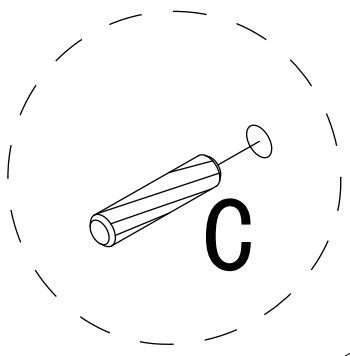



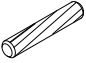
1



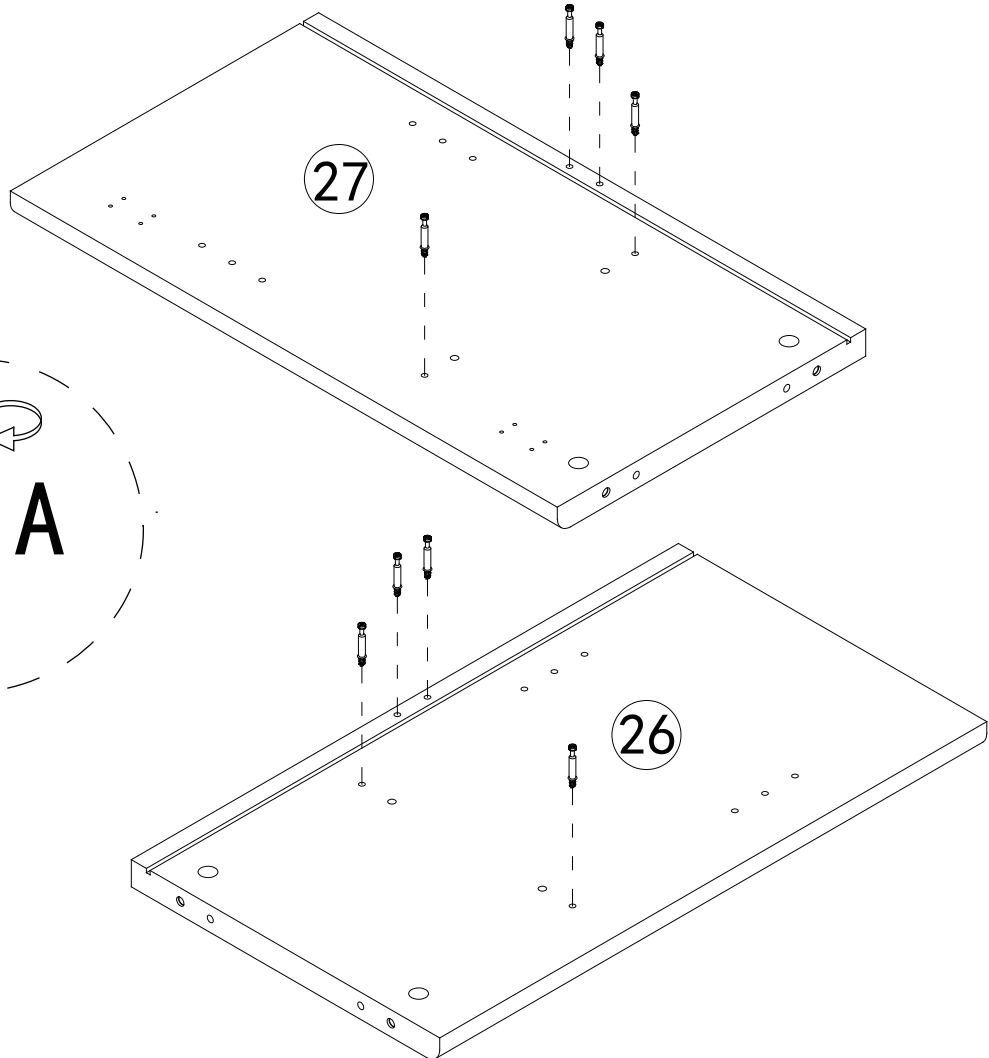
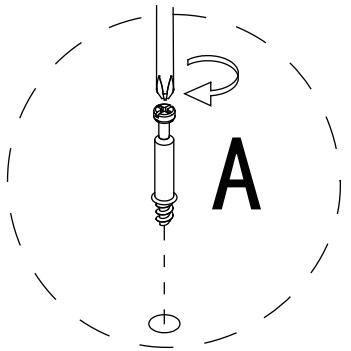
A		17pcs
---	---	-------

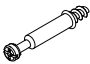
2



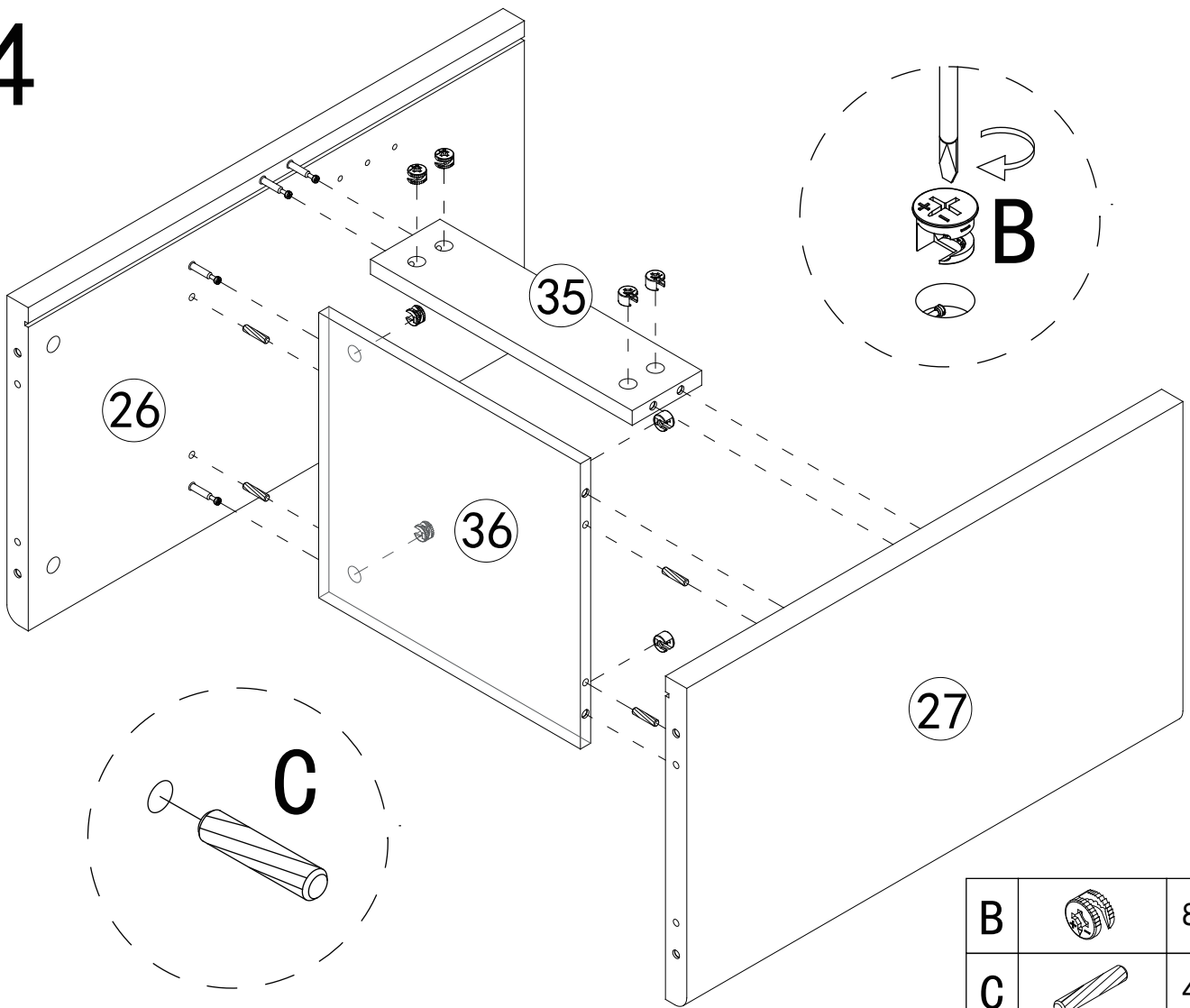
B		8pcs
C		8pcs


3



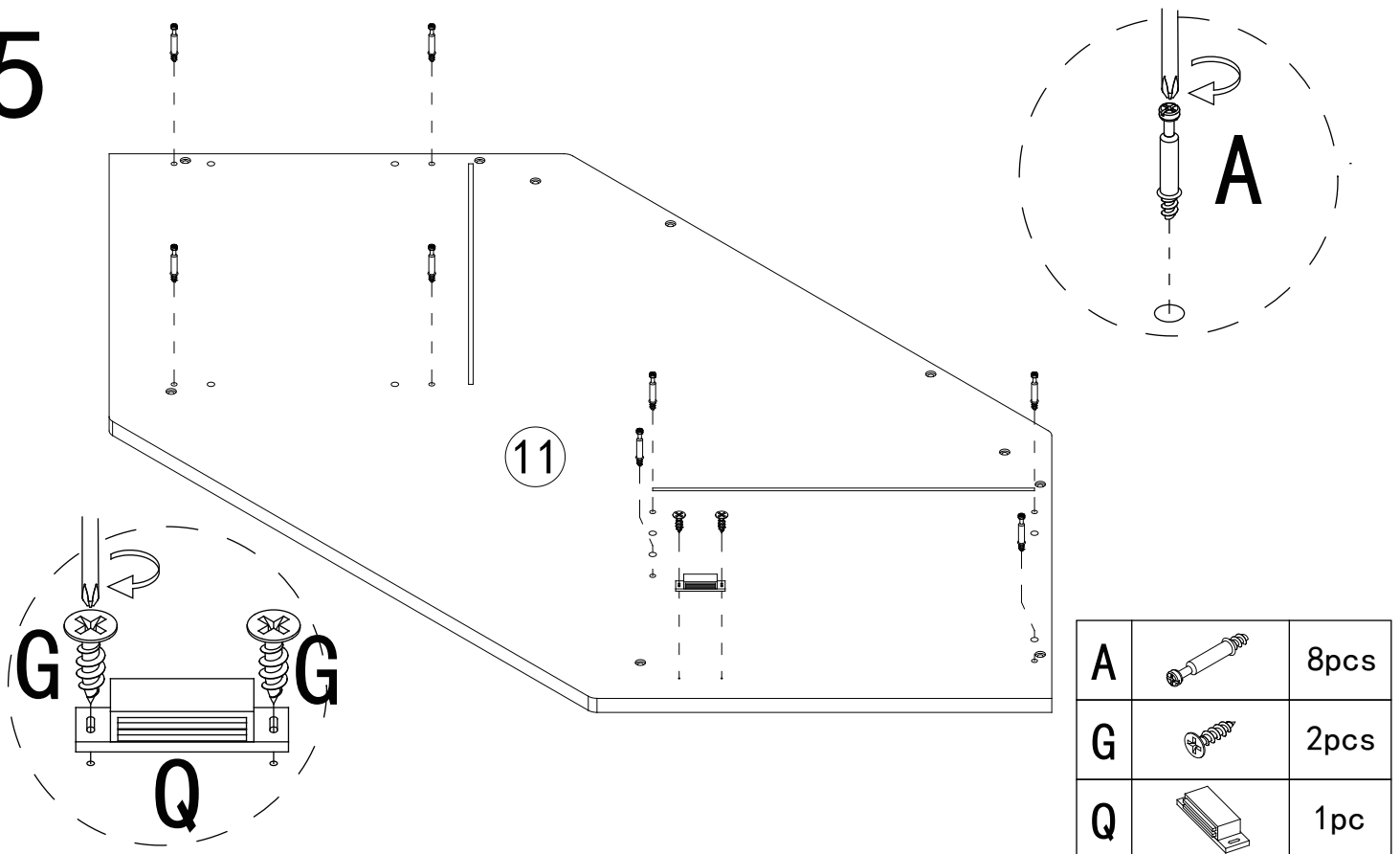
A		8pcs
---	---	------

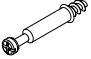

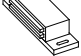
4



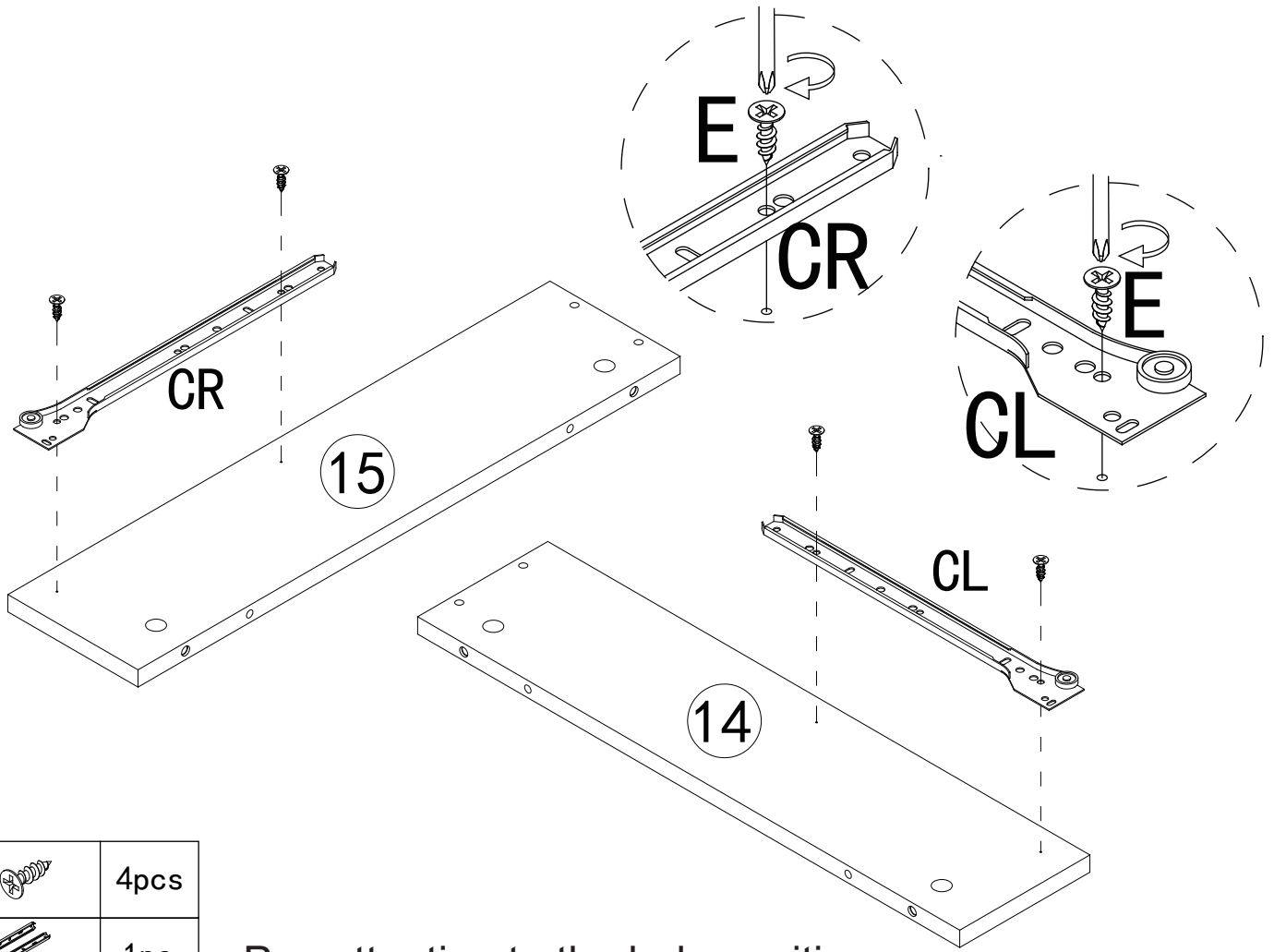
B		8pcs
C		4pcs


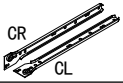
5



A		8pcs
G		2pcs
Q		1pc

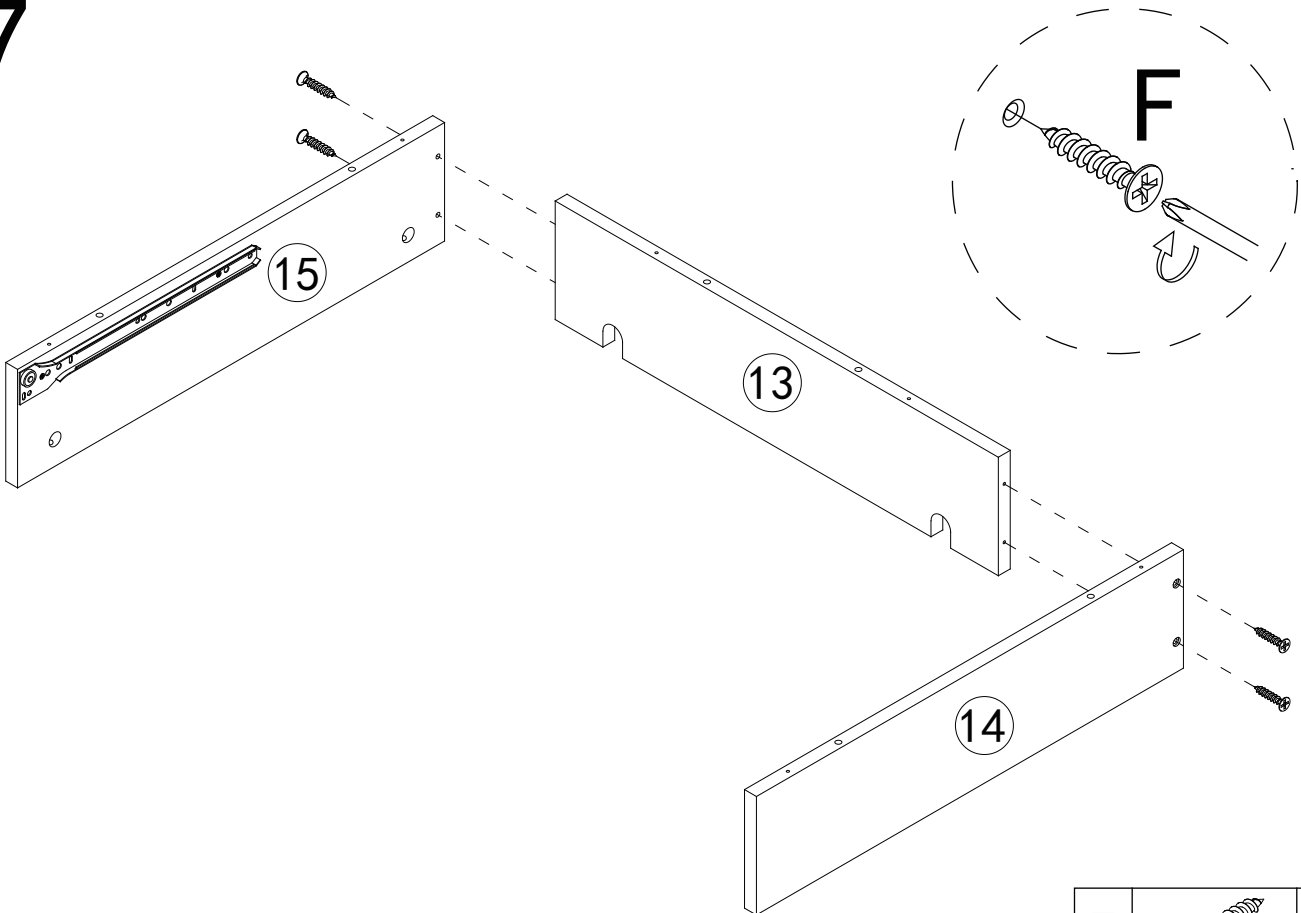
6




E		4pcs
CR CL		1pc

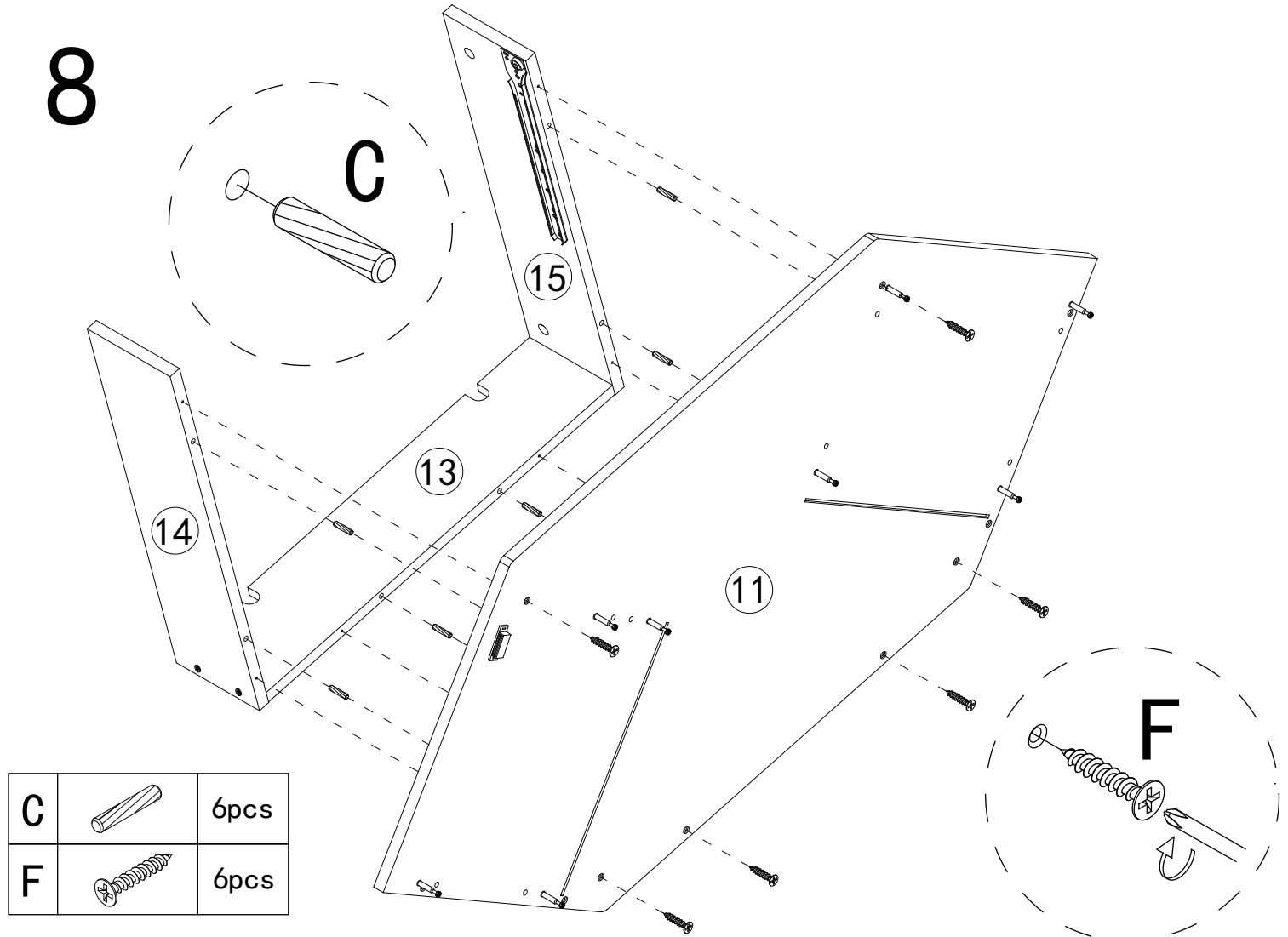
Pay attention to the hole position.

7

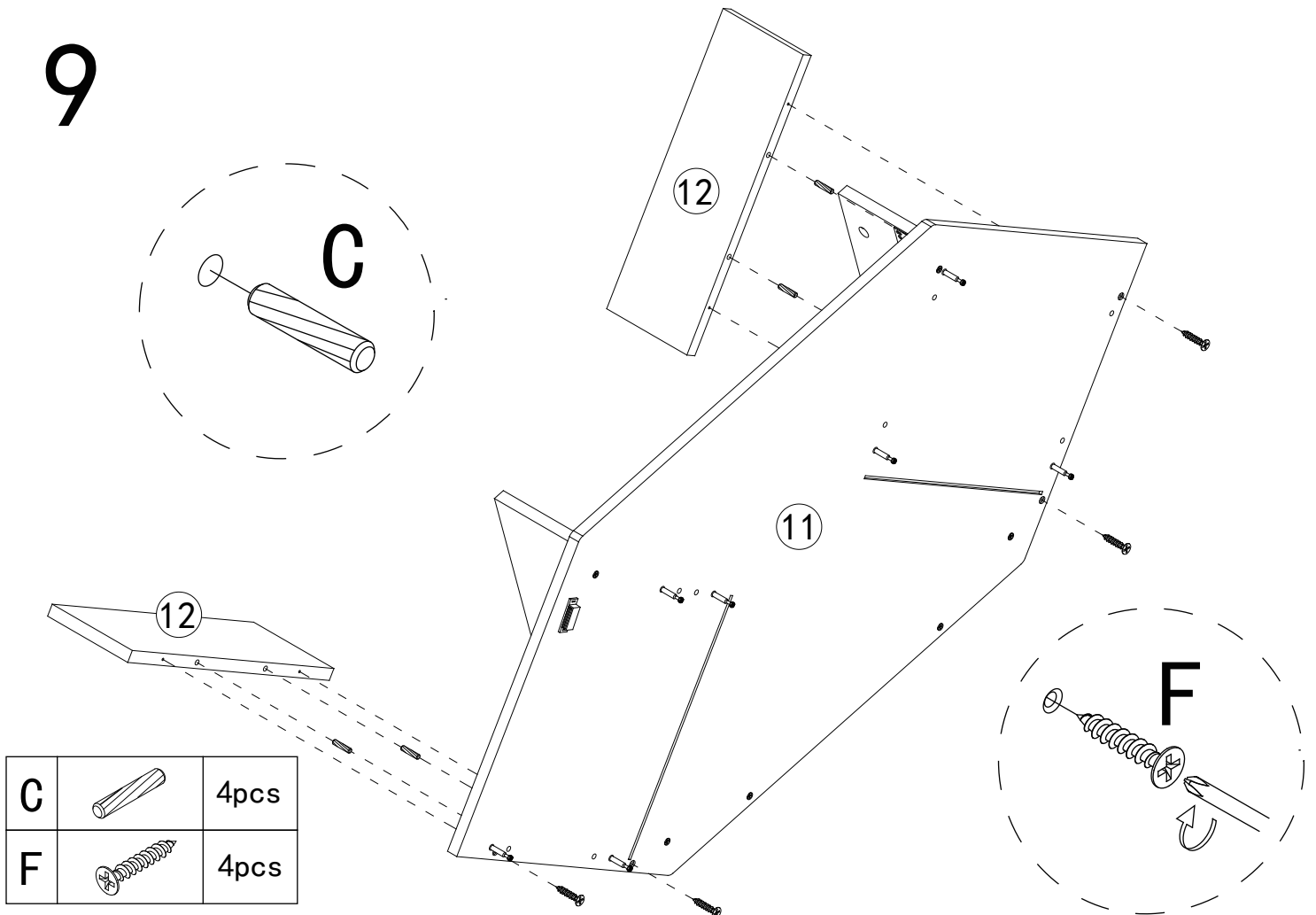


F		4pcs
---	---	------

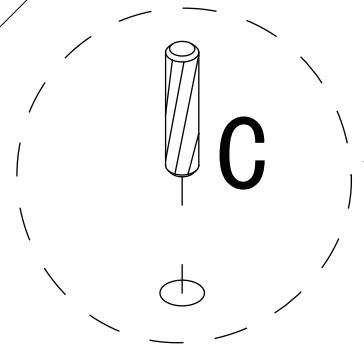
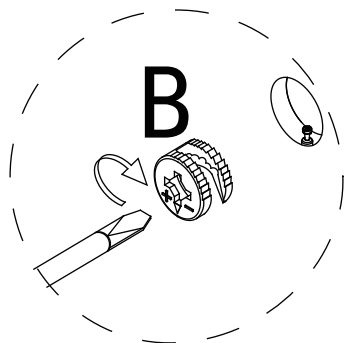
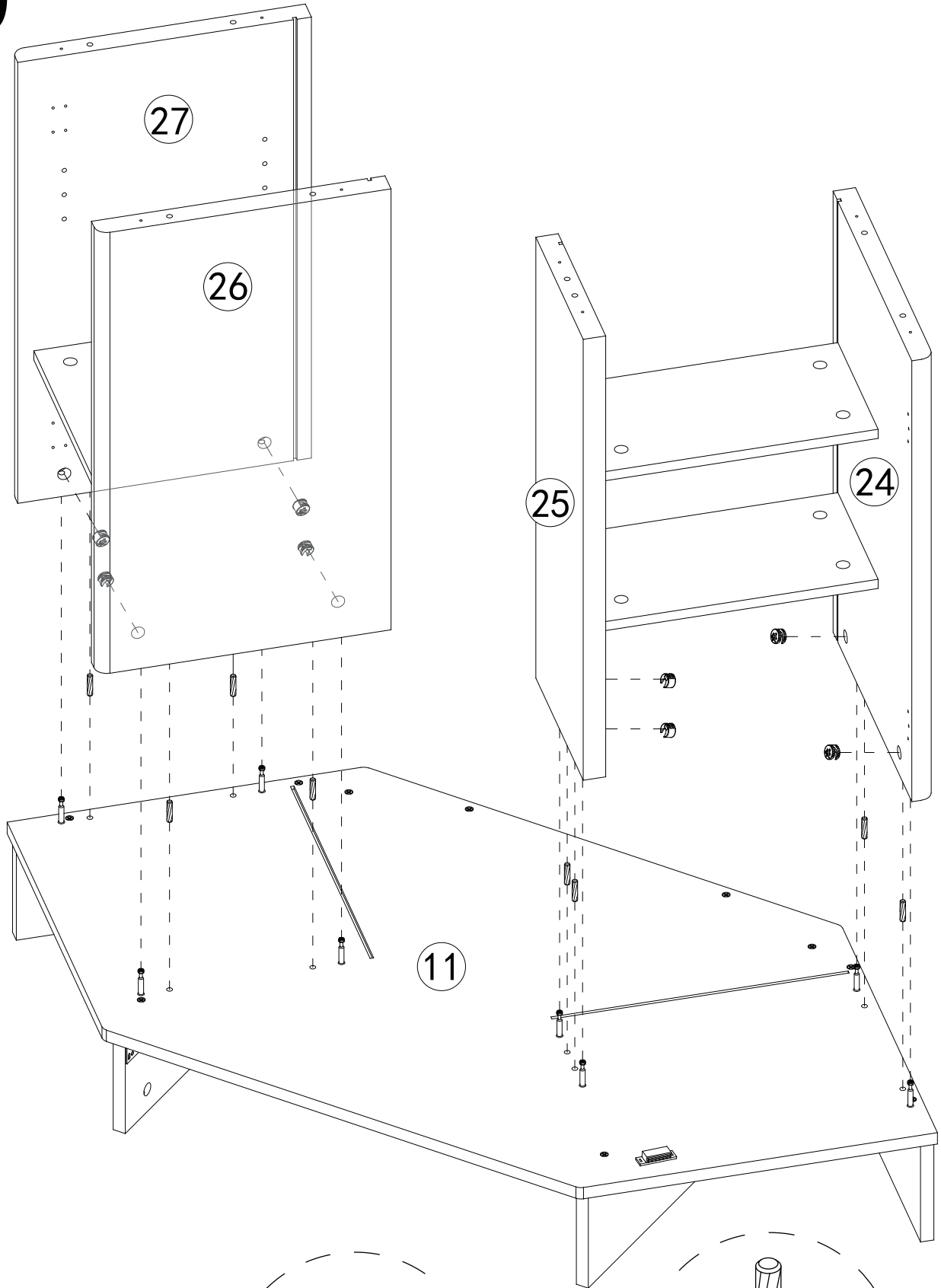
8


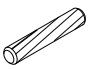


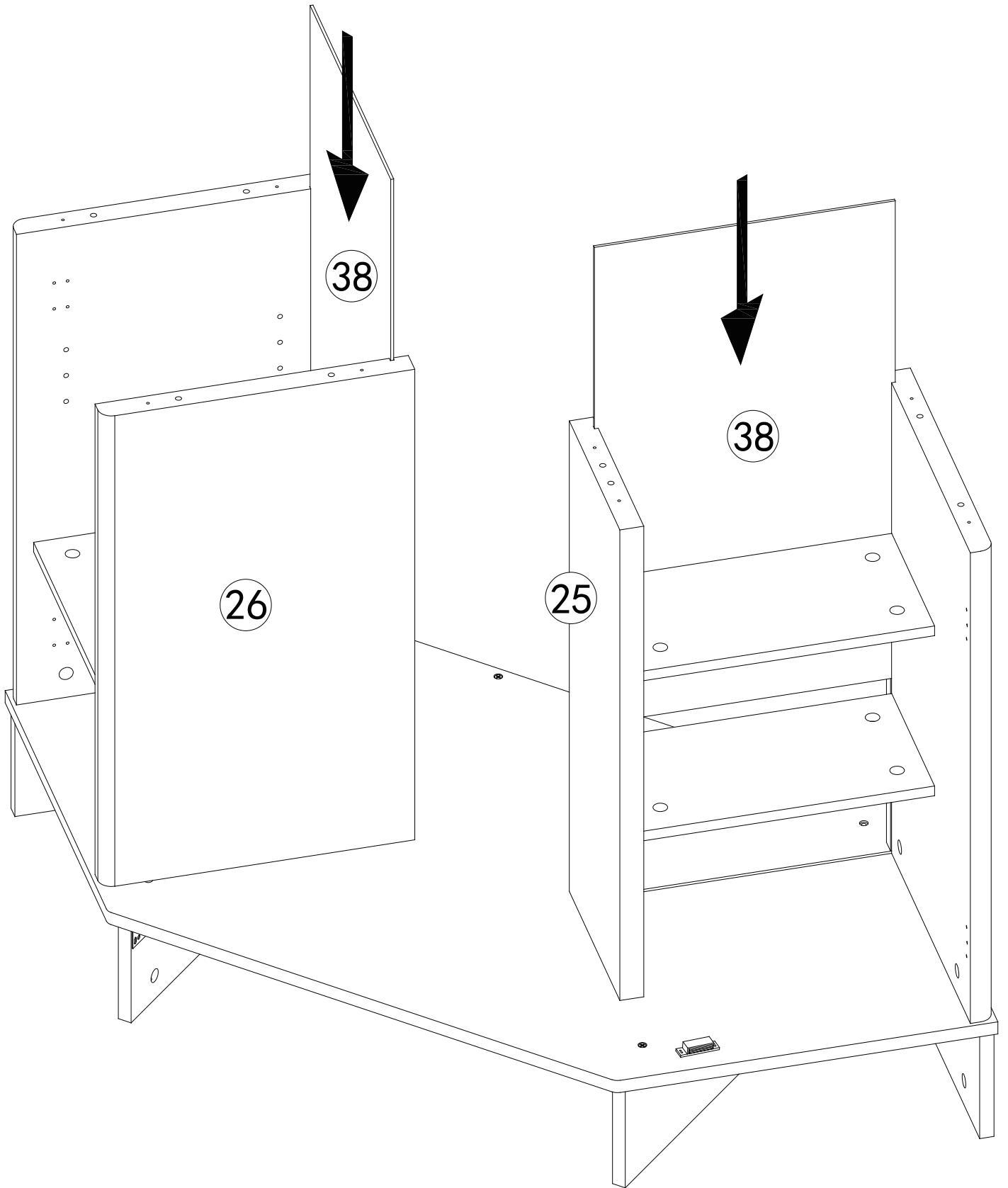
9



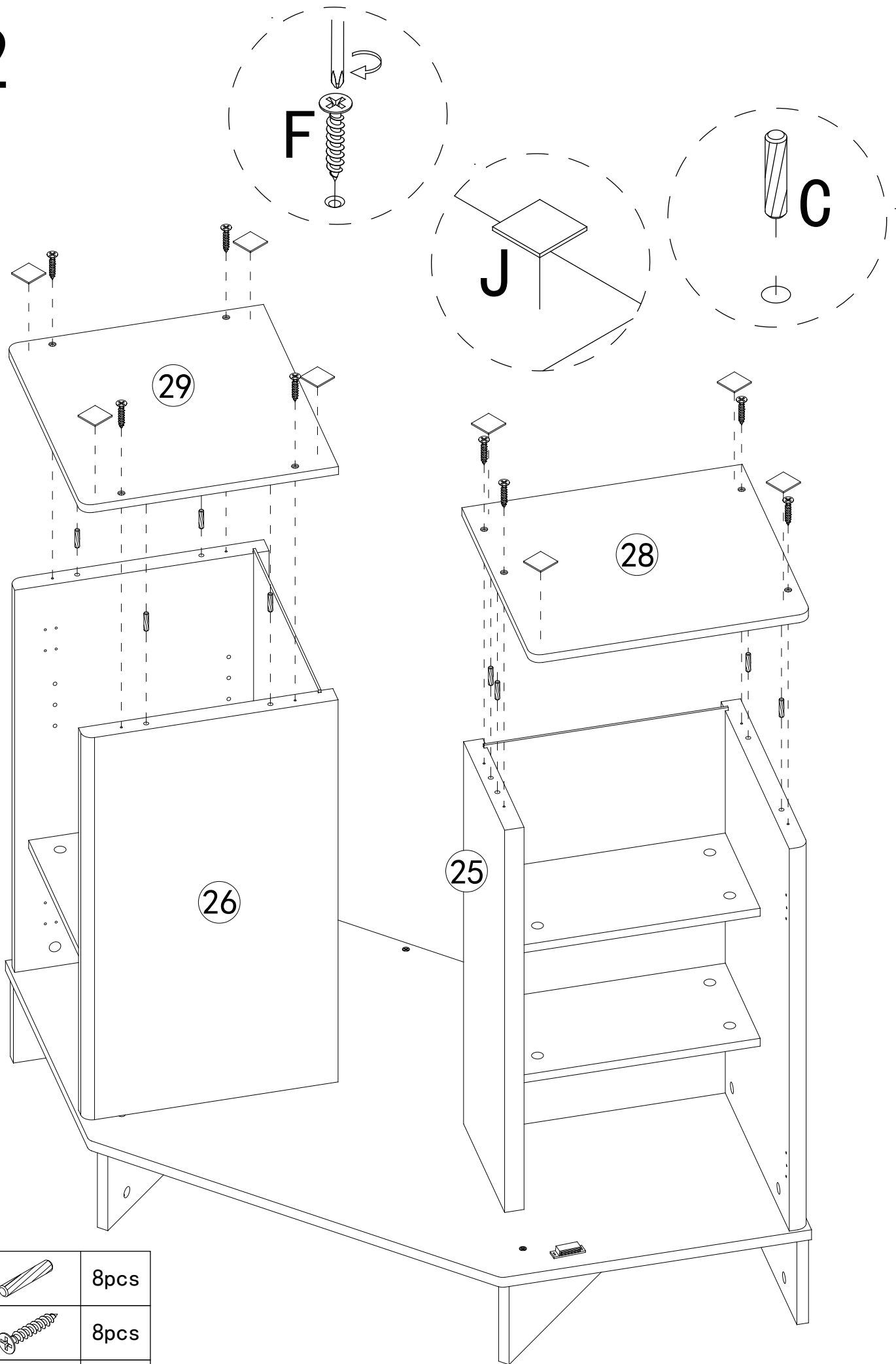
10

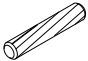
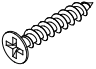
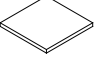


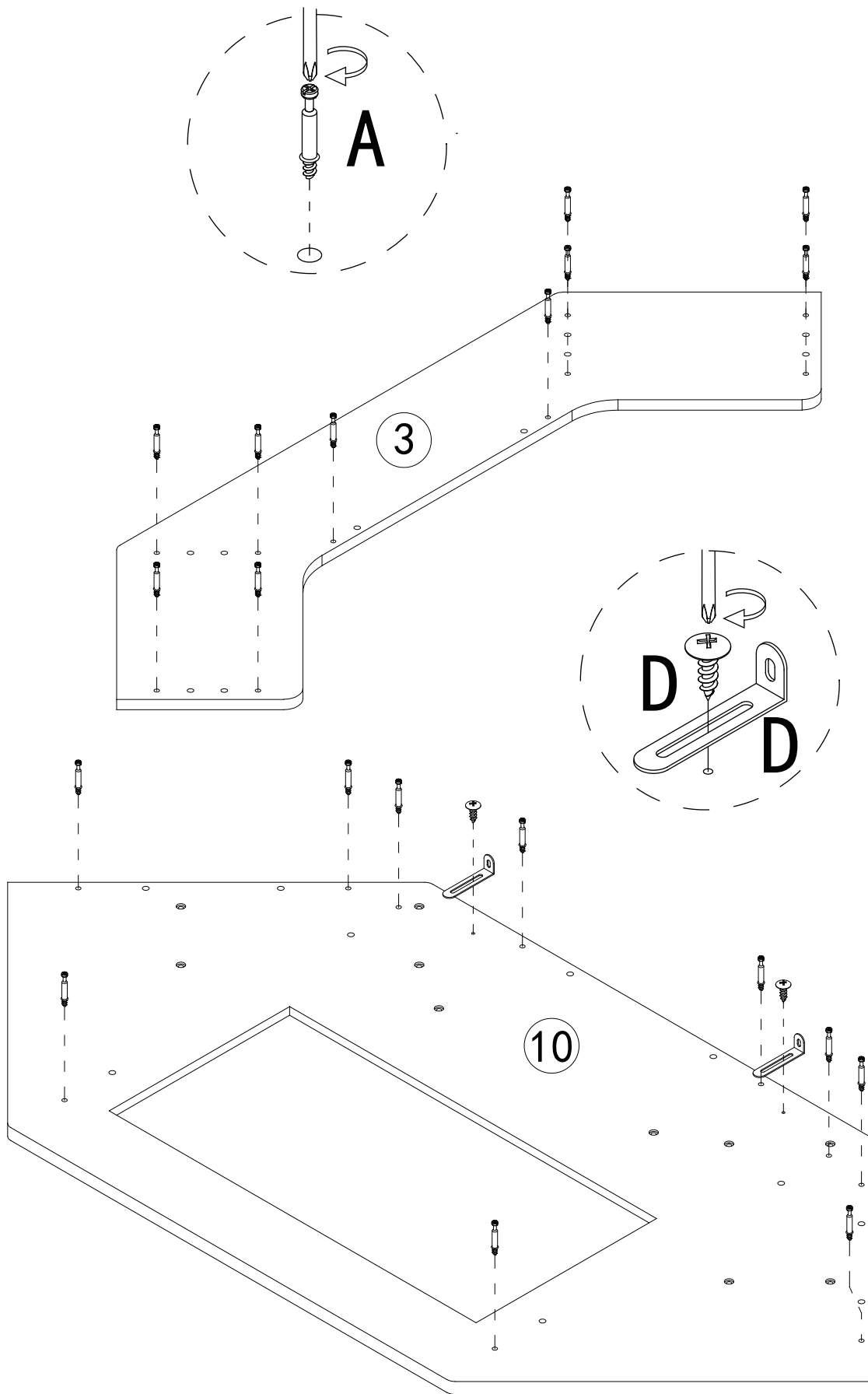
B		8pcs
C		8pcs

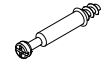
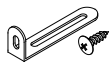


12

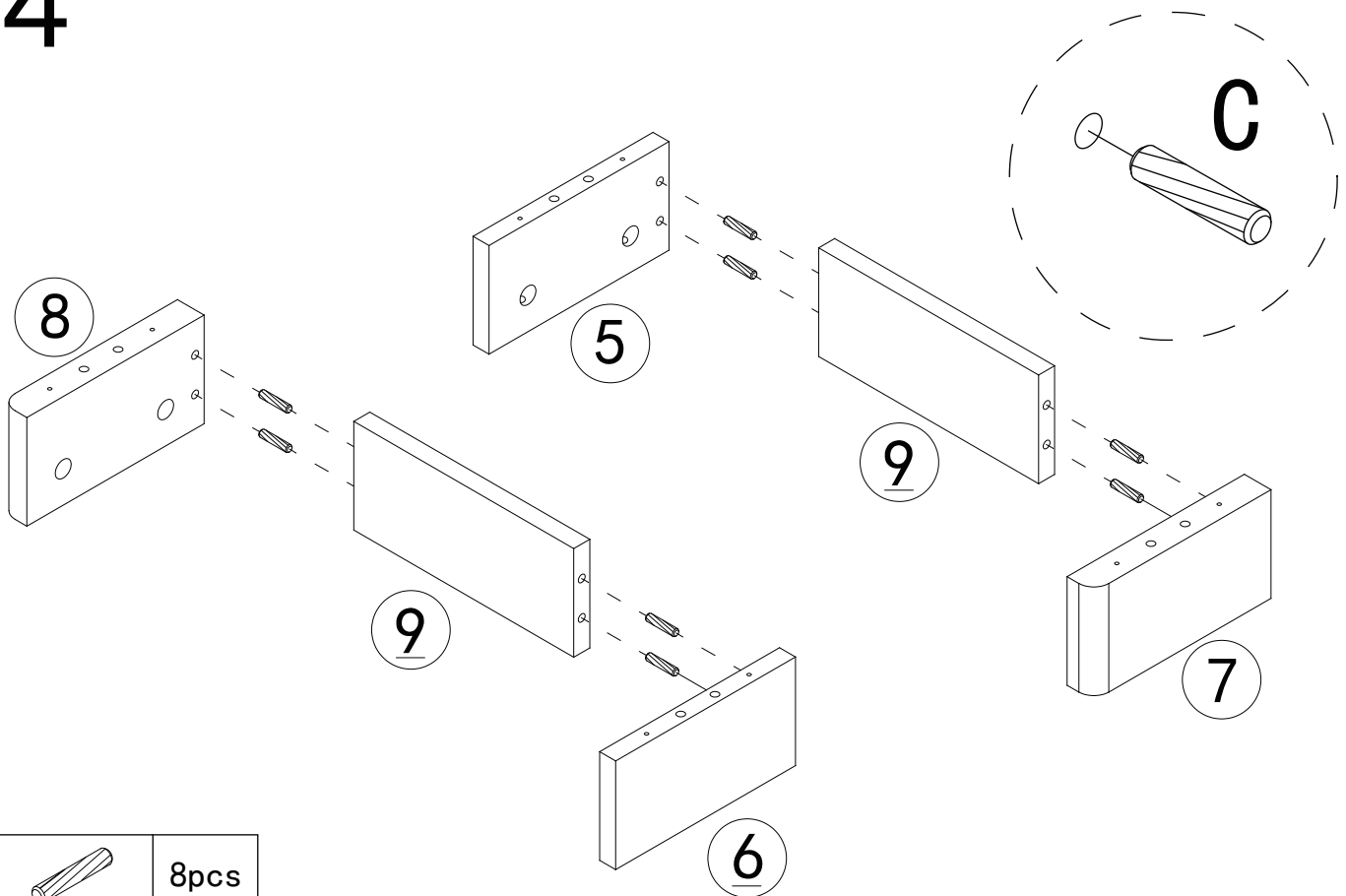


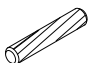
C		8pcs
F		8pcs
J		8pcs



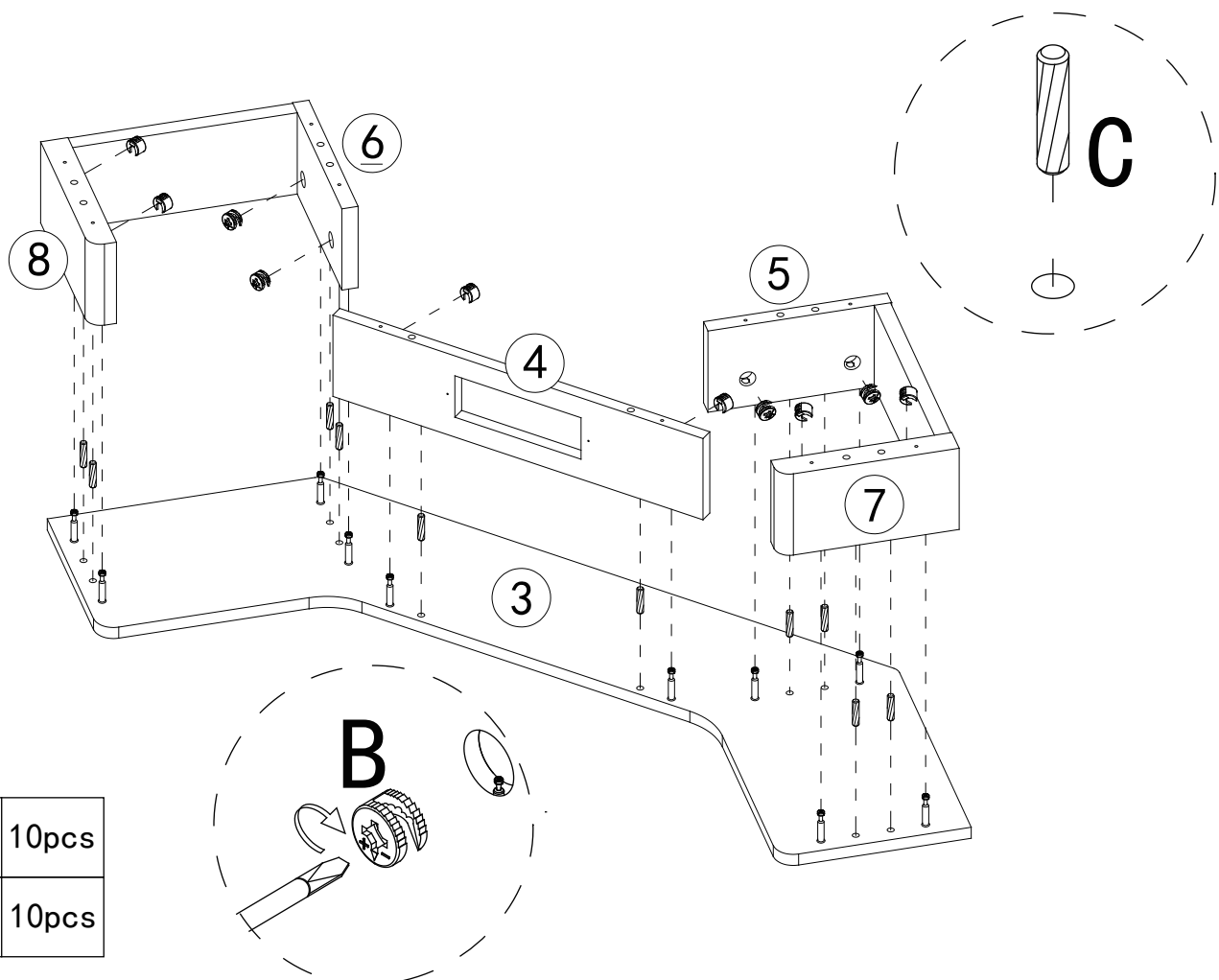
A		20pcs
D		2pcs



14



C		8pcs
---	--	------

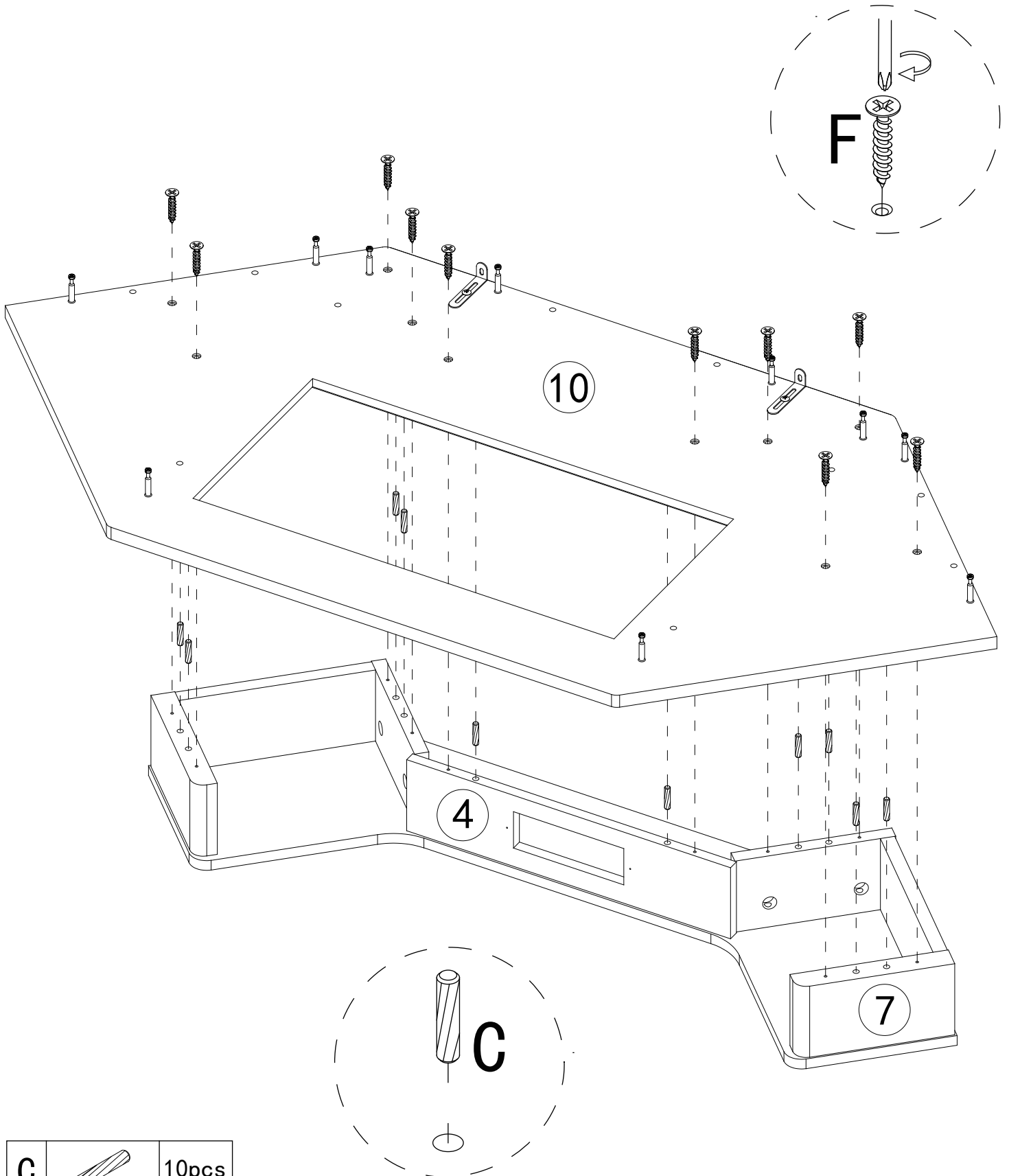
15

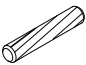



B		10pcs
C		10pcs

16

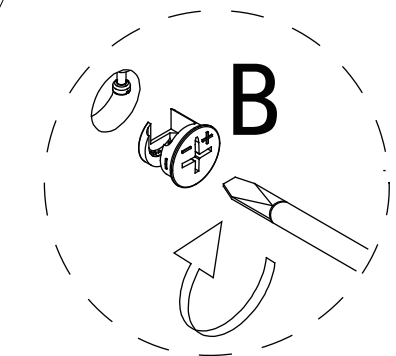
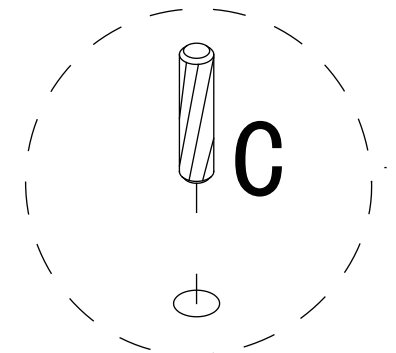
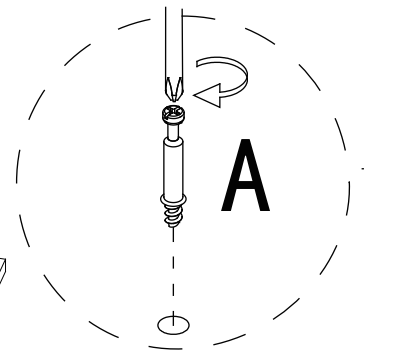
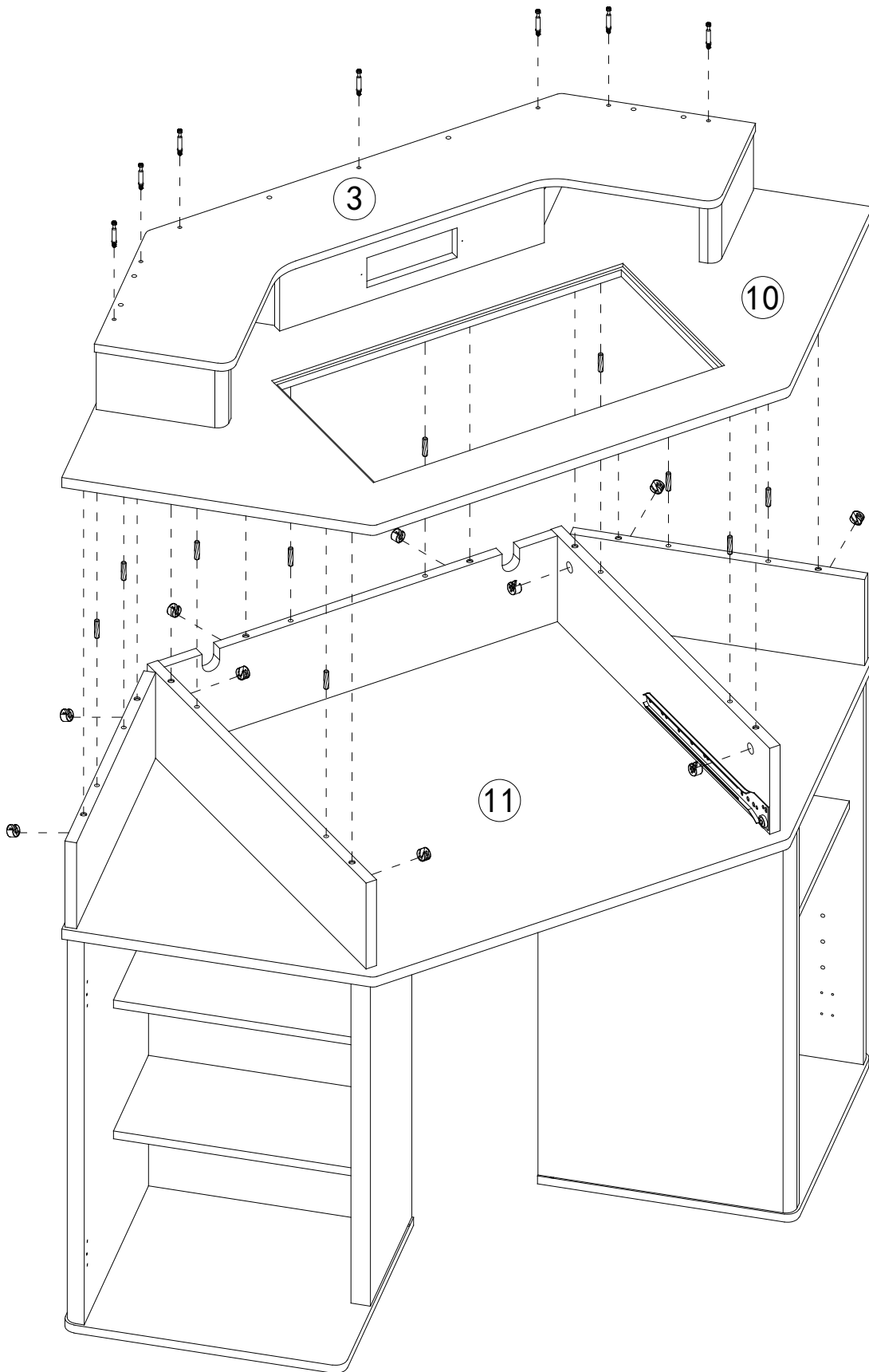
This step requires two people to work together to install.

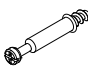

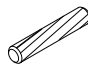


C		10pcs
F		10pcs

17

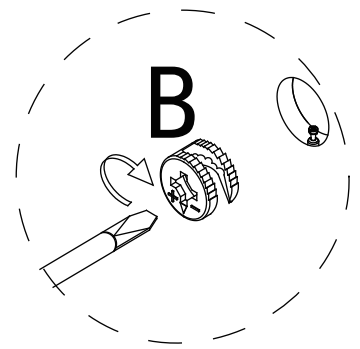
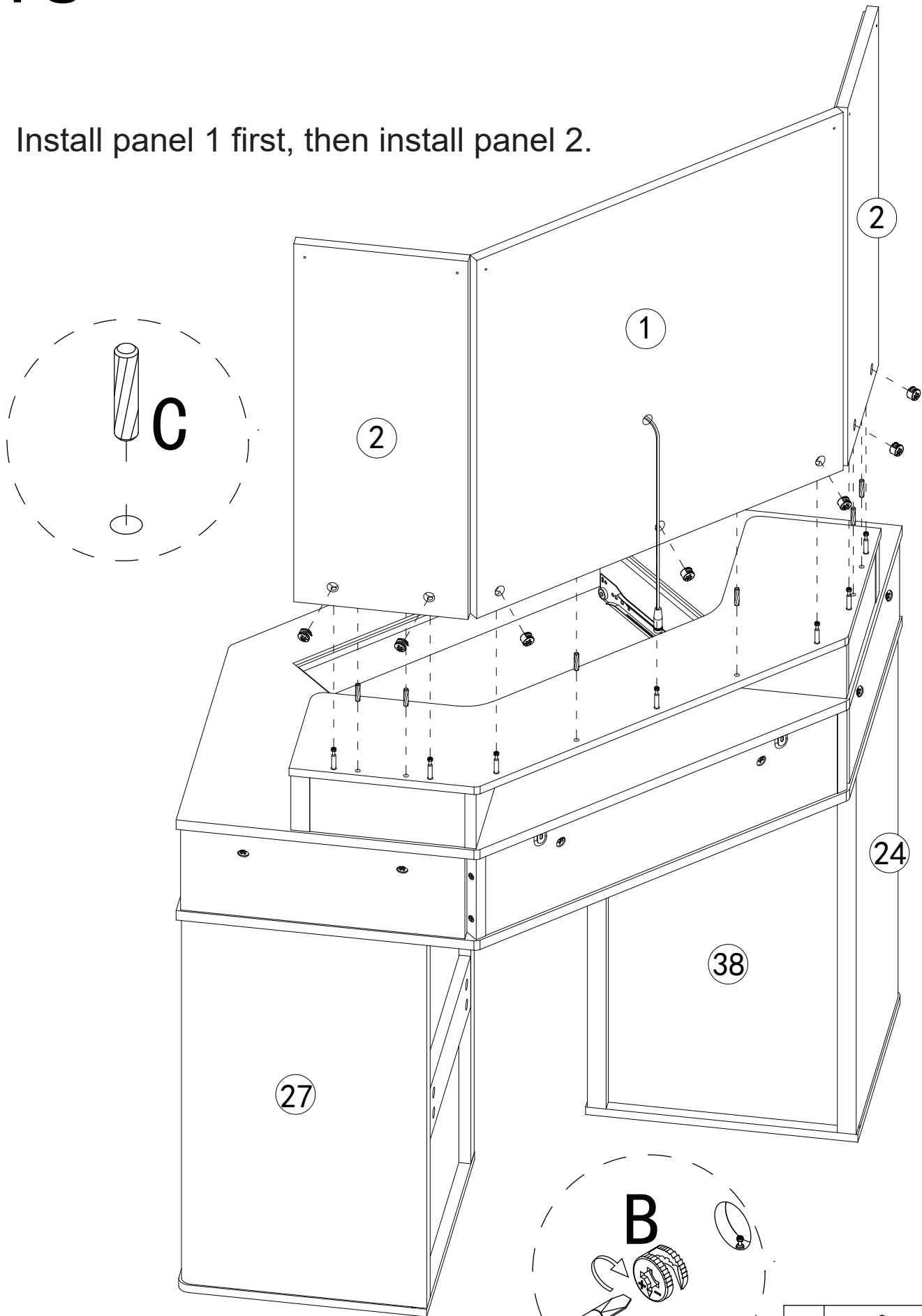
This step requires two people to work together to install.


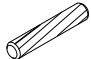


A		7pcs
B		10pcs
C		10pcs

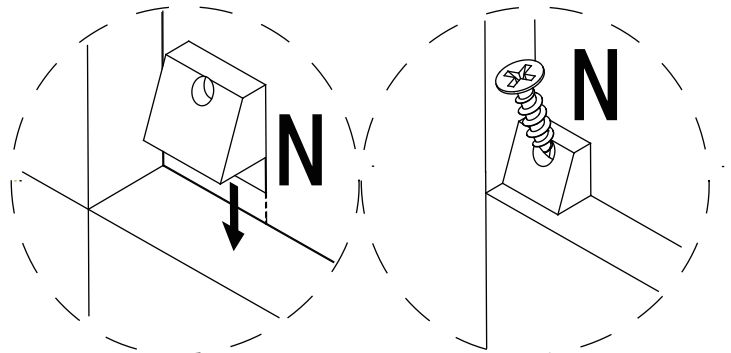
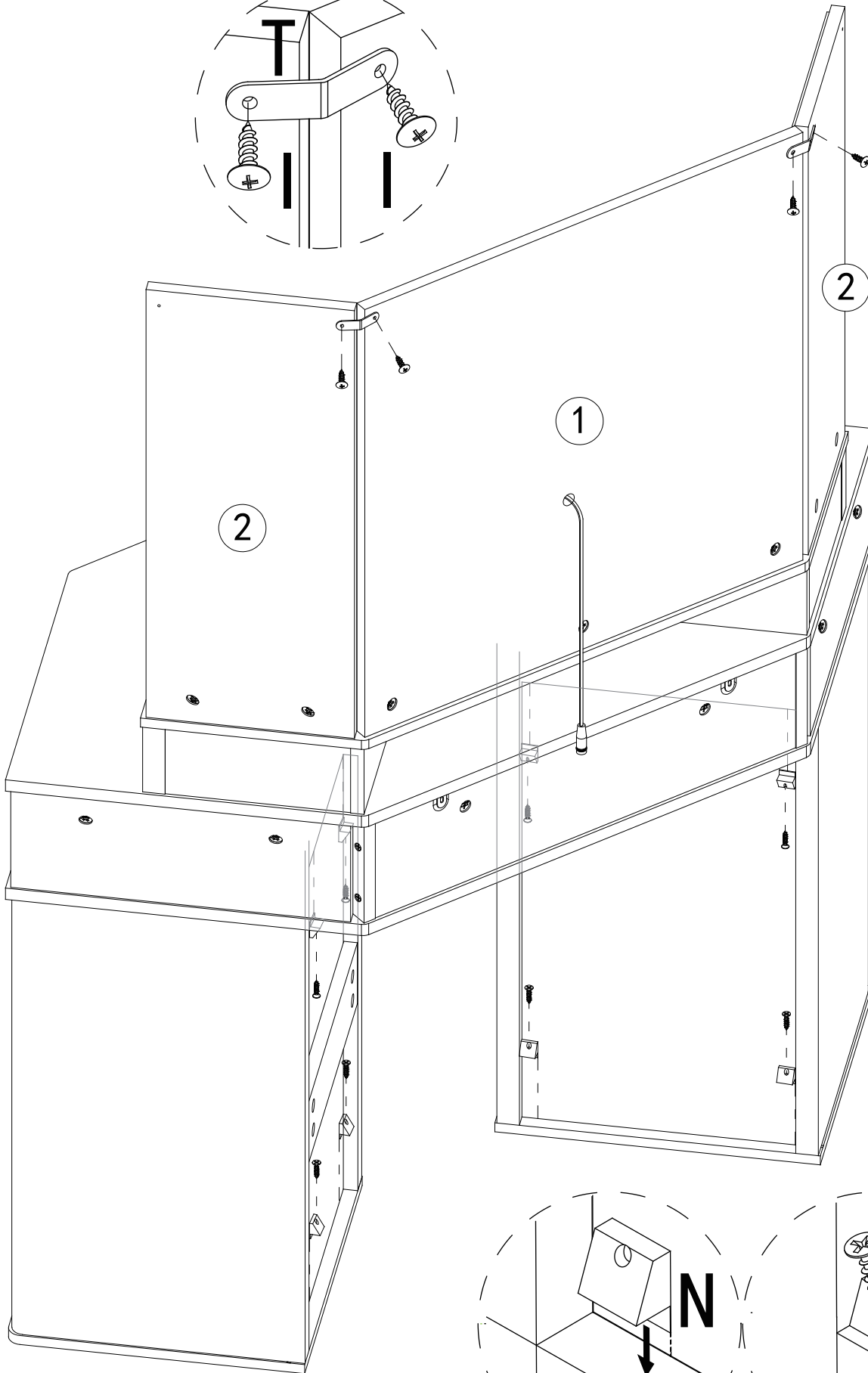
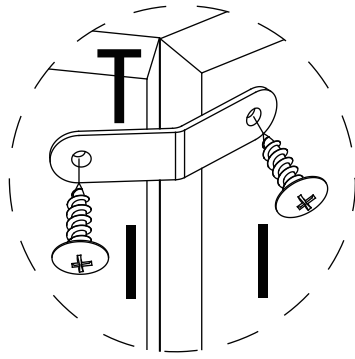
18



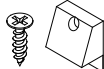
Install panel 1 first, then install panel 2.

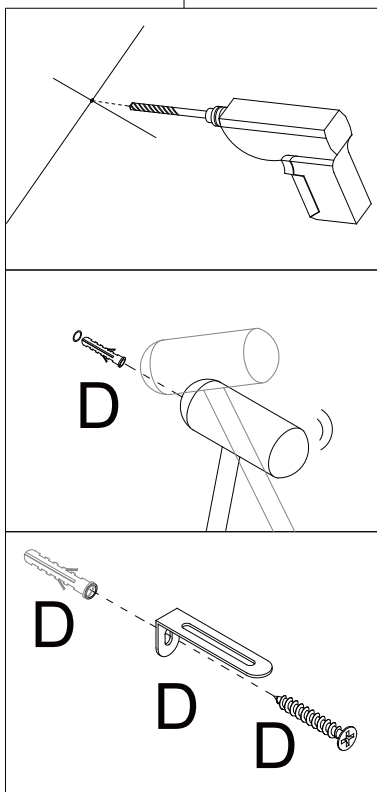
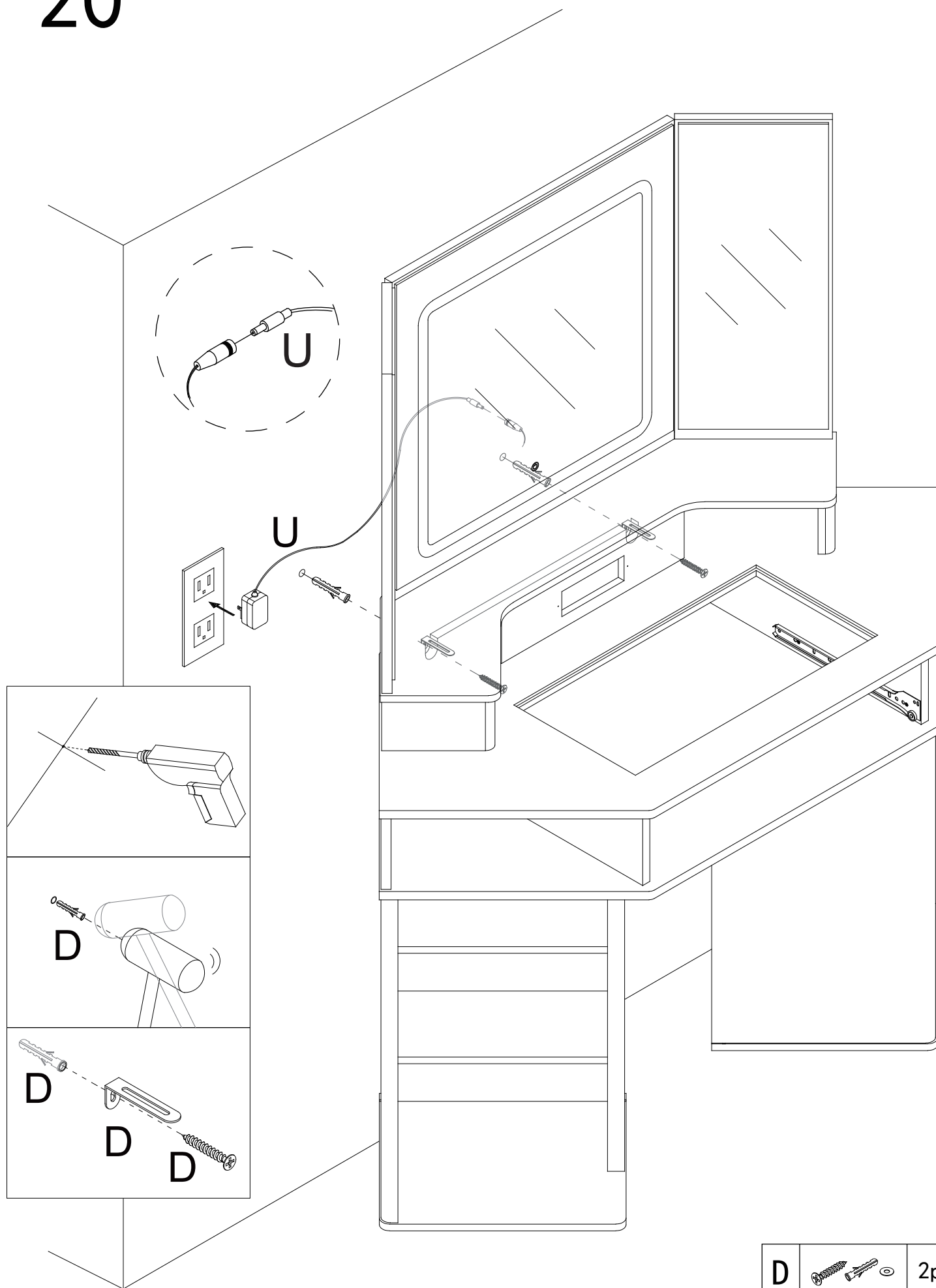




B		7pcs
C		6pcs

Be sure to install back plate buckle to prevent the cabinet from shaking.

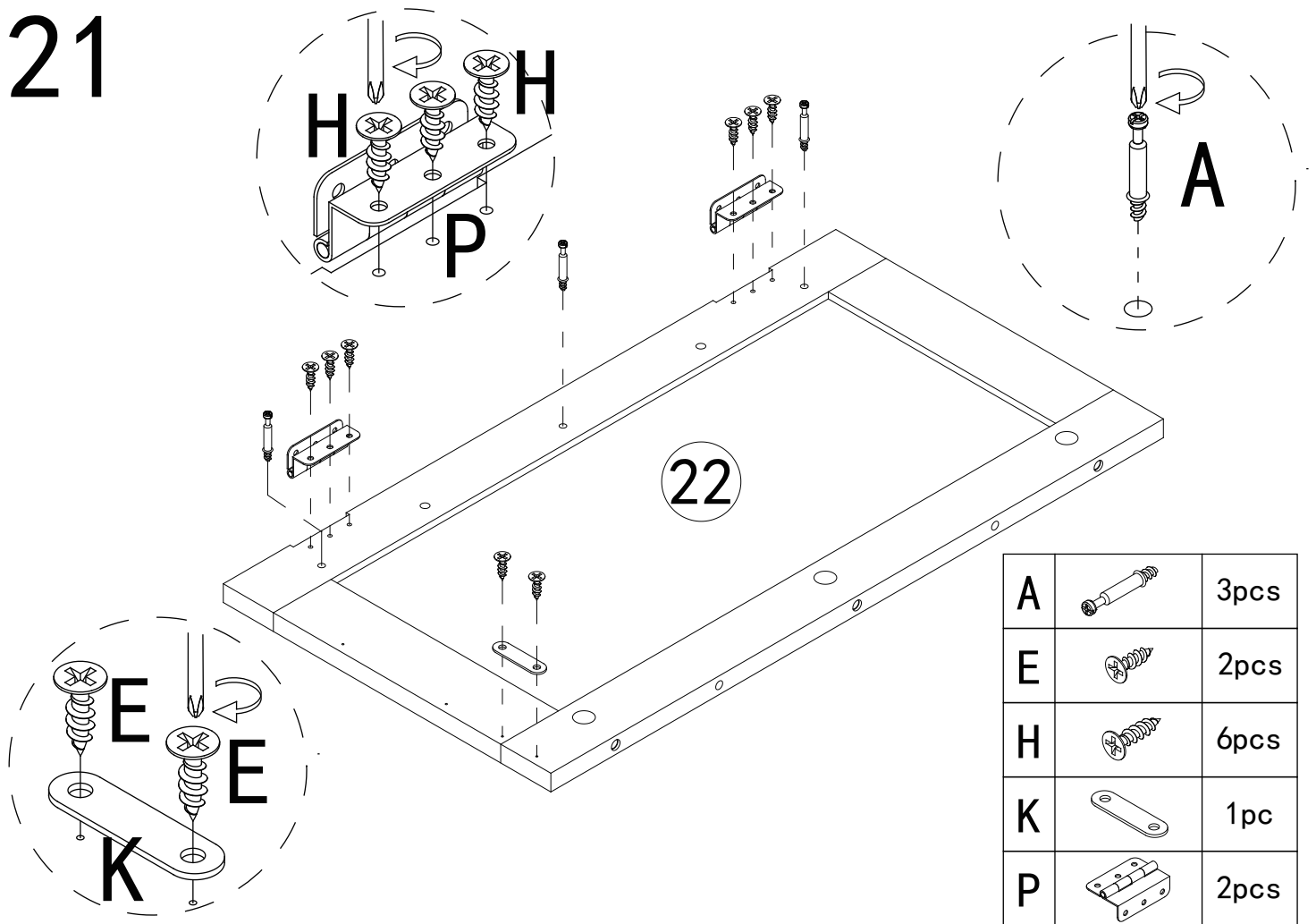


I		4pcs			
T		2pcs	N		8pcs

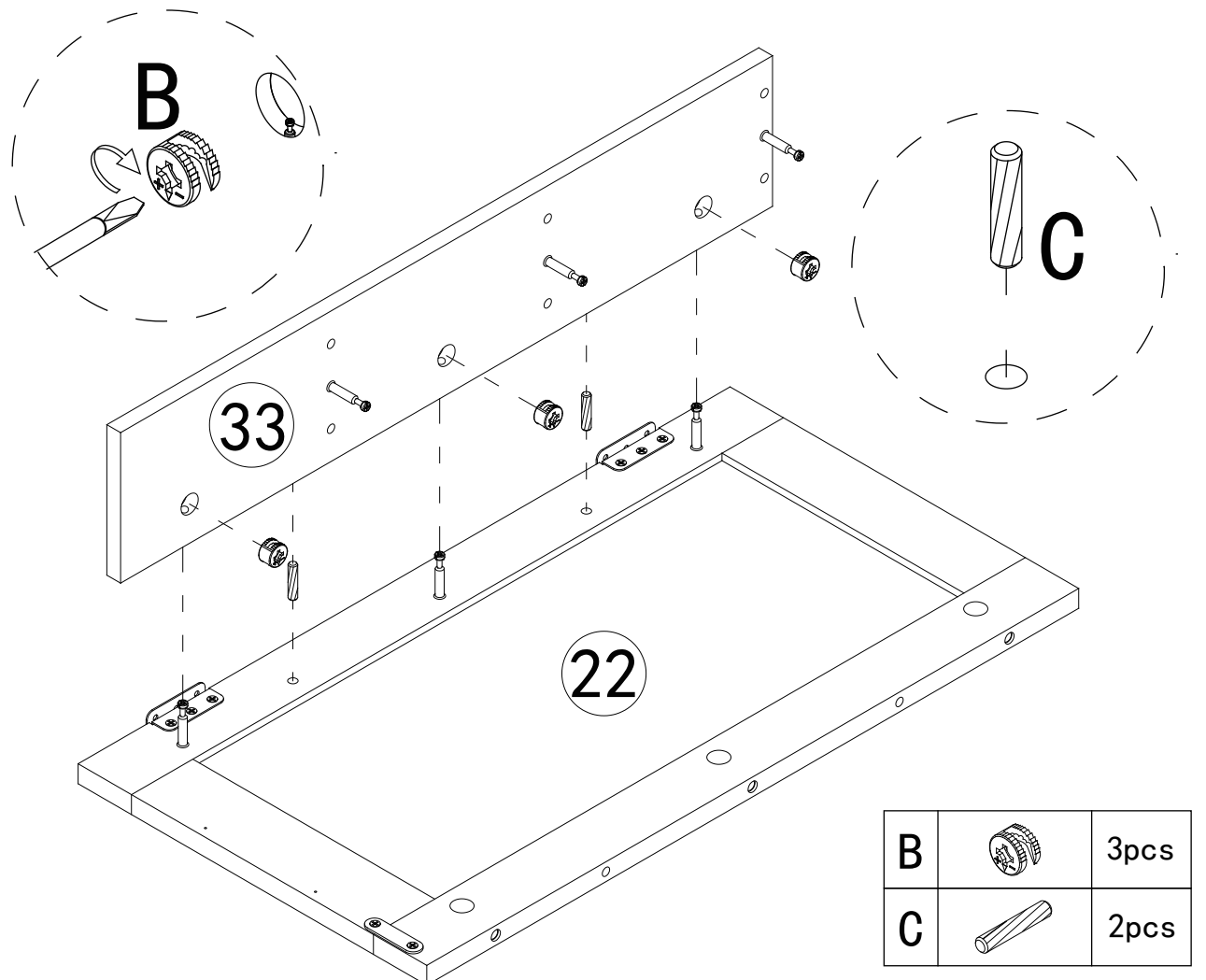


D		2pcs
U		1pc

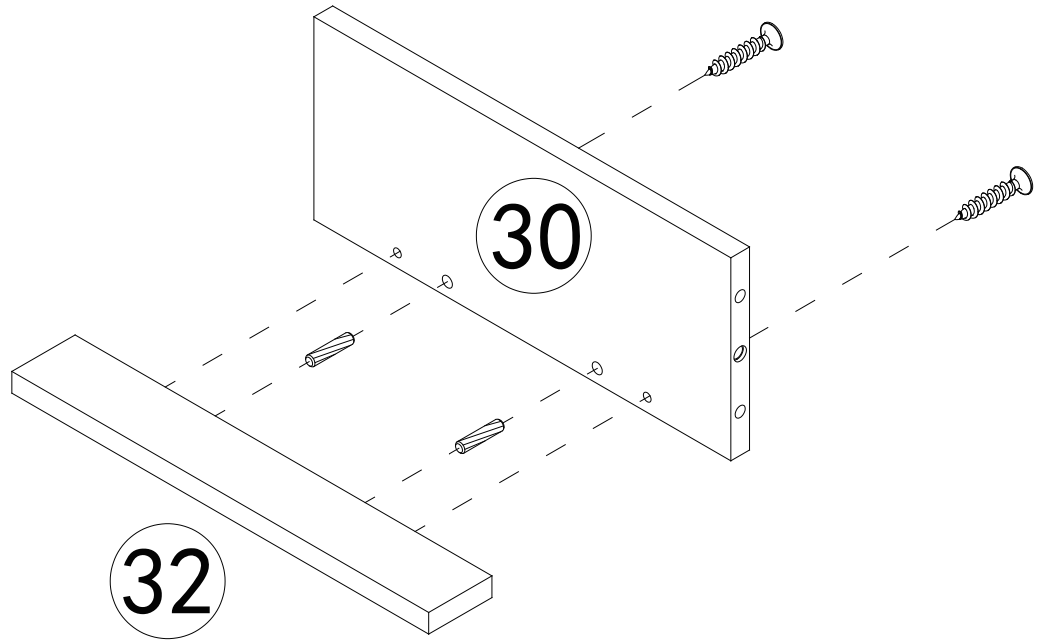
21

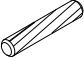
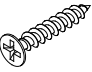


22



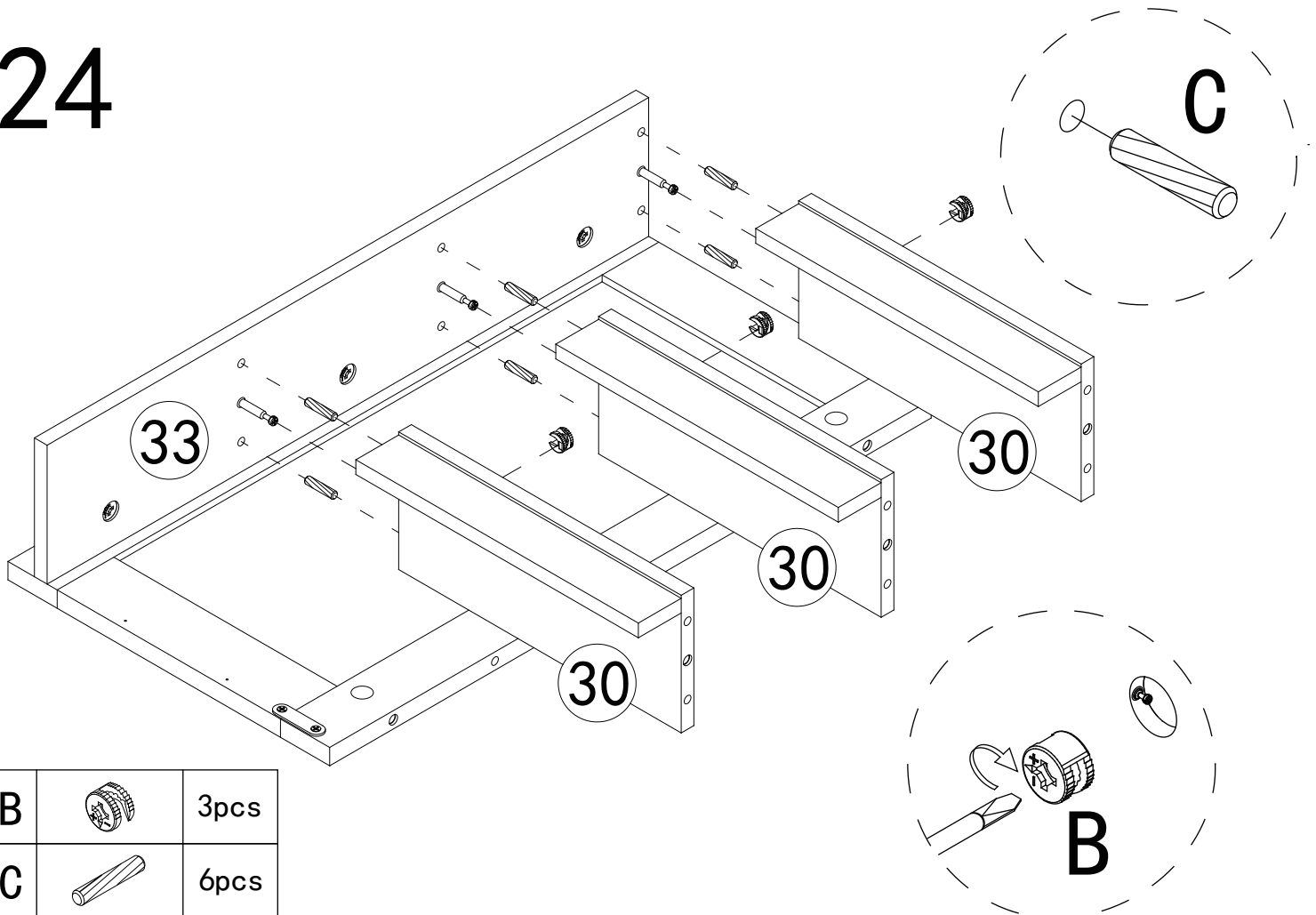
23


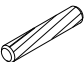


C		6pcs
F		6pcs

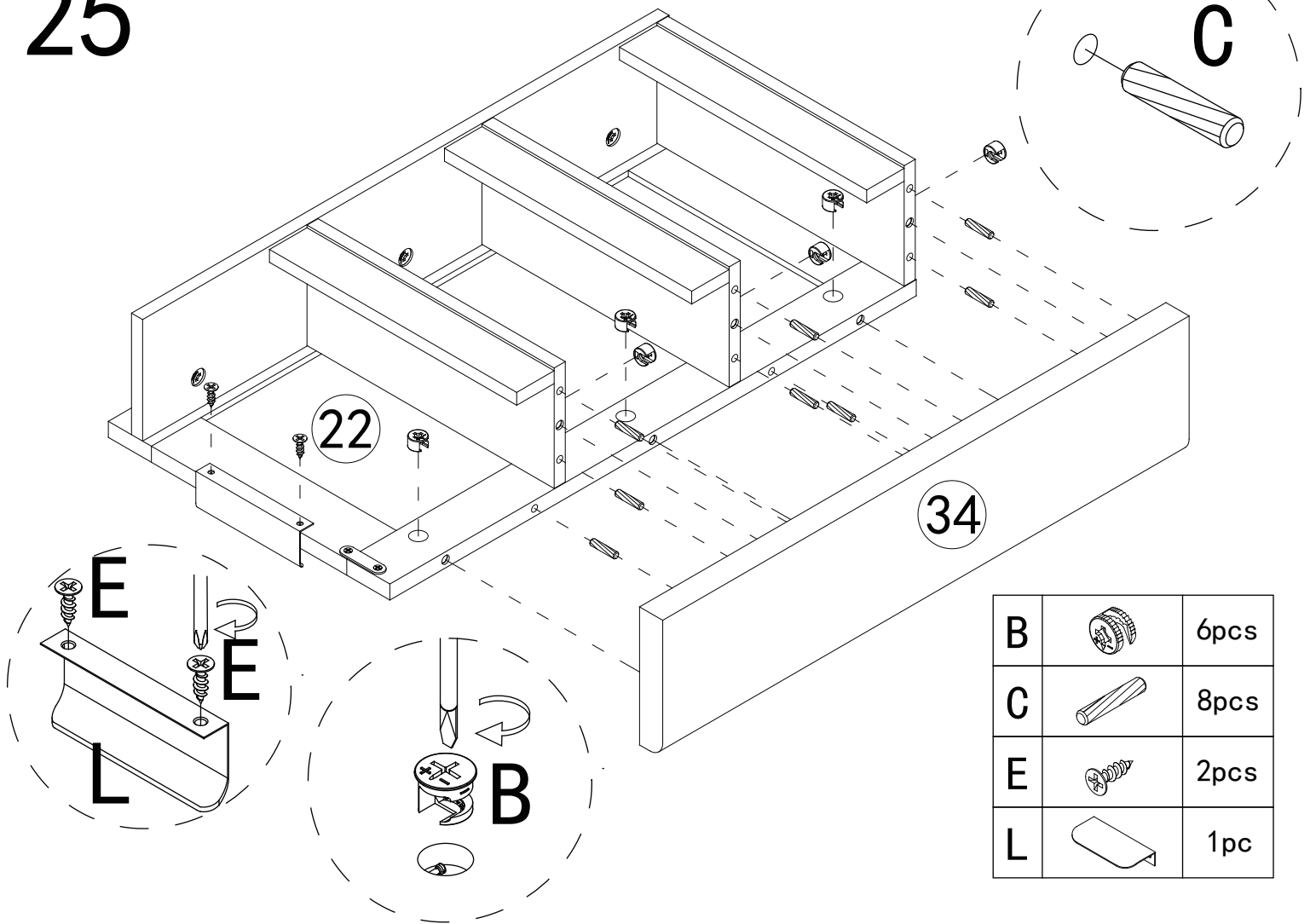
x3

24



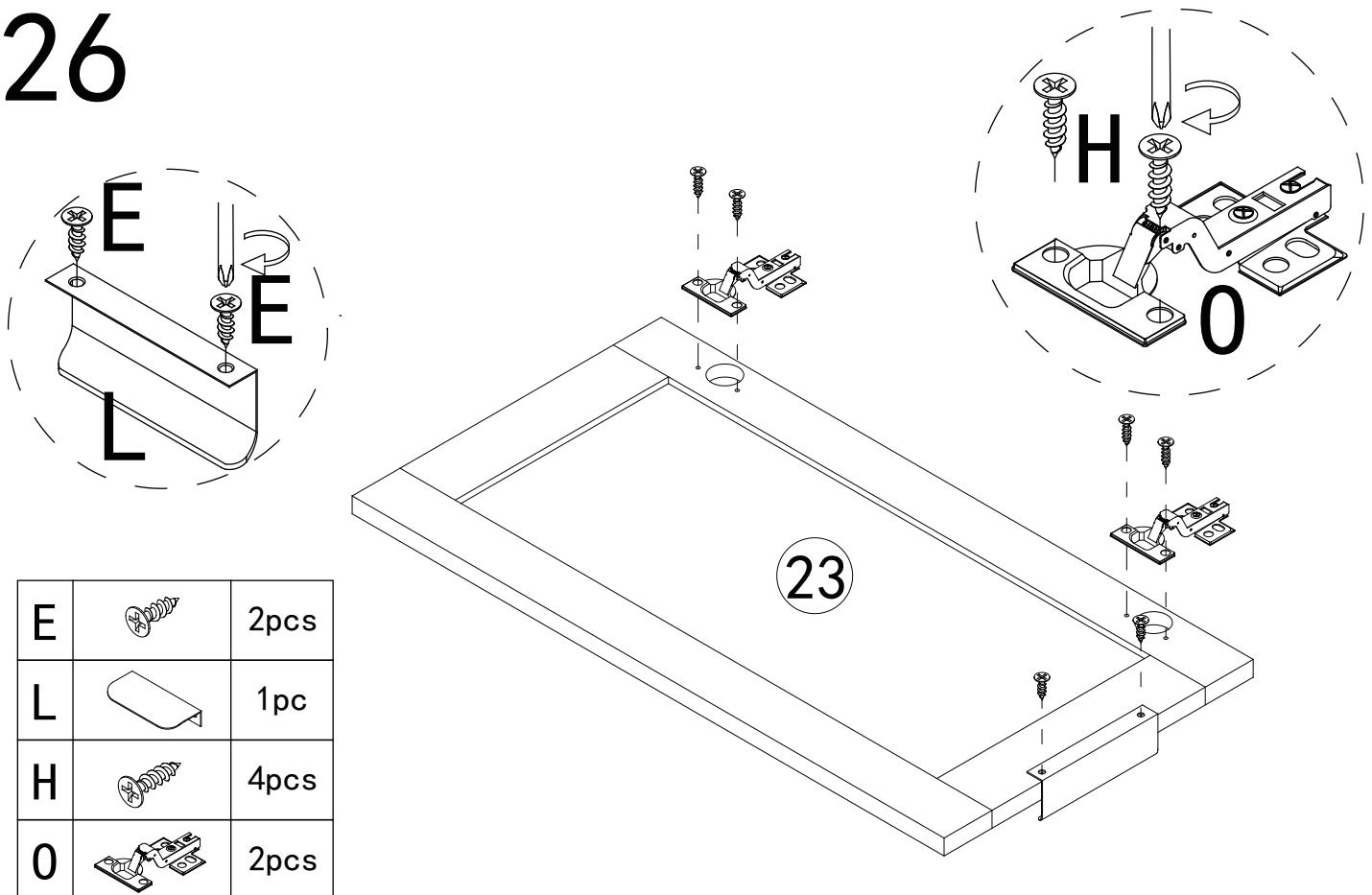
B		3pcs
C		6pcs

25

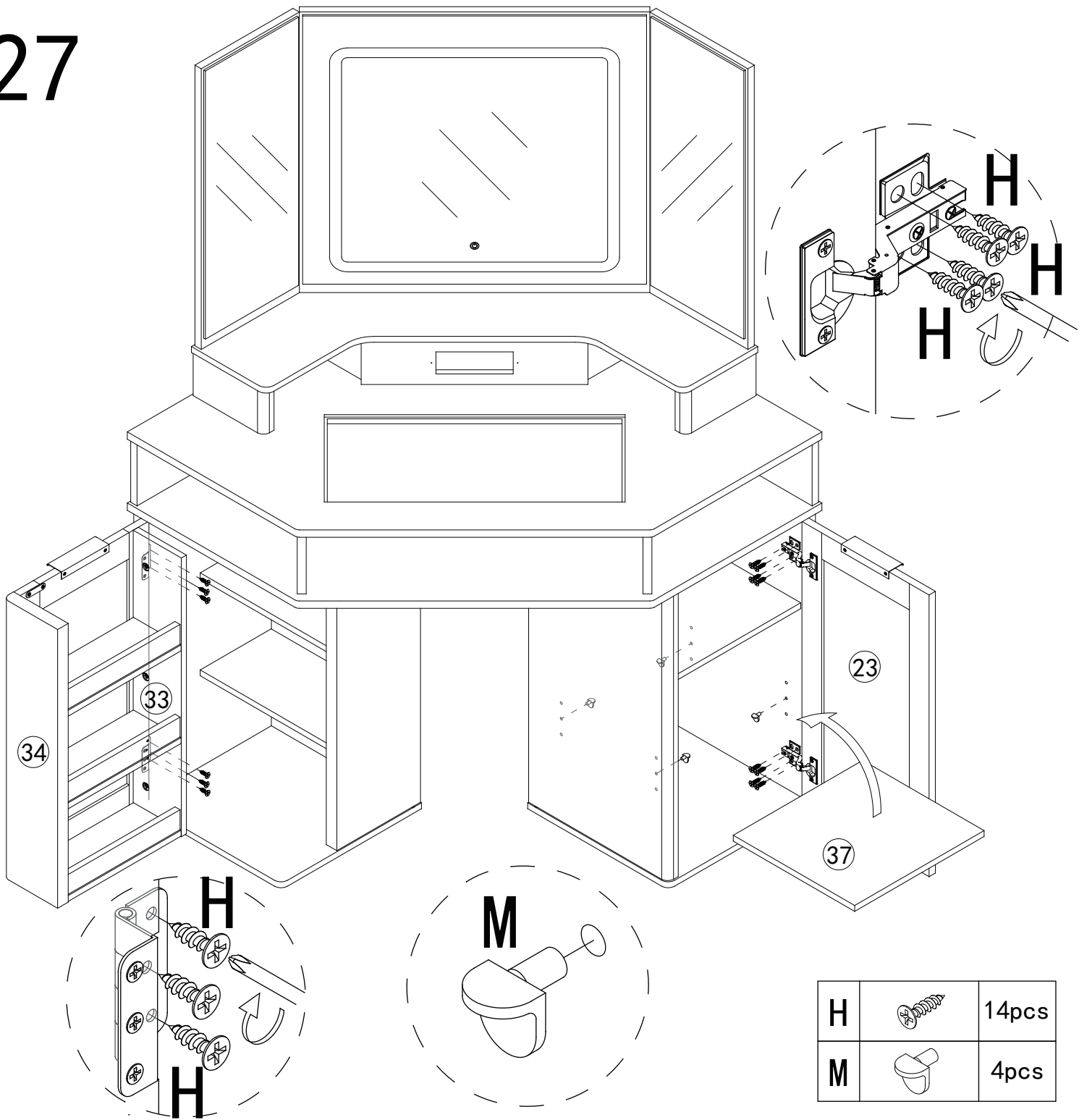


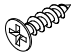

B		6pcs
C		8pcs
E		2pcs
L		1pc

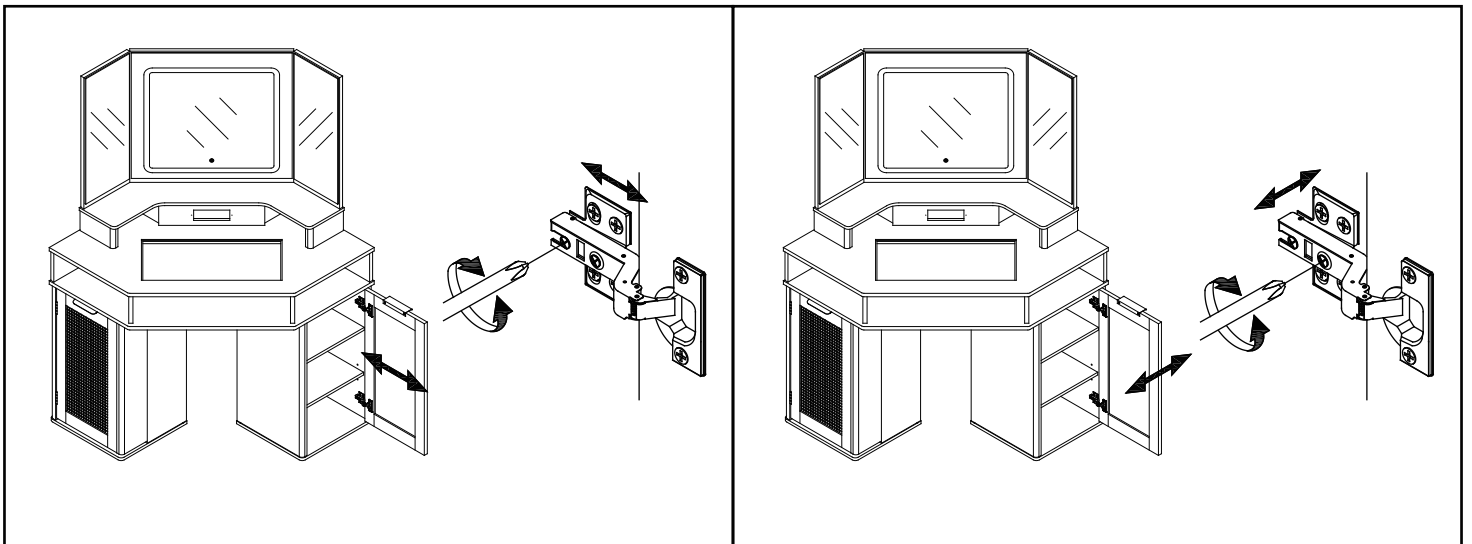
26



E		2pcs
L		1pc
H		4pcs
O		2pcs



H		14pcs
M		4pcs

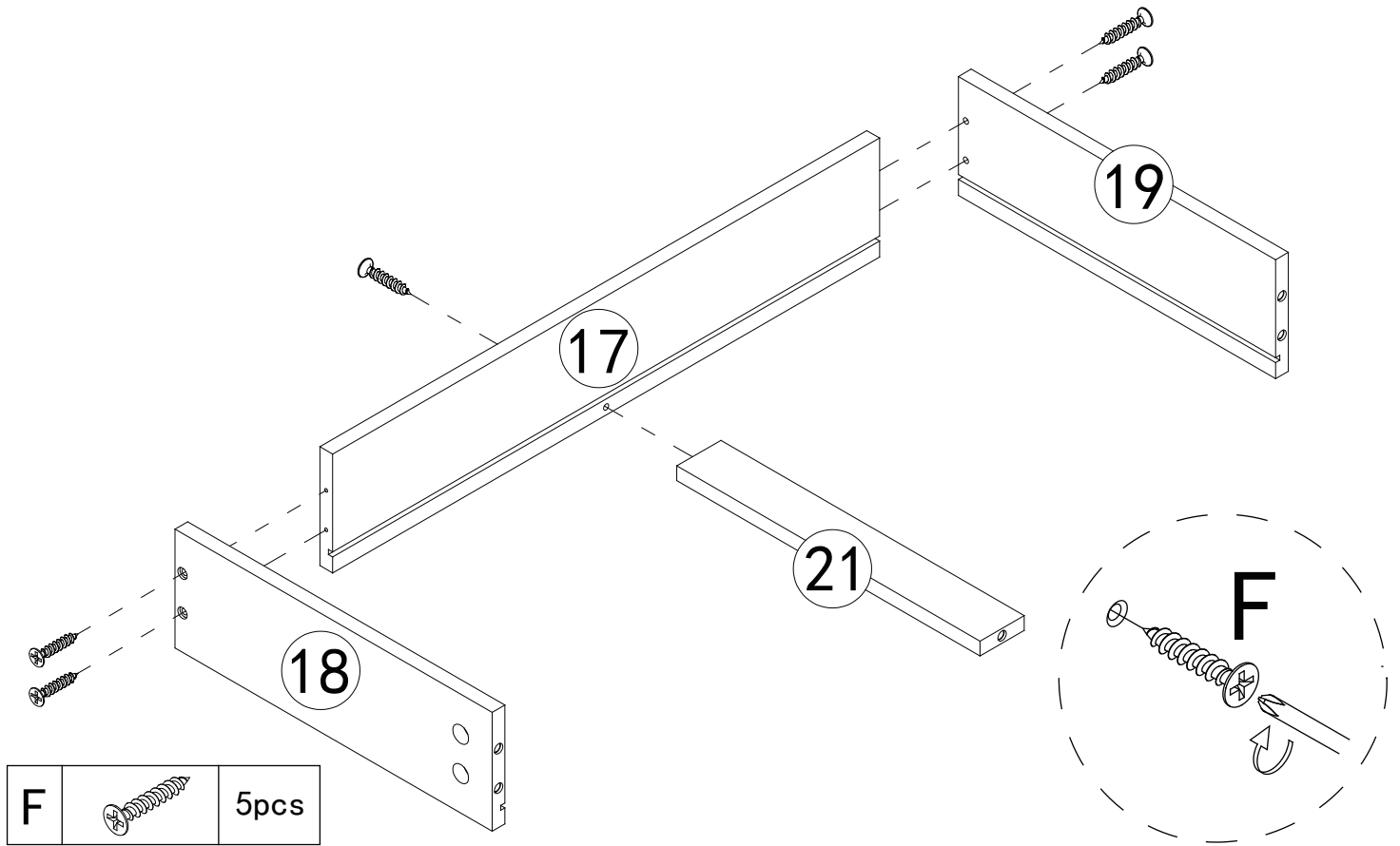


In and out adjustment by loosening the screws on the hinge arm.

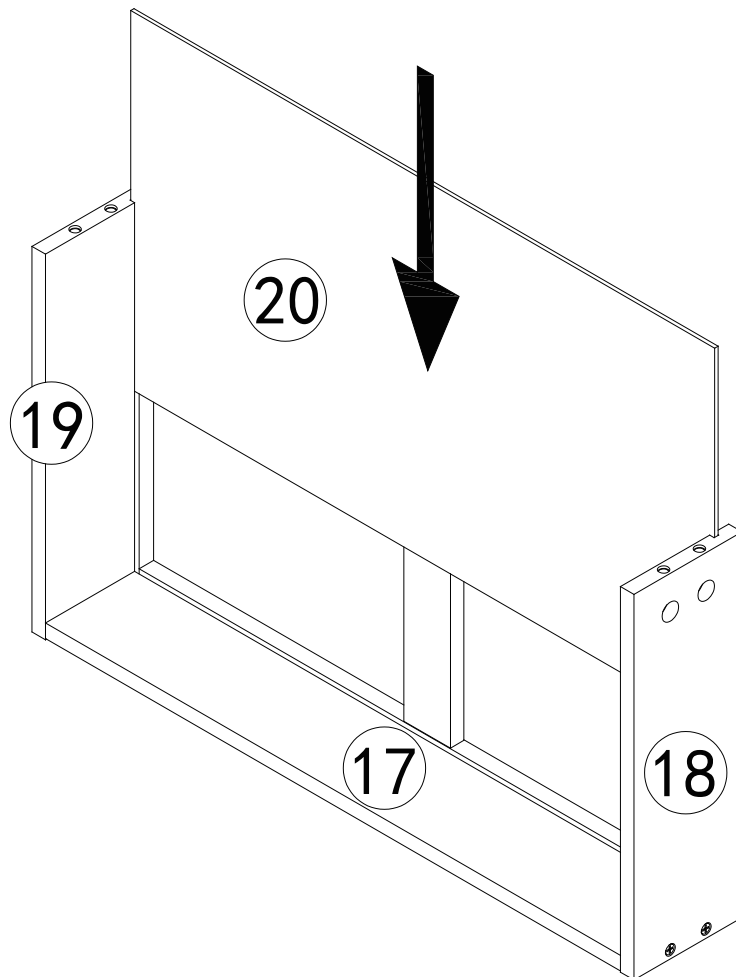
Side to side adjustment using the front adjustment the front adjustment screw on the hinge.

28

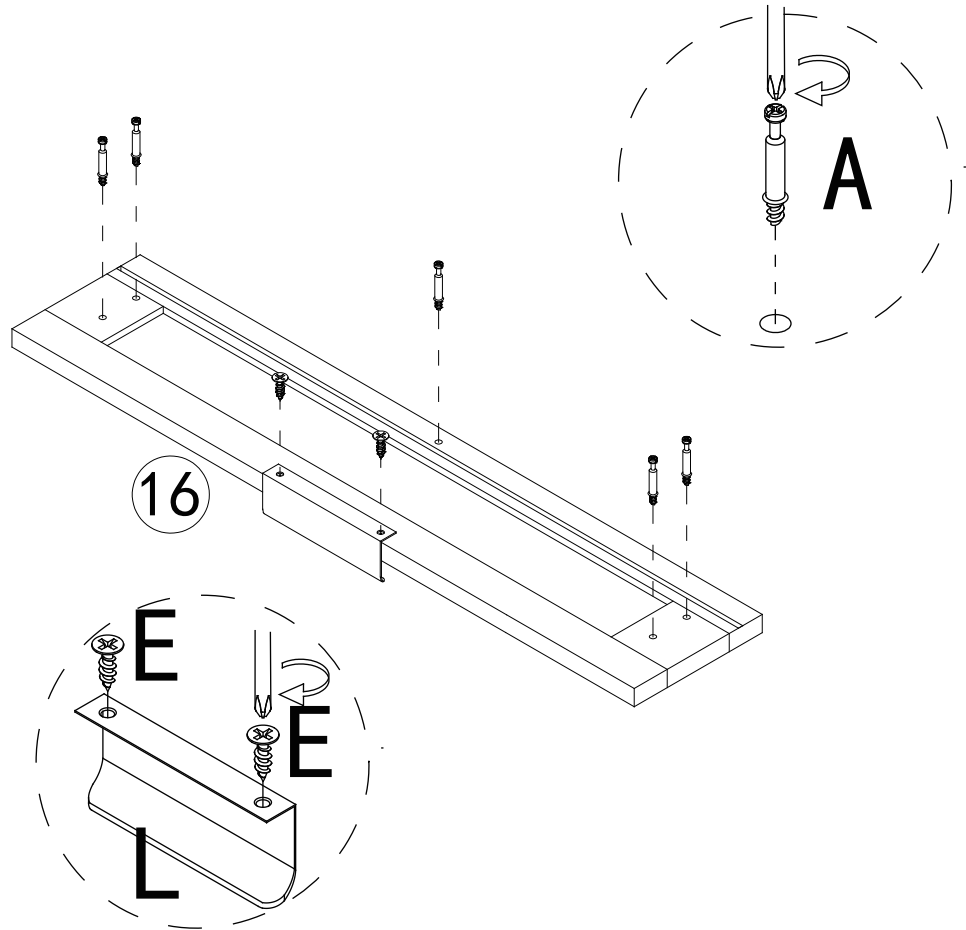
The side panels are flush with the bottom panel.

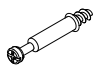

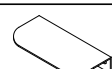


29

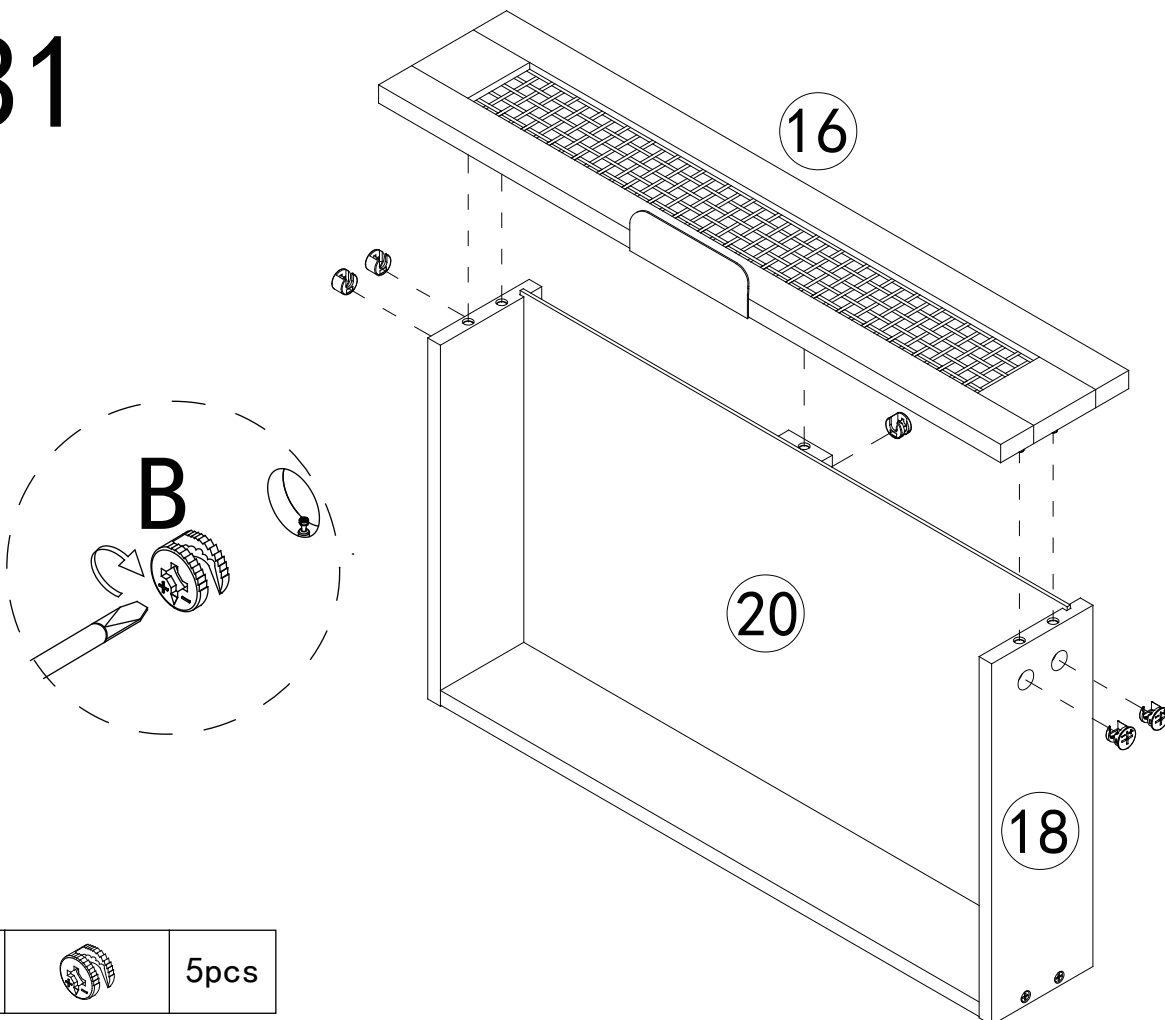



30



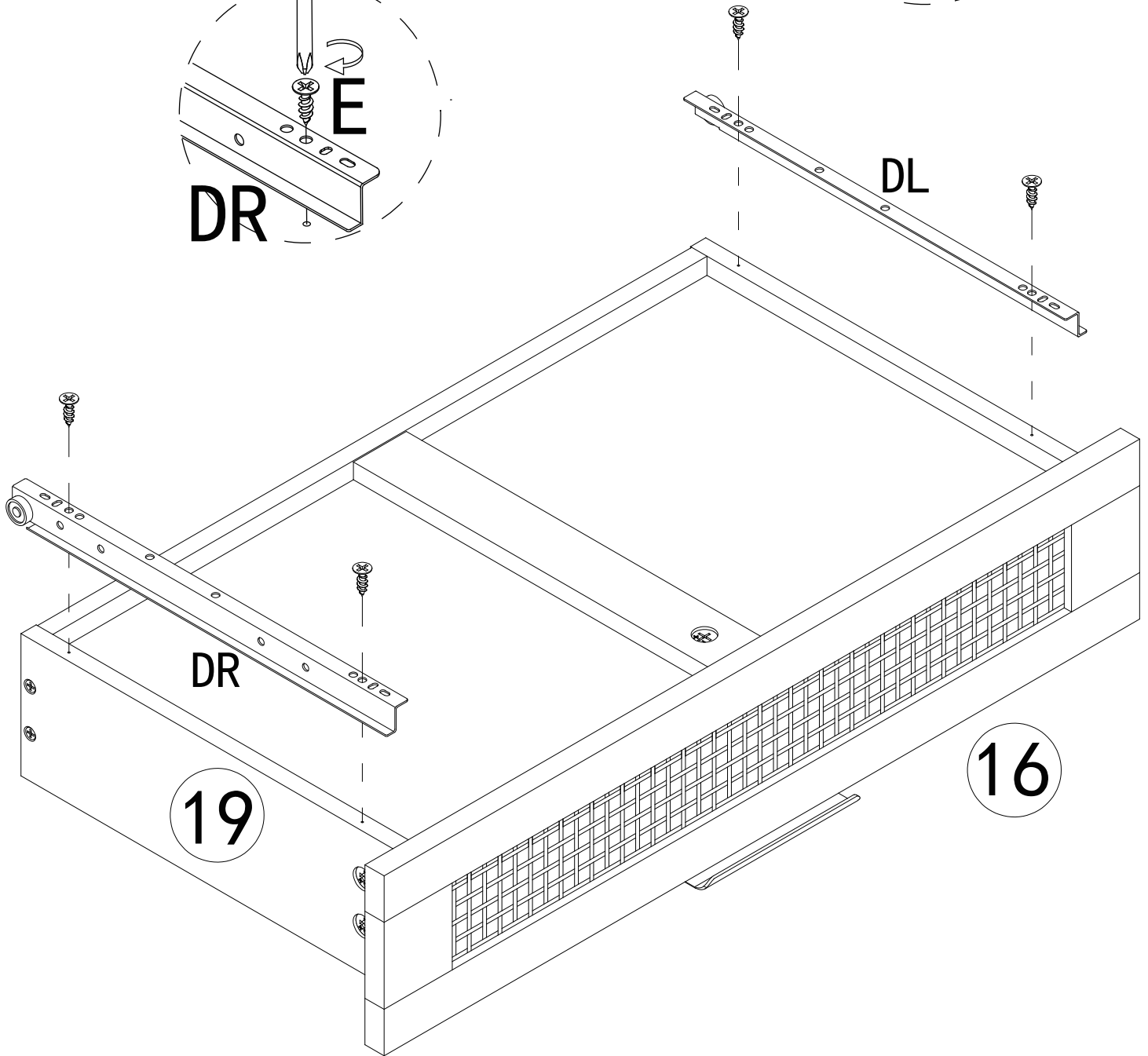
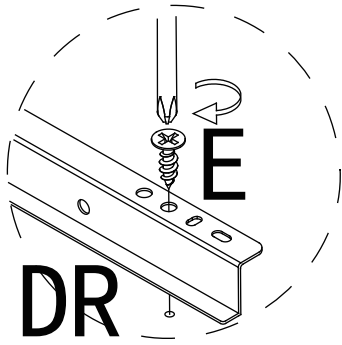
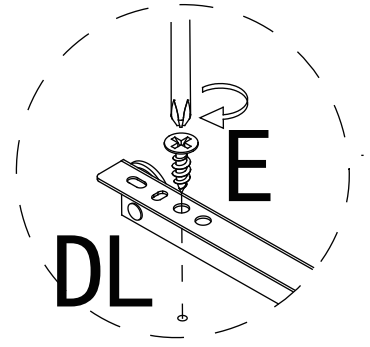
A		5pcs
E		2pcs
L		1pc


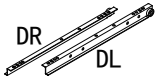
31

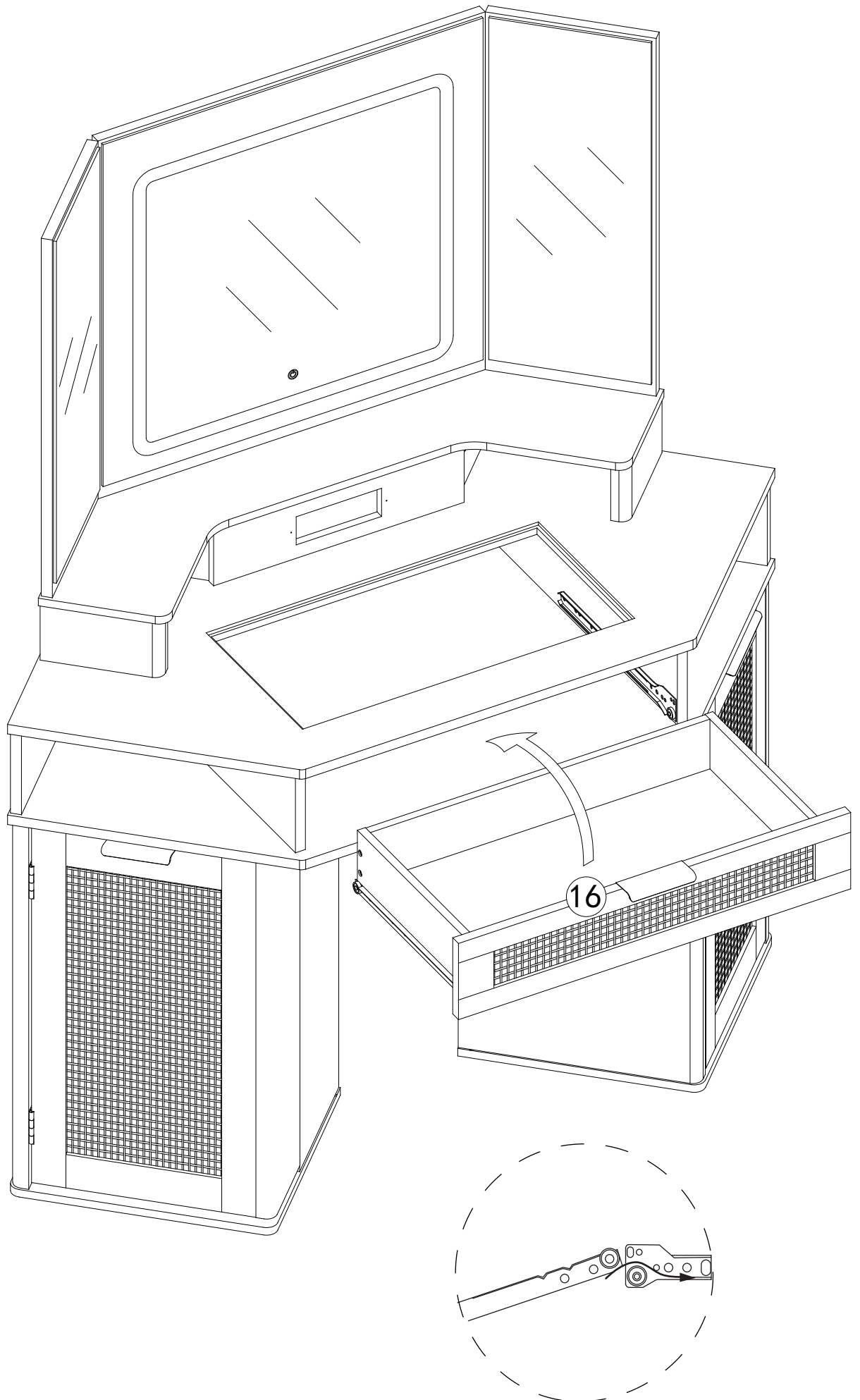


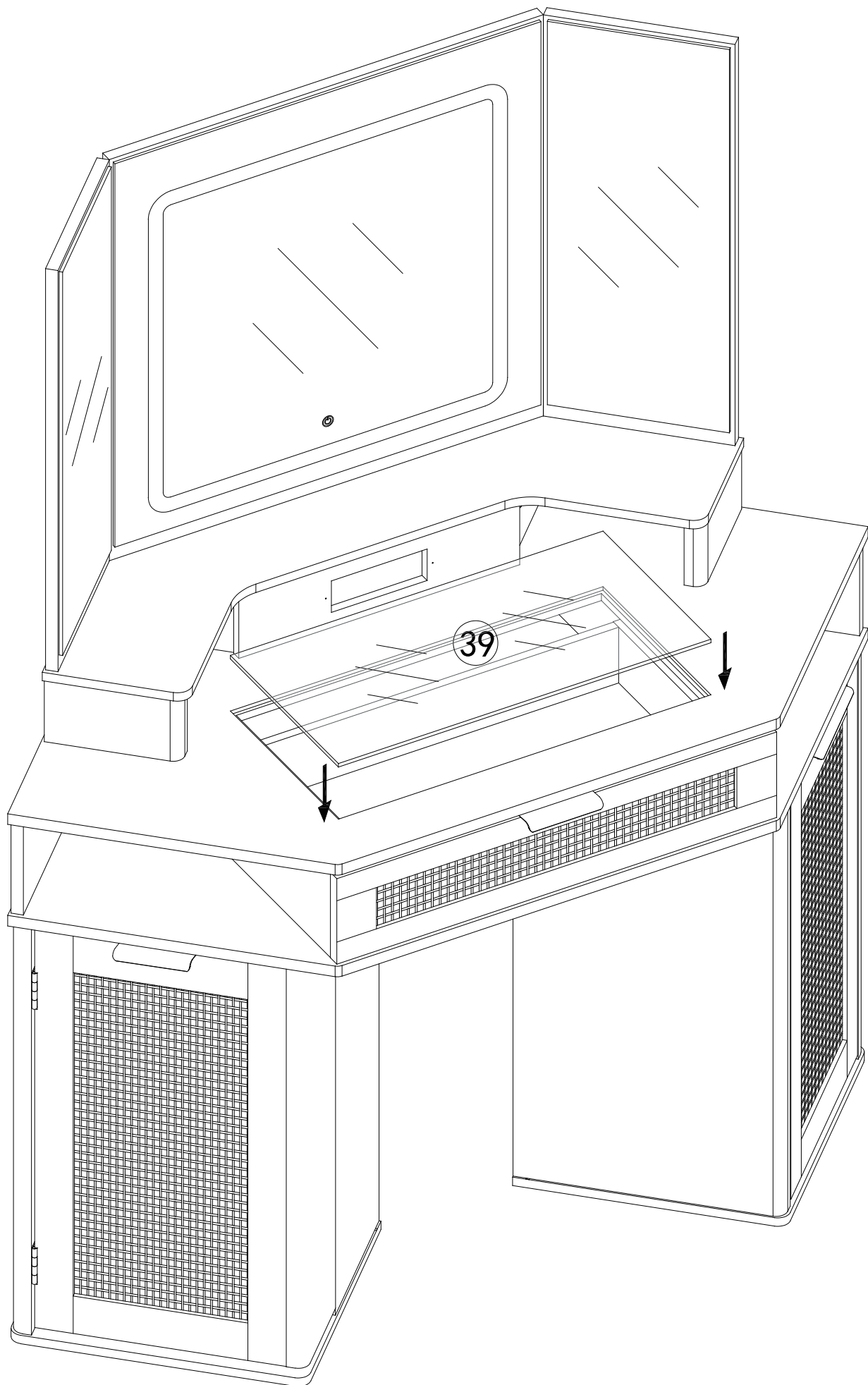
B		5pcs
---	---	------

Pay attention to the hole position.



E		4pcs
DR DL		1pc

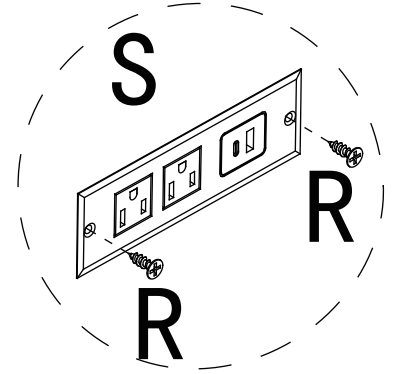
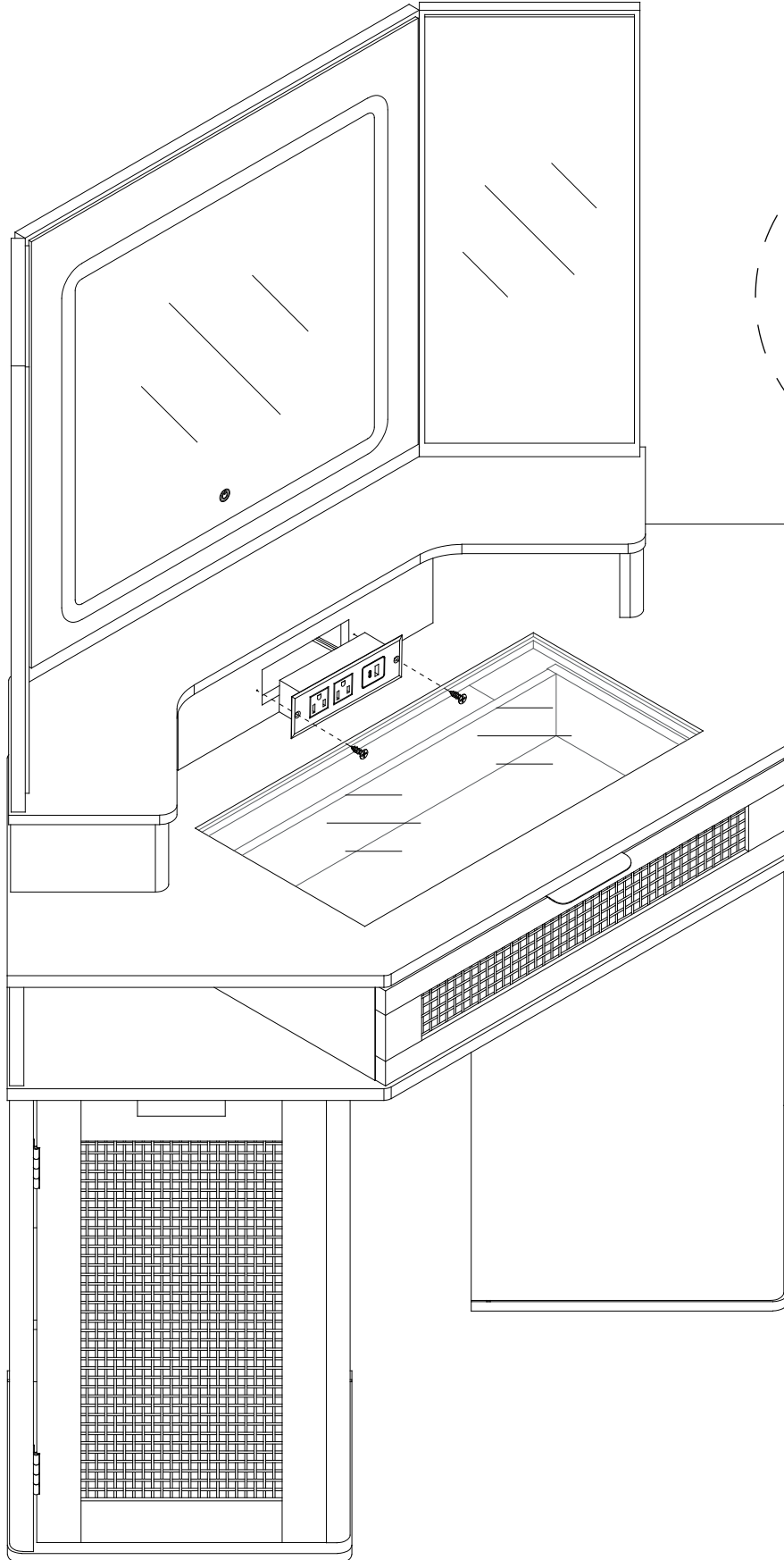






35

Note: When moving the cabinet, please lift it vertically off the ground.
Dragging may cause loose connectors, affecting stability and service life.

1. Remove the protective film from the surface of the mirror before use.
2. Touch the switch to switch the color of the light; White light, warm light, neutral light.
3. Under any light, press and hold the switch to adjust the brightness of the light.



R		2pcs
S		1pc