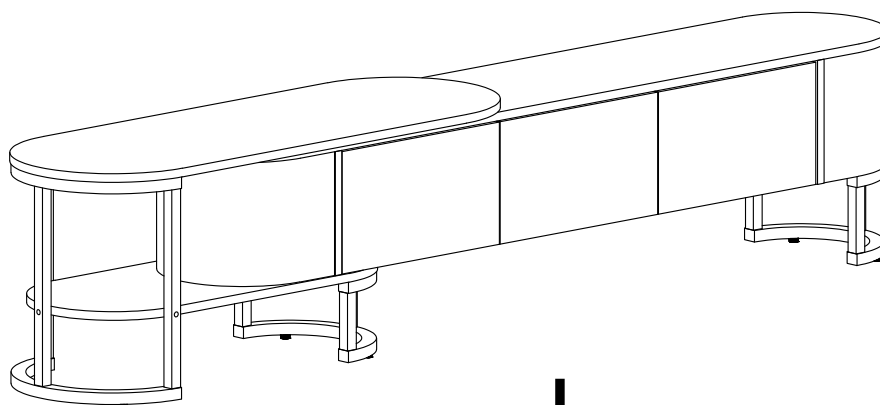
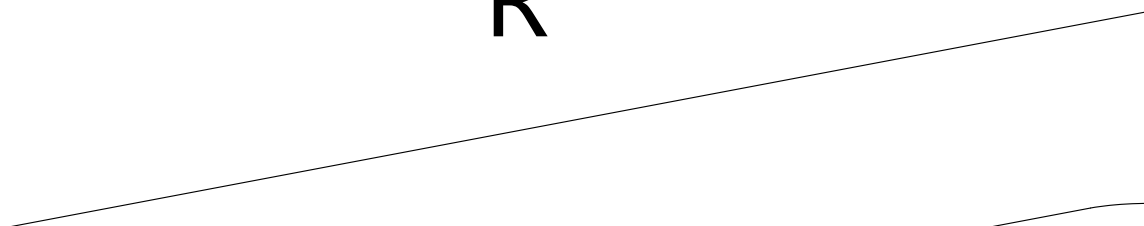
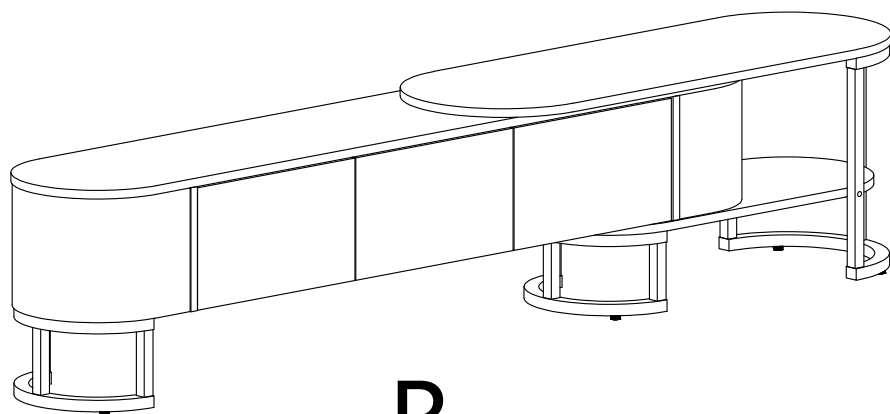


TV STAND

Assembly Instructions - Please keep for future reference.



DIMENSIONS

width - 63.2inch

Depth - 13.8inch

Height - 16.1inch

Important - Please read these instructions fully before starting assembly.

1. Thank you for choosing *our products*.

2. Return Policy



DO NOT RETURN TO THE STORE! Skip the process of returning your product and contact us directly for a replacement

If you find that parts of your order are missing or damaged, we will gladly ship any needed replacement parts free of charge.

If your product's quality does not meet your expectations or you have found any sort of defect, please contact our customer service department and let us know the details of your order and any issues encountered, we will try our best to provide you with a solution. Feel free to also directly contact our manufacturer concerning needed replacement parts and they will be happy to help provide you with a solution or answer any questions you may have.

Recommendations Before Beginning Assembly



• Read instructions, cover to cover



• Have 2-4 adults on hand for assembly depending on product size



• Do not assemble directly on flooring or carpet



• Assemble on a clean non-marring surface (example: packing foam)



• Save all packaging until finished











3. Assembly Notice:

- If you encounter any problems during assembly and find that you cannot continue, rest assured we will help you solve the situation as soon as possible. Simply keep all of the parts of the product stored in a safe place and contact us immediately so we may assist you further.
- Once you have opened your package, remove all inner hardware packages and take the parts out. One by one, Place the parts out neatly in front of you, then refer to the instructions to ensure no parts are missing. If any pieces are found missing, please carefully look in the box first, as the hardware packaging might have torn making the hardware spill in the box.
- Some key parts of your product may be stored and hidden inside of other parts. Please open any zippered or hook & loop storage compartments to remove all parts. (example: cushions and legs being stored in the underside of a sofa)
- **IMPORTANT:** When setting up your product, **DO NOT INSTALL THE SCREWS ALL THE WAY IN THE BEGINNING.** Place each screw into their proper hole and use your hand to twist the screw halfway. Twist all the screws in halfway to ensure the holes will match up properly and the product is level on the ground. When everything seems fitted, then

tighten the screws.

- When you have completed assembly, we suggest you have more than one person to assist you with lifting and placing the product.

Care & Maintenance

- ⊘  ● Do not put hot items directly on furniture surface
- ⊘  ● Do not clean furniture with harsh cleansers or polish
- ⊘  ● Do not place furniture under direct sunlight
- ⊘  ● Do not place furniture near heating or cooling vents
- ⊘  ● Do not write on furniture without a padded barrier to protect the surface
- ⊘  ● Do not place furniture outside. For indoor use only
- ⊘  ● Not for commercial use. For residential use only
- ⊘  ● Stains may be removed with mild soap solution and damp cloth
- ⊘  ● Children should not climb or jump on the furniture
- ✓  ● Dust and pick-up spills using a clean, non-colored, lint-free cloth

Caution

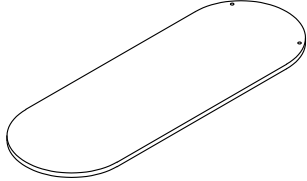
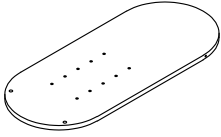
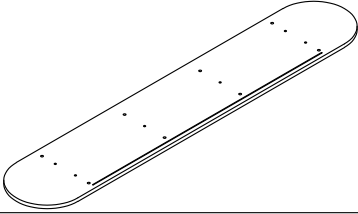
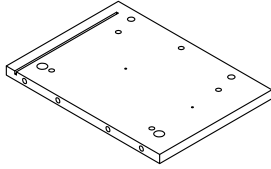
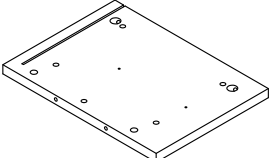
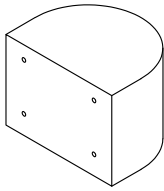
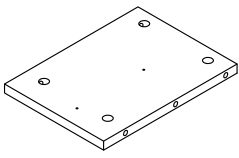
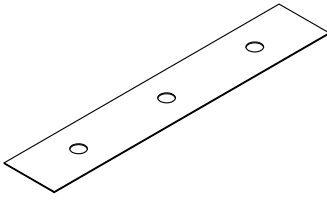
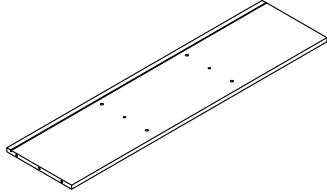
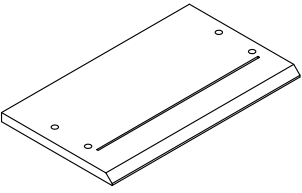
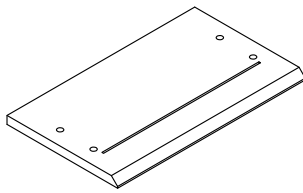
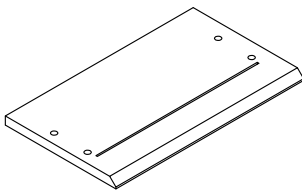
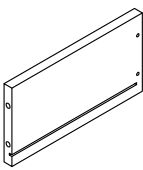
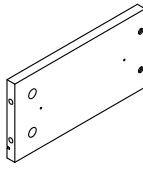
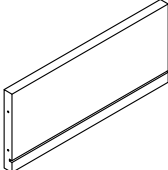
- This product contains small components. Please ensure that they are kept away from small children.
- Do not use power tools to assemble your furniture. Power tools may strip or damage the parts.



components - fittings

Please check you have all the panels listed below.

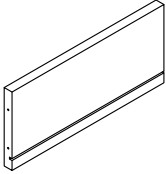
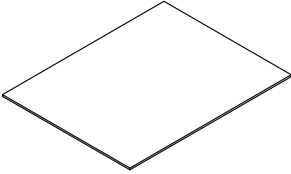
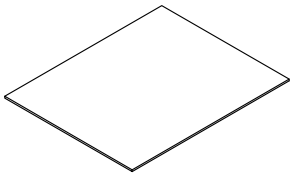
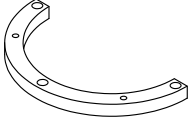
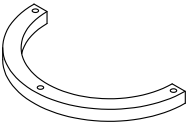
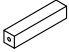
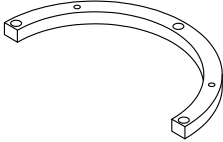
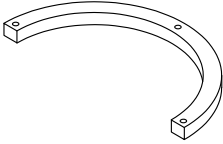
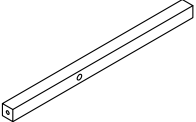
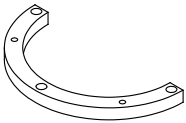
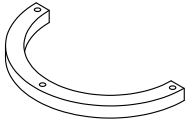
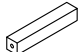
Note: The quantities below are the correct amount to complete the assembly. In some cases more fittings may be supplied than are required.

			
① x 1pc		② x 1pc	
			
③ x 1pc		④ x 1pc	⑤ x 1pc
			
⑥ x 2pcs	⑦ x 2pcs	⑧ x 1pc	
			
⑨ x 1pc		⑩ x 1pc	⑪ x 1pc
			
⑫ x 1pc	⑬ x 3pcs	⑭ x 3pcs	⑮ x 2pcs

components - fittings

Please check you have all the panels listed below.

Note: The quantities below are the correct amount to complete the assembly. In some cases more fittings may be supplied than are required.

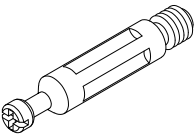

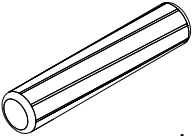
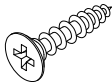
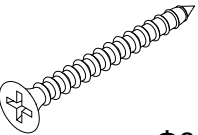
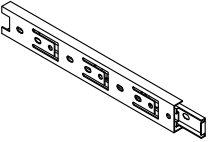
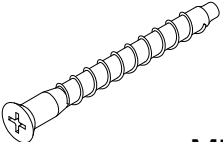
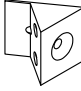
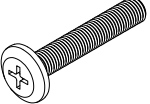
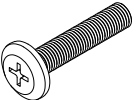
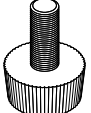
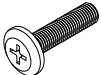
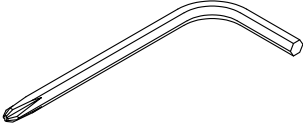
			
①⑥ x 1pc	①⑦ x 2pcs	①⑧ x 1pc	①⑨ x 1pc
			
②⑦ x 1pc	②① x 3pcs	②② x 1pc	②③ x 1pc
			
②④ x 3pcs	②⑤ x 1pc	②⑥ x 1pc	②⑦ x 3pcs

components - fittings

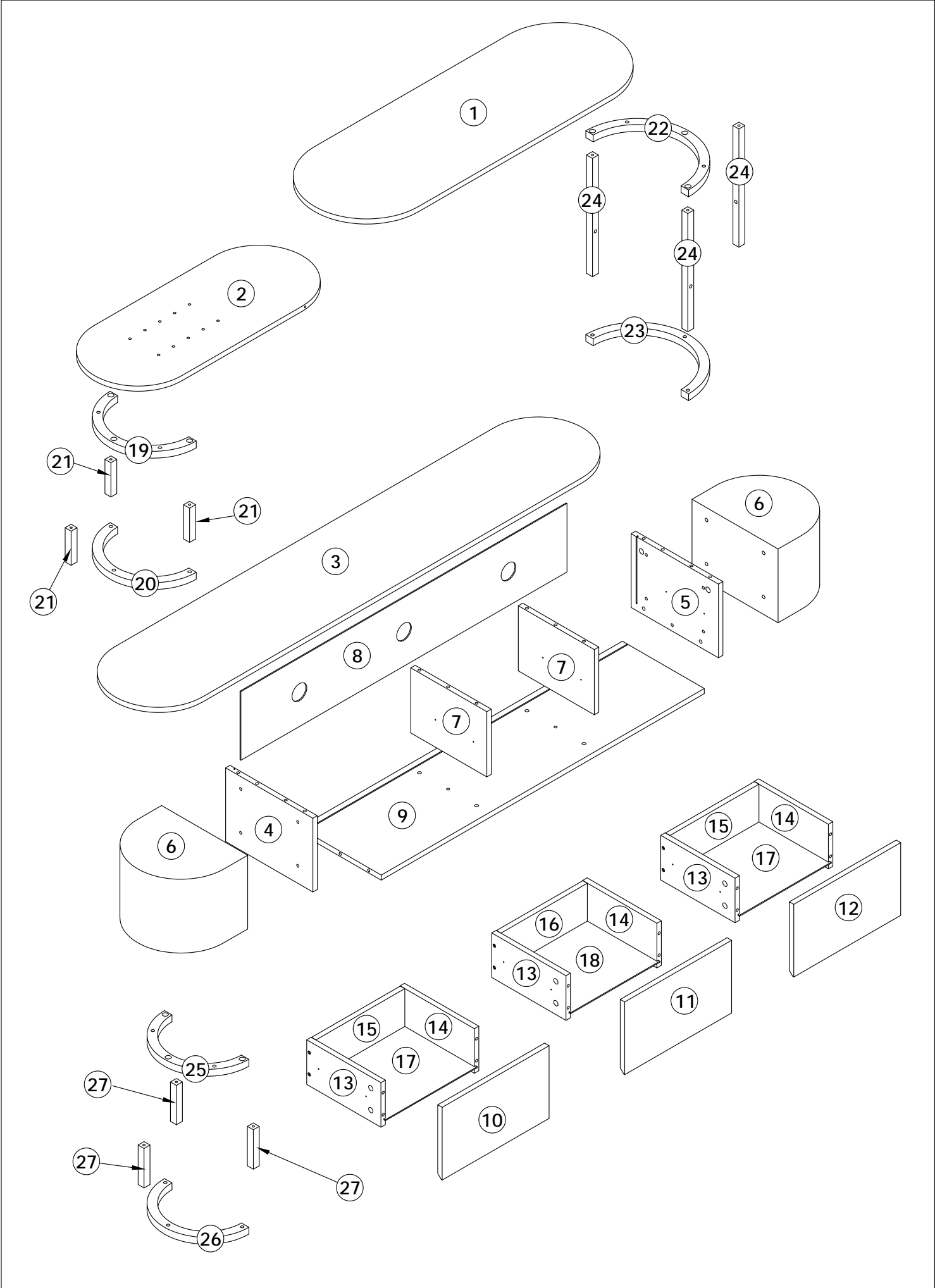
Please check you have all the panels listed below.

Note: The quantities below are the correct amount to complete the assembly. In some cases more fittings may be supplied than are required.

Hardware-Liste

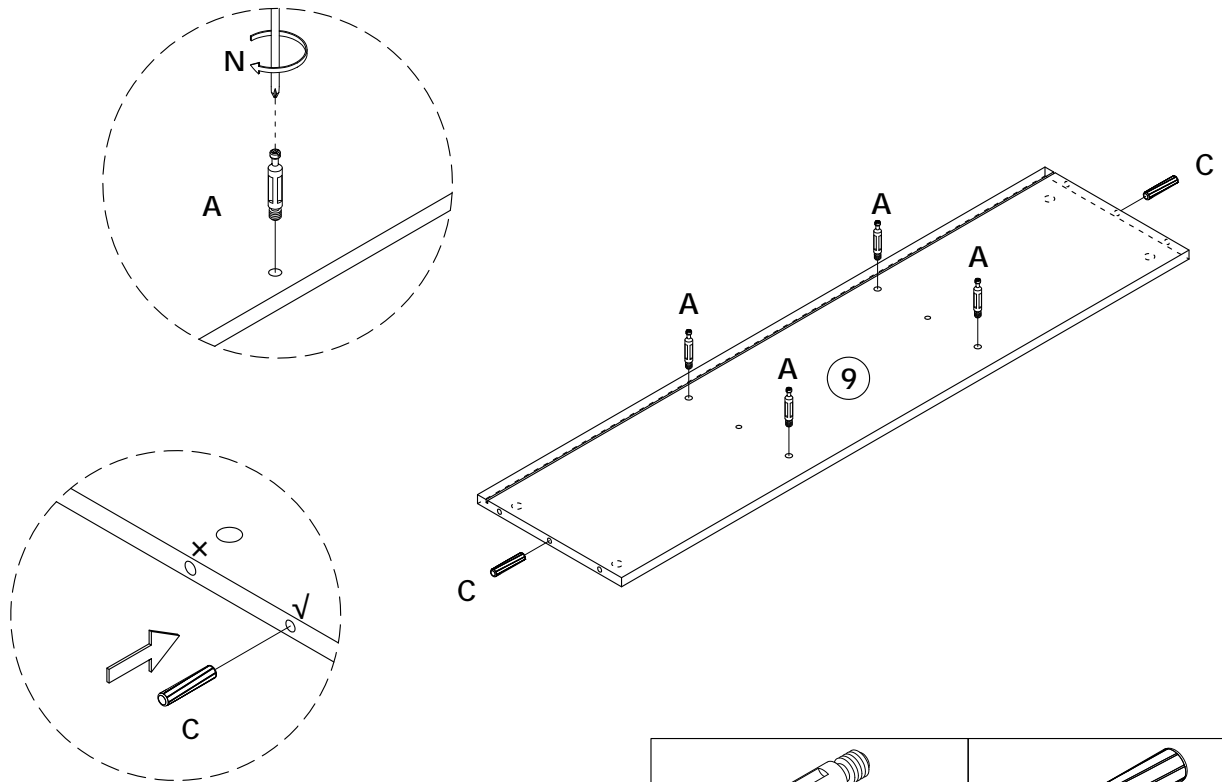
 <p>M6*40</p>	 <p>Φ15*11</p>	 <p>Φ8*40</p>	 <p>Φ3.5*14</p>
A x 28pcs	B x 28pcs	C x 8pcs	D x 30pcs
 <p>Φ3.5*35</p>	 <p>250MM</p>	 <p>M7*50</p>	
E x 12pcs	F x 6sets	G x 5pcs	H x 6pcs
 <p>M6*35</p>	 <p>M6*30</p>		 <p>M6*25</p>
J x 18pcs	K x 6pcs	L x 6pcs	M x 8pcs
			
N x 1pc			

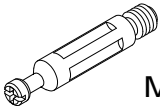
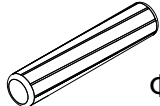
Assembly Instructions



Assembly Instructions

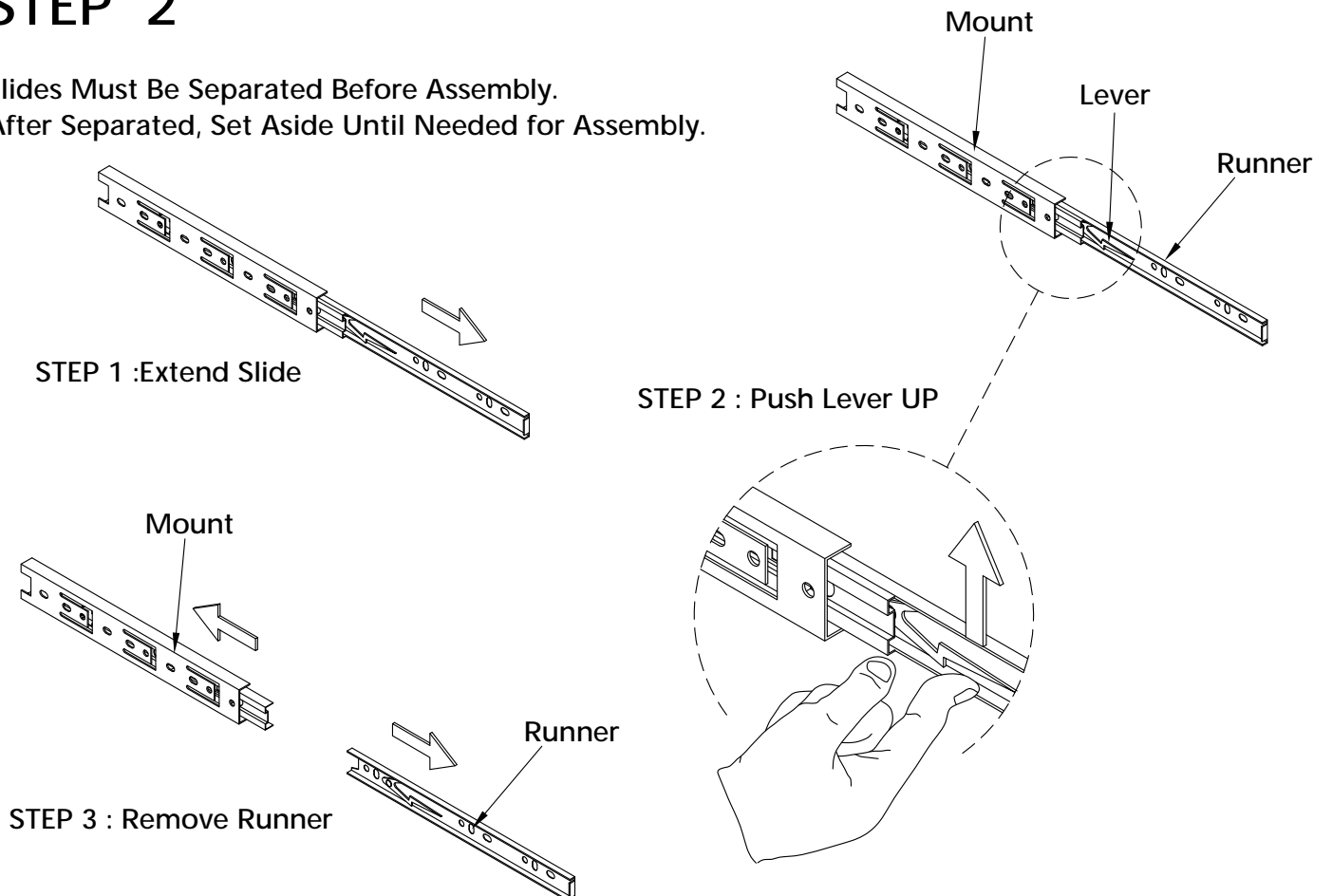
STEP 1



	$M6 \times 40$		$\Phi 8 \times 40$
A x 4pcs		C x 2pcs	

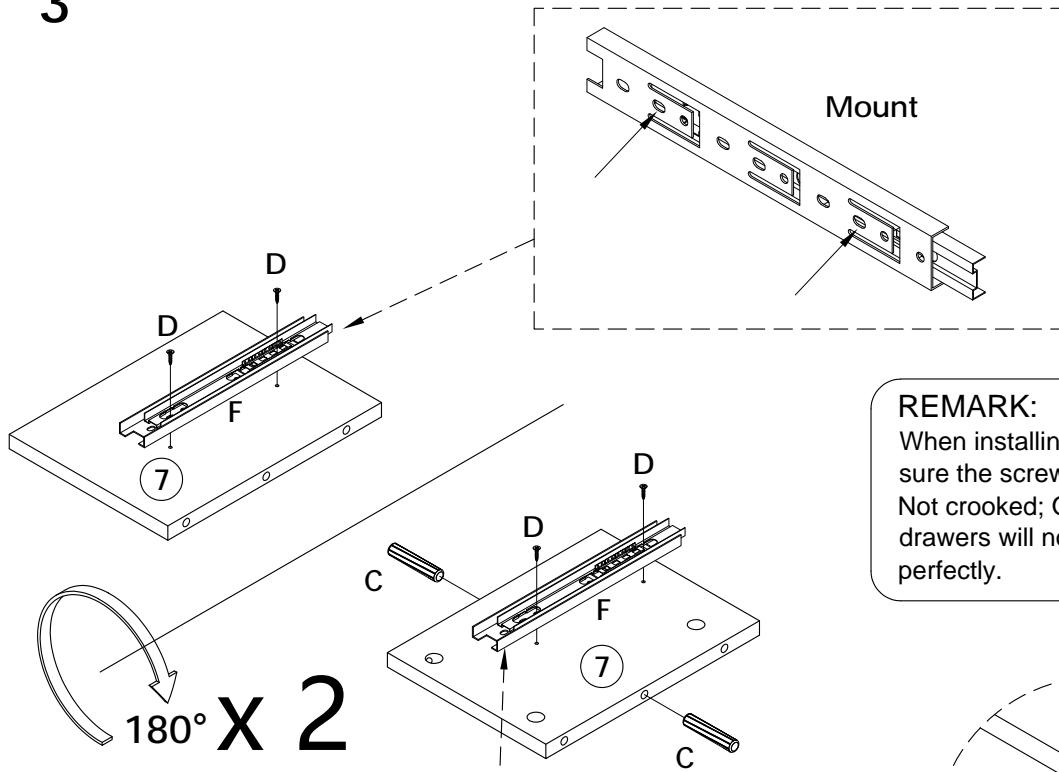
STEP 2

Slides Must Be Separated Before Assembly.
After Separated, Set Aside Until Needed for Assembly.

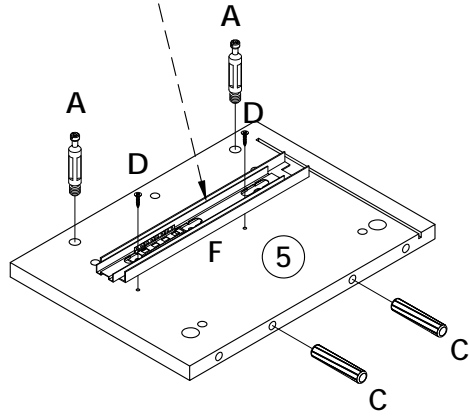
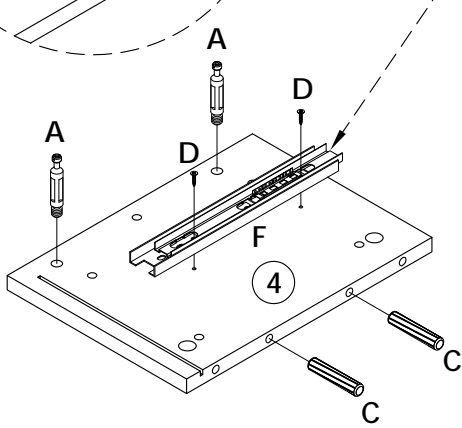
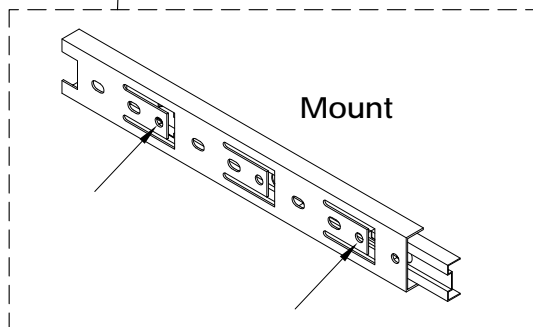
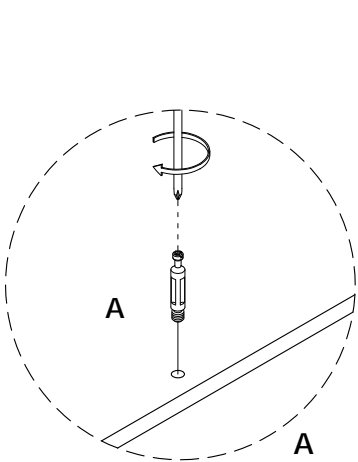
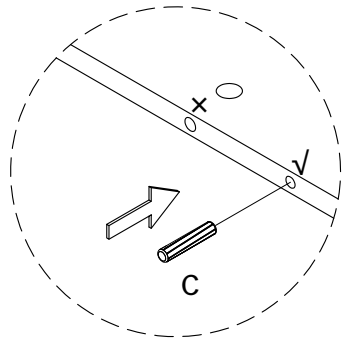


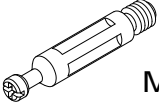
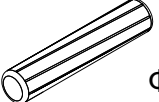
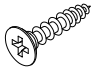
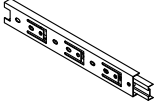
Assembly Instructions

STEP 3



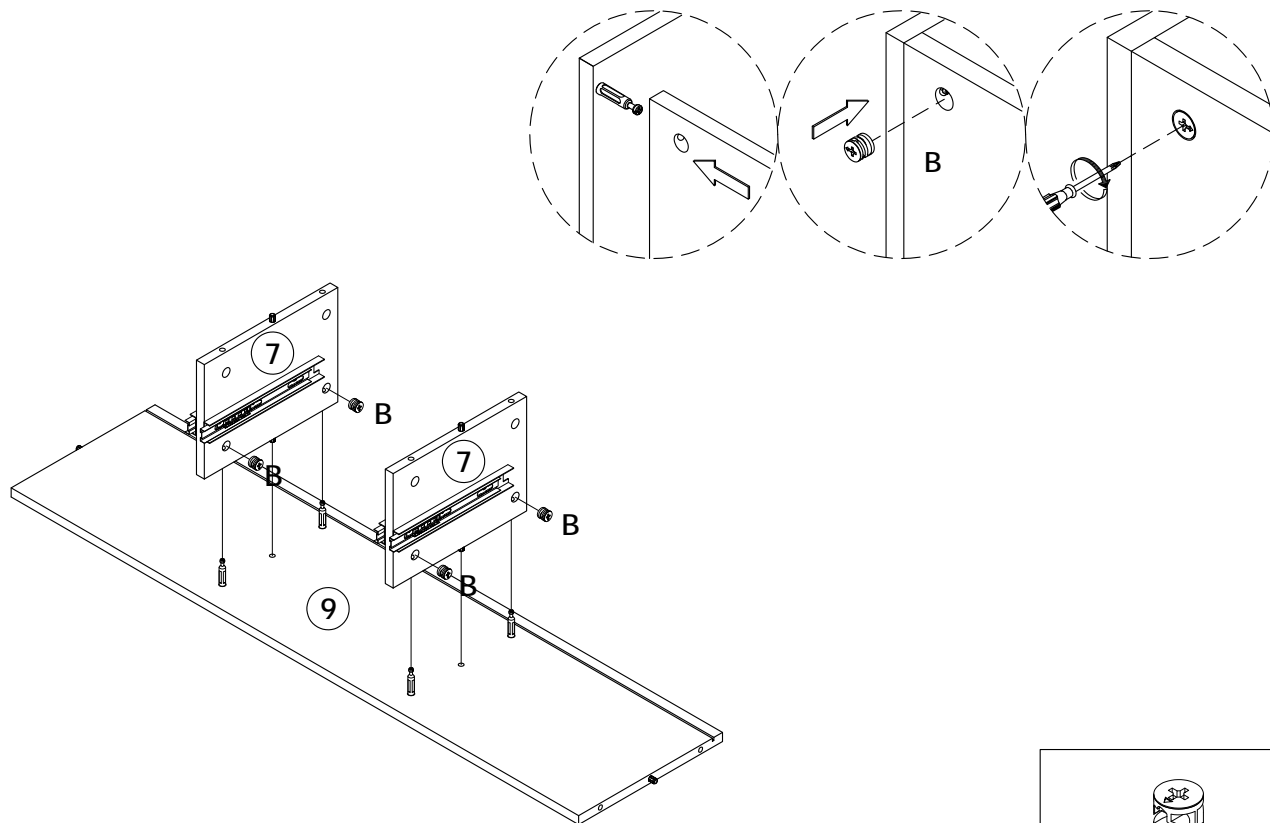
REMARK:
When installing, please make sure the screws are flattened, Not crooked; Otherwise the drawers will not be installed perfectly.



 M6*40	 Ø8*40		 Mount
A x 4pcs	C x 8pcs	D x 12pcs	F x 6pcs

Assembly Instructions

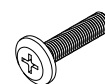
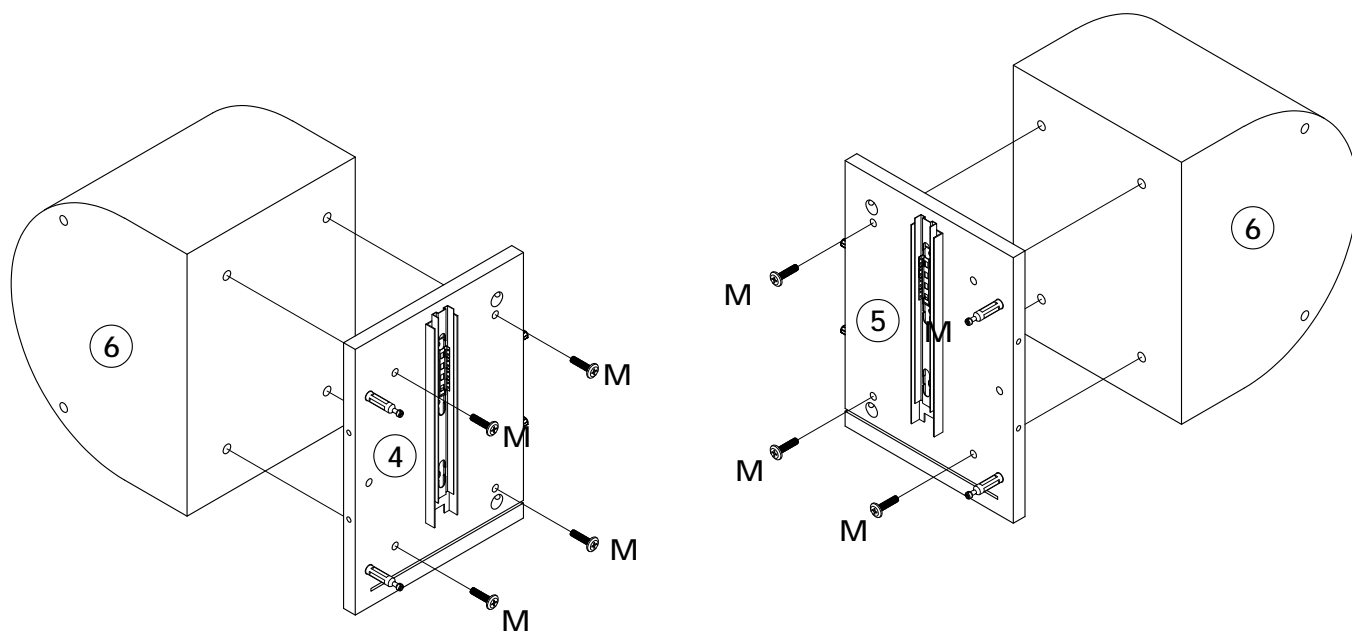
STEP 4



$\Phi 15 \times 11$

B x 4 pcs

STEP 5

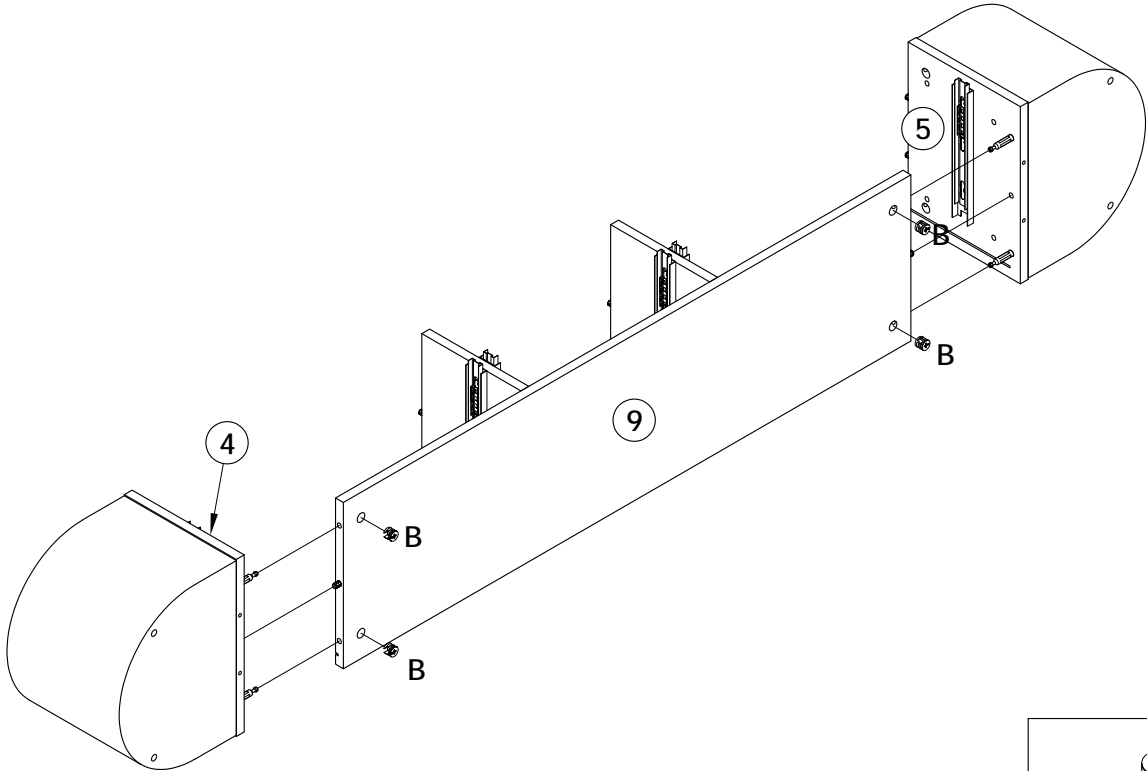



M6*25

M x 8 pcs

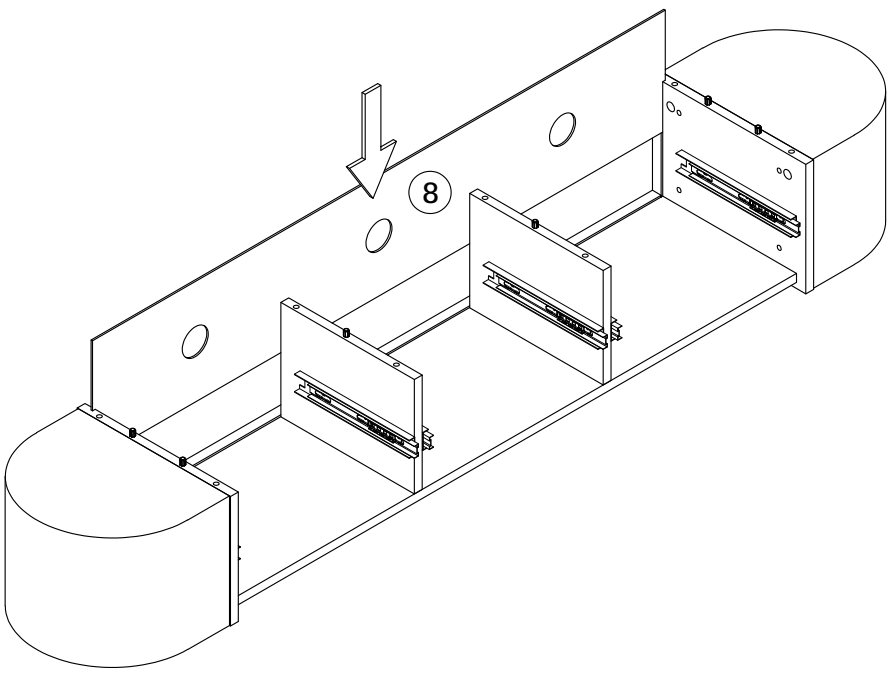
Assembly Instructions

STEP 6



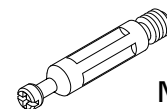
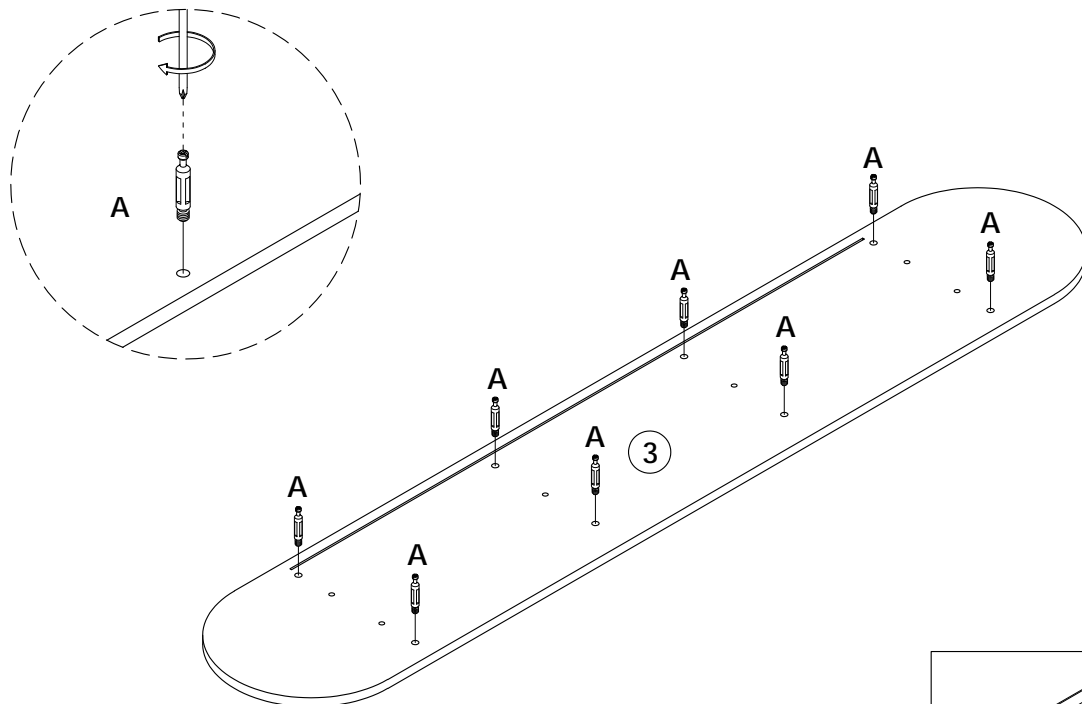
	$\Phi 15 \times 11$
B x 4 pcs	

STEP 7



Assembly Instructions

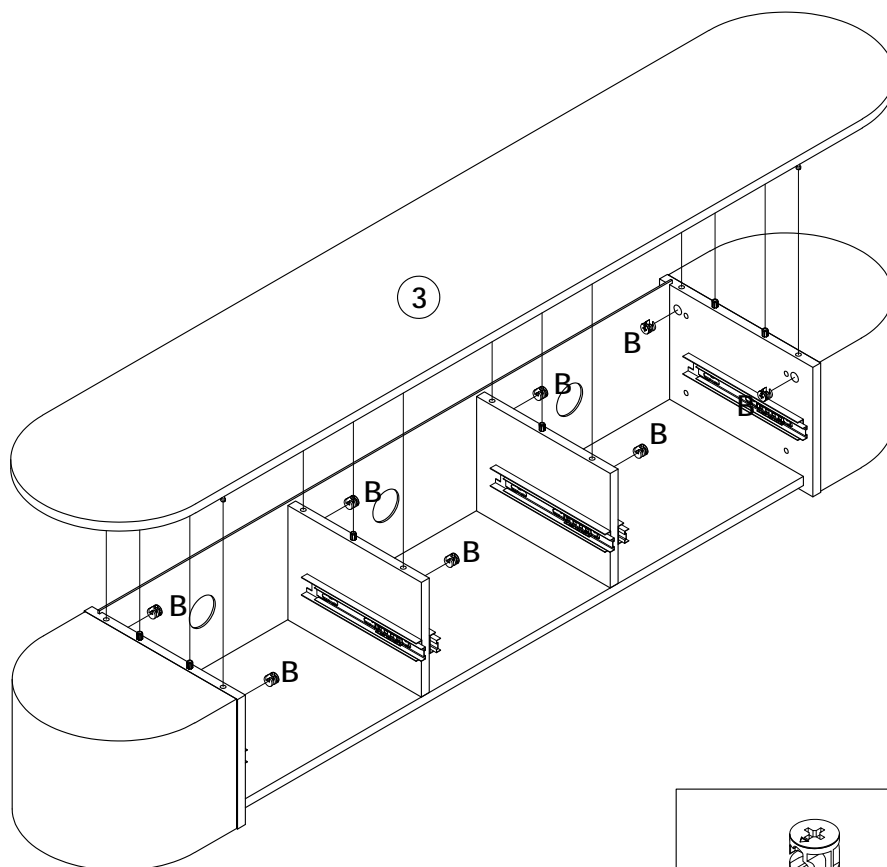
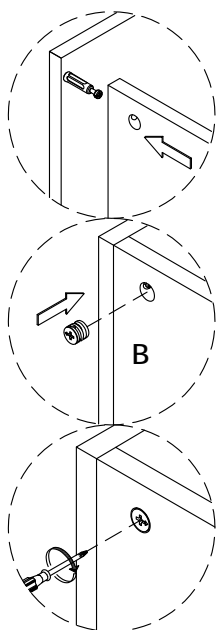
STEP 8



M6*40

A x 8pcs

STEP 9

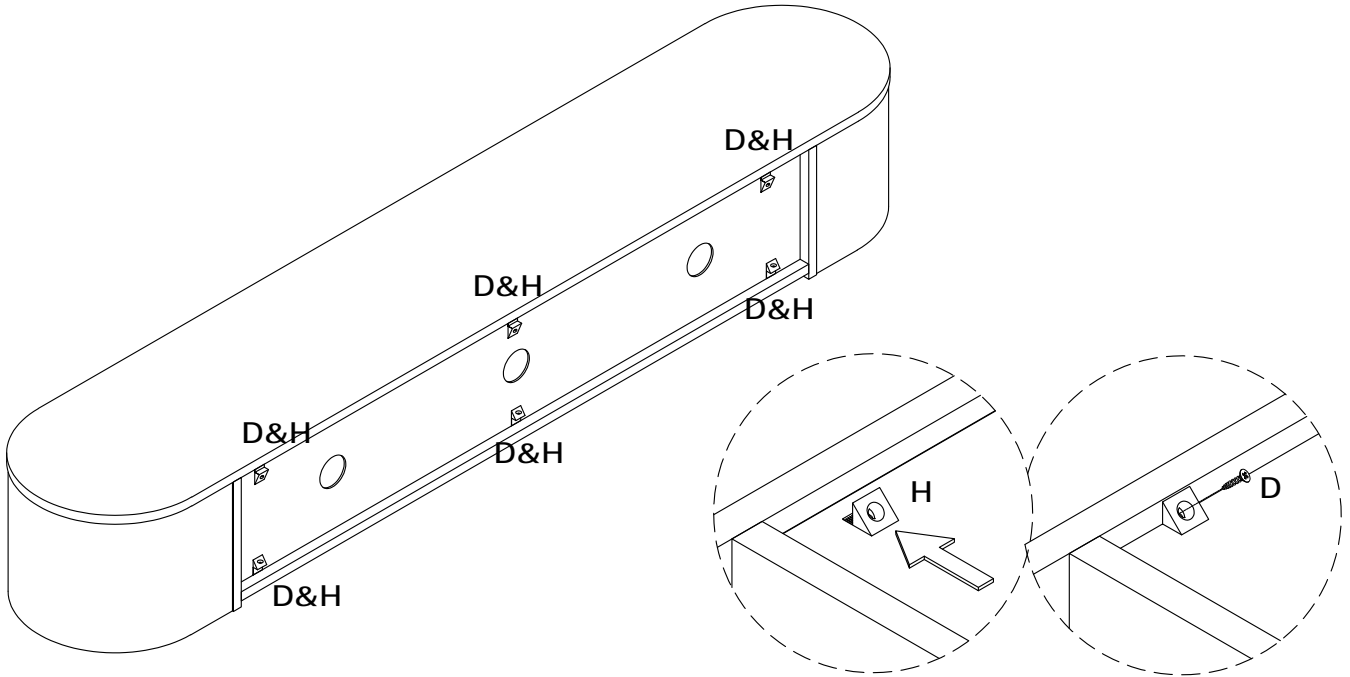


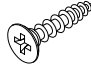
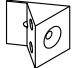
Φ15*11

B x 8pcs

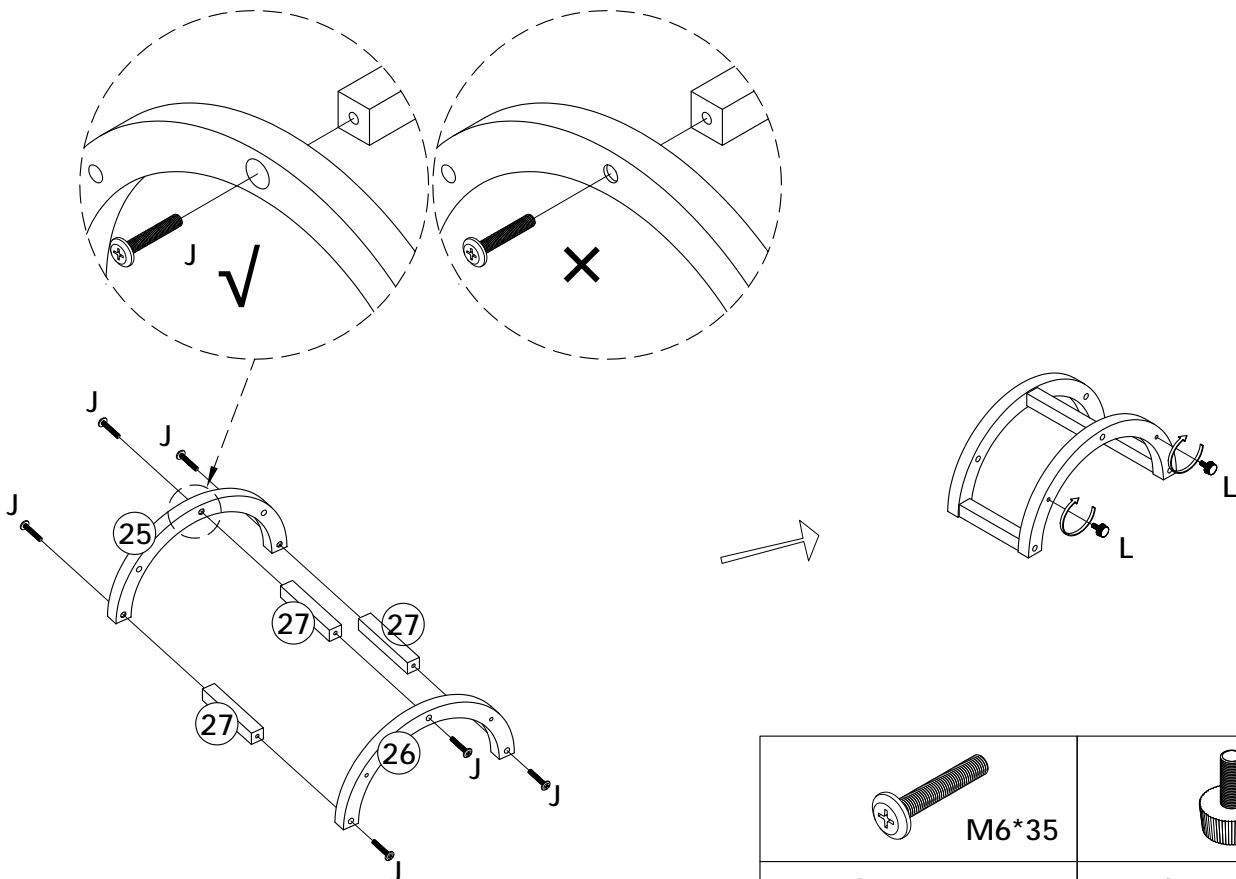
Assembly Instructions

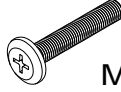
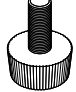
STEP 10



 $\Phi 3.5 \times 14$	
D x 6pcs	H x 6pcs

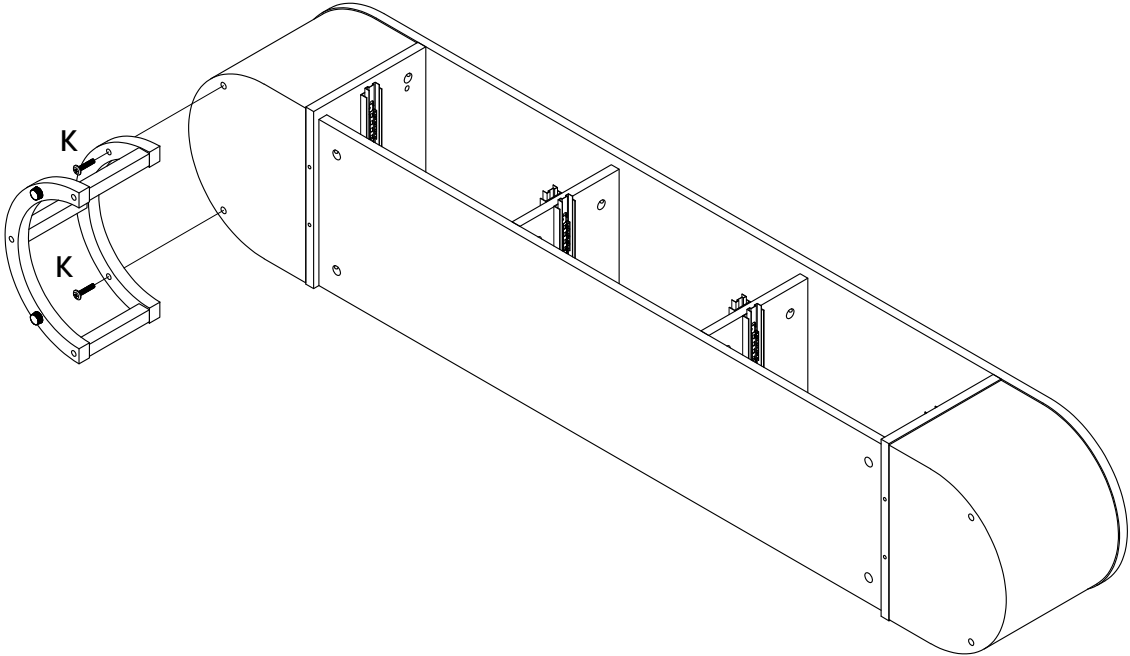
STEP 11



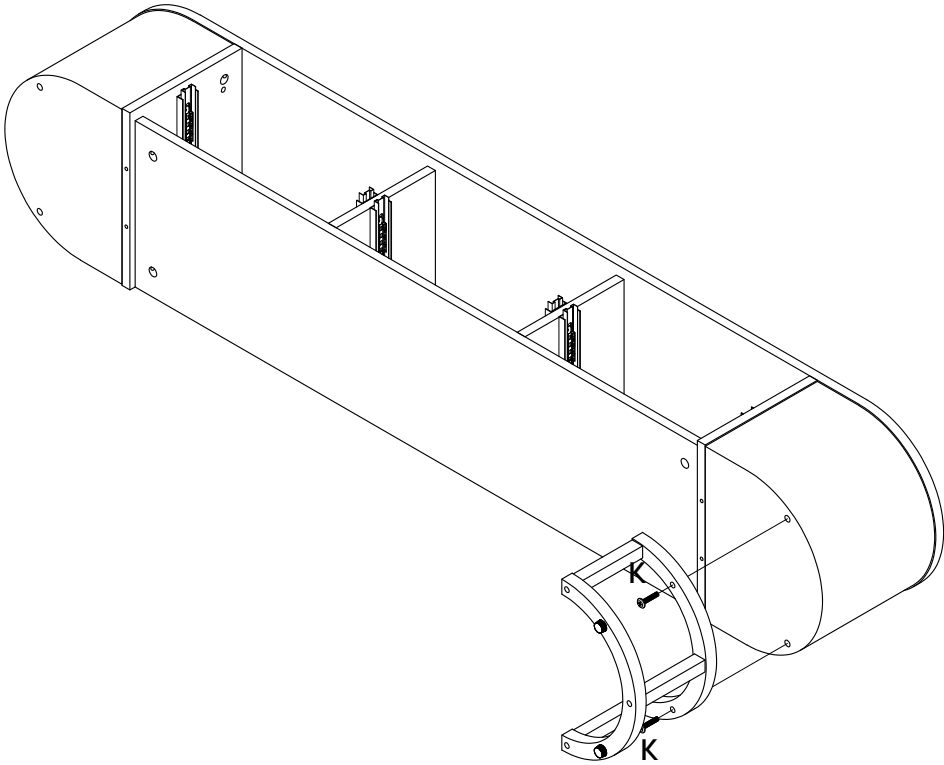
 M6*35	
J x 6pcs	L x 2pcs

Assembly Instructions

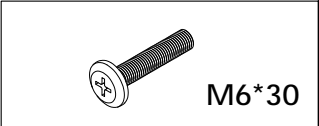
STEP 12



R



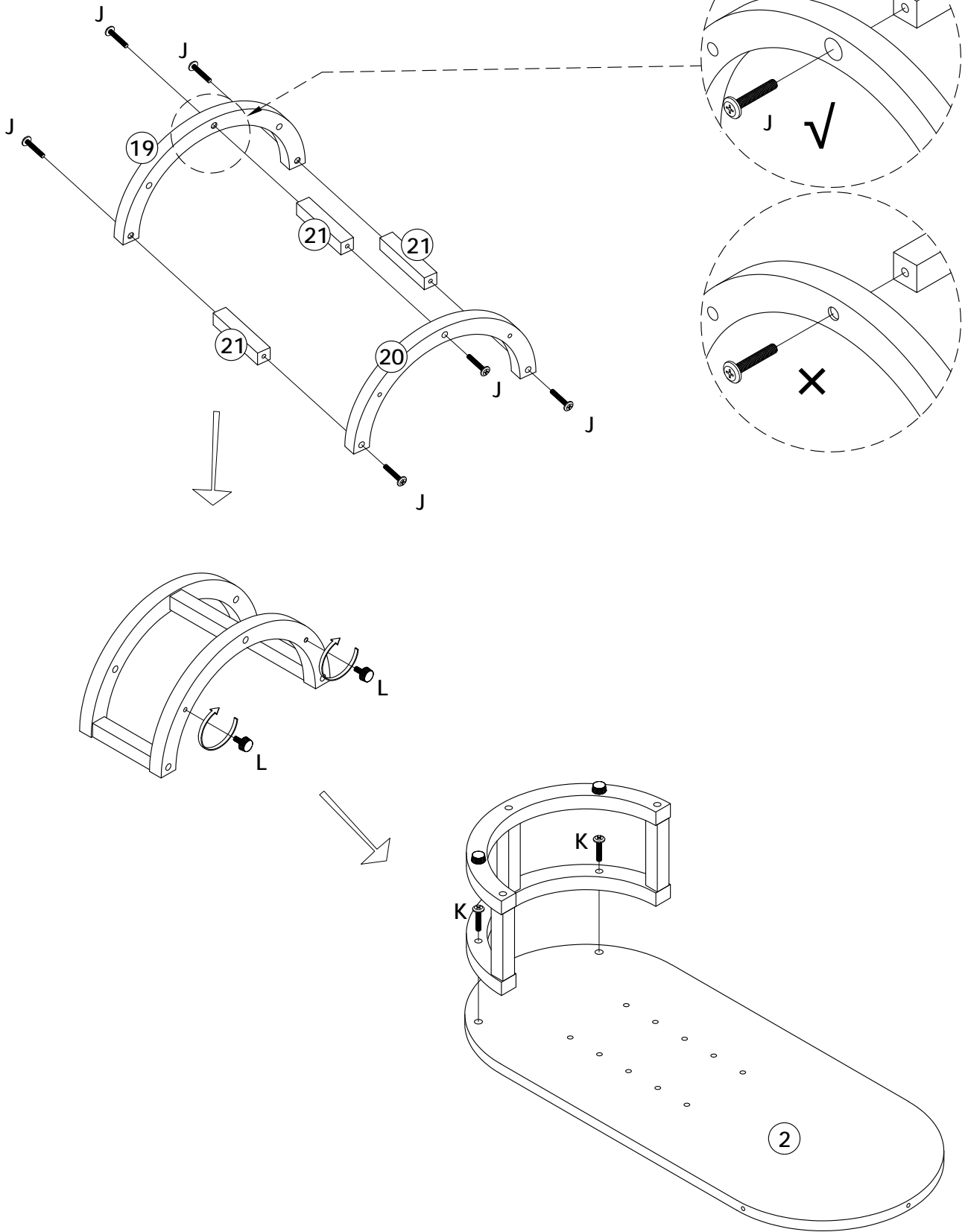
L

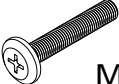
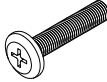
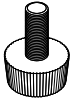


K x 2pcs

Assembly Instructions

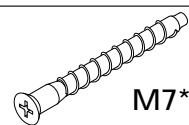
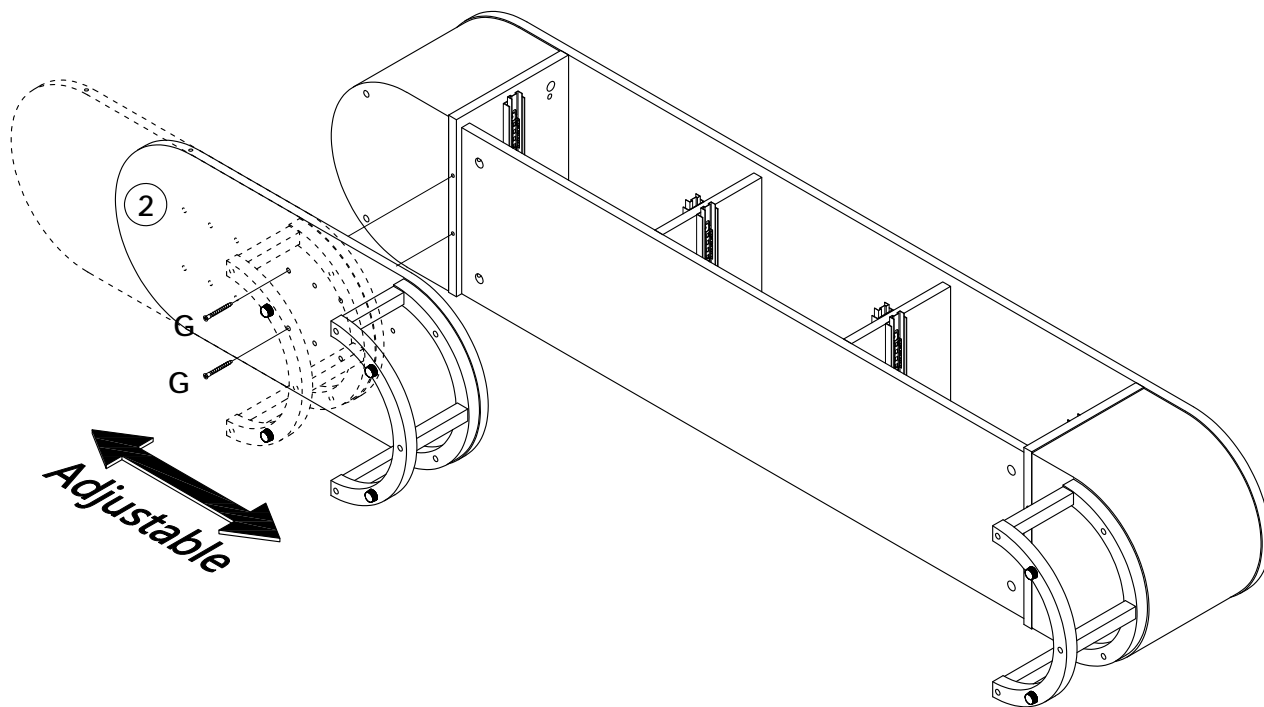
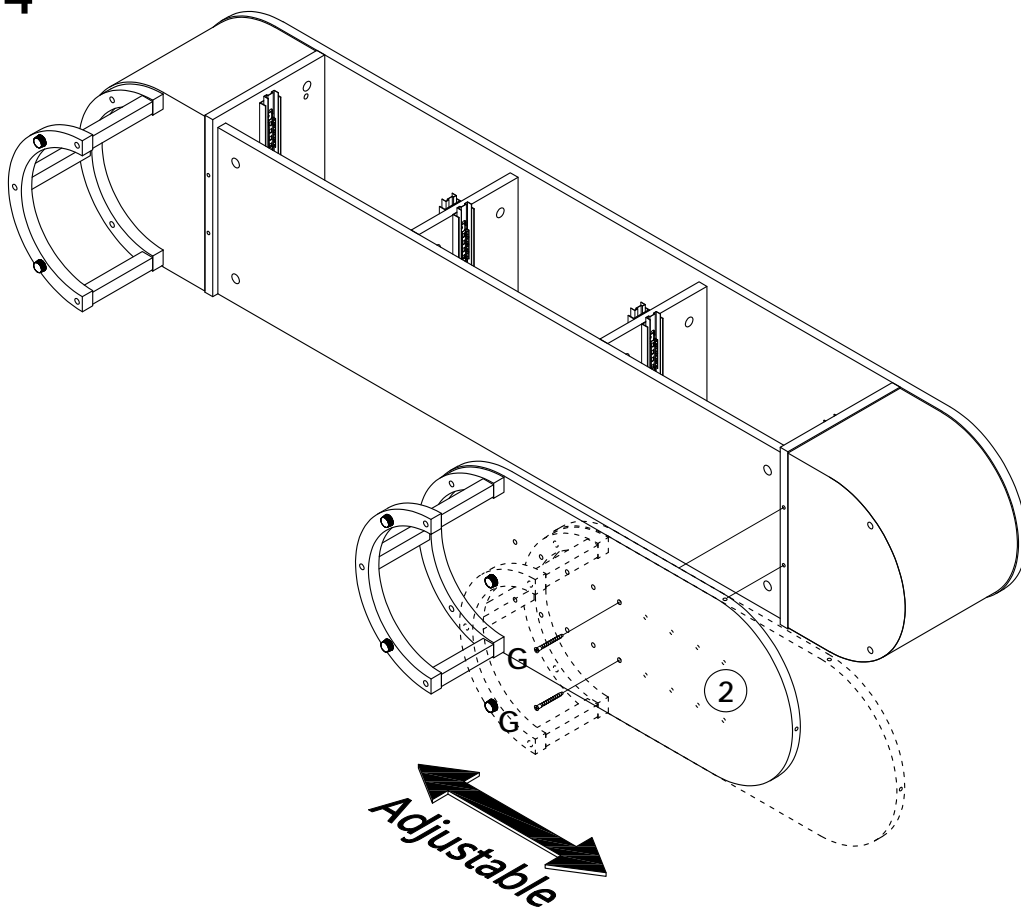
STEP 13



 M6*35	 M6*30	
J x 6pcs	K x 2pcs	L x 2pcs

Assembly Instructions

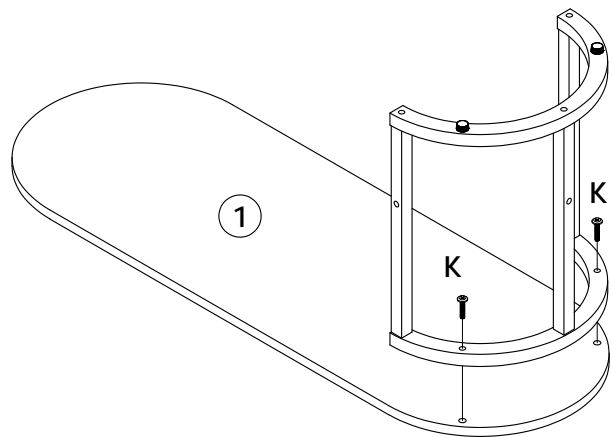
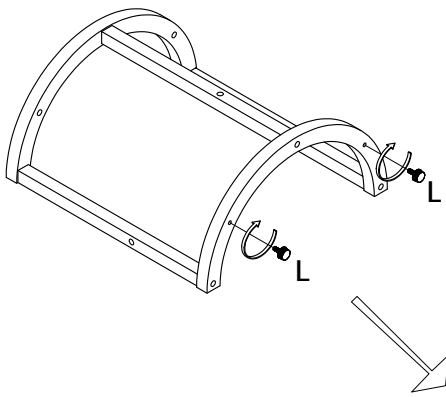
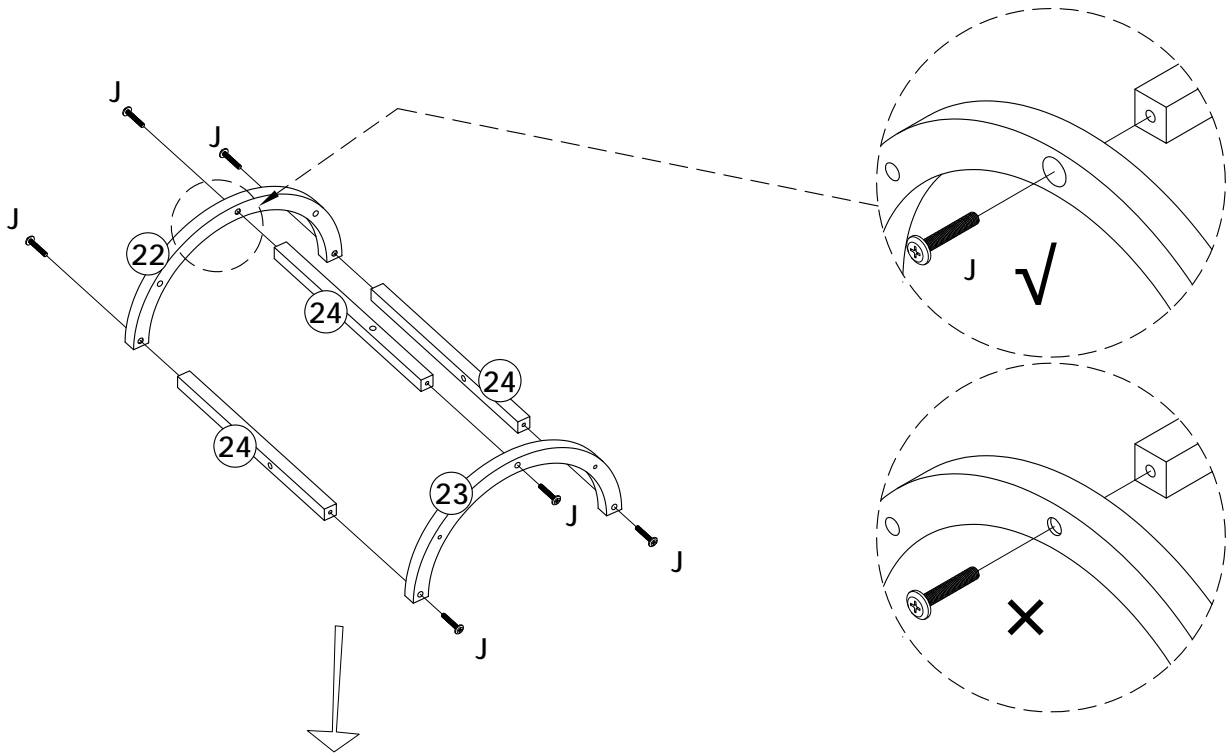
STEP 14

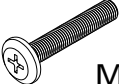
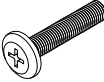
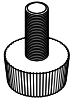


G x 2pcs

Assembly Instructions

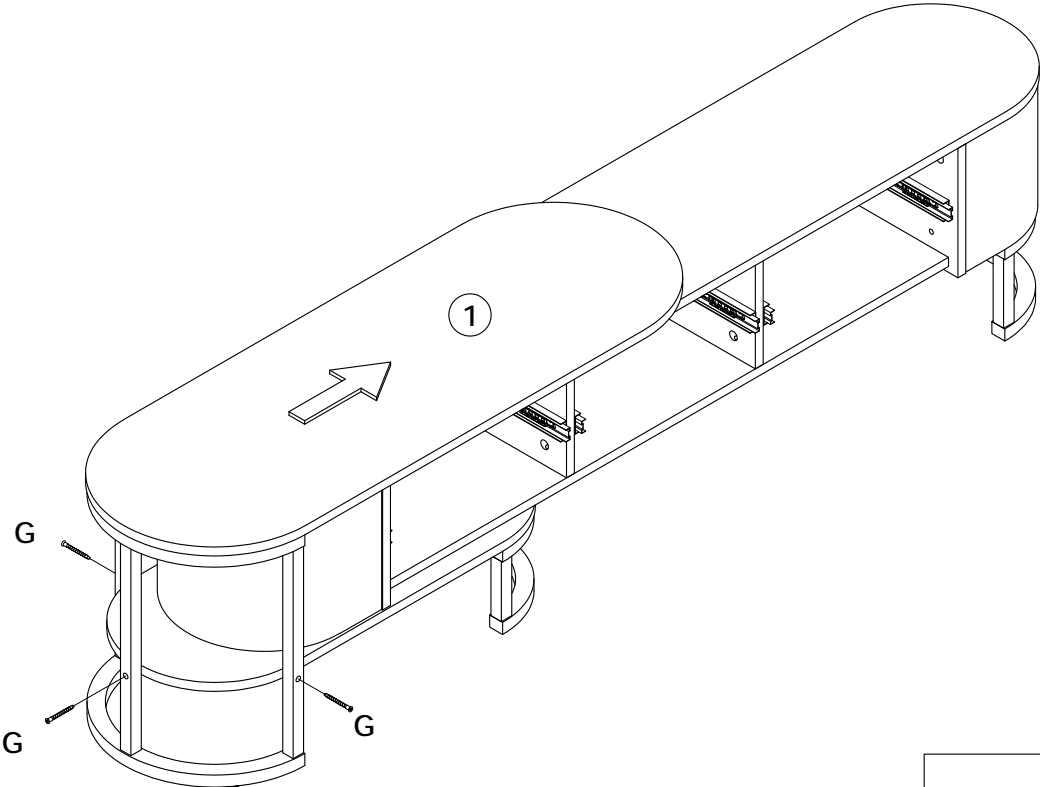
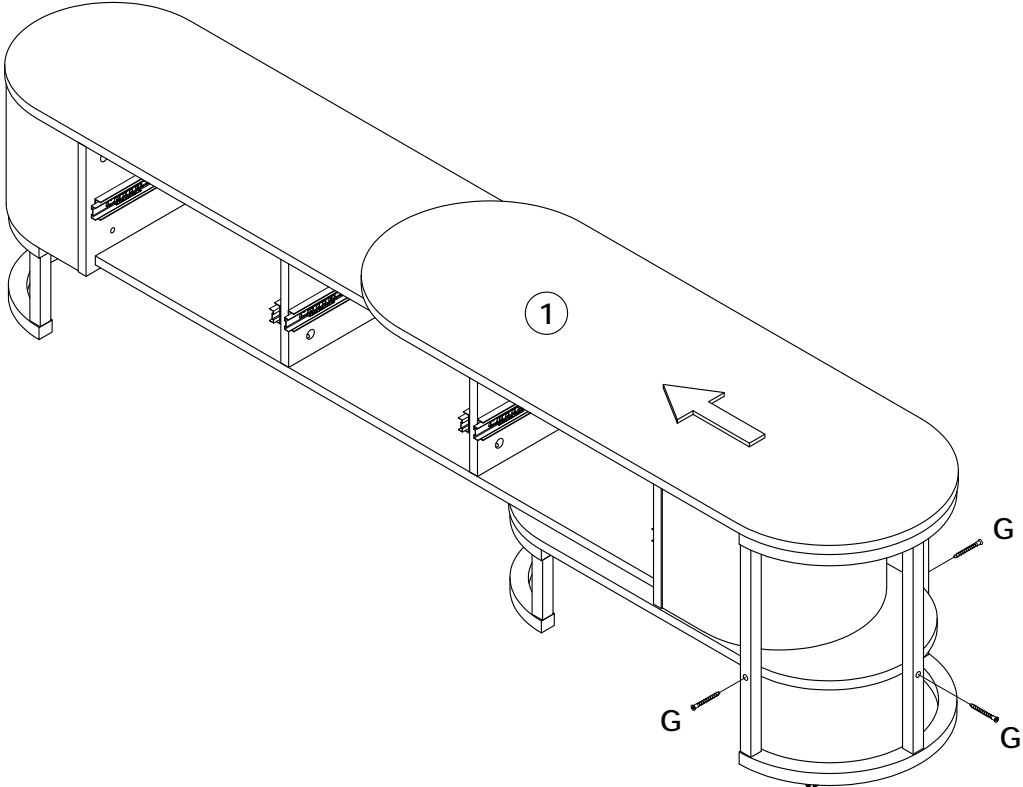
STEP 15

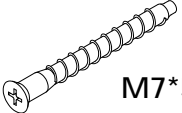


 M6*35	 M6*30	
J x 6pcs	K x 2pcs	L x 2pcs

Assembly Instructions

STEP 16

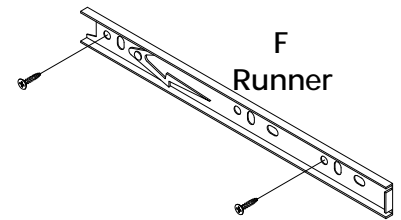
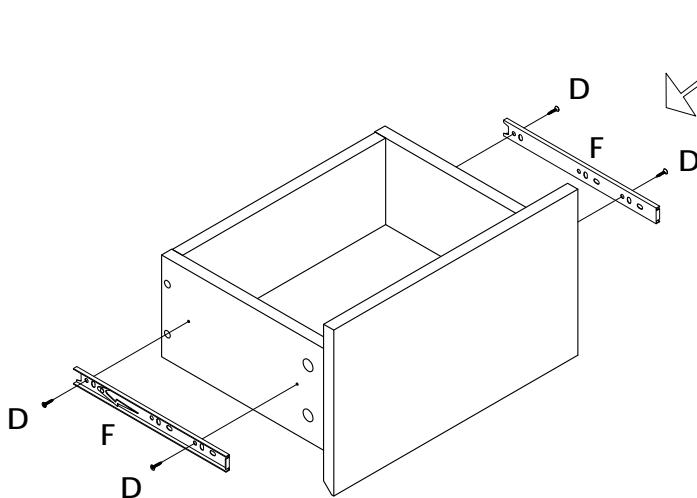
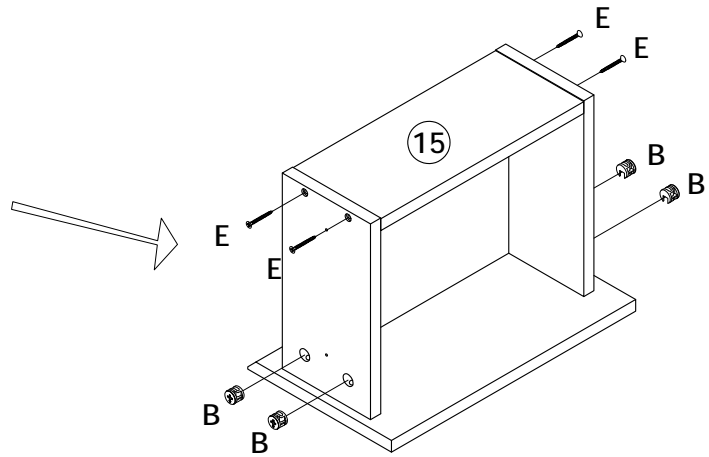
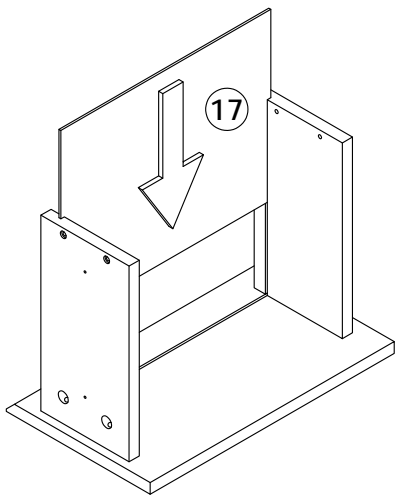
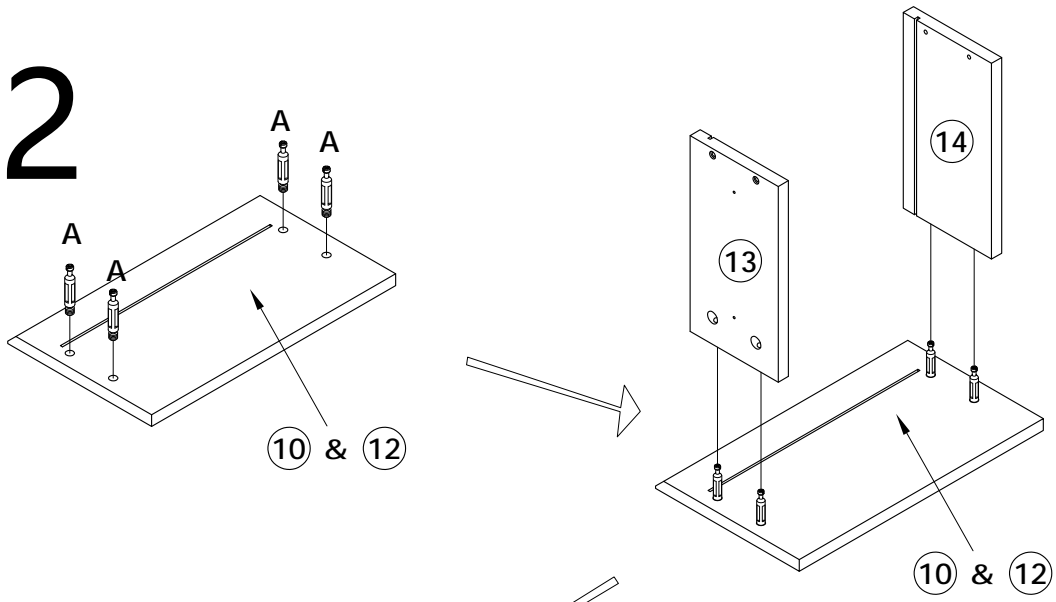


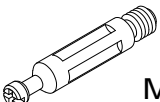

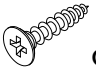
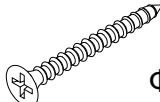
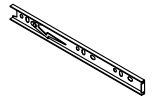
	M7*50
G x 3pcs	

Assembly Instructions

STEP 17

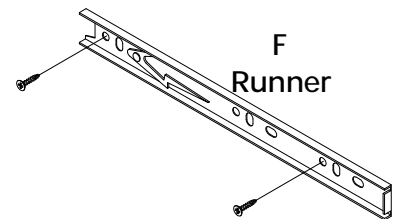
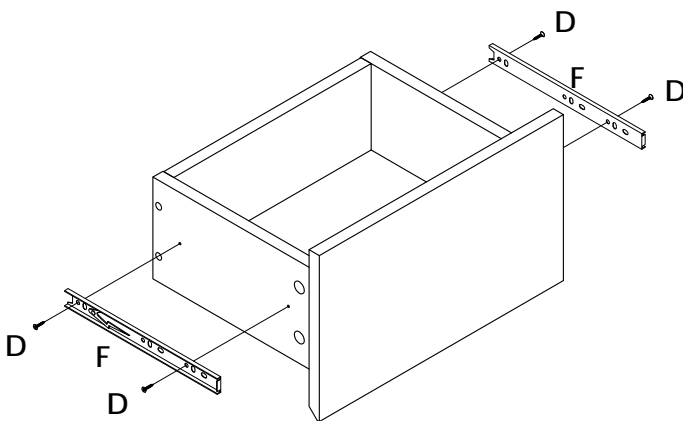
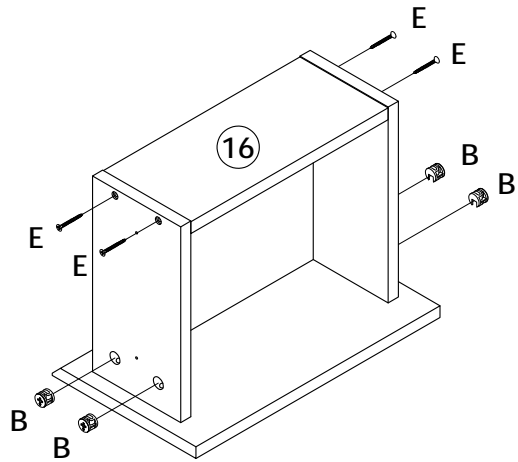
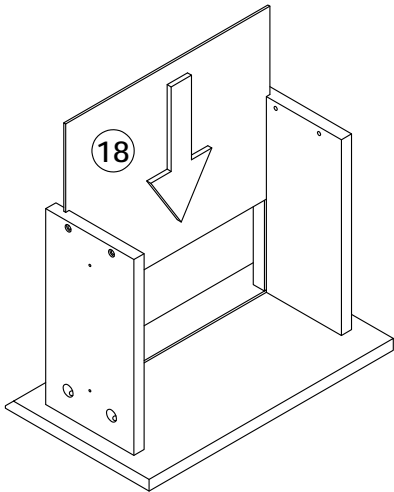
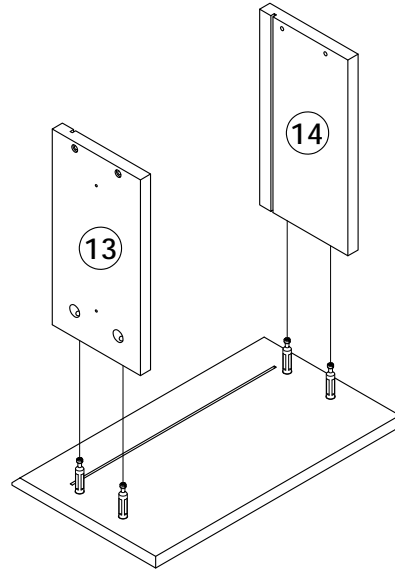
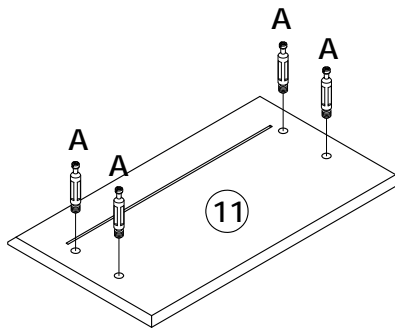
x 2

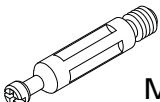

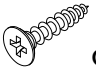
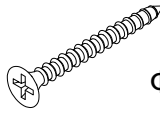
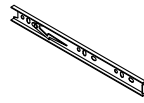


 M6*40	 $\Phi 15*11$
A x 8pcs	B x 8pcs
 $\Phi 3.5*14$	 $\Phi 3.5*35$
D x 8pcs	E x 8pcs
	 Runner
	F x 4pcs

Assembly Instructions

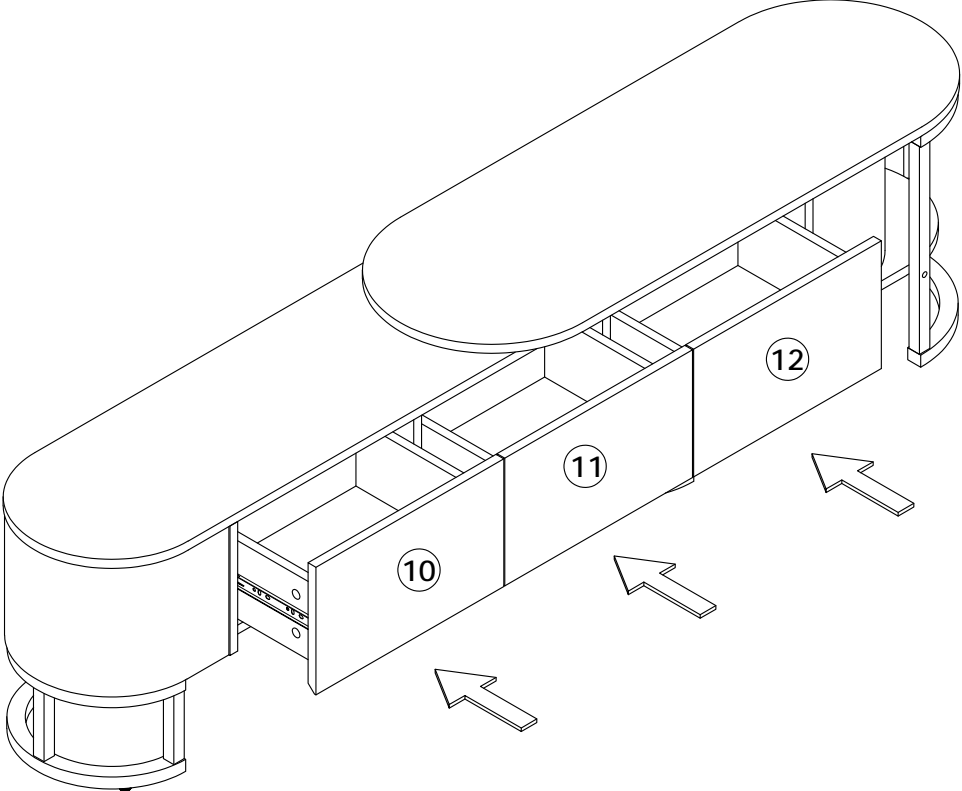
STEP 18



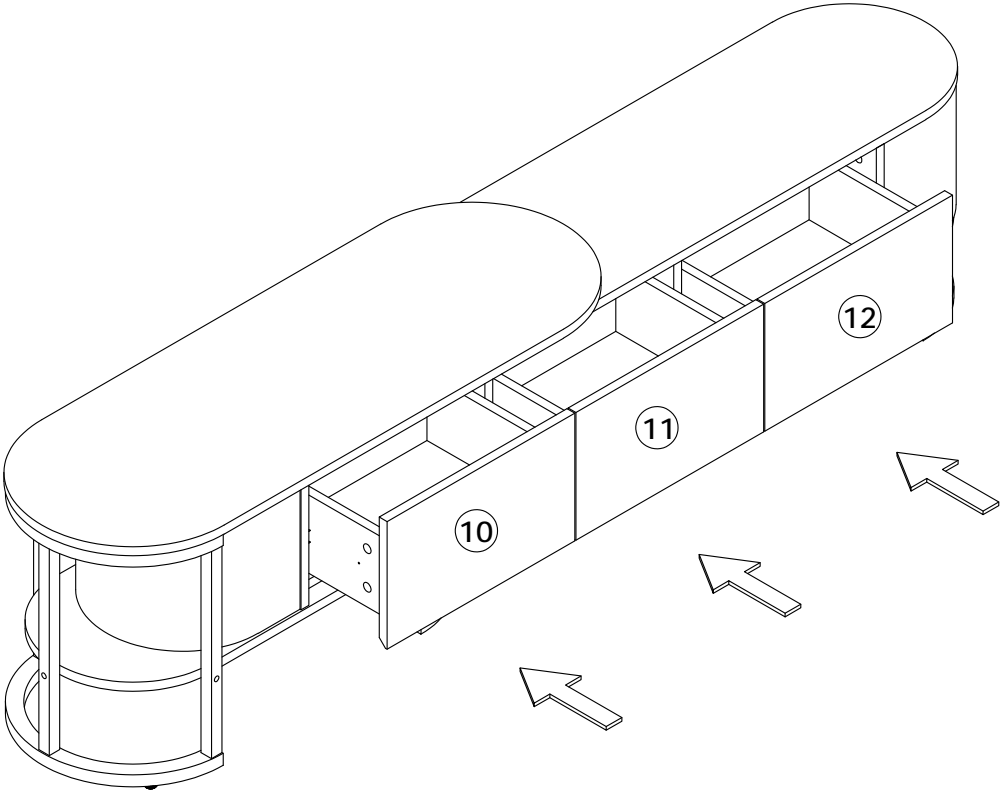
	M6*40		Φ15*11
A x 4pcs		B x 4pcs	
	Φ3.5*14		Φ3.5*35
D x 4pcs		E x 4pcs	
			Runner
		F x 2pcs	

Assembly Instructions

STEP 19



R



L