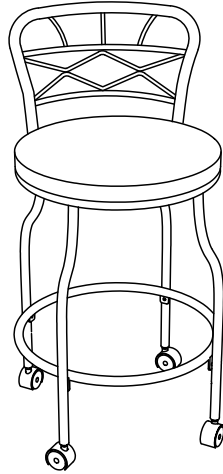
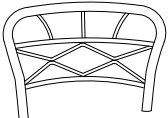

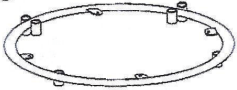











Assembly Instructions



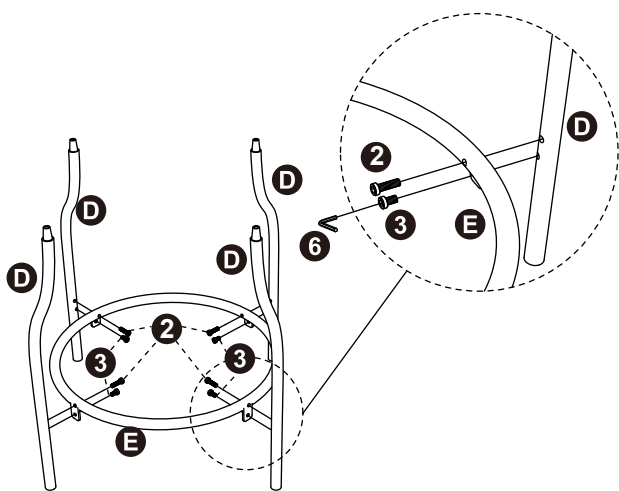
Thank you for purchasing a company product. This product has been designed for easy assembly and is constructed for durability. Please take the time to read and follow the assembly instructions carefully. If a part or hardware is missing or you have any difficulties in assembling this product.

A	Stool Back 	x 1
B	Seat Cushion 	x 1
C	Seat Frame 	x 1
D	Legs 	x 4
E	Support Ring 	x 1
F	Castors 	x 4

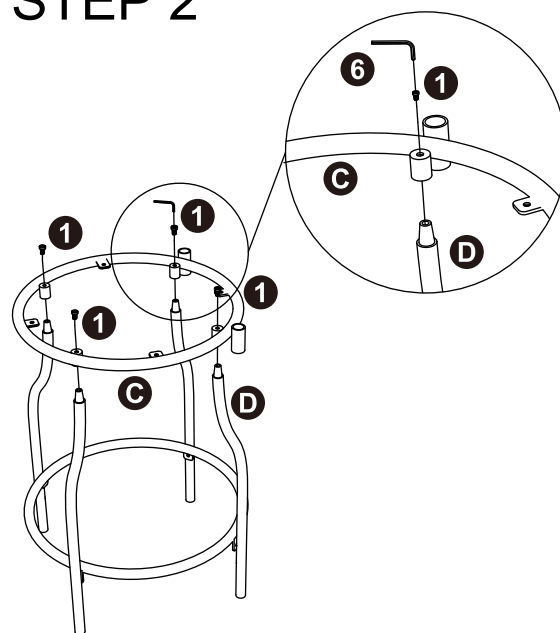
1	1/4"x25mm Sunk Bolts		6
2	1/4"x18mm Allen Bolts		8
3	1/4"x15mm Allen Bolts		4
4	Φ 6.5mm Spring Washers		4
5	Φ6.5x1.5xΦ16 Flat Washers		4
6	Allen Wrench		1

Assembly Instructions

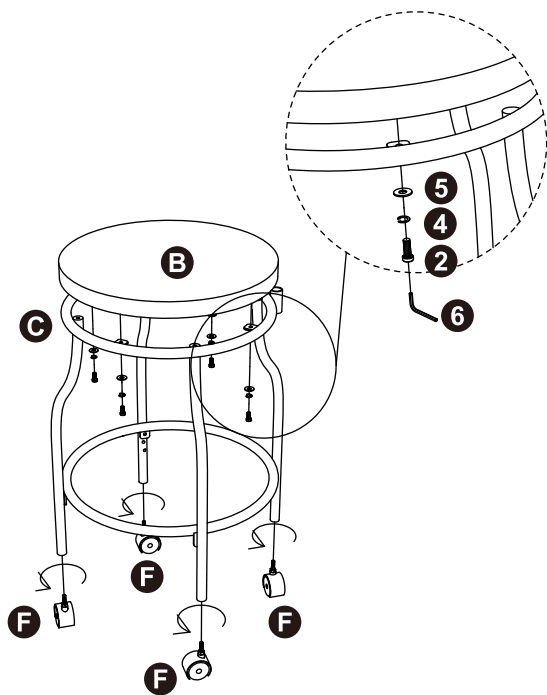
STEP 1



STEP 2



STEP 3



STEP 4

