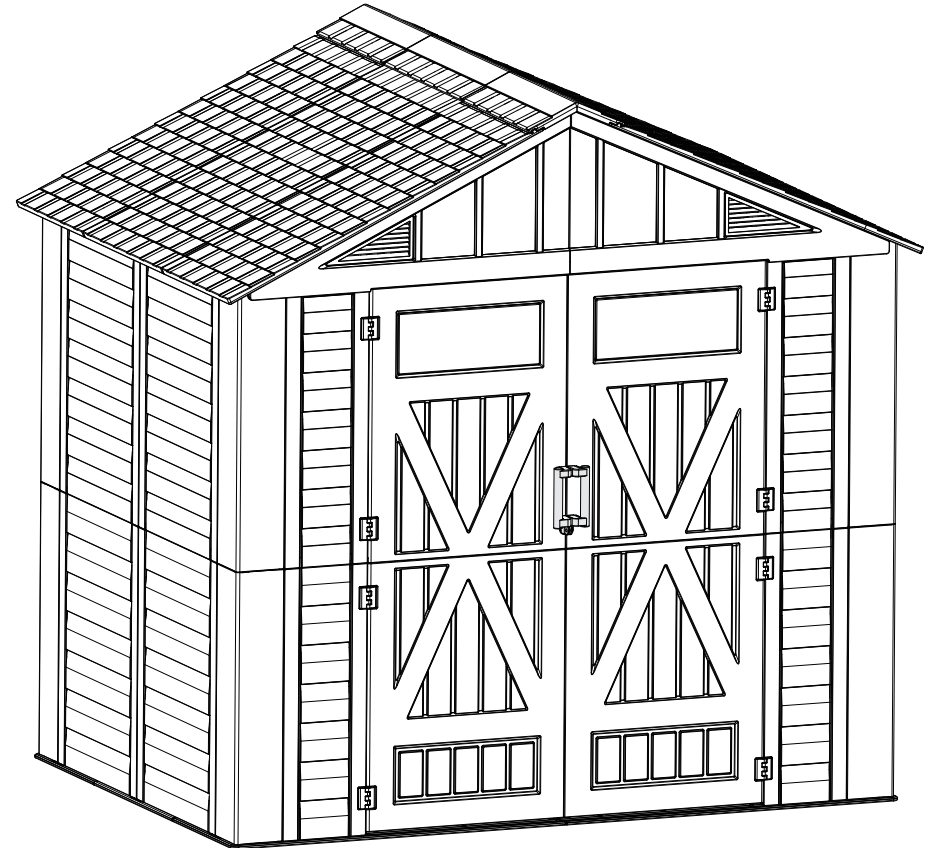


# Installation Manual

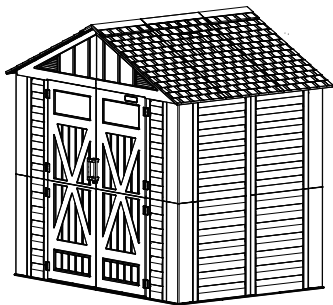


## Outdoor Tool Shed

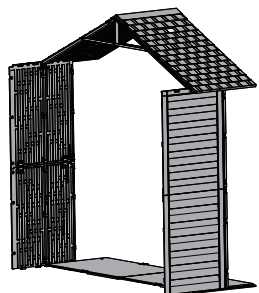
Our team is available 24/7 to help with any product questions. Contact us anytime!

If you have purchased an 8'x12' unit, please read the following instructions

## Modular design

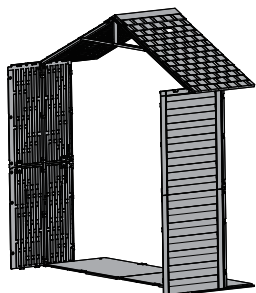


8'x 6' Box(16+26+36)



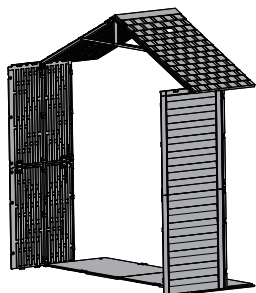
Box 46

+

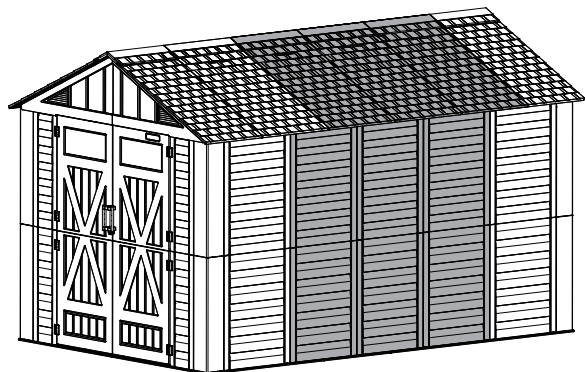


Box 56

+



Box 66



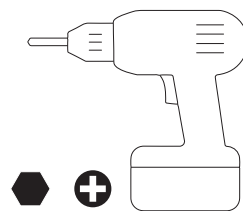
8'x 12'

(Box 16 +Box 26+Box 36+ Box 46+Box 56+Box 66)

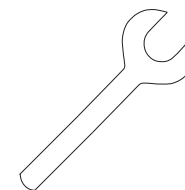
## Ground Preparation:

Before installation, ensure the floor is both level and clean.

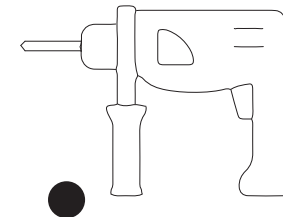
## Tools you need:



Electric drill  
(not included in the box)



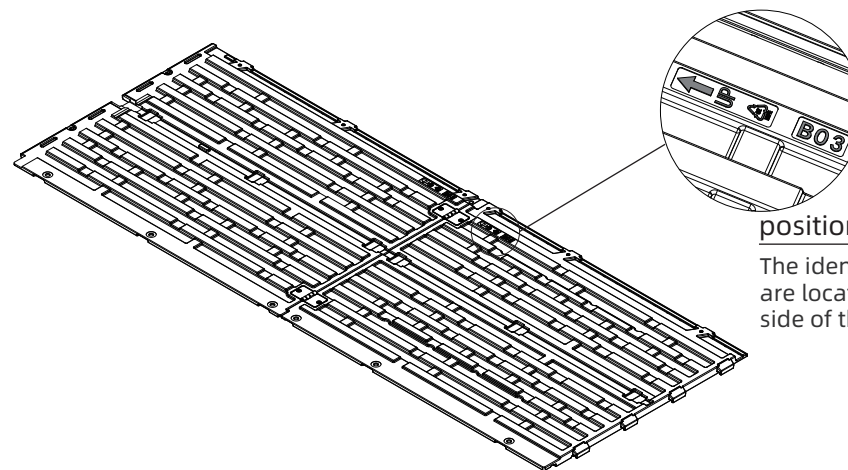
Wrench  
(included in the box)



Diameter:12mm

Hammer drill  
(not included in the box)

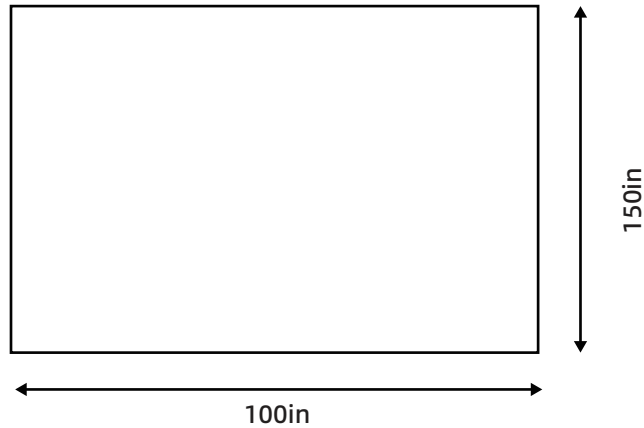
## Position of codes on plates:



position of codes

The identification codes are located on the inner side of the panels.

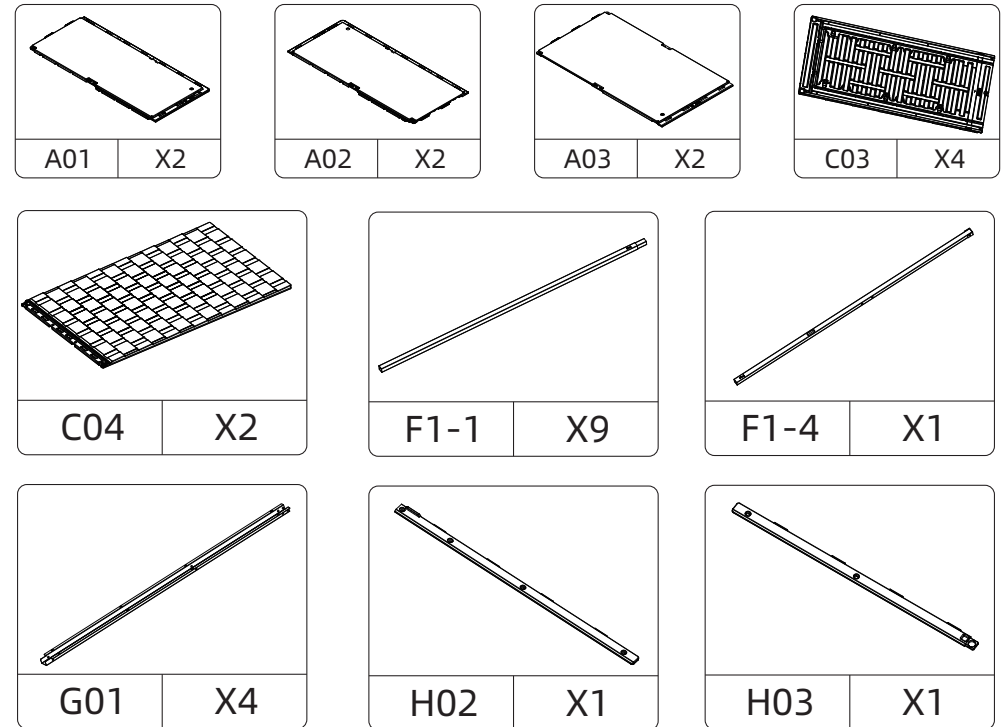
## Area of installation requirement:



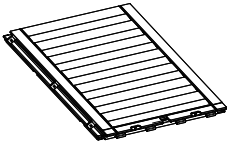
## Notes: ⚠

1. Before you start, separate and identify all the parts and plates to be sure that you have all the necessary parts for your shed (refer to the Components List Page).
2. Reviewing all instructions and the relevant information before you begin, make sure following the step sequence carefully for best results.
3. Open the parts' bags step by step. Do not open all bags at once to avoid mixing parts.
4. The company will not be responsible for any losses caused by parts' damage due to incorrect installation methods, and the customer shall bear the responsibility on their own.
5. All pictures in this manual are illustrative diagrams, for specific details, please refer to the actual product.

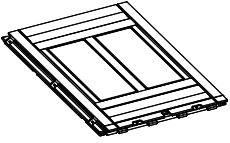
## Components List-16



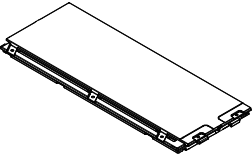
# Components List-26



B03	X6
-----	----




B04	X1
-----	----




B02	X4
-----	----

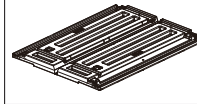
# Components List-36




B01	X1
-----	----



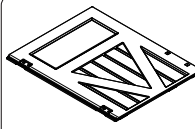
B05	X1
-----	----



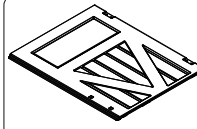
C01	X2
-----	----



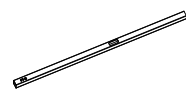
C02	X1
-----	----



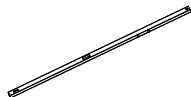
DL	X1
----	----



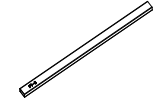
DR	X1
----	----



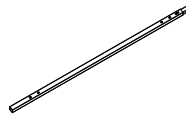
F1-2	X4
------	----



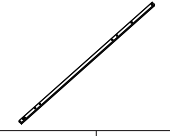
F1-3	X2
------	----



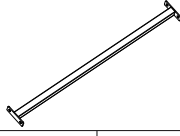
F1-5	X2
------	----



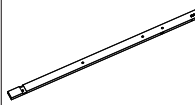
F2-1	X2
------	----



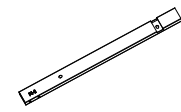
F2-2	X2
------	----



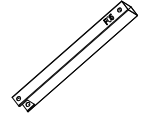
F03	X2
-----	----




F4-1	X1
------	----




F4-2	X1
------	----



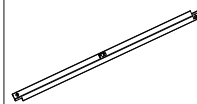
F05	X2
-----	----



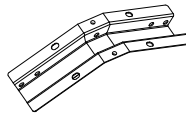
F06	X4
-----	----



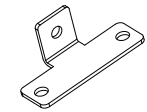
F07	X1
-----	----



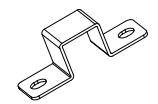
F08	X2
-----	----



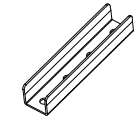
G02	X2
-----	----



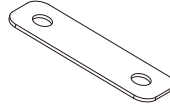
G03	X2
-----	----



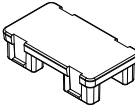
G04	X1
-----	----



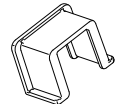
G05	X2
-----	----



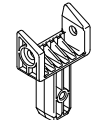
G06	X8
-----	----



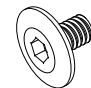
H01	X6
-----	----




H04	X54
-----	-----



H05	X4
-----	----

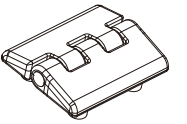
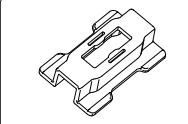
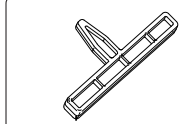
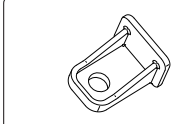
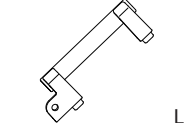
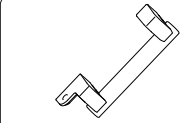
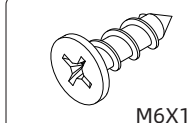
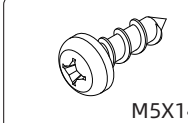
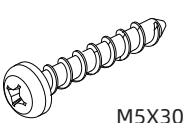
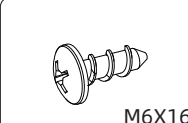
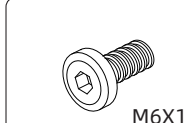
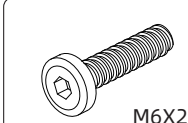
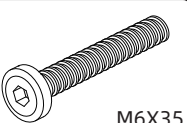
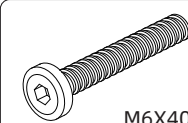
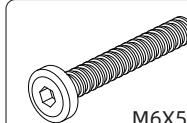
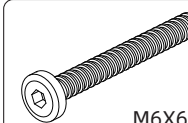
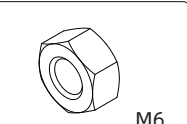
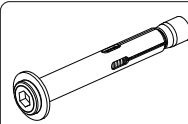
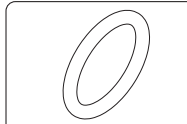
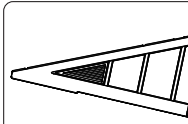
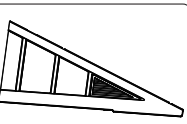


H06	X72
-----	-----



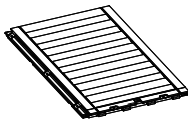
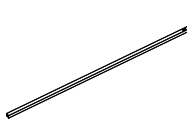
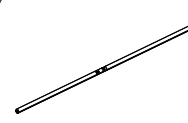
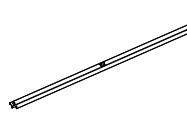

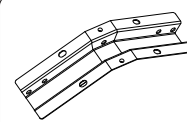
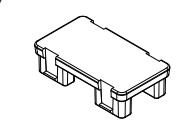
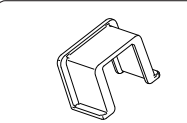
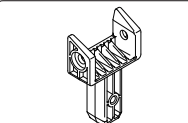

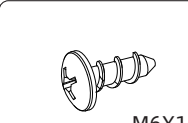
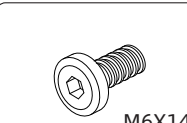
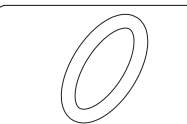
H07	X16
-----	-----

# Components List-36

 H08 X8	 H09 X2	 H10 X2	 H11 X16
 H12 X1	 H13 X1	 J01 X6	 J02 X16
 J03 X16	 J04 X112	 J05 X6	 J06 X8
 J07 X6	 J08 X2	 J09 X18	 J10 X6
 J11 X25	 J12 X6	 J13 X8	 SL X2
 SR X2			

# Components List-(46/56/66)

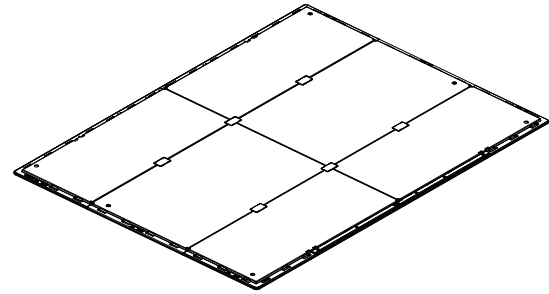
The Accessories in carton no. (46/56 /66)are same.

 A03 X2	 B03 X2	 C02 X1	 C04 X2
 F1-1 X2	 F1-2 X2	 F05 X1	 F06 X2
 F07 X1	 G01 X2	 G02 X1	 H01 X3
 H04 X12	 H05 X2	 H06 X12	 J04 X22
 J05 X2	 J09 X7	 J10 X3	 J11 X10
 J13 X4			

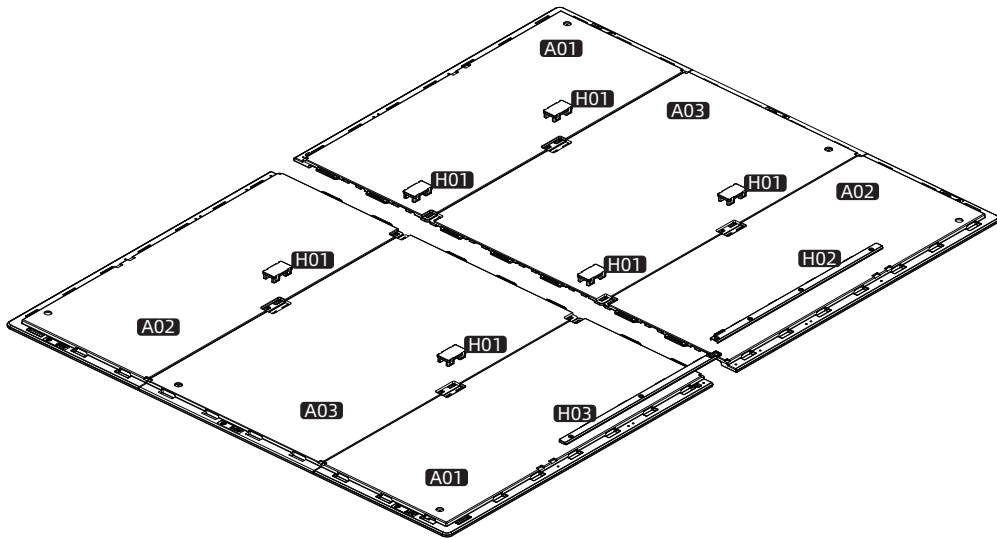
## Notes: ⚠

Some accessory packs contain a few extra pieces as spares in case of loss or damage during setup. The quantity you receive may therefore be slightly more than stated in the instruction manual, please feel free to use them.

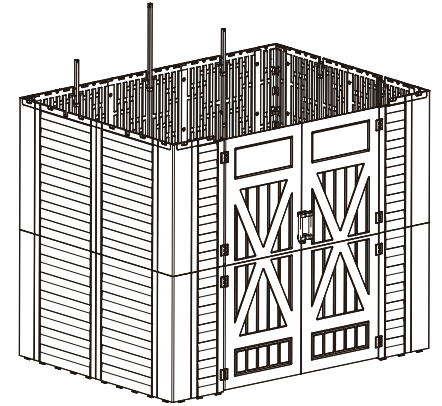
Top1



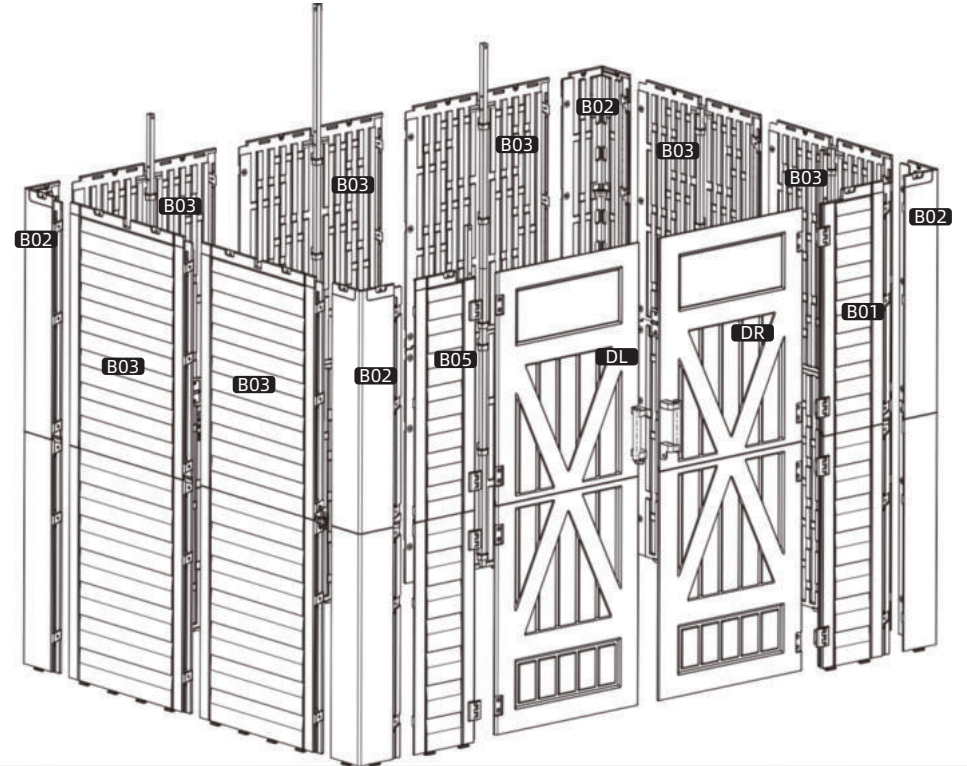
Floor



Top2

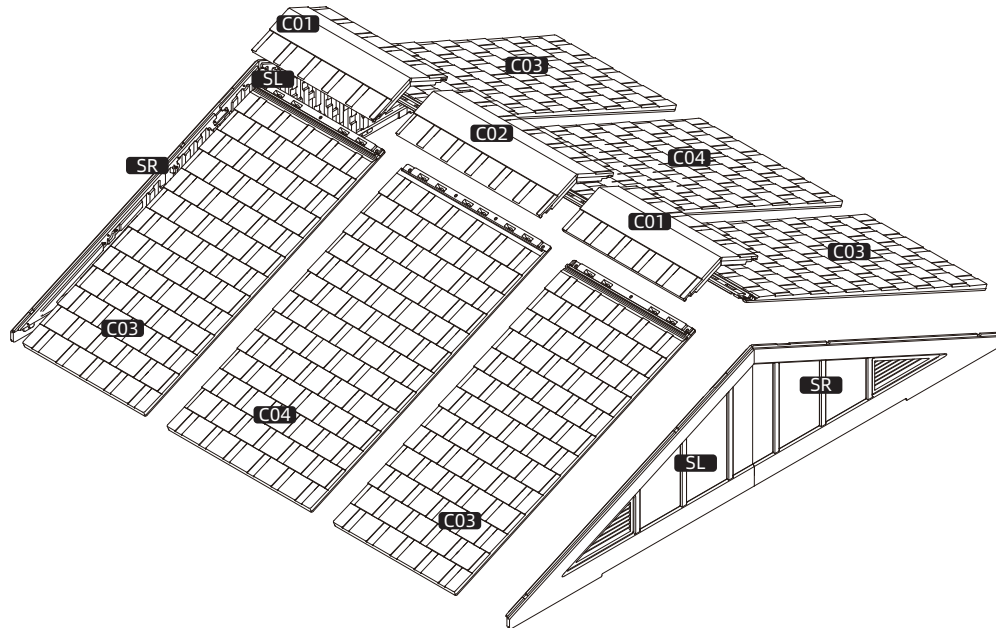
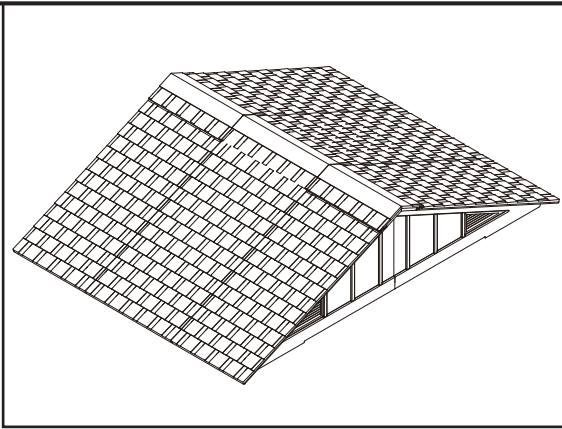


Wall Panels



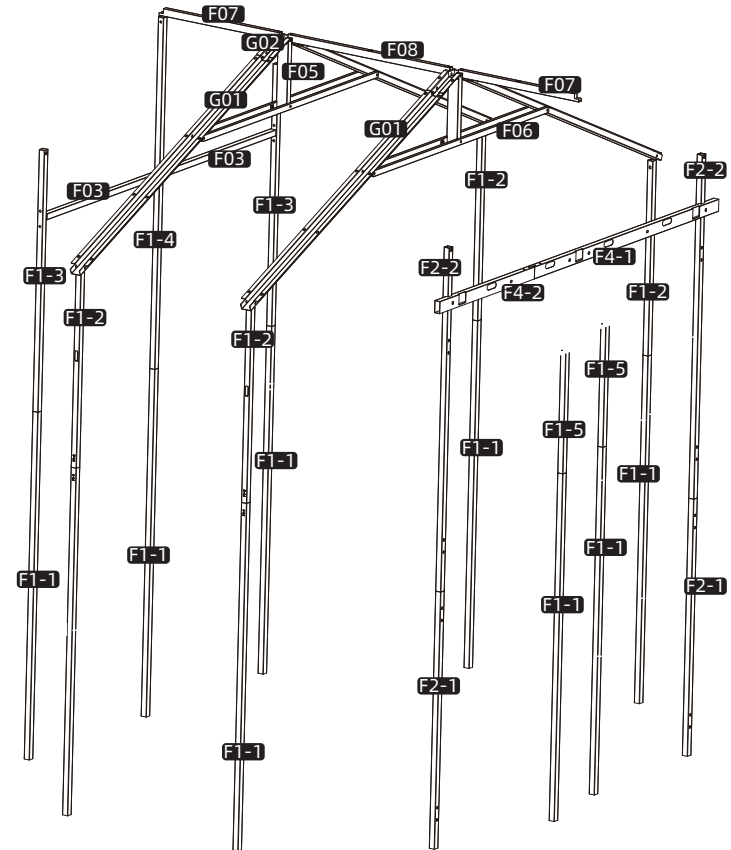
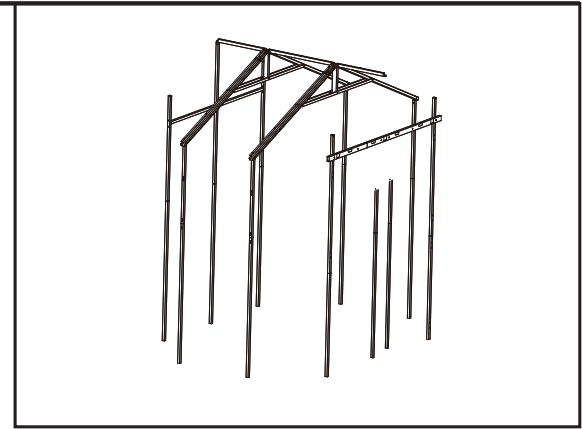
# Top3

## Roof Panels



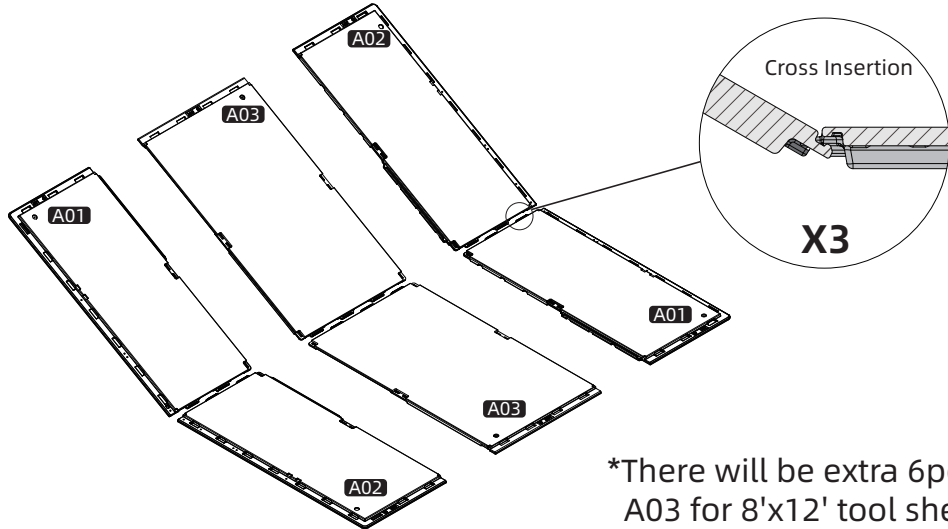
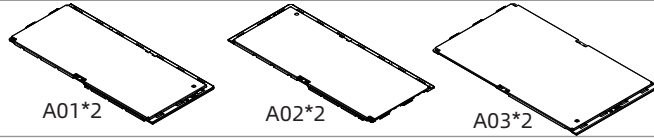
# Top4

## Frame

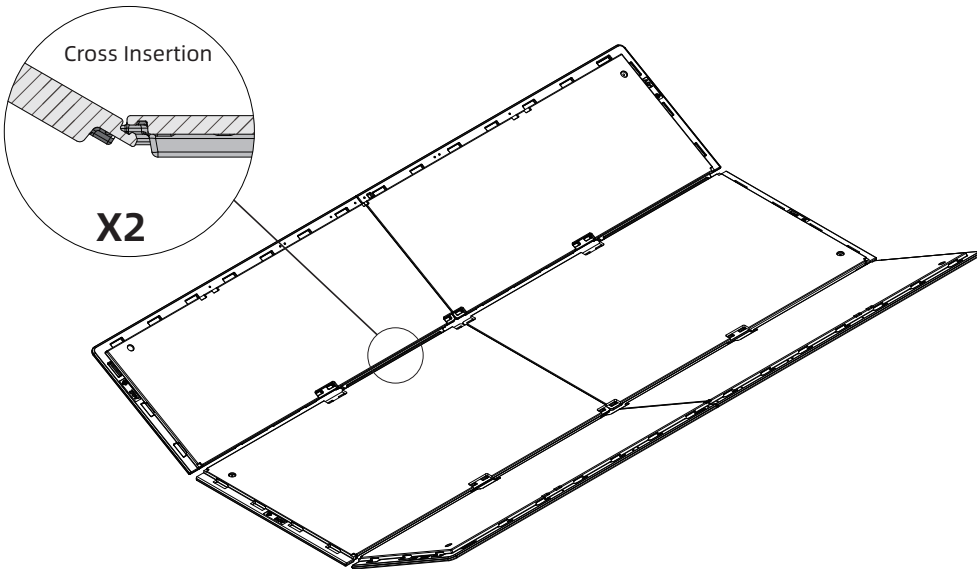


PRODUCT ASSEMBLY

**01** Floor Assembly

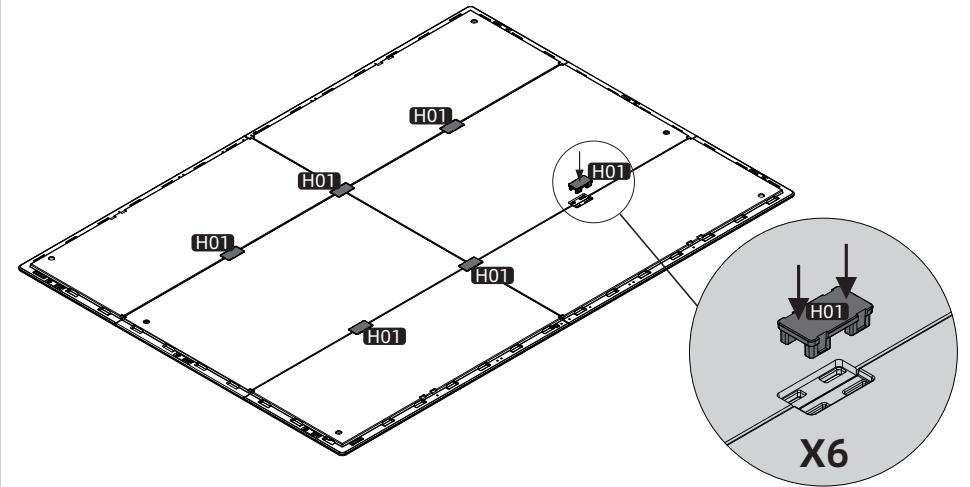


**02** Floor Assembly

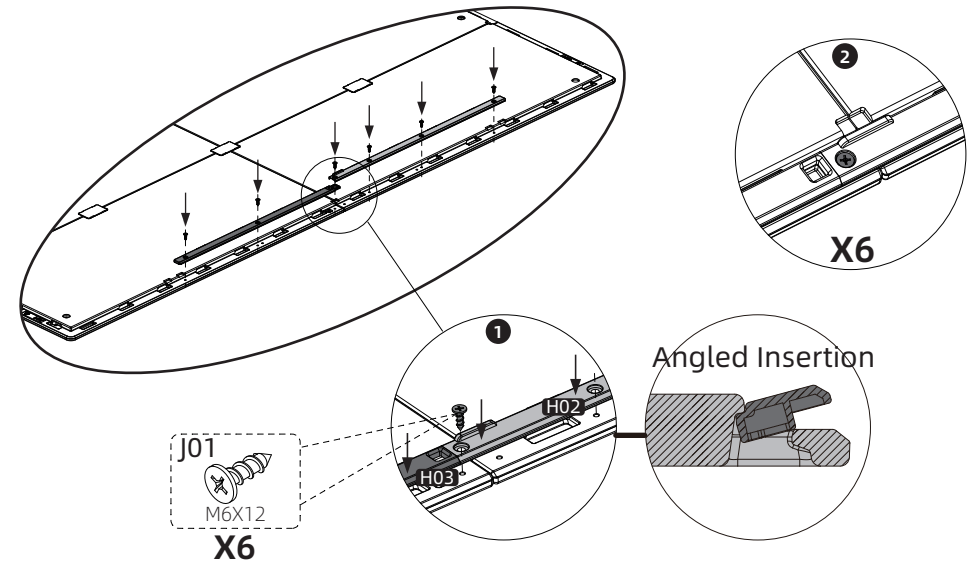
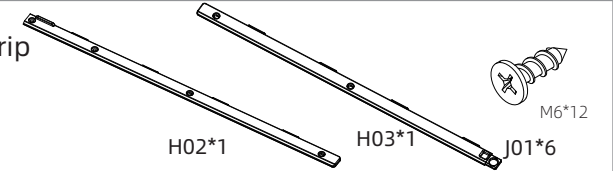


PRODUCT ASSEMBLY

**03** Secure the Floor Assembly

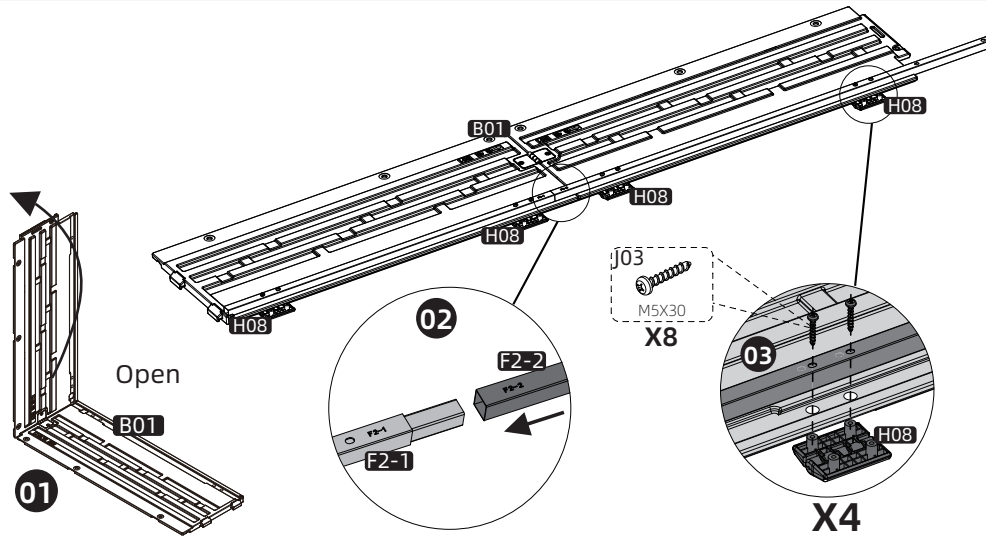
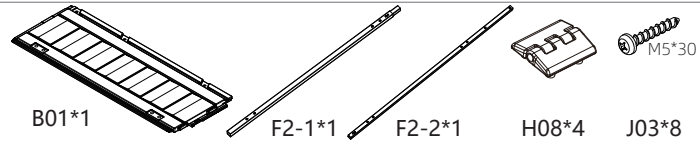


**04** Install the Door Stop Strip

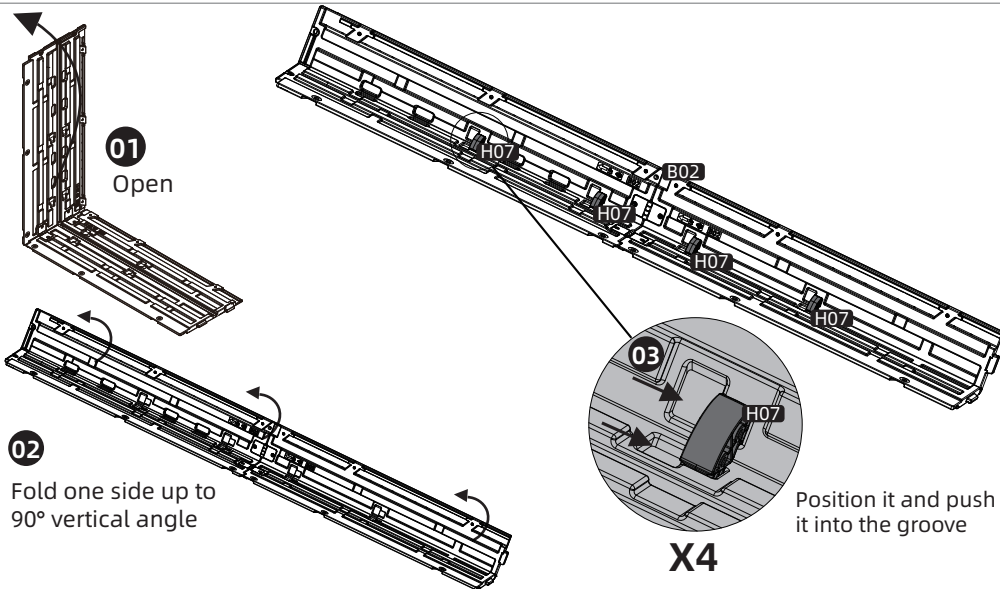
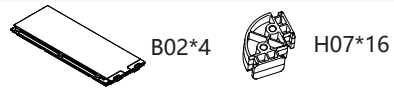


PRODUCT ASSEMBLY

**05** Pre-assemble Panel B01

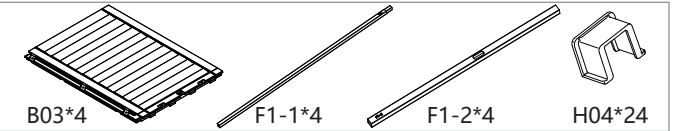


**06** Pre-assemble Panel B02 x4

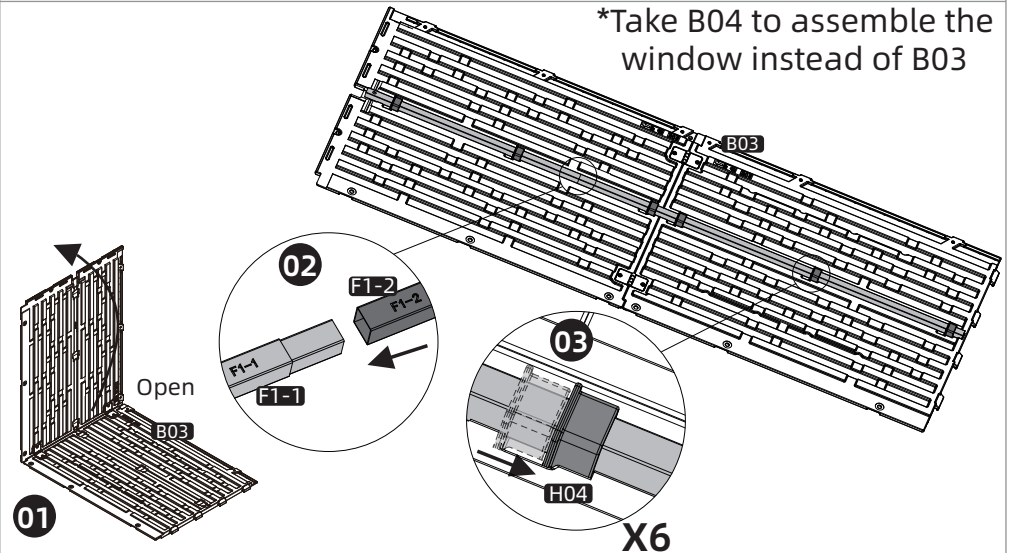


PRODUCT ASSEMBLY

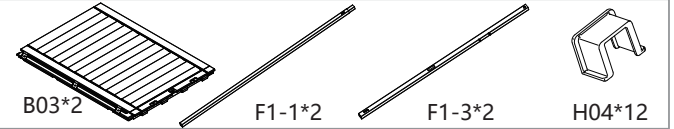
**07** Pre-assemble Side Panel B03 x4



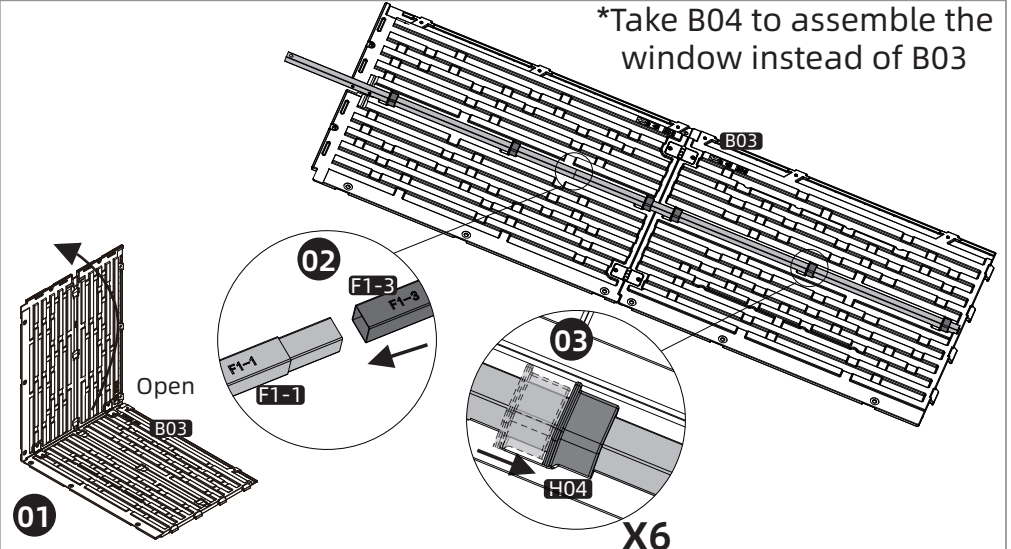
\*Take B04 to assemble the window instead of B03



**08** Pre-assemble Side Rear Panel B03 x2

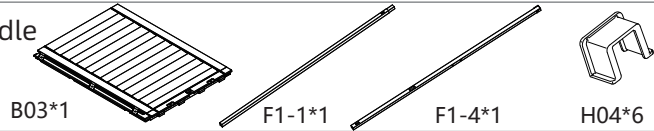


\*Take B04 to assemble the window instead of B03

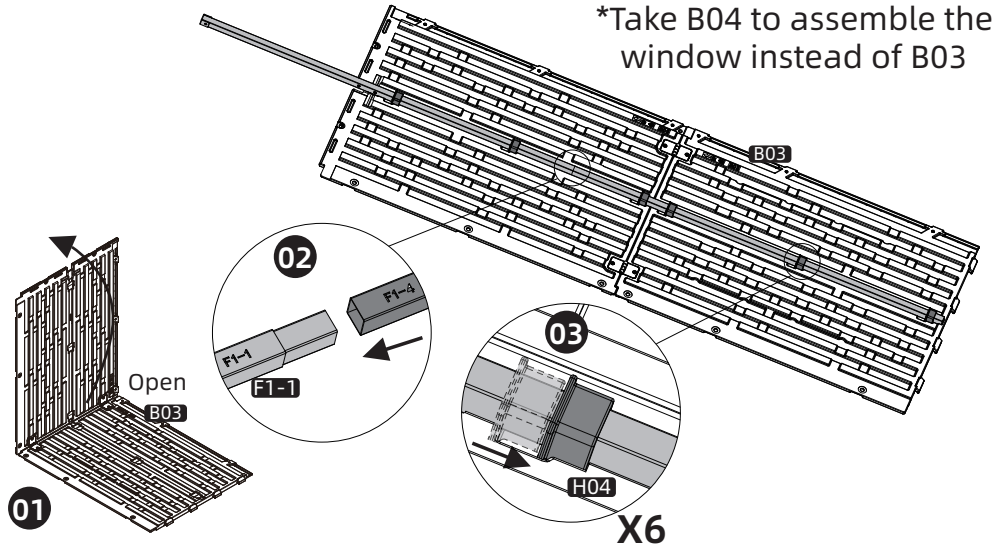


PRODUCT ASSEMBLY

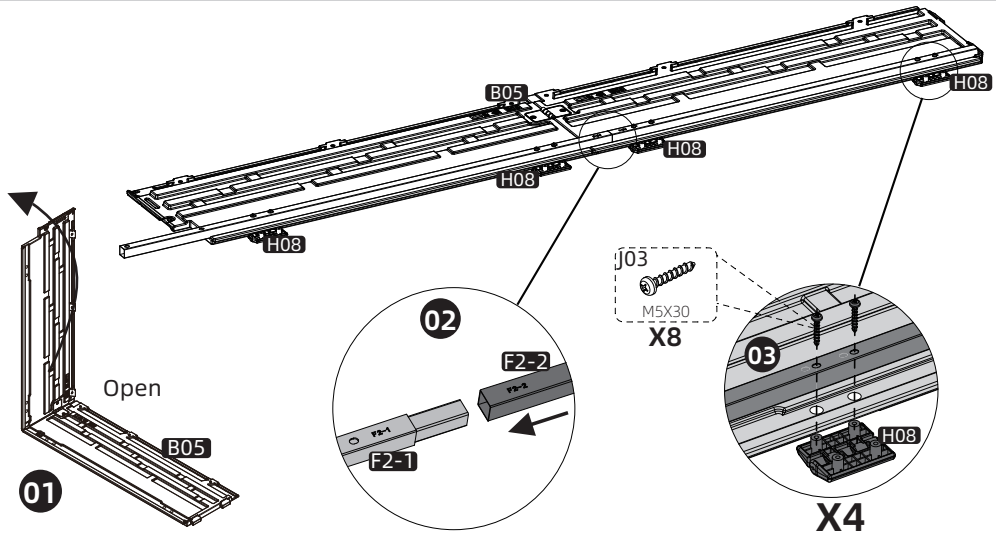
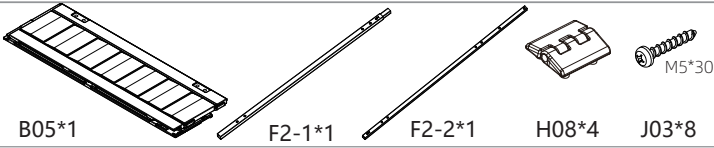
**09** Pre-assemble Middle Rear Panel B03



\*Take B04 to assemble the window instead of B03

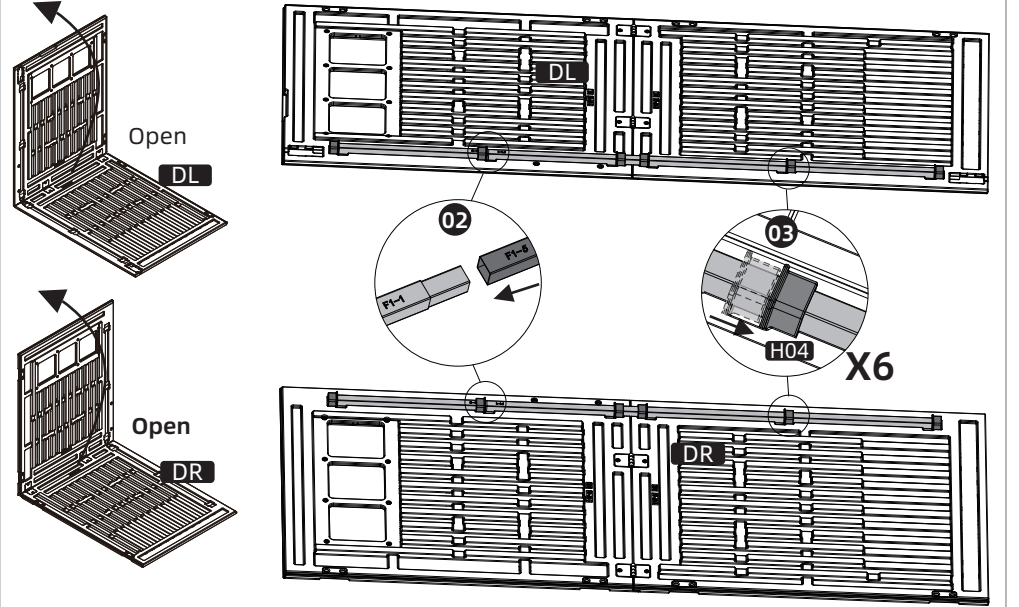
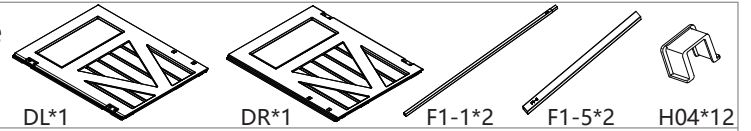


**10** Pre-assemble Panel B05

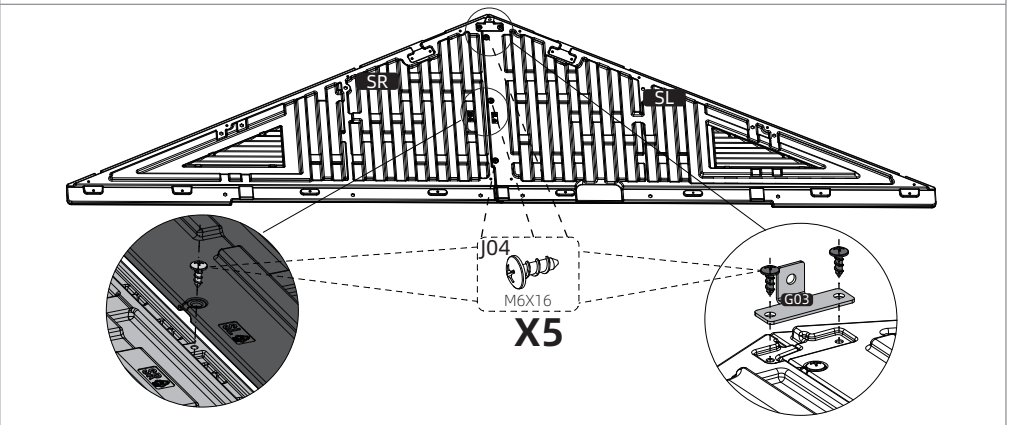
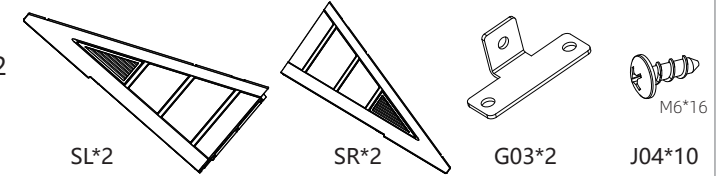


PRODUCT ASSEMBLY

**11** Pre-assemble Panels DL-DR



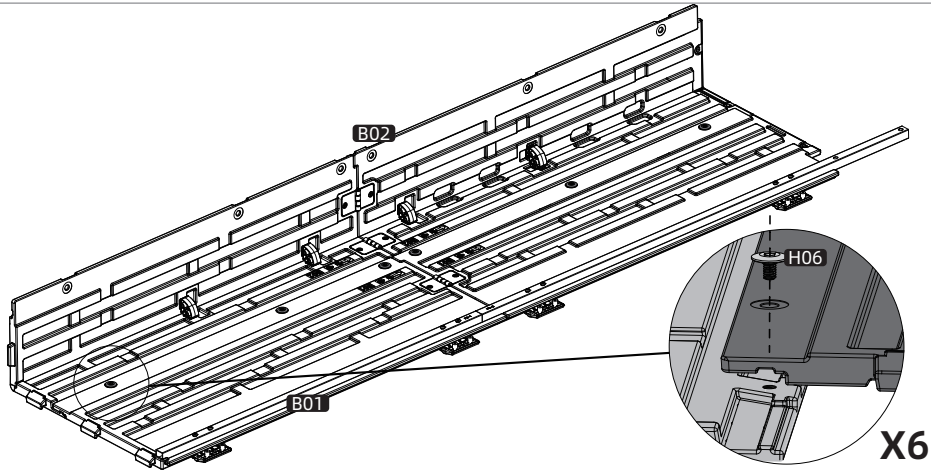
**12** Pre-assemble Panels SL-SR x2



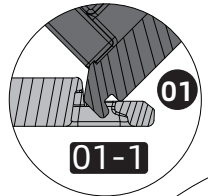
**13** Pre-assemble Panels B01-B02



H06\*6

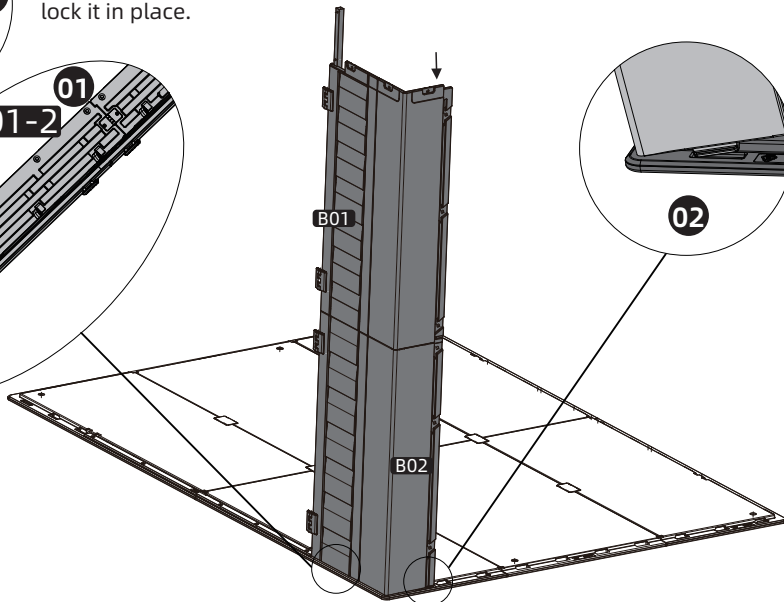
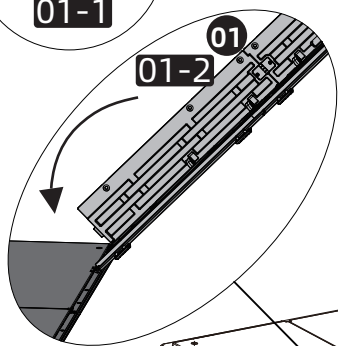


**14** Wall Panel Installation - 1



Tilt it 45°, insert it into the slot, then rotate 90° to lock it in place.

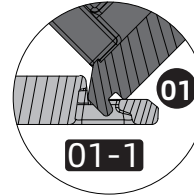
Press down firmly on this area until the clip beneath snaps into place.



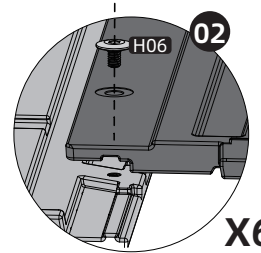
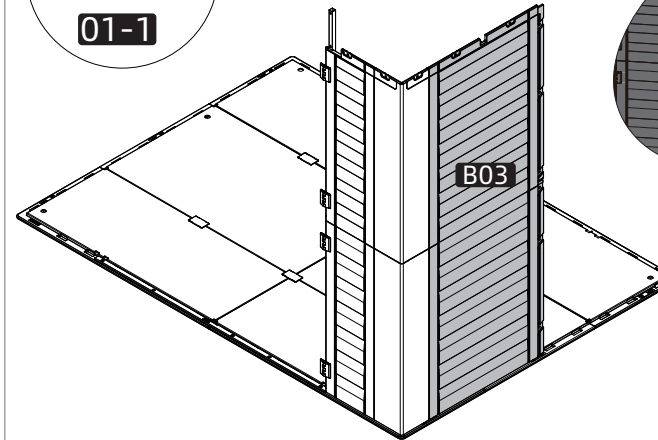
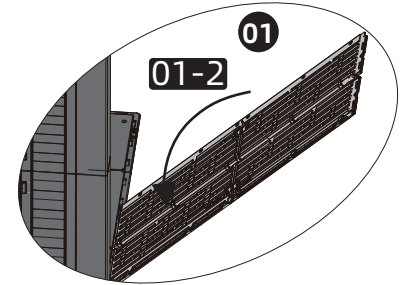
**15** Wall Panel Installation - 2  
(Install B03x2)



H06\*12



Tilt it 45°, insert it into the slot, then rotate 90° to lock it in place.

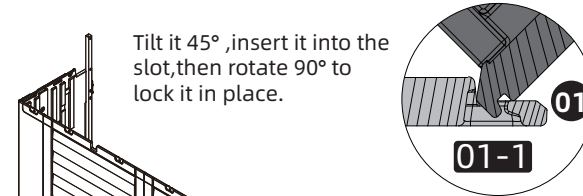


X6

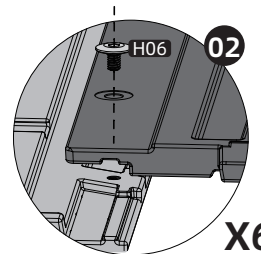
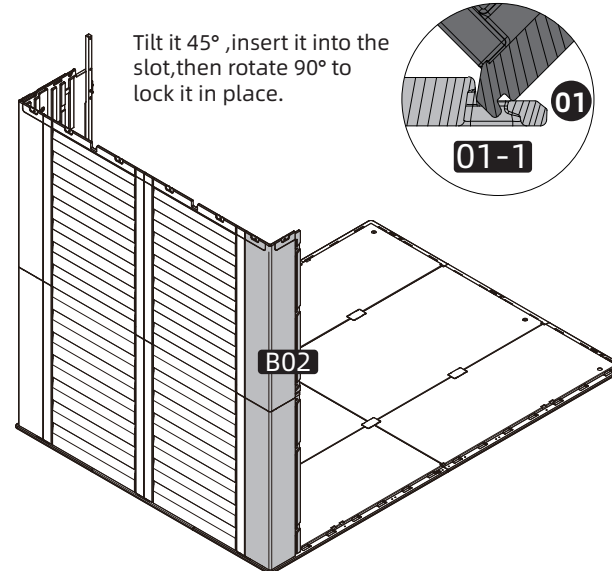
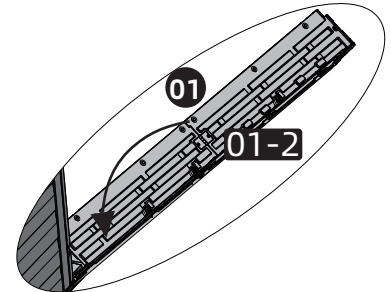
**16** Wall Panel Installation - 3  
(Install B02)



H06\*6

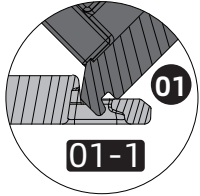
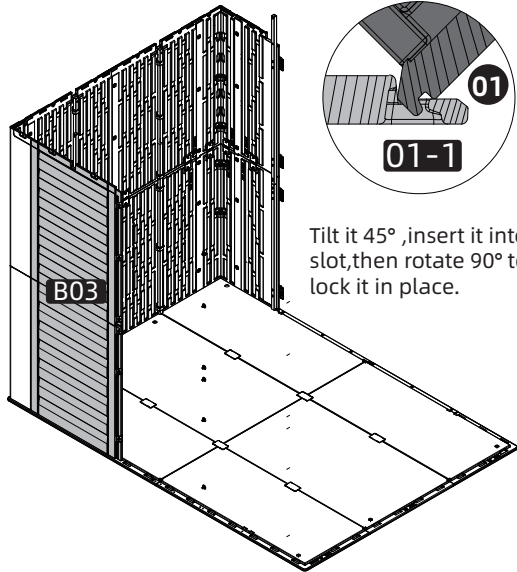


Tilt it 45°, insert it into the slot, then rotate 90° to lock it in place.

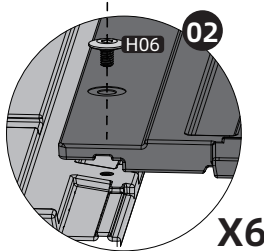
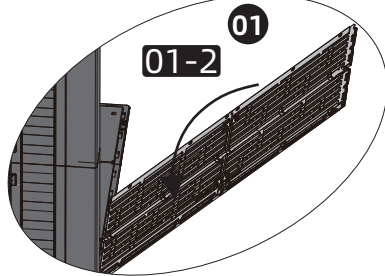


X6

**17** Wall Panel Installation - 4  
(B03 Side Back Panel Installation)

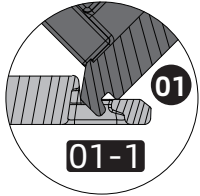
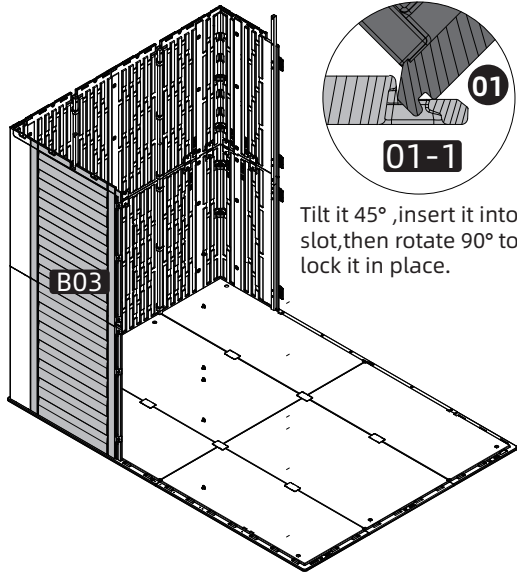


Tilt it 45°, insert it into the slot, then rotate 90° to lock it in place.

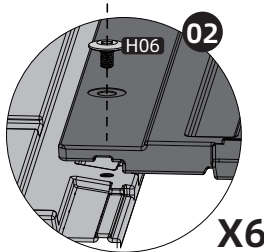
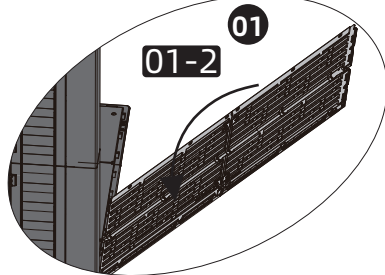


X6

**18** Wall Panel Installation - 5  
(B03 Middle Back Panel Installation)

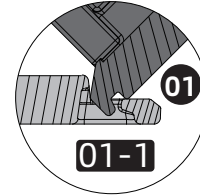
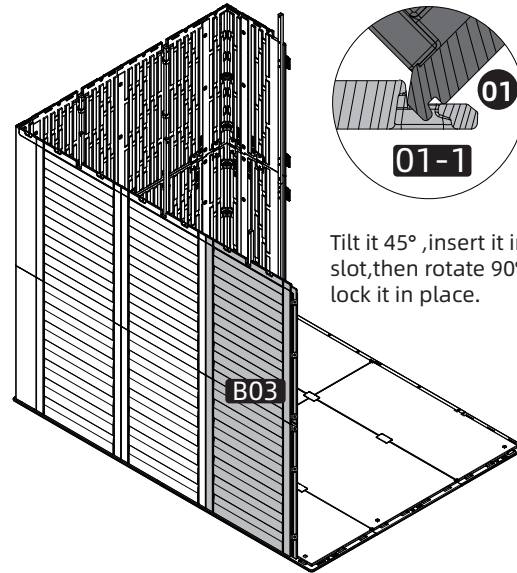


Tilt it 45°, insert it into the slot, then rotate 90° to lock it in place.

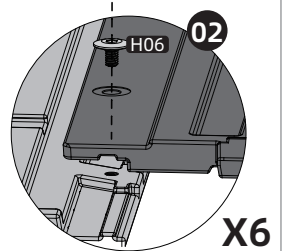
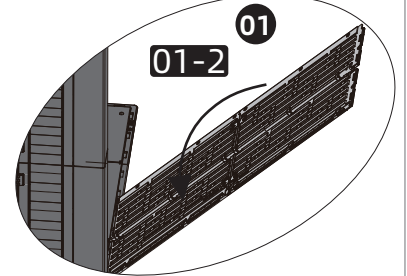


X6

**19** Wall Panel Installation - 6  
(B03 Side Back Panel Installation)

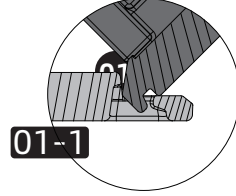
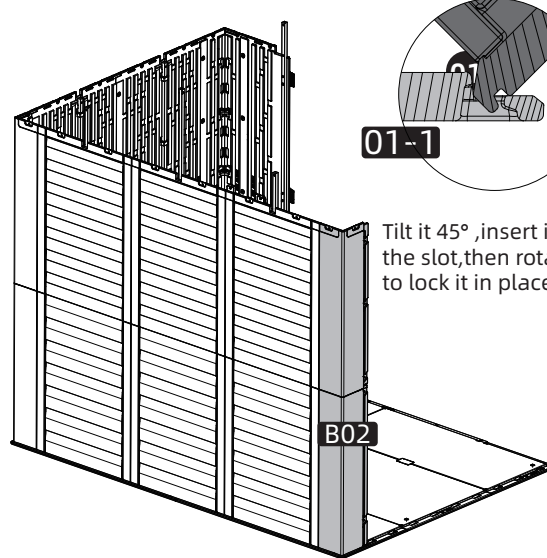


Tilt it 45°, insert it into the slot, then rotate 90° to lock it in place.

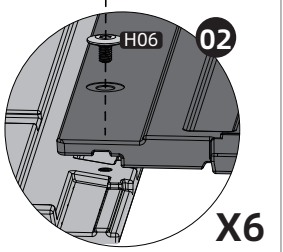
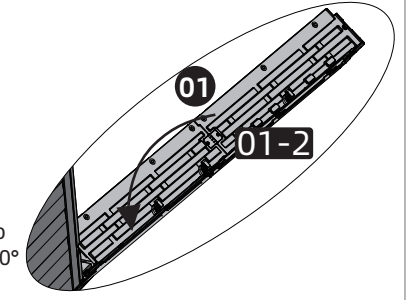


X6

**20** Wall Panel Installation - 7  
(B02 Panel Installation)

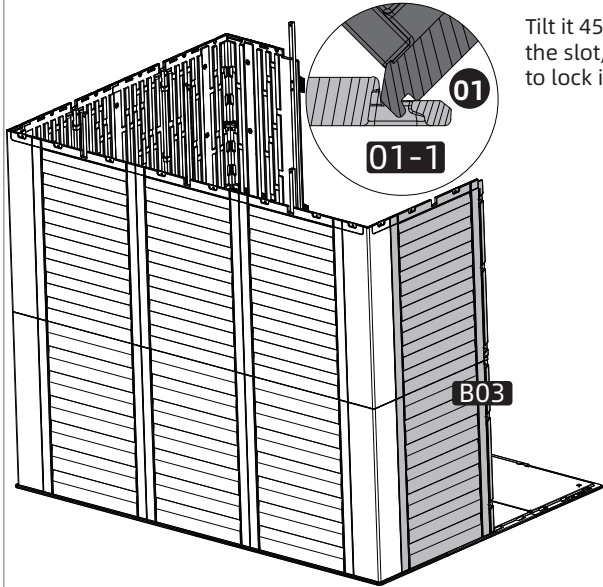


Tilt it 45°, insert it into the slot, then rotate 90° to lock it in place.

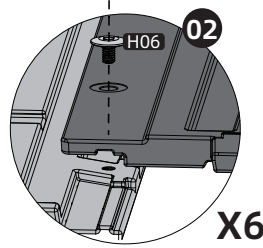
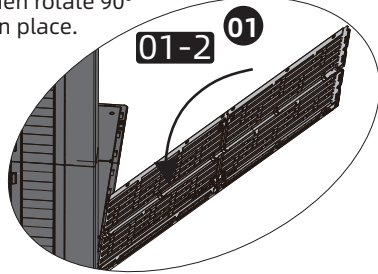


X6

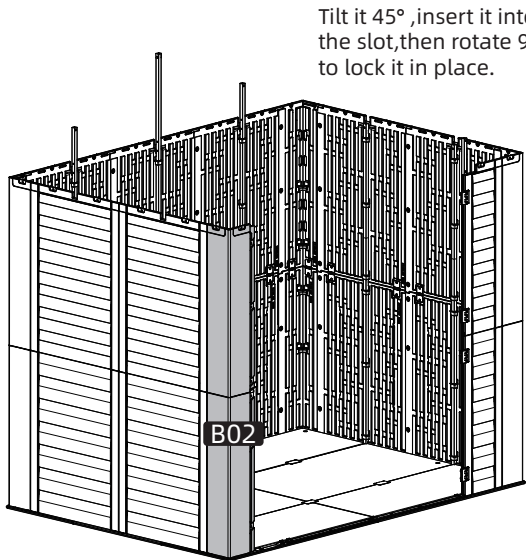
**21** Wall Panel Installation - 8  
(B03 Panel Installation)



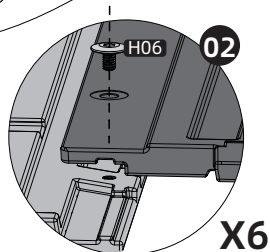
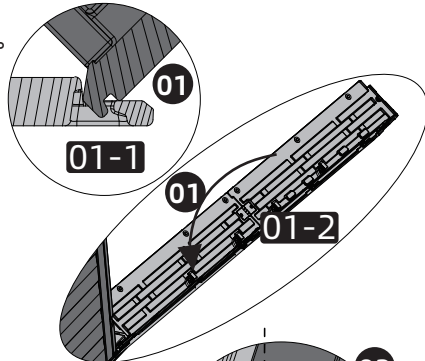
Tilt it 45°, insert it into the slot, then rotate 90° to lock it in place.



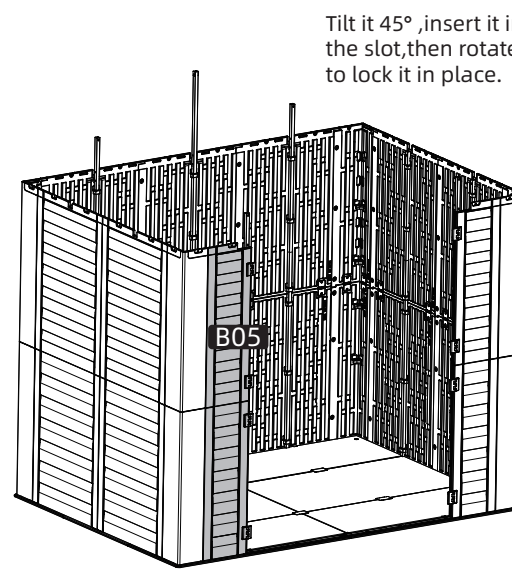
**22** Wall Panel Installation - 9  
(B02 Panel Installation)



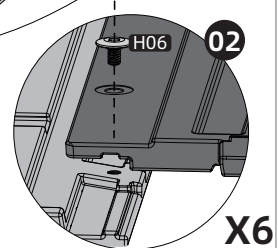
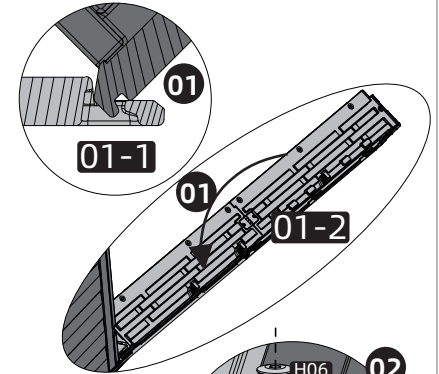
Tilt it 45°, insert it into the slot, then rotate 90° to lock it in place.



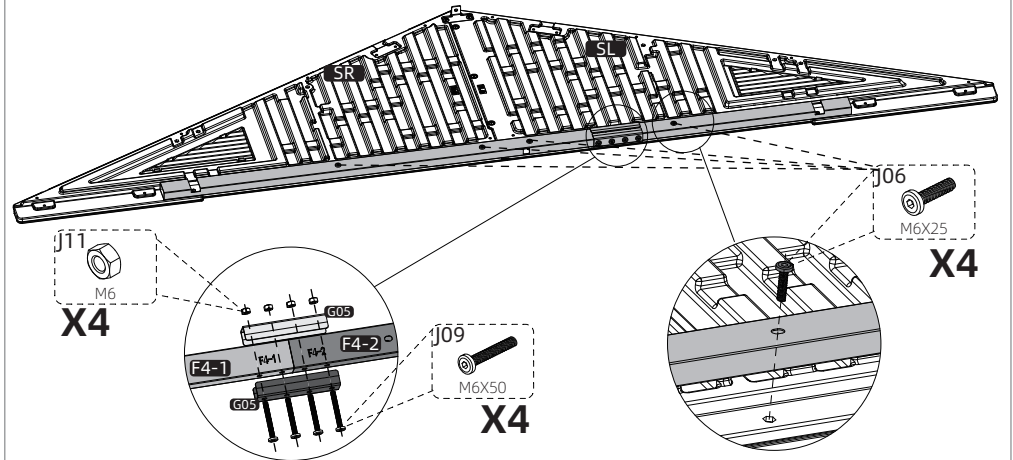
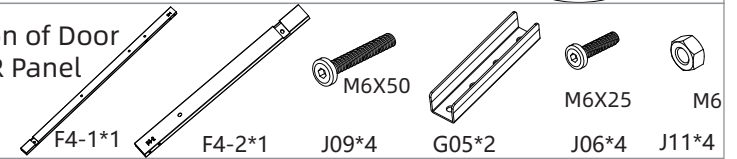
**23** Wall Panel Installation - 10  
(B05 Panel Installation)



Tilt it 45°, insert it into the slot, then rotate 90° to lock it in place.



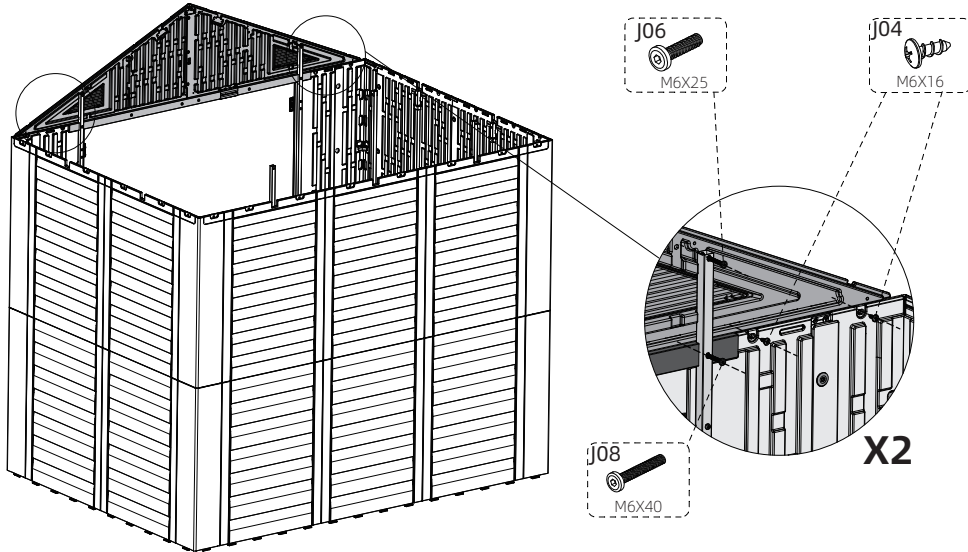
**24** Pre-installation of Door Panel to SL-SR Panel



PRODUCT ASSEMBLY

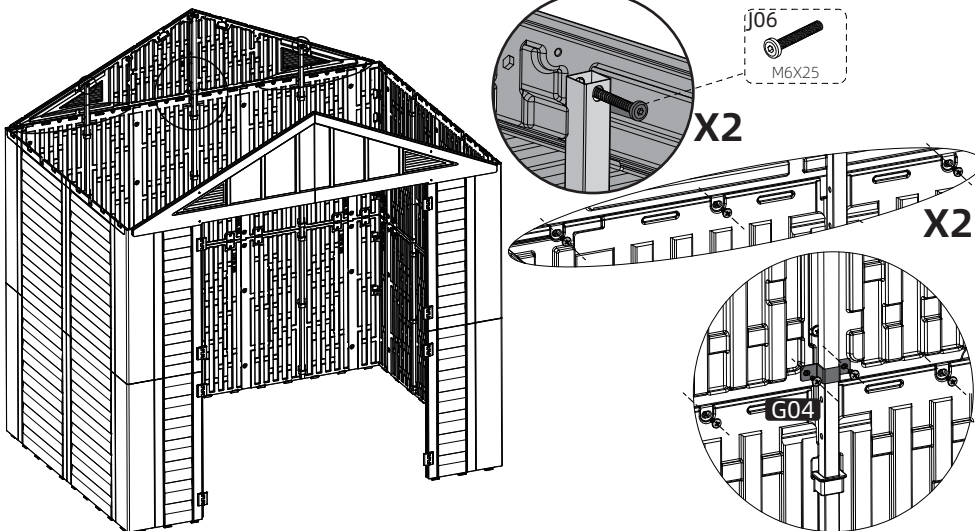
**25** Pre-assemble the door panels with the SL/SR panels.

-   
 M6X40  
 J08\*2
-   
 M6X25  
 J06\*2
-   
 M6X16  
 J04\*4



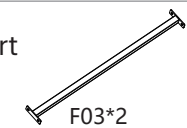


**26** Install the rear panel onto the SL/SR panels

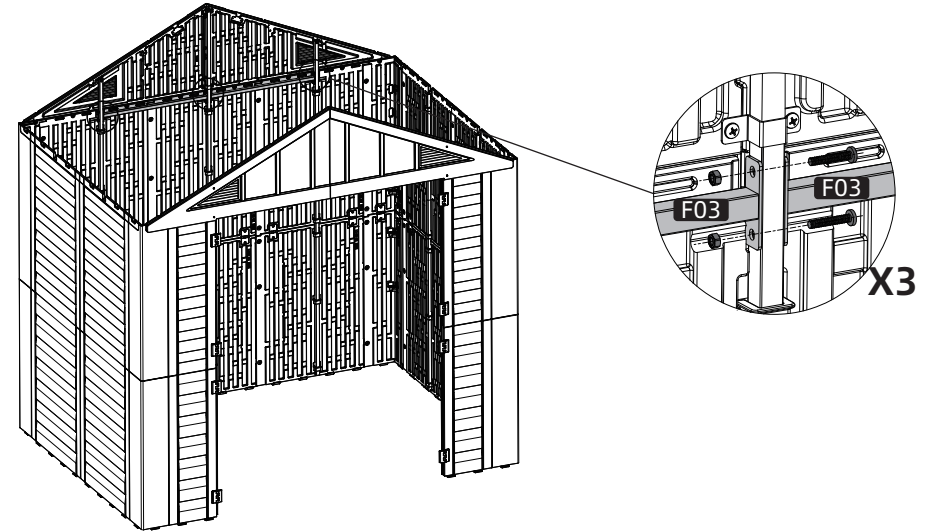
-   
 G04\*1
-   
 M6X16  
 J04\*10
-   
 M6X25  
 J06\*2



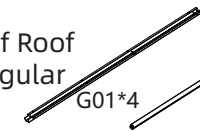
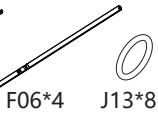




PRODUCT ASSEMBLY

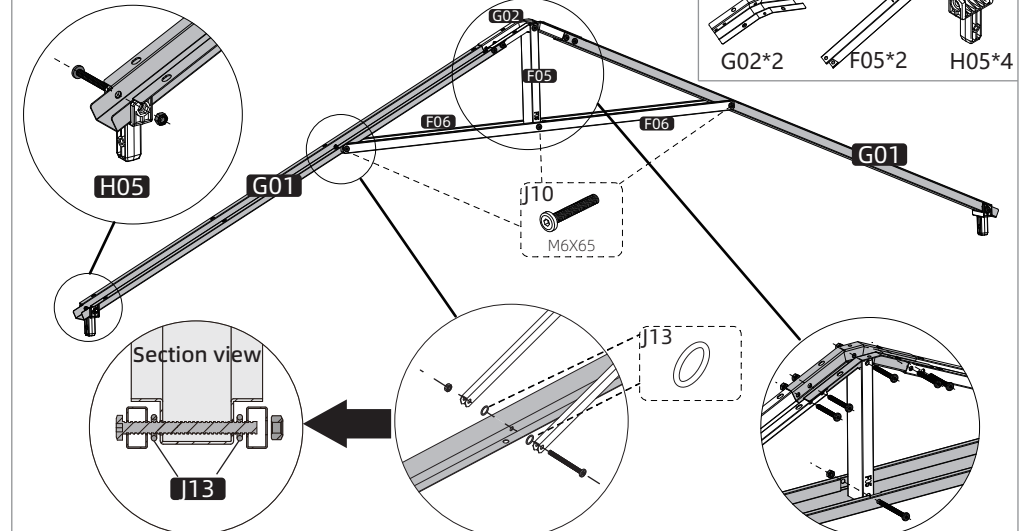
**27** Back Panel Horizontal Support Reinforcement Installation

-   
 F03\*2
-   
 M6X35  
 J07\*6
-   
 M6  
 J11\*6



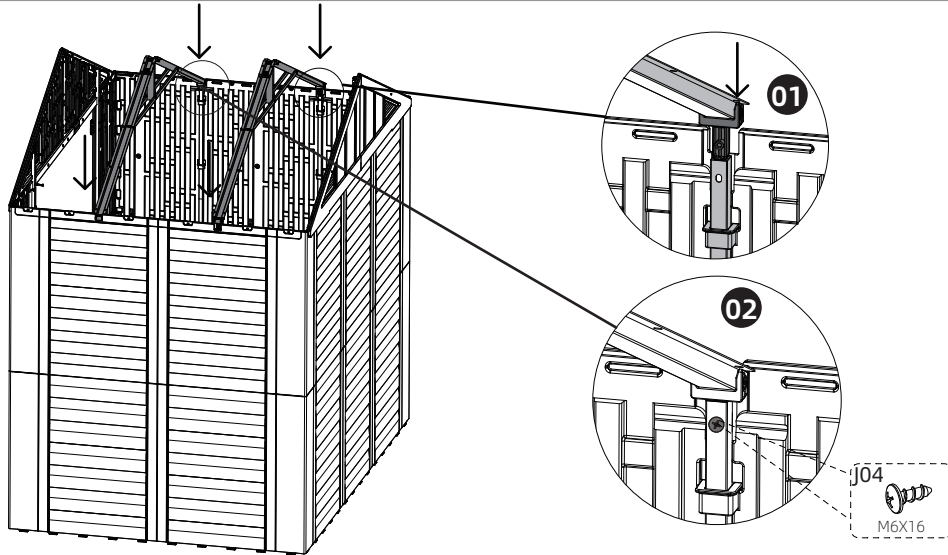
**28** Pre-assembly of Roof Hardware Triangular Brackets-x2

-   
 G01\*4
-   
 F06\*4
-   
 J13\*8
-   
 M6X65  
 J10\*6
-   
 M6X50  
 J09\*14
-   
 M6  
 J11\*20

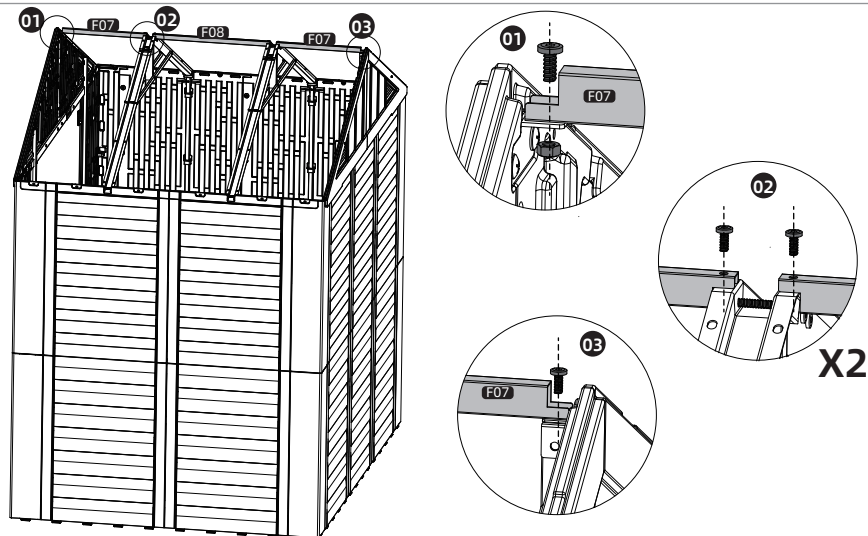
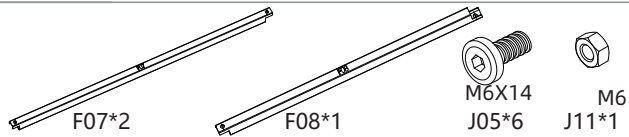


PRODUCT ASSEMBLY

**29** Installation of Roof Hardware  
Triangular Brackets

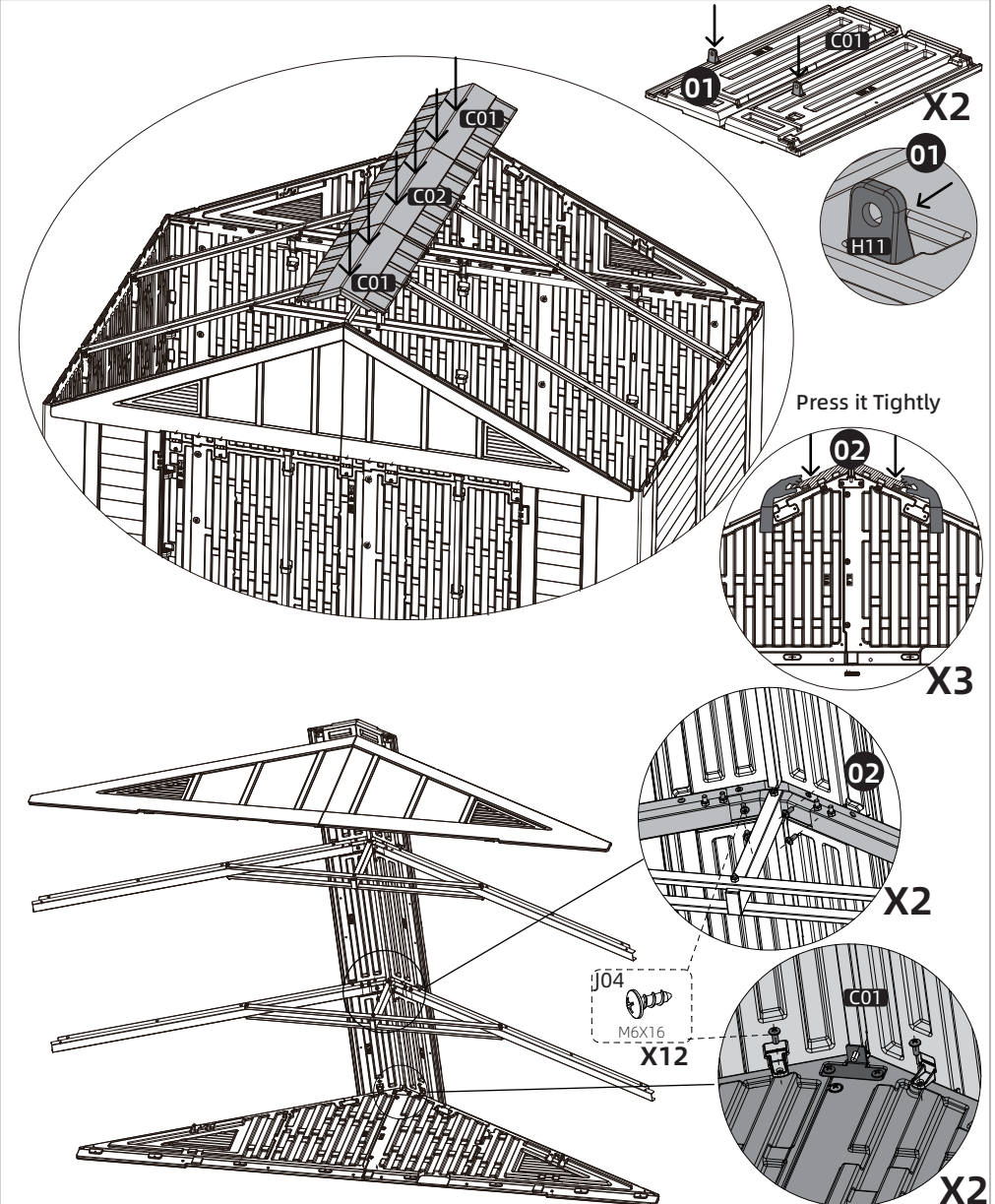
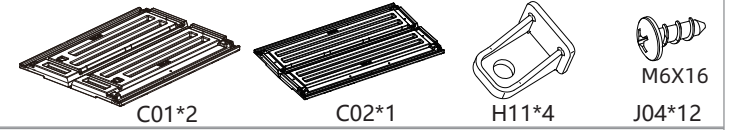


**30** Roof Connecting  
Rod Installation

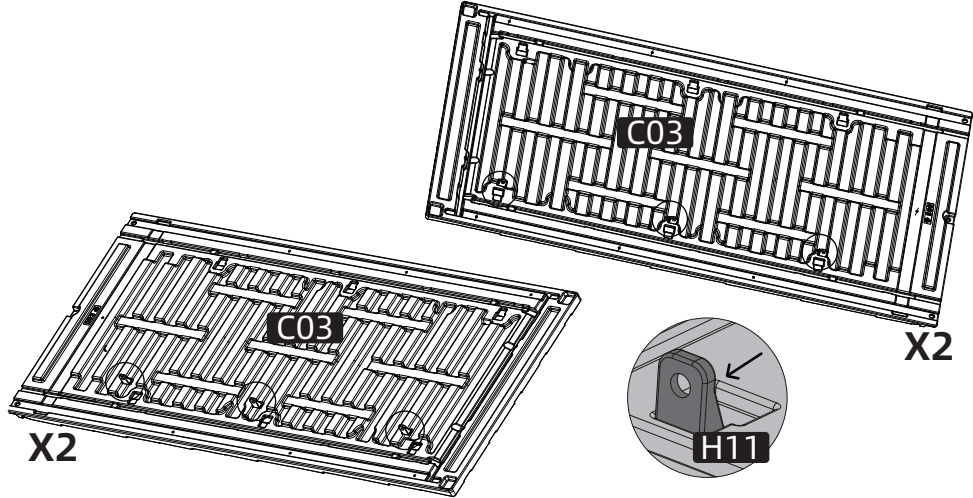
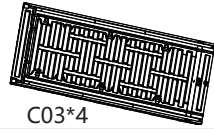


PRODUCT ASSEMBLY

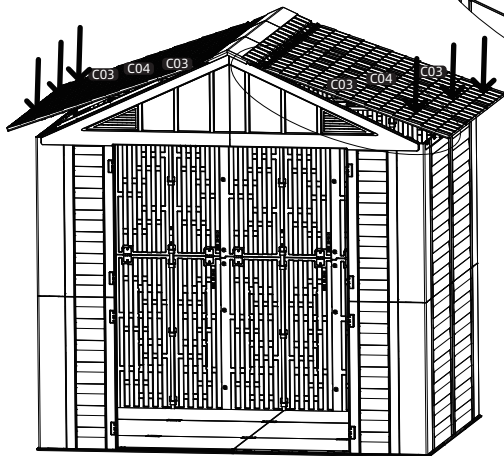
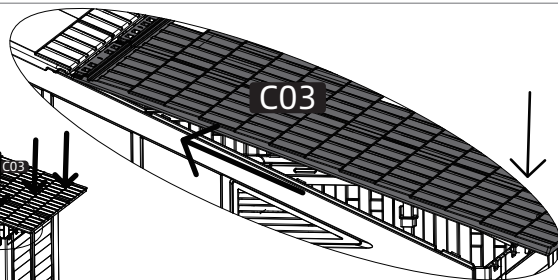
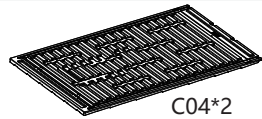
**31** C01-C02 Panel  
Installation



**32** C03 Panel Pre-Installation



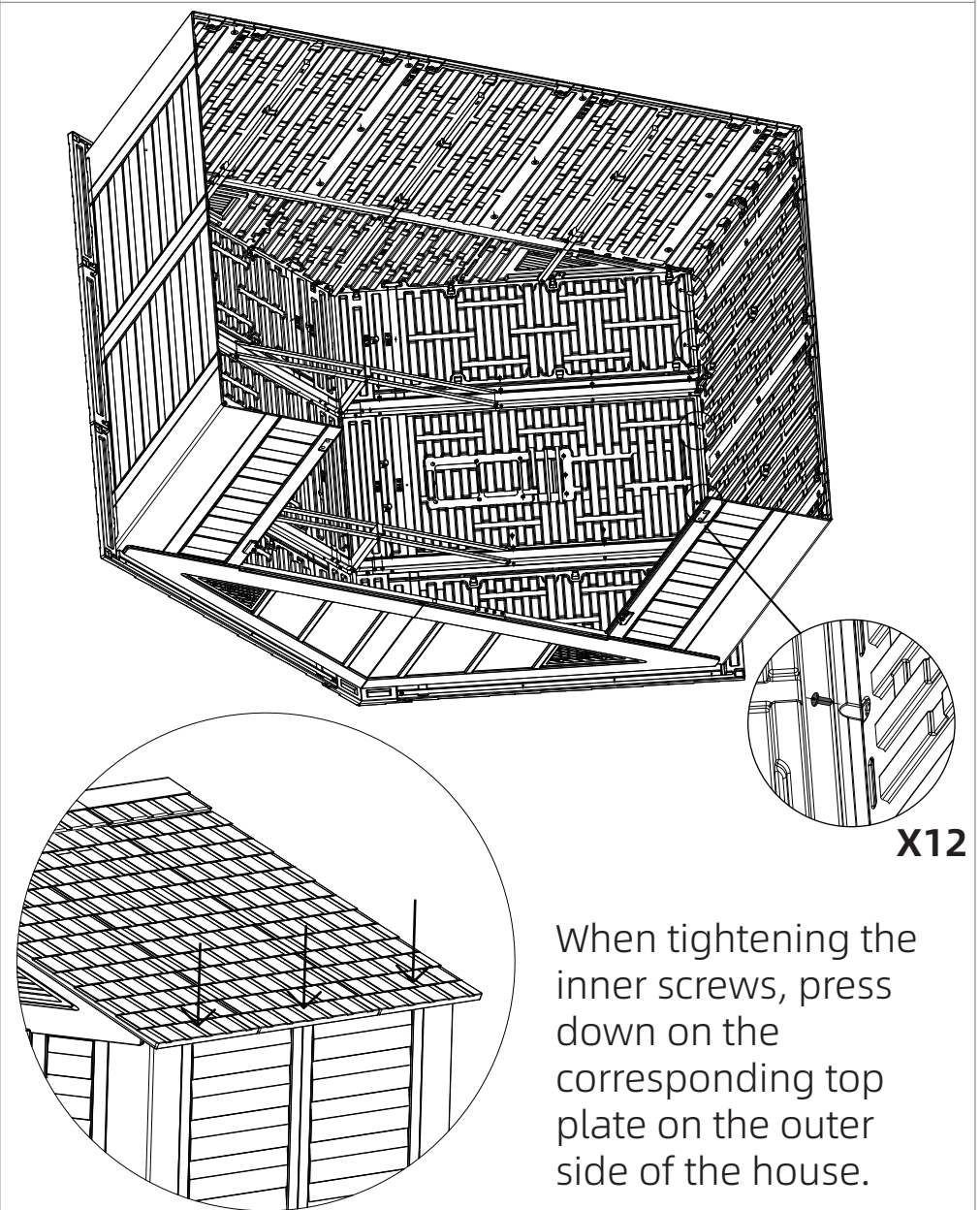
**33** C03-C04 Panel Installation



**34** Secure C03-C04 Panel-1



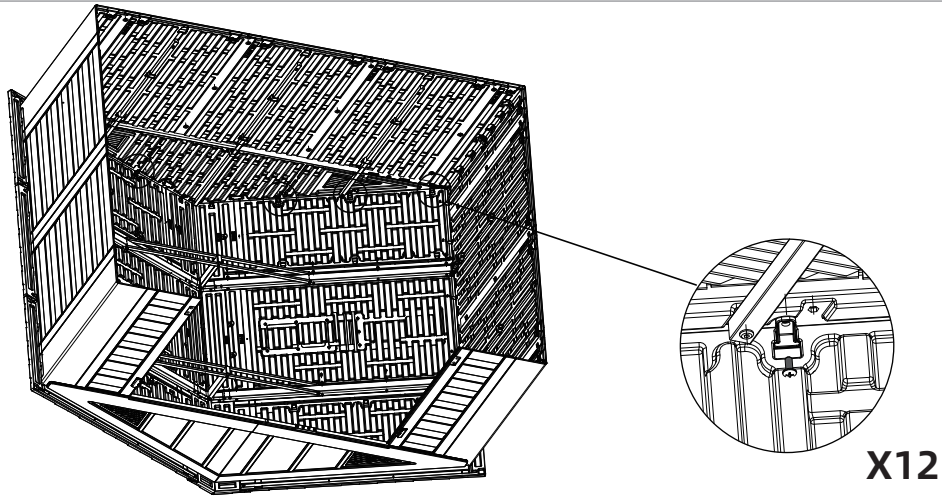
J04\*12 M6X16



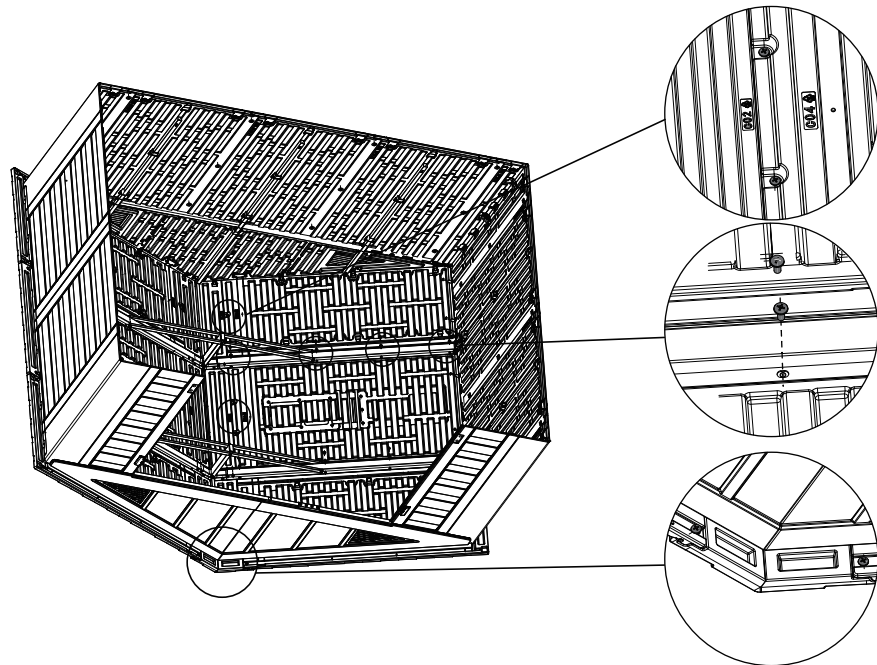
When tightening the inner screws, press down on the corresponding top plate on the outer side of the house.

PRODUCT ASSEMBLY

**35** Secure C03-C04 Panel-2  J04\*12 M6X16

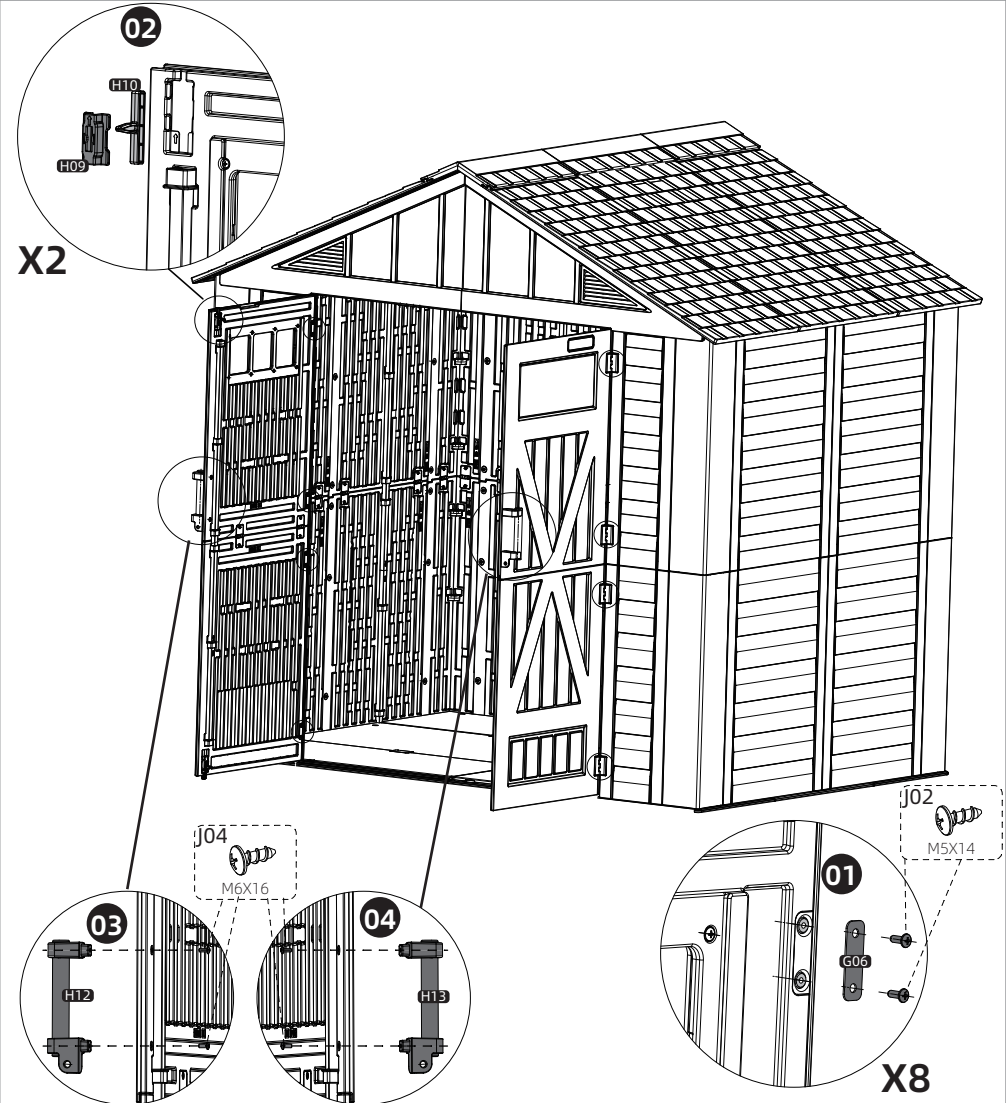
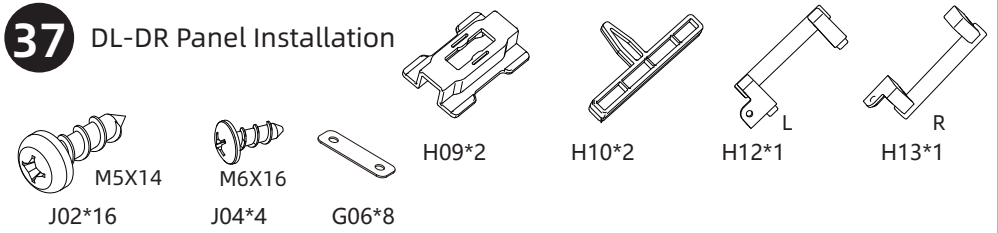


**36** Secure C03-C04 Panel-3  J04\*44 M6X16

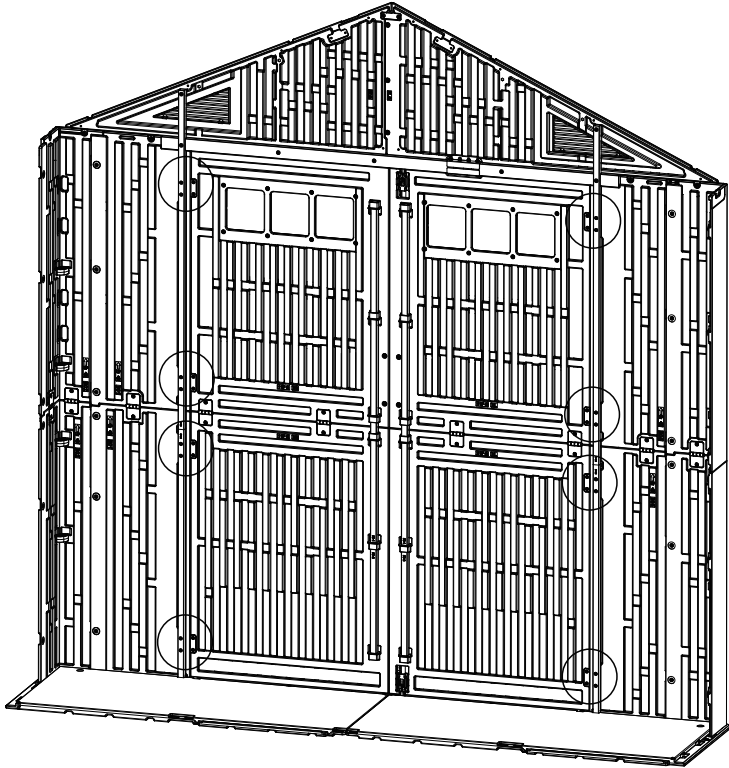


PRODUCT ASSEMBLY

**37** DL-DR Panel Installation



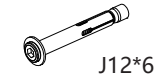
## 38 Door Panel Adjustment



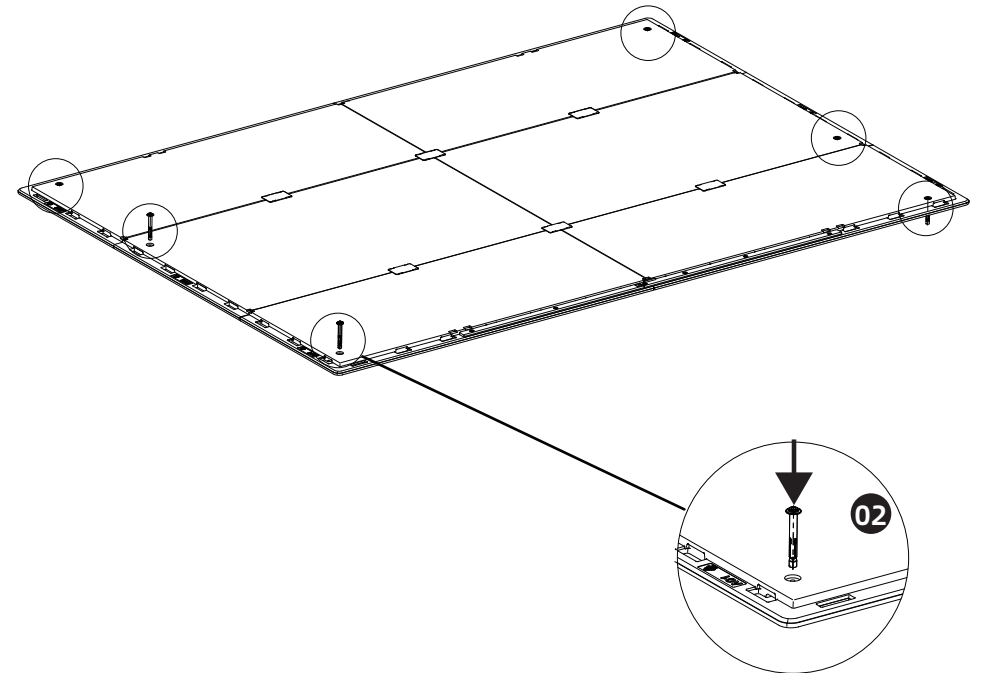
If the door does not close properly, please follow these steps to adjust it:

1. First, loosen all the screws on the hinges (as shown).
2. Close the door, then adjust the gap between the two doors and the gap at the bottom.
3. Tighten all the screws again.

## 39 J12 Ground Stake Installation



- 01 Create six screw holes using a 12mm-diameter drill bit, and drill six 10mm-diameter mounting holes in the ground.



Assemble the screws and fix the shed to the ground.

# Installation Complete

