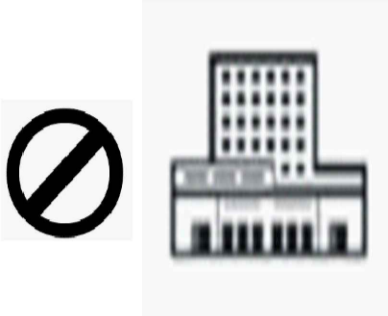
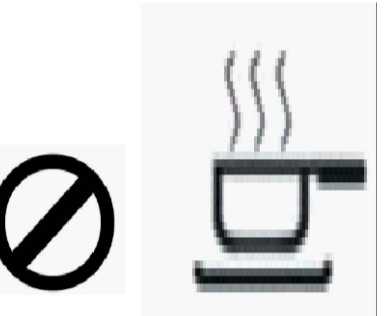

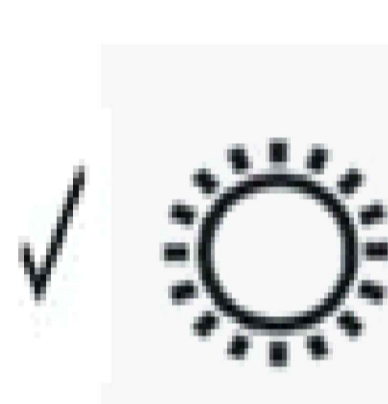

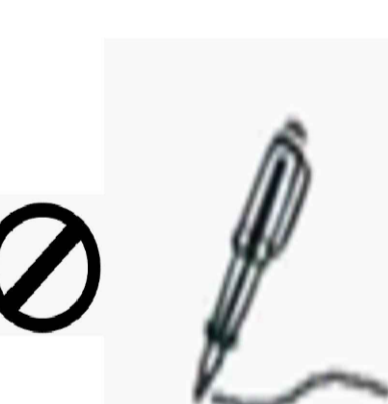






# Assembly Instructions

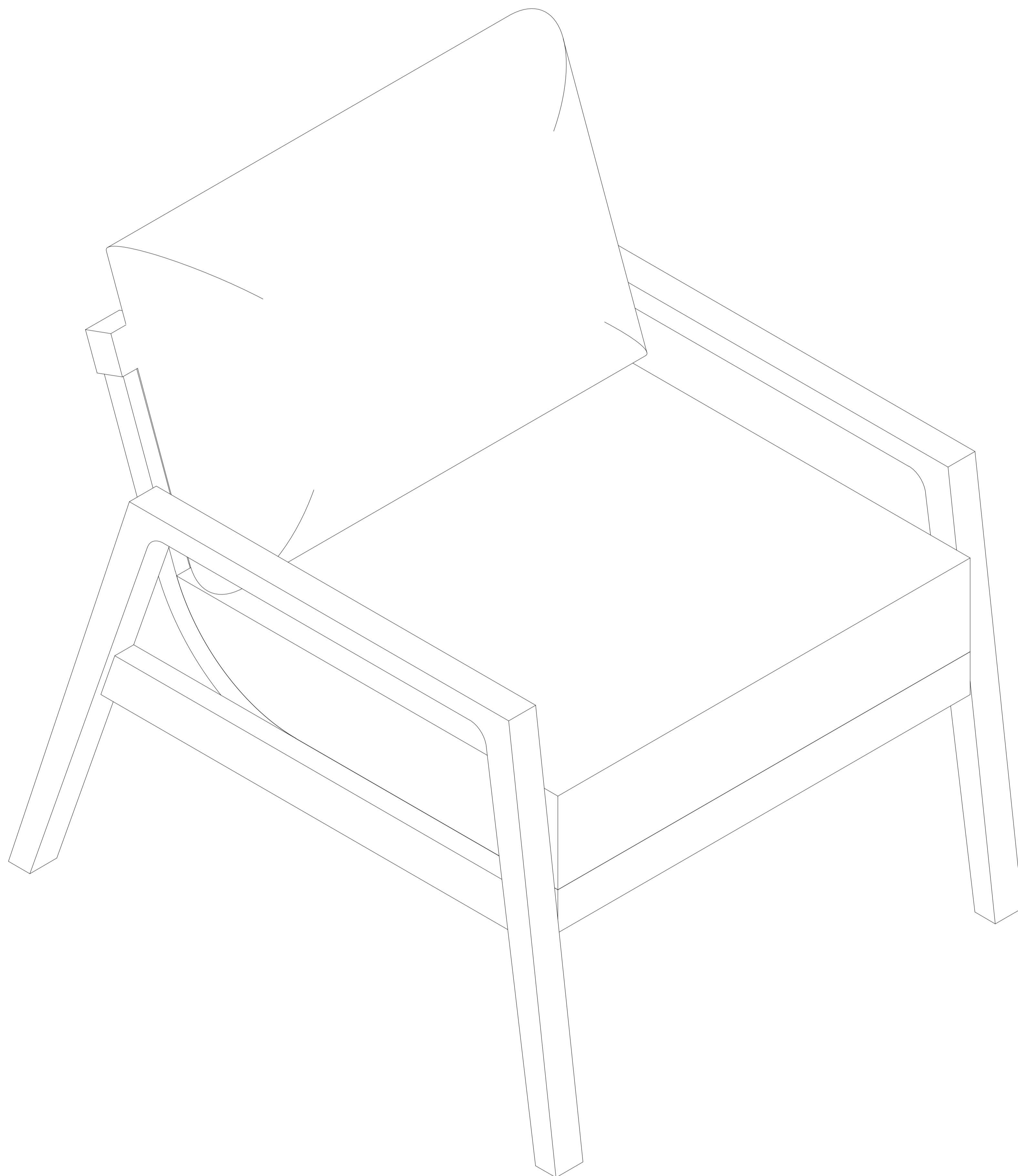
**CAUTION** : You must read these Assembly Instruction before you proceed

## Care & Maintenance

-  ● Not for commercial use. For residential use only.
-  ● Do not put hot items directly on furniture surface.
-  ● Do not clean furniture with harsh cleansers or polish.
-  ● To obtain the longest lifespan of your outdoor product minimizing exposure to direct sunlight is recommended.
-  ● Children should not climb or jump on the furniture.
-  ● Do not write on furniture without a padded barrier to protect the surface.
-  ● To obtain the longest lifespan of your outdoor products, avoid extended and lengthy exposure to rain, snow, and direct sunshine. Whenever possible cover the product and /or place under patio or awnings.
-  ● Stains may be removed with mild soap solution and damp cloth.
-  ● Keep away from sources of ignition.
-  ● Dust and pick-up spills using a clean, non-colored, lint-free cloth.

Please look into the Seat Panel for hardware packs.

# CHAIR

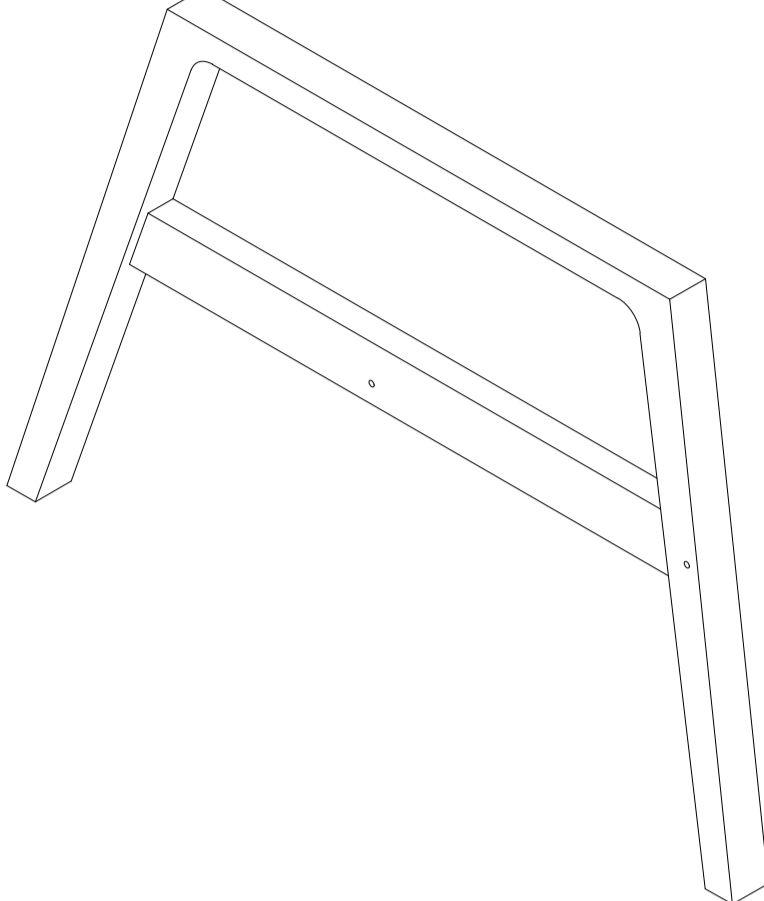
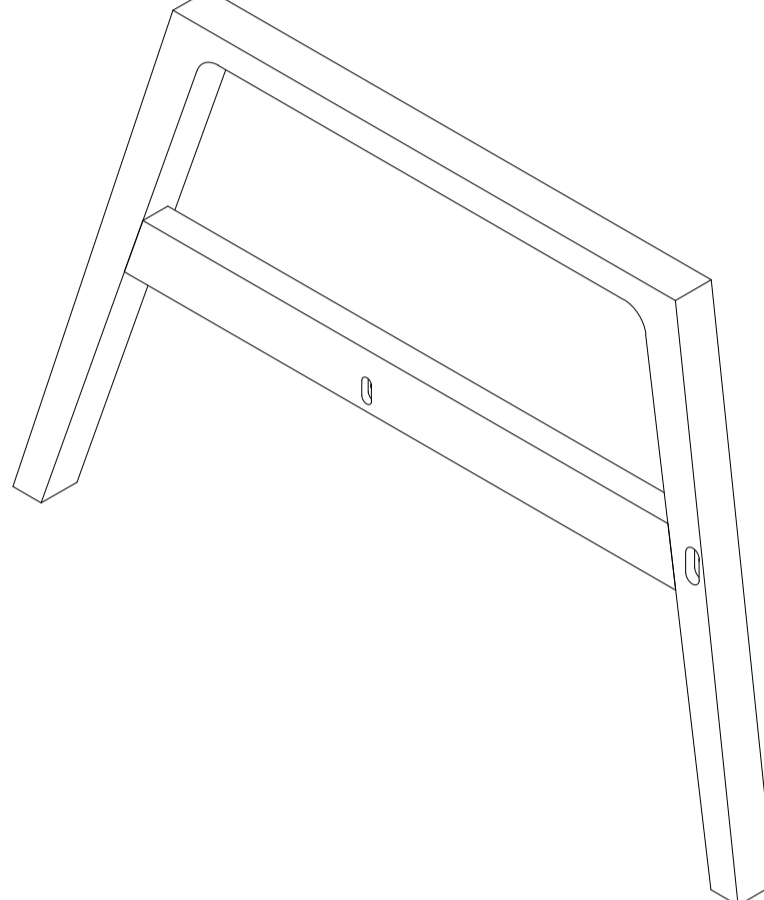
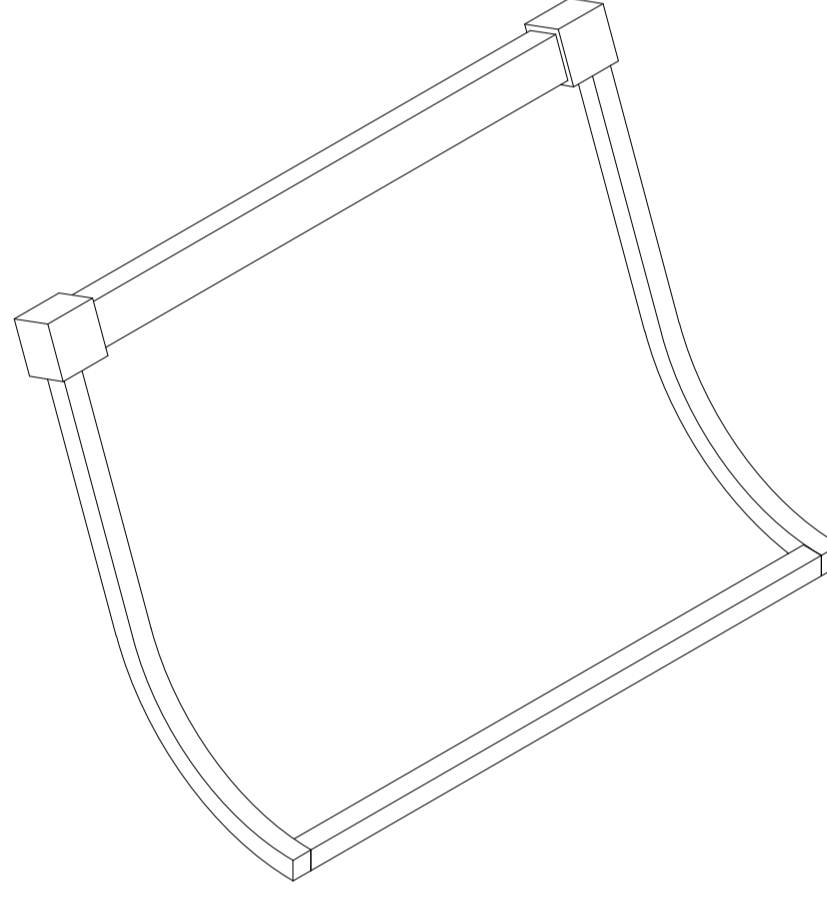
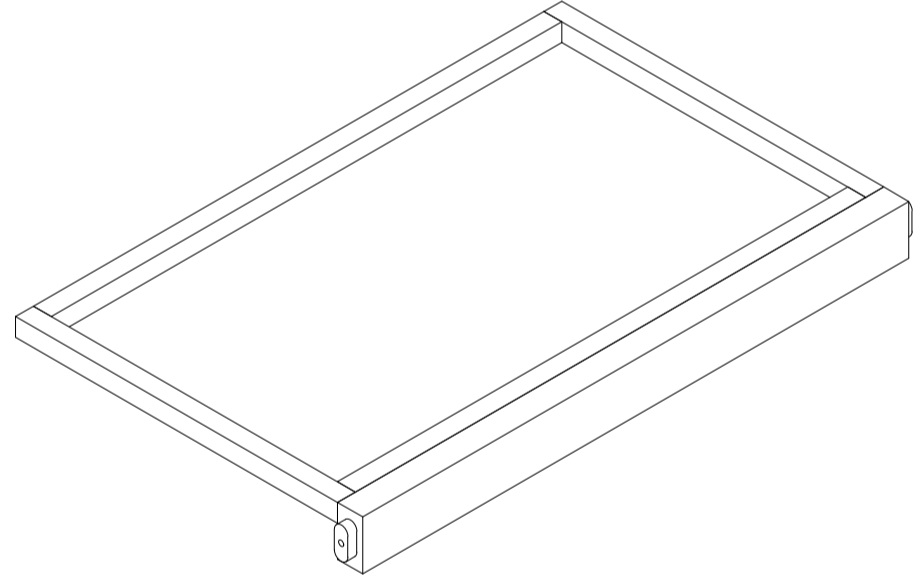
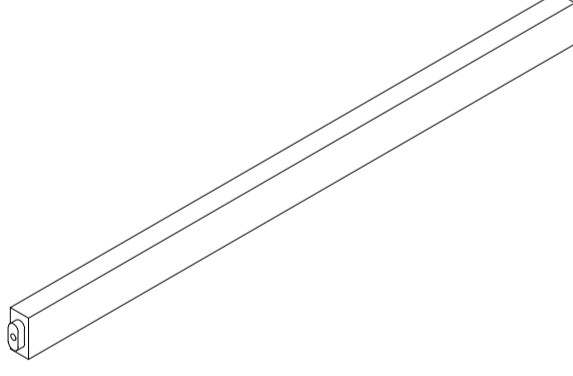
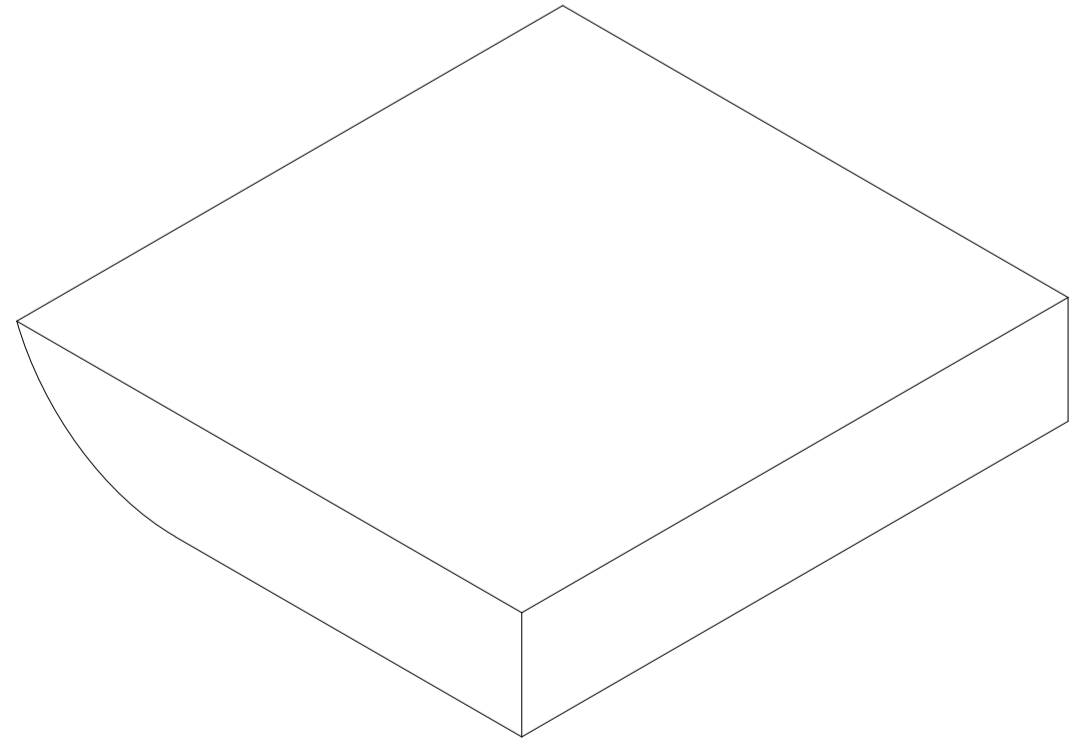
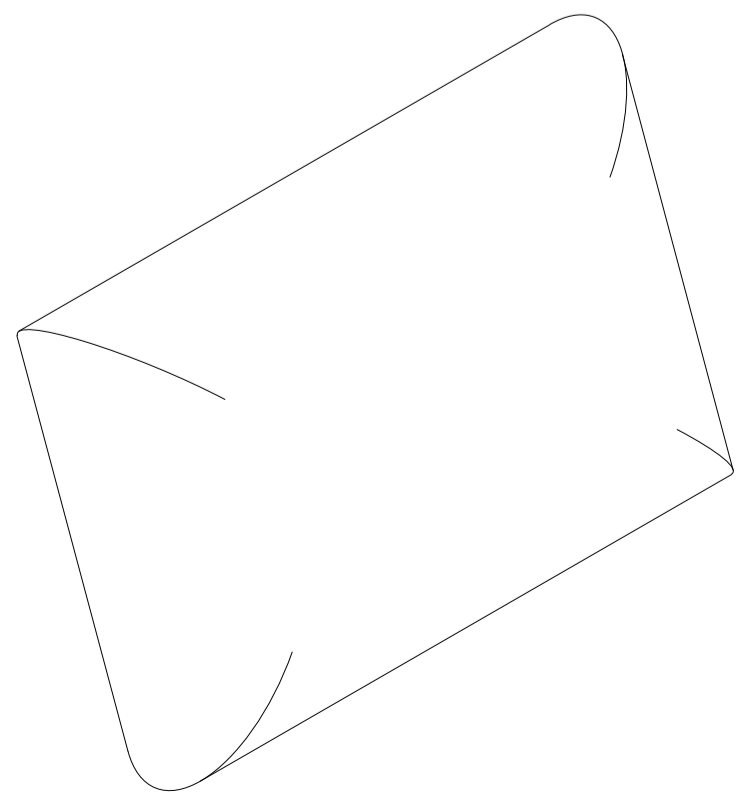


**CAUTION:** This **Chair** is NOT a TOY


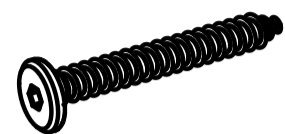

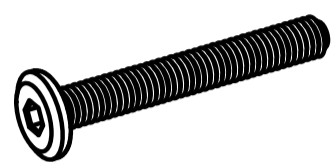


Keep your child / children at bay during the assembly process.

For turning the **Chair** and to prevent damage to the **Chair**, 02 adults may be needed to execute this action

# Parts List

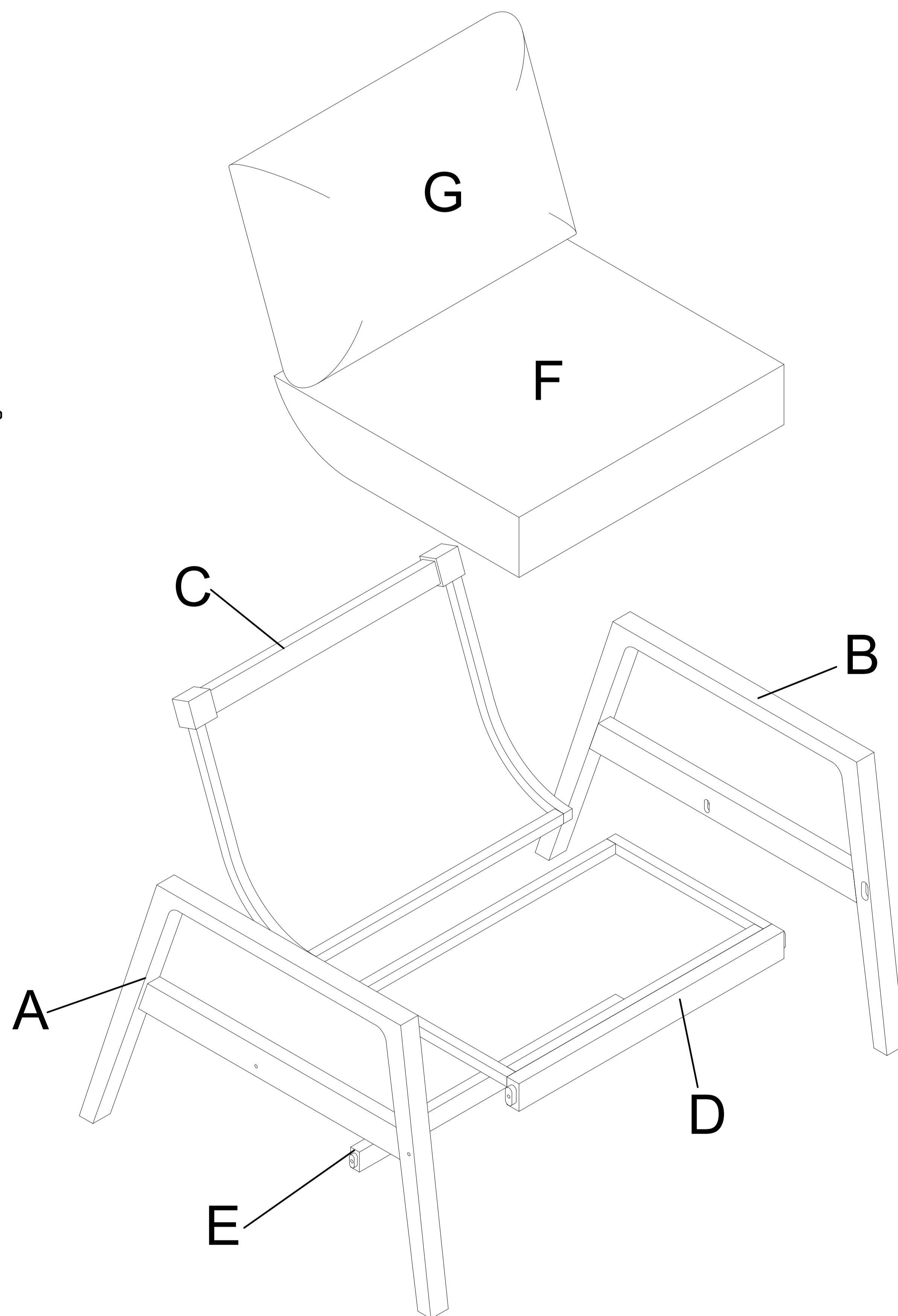
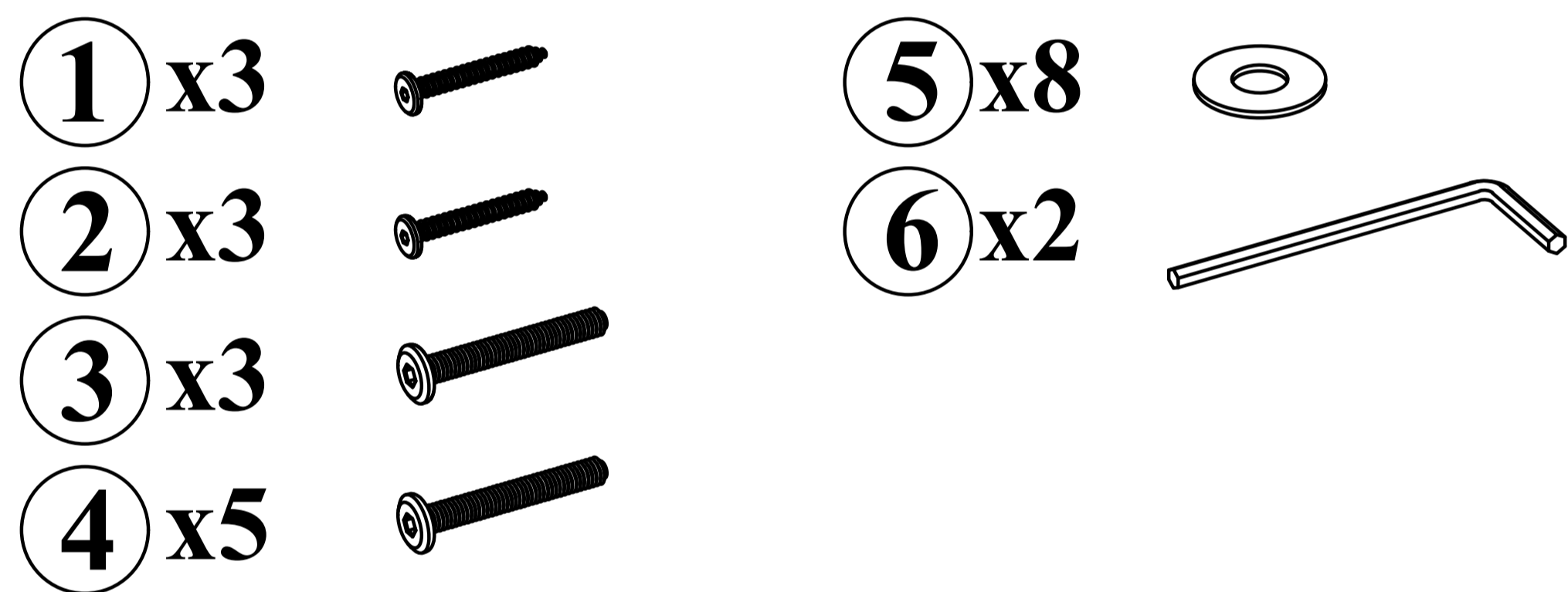
Label	Picture	Description	Qty
A		Left Leg	1
B		Right Leg	1
C		Backrest Panel	1
D		Seat Panel	1
E		Support Bar	1
F		Seat Cushion	1
G		Back Cushion	1

# Hardware:

No.	Picture	Description	Q.ty
①		Screw (M6x60)	3
②		Screw (M6x80)	3
③		Bolt (M6x40)	3
④		Bolt (M6x70)	5
⑤		Washer	8
⑥		Allen Wrench	2

## Assembly Preparation:

### Before Beginning Assembly:



- Read instructions, cover to cover



- Have 2 adults on hand for assembly



- Do not assemble on the flooring or carpet



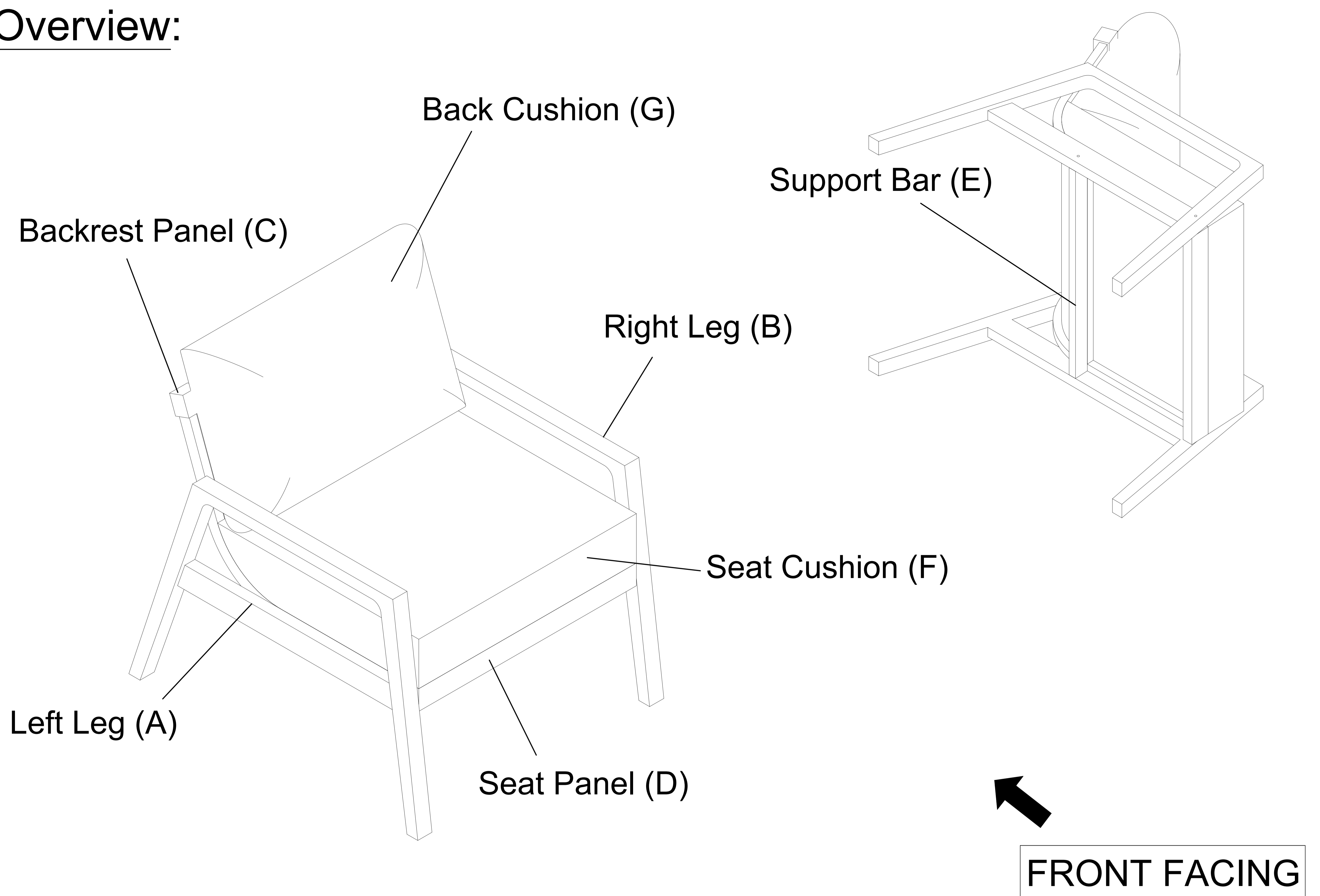
- Assemble on a clean, non-marring surface (packing foam)



- Save all packaging until finished.

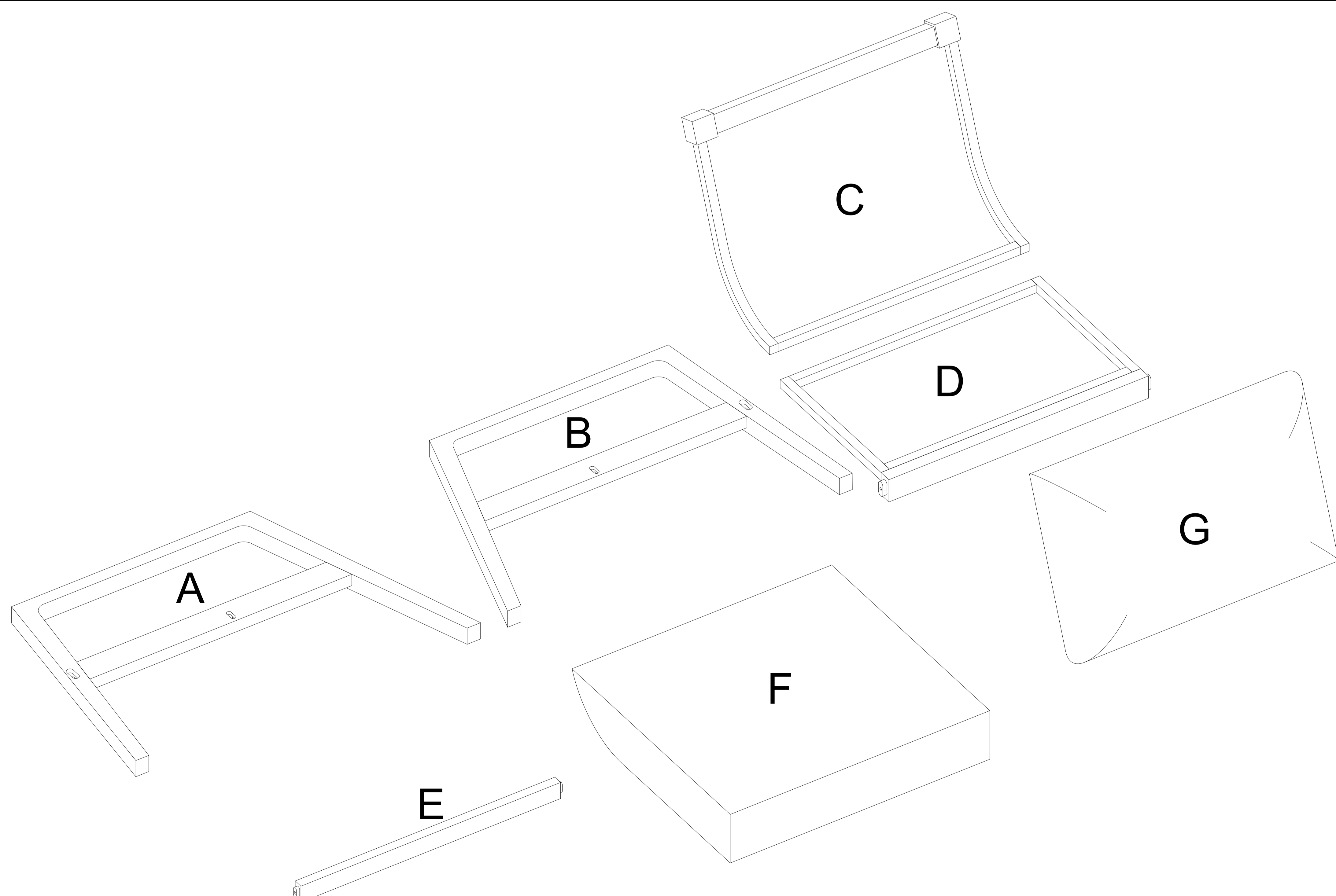
## Assembly Steps:

### Overview:



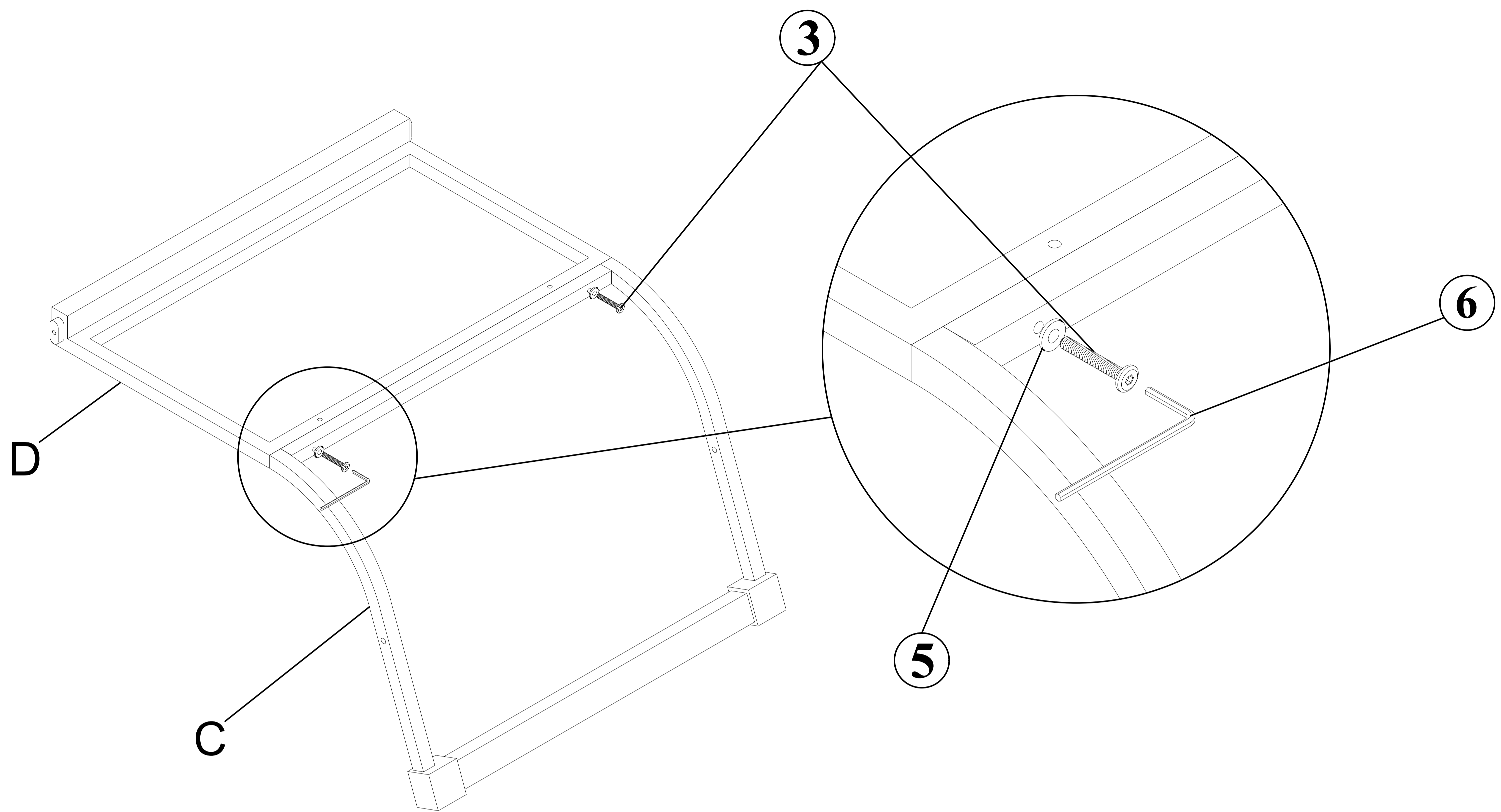
This **Chair** has multiple parts and may require up to 30 minutes to assemble. To give you an overview of the **Chair** parts, the above picture is to help you put the various parts into perspective. Please read through the instructions below to familiarise the parts and steps before assembly.

### Step 1:



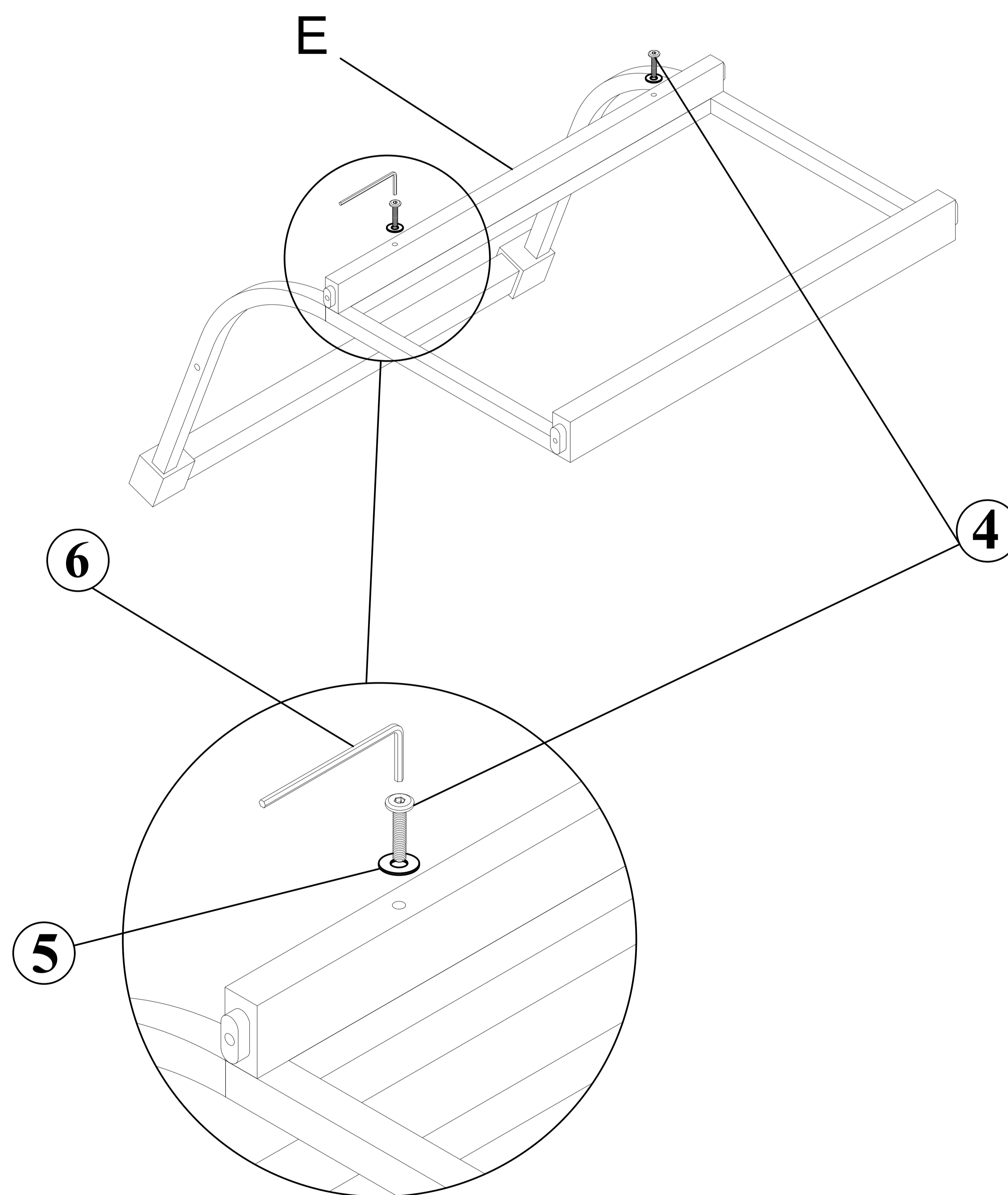
Unpack and place all the parts on a clean, non-marring surface.

Step 2:



Fix the Backrest Panel (C), Seat Panel (D) by using 2pcs Bolt (③) and 2pcs Washer (⑤) by Allen Wrench (⑥).  
**DO NOT fully tighten the Bolts.**

Step 3:

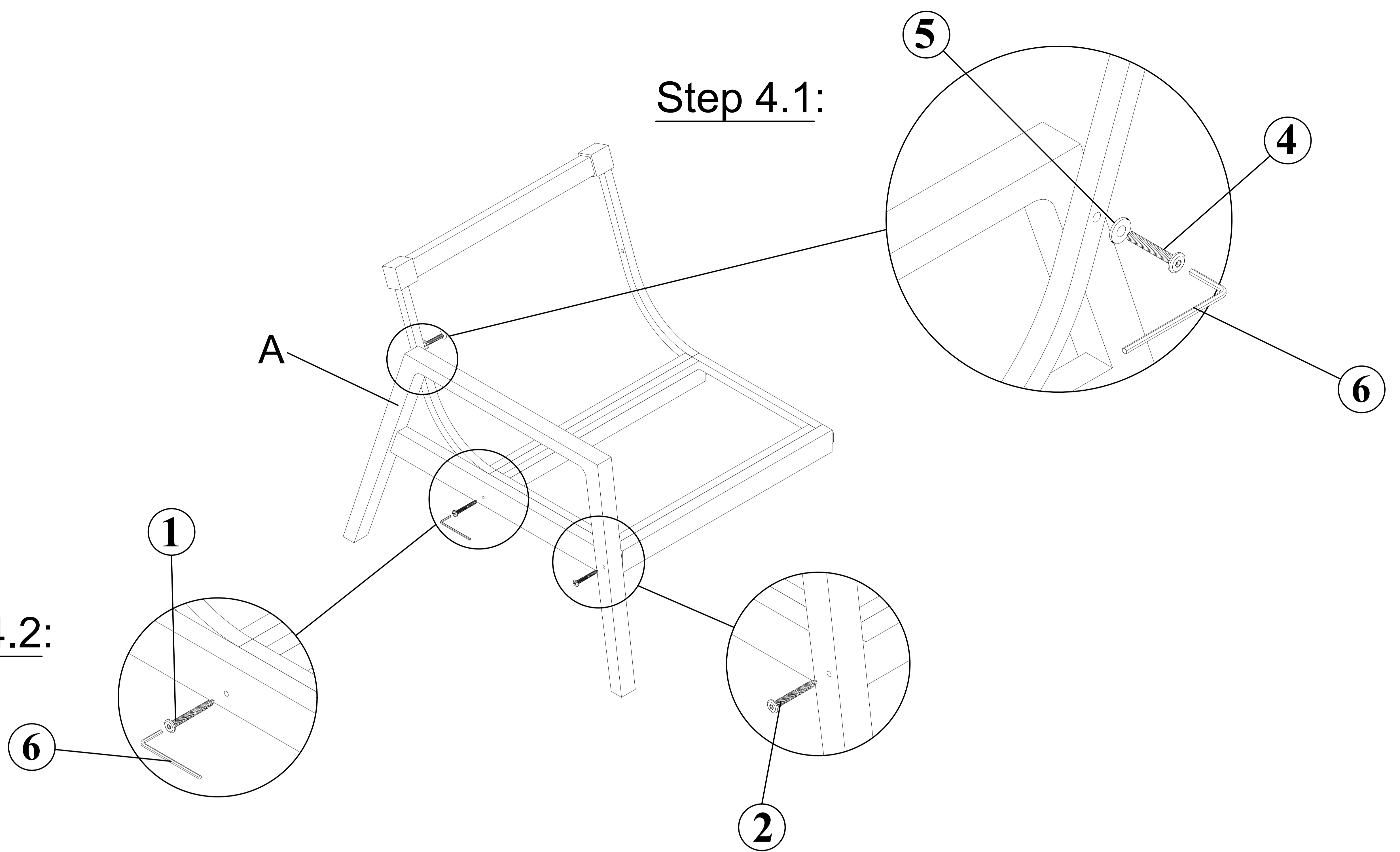


Fix the Support Bar (E) to the **Assembled parts in Step 2** by using 2pcs Bolt (④) and 2pcs Washer (⑤) by Allen Wrench (⑥).  
**DO NOT fully tighten the Bolts.**

**Step 4:**

**Step 4.1:**

**Step 4.2:**

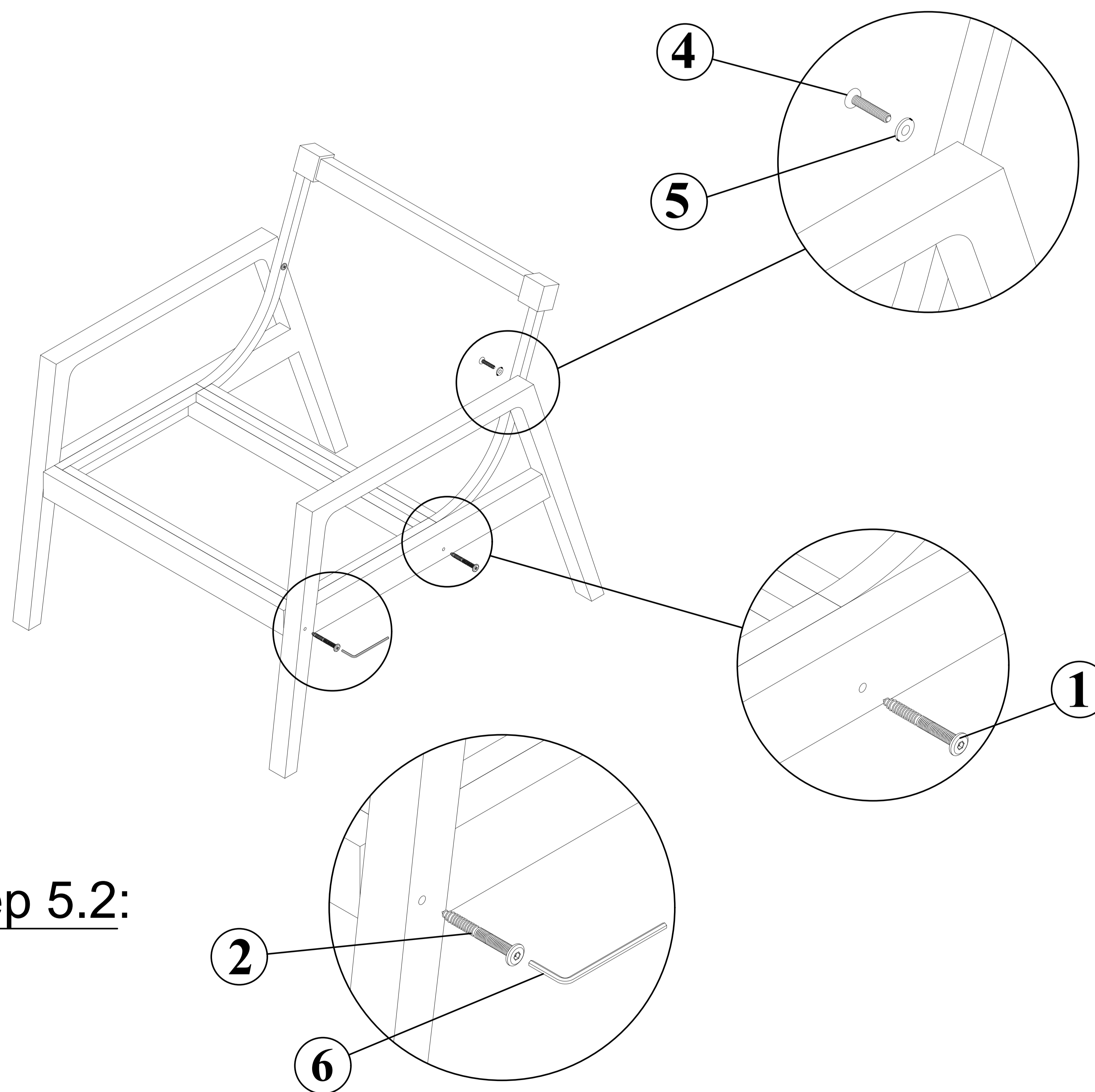


Insert Left Leg (A) to the **Assembled parts in Step 3**. Then :  
**Step 4.1:** Secure Left Leg (A) and Backrest Panel (C) by Bolt (4) and Washer (5) by Allen Wrench (6)  
**Step 4.2:** Secure Left Leg (A) and **Assembled parts in Step 3** by Screw (1) and Screw (2) by Allen Wrench (6) as shown above.  
**DO NOT fully tighten the Screws and Bolts**

**Step 5:**

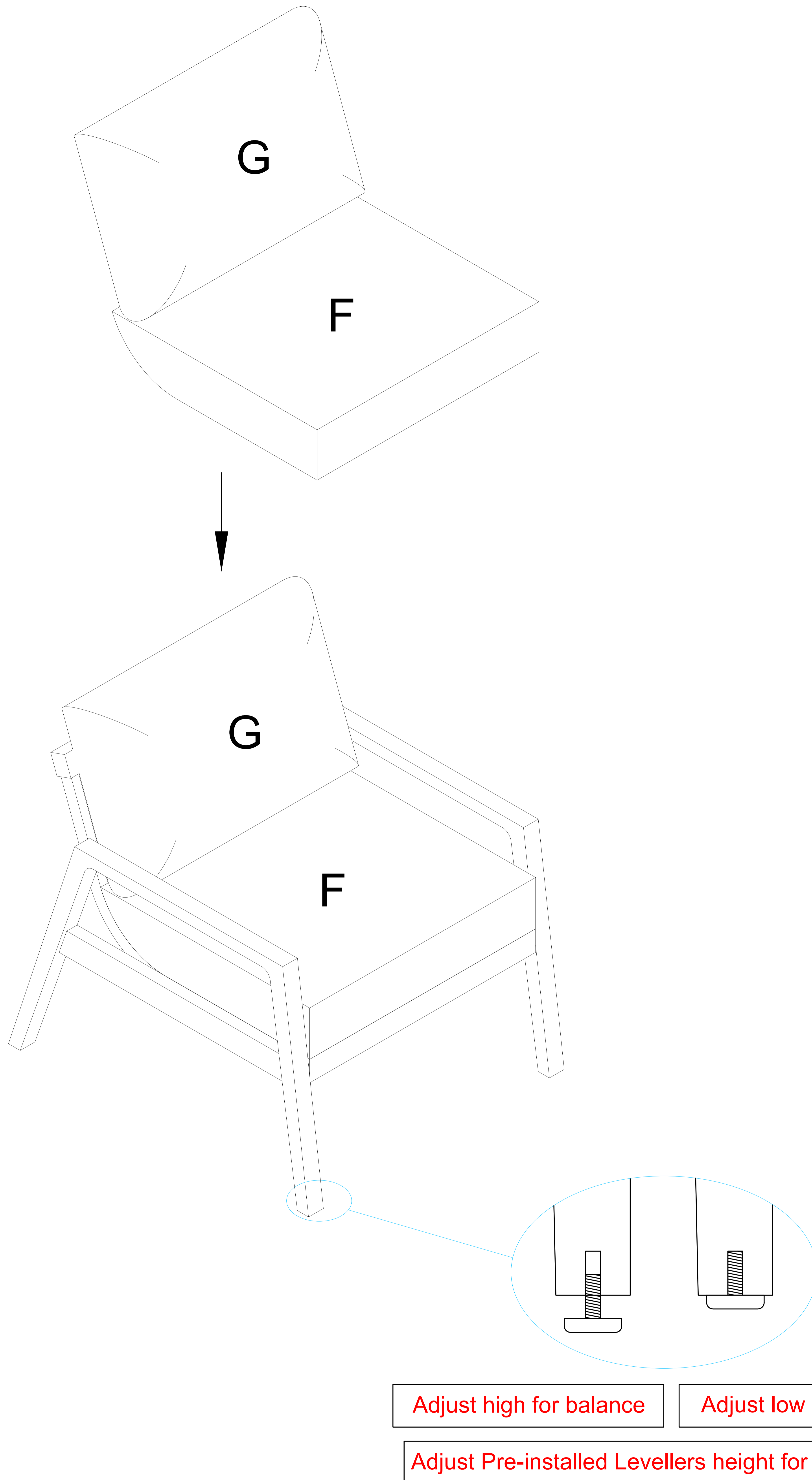
**Step 5.1:**

**Step 5.2:**



Insert Right Leg (B) to the **Assembled parts in Step 4**. Then :  
**Step 5.1:** Secure Right Leg (B) and Backrest Panel (C) by Bolt (4) and Washer (5) by Allen Wrench (6)  
**Step 5.2:** Secure Right Leg (B) and **Assembled parts in Step 3** by Screw (1) and Screw (2) by Allen Wrench (6) as shown above.  
**DO NOT fully tighten the Screws and Bolts**

Step 6:



Place the Seat Cushion (F) and Back Cushion (G) on the Chair.  
Inspect it and make sure all parts are adequately connected.  
Gently and gracefully, sit onto the all Chair. This will help to align all the parts at all joint areas.  
Then get off the Chair and in a sequential manner, gradually tighten all Screws at all joints until evenly connected.  
If there are still wobbles, loosen the Screws and execute this same process.  
**WARNING!! IF CHAIR IS NOT STABLE, IT COULD LEAD TO DAMAGING THE PRODUCT.**  
**Your Chair is ready for use.**  
**This Chair can only be used on a flat, level surface.**