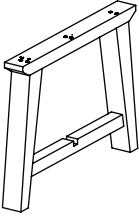
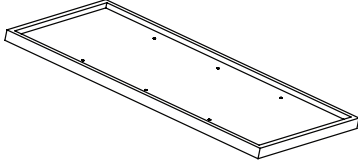
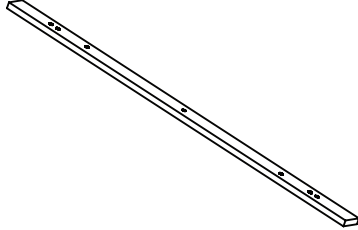
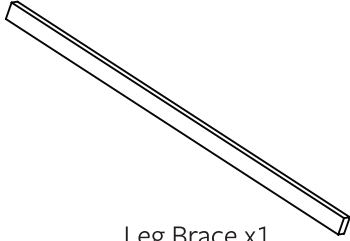








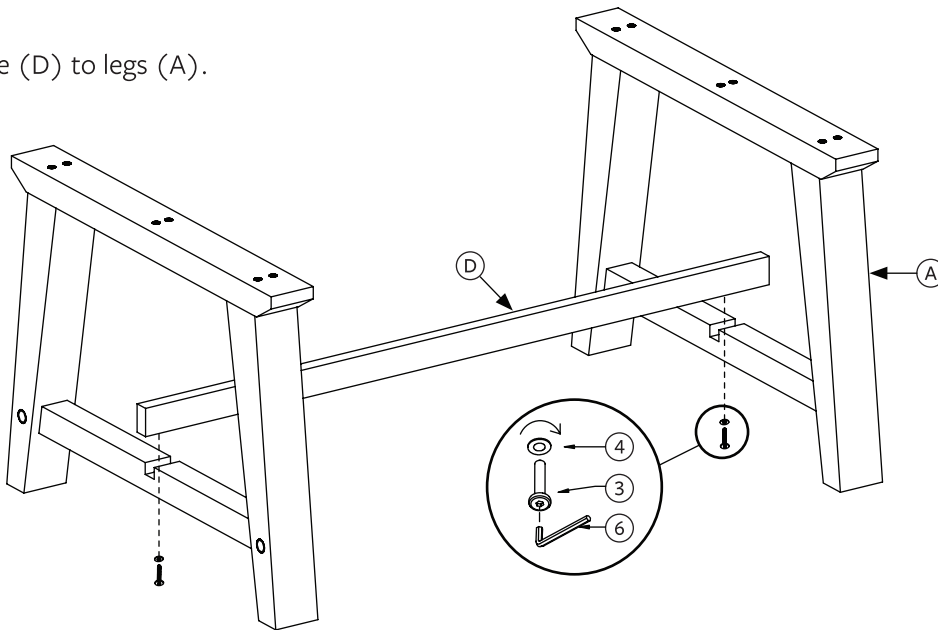
# Dining Table Assembly Instructions

PARTS LIST	 <p>(A) Legs x2</p>	 <p>(B) Tabletop x1</p>	 <p>(C) Tabletop Supports x3</p>	 <p>(D) Leg Brace x1</p>
------------	--	--	--	---

HARDWARE LIST		
 <p>(1) M8 x 40mm Bolt x12</p>	 <p>(2) M8 x 40mm Bolt x9</p>	 <p>(3) M8 x 50mm Bolt x2</p>
 <p>(4) M8 Washer x14</p>	 <p>(5) M6 Washer x9</p>	 <p>(6) Allen key x1</p>

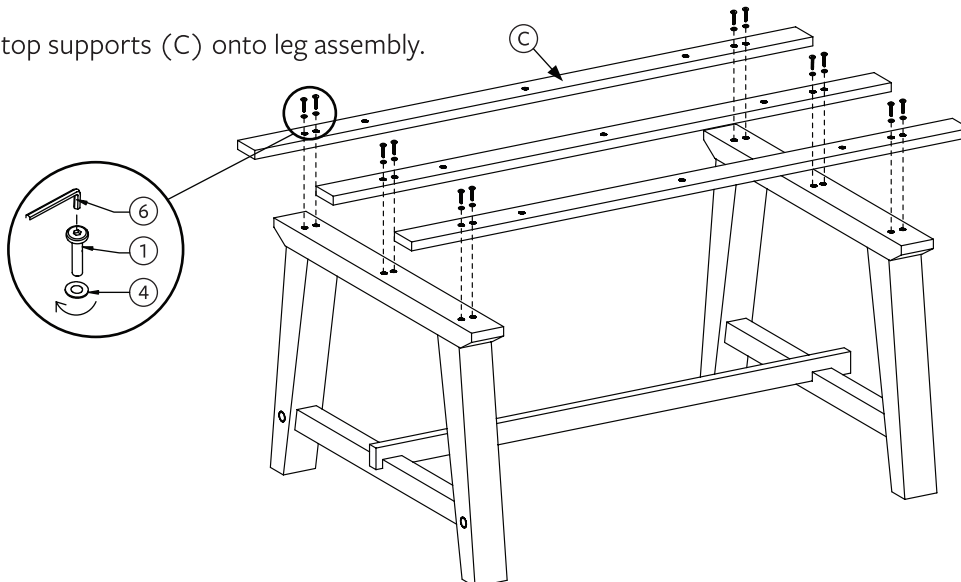
## STEP 1

Attach leg brace (D) to legs (A).



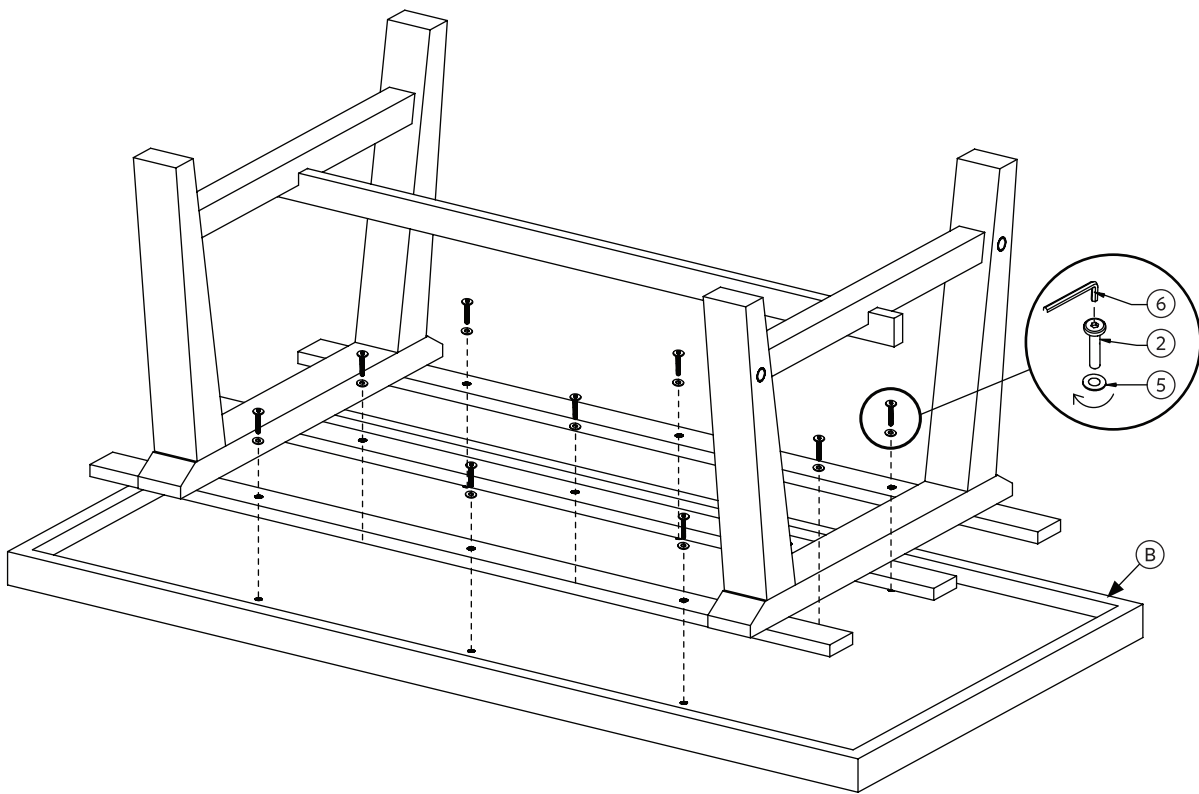
## STEP 2

Attach tabletop supports (C) onto leg assembly.



### STEP 3

Set the tabletop face down on a soft surface. Attach tabletop (B) onto leg assembly.



### STEP 4

With a partner, lift table and set upright.

