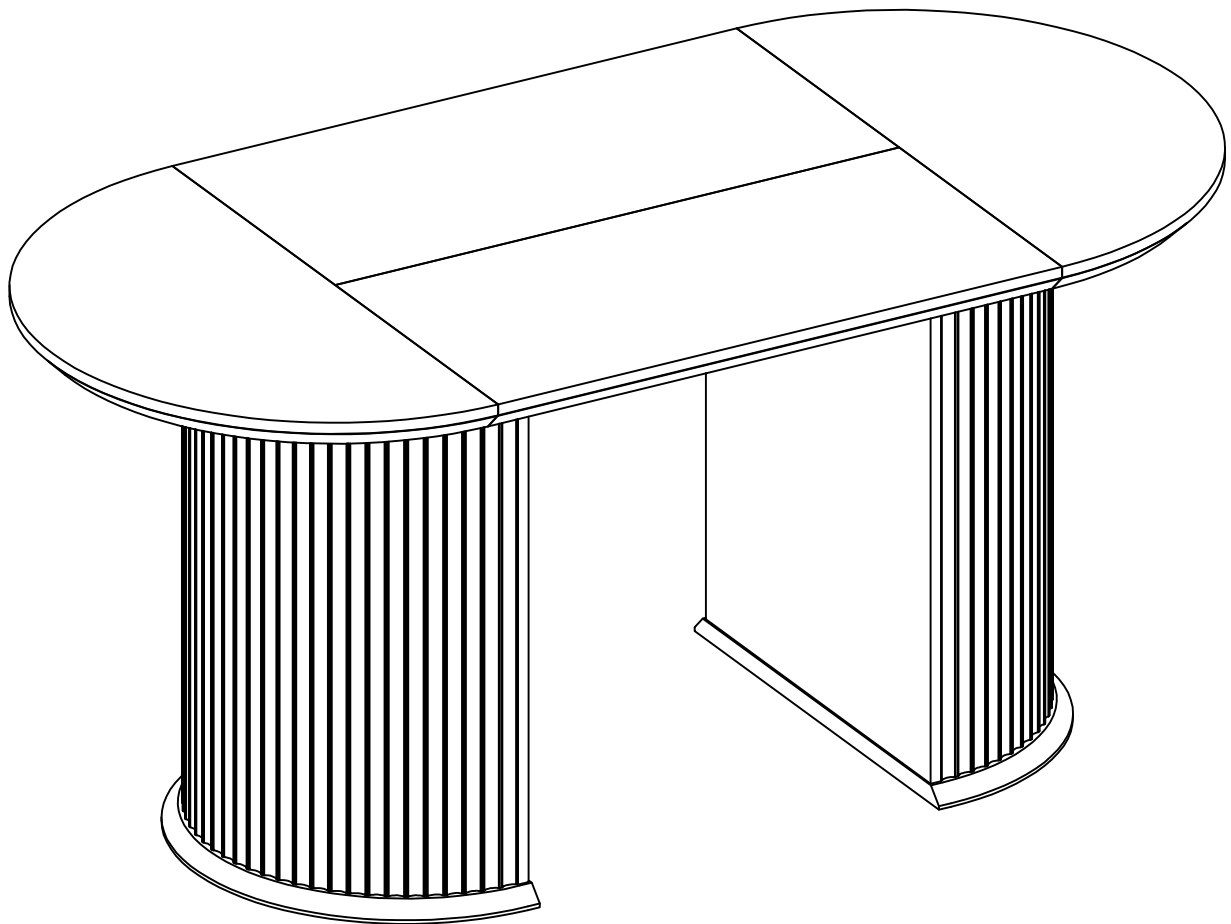


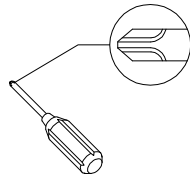
Assembly Instructions



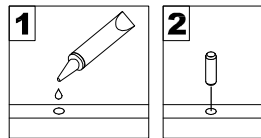
Date 2025-8-9 Rev.01-A

General Assembly Guidelines

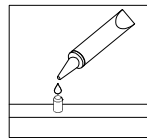
- I. Ensure that all parts and hardware are available before beginning assembly.
- II. Follow each step carefully to ensure the proper assembly of this product.
- III. Two people are recommended for ease in the assembly of this product.
- IV. A Phillips head screwdriver is required for the assembly of this product .



- V. The provided glue is to secure wood dowels in place . When first inserting dowels , locate the appropriate hole for the dowel , place a small amount of glue in the hole and insert the dowel . Wipe away excess glue immediately.

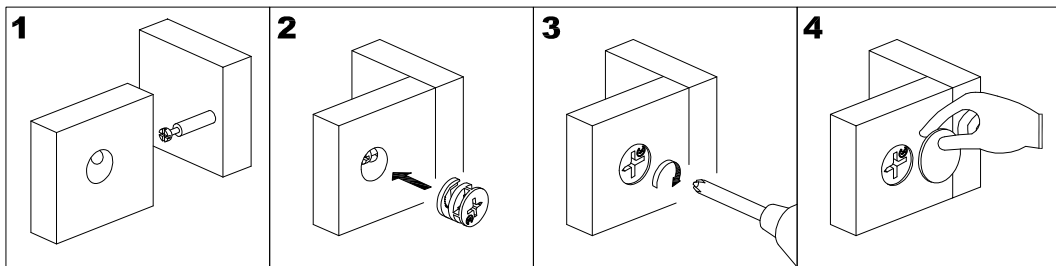


In future assembly steps when dowels are necessary to attach assembly parts together , place a small amount of glue on the end of the dowel before attaching parts together . Wipe away excess glue immediately.

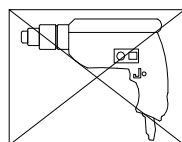


VI HOW THE KNOCK DOWN (KD) ASSEMBLY SYSTEM WORKS

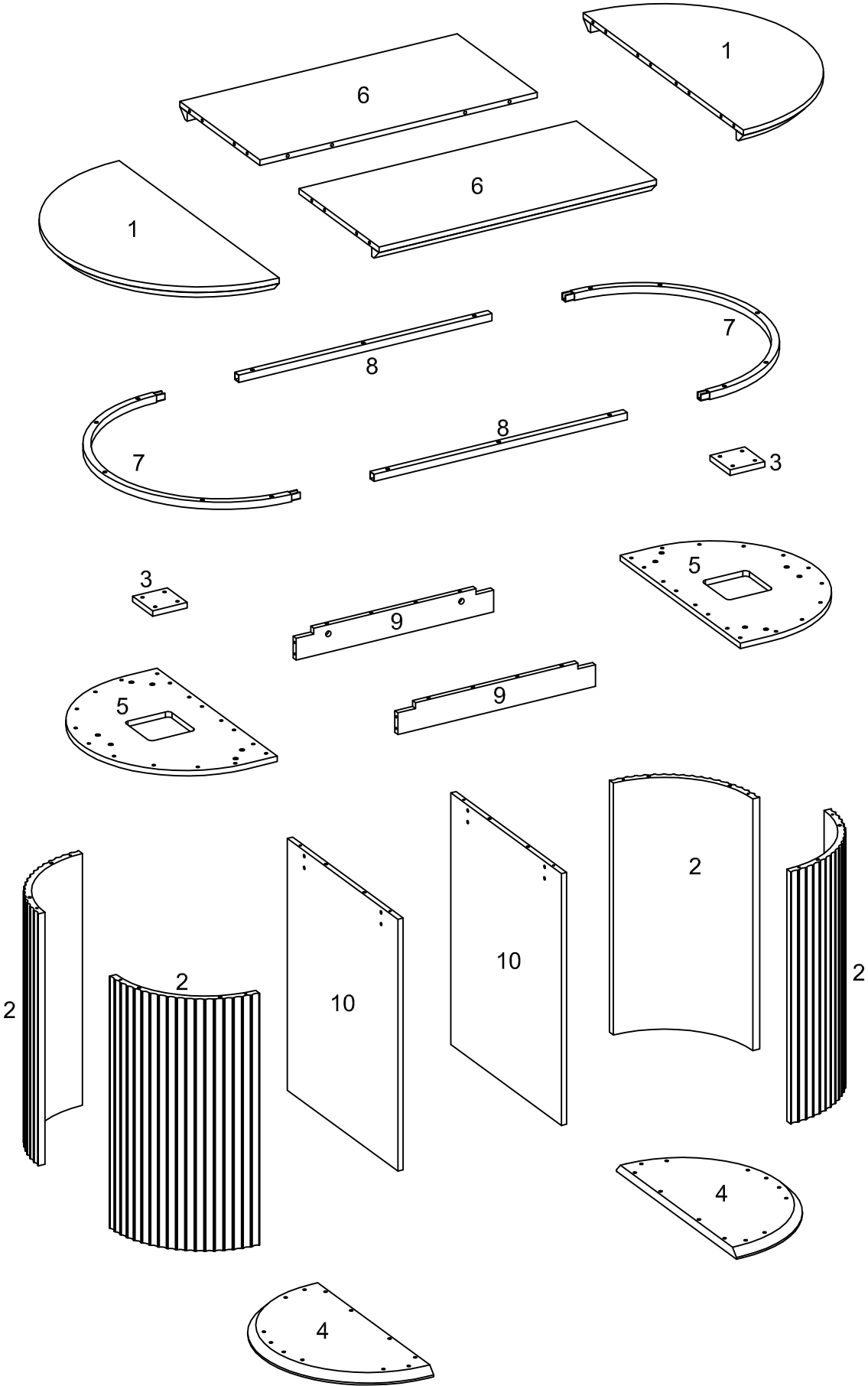
- 1.Screw the Cam Bolt into the pre-drilled hole on the panel. Make sure Cam Bolt goes into the pre-drilled hole on the end of panel for Cam Lock.
- 2.Insert the Cam Lock into the pre-drilled large hole on the panel. Make sure the arrow on the face of Cam Lock points towards Cam Bolt.
- 3.Take a Phillips screwdriver and rotate the Cam Lock clockwise to lock the Cam Bolt.
- 4.Use the sticker to conceal the Cam.




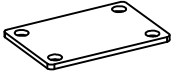

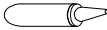

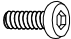
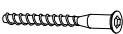



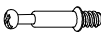



- VII. Power tools should not be used to assemble this product .

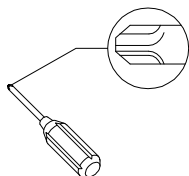


Parts List



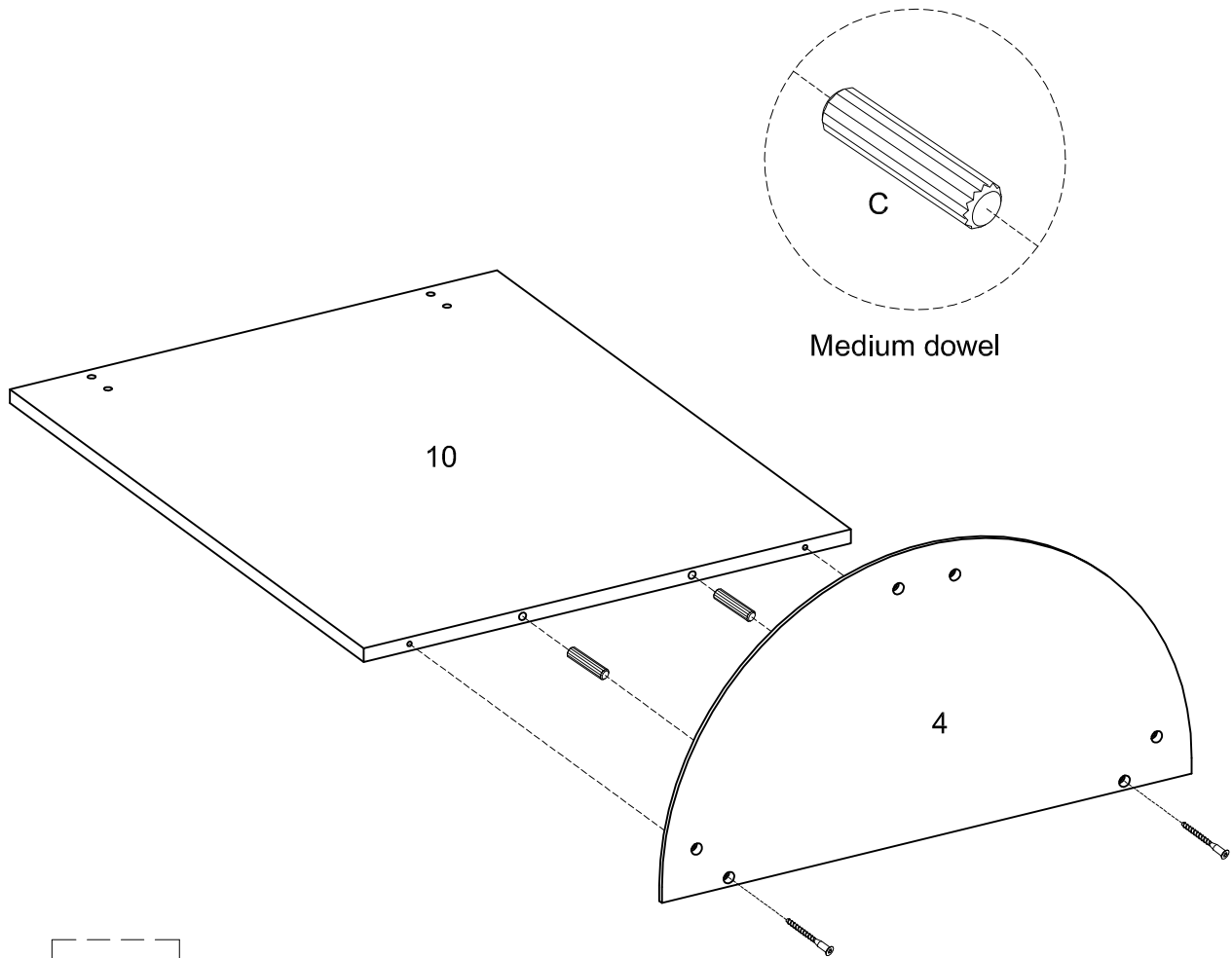
Hardware List

A		Ø8x40mm	Large Dowel	20 pcs
B		80x54x3mm	Metal plate	2 pcs
C		Ø8x30mm	Medium Dowel	24 pcs
D			Glue	2 pcs
E		Ø6x20mm	Small Dowel	20 pcs
F		Ø1/4"x13mm	Bolt	12 pcs
G		Ø6x50mm	Screw	32 pcs
H		M 4	Allen Wrench	2 pcs
J		Ø16x1.5mm	Flat Washer	42 pcs
K		Ø1/4"x25mm	Bolt	26 pcs
L		Ø6x35mm	Cam Bolt	4 pcs
M		Ø15x11mm	Cam Lock	4 pcs
N		Ø30mm	Cam Lover	4 pcs
P		Ø1/4"x30mm	Bolt	16 pcs



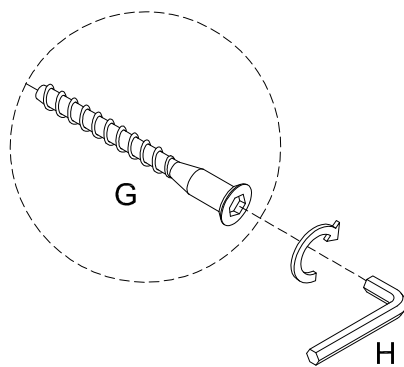
Philips head screwdriver required for assembly
(not included)

Step 1

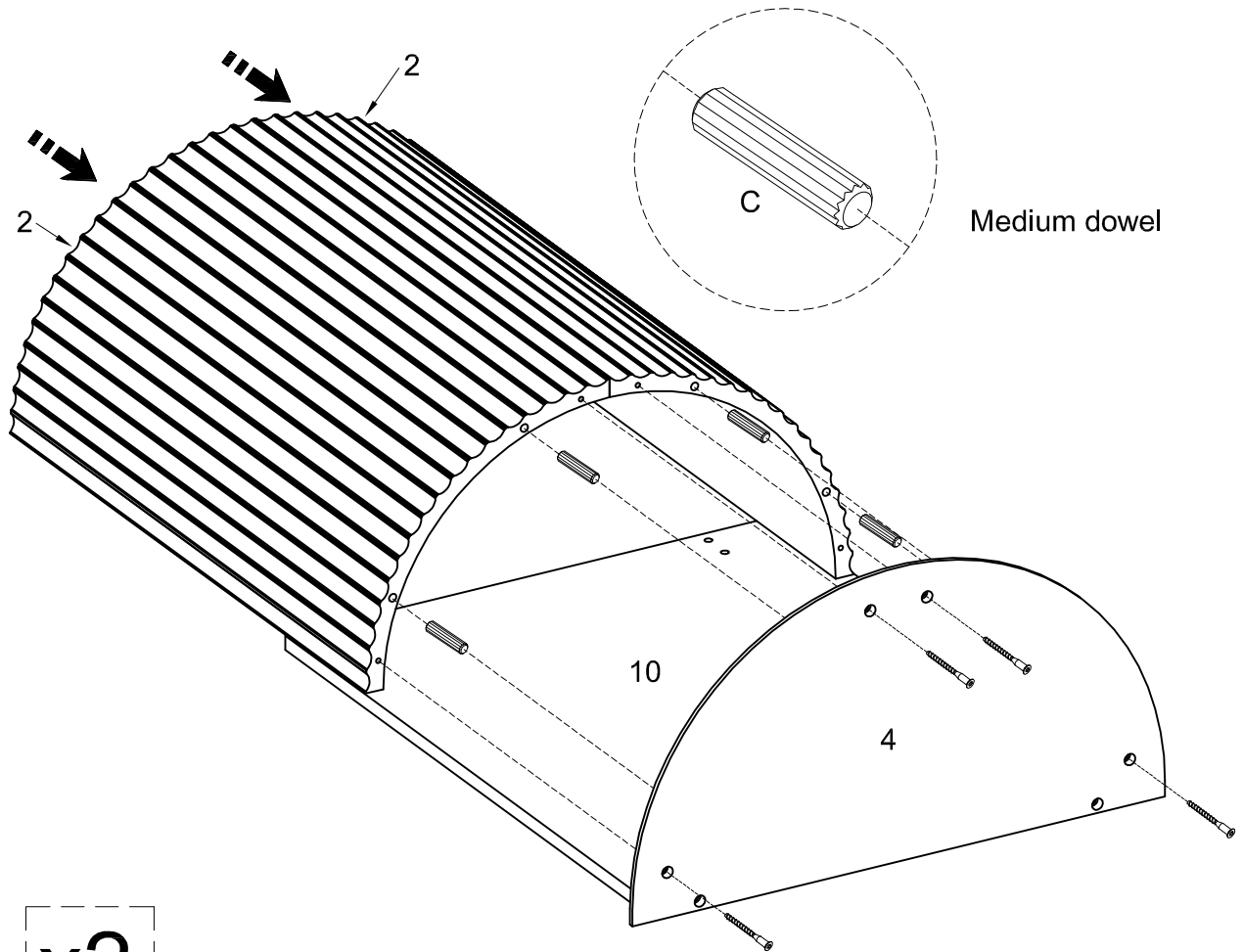


Medium dowel

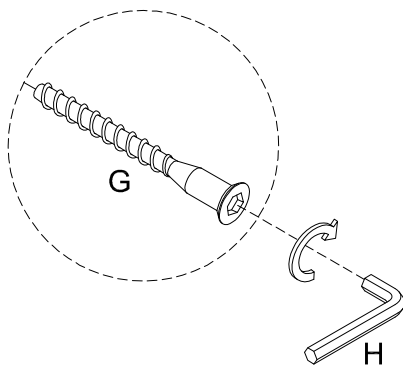
x2



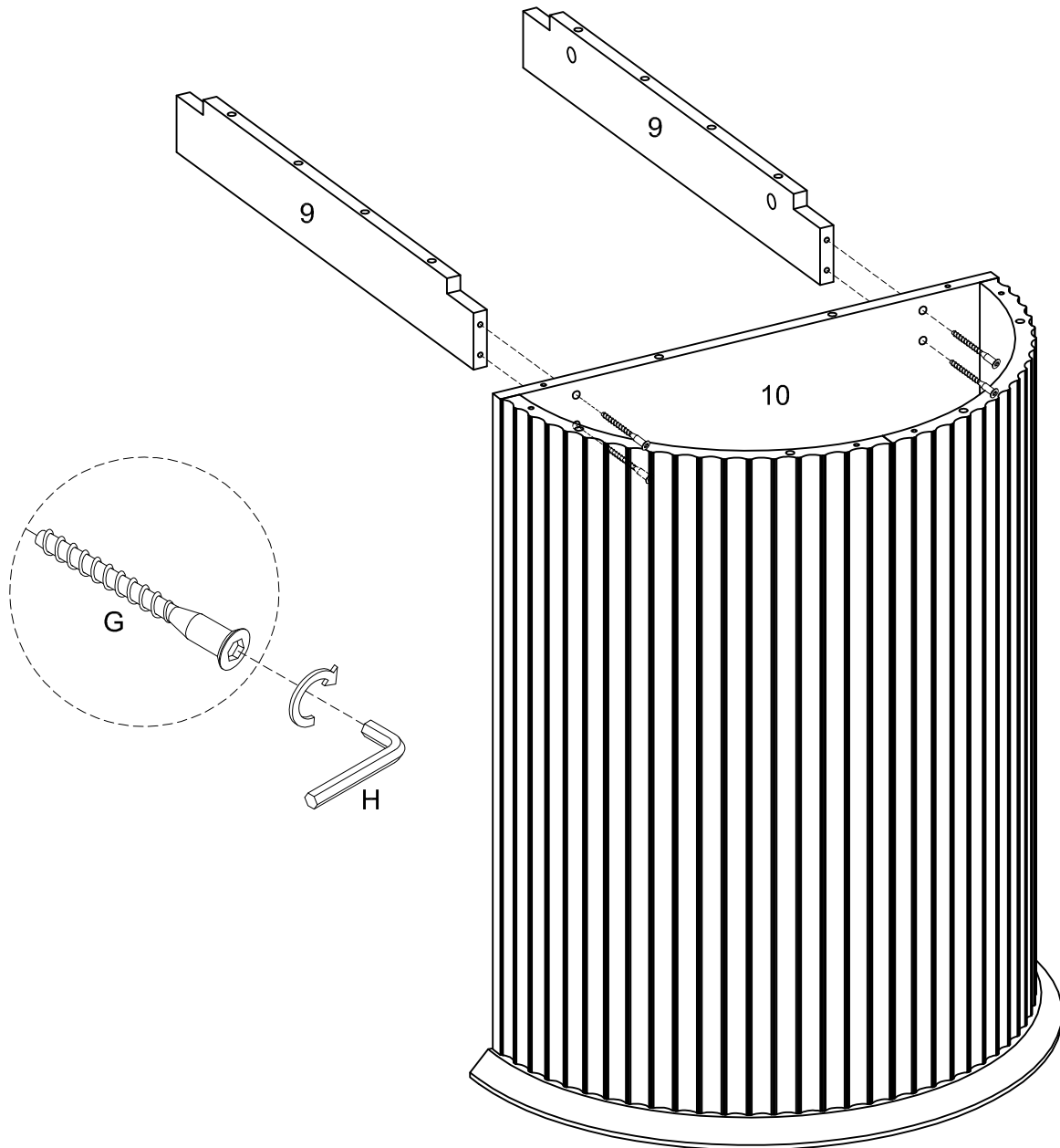
Step 2



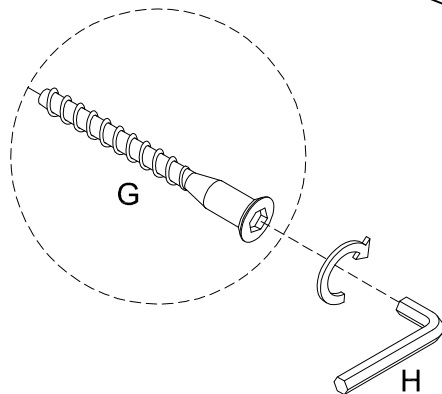
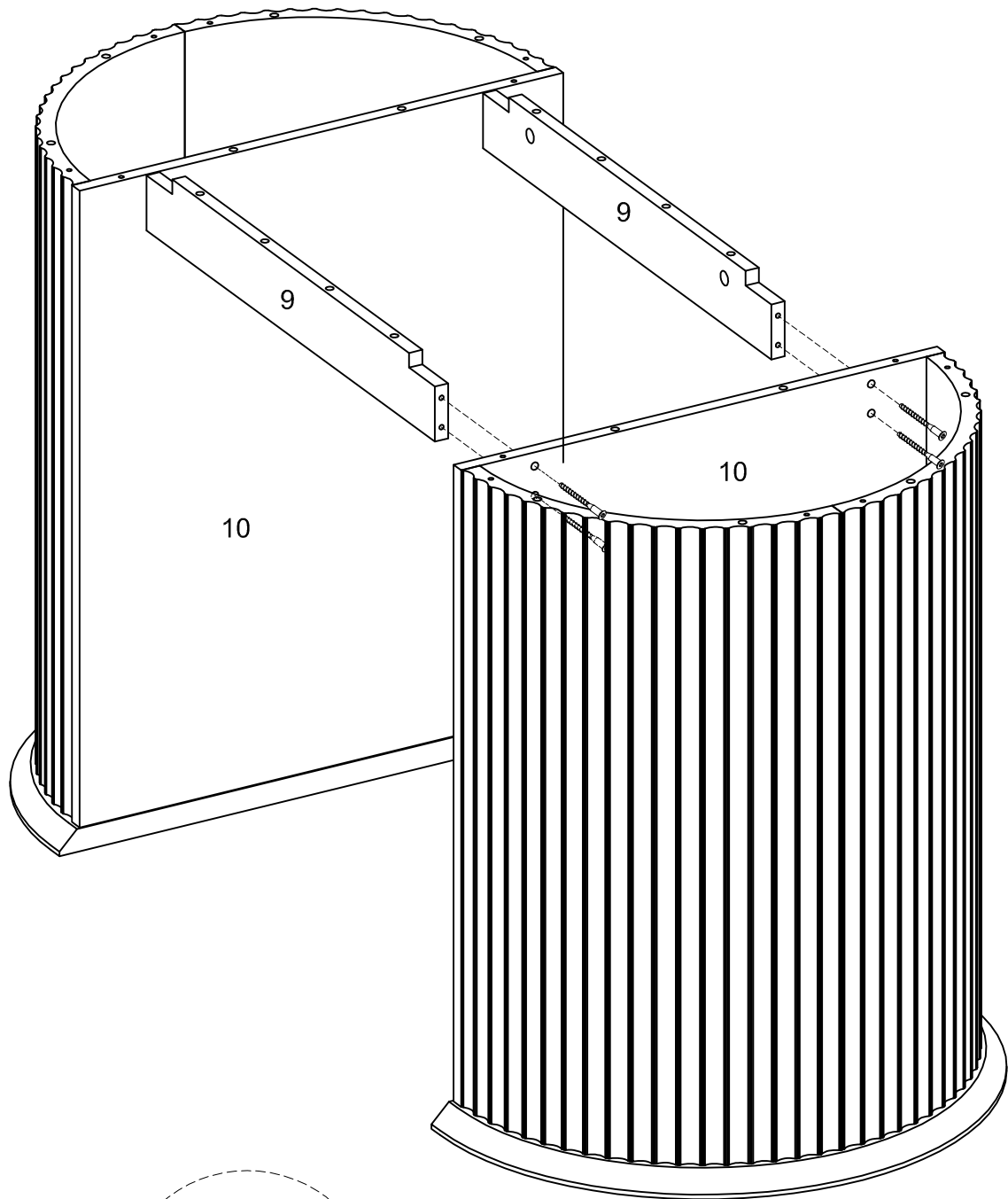
x2



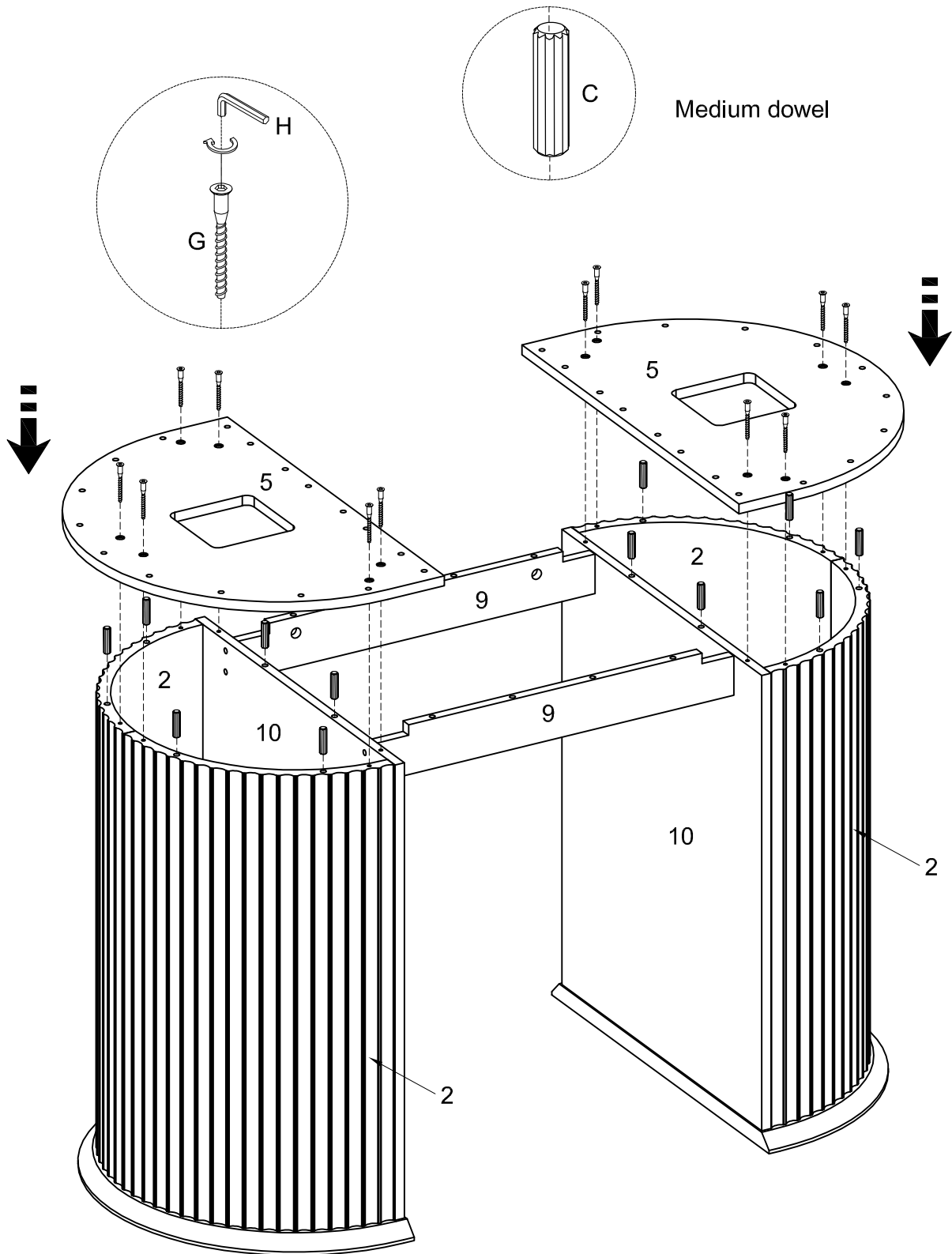
Step 3



Step 4

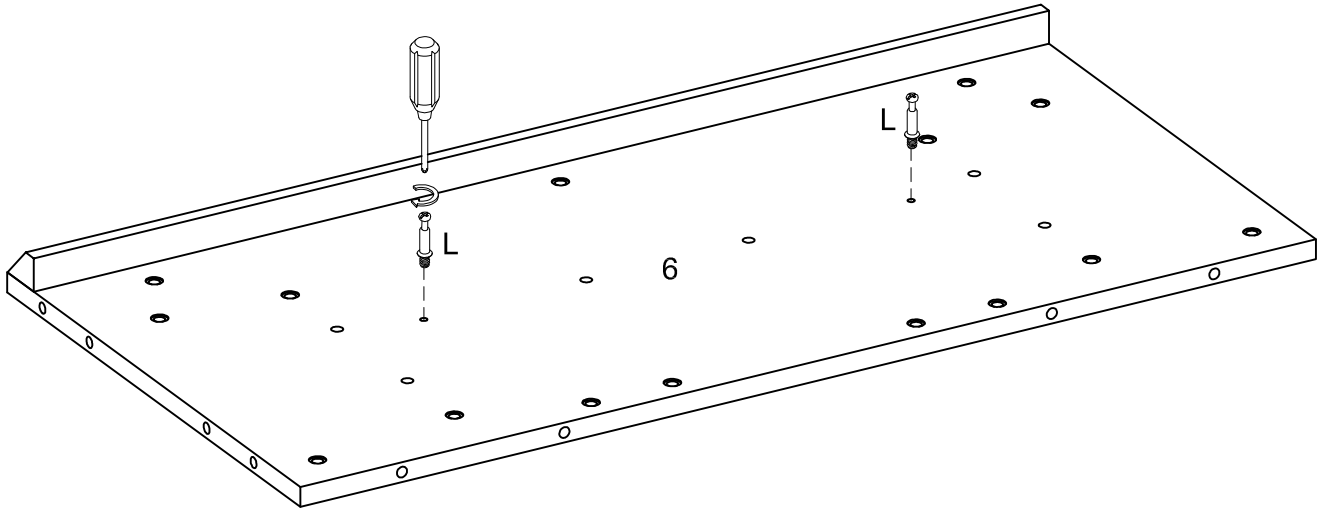


Step 5

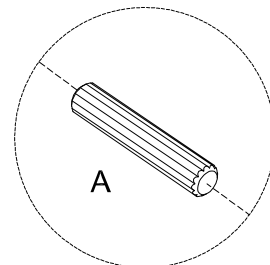


Step 6

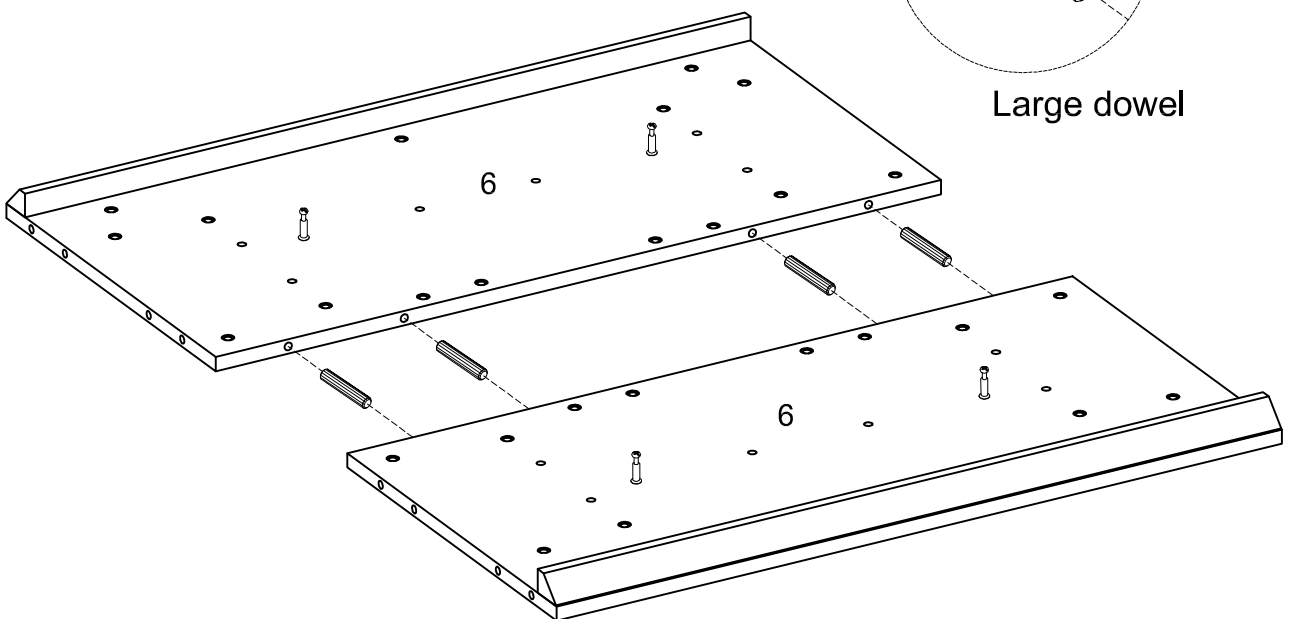
x2



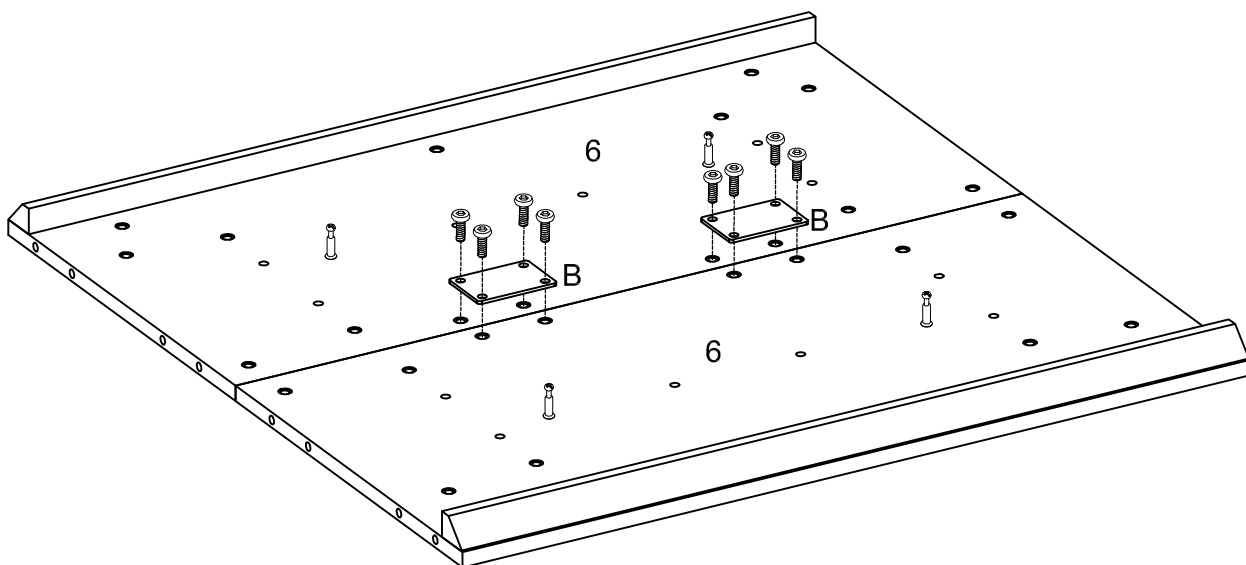
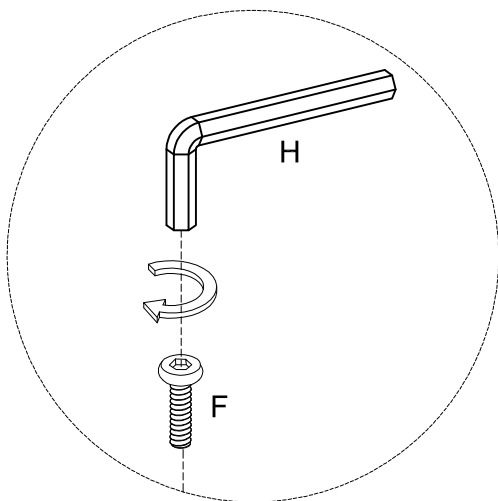
Step 7



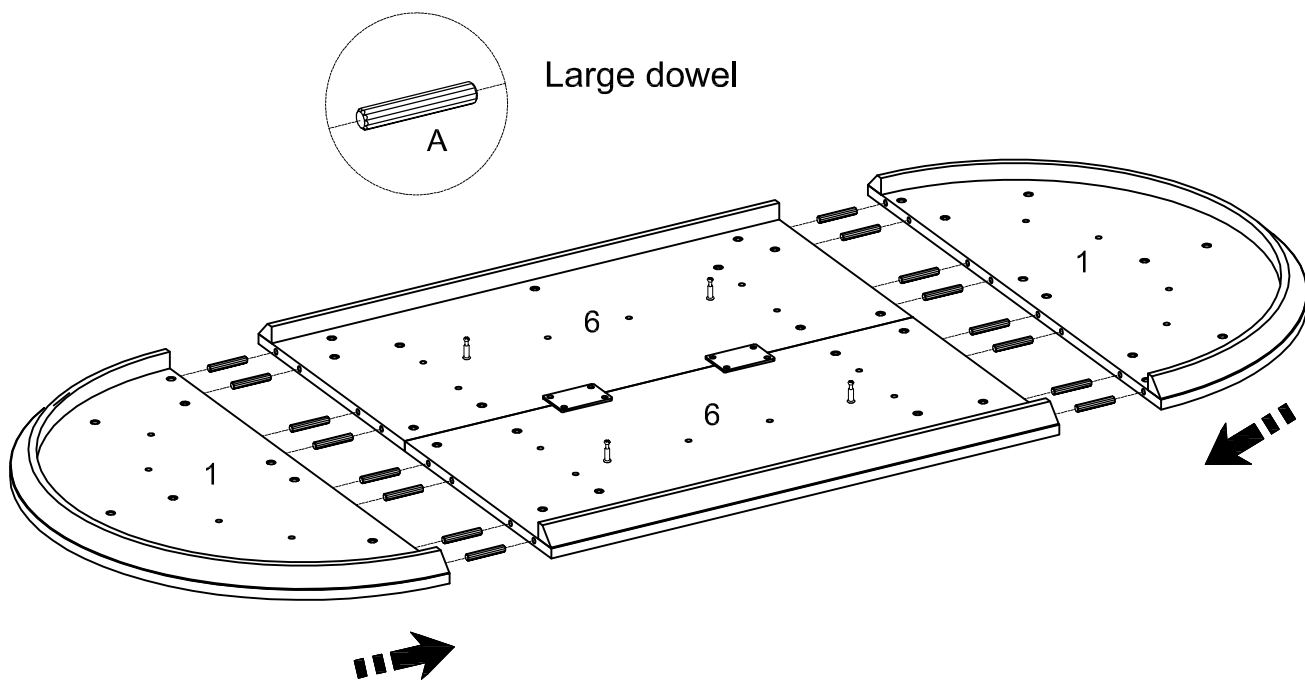
Large dowel



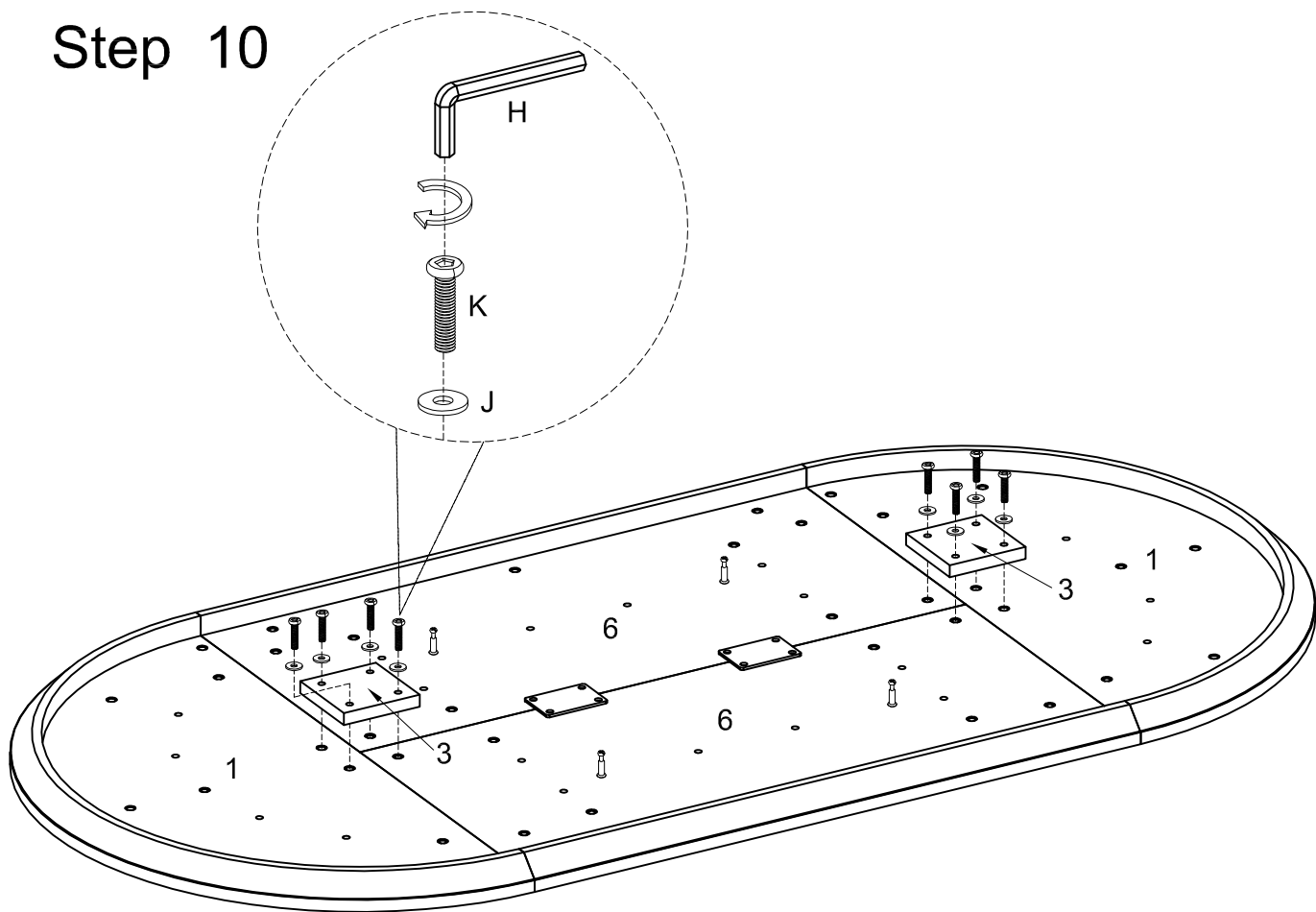
Step 8



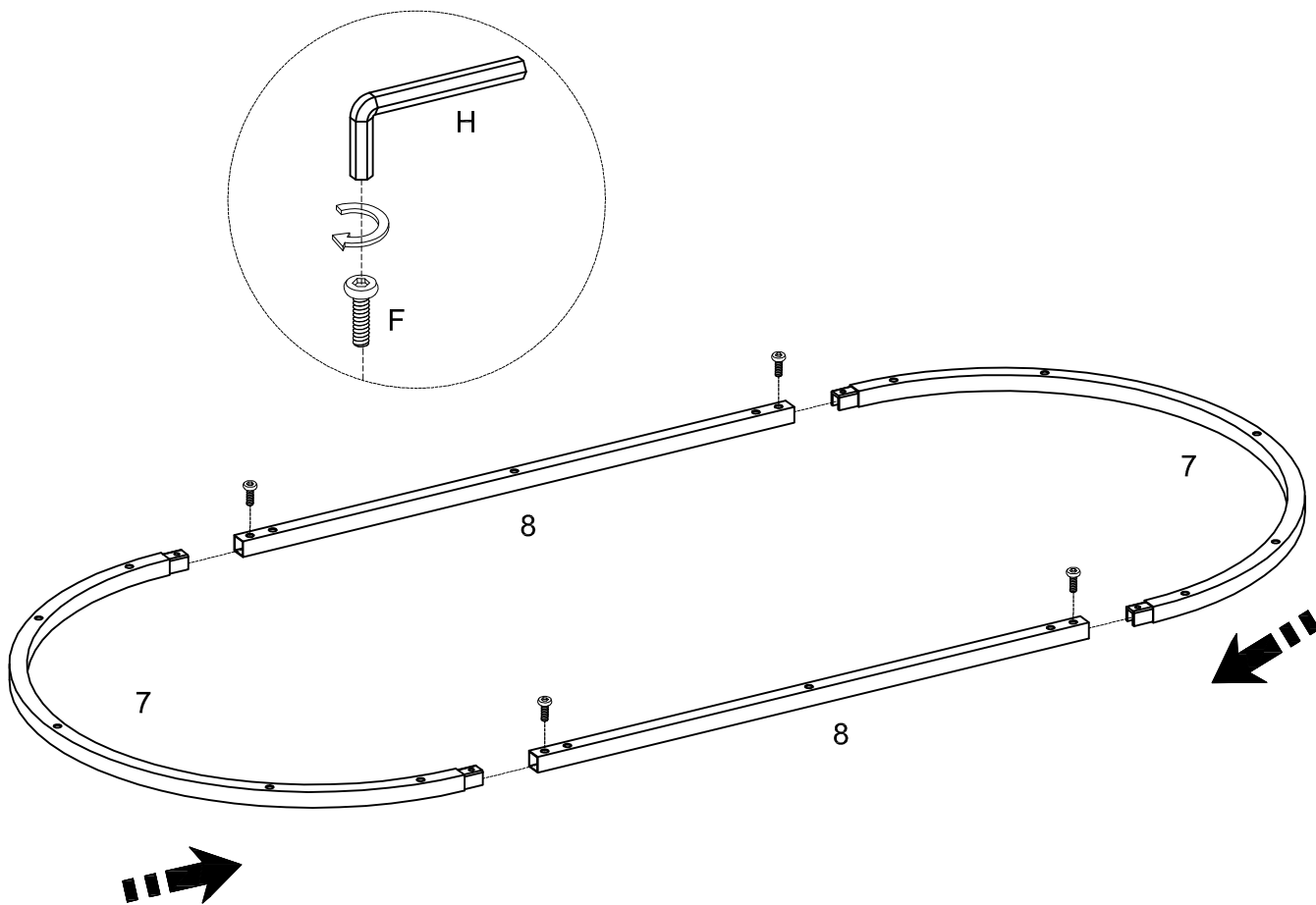
Step 9



Step 10

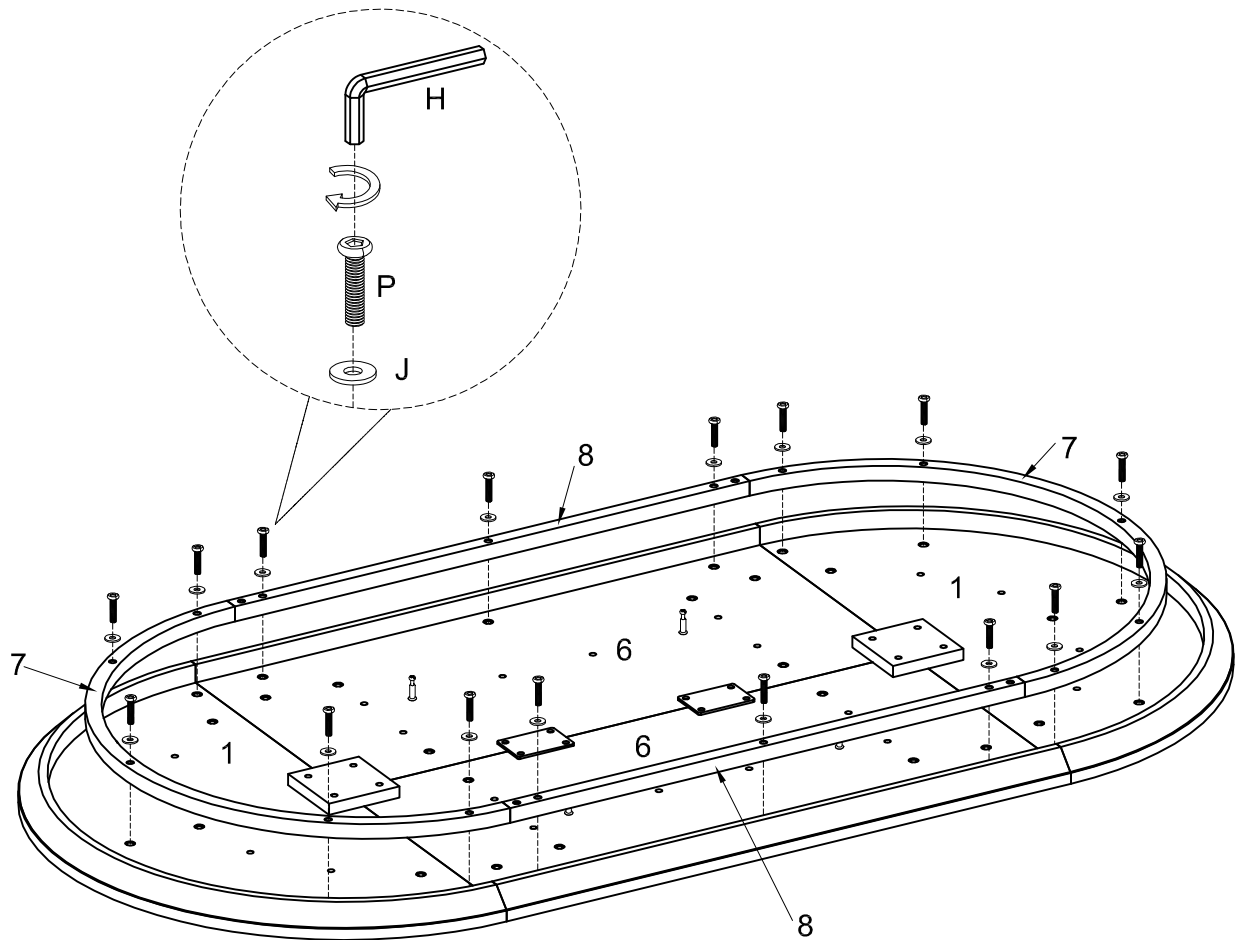


Step 11



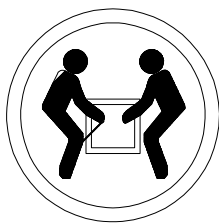
Note: Do not over tighten the bolts F.

Step 12

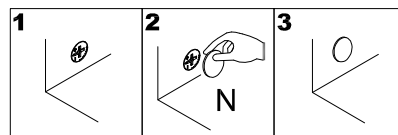
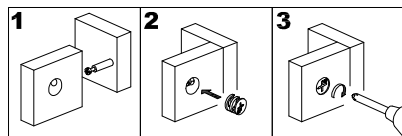
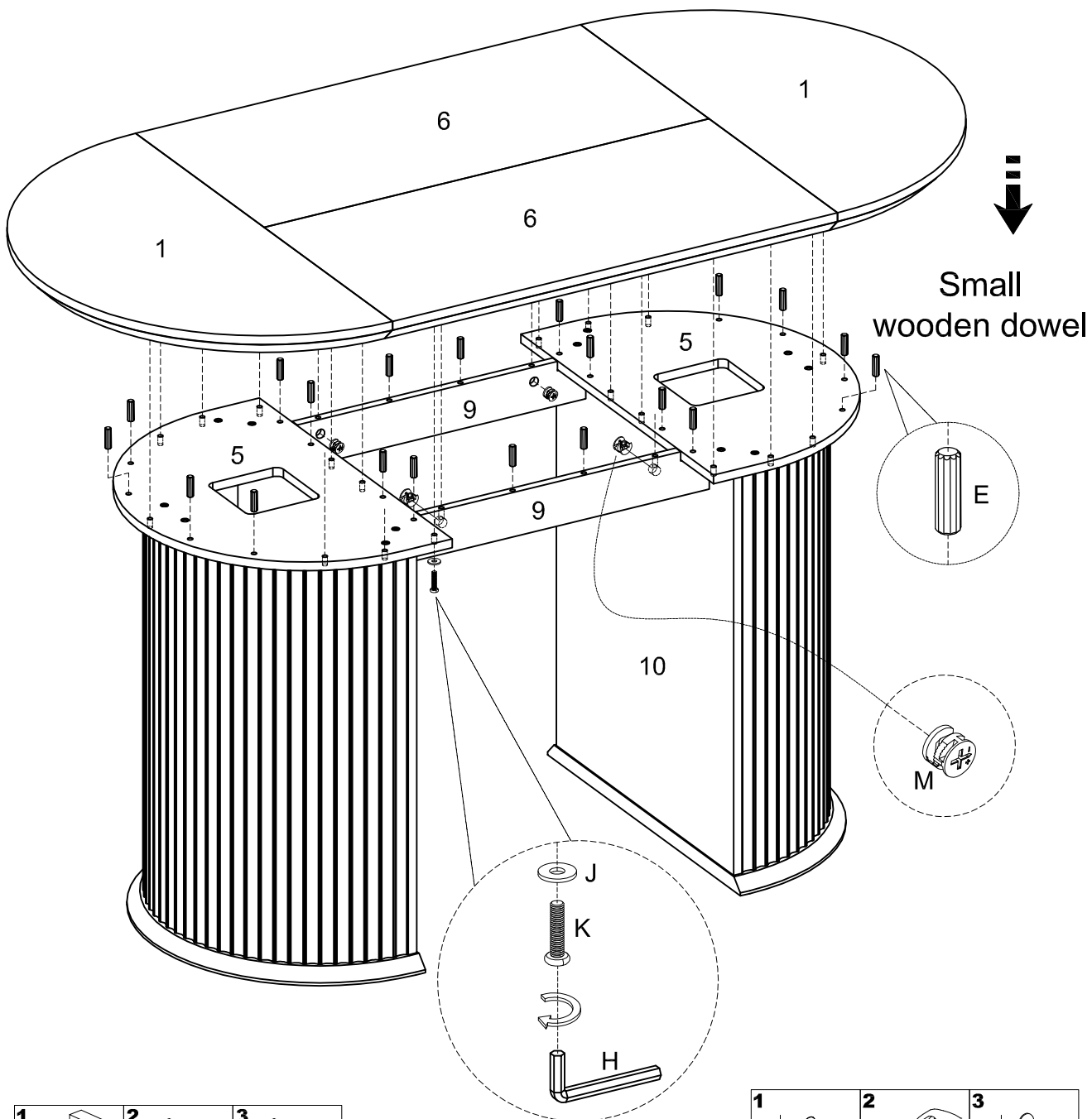


Note: Make sure all those threaded holes on the Top panel 1&6 align with all those through holes on the metal frame (Part 7 &8) before fastening all those bolts.

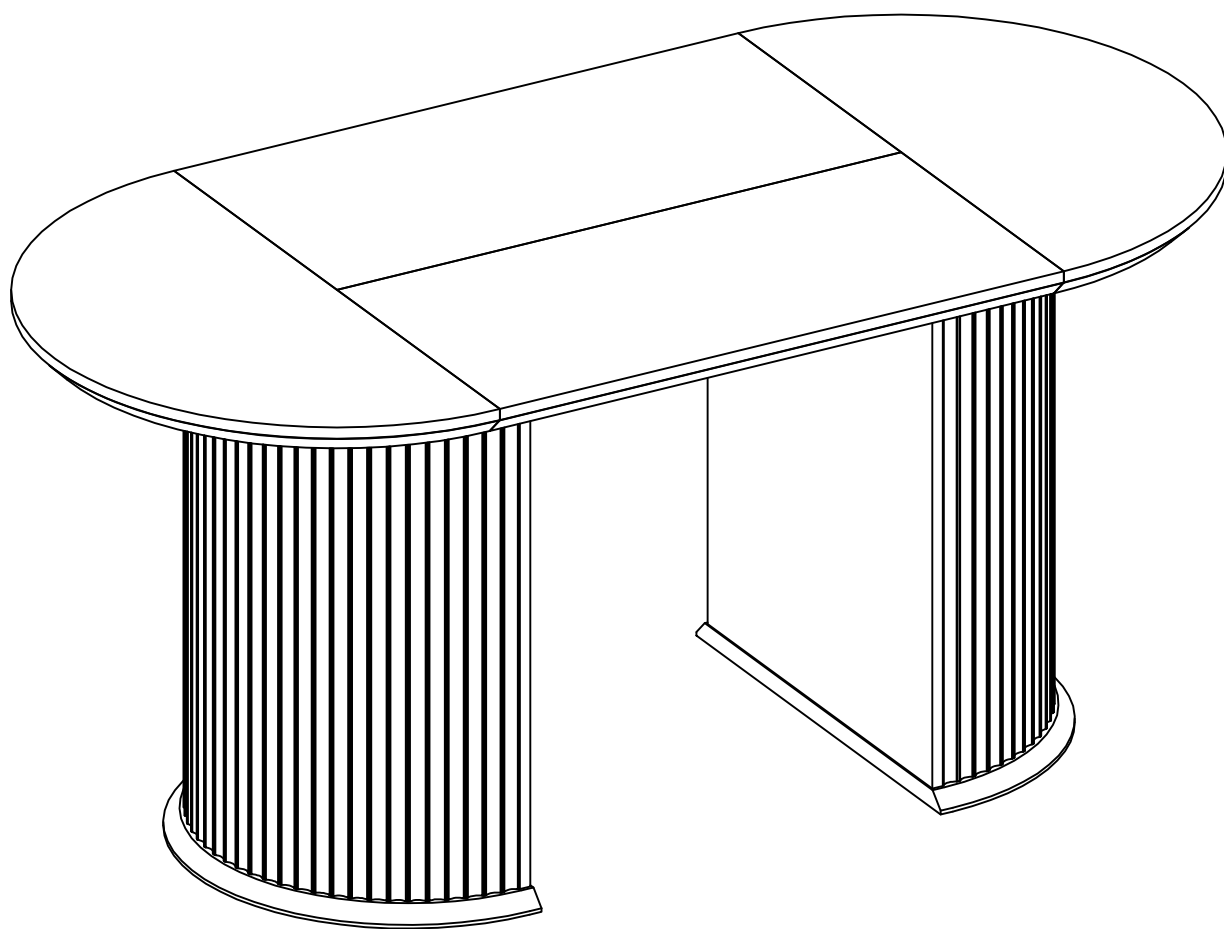
Step 13



CAUTION: Heavy! You may need assistance with this step.



Step 14



Final Assembly