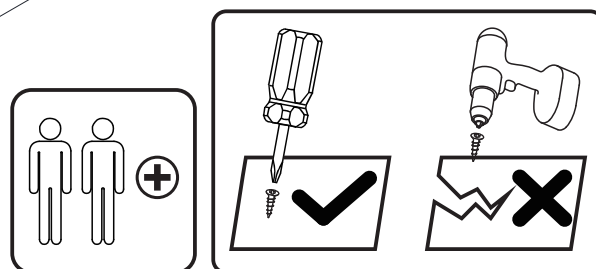


ASSEMBLY INSTRUCTIONS

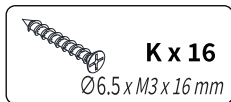
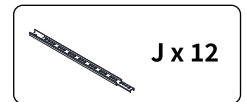
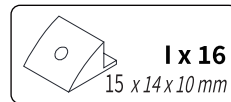
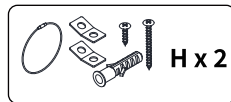
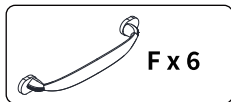
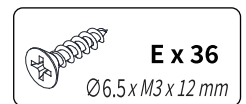
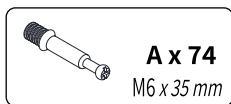
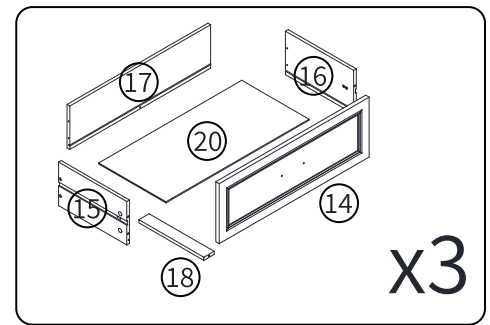
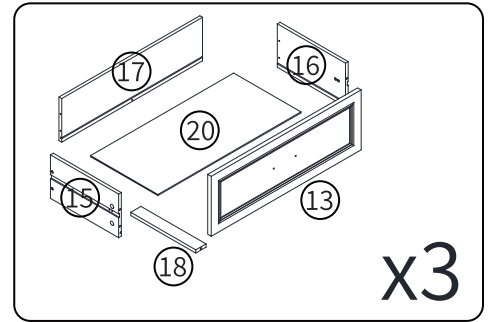
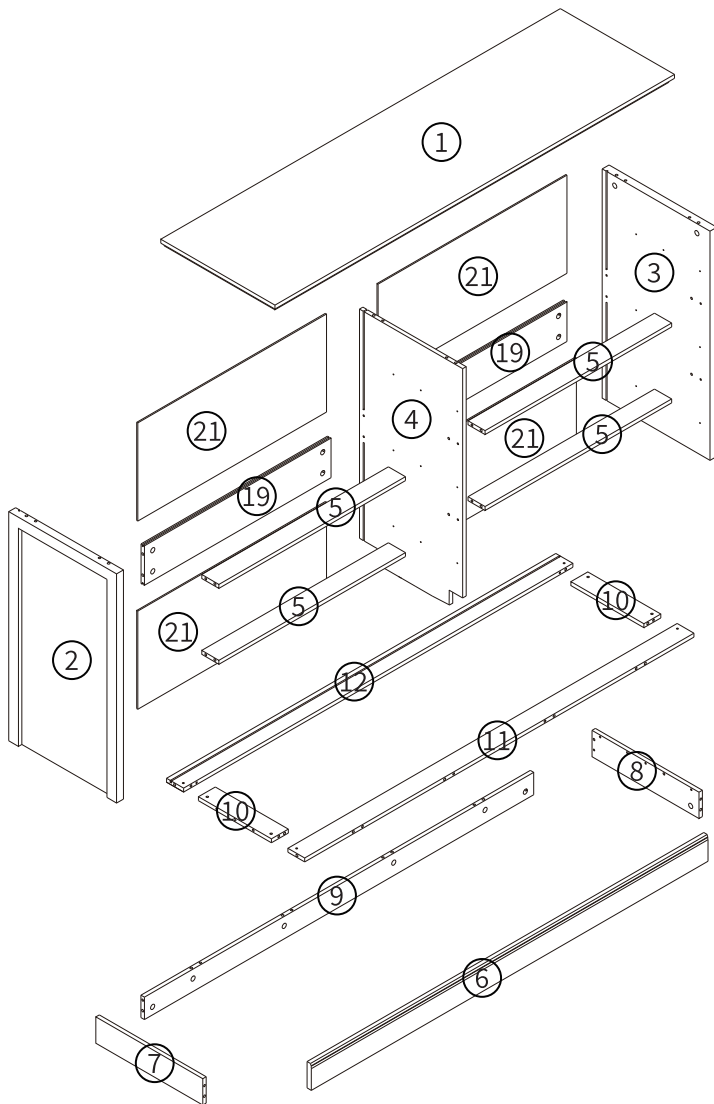
Customer Service : cs@nbrehome.com



Tools Recommended

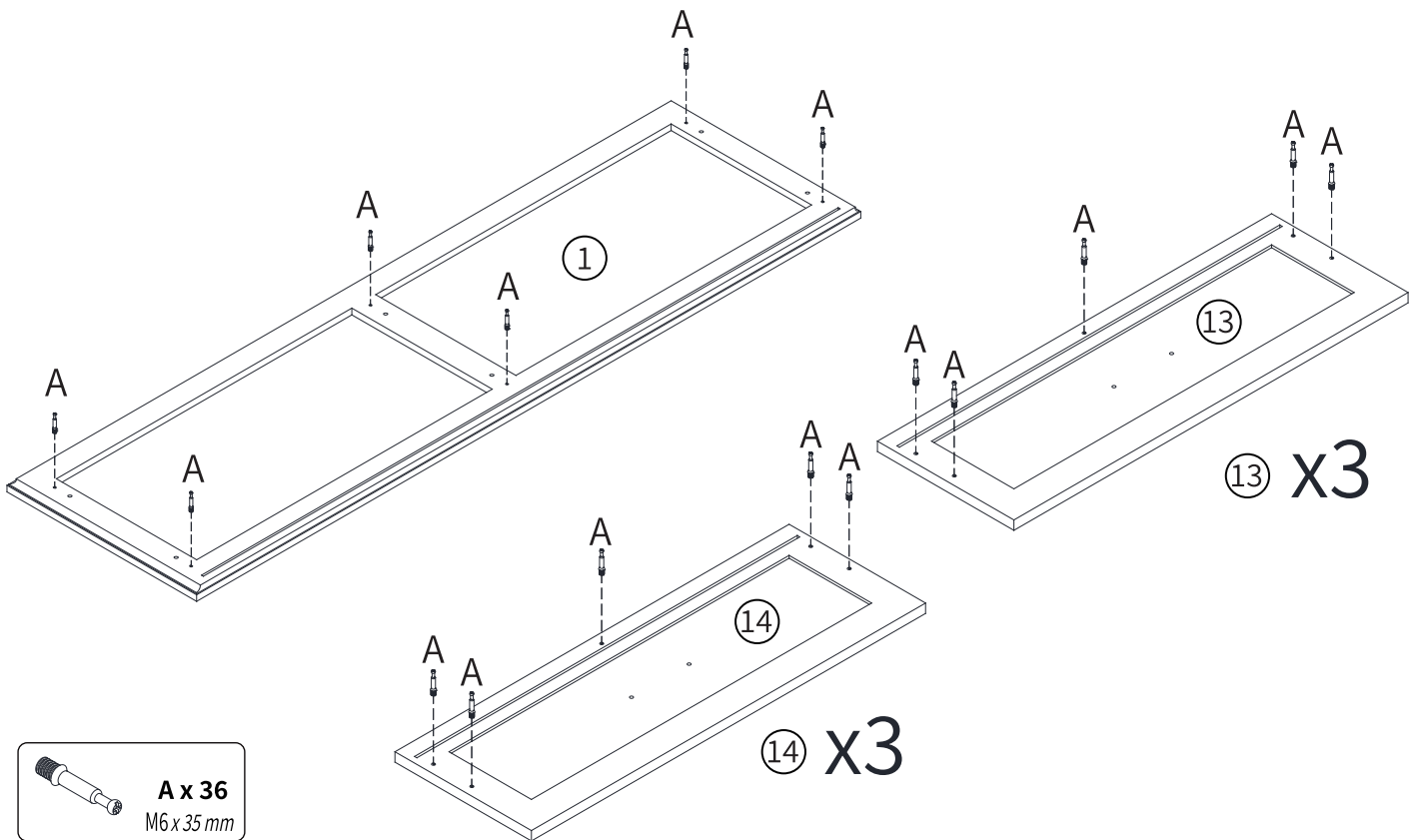
THIS INSTRUCTIONS CONTAINS IMPORTANT SAFETY INFORMATION.
PLEASE READ BEFORE ASSEMBLY AND KEEP FOR FUTURE REFERENCE.

Need Parts or Assistance? Email us : cs@nbrehome.com



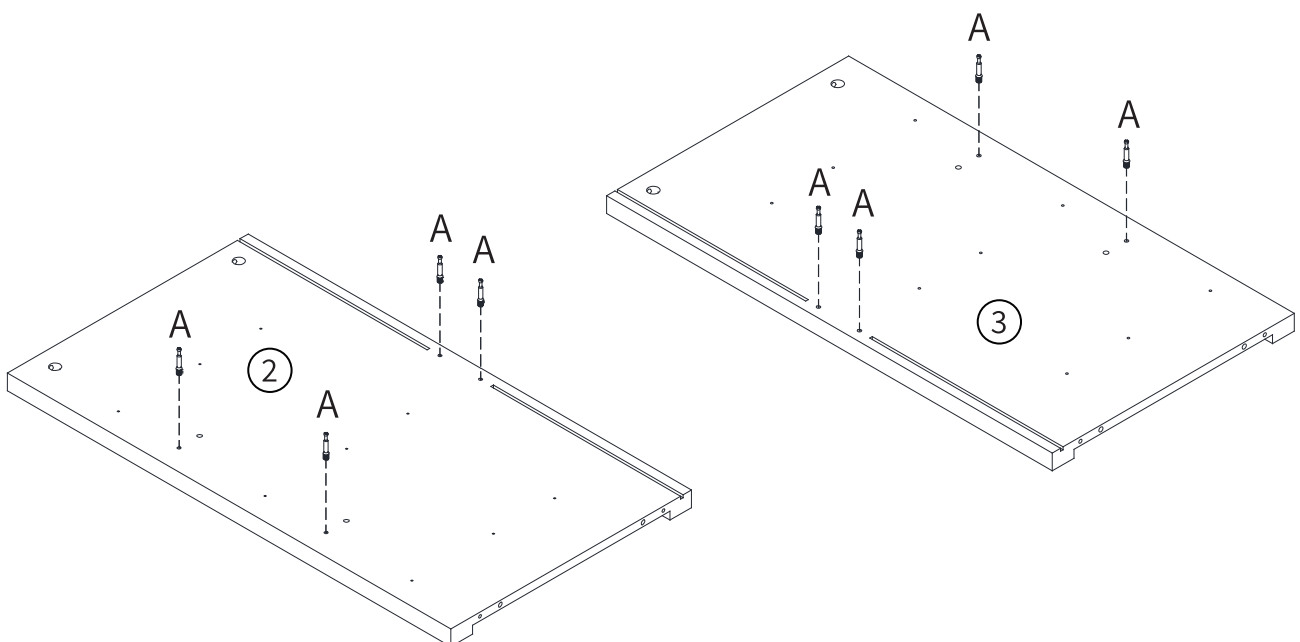
Step 1

Insert quickfit screws(A) into corresponding holes in part ① ⑬ ⑭ as shown.



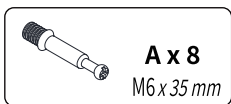
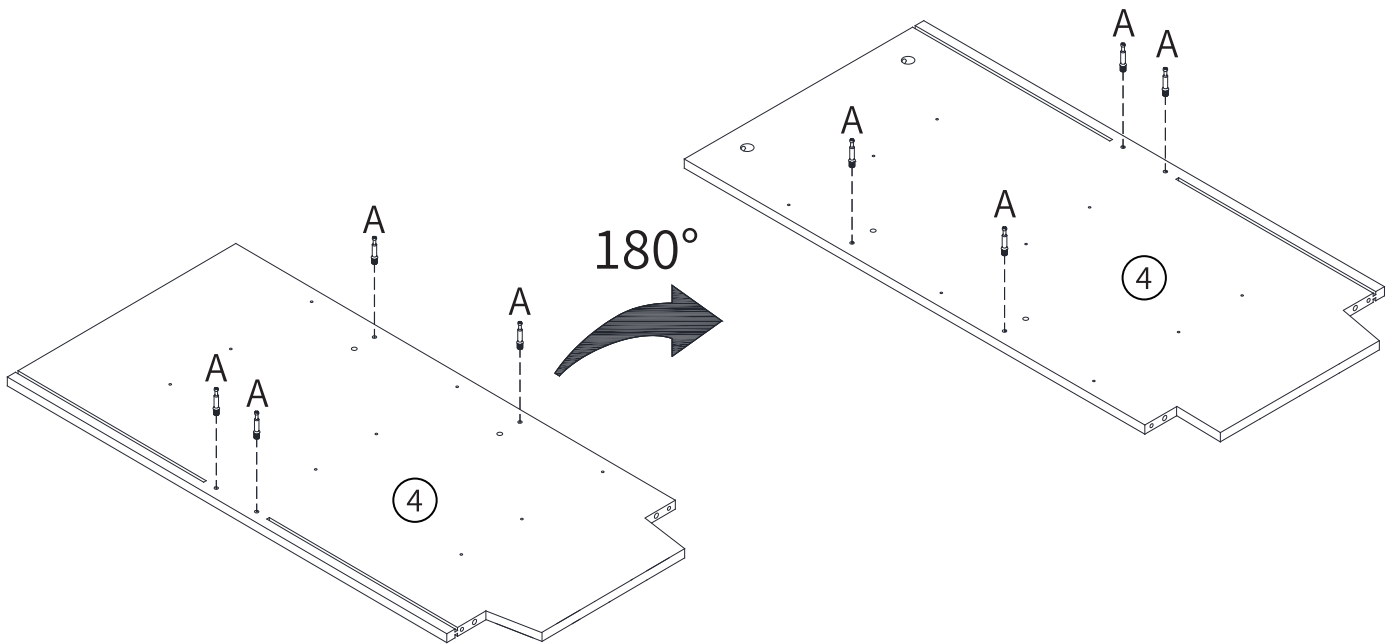
Step 2

Insert quickfit screws(A) into corresponding holes in part ② ③ as shown.



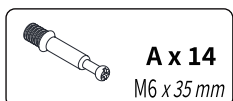
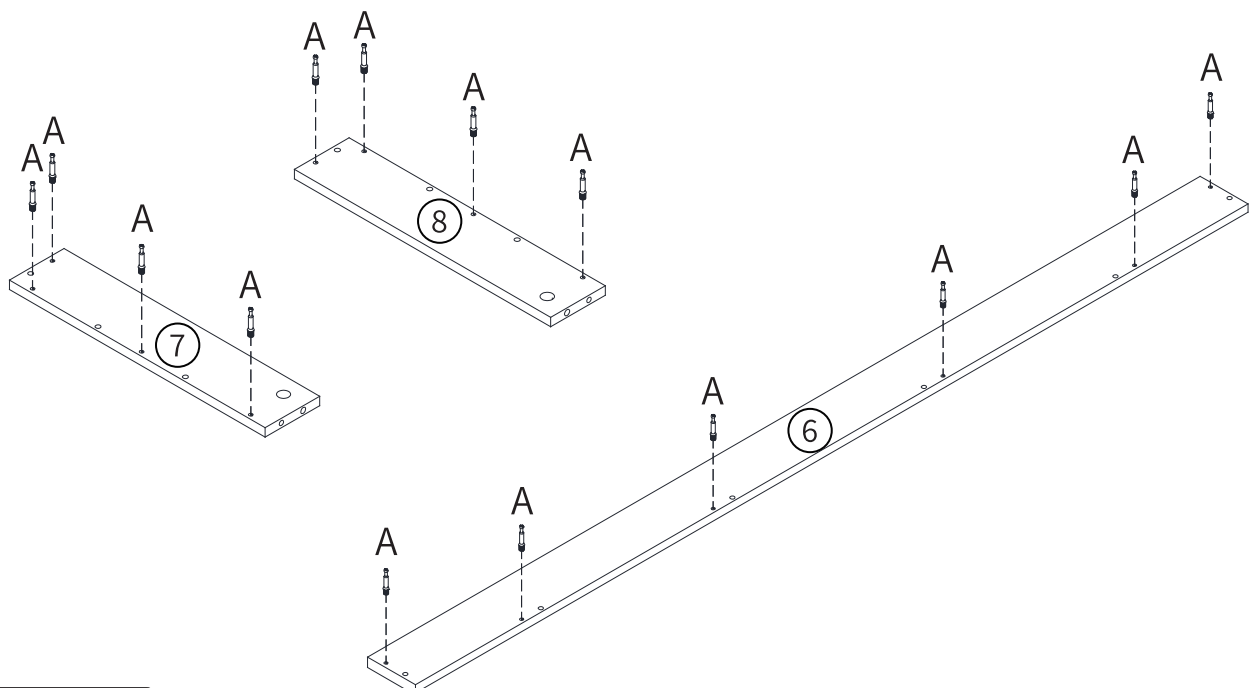
Step 3

Insert quickfit screws(A) into corresponding holes in part ④ as shown.



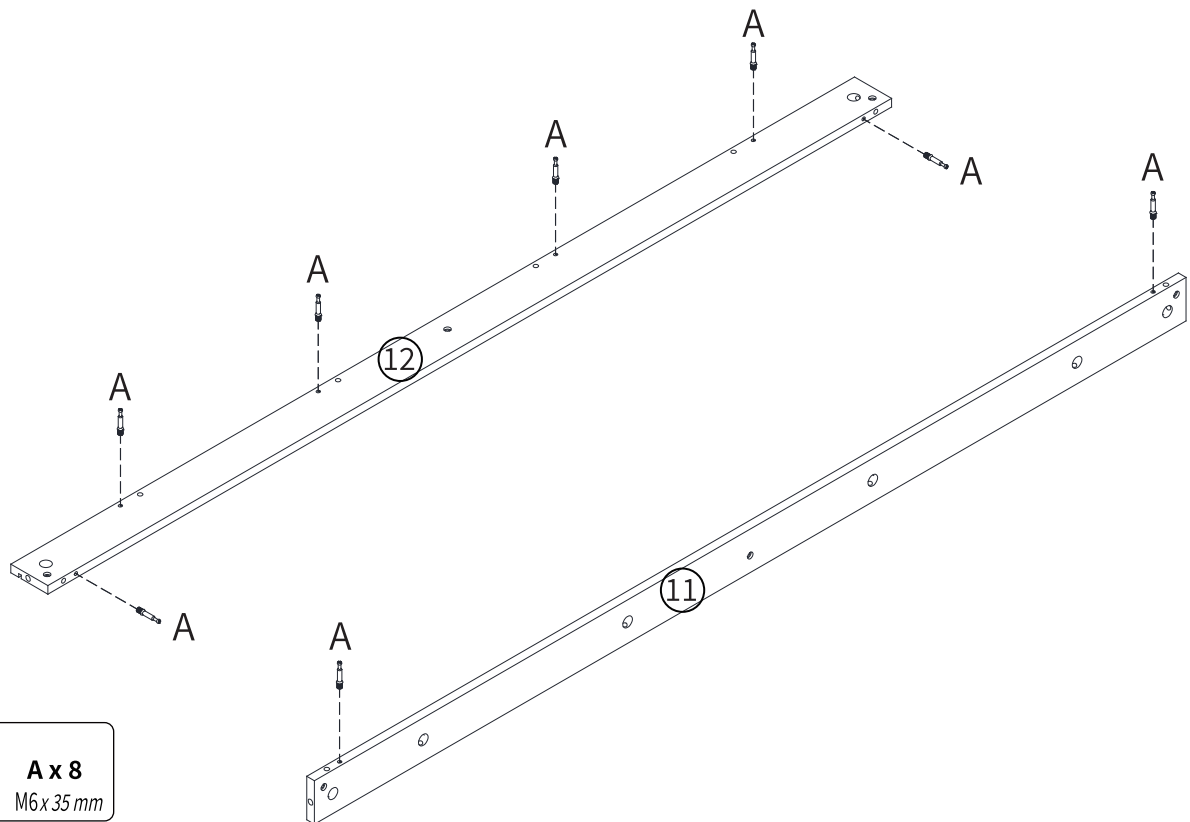
Step 4

Insert quickfit screws(A) into corresponding holes in part ⑥ ⑦ ⑧ as shown.



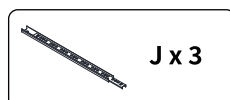
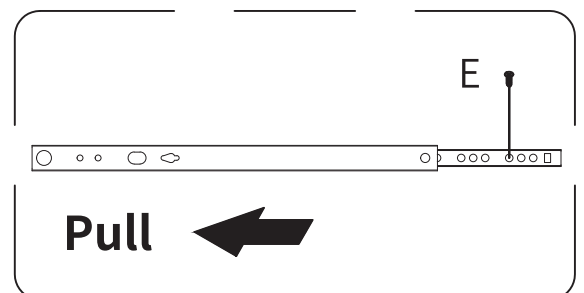
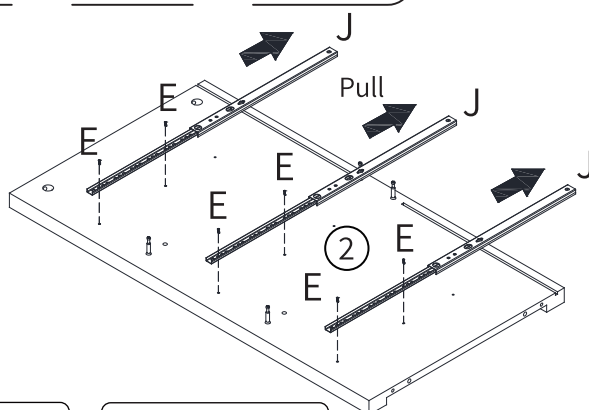
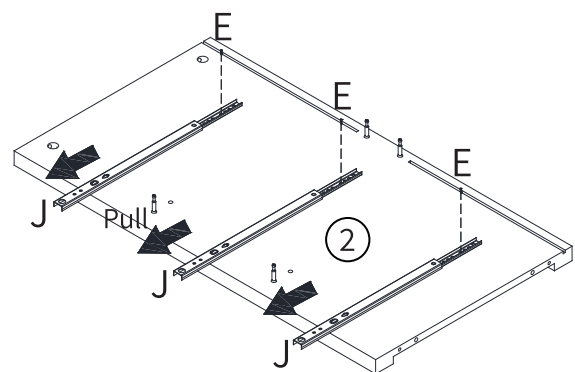
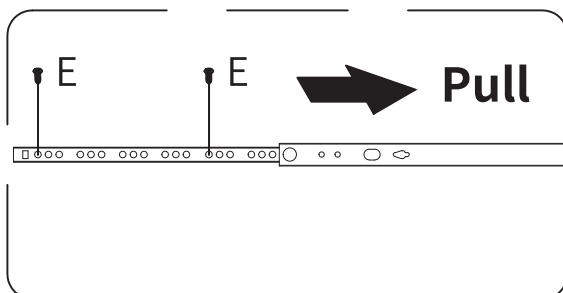
Step 5

Insert quickfit screws(A) into corresponding holes in part ⑪ ⑫ as shown.



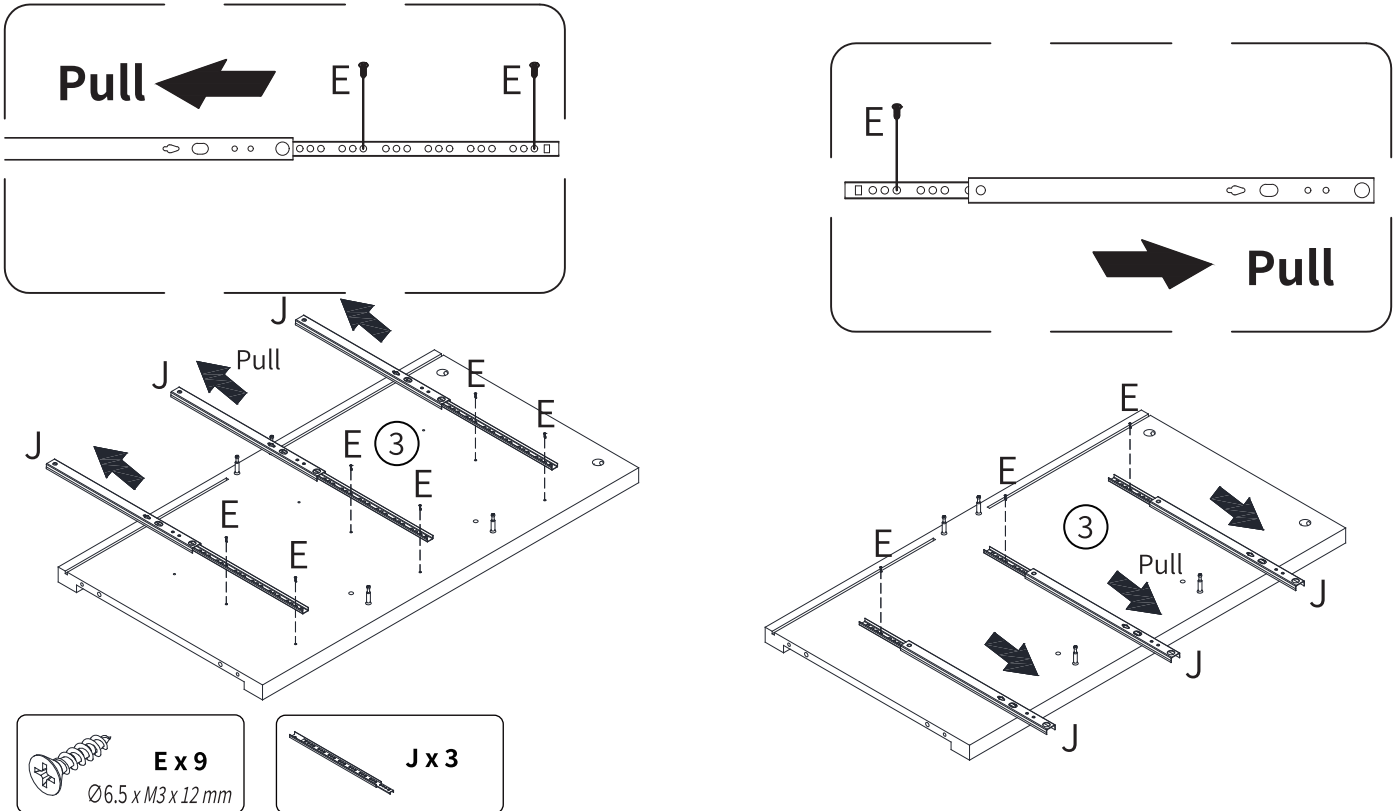
Step 6

First, align the sliding-rail (J) with the pre-drilled holes on part ②, make sure the arrow on the sliding-rail points in the pulling direction, and then fix it with the two screws (E). Then pull the sliding-rail in the opposite direction and fix it with a screw (E). The diagram is shown as followed.



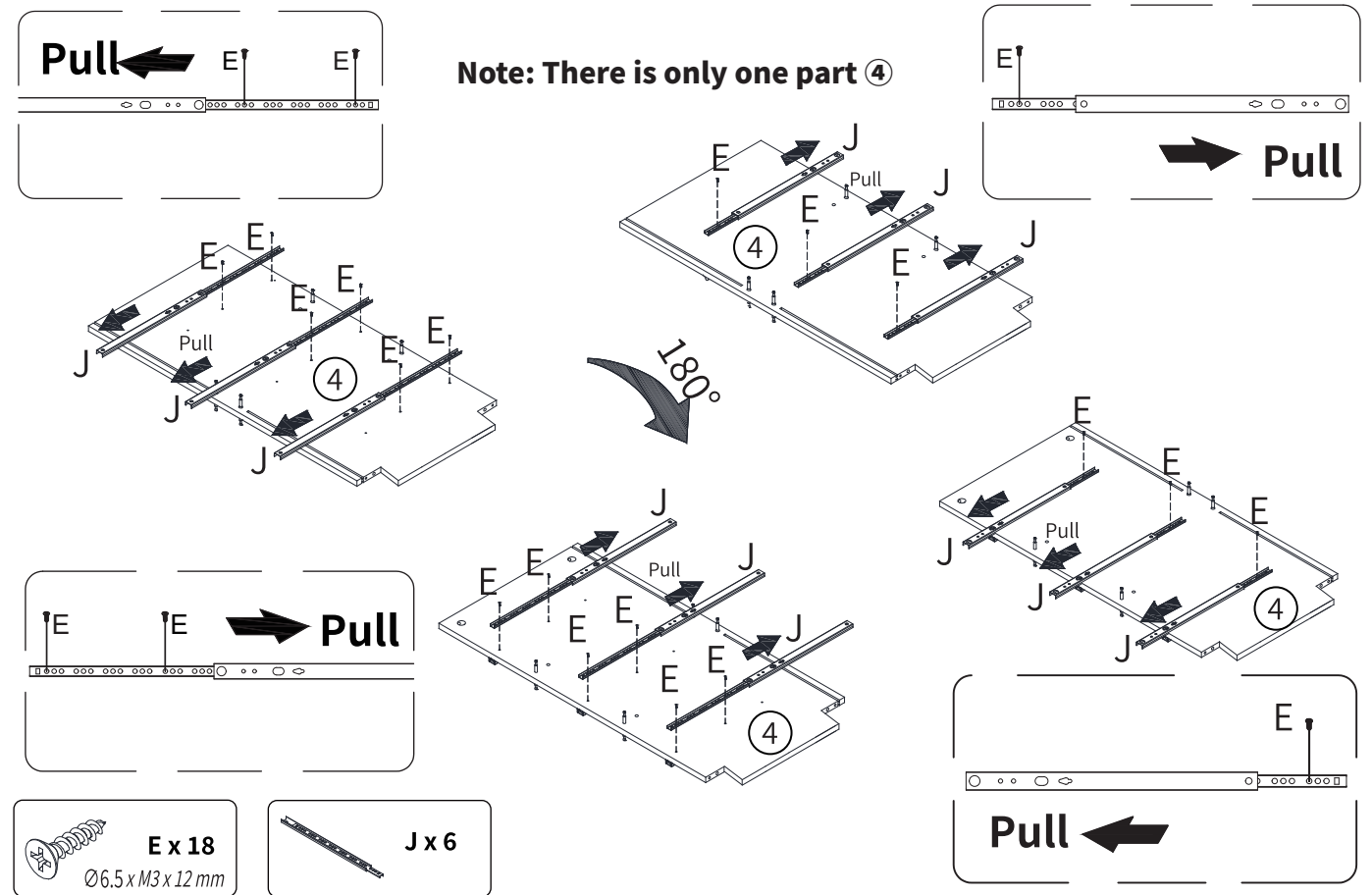
Step 7

First, align the sliding-rail (J) with the pre-drilled holes on part ③, make sure the arrow on the sliding-rail points in the pulling direction, and then fix it with the two screws (E).
Then pull the sliding-rail in the opposite direction and fix it with a screw (E).
The diagram is shown as followed.



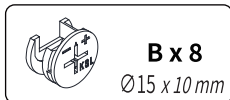
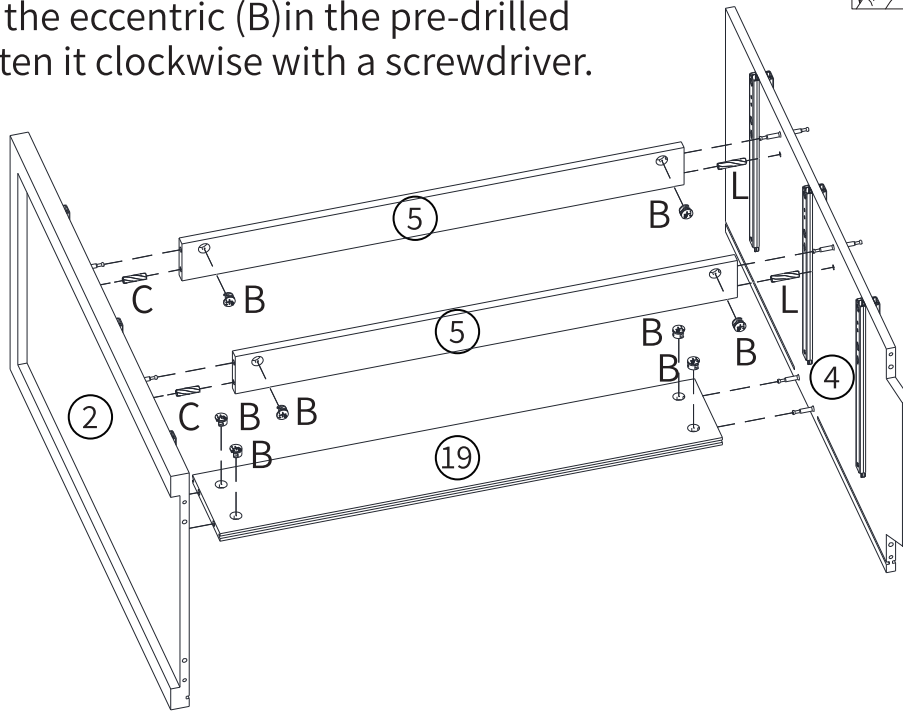
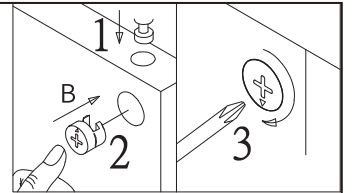
Step 8

Lock the guide rail (J) to part ④ with screws (E) as shown
Turn part ④ 180 degrees as shown and repeat the above operation.



Step 9

Insert the wooden peg (C) into part ② and the wooden peg (L) into part ④. connect part ②, ④ to part ⑤, ⑱. Finally, place the eccentric (B) in the pre-drilled hole and tighten it clockwise with a screwdriver.



B x 8

Ø15 x 10 mm



C x 2

Ø6 x 30 mm

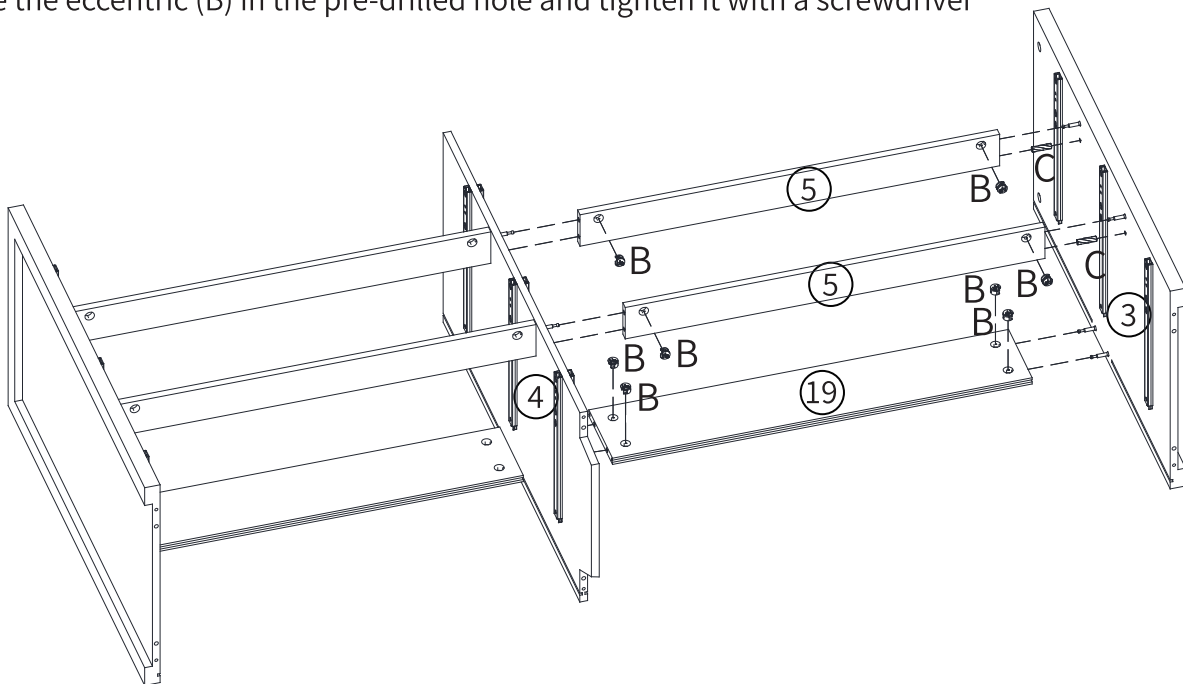
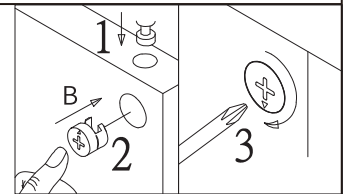


L x 2

Ø6 x 50 mm

Step 10

First, connect part ④ to part ⑤ and ⑱, place the eccentric wheel (B) in the pre-drilled hole, and tighten it clockwise with a screwdriver. Then put the wooden peg (C) in part ③ and connect part ③ to part ⑤ and ⑱. Place the eccentric (B) in the pre-drilled hole and tighten it with a screwdriver



B x 8

Ø15 x 10 mm

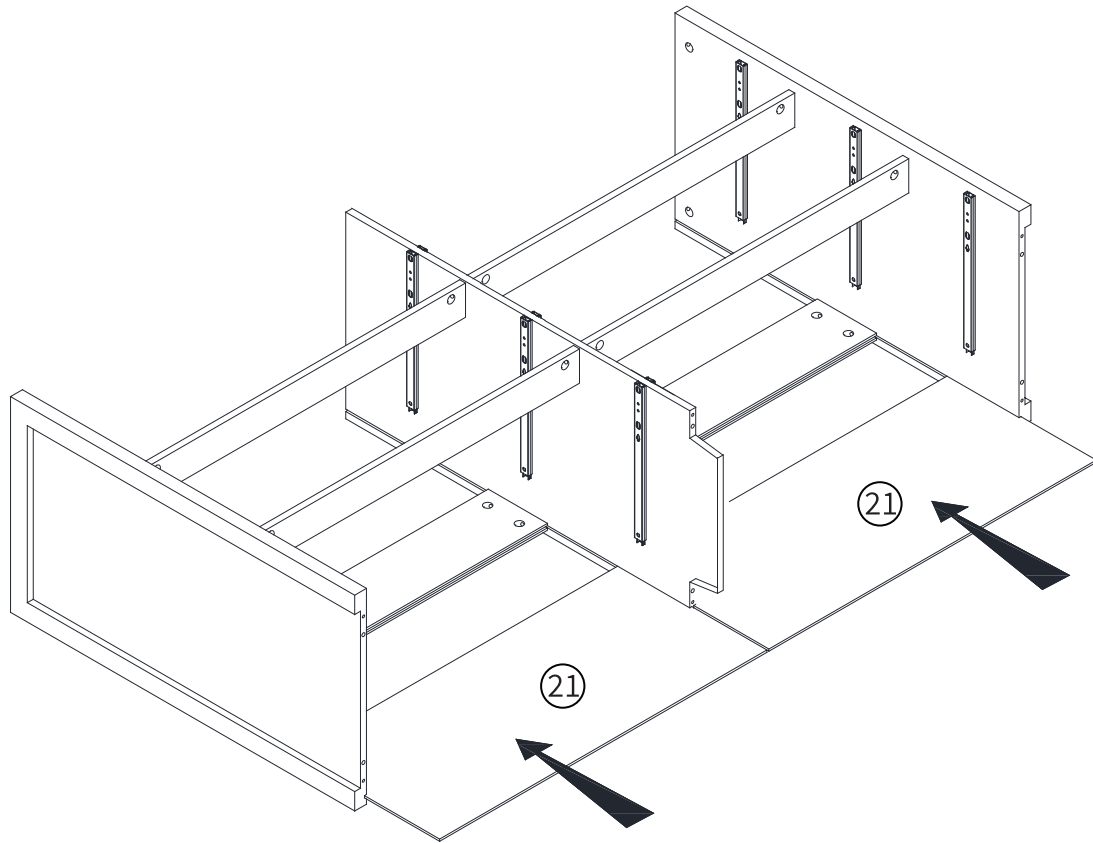


C x 2

Ø6 x 30 mm

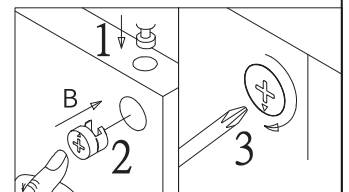
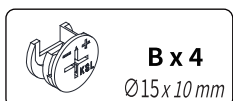
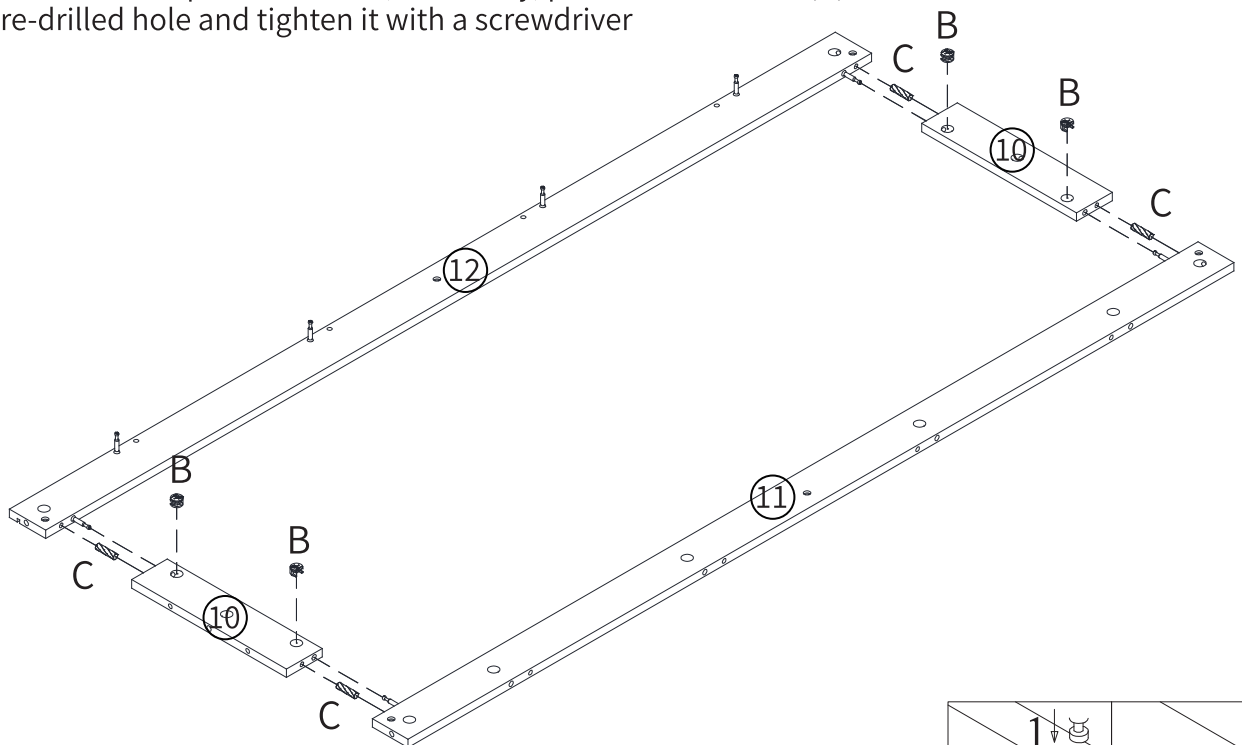
Step 11

As shown in the figure, part ②① is installed along the groove.



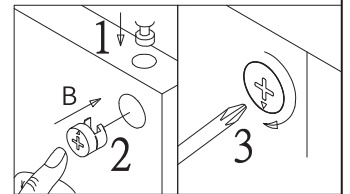
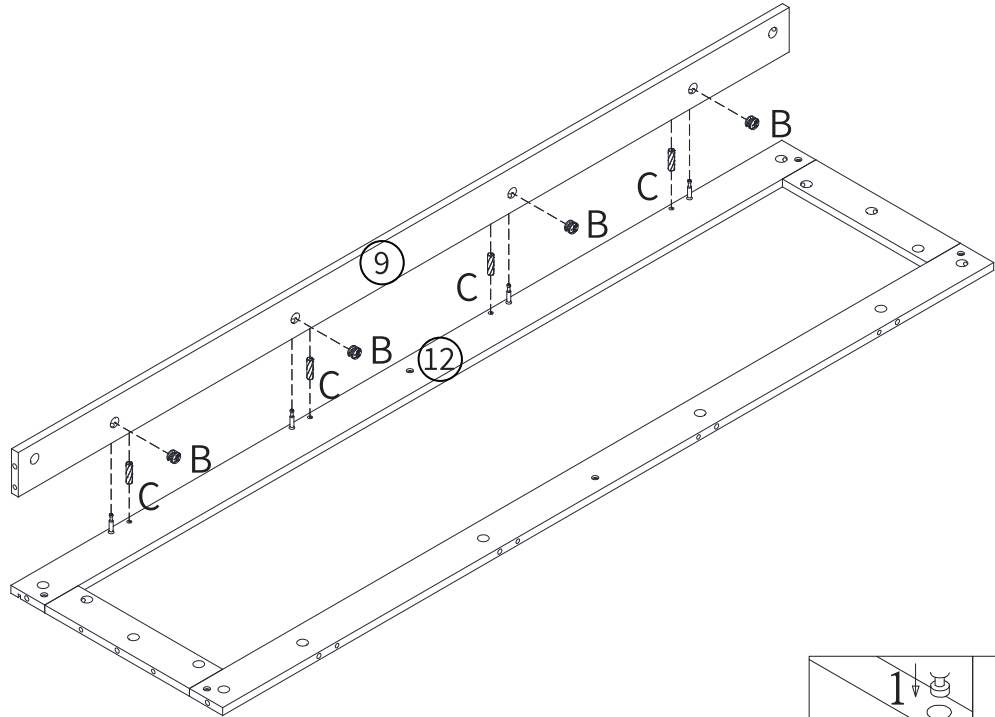
Step 12

As shown in the figure, first, insert the wooden peg (C) into the two parts ⑩, and then connect the parts ⑩ and ⑪, ⑫. Finally, place the eccentric (B) in the pre-drilled hole and tighten it with a screwdriver



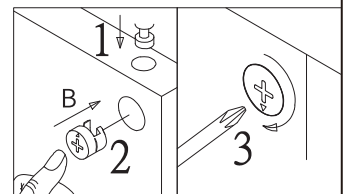
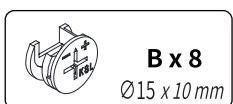
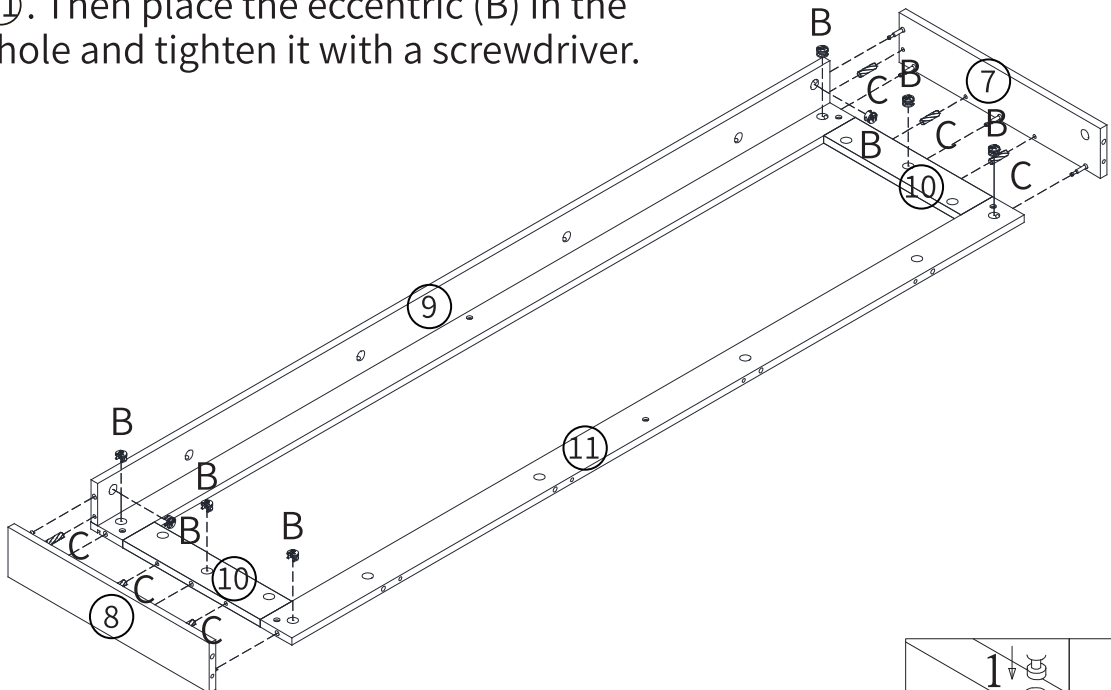
Step 13

First, place the wooden peg (C) in part ⑫ and connect parts ⑨ and ⑫. Then place the eccentric (B) in the pre-drilled hole and tighten it with a screwdriver.



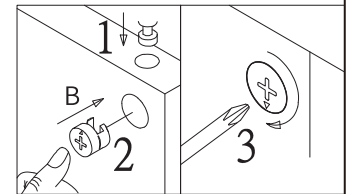
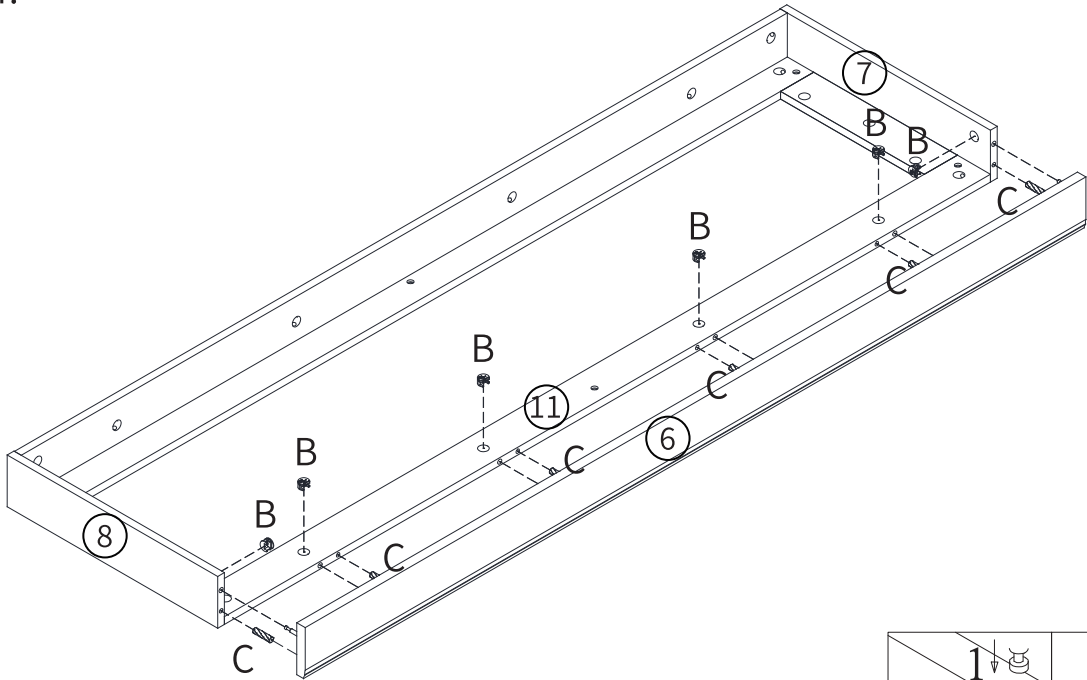
Step 14

First insert the wooden peg (C) into part ⑦ and connect part ⑦ and part ⑨ ⑩ ⑪. Then place the eccentric (B) in the pre-drilled hole and tighten it with a screwdriver. In the same way, insert the wooden peg (C) into part ⑧ and connect part ⑧ and part ⑨ ⑩ ⑪. Then place the eccentric (B) in the pre-drilled hole and tighten it with a screwdriver.



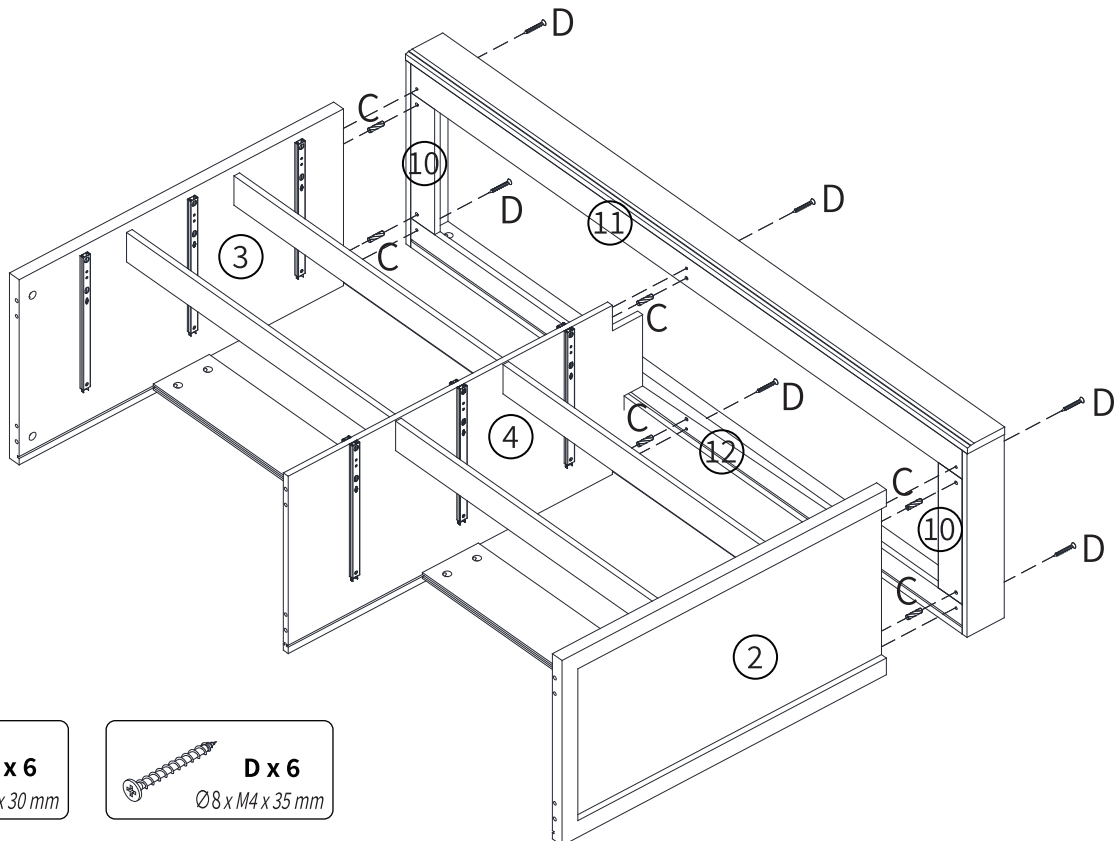
Step 15

First insert the wooden peg (C) into part ⑥ and connect part ⑥ and part ⑦ ⑧ ⑪. Then place the eccentric (B) in the pre-drilled hole and tighten it with a screwdriver.



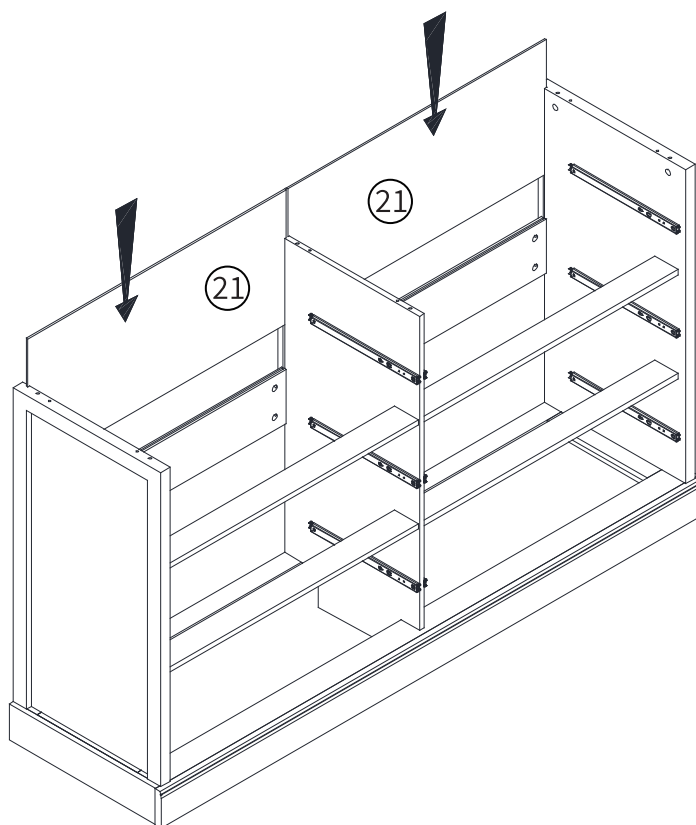
Step 16

First insert the wooden peg (C) into part ②, ③ and ④. Then use screws (D) to connect part ② ③ ④ and part ⑩ ⑪ ⑫.



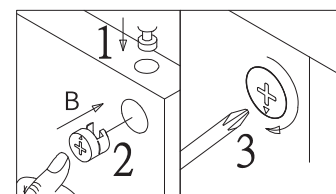
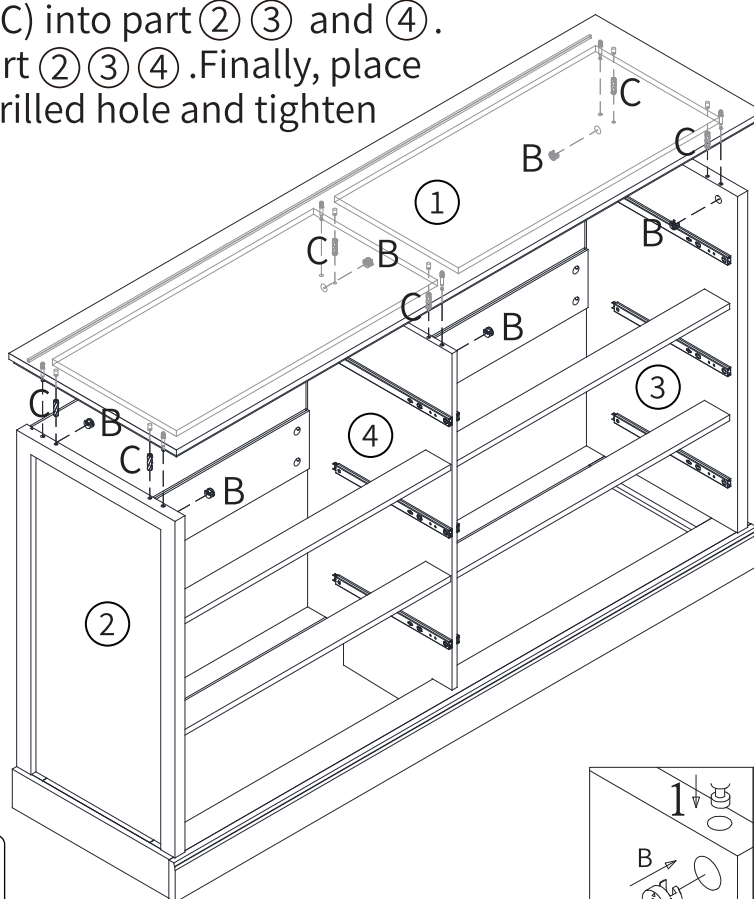
Step 17

As shown in the figure, part ②① is installed along the groove.



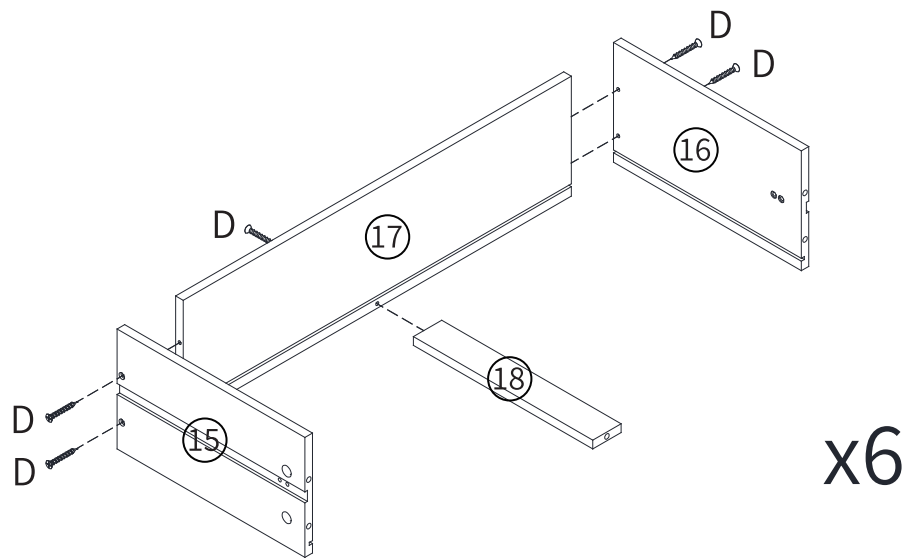
Step 18

First insert the wooden peg (C) into part ② ③ and ④. Then connect part ① and part ② ③ ④. Finally, place the eccentric (B) in the pre-drilled hole and tighten it with a screwdriver.



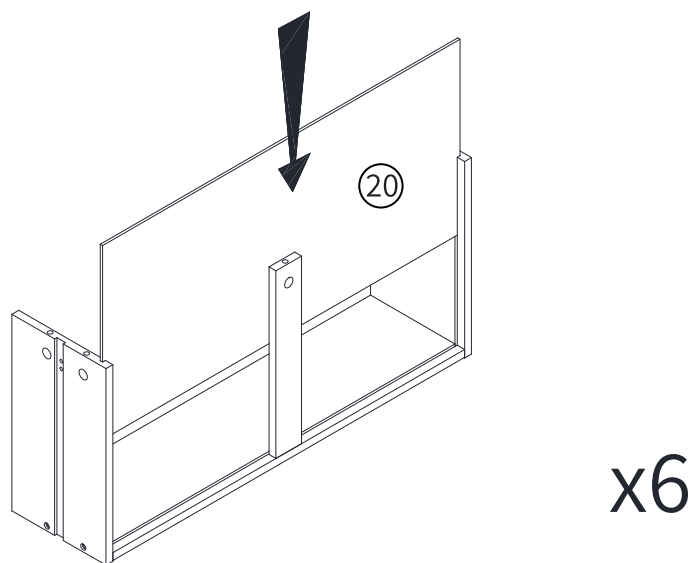
Step 19

As shown in the figure, use screws (D) to assemble panels ⑮ ⑯ ⑰ ⑱.



Step 20

As shown in the figure, part ⑳ is installed along the groove.

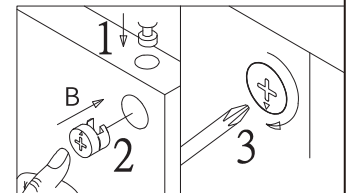
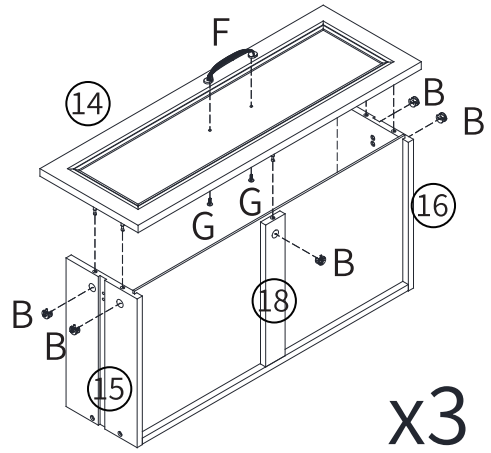
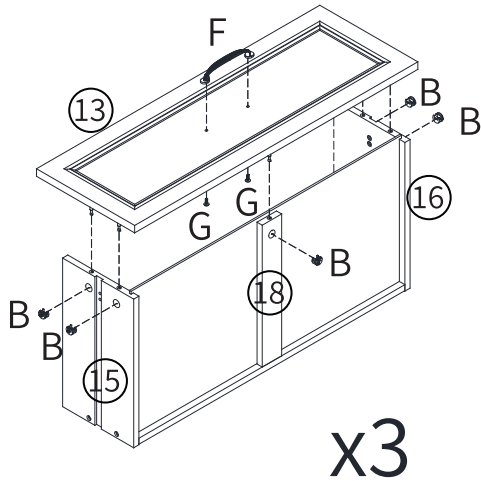


Step 21

Use screws (G) to connect the handle (F) to part ⑬/⑭.

Then connect part ⑬/⑭ and part ⑮⑯⑰.

Finally, place the eccentric (B) in the pre-drilled hole and tighten it with a screwdriver

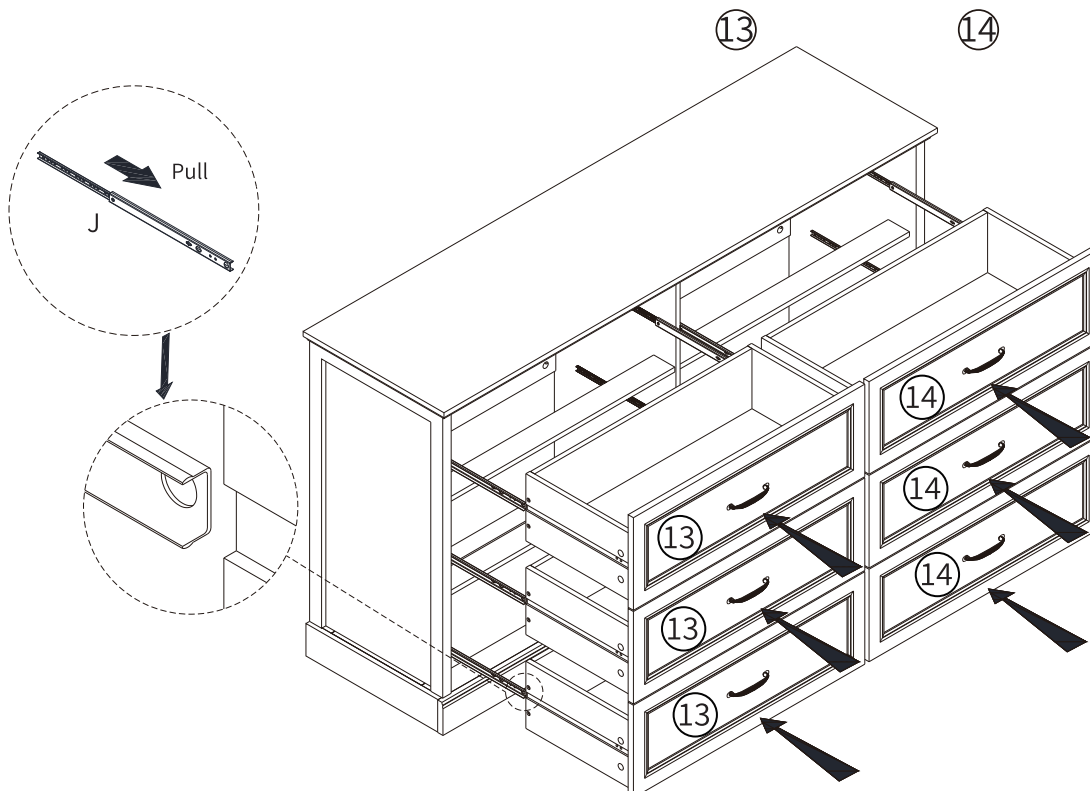


Step 22

As shown in the figure, pull the sliding-rails as the direction of the arrow to the farthest position.

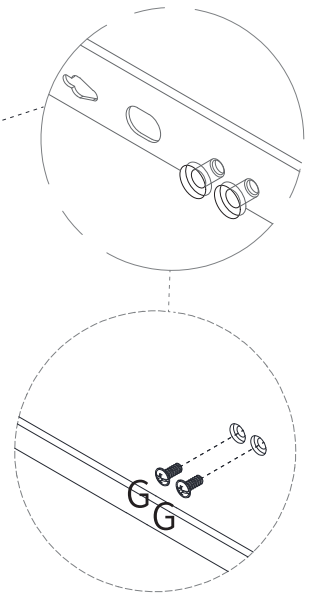
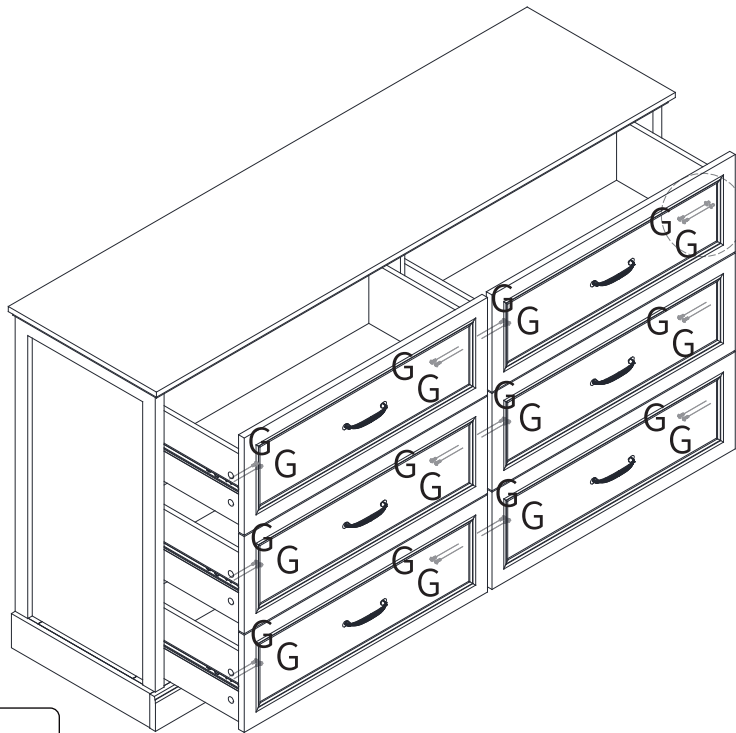
Then make sure that the sliding-rails on both sides are close to the slot at the same time.

Next, push the drawer inward. Attention, part ⑬ is on the left and part ⑭ is on the right.



Step 23

As shown in the figure, the screw (G) can be locked after aligning the rear panel hole and the sliding rail hole through fine-tuning

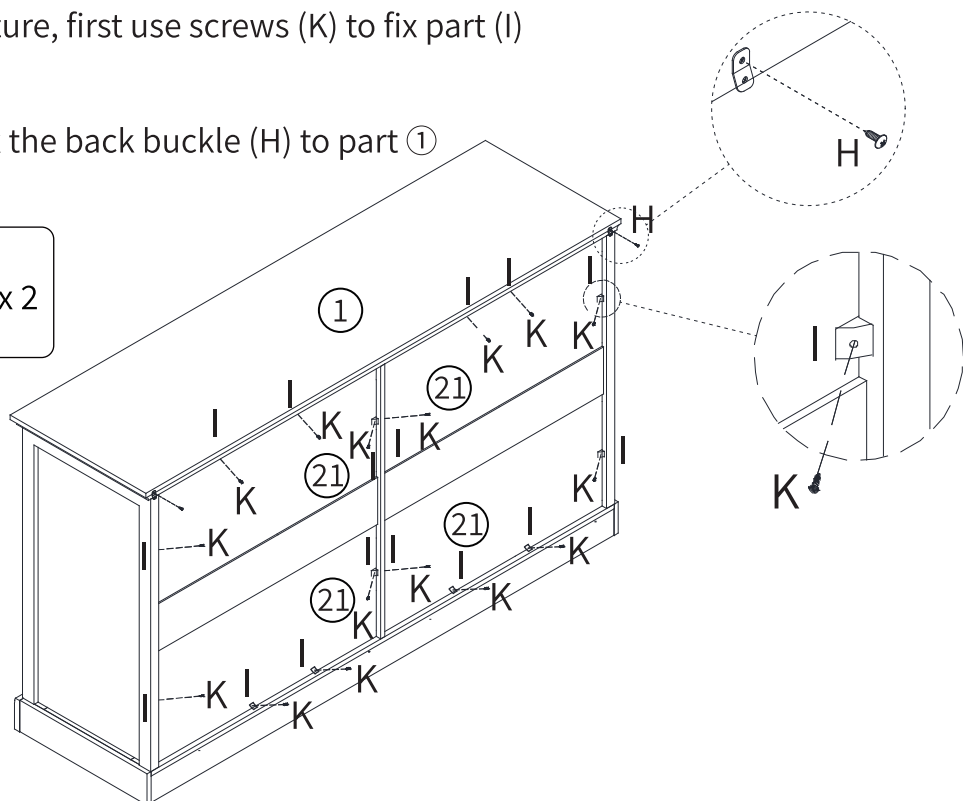
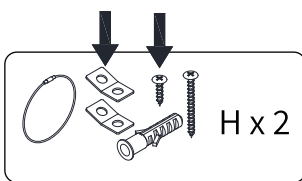


G x 24
Ø9x M4 x 8 mm

Step 24

As shown in the picture, first use screws (K) to fix part (I) to the back plate.

Use screws (H) to fix the back buckle (H) to part ①



I x 16
15 x 14 x 10 mm



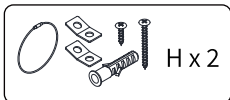
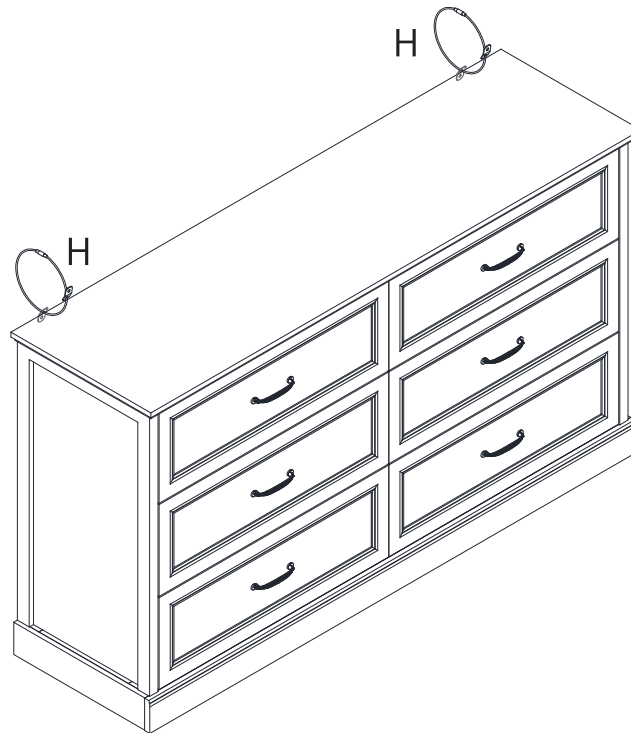
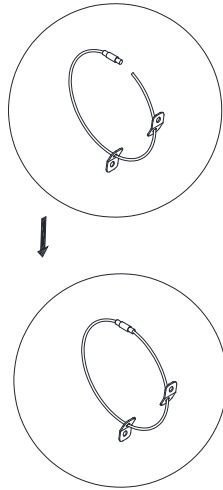
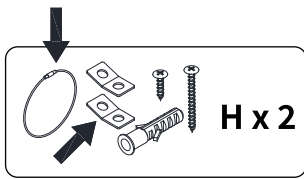
K x 16
Ø6.5 x M3 x 16 mm



H x 2

Step 25

Install (H) in the corresponding position as shown in the figure.



Step 26

Fix (H) on the wall as shown in the picture.

