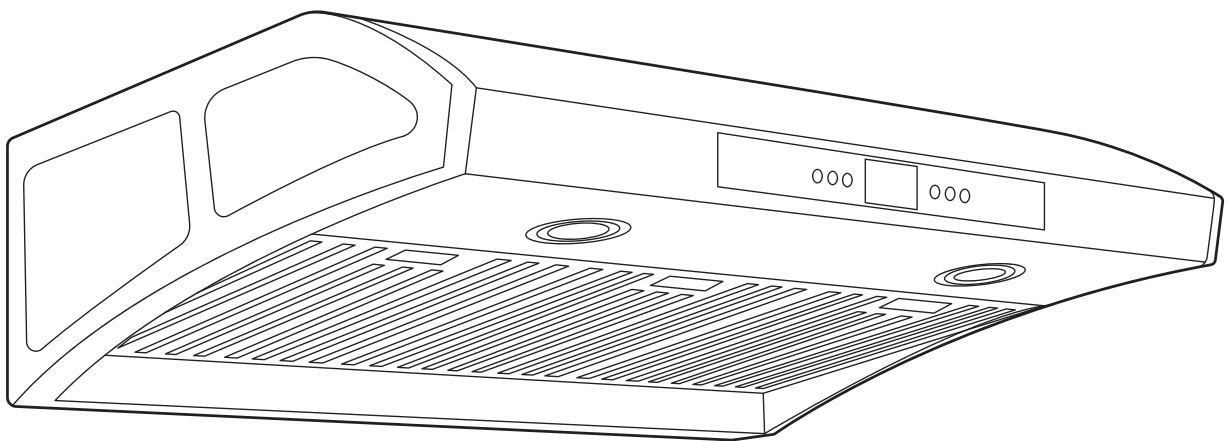


Under Cabinet Range Hood Instruction Manual



**THIS INSTRUCTION BOOKLET CONTAINS IMPORTANT SAFETY INFORMATION.
PLEASE READ AND KEEP FOR FUTURE REFERENCE.**

Table of Contents

Warning	1
Tools Needed	4
Parts & Accessories	5
Product Dimension	5
Installation	6
Operations	10
Maintenance	11
Warranty	12
Specification	14
Disclaimer	15
Contact Us	16

Warning

1. Installation work and electric wiring (including switch location) must be done by the qualified person(s) in accordance with local applicable codes and standards, including fire-rated construction.
2. This hood may have sharp edges. Be careful to avoid cuts and abrasions during installation and cleaning.
3. The hood must be placed at a minimum distance of 60cm from the cook panel.
4. Sufficient air is needed for proper combustion and exhausting of gases through the chimney of fuel burning equipment to prevent back drafting. Follow the heating equipment manufacturer's guideline and safety standards such as those published by the National Fire Protection Association, and the American Society for Heating, Refrigeration and Air Conditioning Engineer (ASHRAE), and the local code authorities.
5. Ducted fans must always be vented to the outdoors.
6. This appliance is designed to be operated by adults. Children were not allowed to temper with the controls or play with this appliance.
7. **WARNING:** To reduce the risk of fire or electric shock, do not use this fan with any solid-state speed control device.
8. When cutting or drilling into wall or ceiling, do not damage electrical wiring and other hidden utilities.

WARNING-TO REDUCE THE RISK OF FIRE, USE ONLY THE METAL DUCTWORK

WARNING-TO REDUCE THE RISK OF INJURY TO PERSONS IN THE EVENT OF A RANGE TOP FIRE, OBSERVE THE FOLLOWING

1. SMOTHER FLAMES with a close-fitting lid, cookie sheet or metaltray, then turn off the burner, BE CAREFUL TO PREVENT BURNS. If the flames do not go out immediately, EVACUATE AND CALL THE FIRE DEPARTMENT.
2. NEVER PICK UP A FLAMING PAN - You may be burned.
3. DO NOT USE WATER, including wet dishcloths or towels - a violent steam explosive will result.
4. Use an extinguisher ONLY if:
 - You know you have a Class ABC extinguisher, and you already know how to operate it;
 - The fire is small and contained in the area where it started;
 - The fire department is being called;
 - You can fight the fire with your back to an exit.

WARNING- TO REDUCETHE RISK OF A RANGE TOP GREASE FIRE:

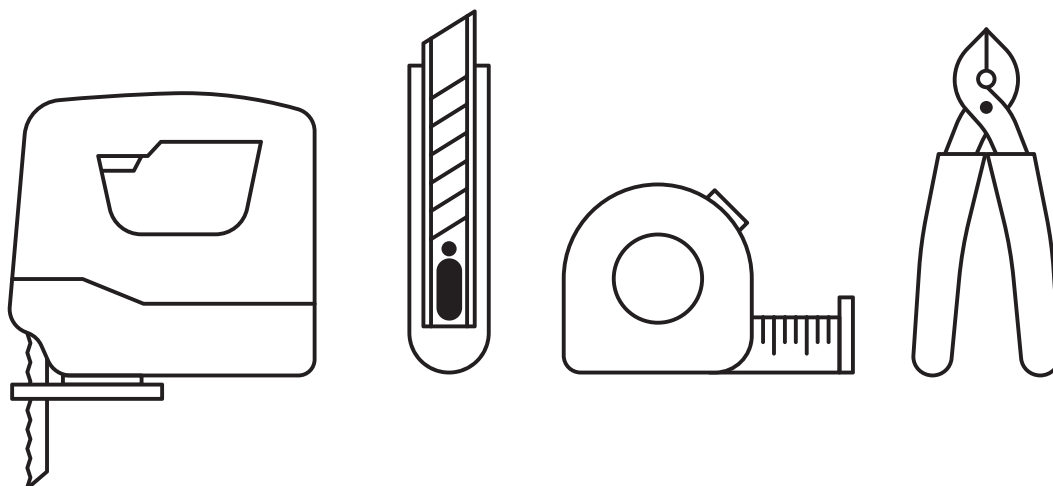
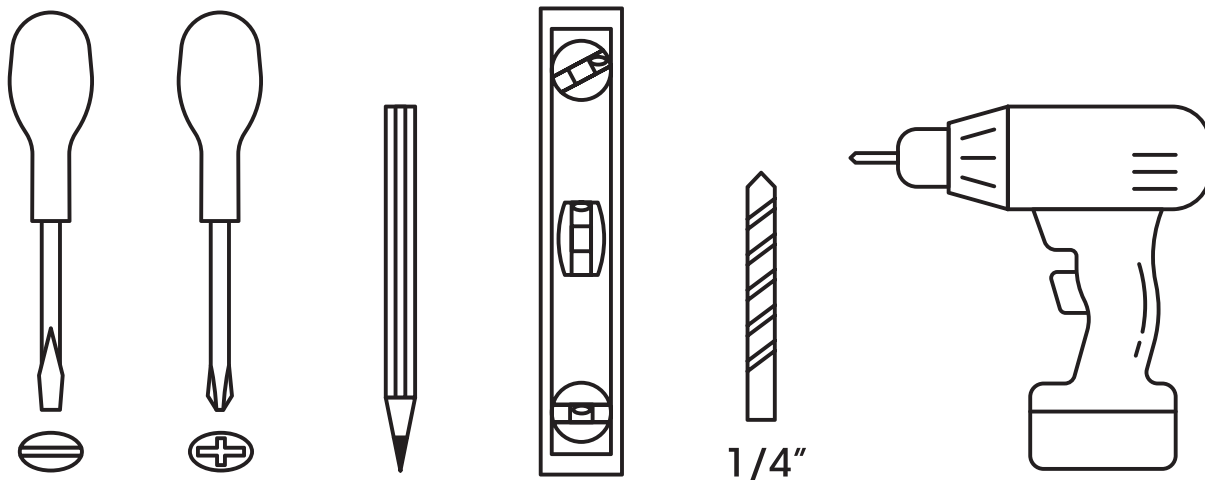
1. Never leave surface units unattended at high settings. Boil overs cause smoking and greasy spillovers that may ignite. Heat oils slowly on low or medium settings.
2. Always turn hood ON when cooking at high heat or when flambéing food.
3. Clean ventilating fans frequently. Grease should not be allowed to accumulate on fan or filter.

4. Use proper pan size. Always use cookware appropriate for the size of the element.

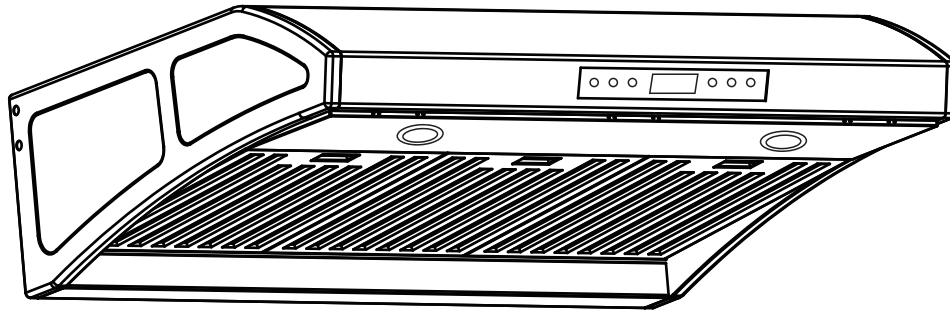
WARNING-TO REDUCE THE RISK OF FIRE, ELECTRIC SHOCK, OR INJURY TO PERSON, KEEP IN MIND THE FOLLOWING:

1. Use this unit only in the manner intended by the manufacturer. If you have questions, contact the manufacturer.
2. Before servicing or cleaning unit, switch power off at service panel and lock the service disconnecting means to prevent power from being switch on accidentally. When service disconnecting means cannot be locked, securely fasten a prominent warning device, such as a tag, to the servicepanel.

Tools Needed

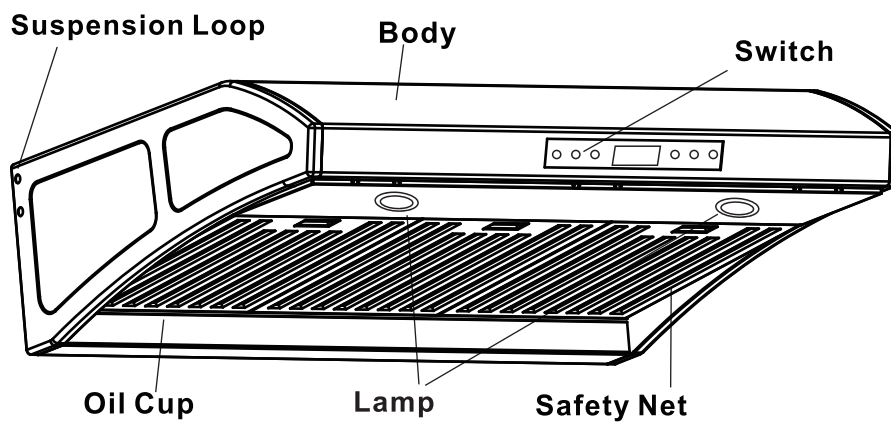


Parts & Accessories



Screws
x4

Range Hood
x1



Suspension Loop

Body

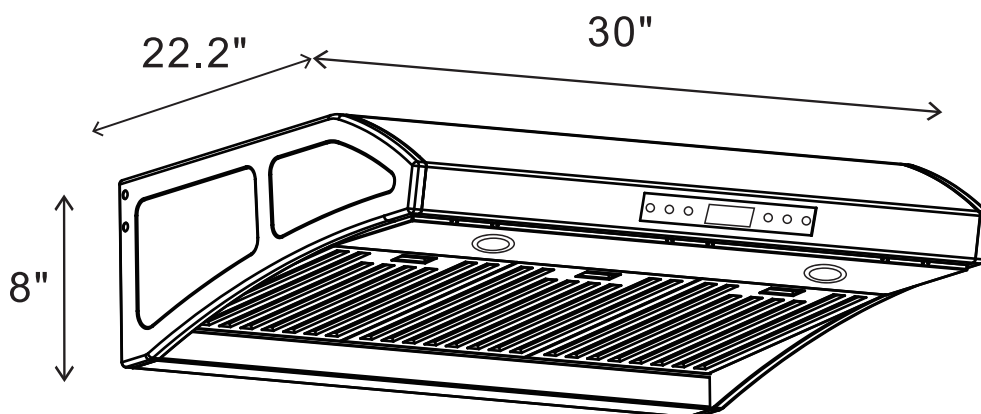
Switch

Oil Cup

Lamp

Safety Net

Product Dimension



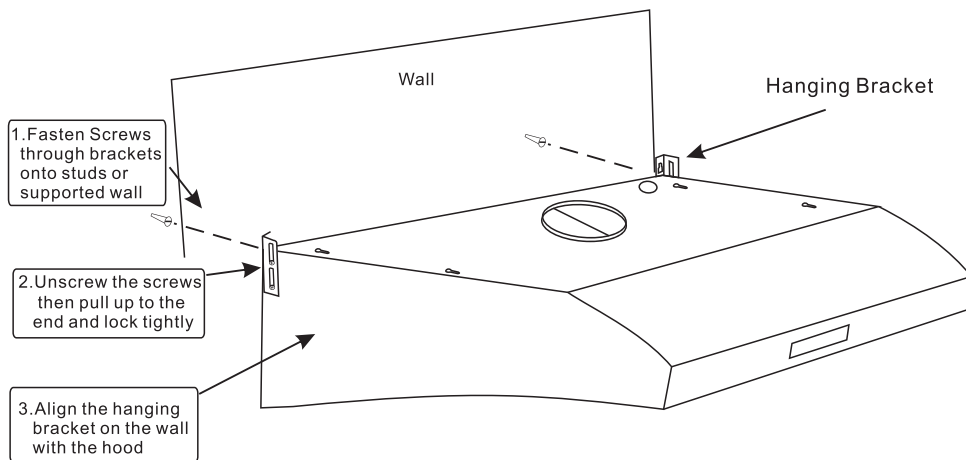
22.2"

30"

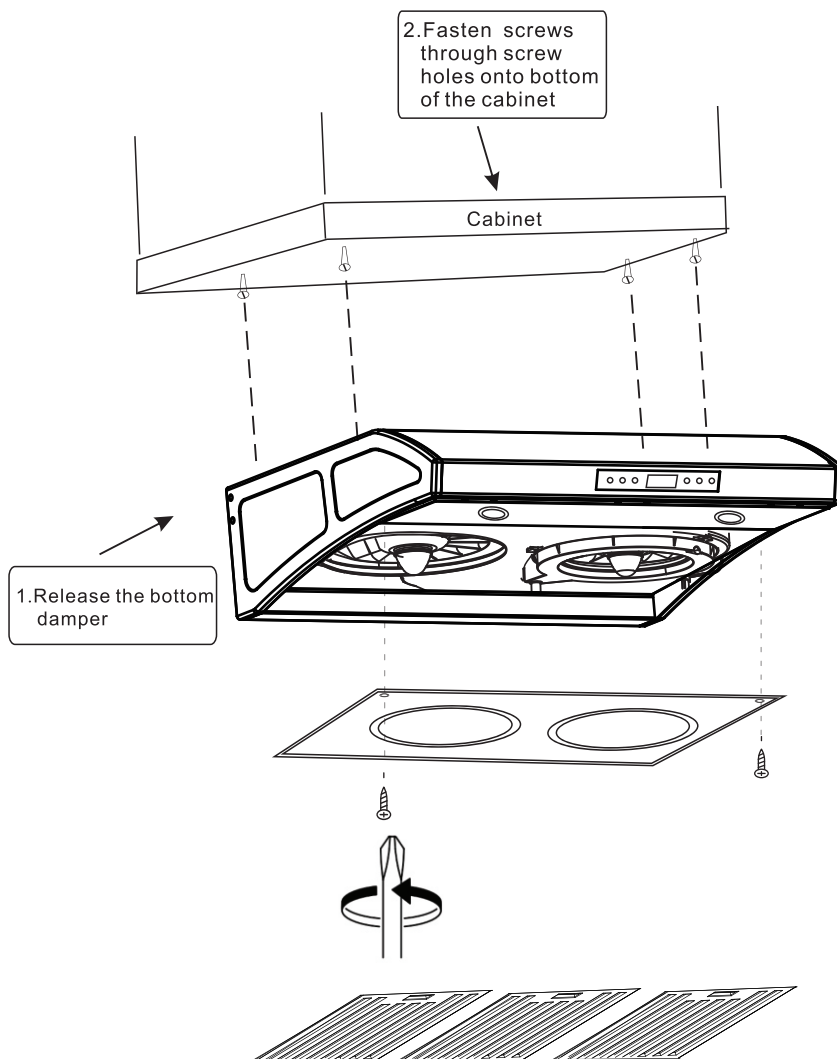
8"

Installation

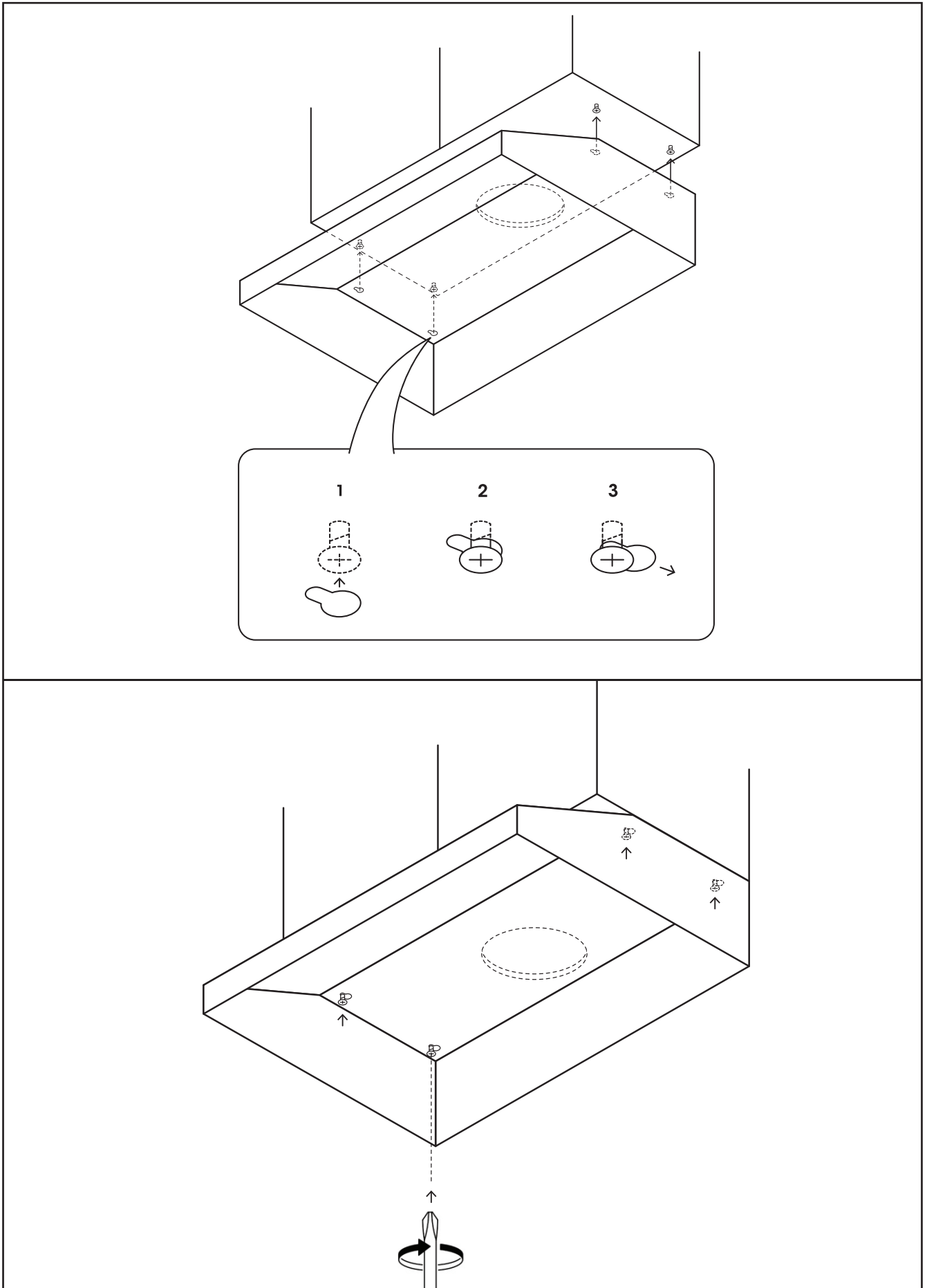
Wall Mounting Instructions



Mounting Instructions for Under Cabinets

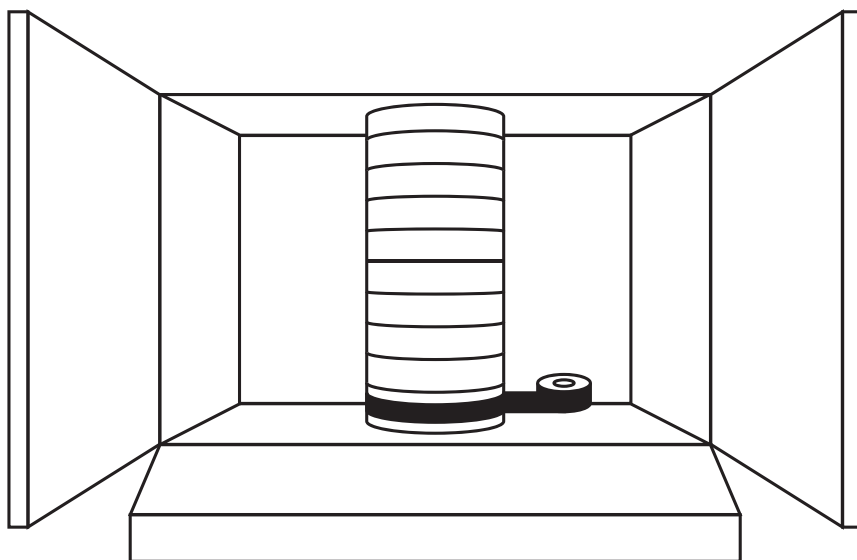
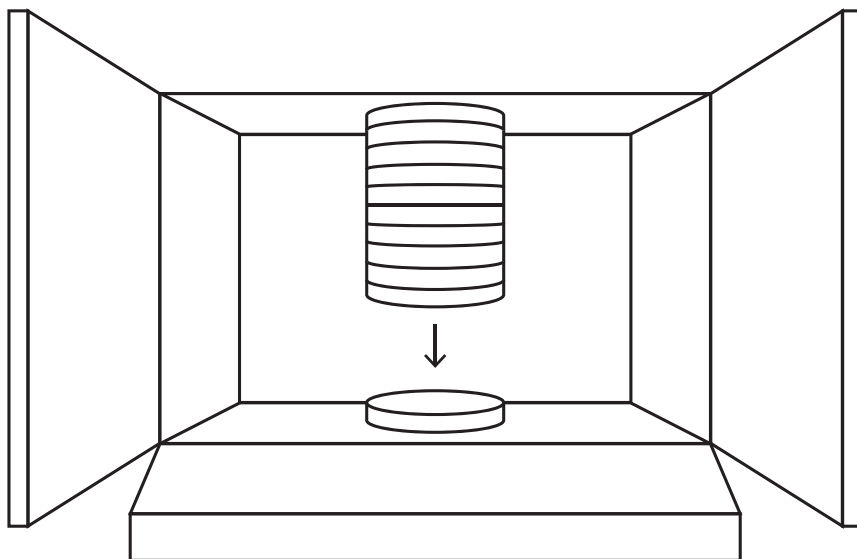


Mounting Instructions for Under Cabinets

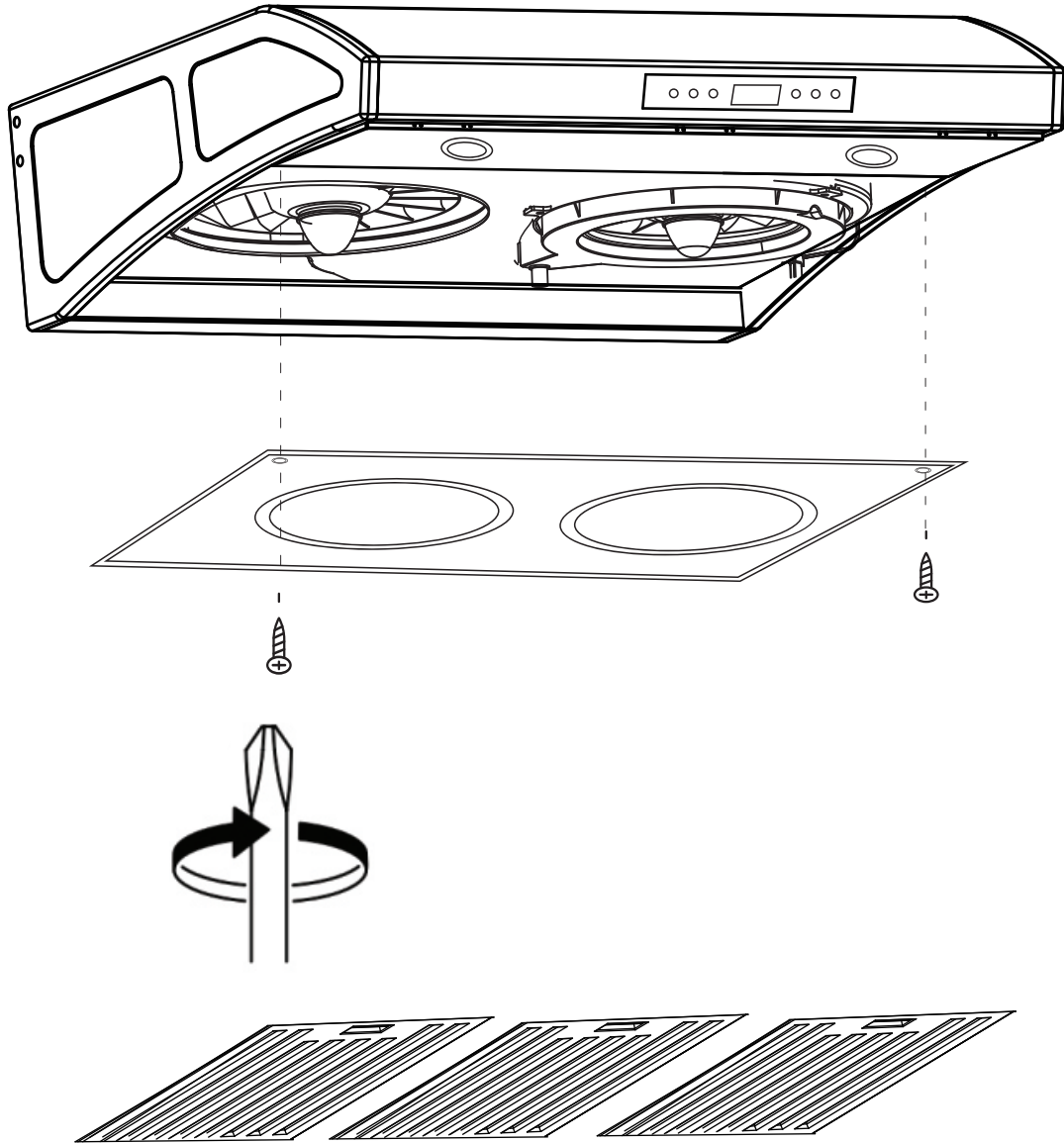


Mounting Instructions for Under Cabinets

Connect round vent to vent adapter.
Seal with aluminum foil tape.



Mounting Instructions for Under Cabinets





Operation Instructions

Control Panel Introduction

The hood is operated using the 3-speed button control panel on the front of the device.







 — Lamp

 — On/Off

+ — Plus

- — Minus

- Press the  button to activate the fan and then press the + or - button to set the fan speed.
- Press the  button for 3 seconds and the time indicator on the display will begin flashing. Press the + or - button to adjust the hour; press the  button again to adjust the minute. The device will automatically confirm the time if you do not press anything for 5 seconds.
- While the fan is operating, press the  button for 3 seconds and the time will begin to flash. This indicates that you can set a delayed timer. Press the + or - button to delay the time, ranging from 1—15 minutes. The machine will automatically confirm this setting if you do not interact with the control panel for 3 seconds.

Please use the following maintenance descriptions to help you refer to the real product.

Maintenance

Exterior

Clean any grease with a dry cloth: Apply a small amount of stainless-steel solution to the body and wipe clean with a dry cloth.

Filters

Grease inside of the device should be cleaned frequently—as often as every 2 months of operation and more frequently during heavy-use periods. You can either clean the filters by hand with warm detergent solution and then rinse or you can use a dishwasher to clean the parts. When you remove the filters, ensure that you do not bend any of the pieces. After cleaning, dry them before refitting them inside of the device.

Warranty

TO OBTAIN SERVICE UNDER WARRANTY

You must present proof of original purchase date. Please provide an original dated proof of purchase (sales receipt/invoice) in order to obtain service under warranty.

Lifetime Motor Warranty

The motor, which is covered by lifetime warranty, should be provided free of charge by your local reseller given it failed due to manufacturing defects. Subject to the conditions and limitations set forth below, your local reseller should, at its option, either repair or replace it with new or refurbished motor to be functionally equivalent to new. The consumer is responsible for all shipping costs.

Lifetime Motor Warranty

For one year from the date of original purchase, your local reseller will provide free of charge, non-consumable replacement parts or components that failed due to manufacturing defects. Subject to the conditions and limitations set forth below, your local reseller will, at its option, either repair or replace any part of its products that prove defective by reason of improper workmanship or materials. Repaired parts or replacement products will be provided by your local reseller on an exchange basis, and will be either new or refurbished to be functionally equivalent to new. The consumer is responsible for all shipping costs. Consumable parts not covered by this warranty include but not limited to: Light bulbs, metal, aluminum and charcoal filters.

Who is Covered

This warranty is extended to the original purchaser for products purchased for ordinary home use.

This Warranty Will Be Voided When

Product damaged through negligence, improper installation, accident, abuse, misuse, natural disaster, insufficient or excessive electrical supply, abnormal mechanical or environmental conditions, or any unauthorized disassembly, repair, modification, or failure to follow installation instructions. When product is used commercially or other than its intended purpose. Damaged because of improper connection with equipment of other manufacturers. Repaired or modified by anyone other than your local resellers authorized agents. This limited warranty also does not apply to any product on which the original identification information has been altered, obliterated or removed, has not been handled or packaged correctly or has been sold as second-hand.

What is Not Covered:

Consumable parts such as light bulbs, metal and charcoal filters. The natural wear of finish, and wear due to improper maintenance, use of corrosive and abrasive cleaning products, pads, and oven cleaner products. Chips, dents or cracks due to abuse, misuse, freight damage, or improper installation. Damage of product caused by accident, fire, floods or act of God. The manufacturer and/or distributor / reseller is not liable for, and does not cover under warranty, any loss of properties or any costs associated with removing, servicing, installing, or determining the source of problems with this product.

This warranty is valid in the country of the original purchase at retail. It is non-transferable and applies only to the original purchaser and does not extend to subsequent owners of this product. Any applicable implied warranties, including the warranty of merchantability, are limited in duration to a period of express warranty as provided herein beginning with the date of original purchase at retail and, no warranties, whether express or implied, shall apply to this product thereafter.

To obtain warranty service, you may contact your local reseller from which you purchased this product. Please confirm the terms of your local reseller's policies prior to contacting. Typically, you must include product identification information, including model number and serial number with a detailed description of the problem you are experiencing. You must also include proof of the date of original retail purchase as evidence that the product is within the applicable warranty period.

Specification

DIMENSION (WXDXH)	30"×22"×8"
PACKING DIMENSION (WXDXH)	32.7"×11.4"×25"
VOLTAGE	110V-120V~60Hz
DIA. OUTLET PIPE	∅ 6"
TRANSMISSION STYLE	TWIN MOTORS
LIGHTING SYSTEM	2*1.5W(Max)
VOLUME	750±50CFM
SPEED RANGES	1550R.P.M
MOTOR POWER	90W×2
WEIGHT	N.W.:15KG G.W.:17KG

Disclaimer

Carefully inspect all items for damages before accepting delivery. Note any damages on the freight bill or express receipt. Request name and signature of the carrier's agent and keep copy to support your claim. Upon acceptance of items, owner assumes responsibility for its safe arrival. Report damages to the carrier and file a claim immediately. Failure to do so may result in the denial of your claim. The carrier will furnish you with necessary forms for filing a claim.

Damages caused during transit are not covered under our warranty. Please contact us to file an insurance claim.

Please inspect contents of package(s) carefully upon receiving! We must be notified of any damages and/or missing parts within five (5)-days upon your receipt of package(s). Claims will not be accepted after five (5) days. NOTE: Items were thoroughly tested and carefully packed in our factory before shipping.

Products must be returned in good working condition with ALL original parts and documentation packed in ALL original cartons, fillers and shipping cartons. A restocking fee of 15% will be charged for all approved return(s). Exchanges or returns may not be accepted if any packaging is missing.

Make sure to inspect the hood for damages and defects before installation. Appearance flaws of the hood found after installation and not affecting hood performance is not covered under our warranty for returns or exchanges. Service visits not covered under warranty will carry a service charge.

Before Installation: Return for exchange or refund (please see above for acceptable returns). After Installation: NO exchange or refund.

Contact Us

If you need replacement parts, we recommend that you only use genuine parts. Our accessories and parts are engineered and designed specifically for this series of range hood, each is rigorously tested assuring the utmost in durability and reliability, providing a factory match, factory-installed appearance and functionality tailored to each individual range hood model.

NOTE:

To continuously improve its products, VIVOHOME reserves the right to modify this information without prior notification.

For any questions during assembly, please watch the video in the product page for reference. Or contact our customer service with any questions, comments, or concerns.

Thank you for using VIVOHOME products in your home!

Thank You For Purchasing From
VIVOHOME
MADE IN CHINA