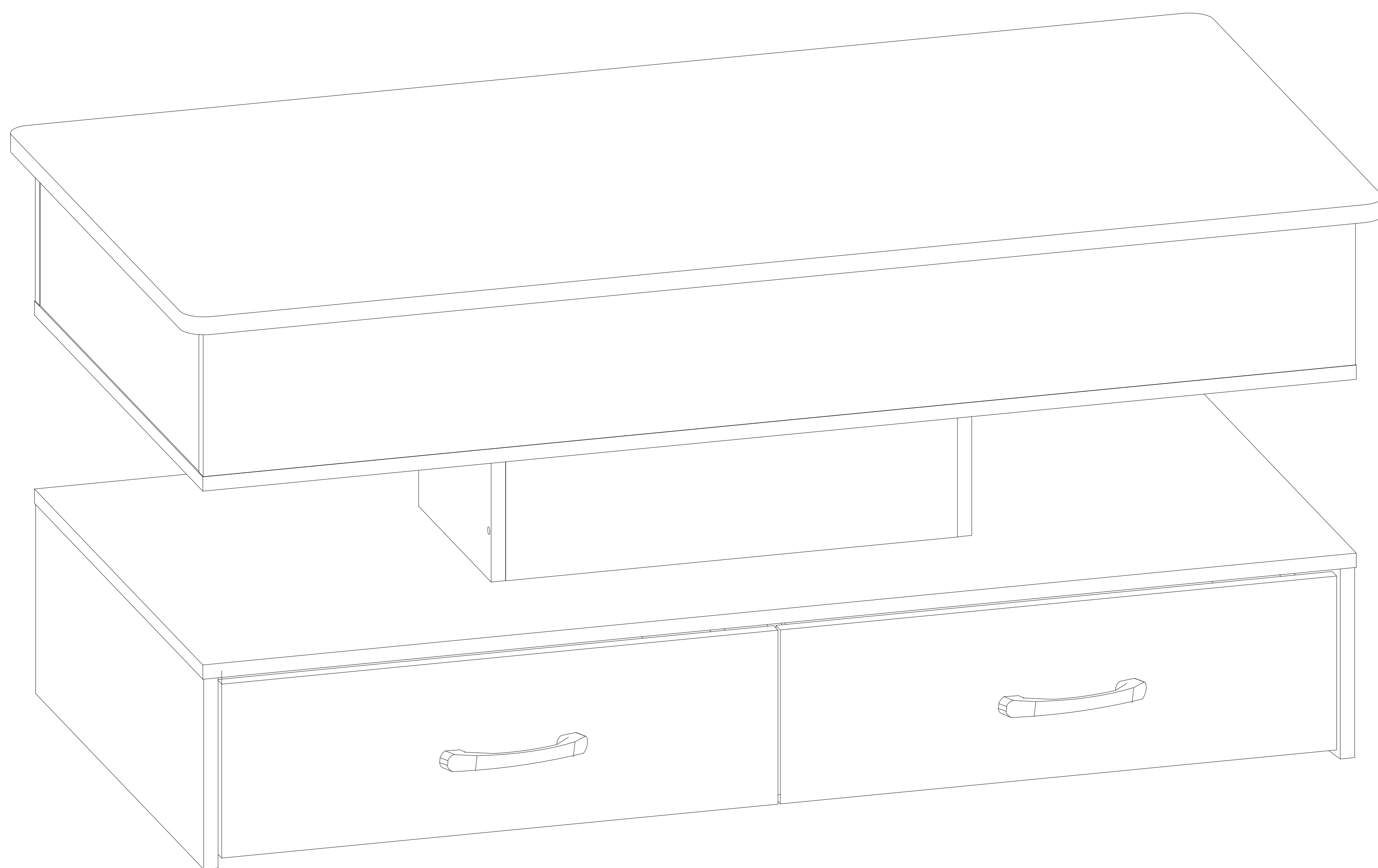
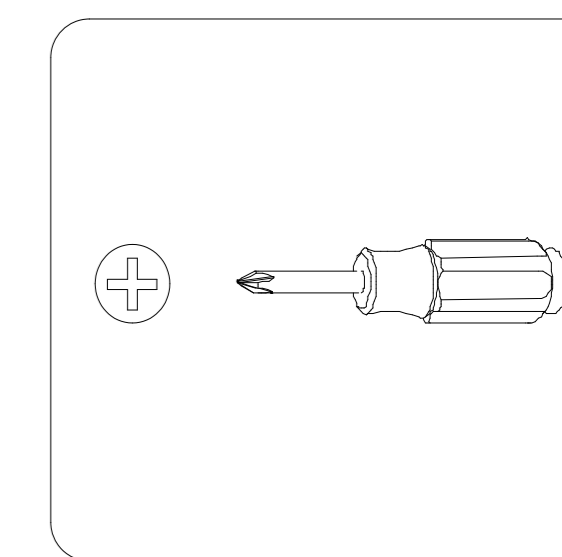
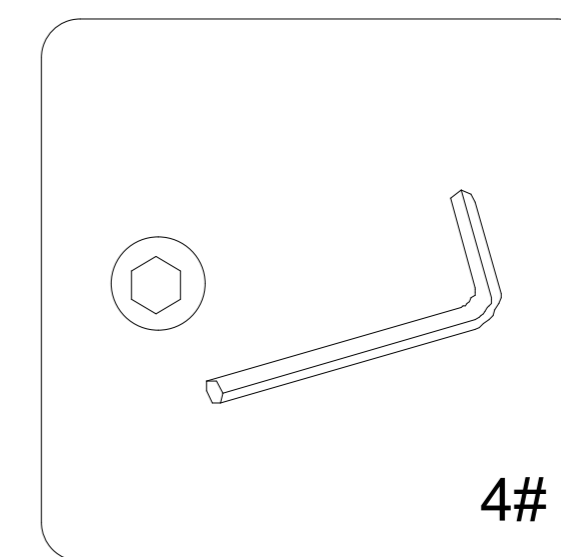
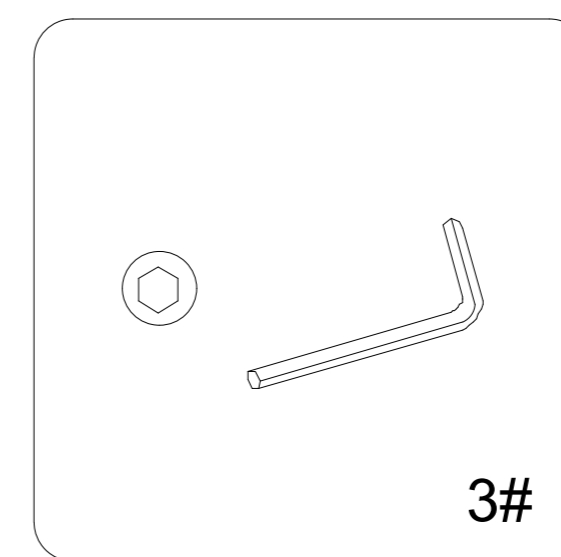
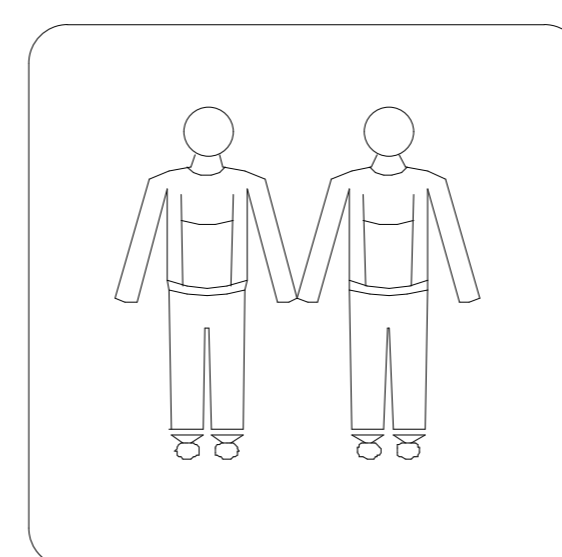


COFFEE TABLE

User Manual



DJ503164



Warning : Please read this instruction manual carefully before using the product.

version: 2.0

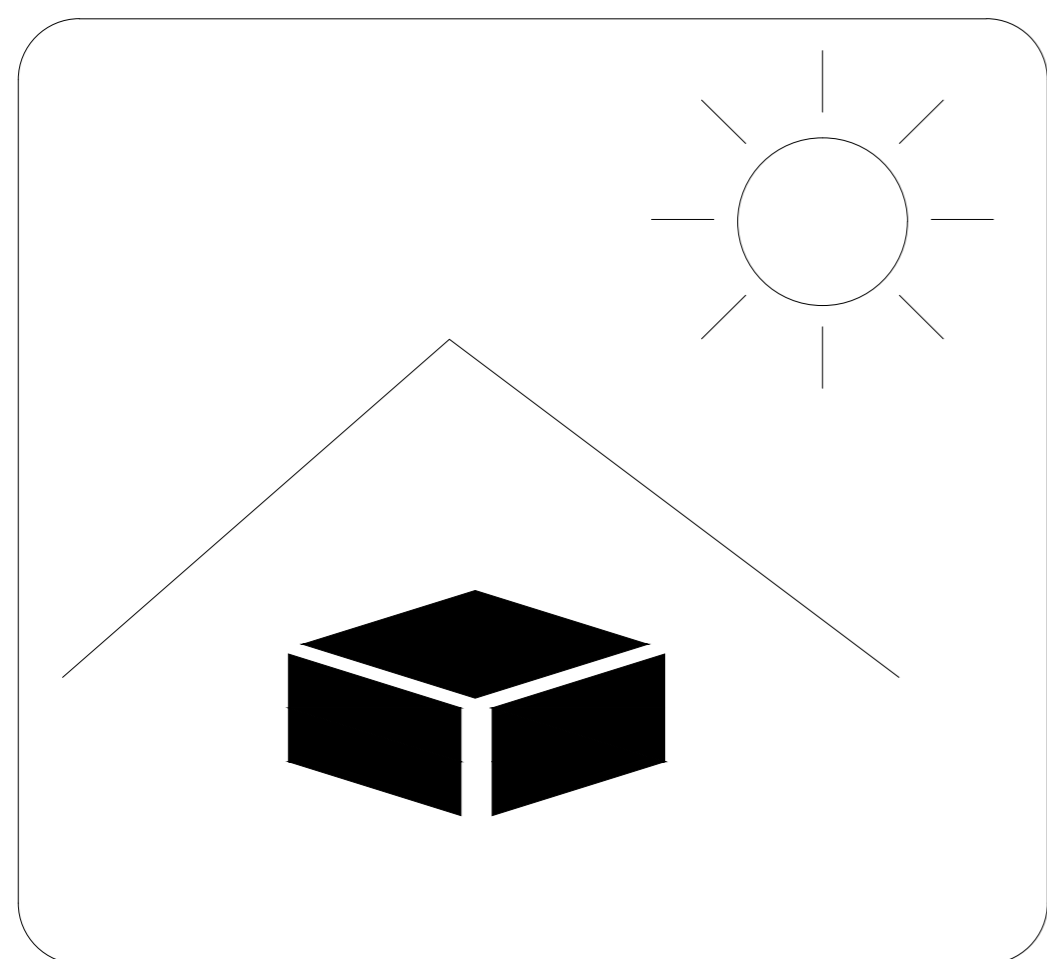
Package Contents

Plates and iron components

Assembly tool kit

Instruction manual

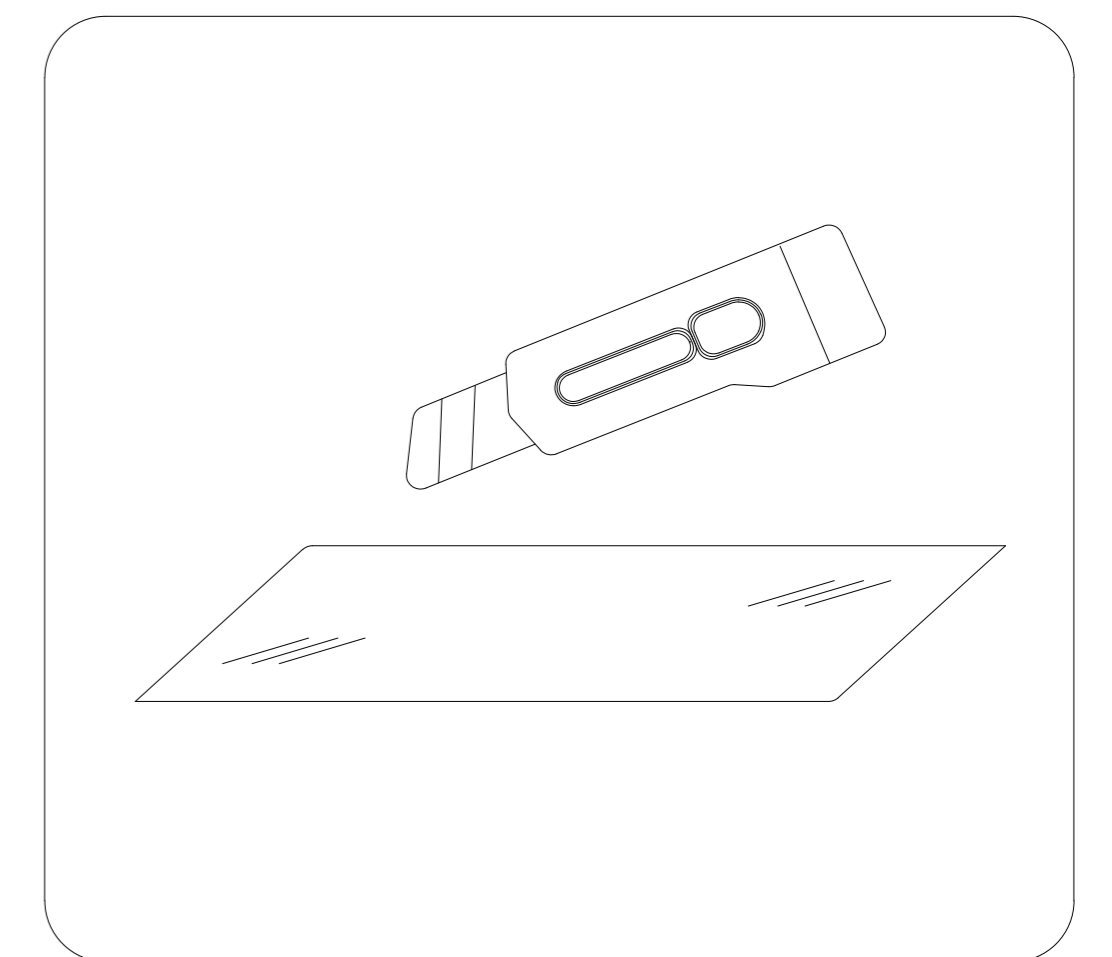
Precautions



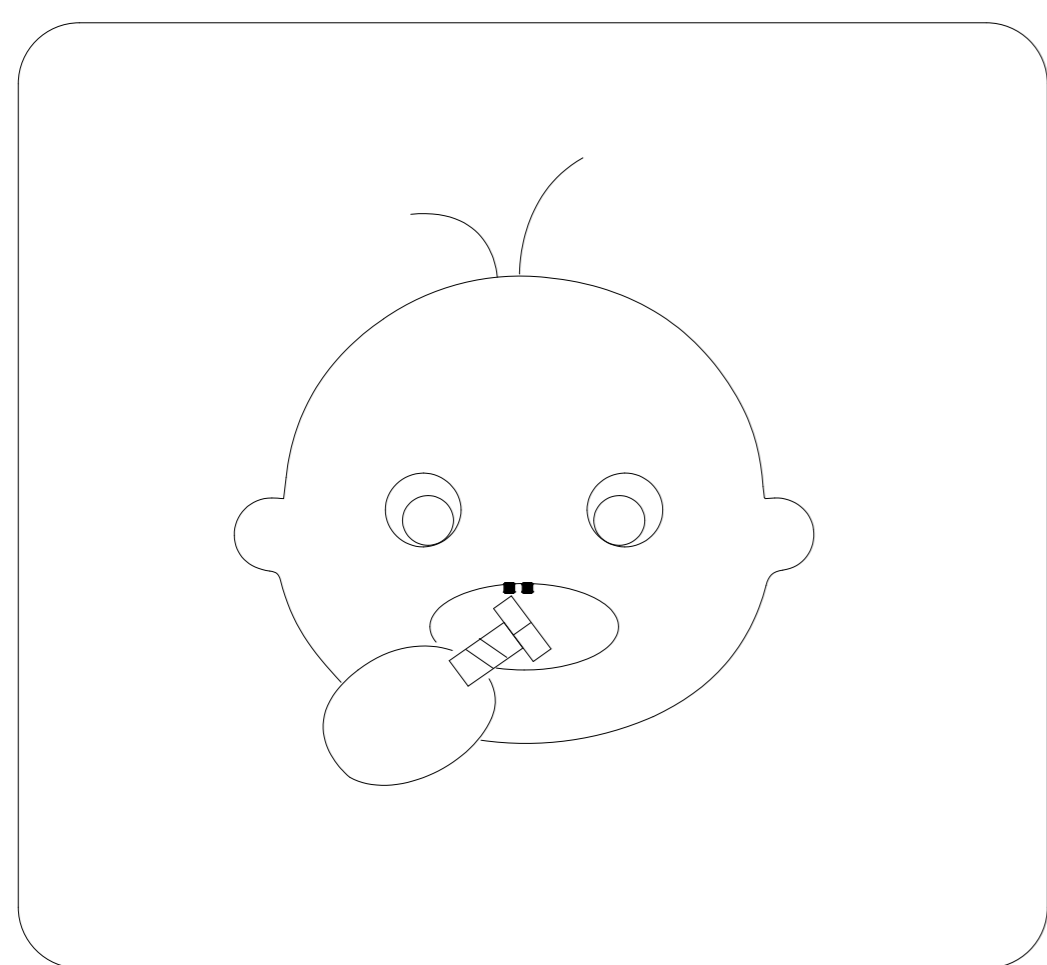
1. Avoid long-term direct sunlight exposure



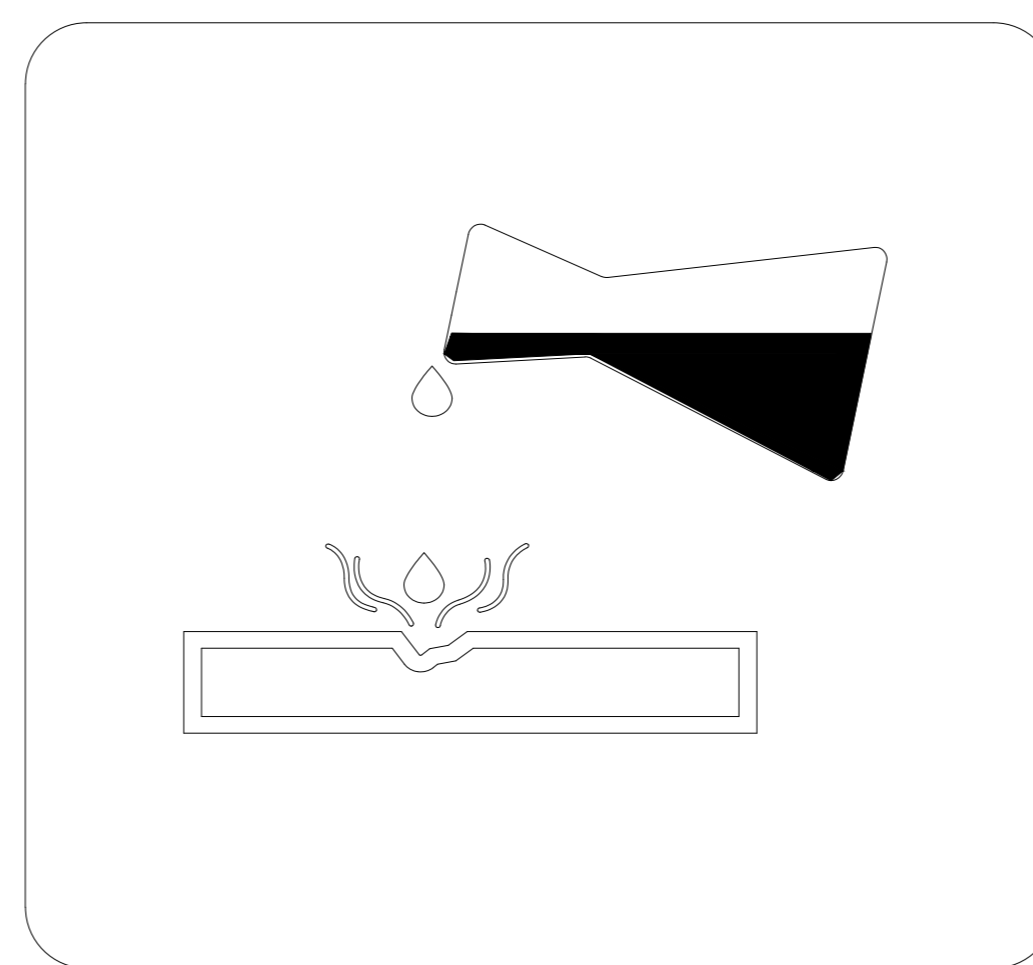
2. Stay away from fire



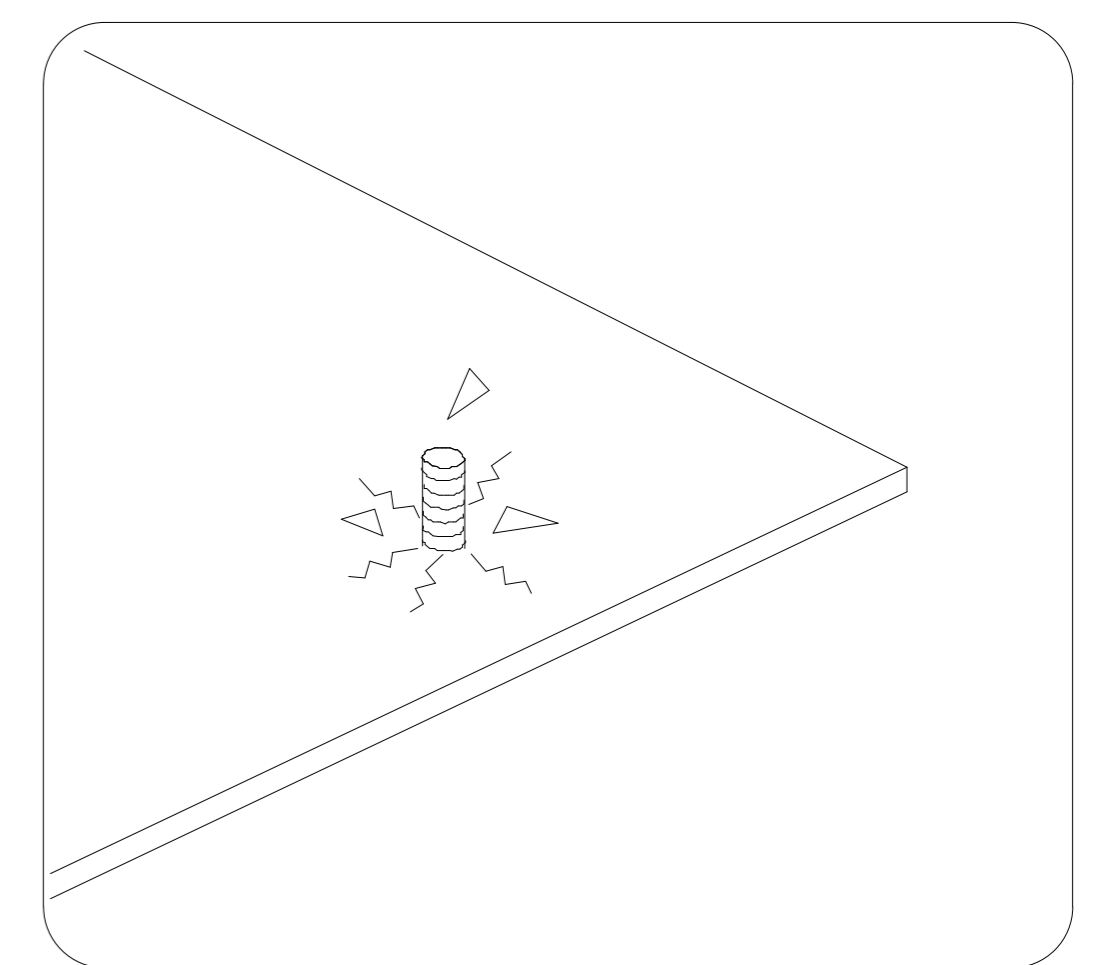
3. Keep away from sharp objects



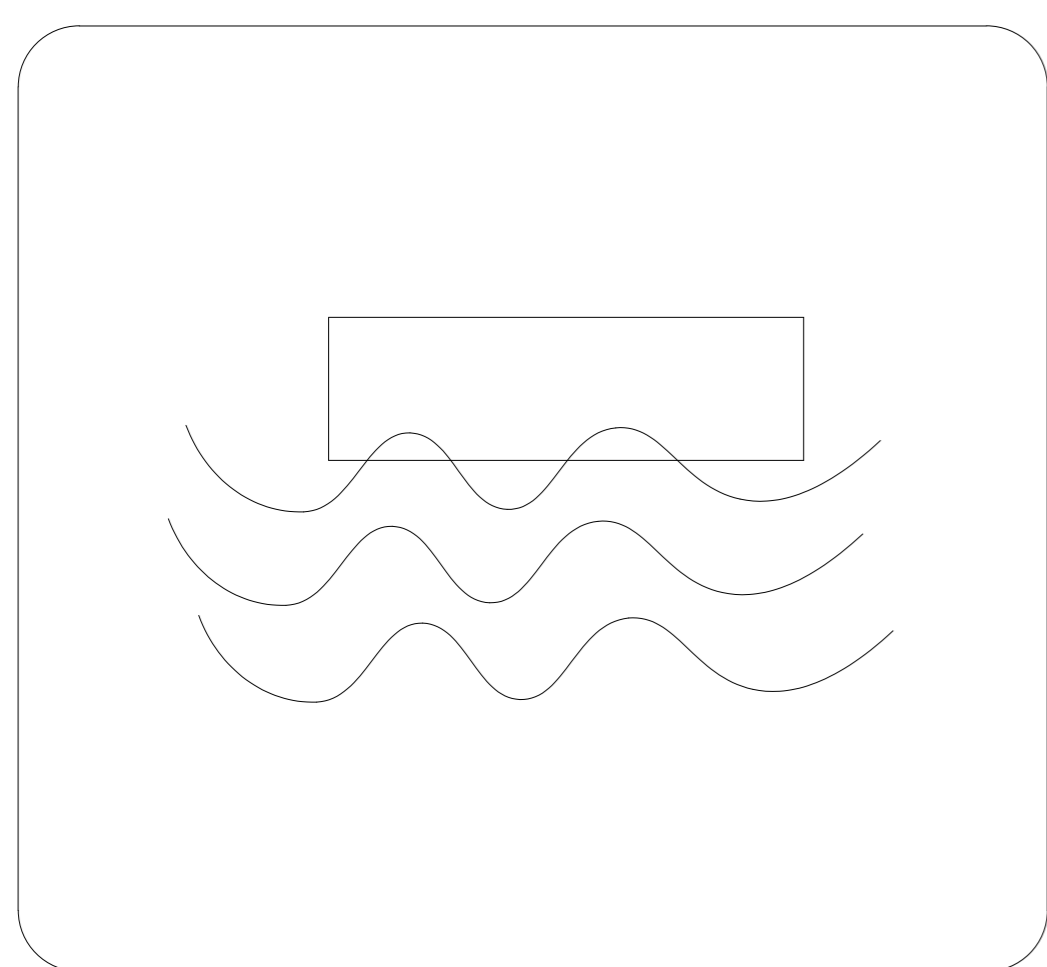
4. Keep infants/children away from assembly parts to avoid choking and suffocation.



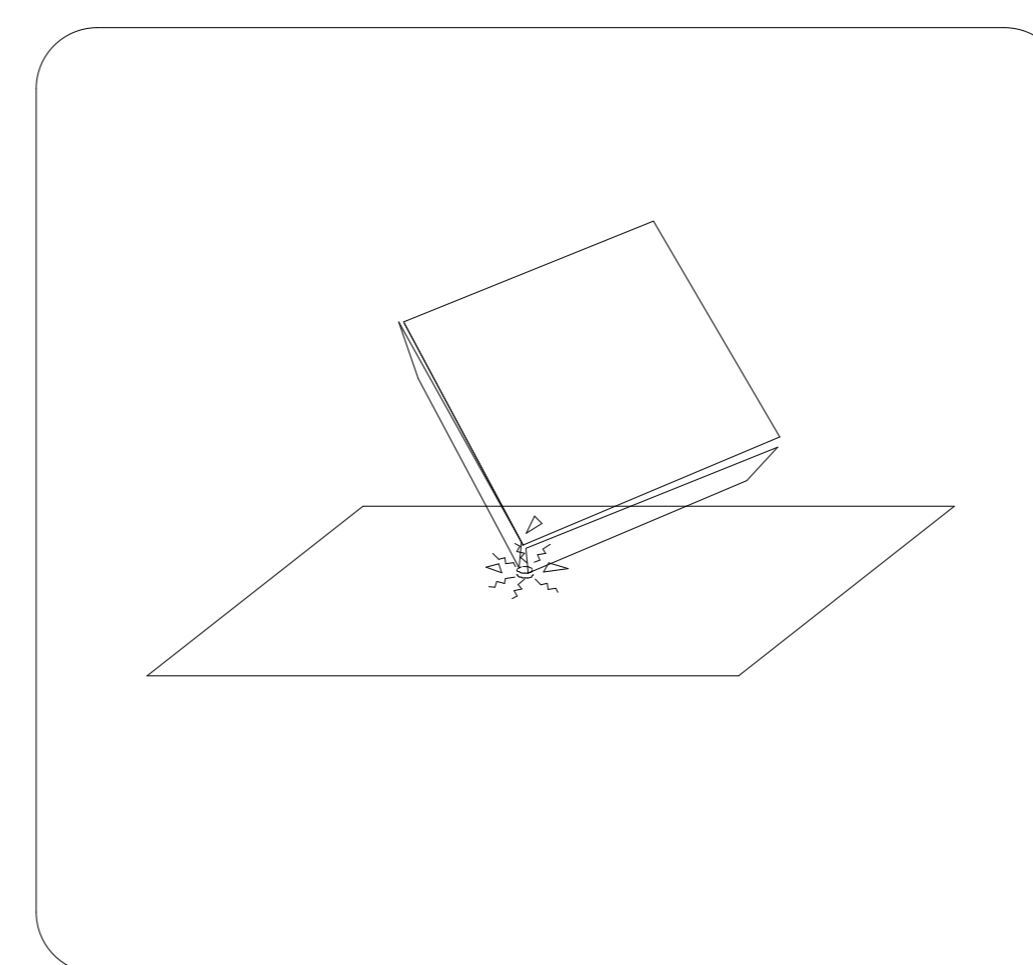
5. Keep away from corrosive substances



6. Pay attention to avoid over-tightening fasteners, or they may induce cracking within the board.



7. Prevent objects from being damaged by immersion in water



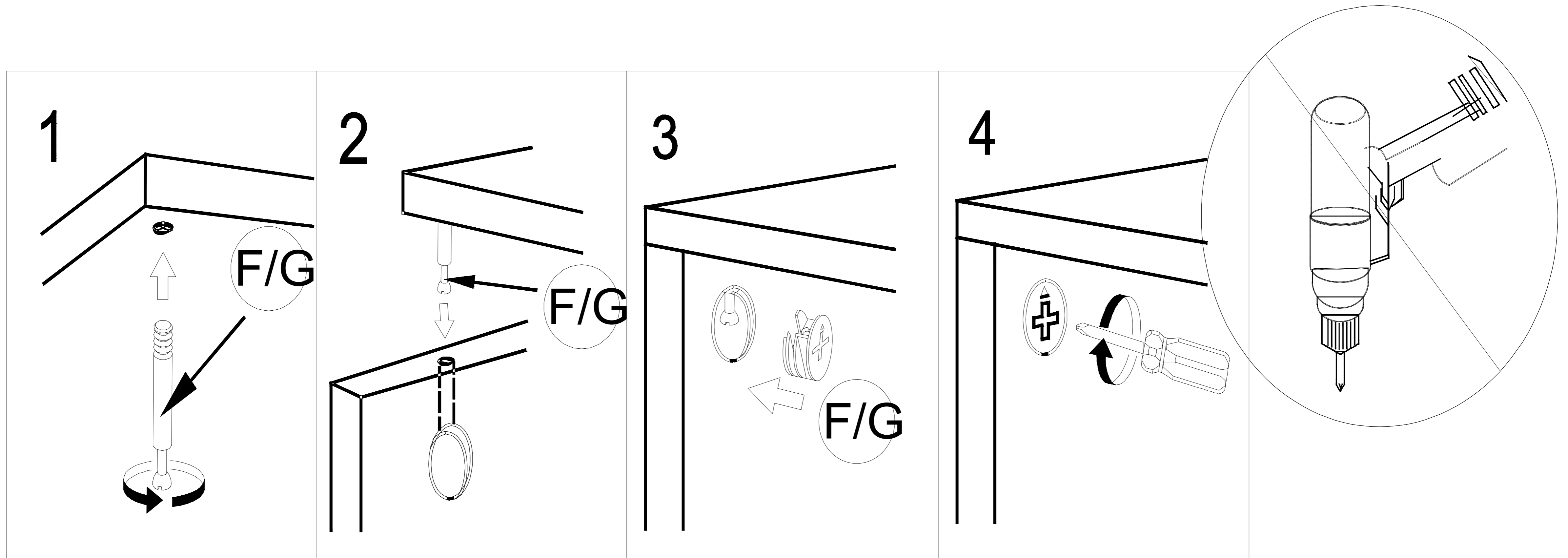
8. Prevent object collision and damage



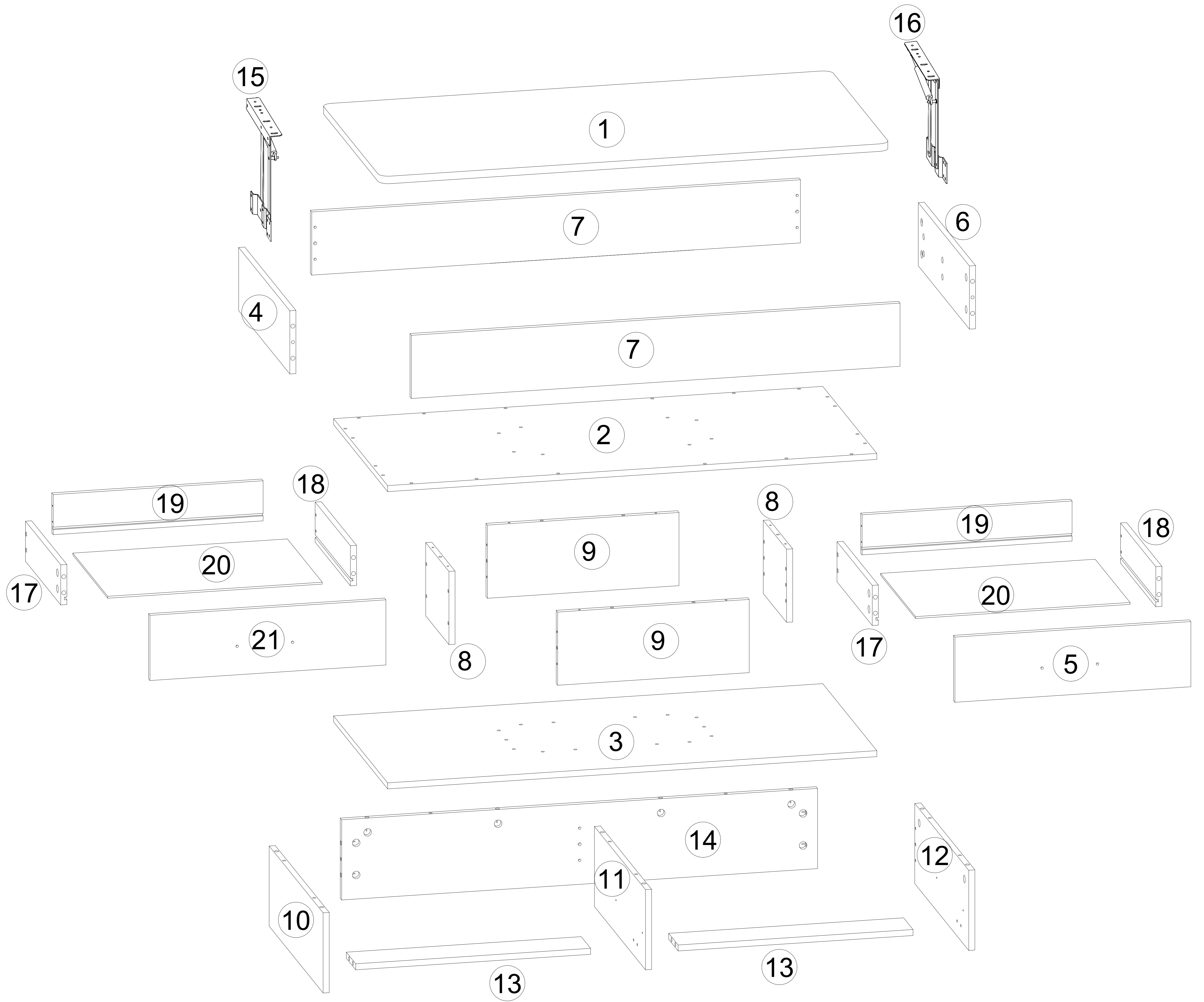
9. Be careful to avoid collisions

Installation of Cams and Pins

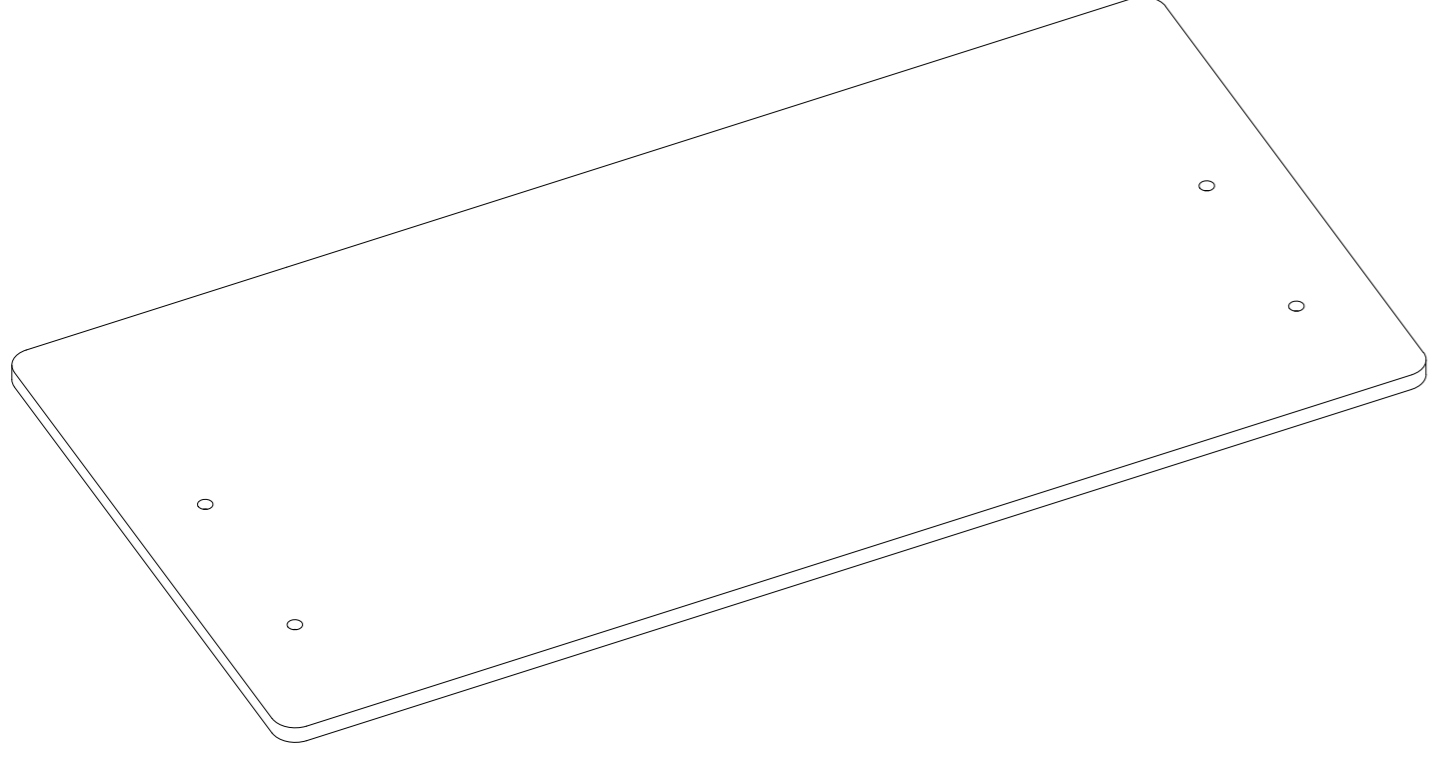
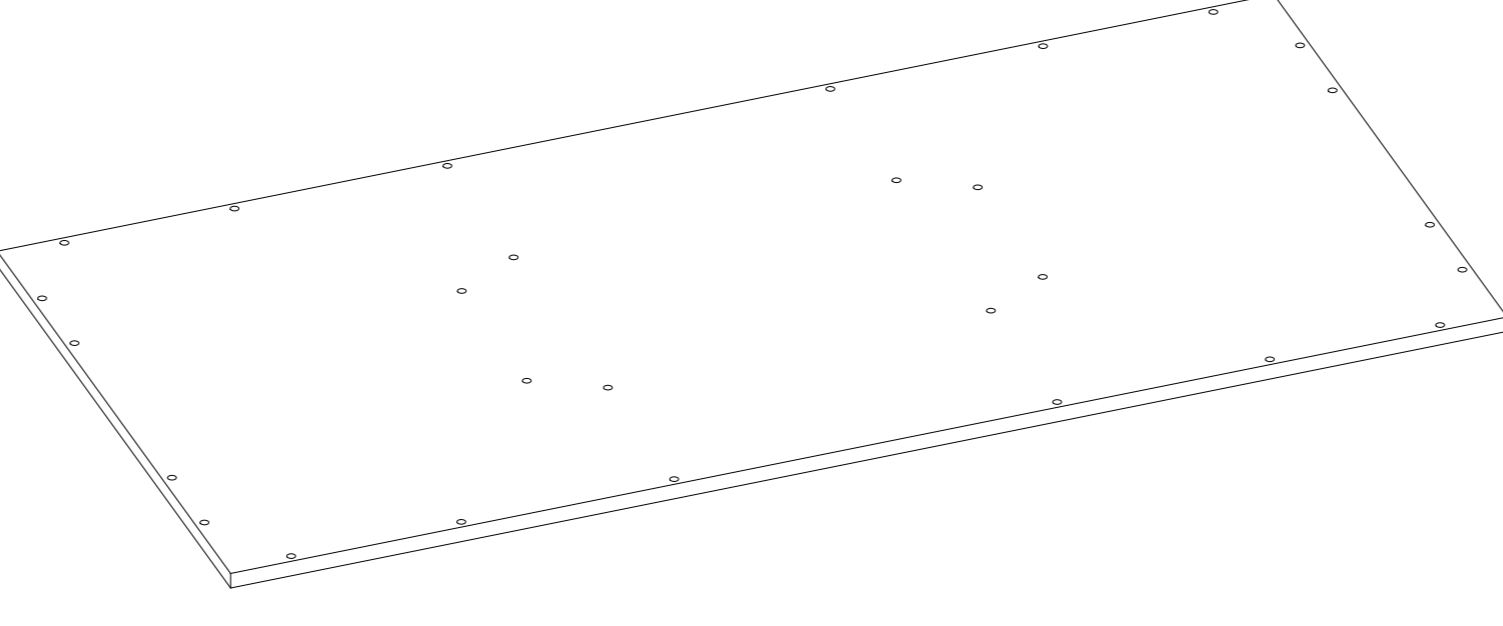
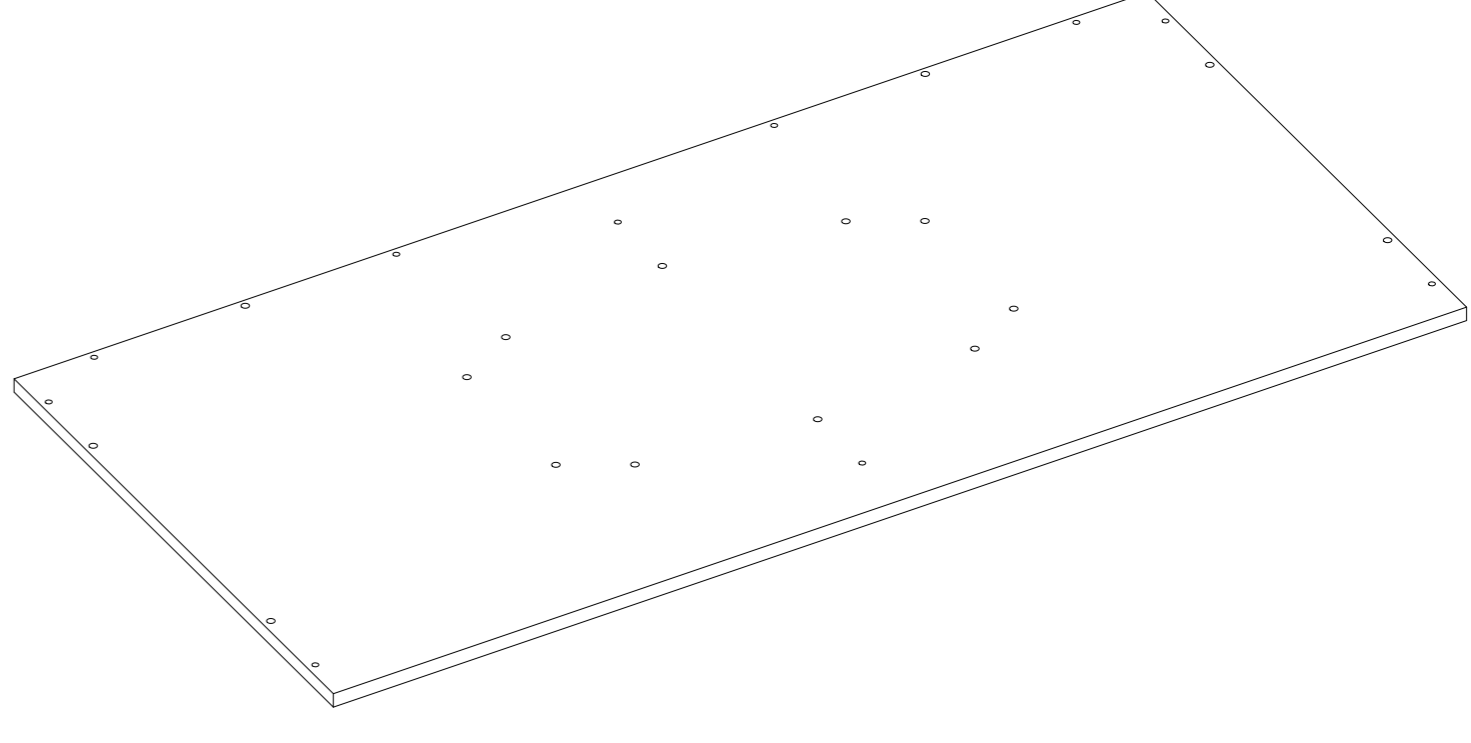
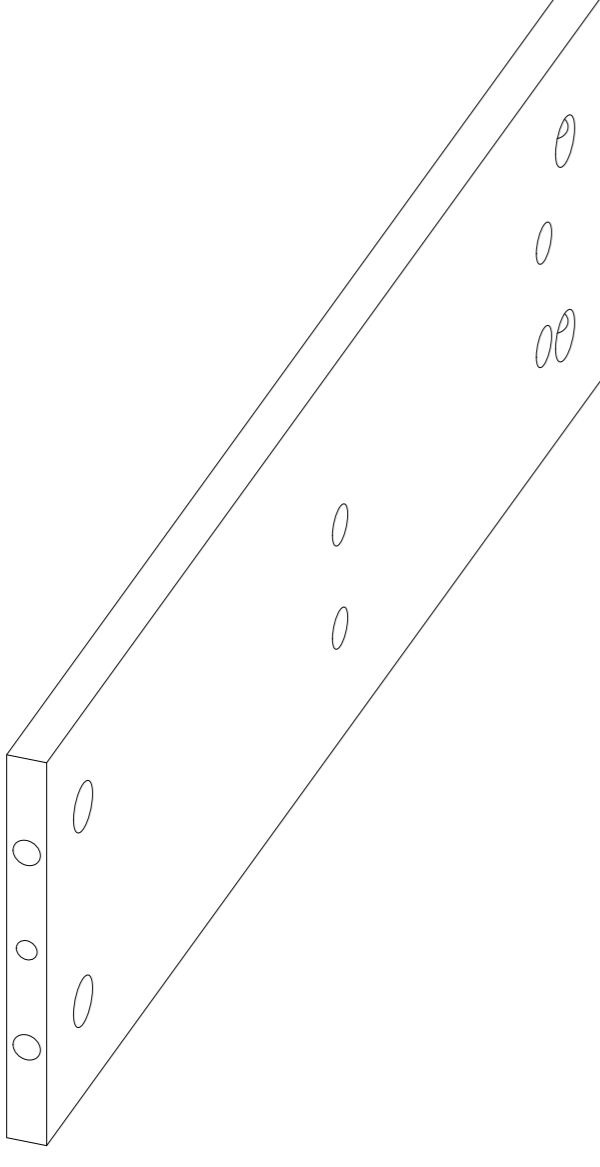
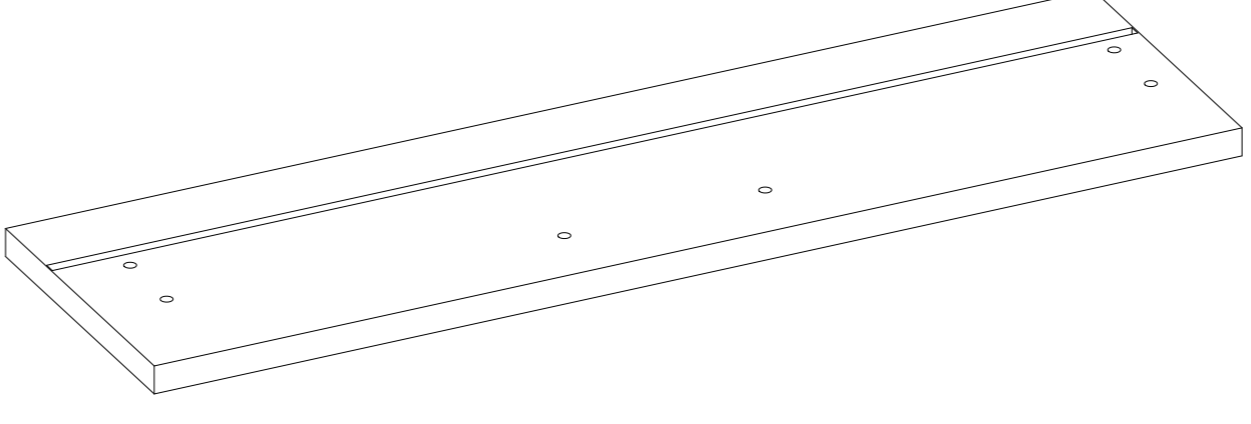
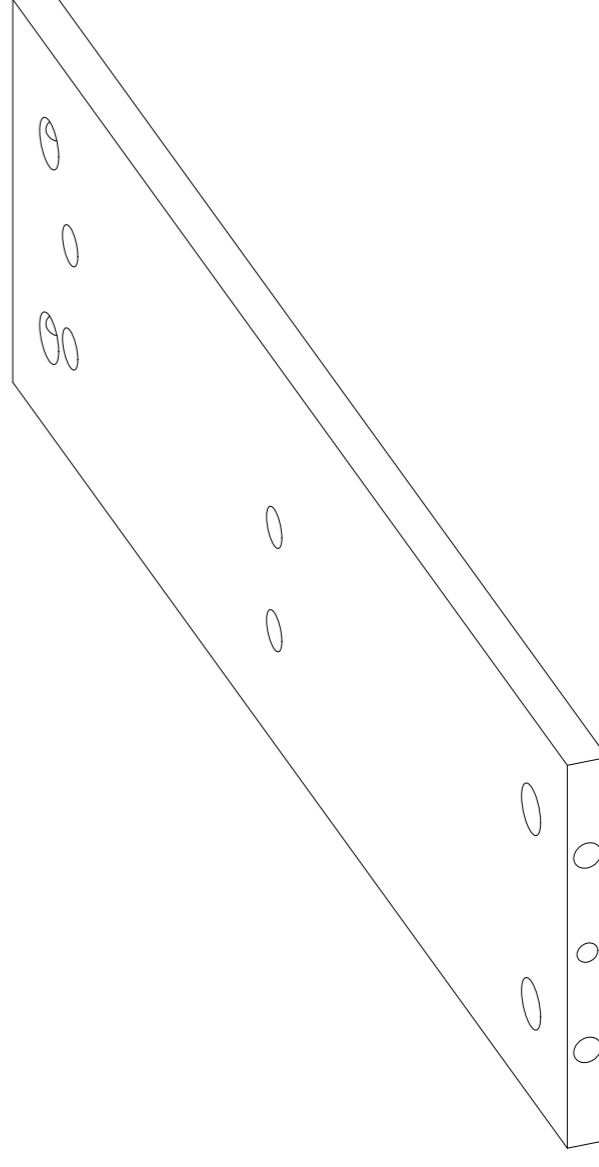
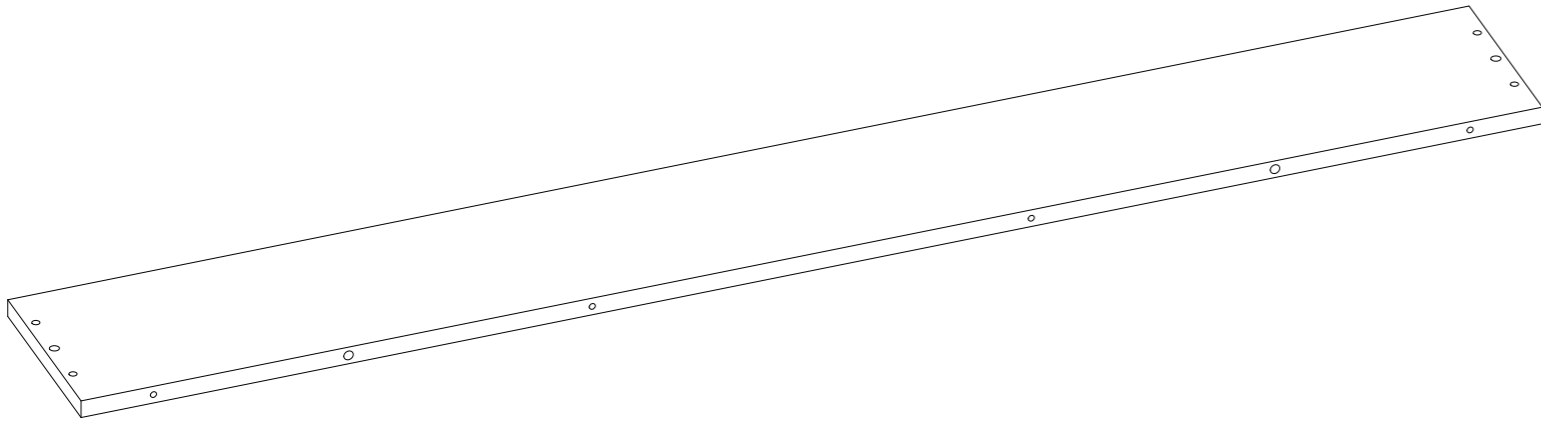
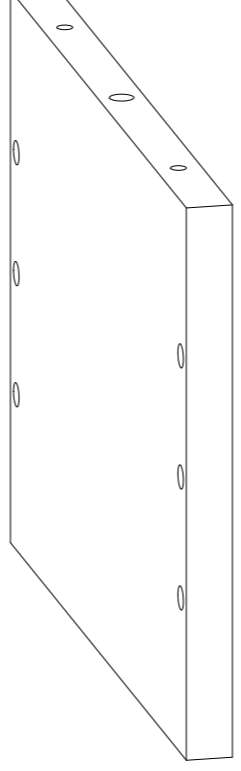
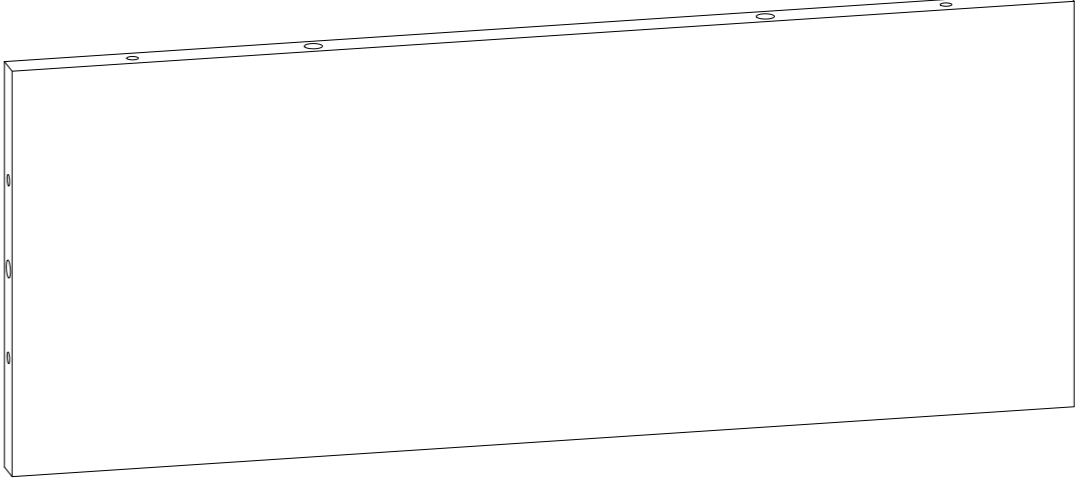
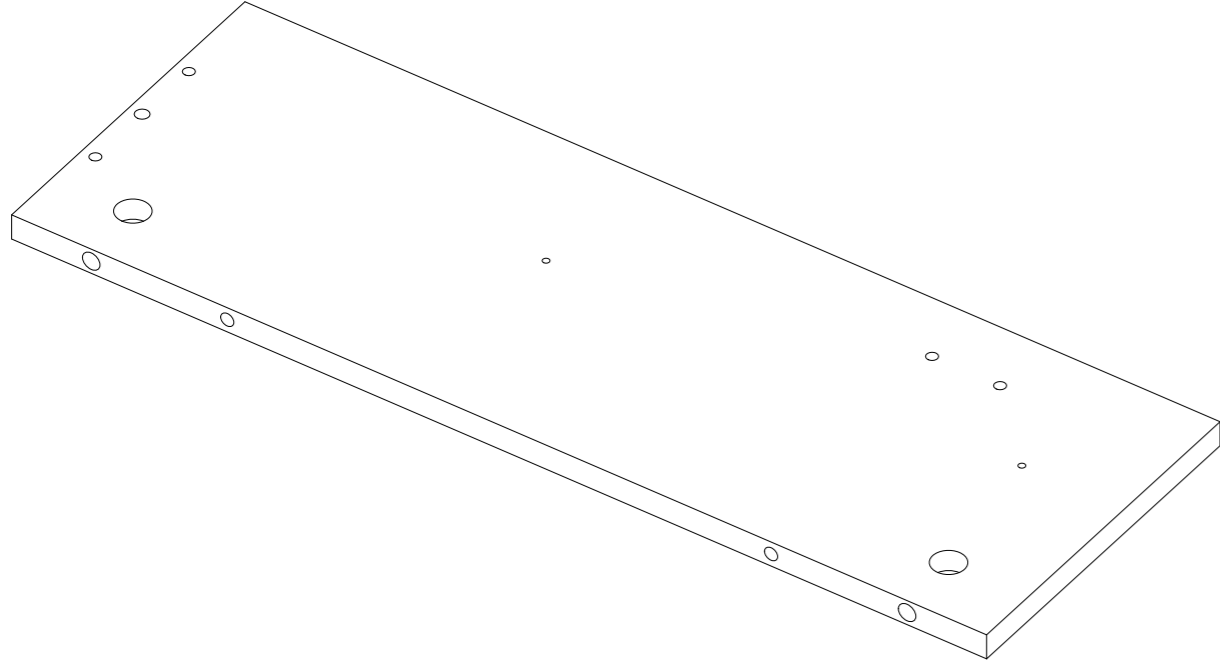
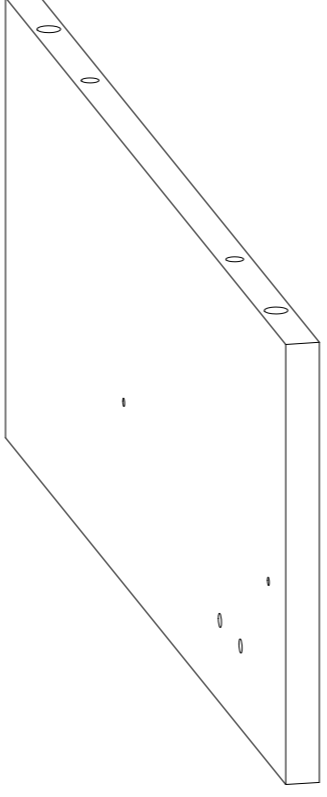
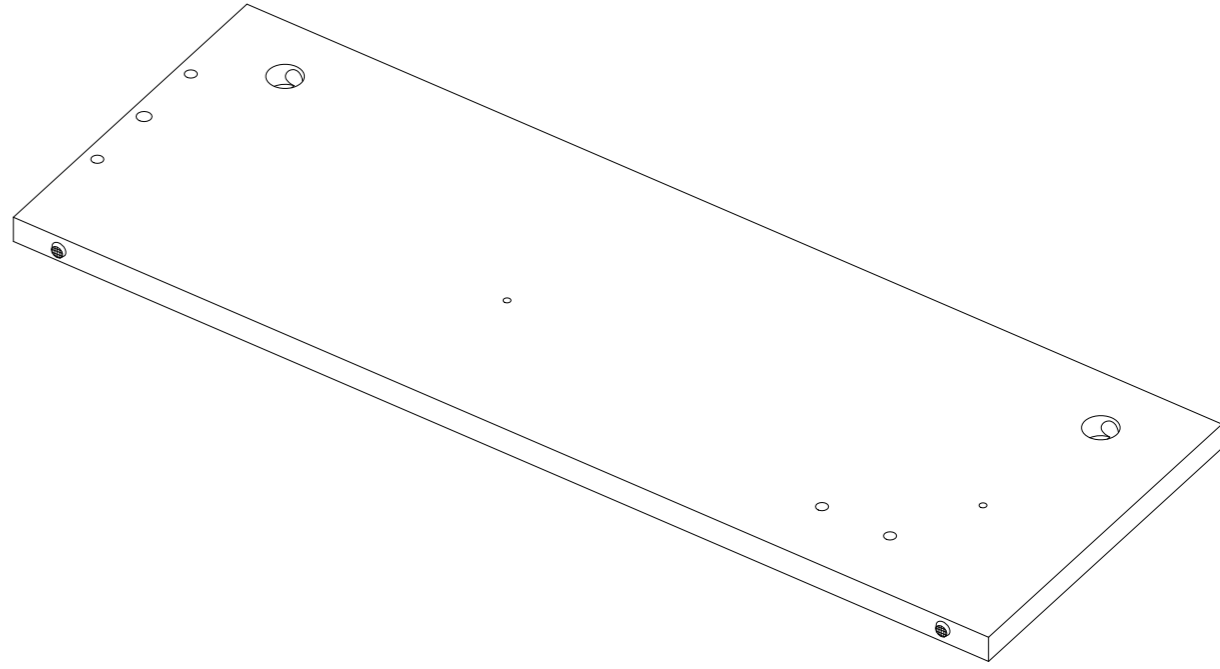
Screw the pin into the hole. To set the cams correctly, ensure that the arrow on the cam is opening o the hole of the pin it is locking. Lock the cam by tturning the cam head with a screwdriver until it is tightened. Please do not use an electric screwdriver to assemble the unit.



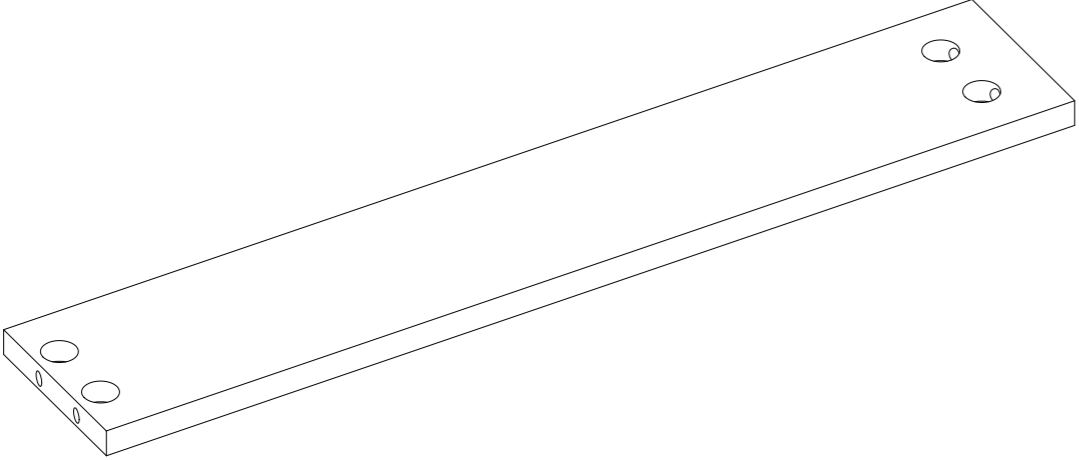
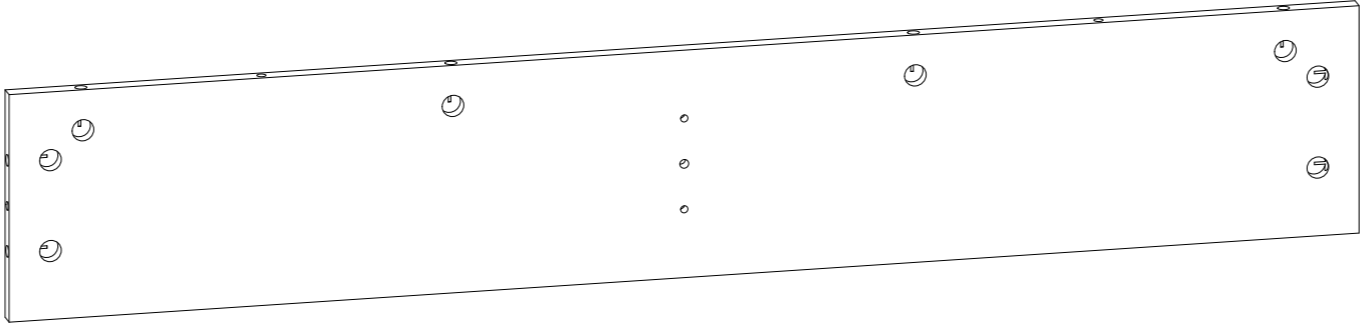
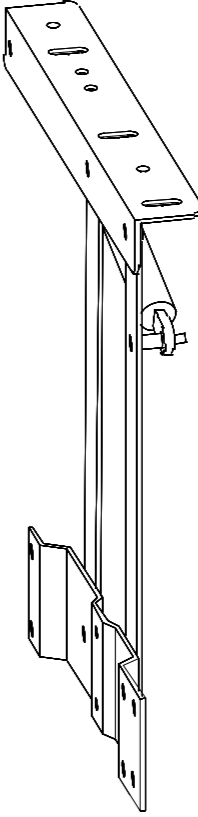
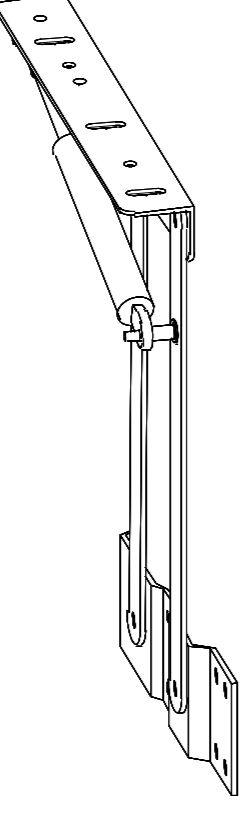
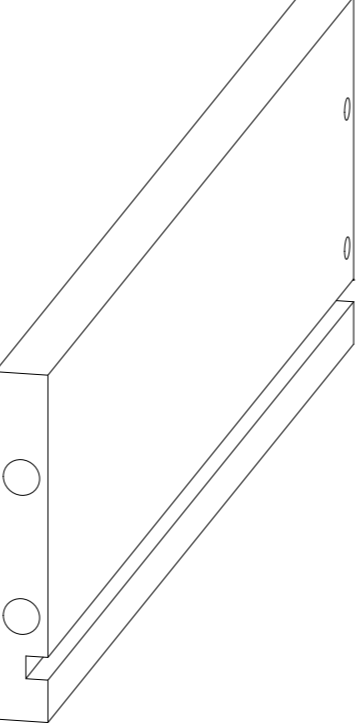
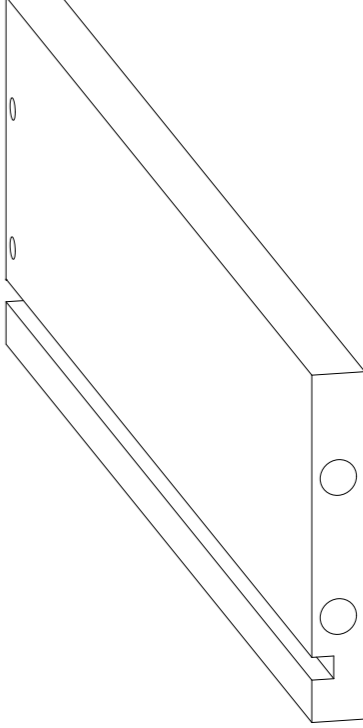
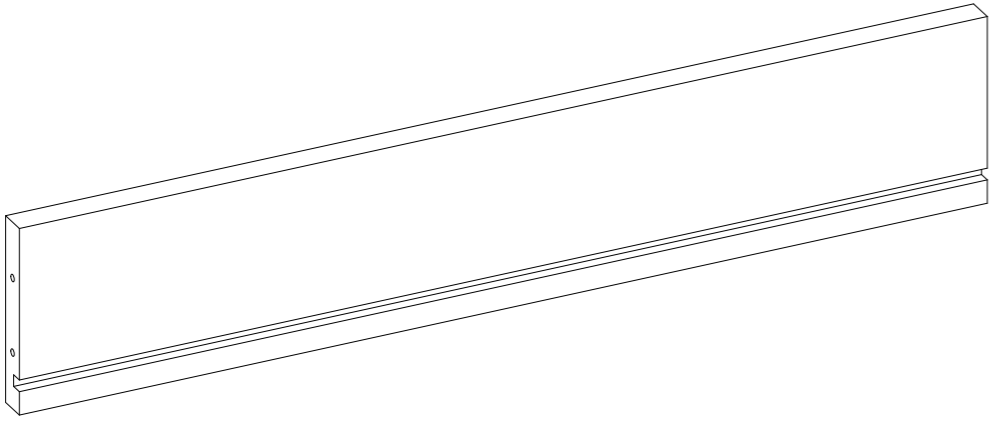
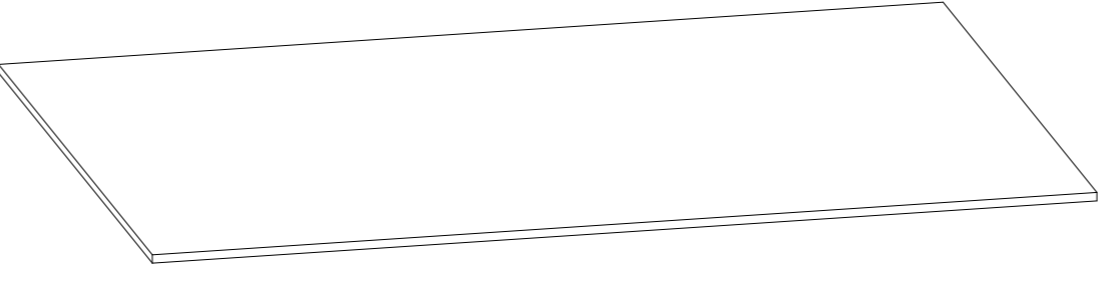
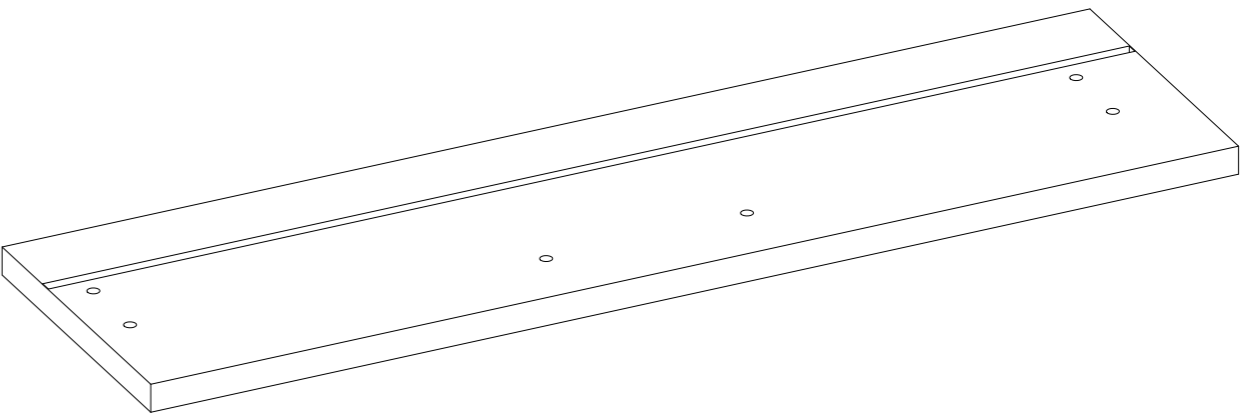
Disassembly Diagram



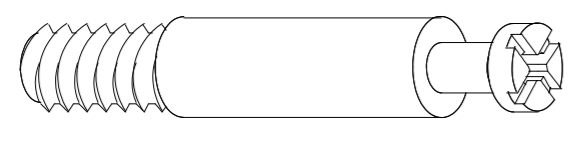
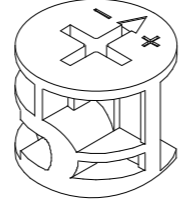
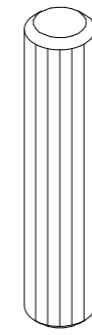
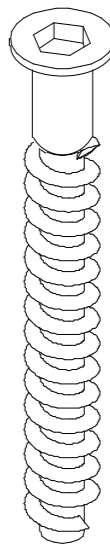
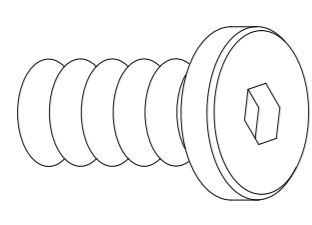
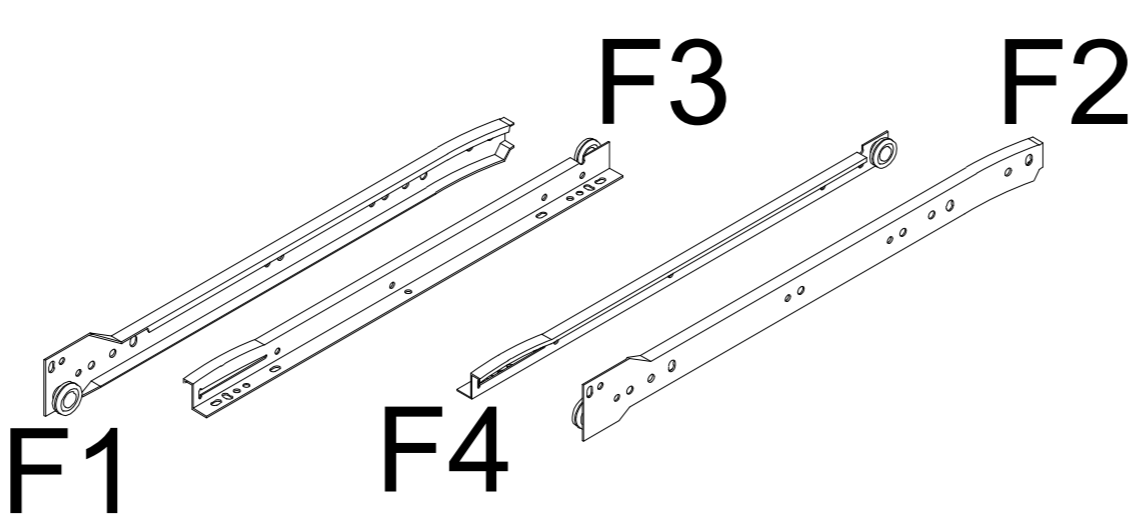
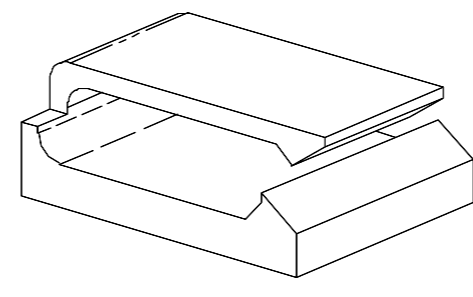
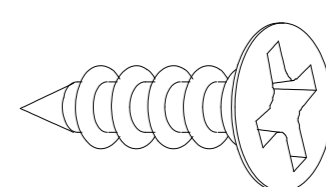
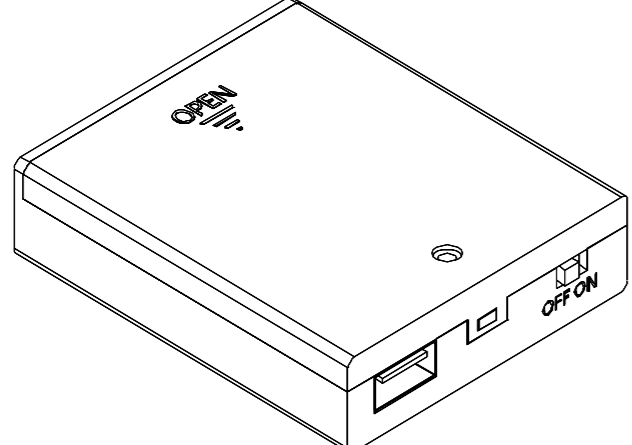
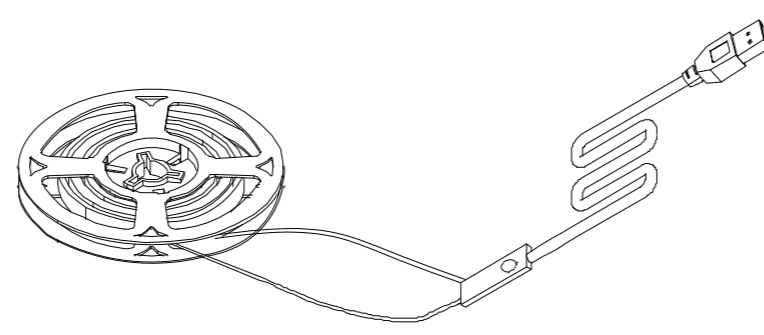
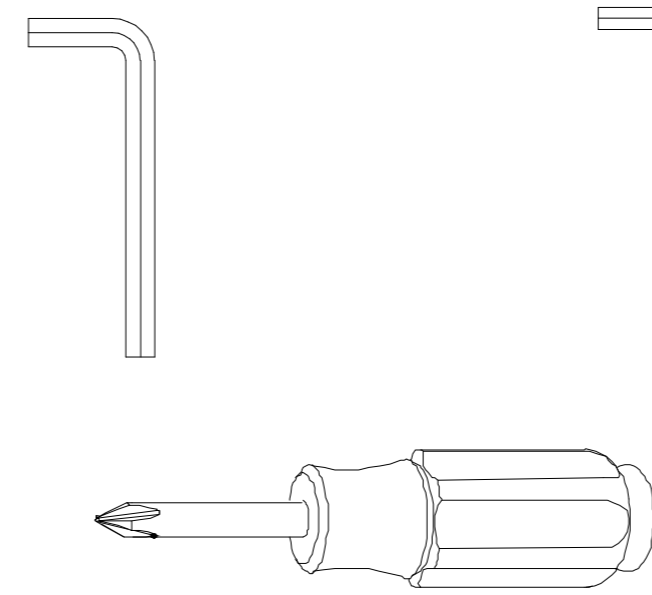
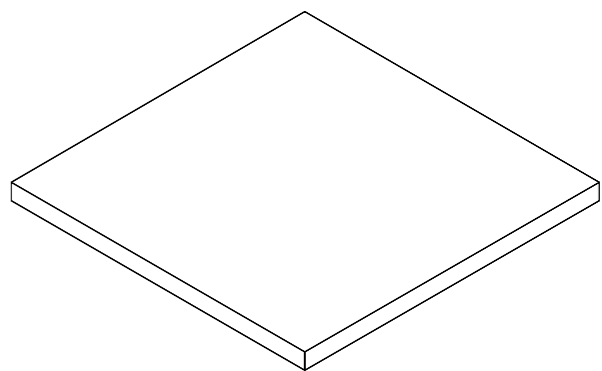
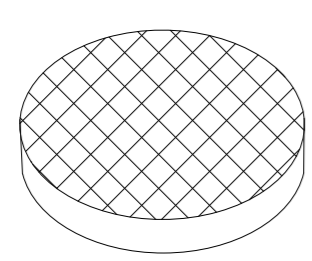
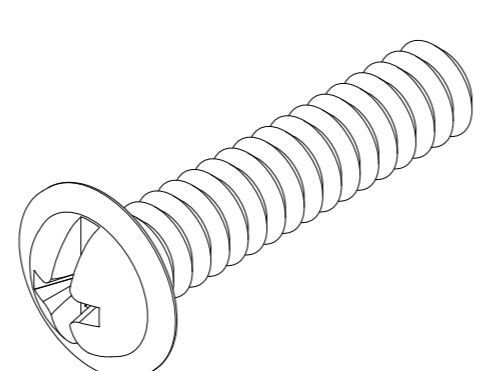
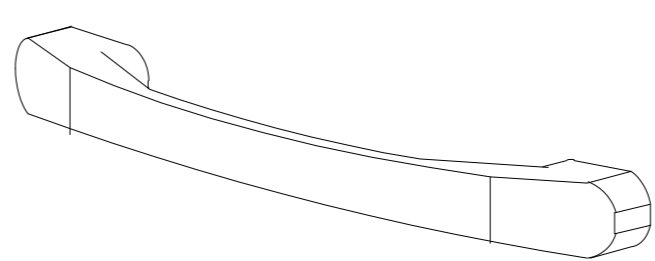
Parts List

<p>1</p> 	<p>2</p> 	<p>3</p> 
<p>4</p> 	<p>5</p> 	<p>6</p> 
<p>7</p>  <p>X2</p>	<p>8</p>  <p>X2</p>	<p>9</p>  <p>X2</p>
<p>10</p> 	<p>11</p> 	<p>12</p> 

Parts List

<p>13</p>  <p>X2</p>	<p>14</p>  <p>X2</p>	<p>15</p>  <p>X2</p>
<p>16</p>  <p>X2</p>	<p>17</p>  <p>X2</p>	<p>18</p>  <p>X2</p>
<p>19</p>  <p>X2</p>	<p>20</p>  <p>X2</p>	<p>21</p>  <p>X2</p>

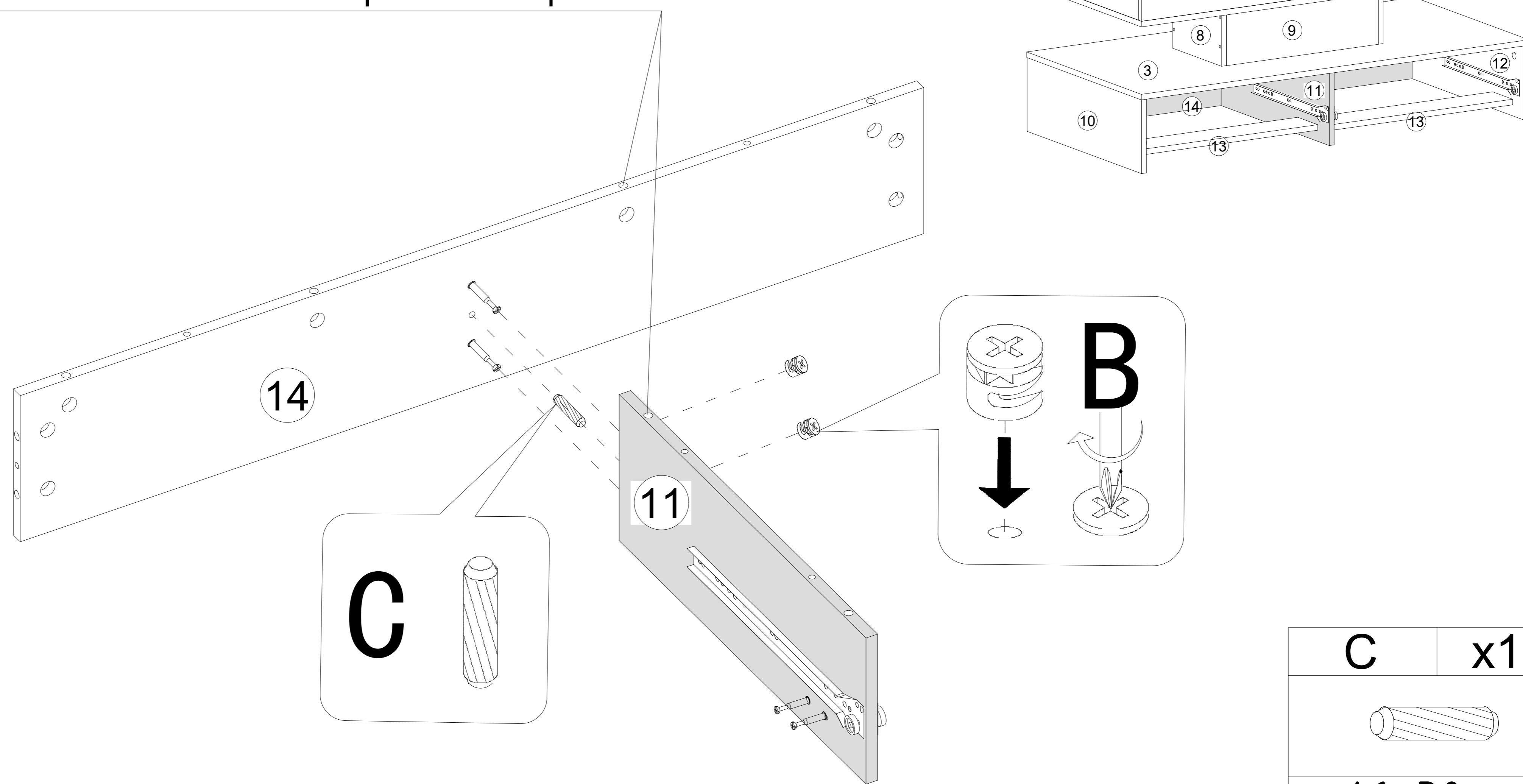
Tool sheet

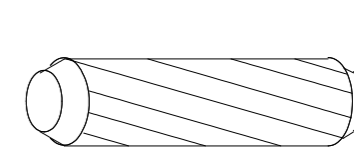
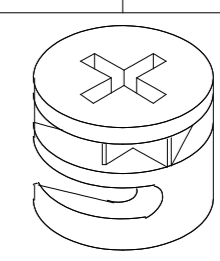
<p>A Ø6x35MM</p>  <p>X40+3</p>	<p>B Ø15x10MM</p>  <p>X40+3</p>	<p>C Ø6x30MM</p>  <p>X39+3</p>	<p>D Ø5x40MM</p>  <p>X44+3</p>
<p>E M5x10MM</p>  <p>X12+1</p>	<p>F</p>  <p>300mm X2</p>	<p>G</p>  <p>X8+1</p>	<p>H M3.5x12MM</p>  <p>X16+2</p>
<p>I</p>  <p>X1</p>	<p>J</p>  <p>0.85M X1</p>	<p>K M4 M3</p>  <p>X1</p>	<p>L</p>  <p>X1</p>
<p>M</p>  <p>X8+1</p>	<p>N M4x15MM</p>  <p>X4</p>	<p>O</p>  <p>X2</p>	

ASSEMBLY INSTRUCTION

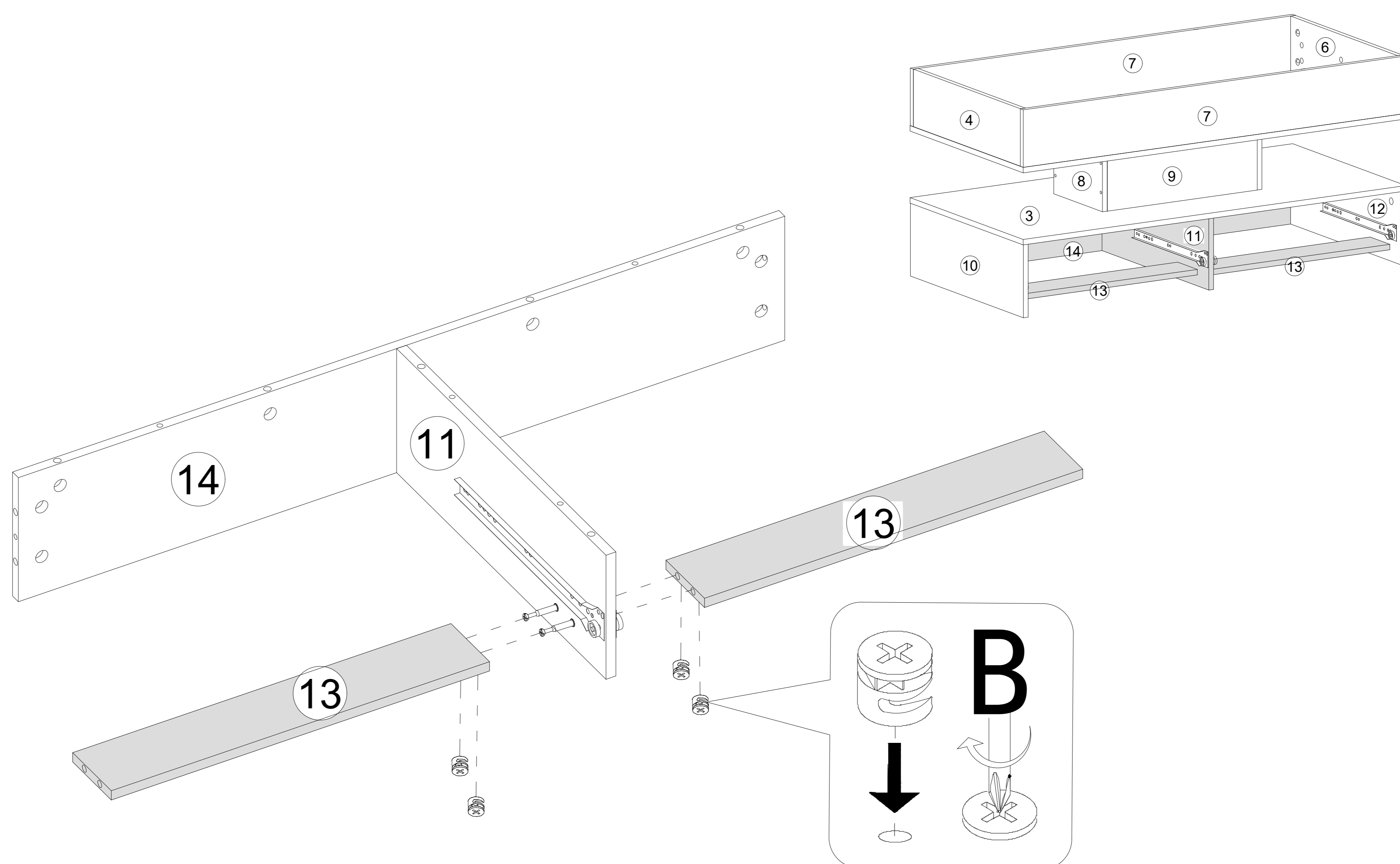
Step 3

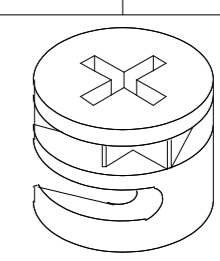
The holes of No.14 and No.11 plates are upward.



C	x1
	
$\phi 6 \times 30 \text{mm}$	
B	x2
	
$\phi 15 \times 10 \text{mm}$	

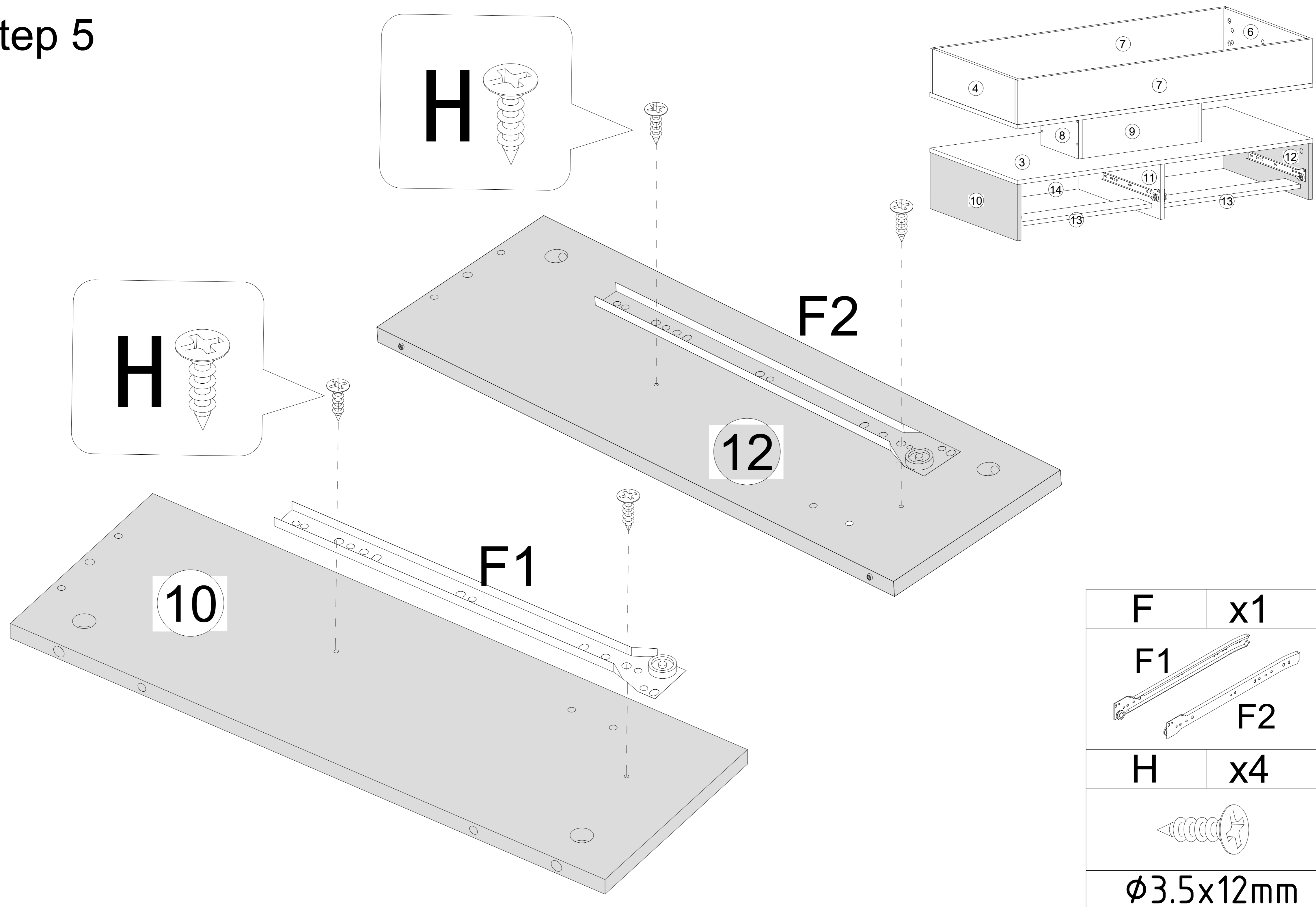
Step 4



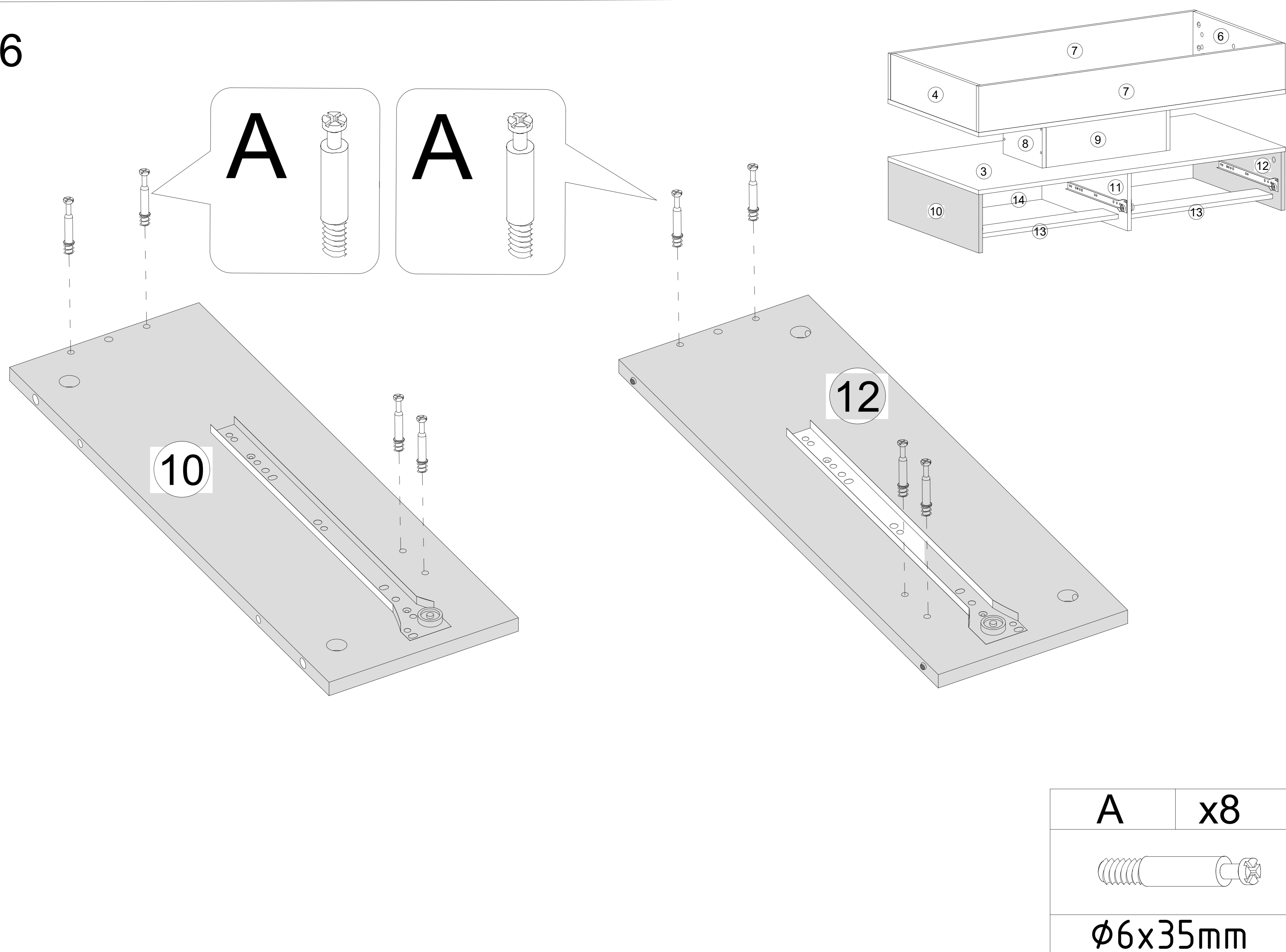
B	x4
	
$\phi 15 \times 10 \text{mm}$	

ASSEMBLY INSTRUCTION

Step 5

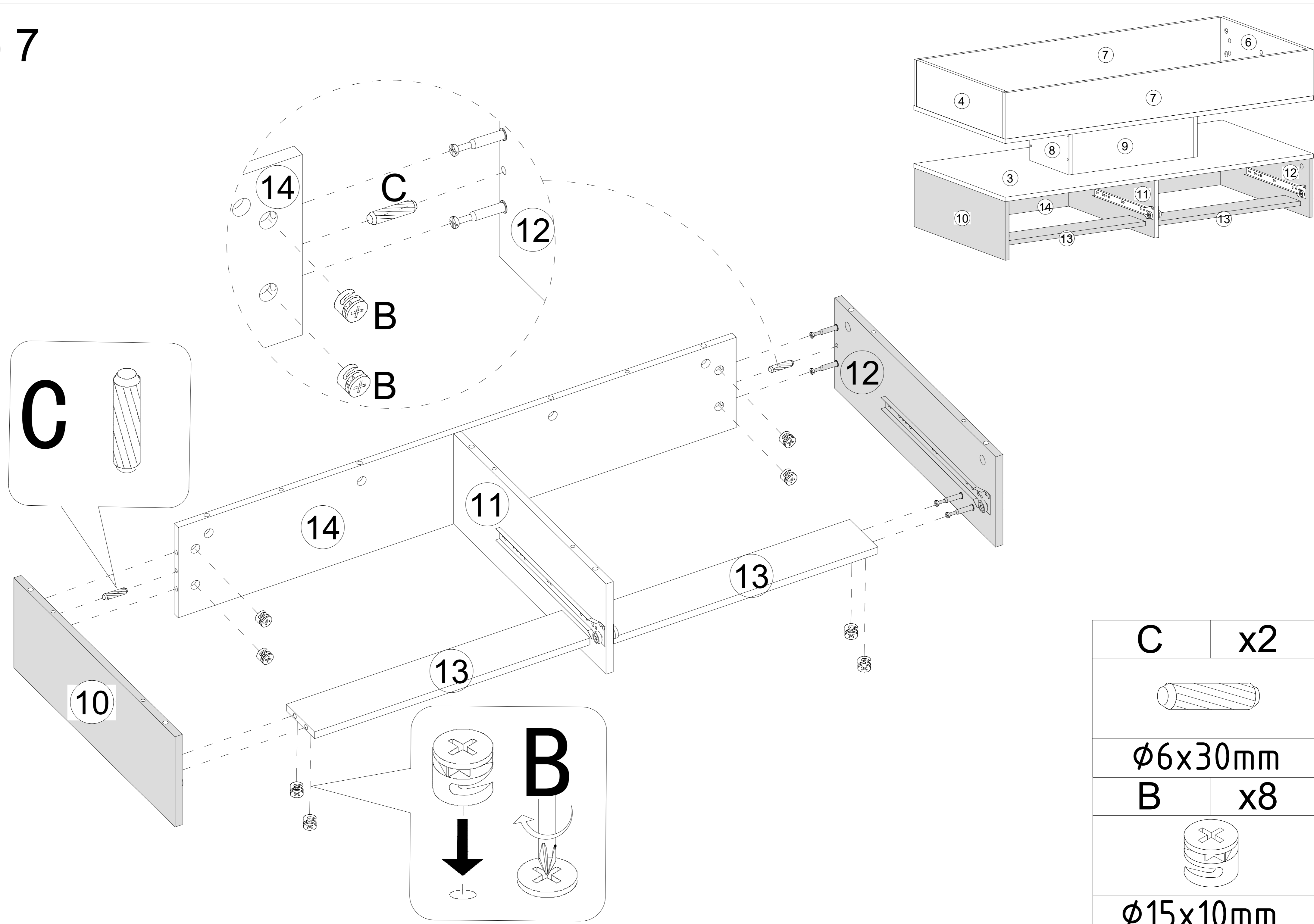



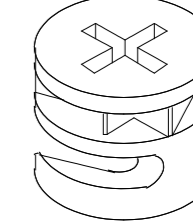
Step 6



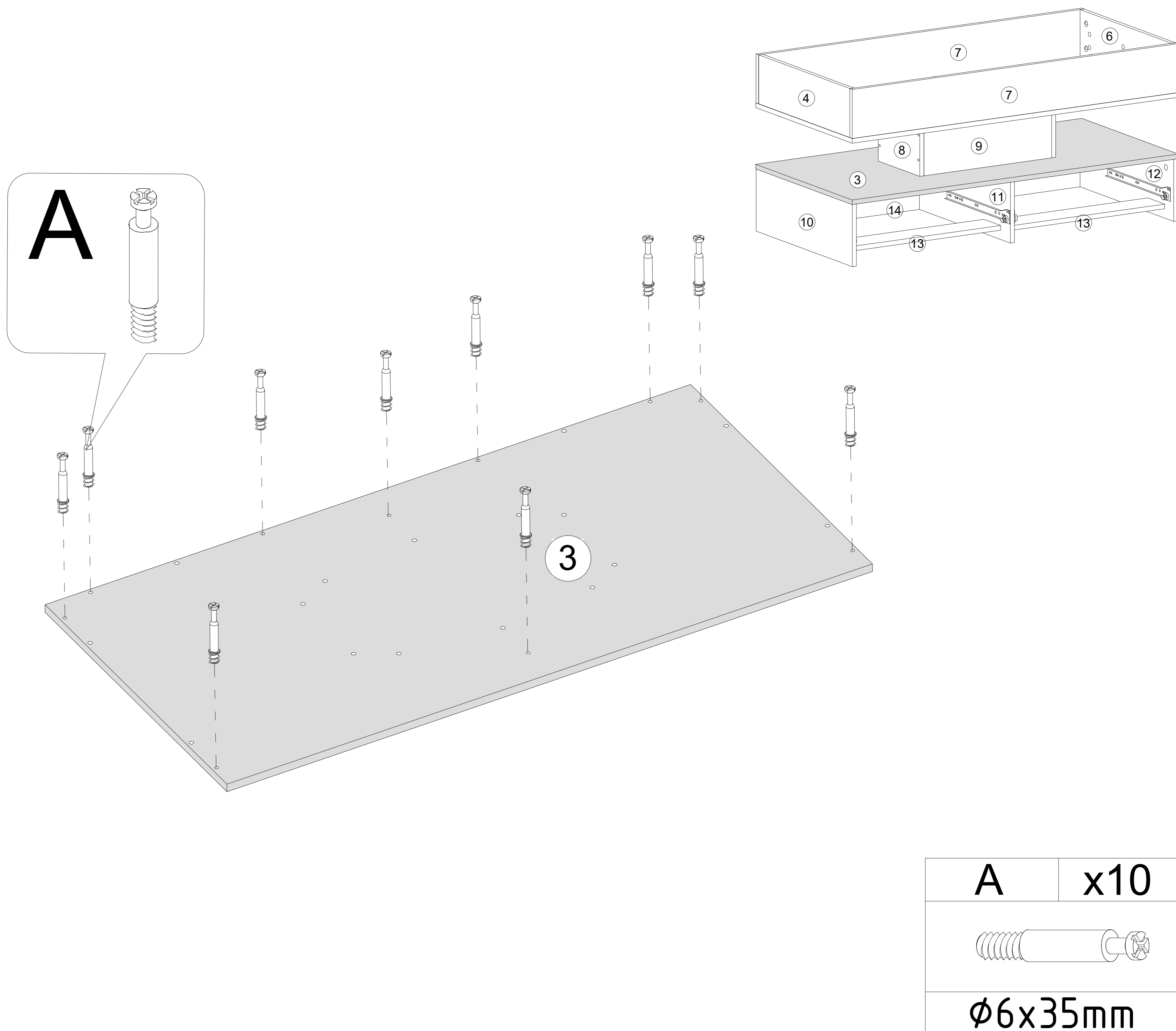
ASSEMBLY INSTRUCTION

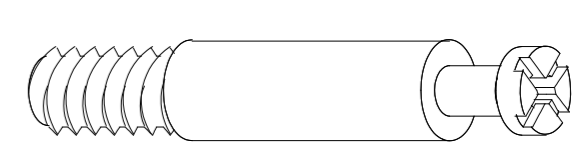
Step 7



C	x2
	
$\phi 6 \times 30 \text{mm}$	
B	x8
	
$\phi 15 \times 10 \text{mm}$	

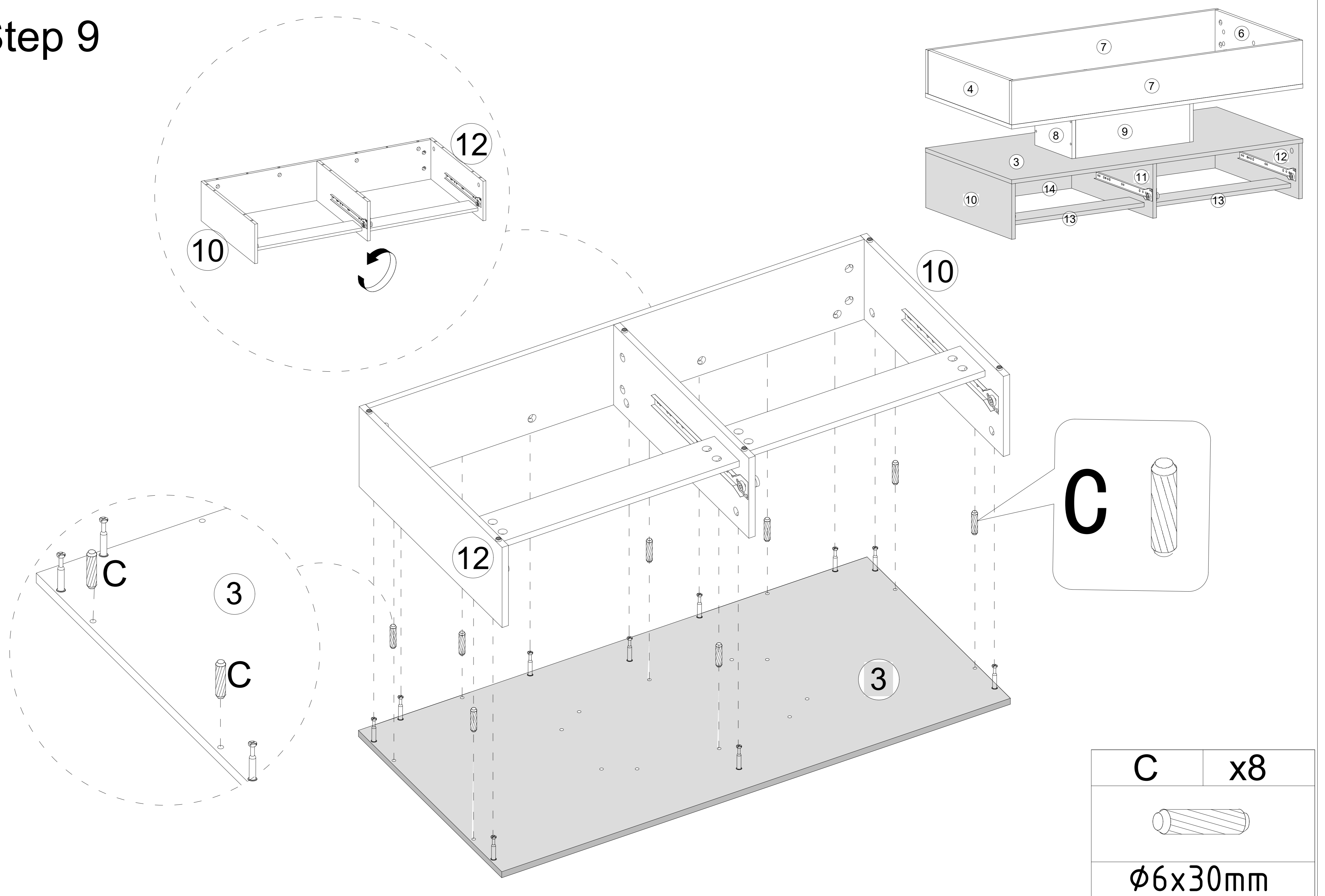
Step 8



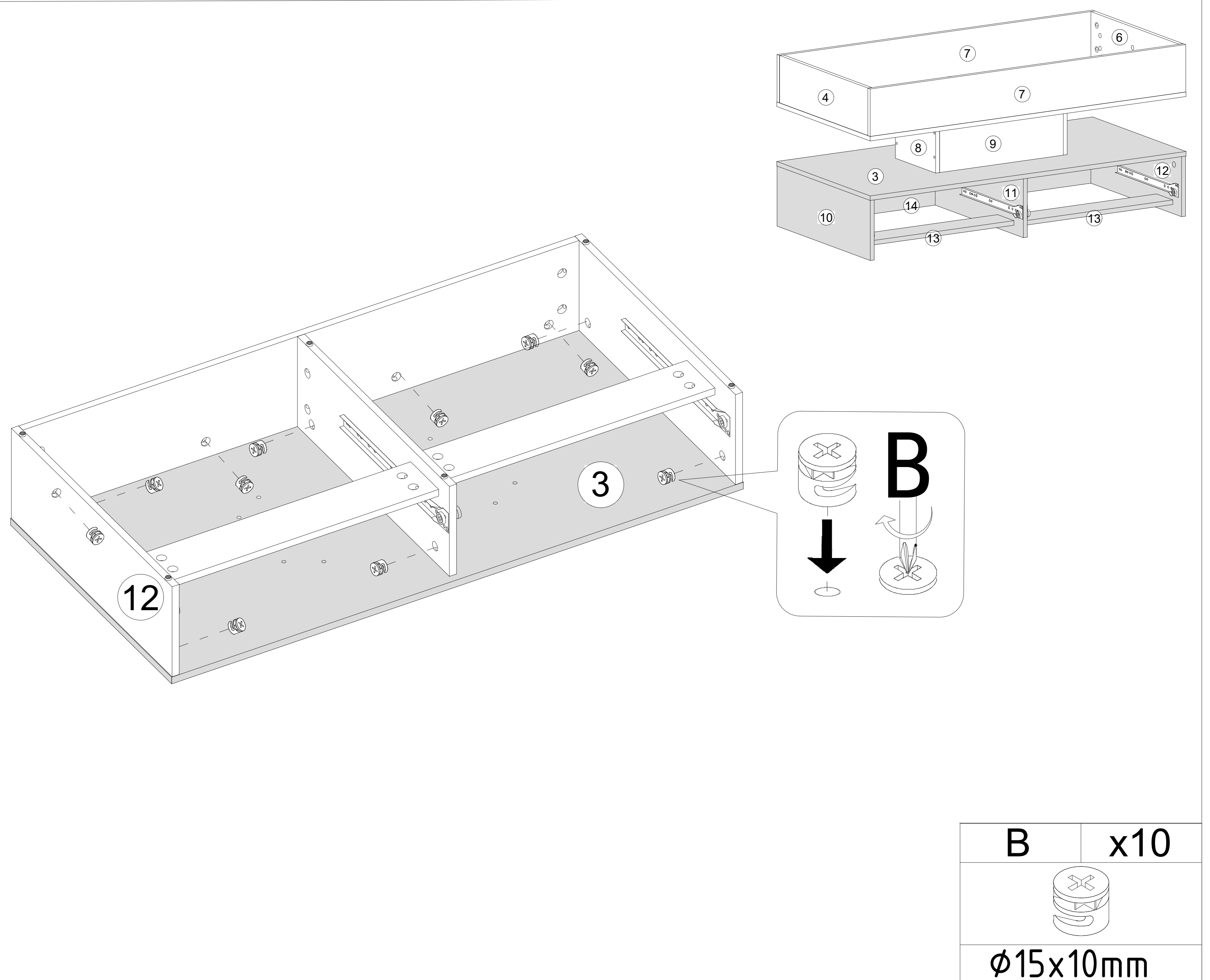
A	x10
	
$\phi 6 \times 35 \text{mm}$	

ASSEMBLY INSTRUCTION

Step 9

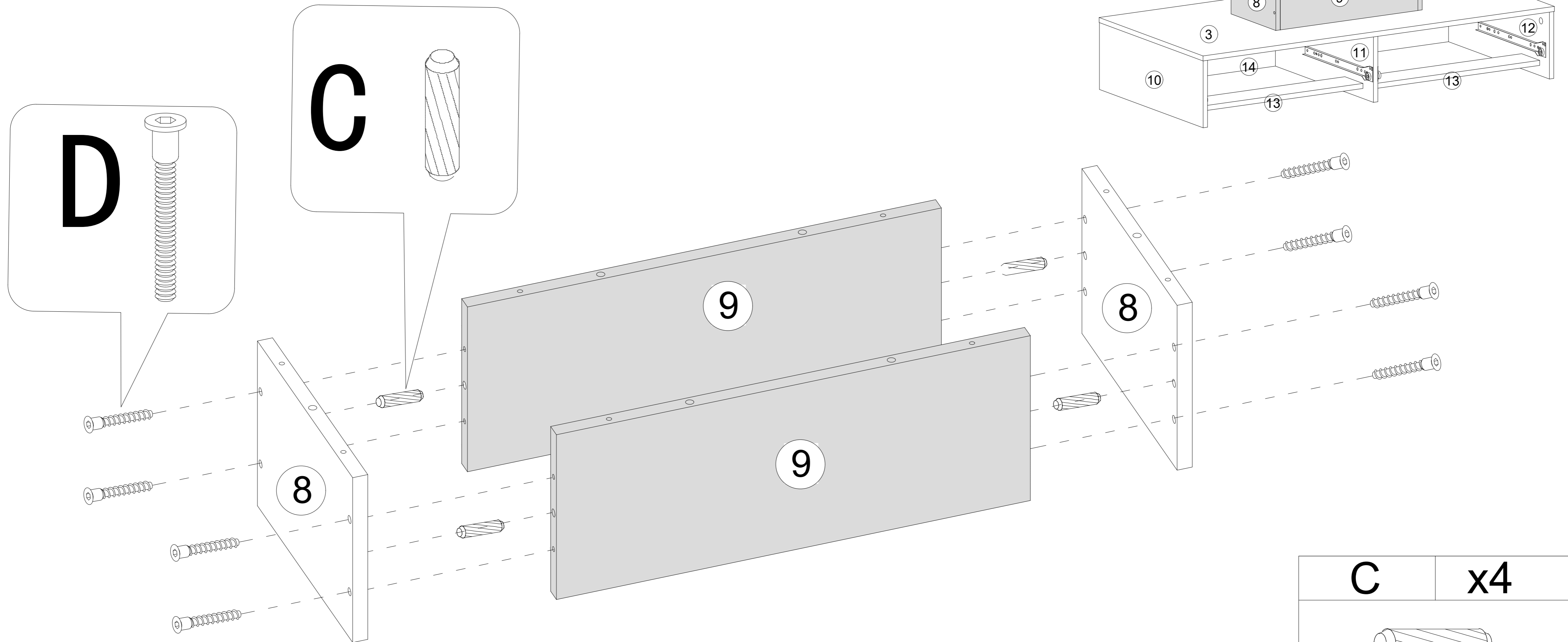


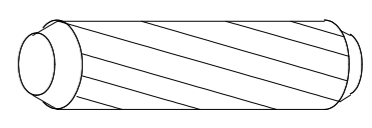
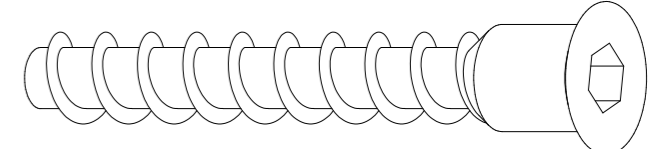
Step 10



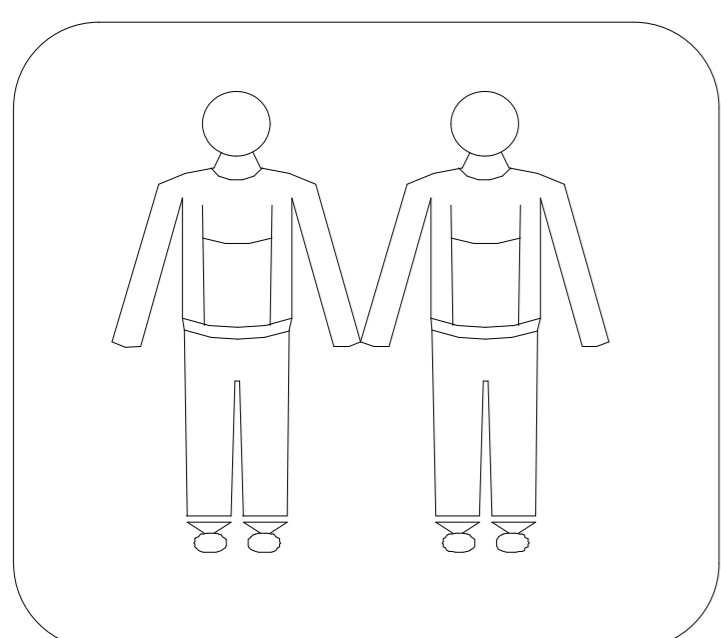
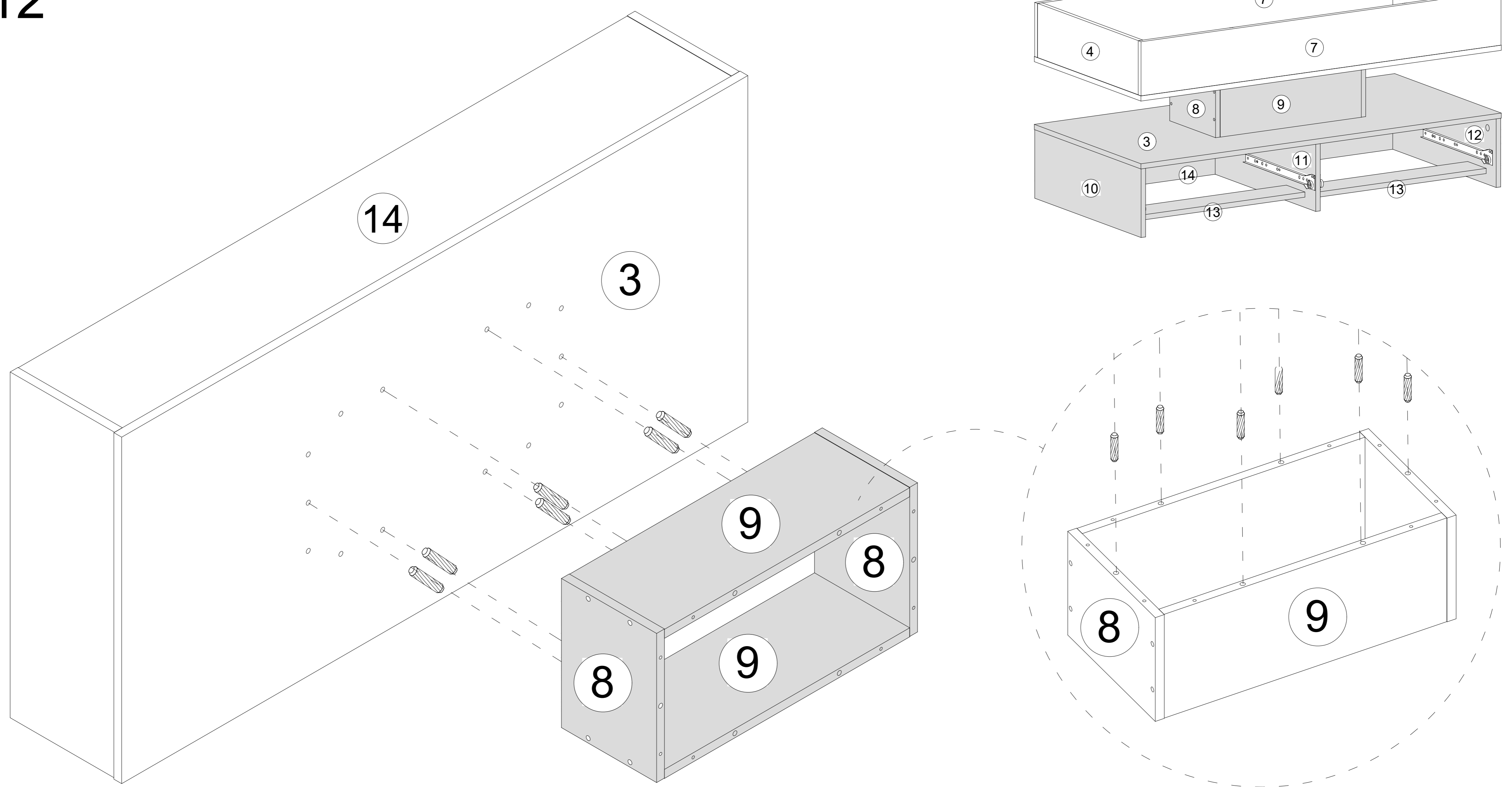
ASSEMBLY INSTRUCTION

Step 11

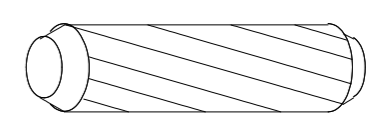


C	x4
	
ø6x30mm	
D	x8
	
ø5x40mm	

Step 12

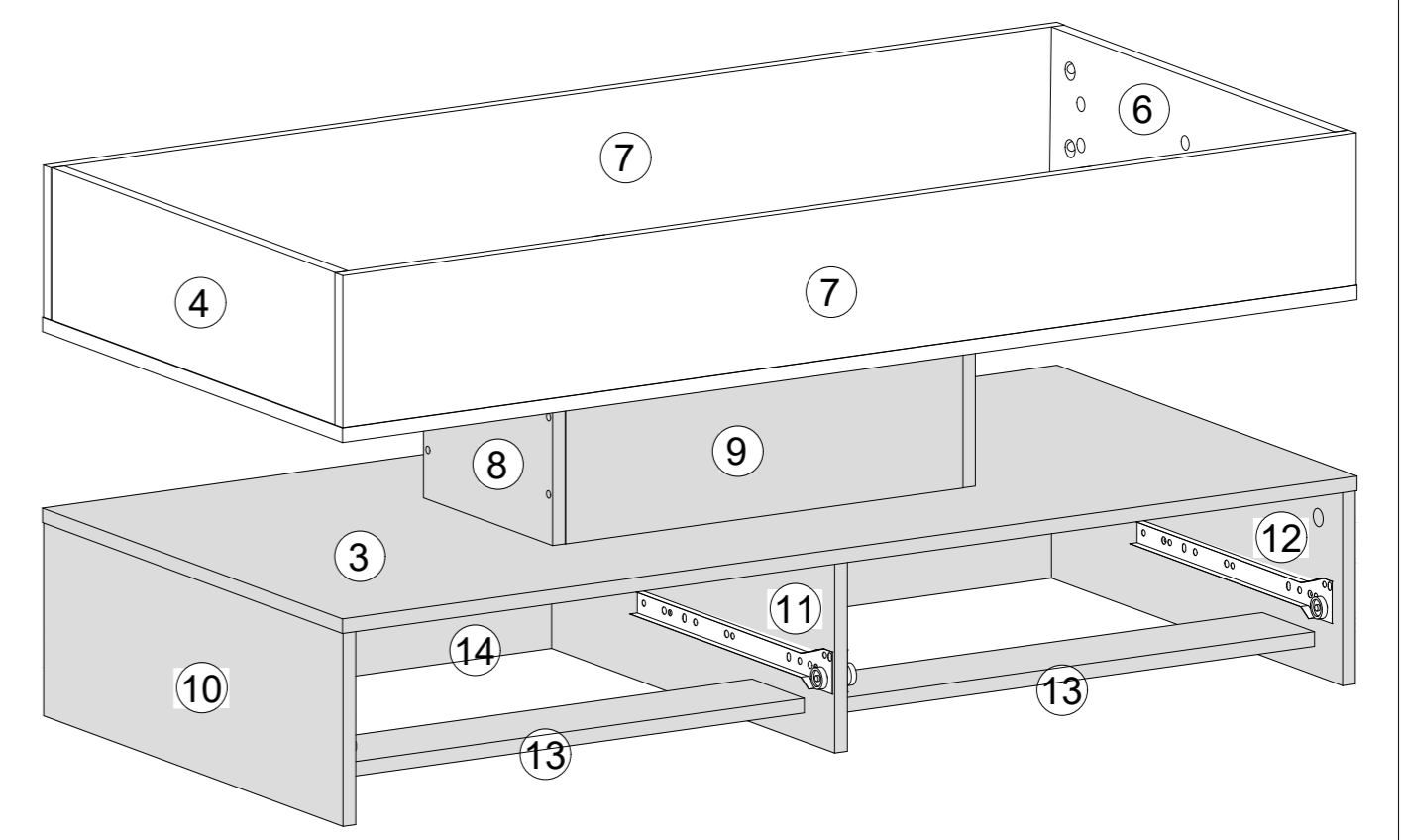
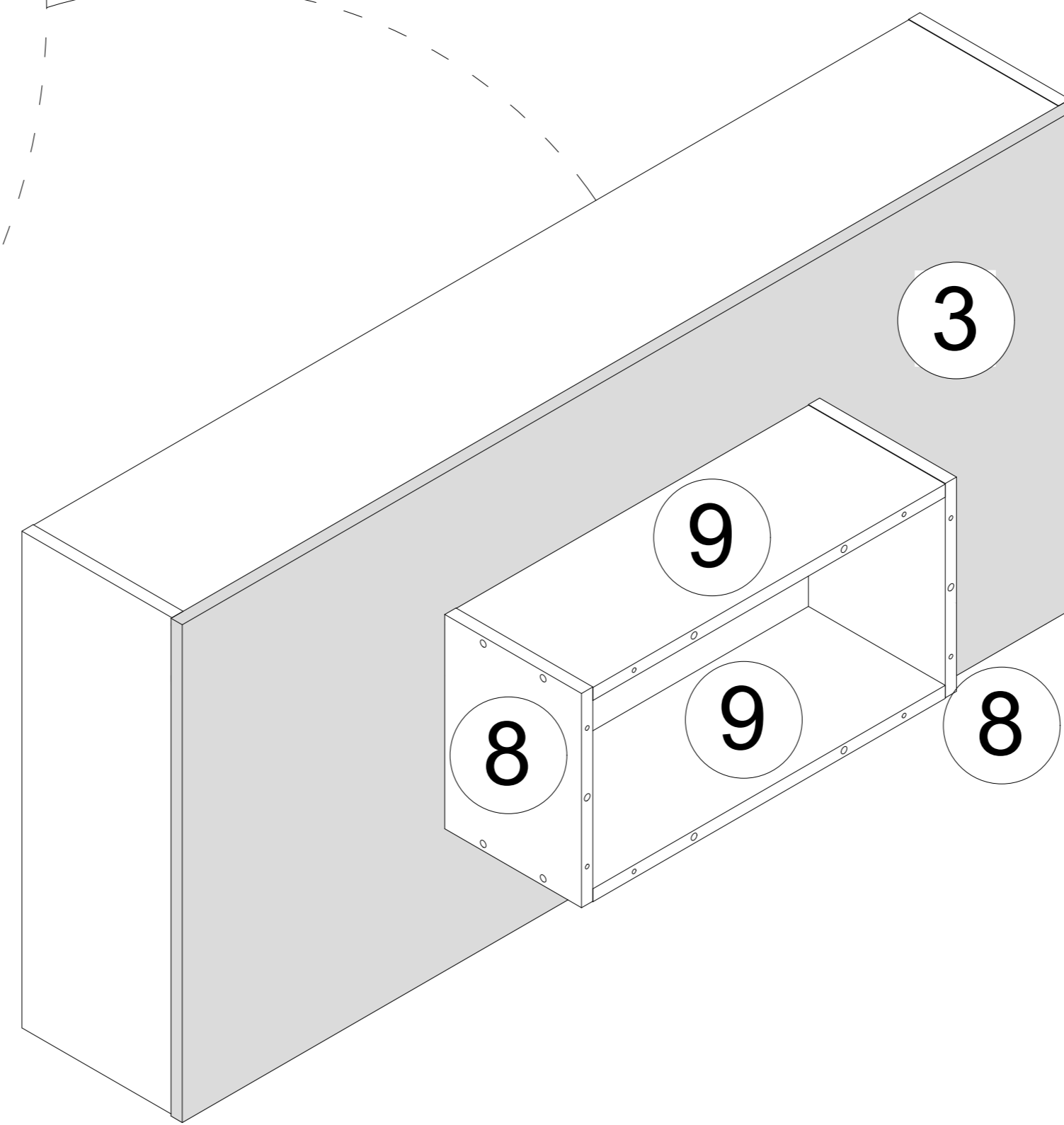
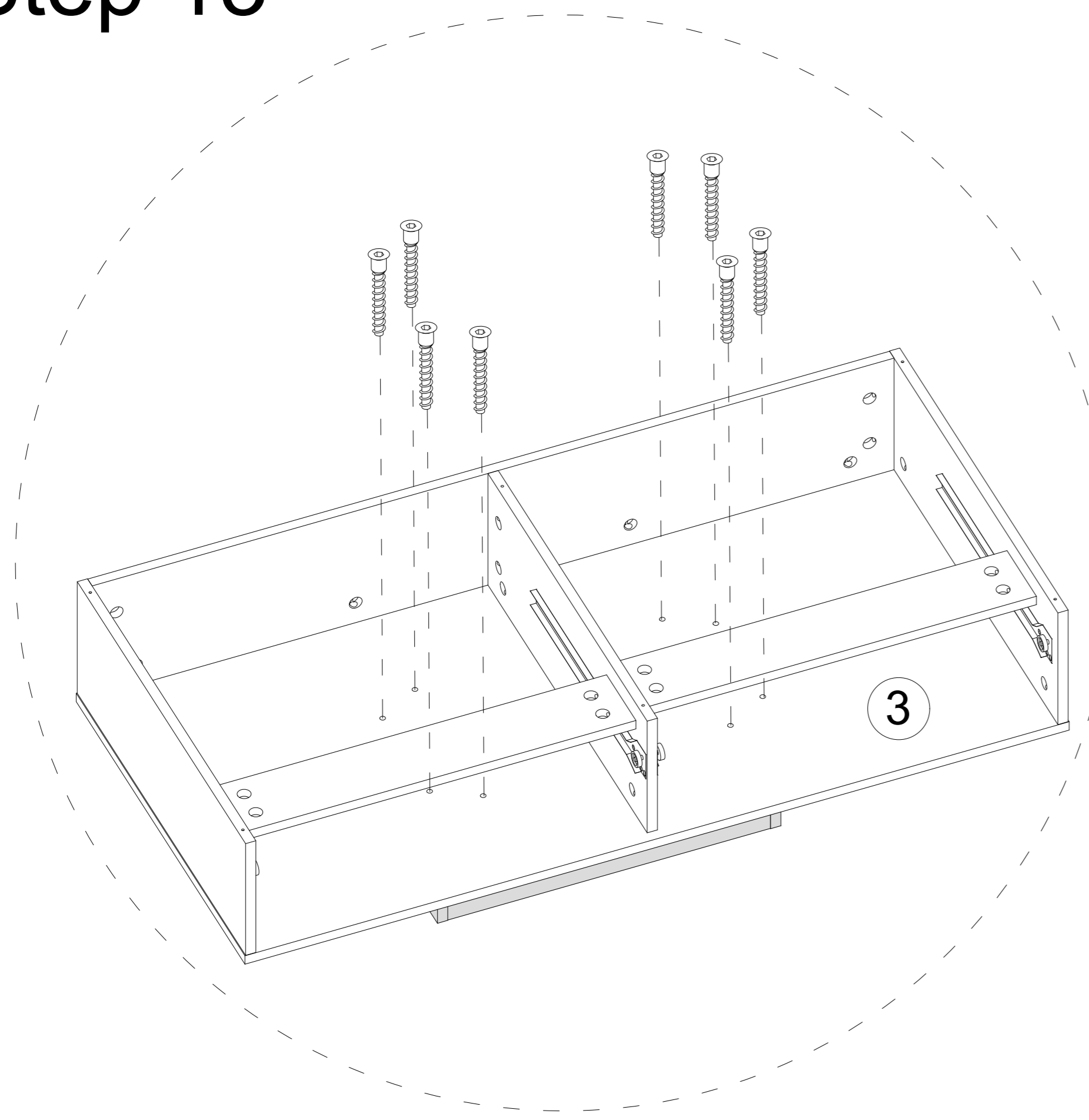


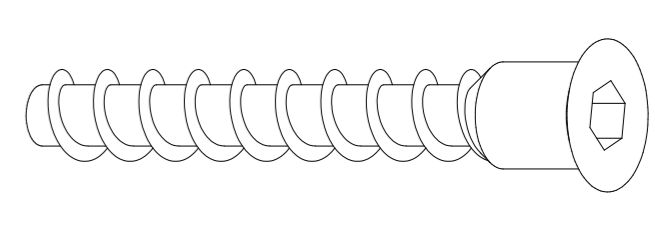
Please note that multi-person collaboration is required.

C	x6
	
ø6x30mm	

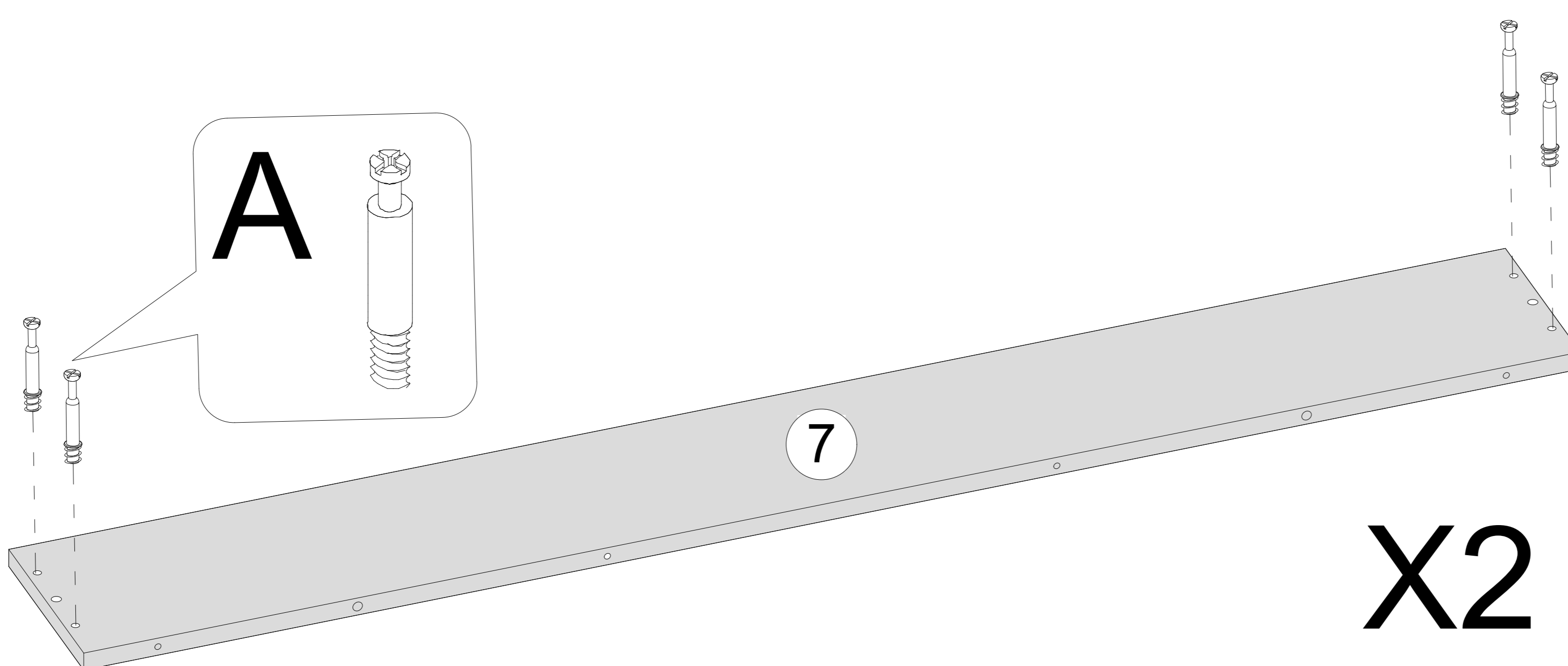
ASSEMBLY INSTRUCTION

Step 13

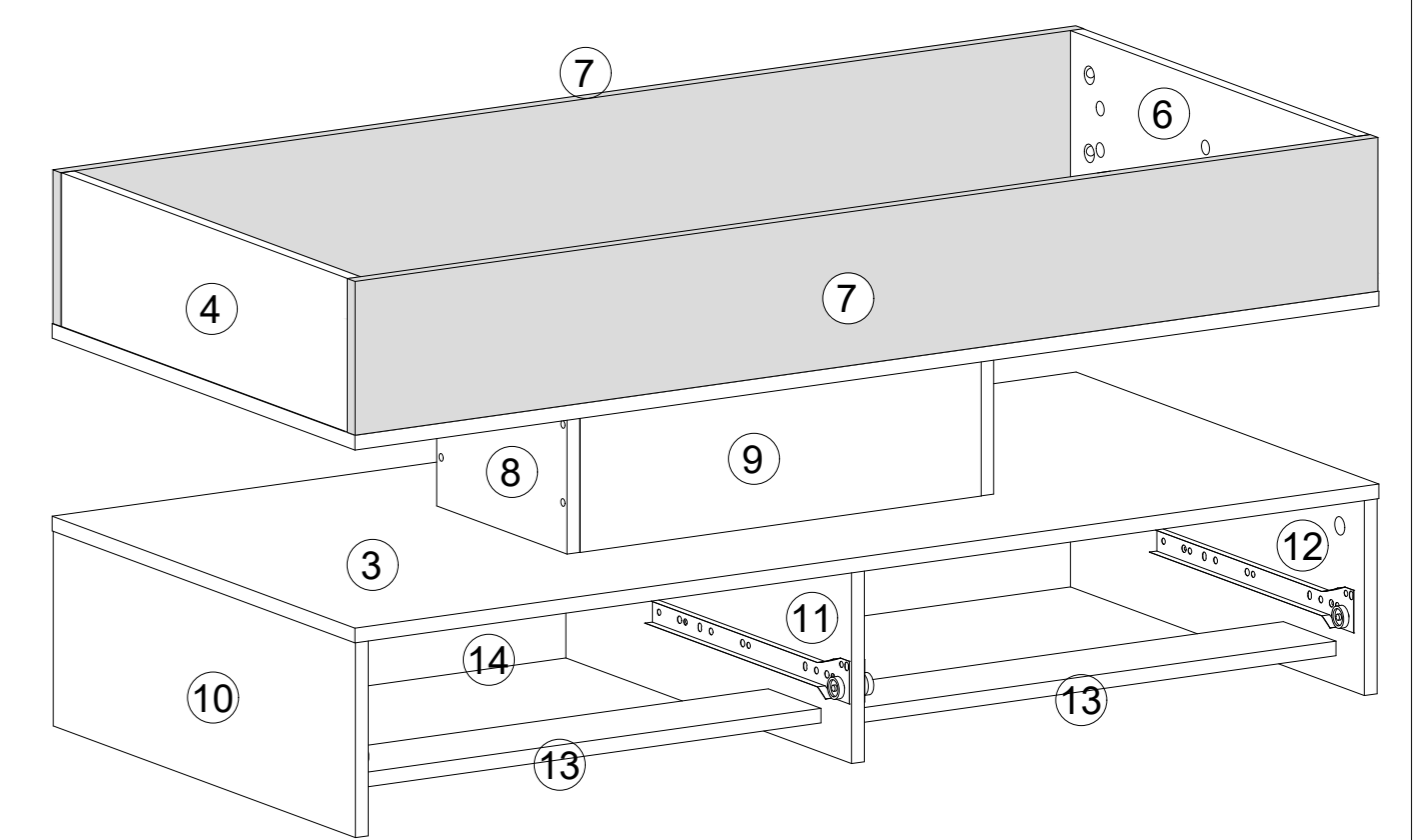


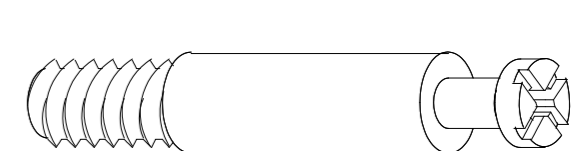
D	x8
	
$\phi 5 \times 40 \text{mm}$	

Step 14



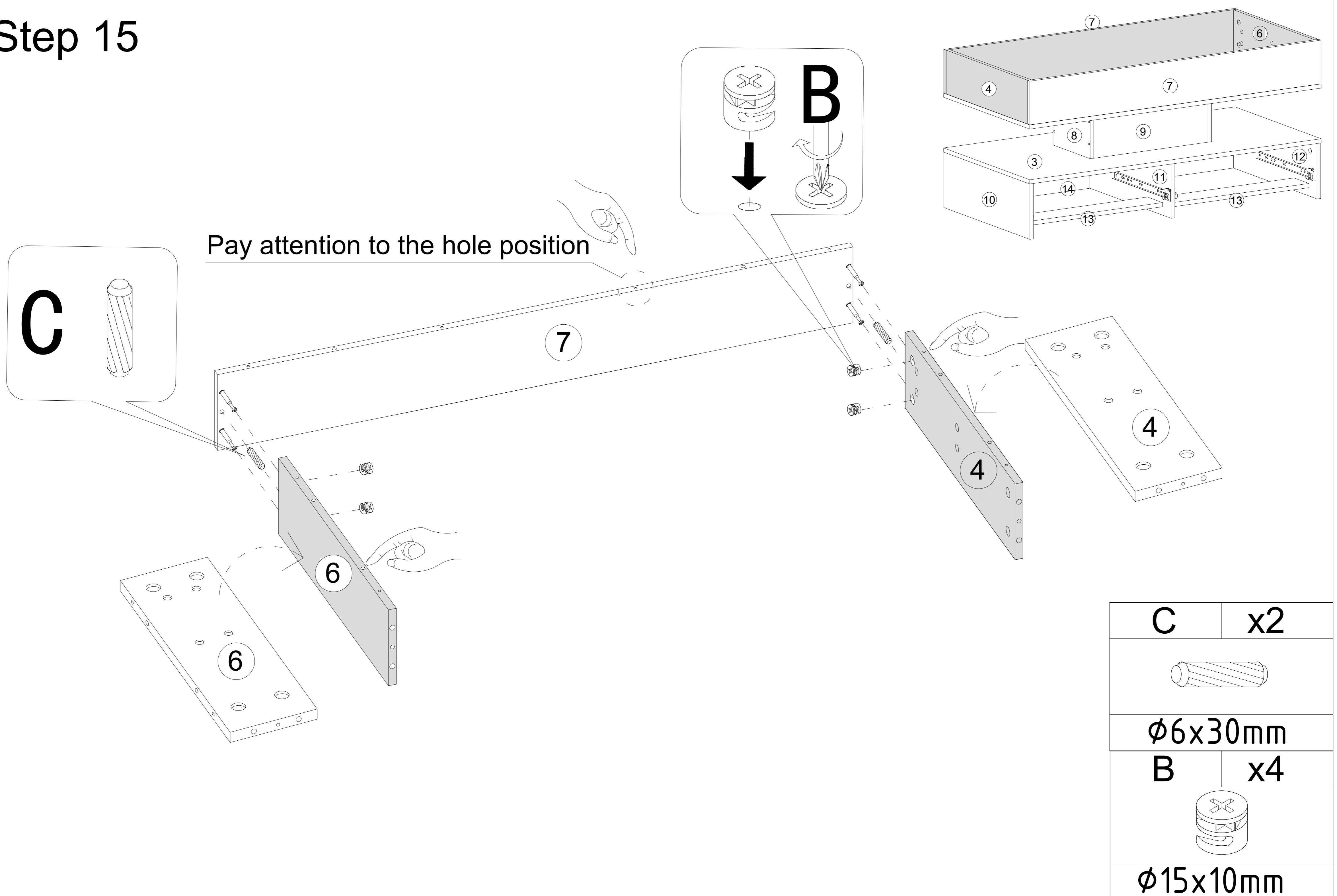
X2



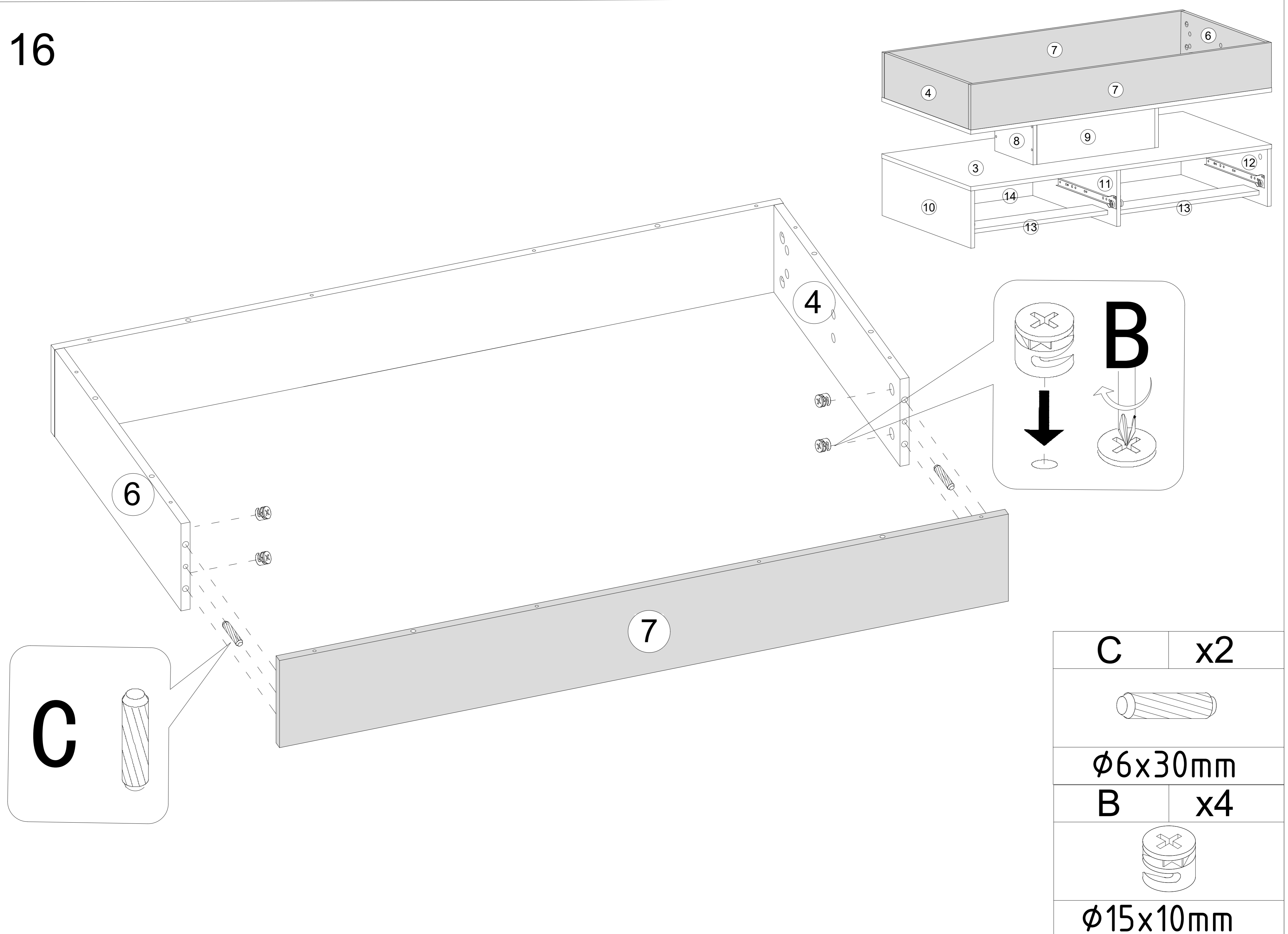
A	x8
	
$\phi 6 \times 35 \text{mm}$	

ASSEMBLY INSTRUCTION

Step 15

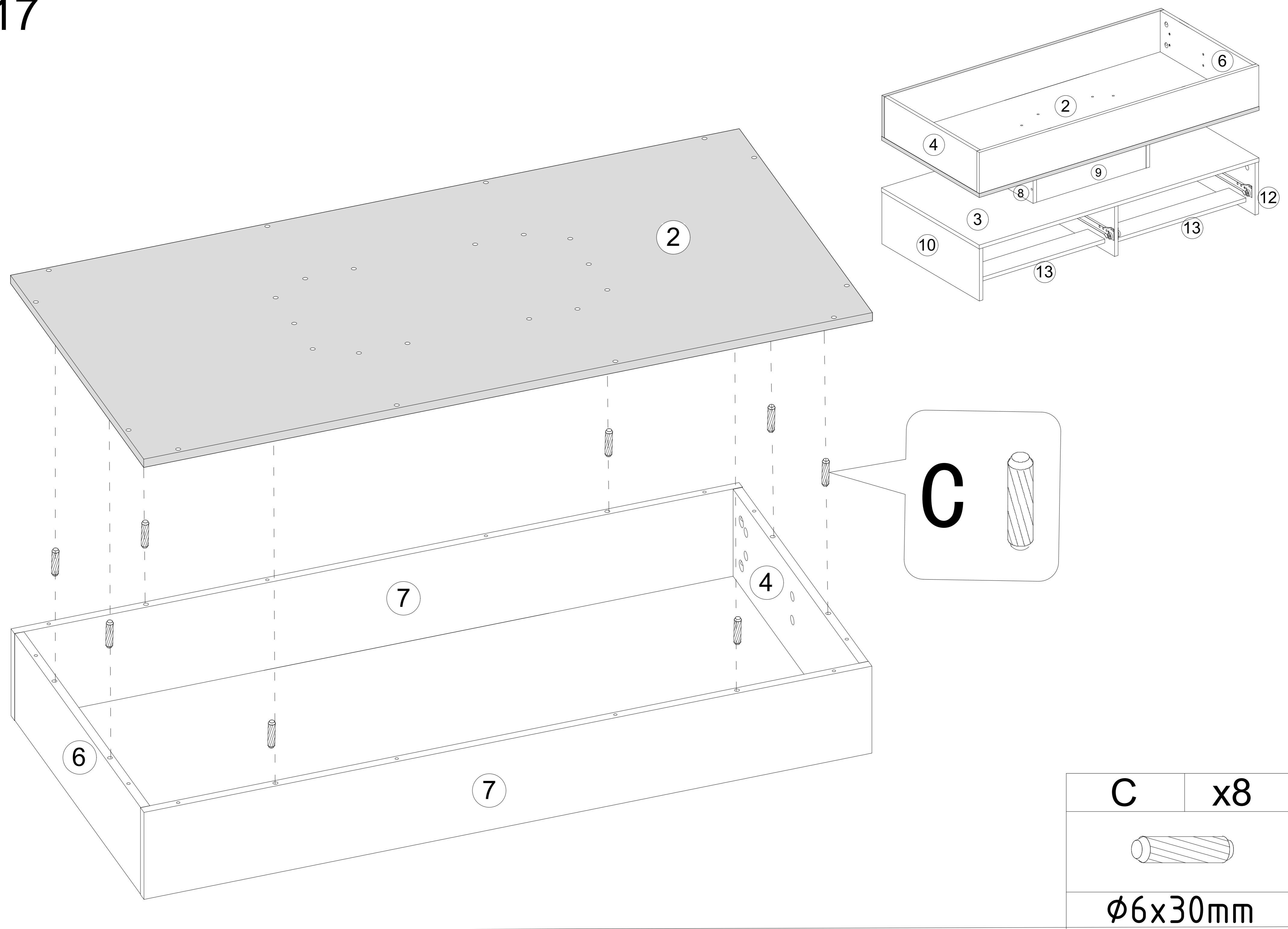


Step 16

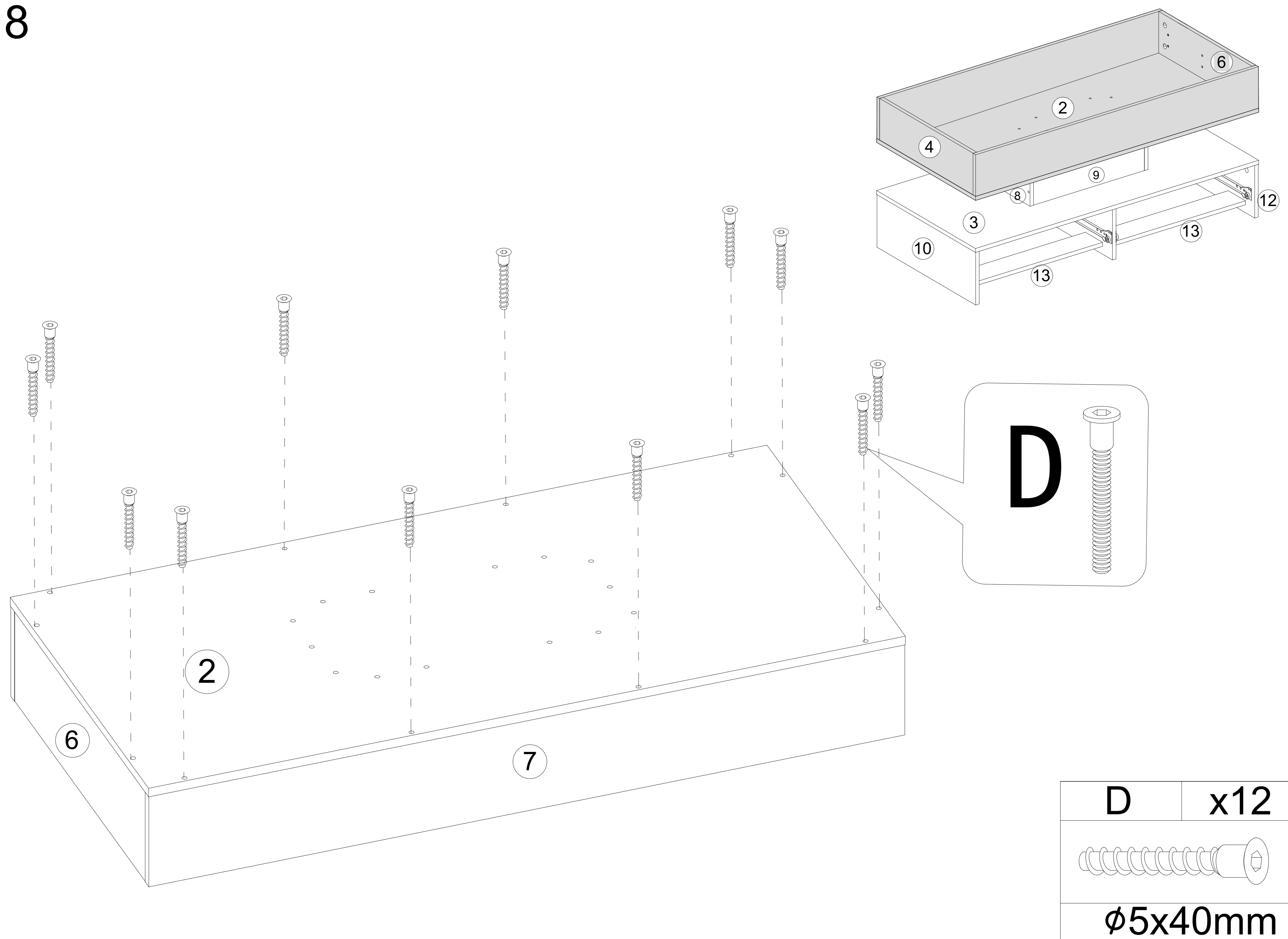


ASSEMBLY INSTRUCTION

Step 17



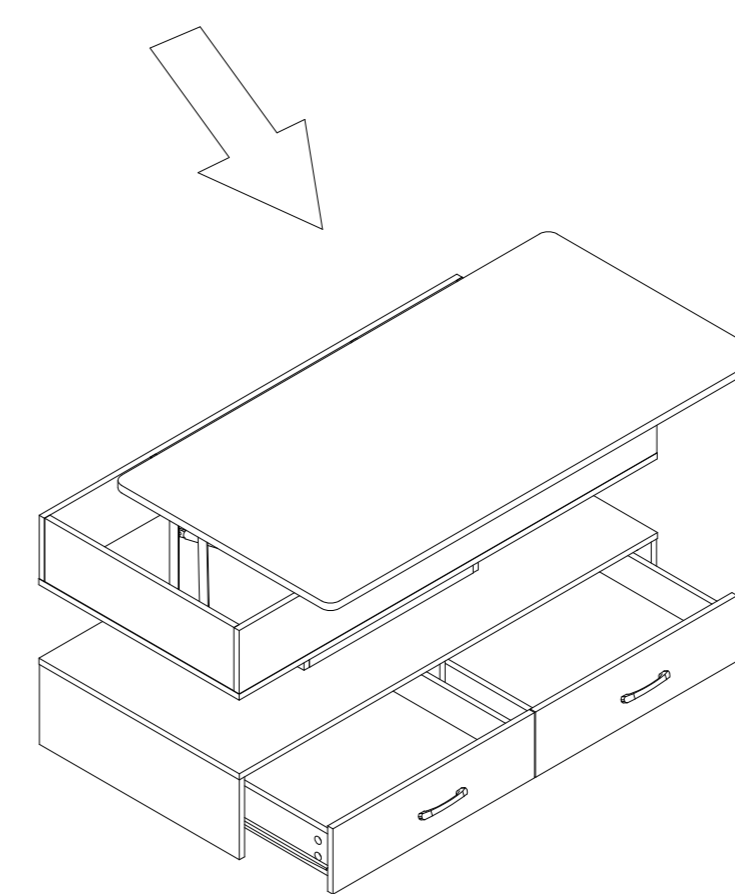
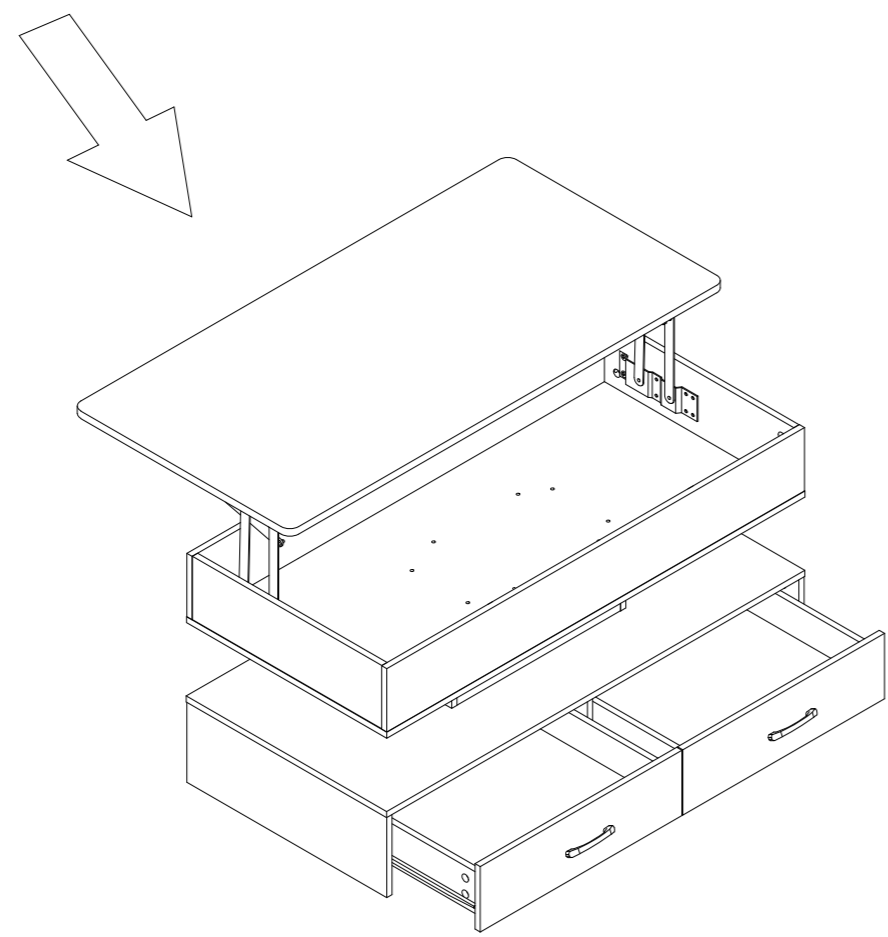
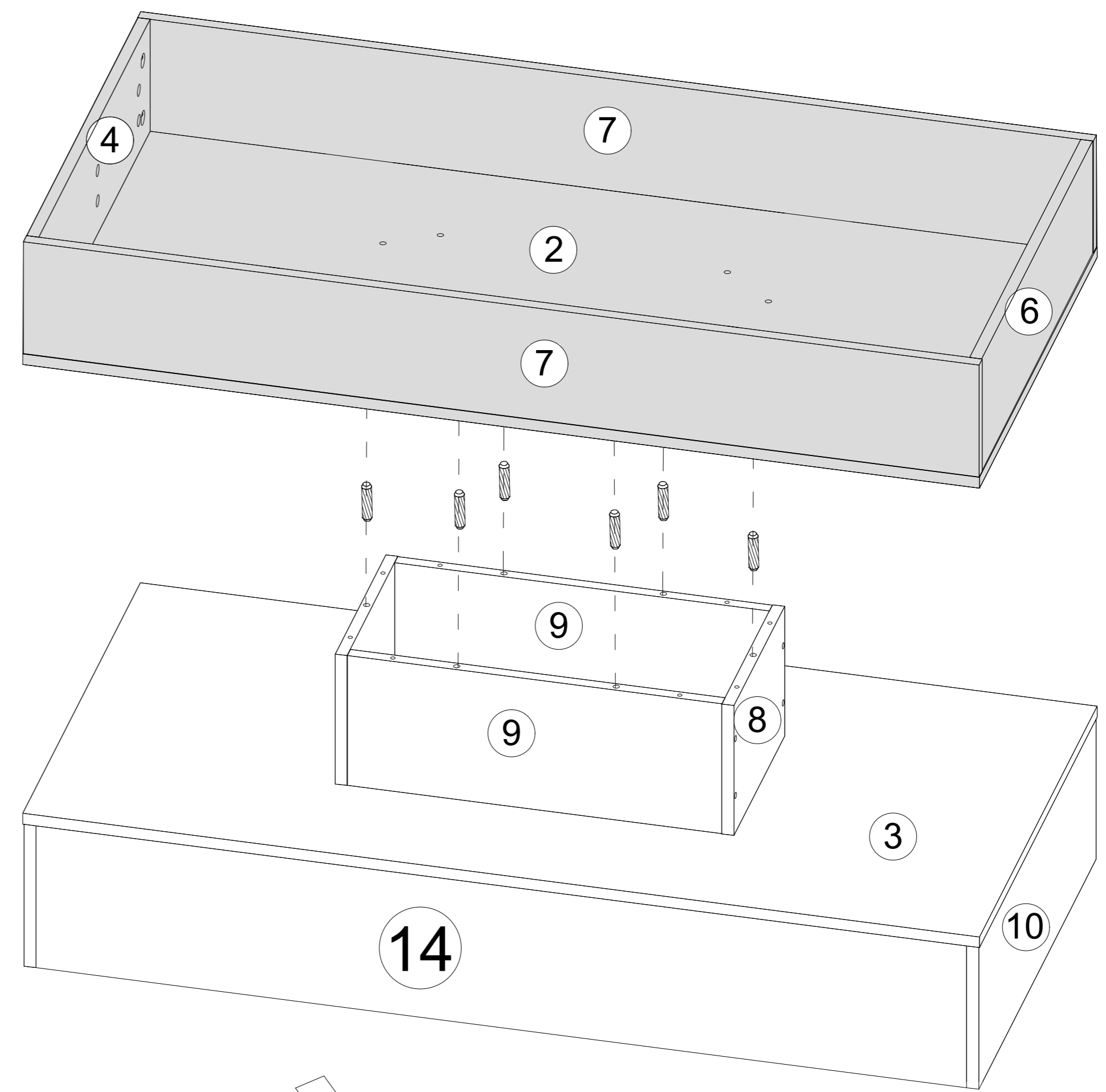
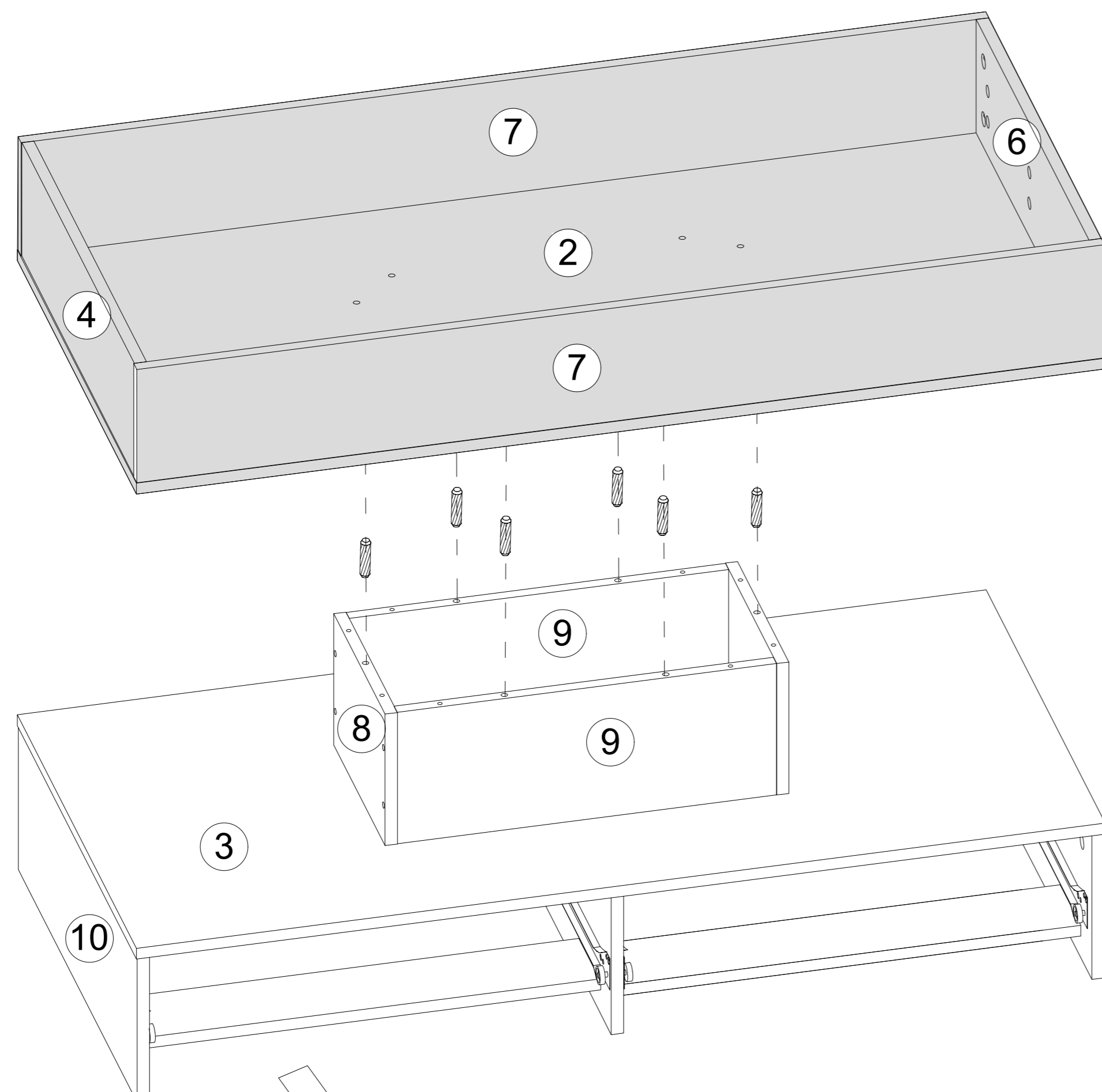
Step 18

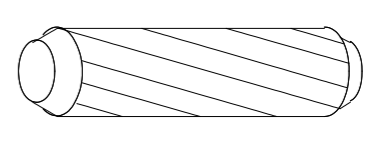


ASSEMBLY INSTRUCTION

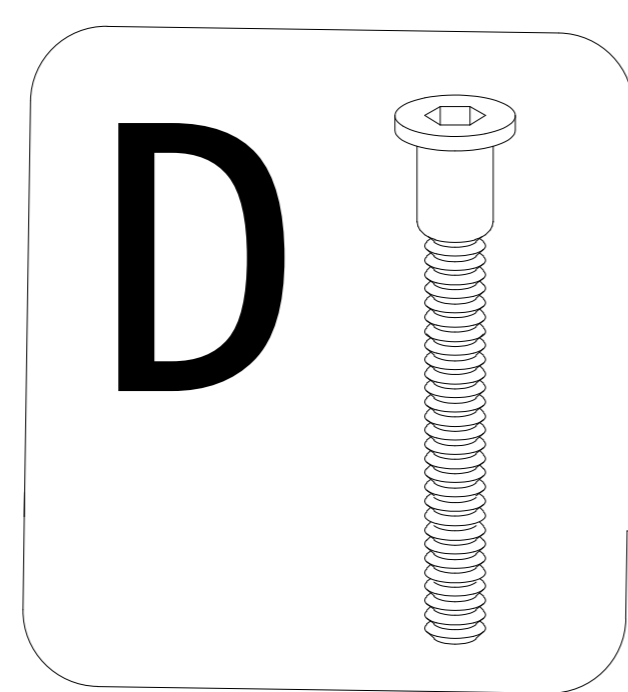
Step 19

Both sides can be installed

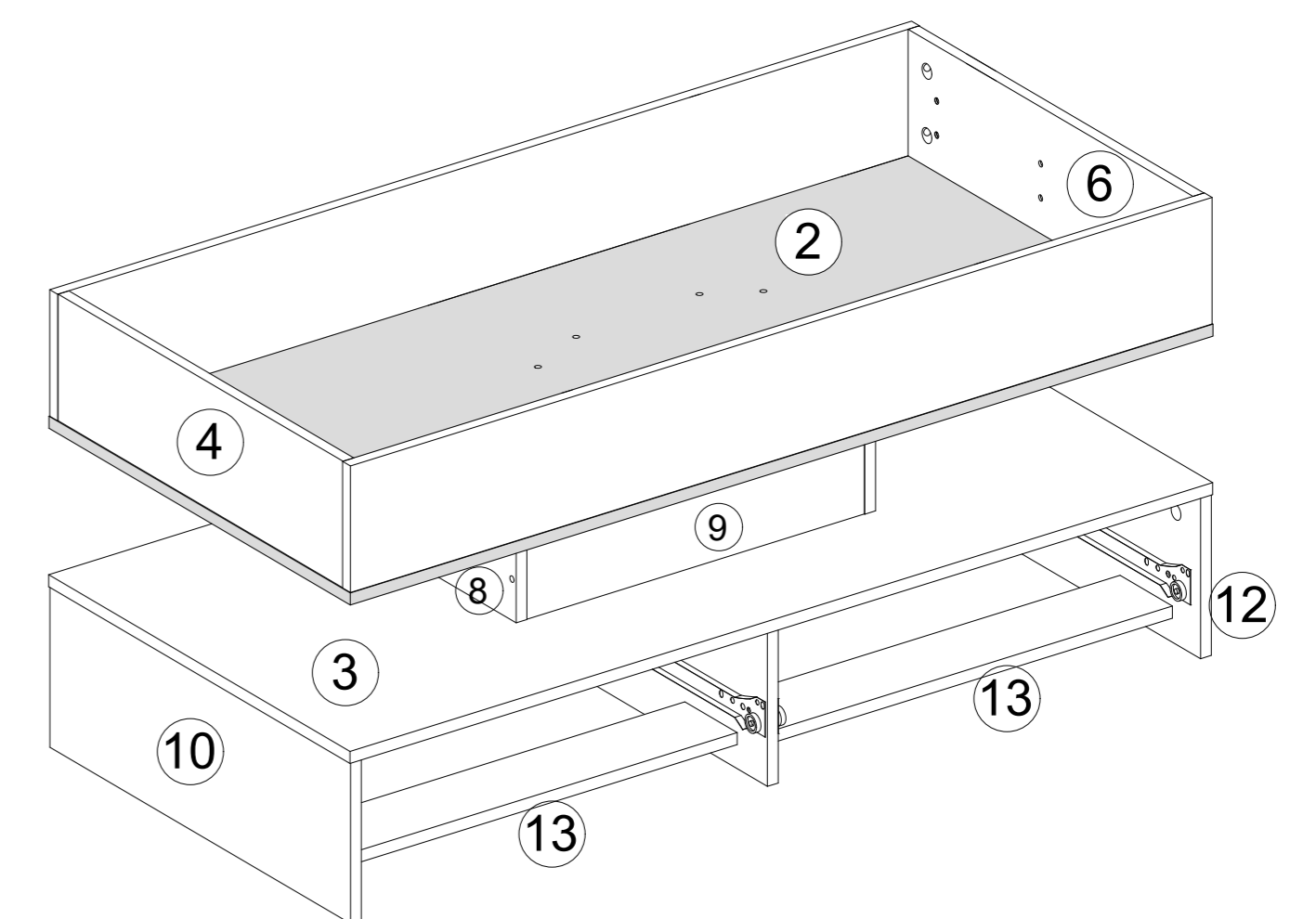
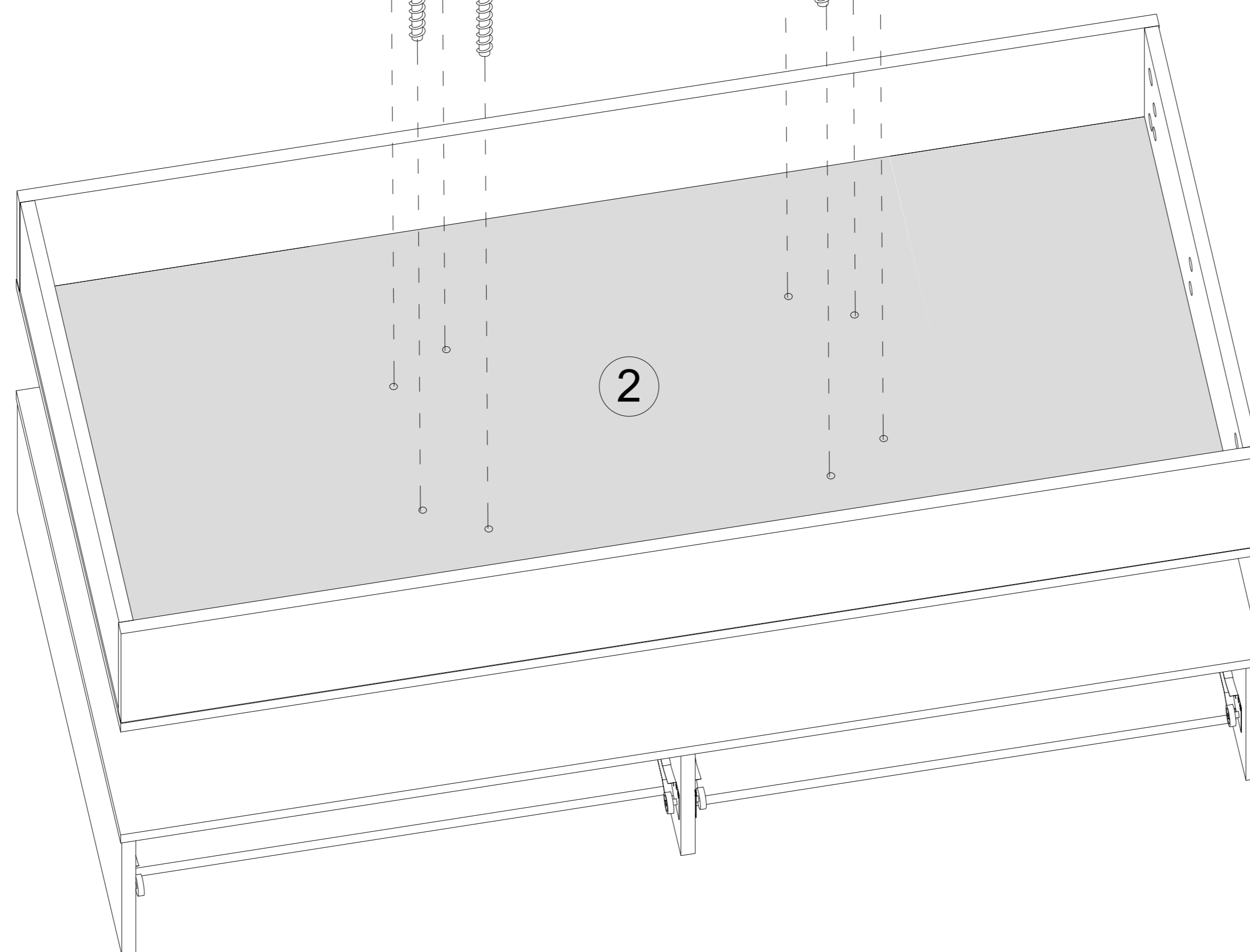


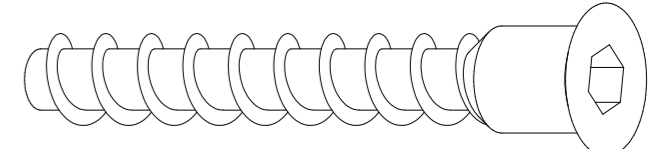
C	x6
	
$\phi 6 \times 30 \text{mm}$	

Step 20



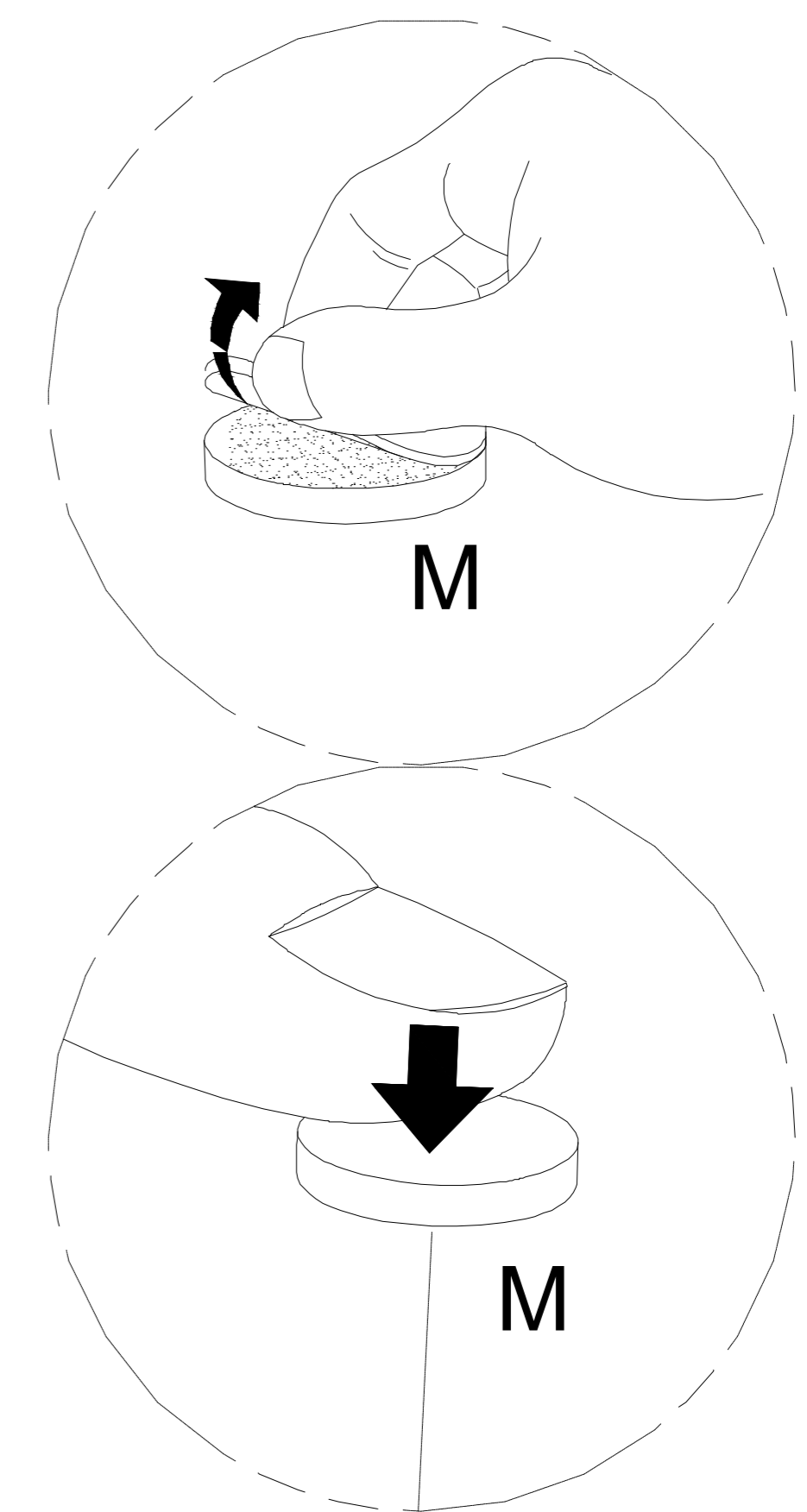
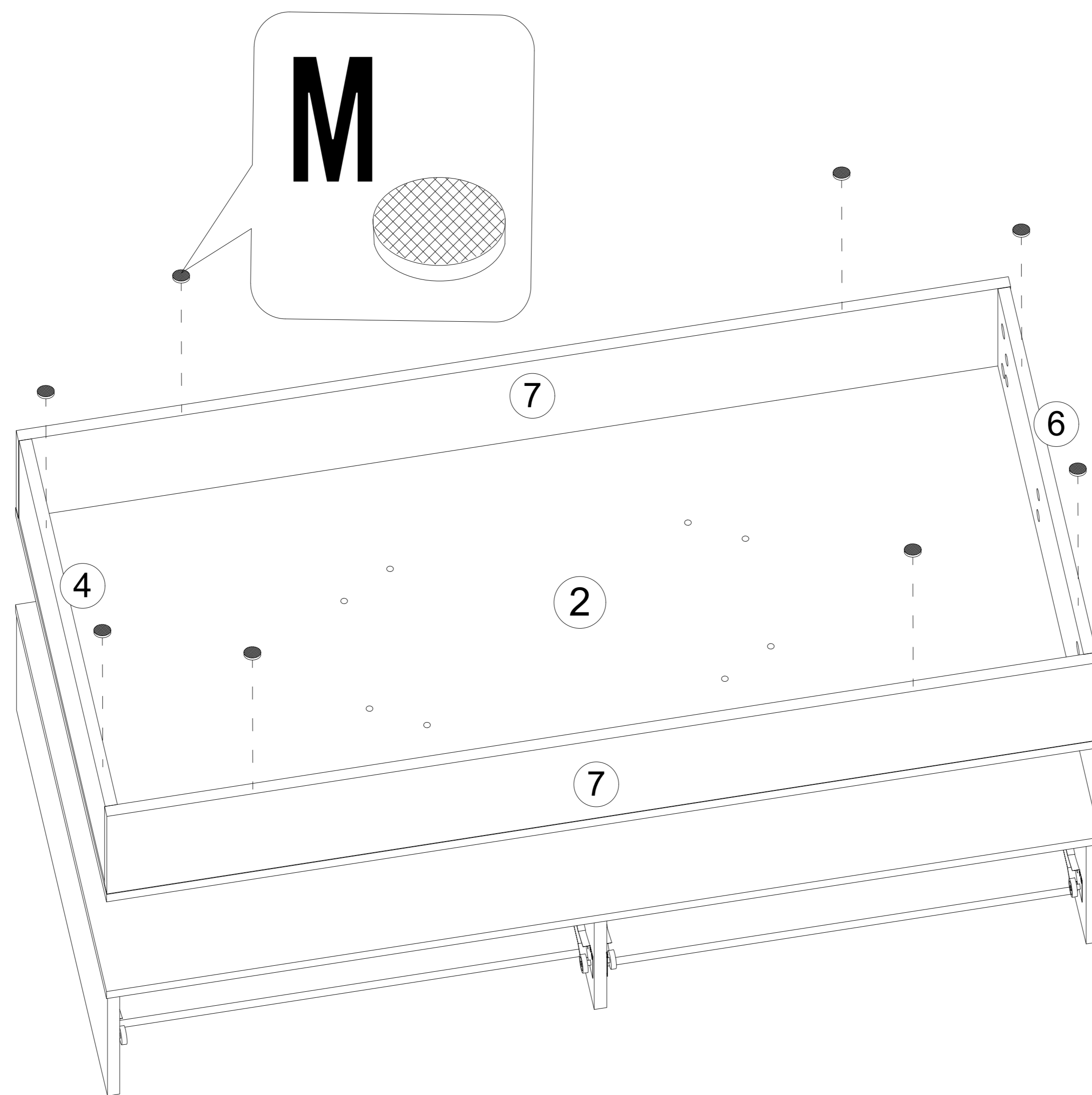
D

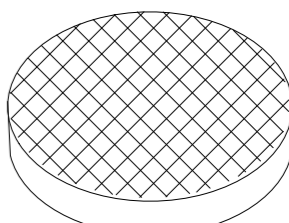


D	x8
	
$\phi 5 \times 40 \text{mm}$	

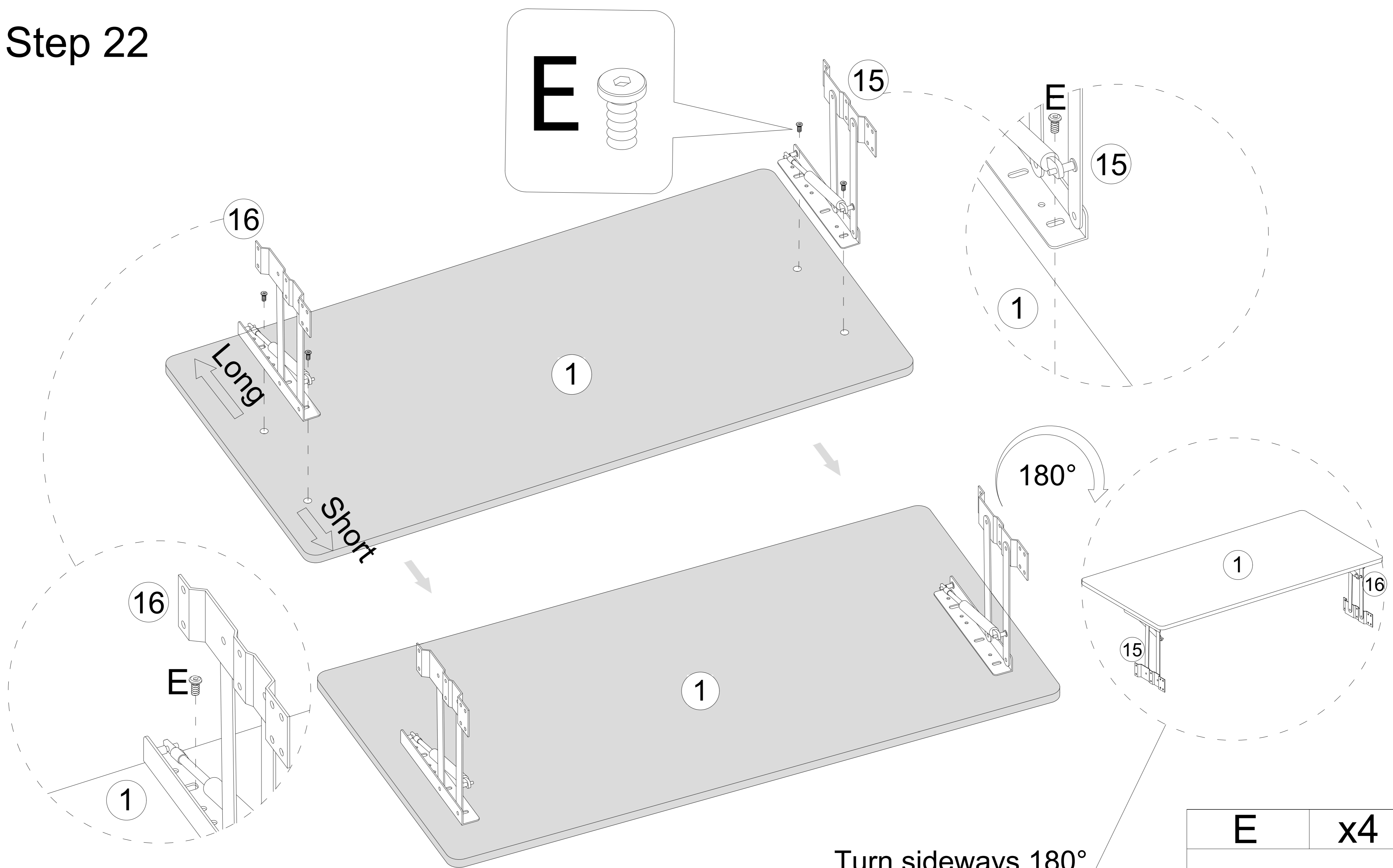
ASSEMBLY INSTRUCTION

Step 21

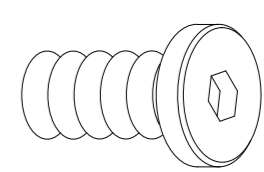


M	x8
	

Step 22

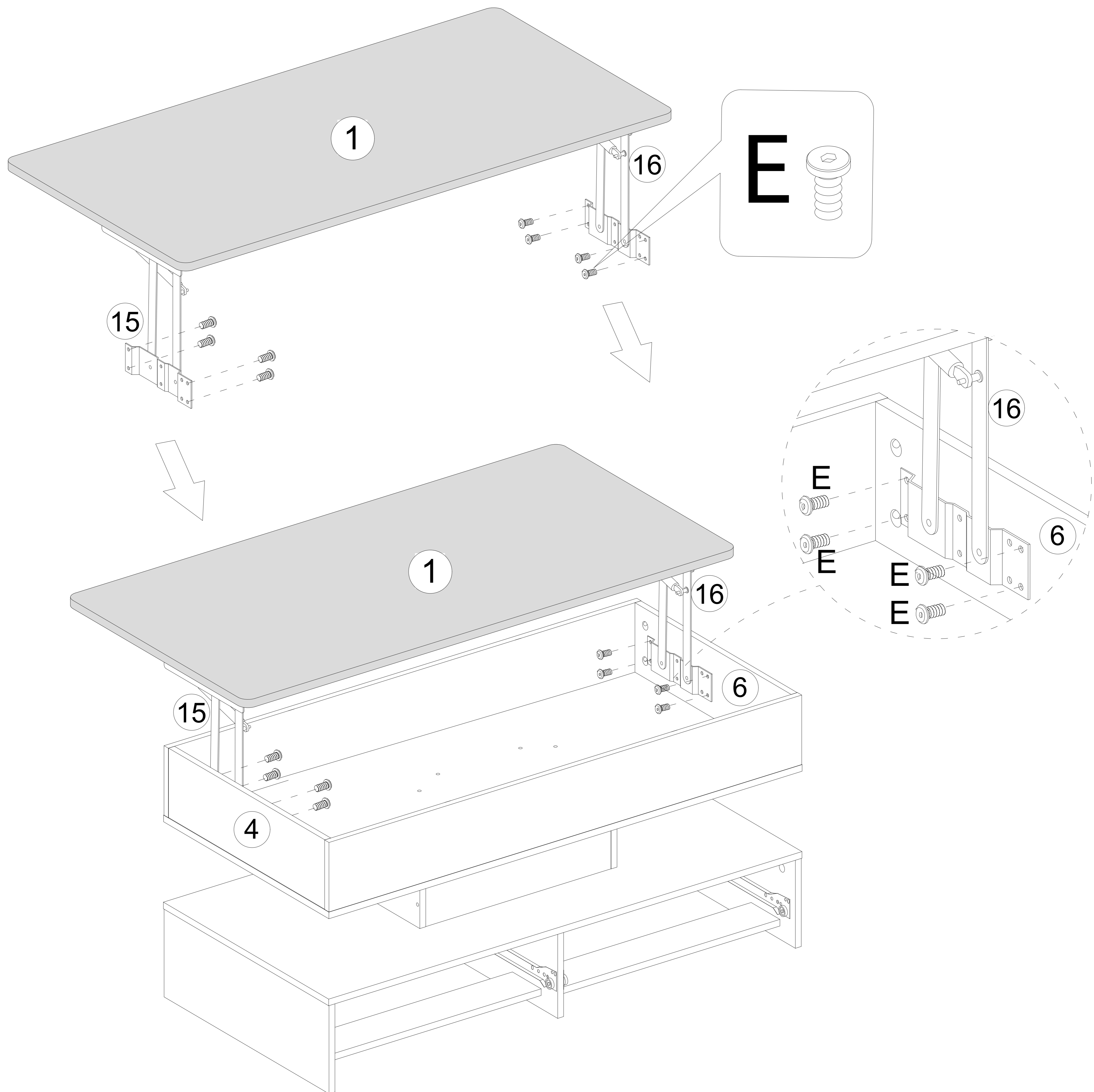
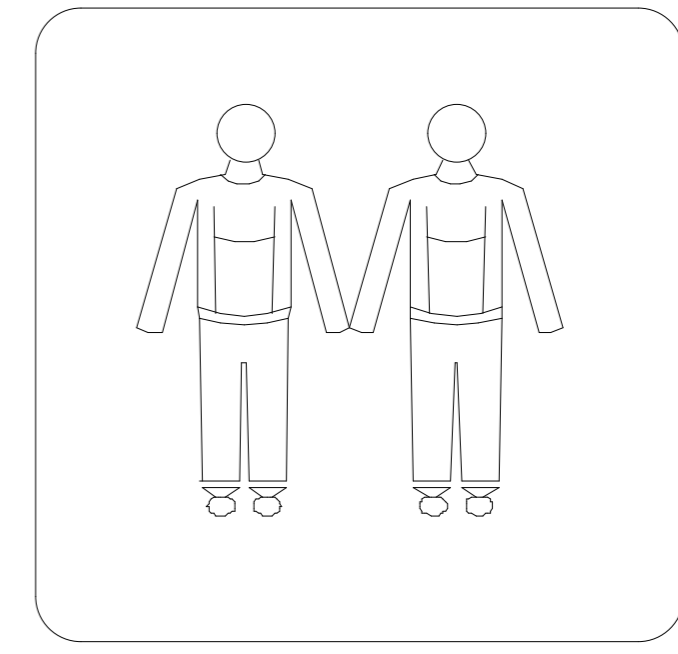


Turn sideways 180°

E	x4
	
M5x10mm	

ASSEMBLY INSTRUCTION

Step 23

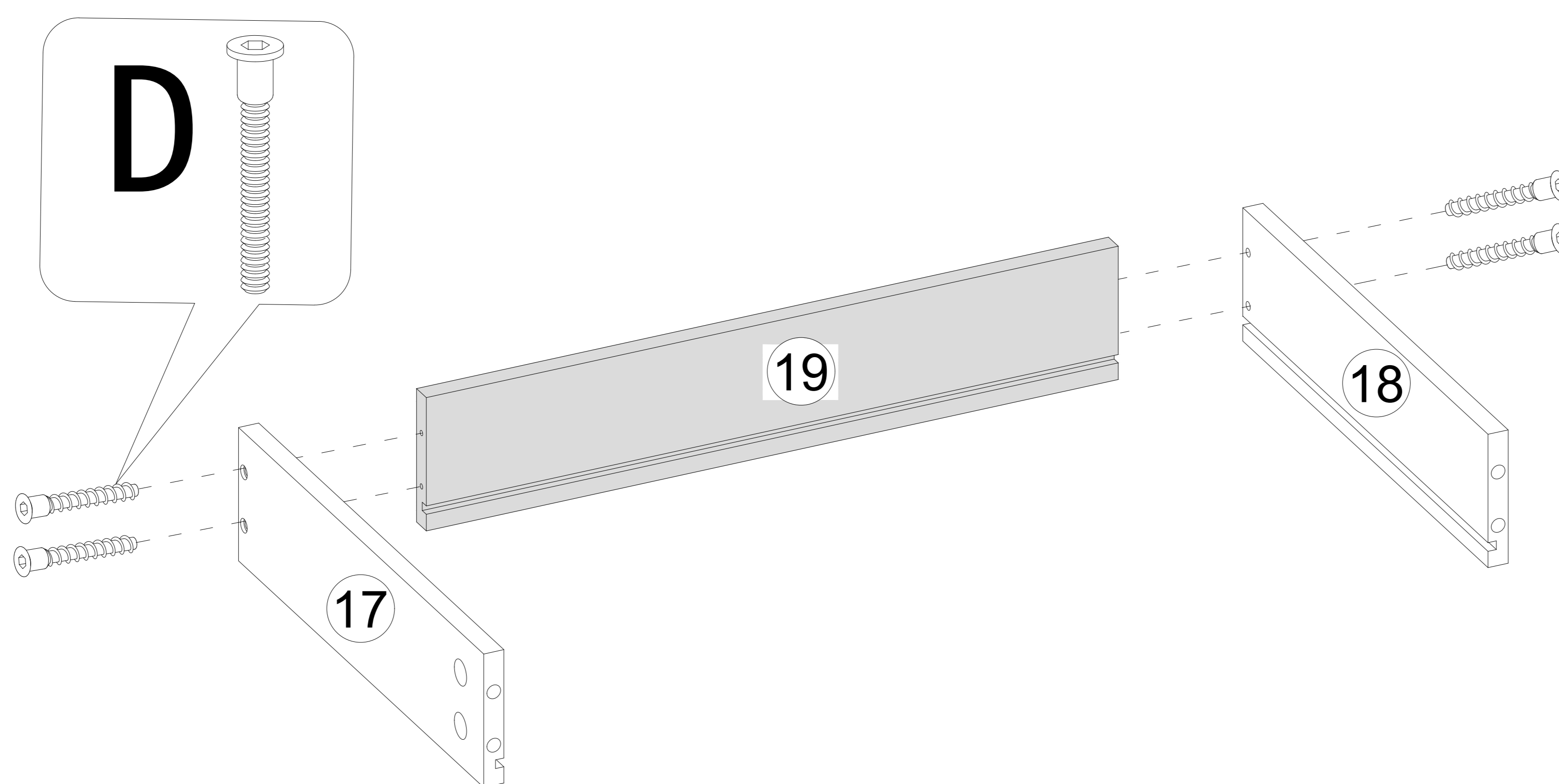


E	x8
M5x10mm	

ASSEMBLY INSTRUCTION

Step 24

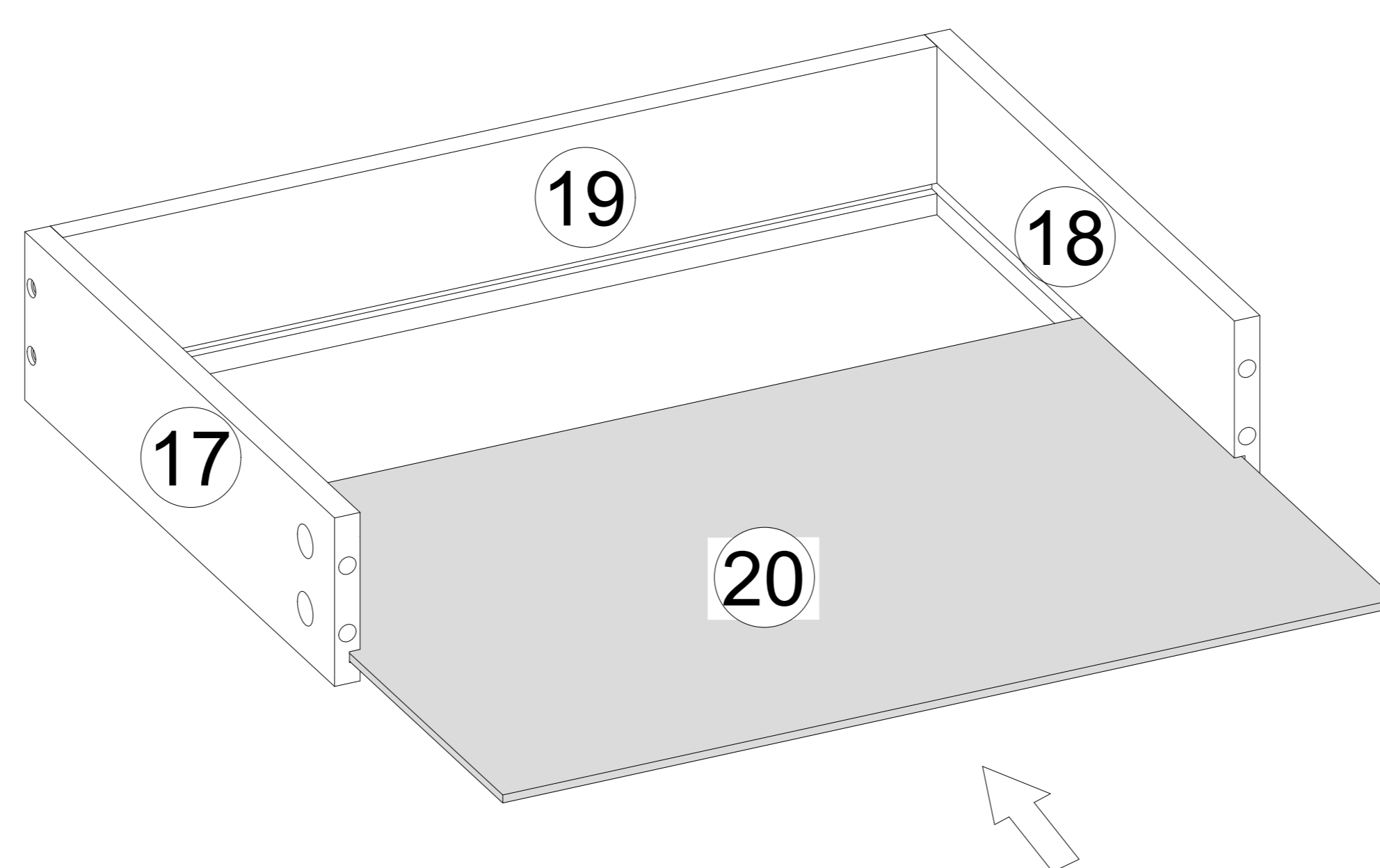
X2



D	x8
ø5x40mm	

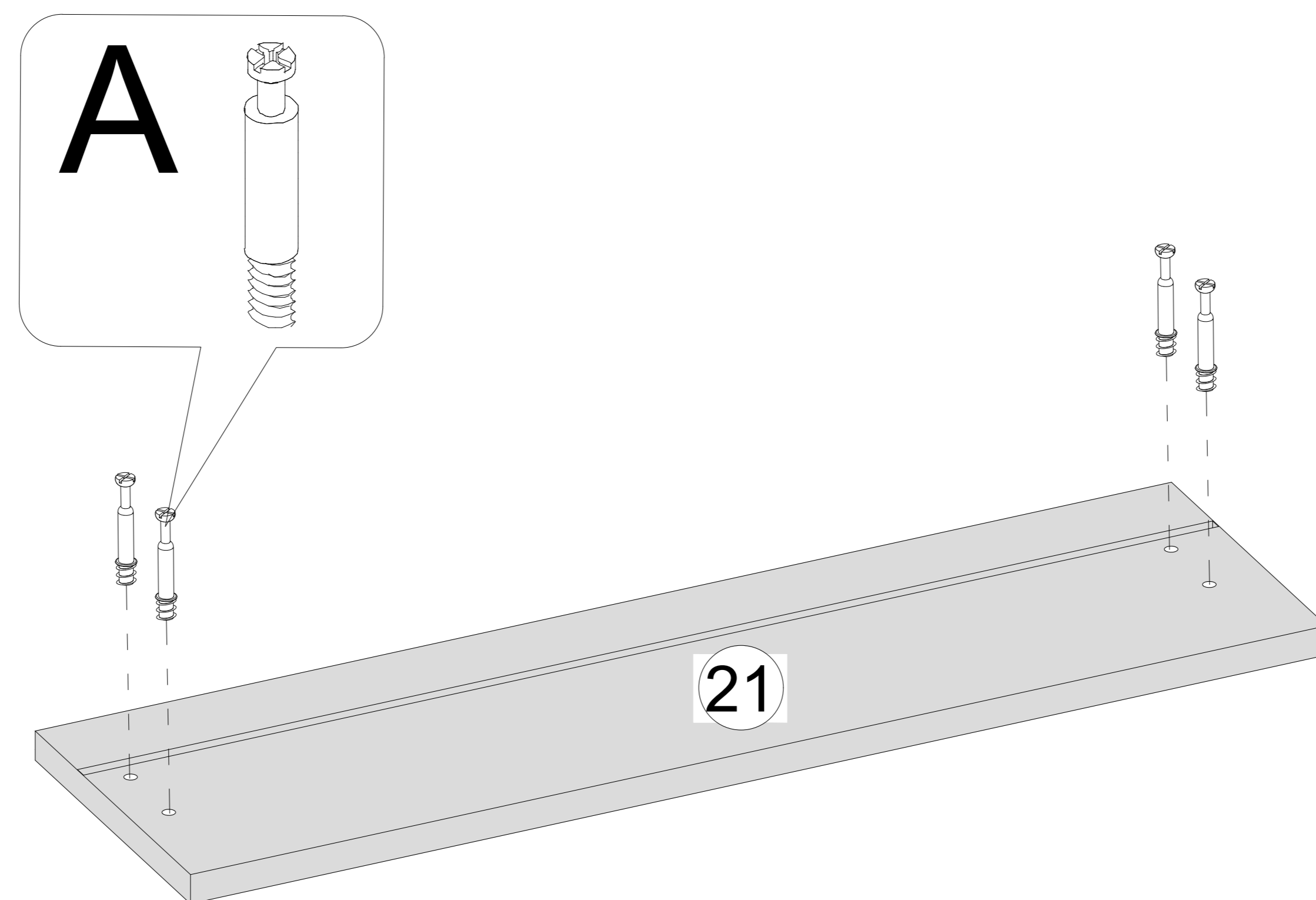
Step 25

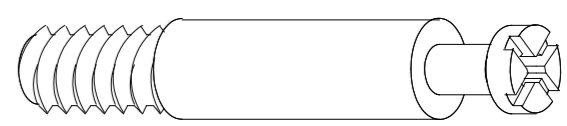
X2



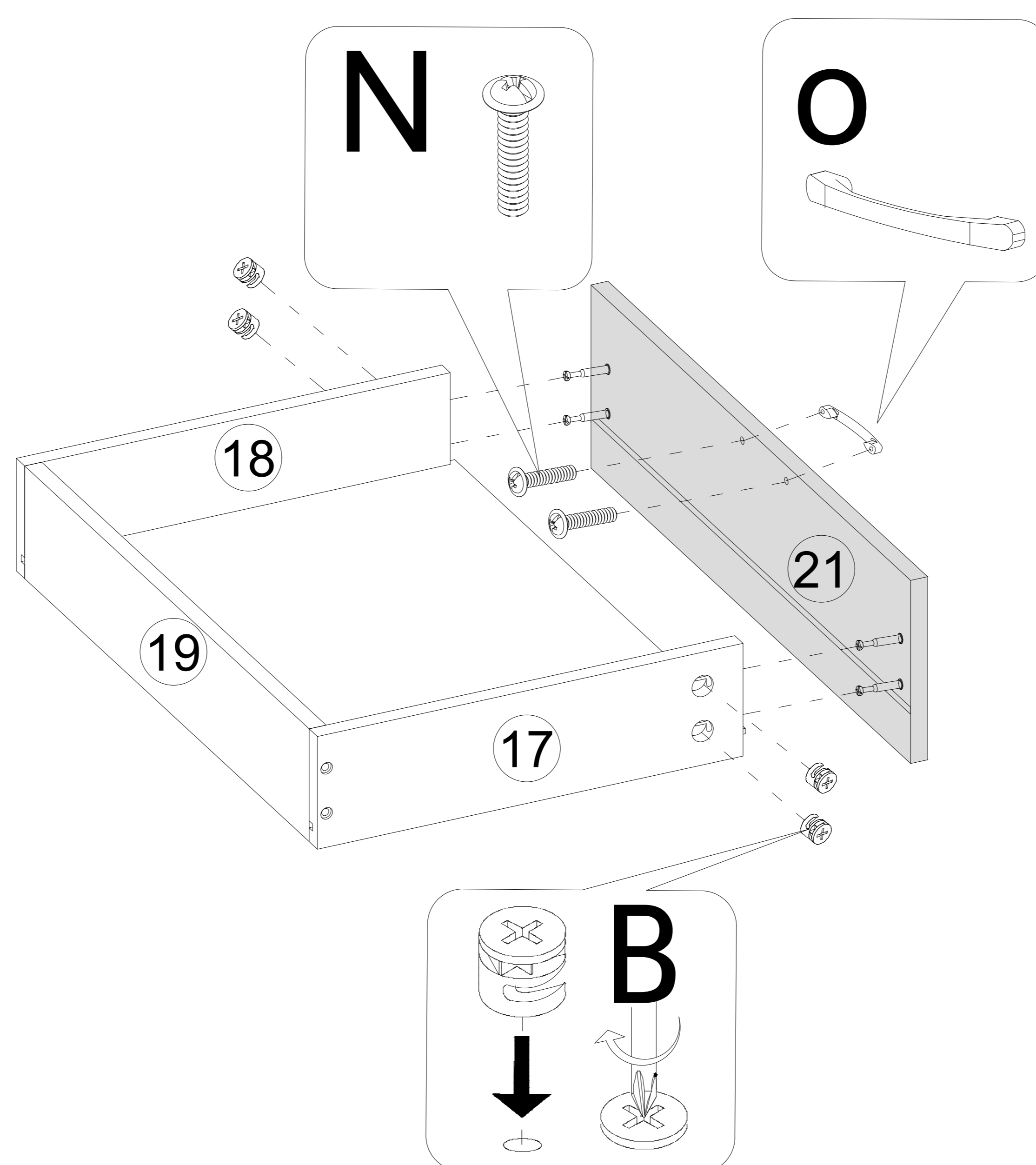
ASSEMBLY INSTRUCTION

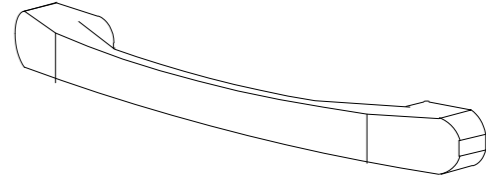
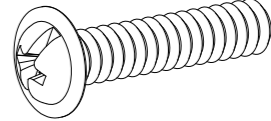
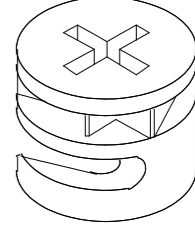
Step 26



A	x4
	
ø6x35mm	

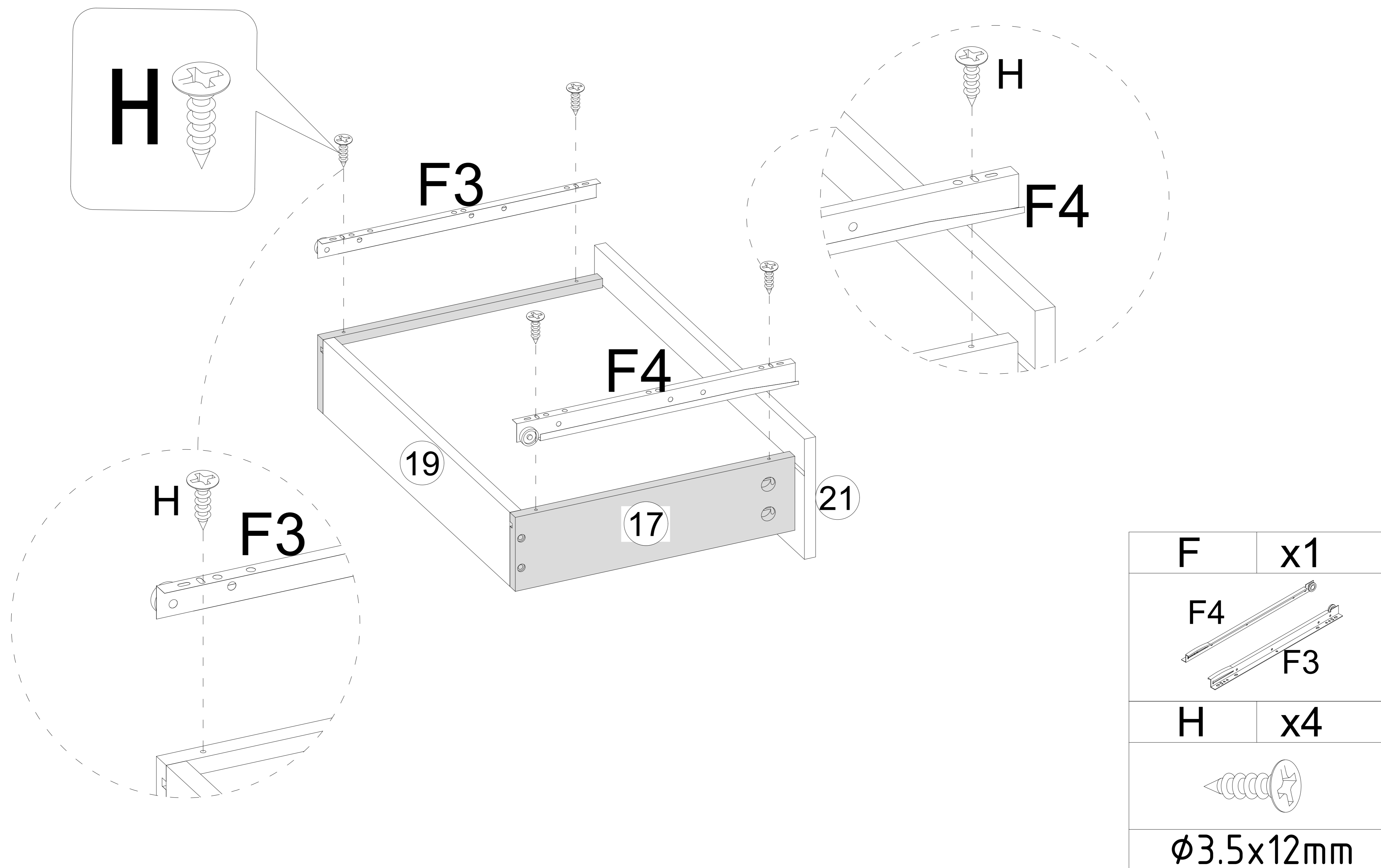
Step 27



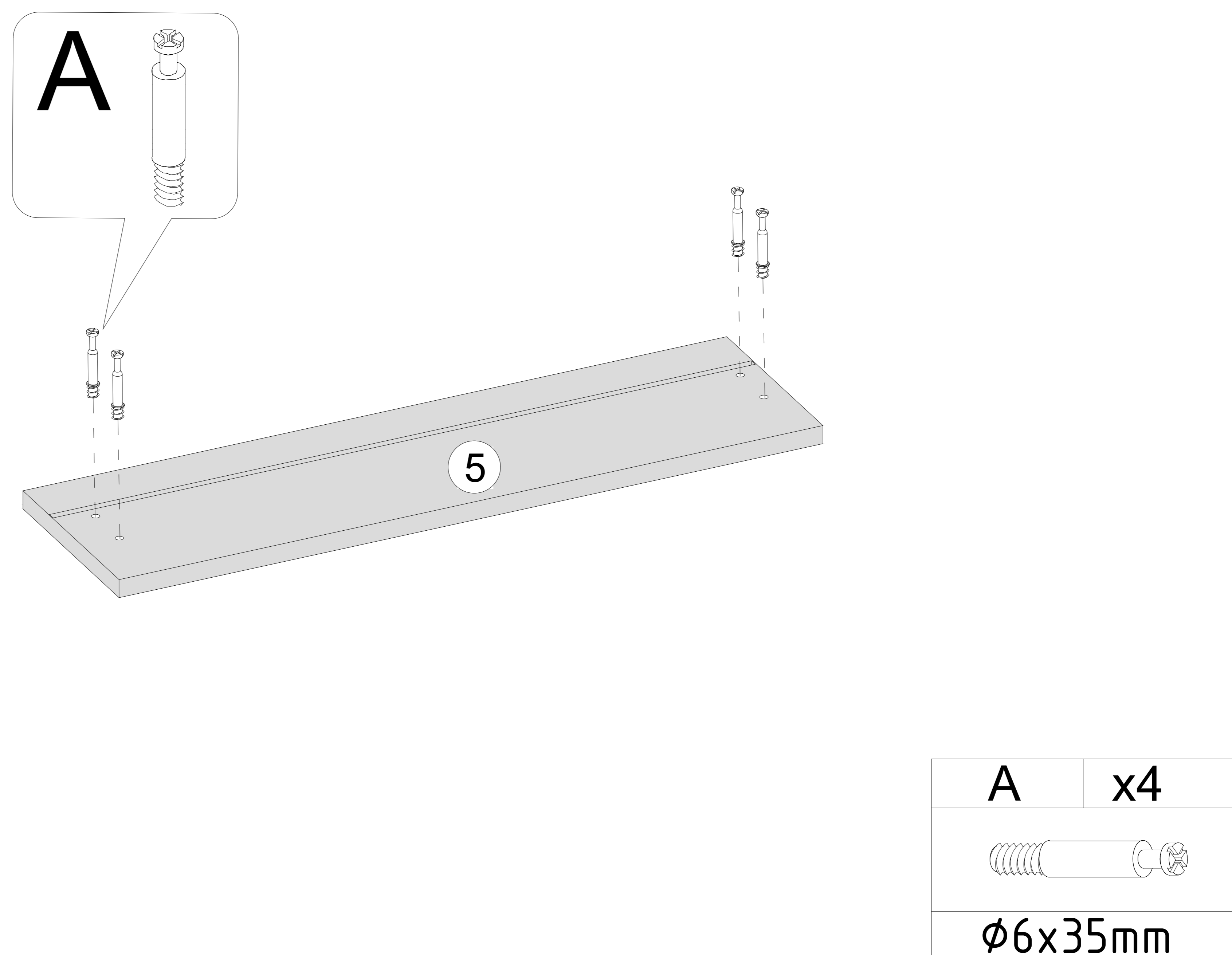
O	x1
	
N	x2
	
M4x15mm	
B	x4
	
ø15x10mm	

ASSEMBLY INSTRUCTION

Step 28

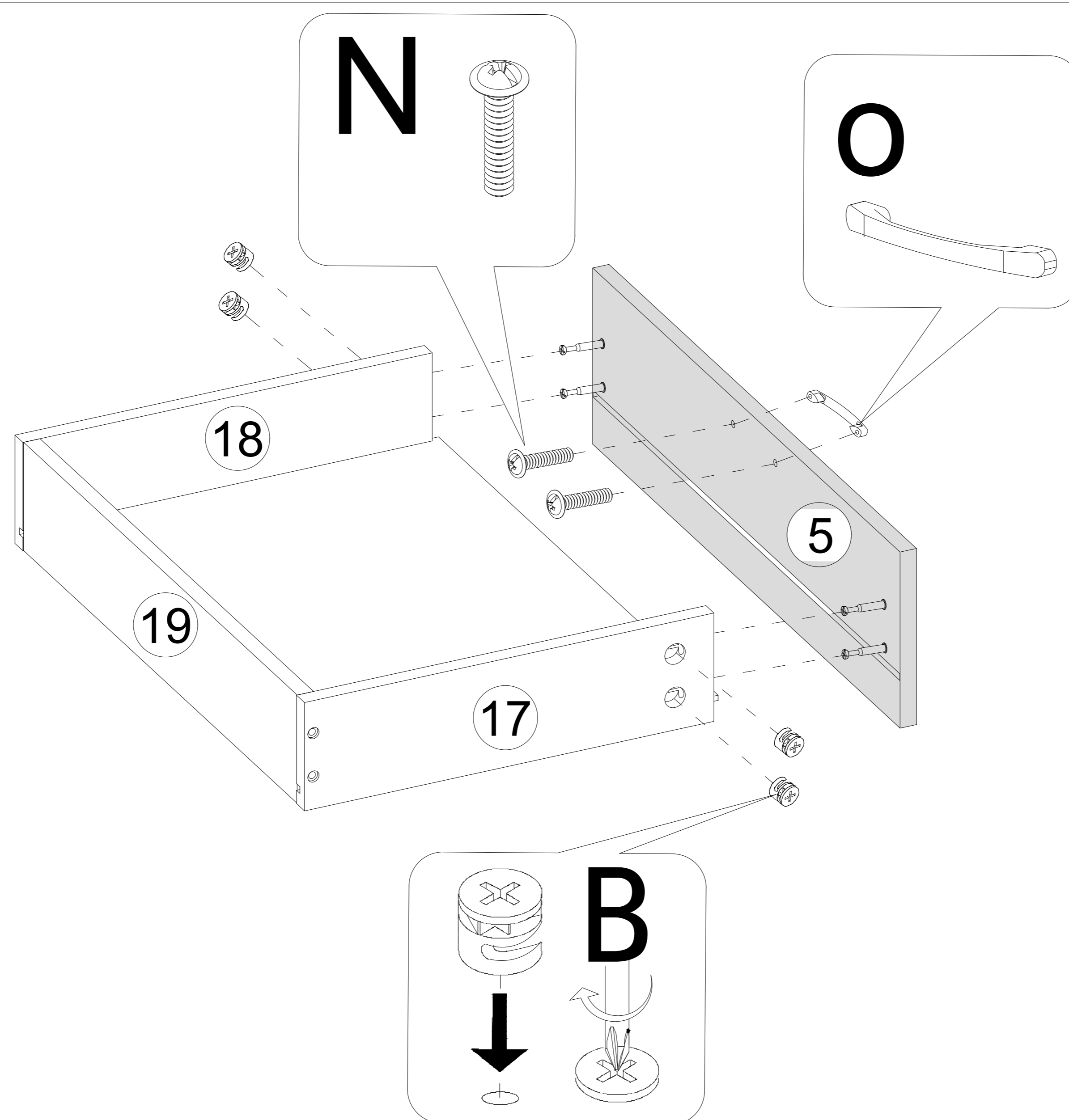


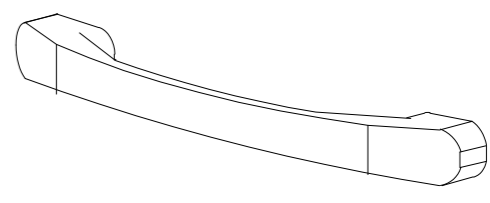
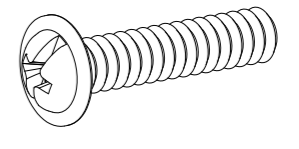
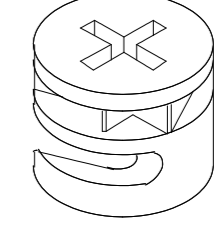
Step 29



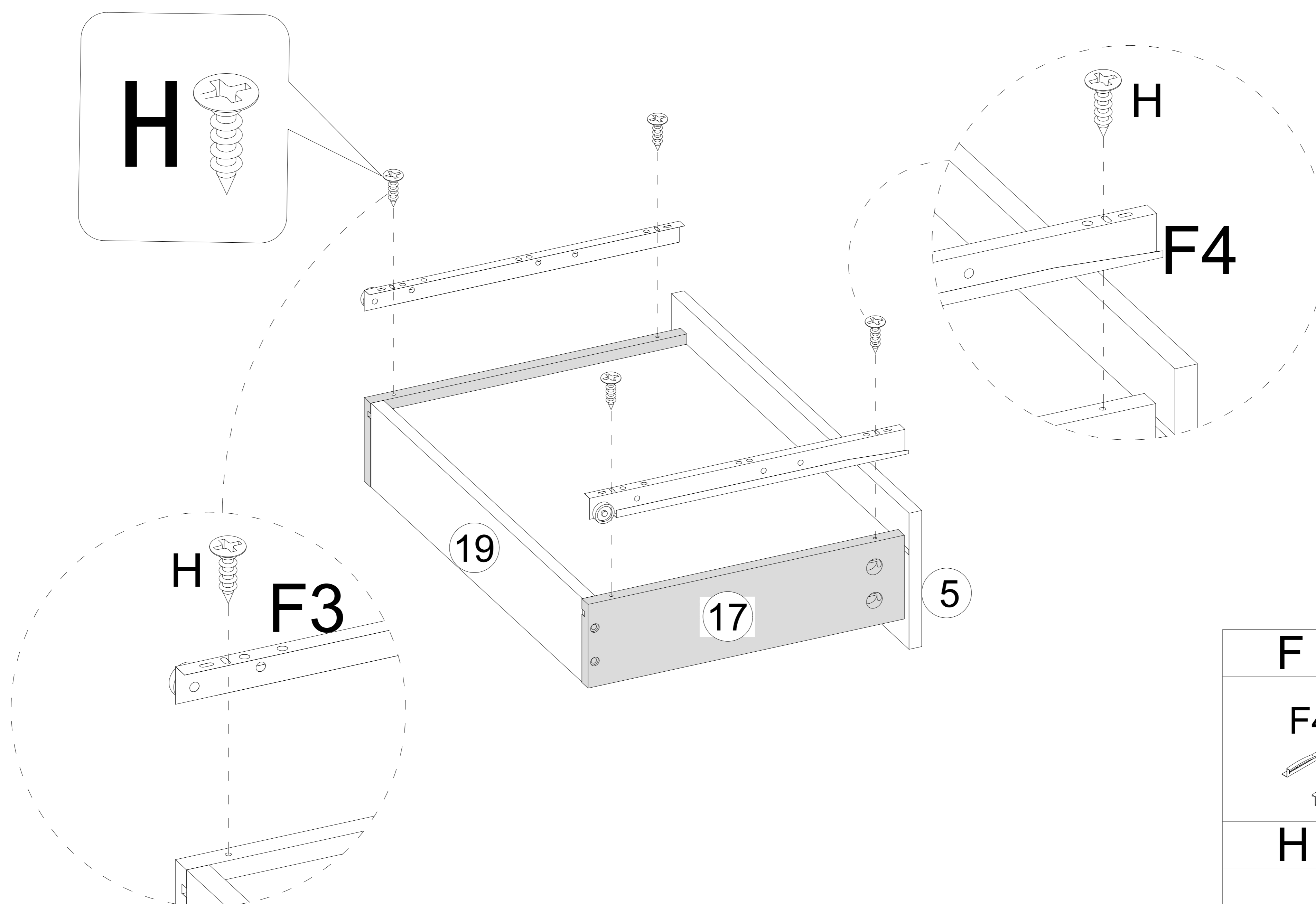
ASSEMBLY INSTRUCTION

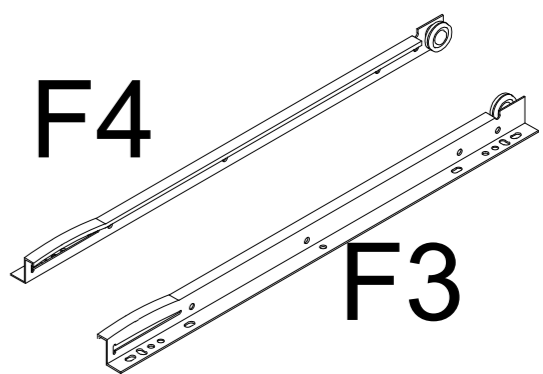
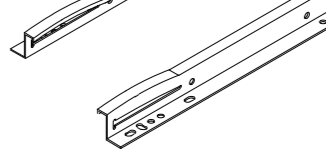
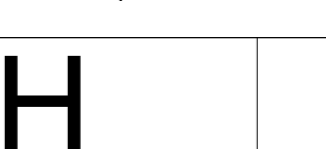
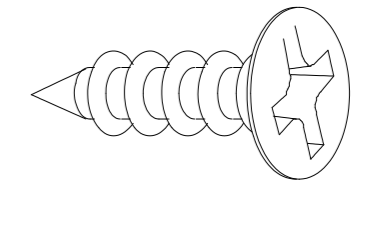
Step 30



O	x1
	
N	x2
	
M4x15mm	
B	x4
	
ø15x10mm	

Step 31

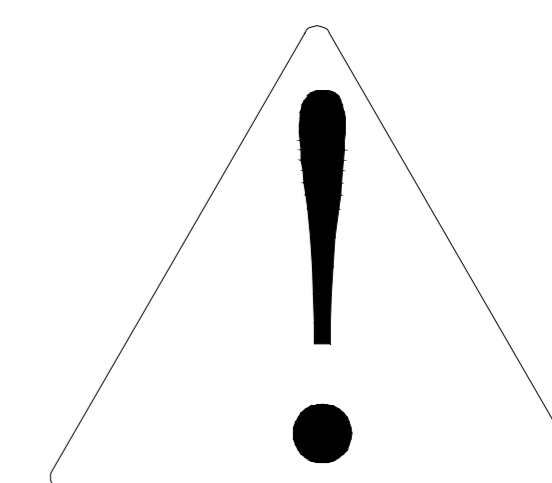
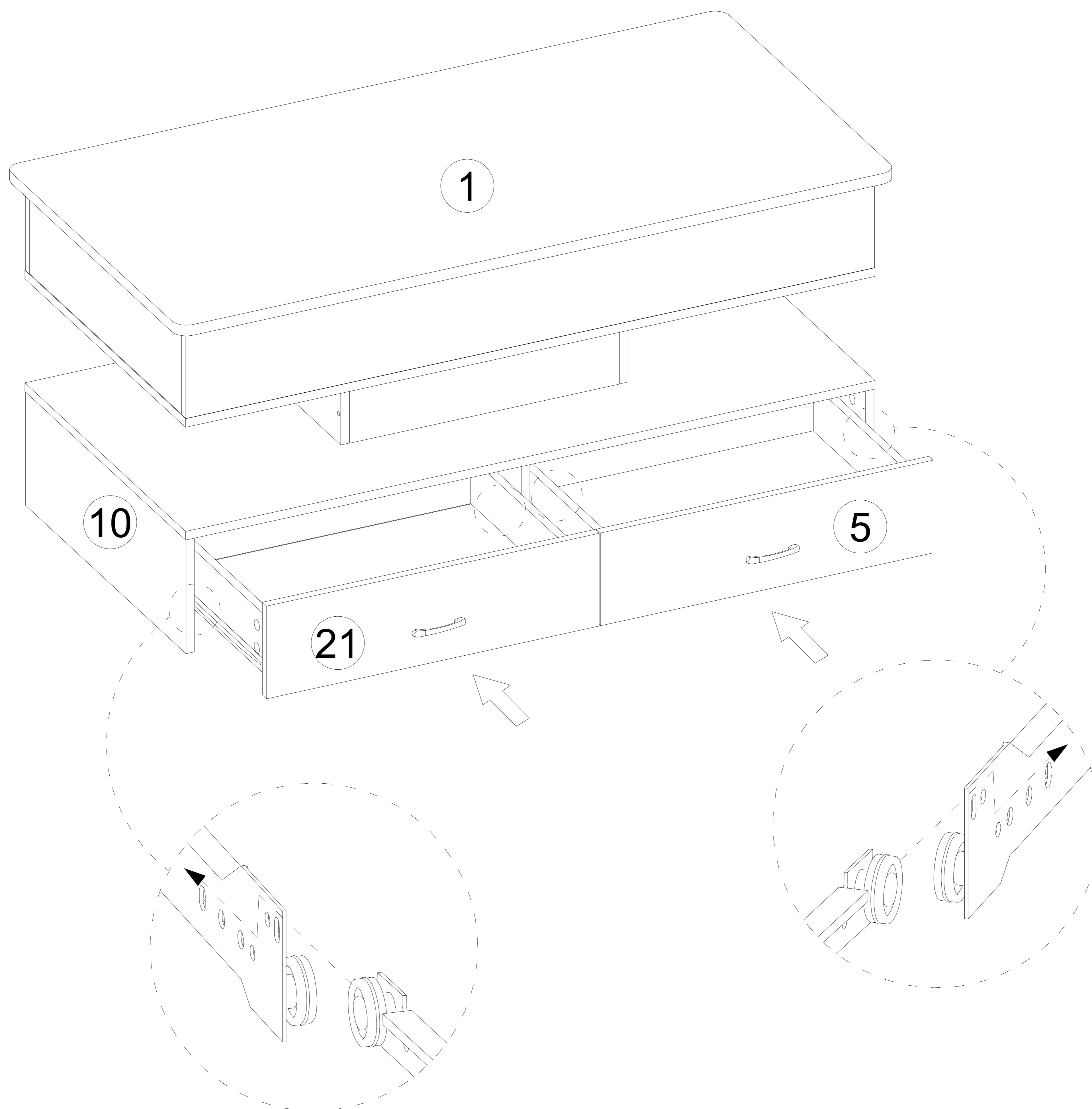


F	x1
	
F4	
	
F3	
	
H	x4
	
ø3.5x12mm	

ASSEMBLY INSTRUCTION

Step 32

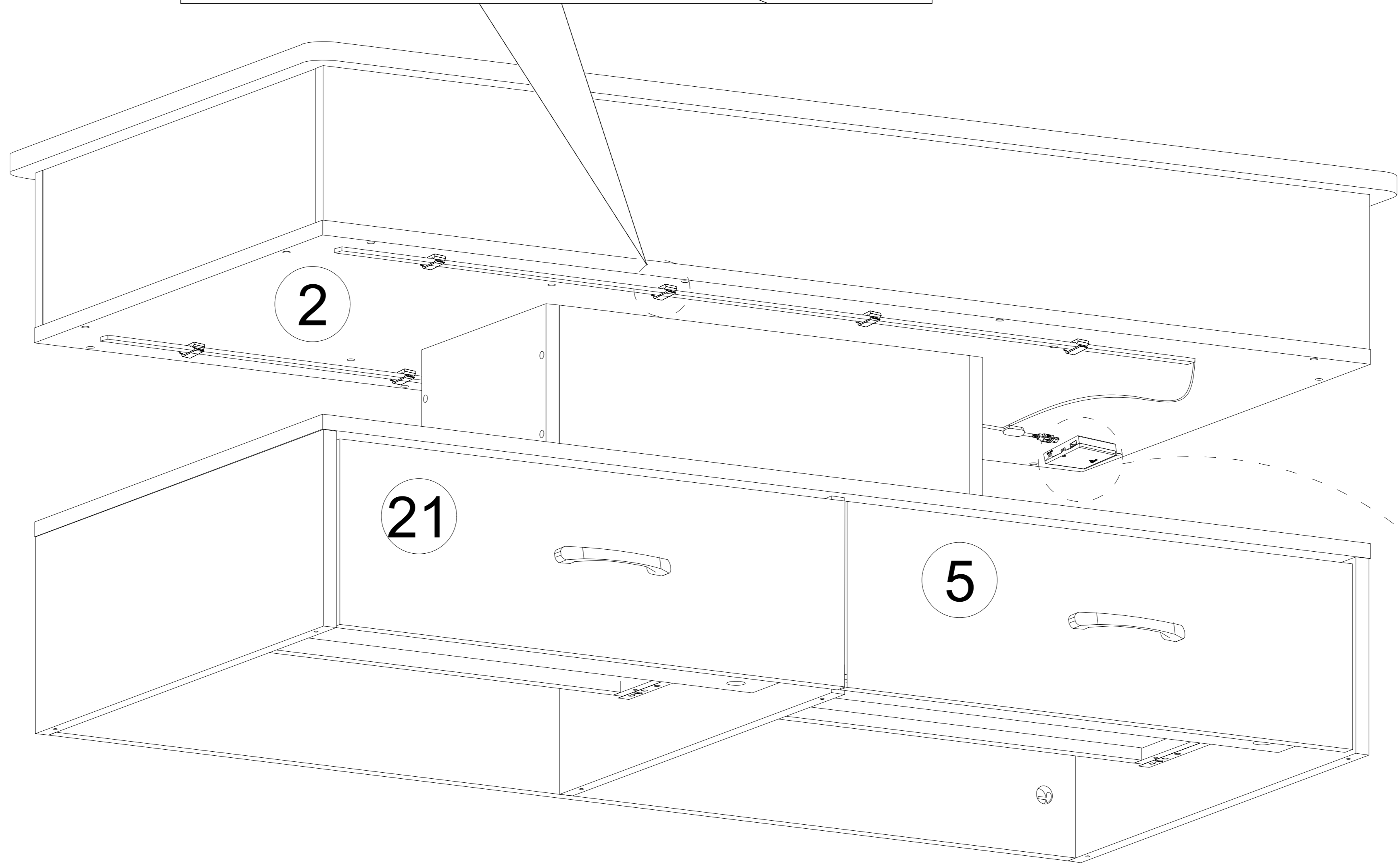
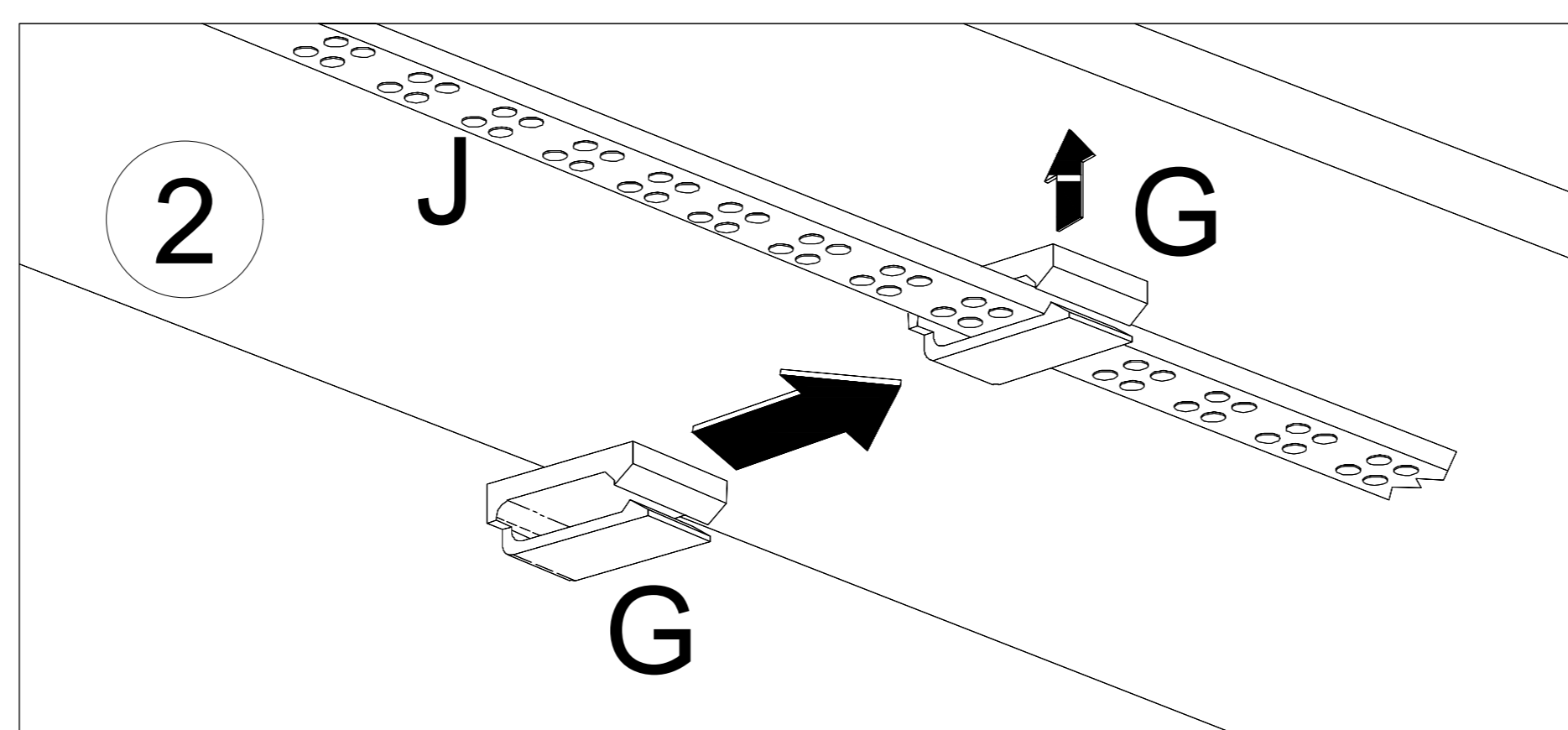
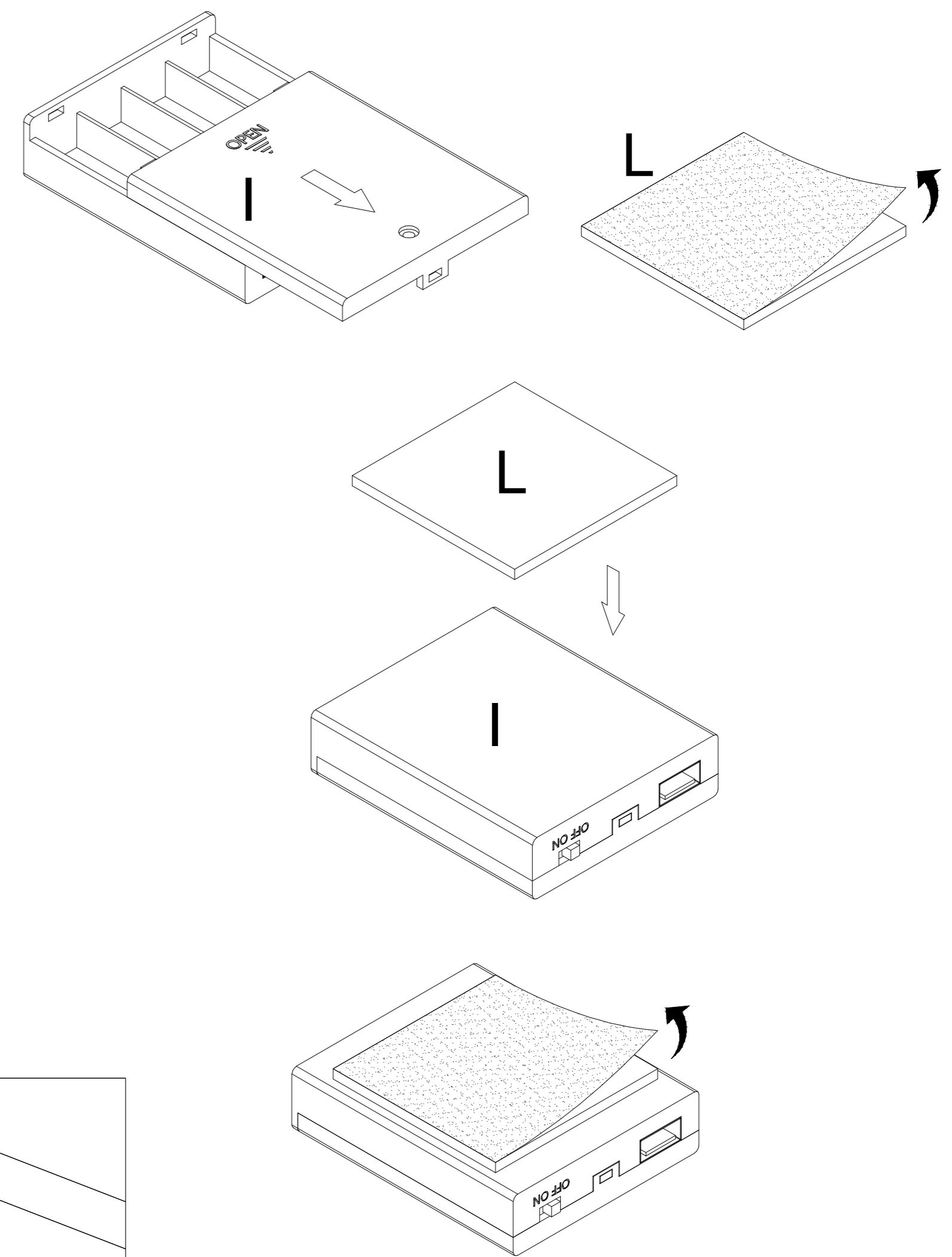
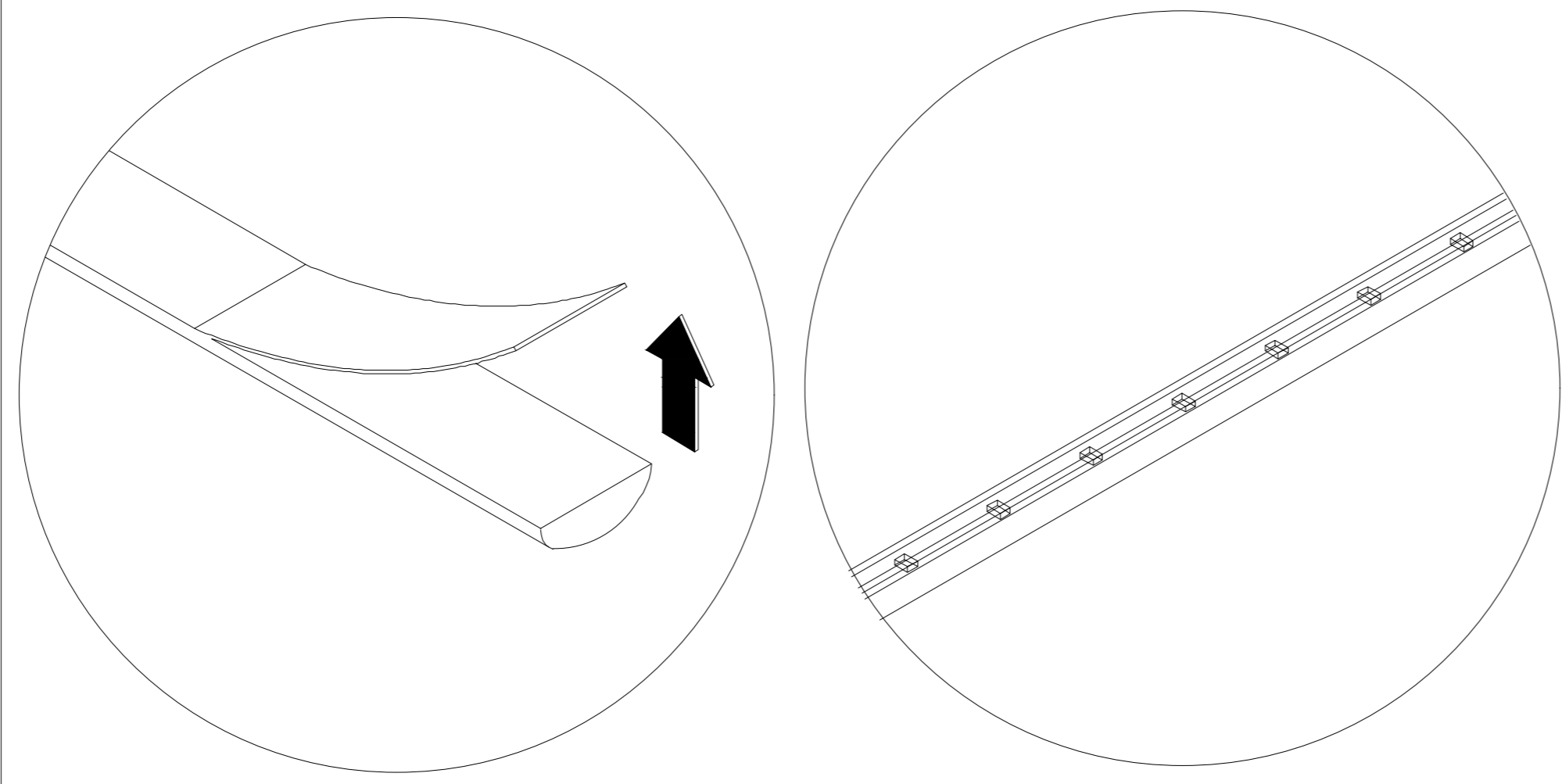
Note that these two drawers are different and cannot be swapped

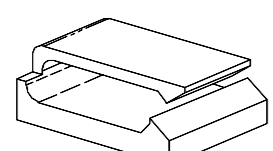
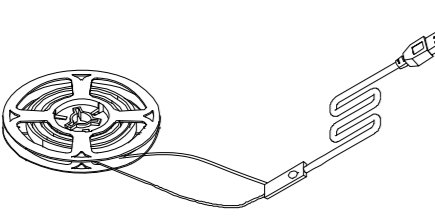
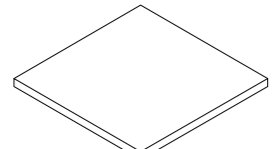
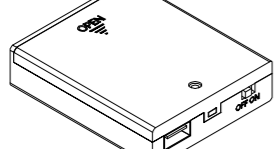


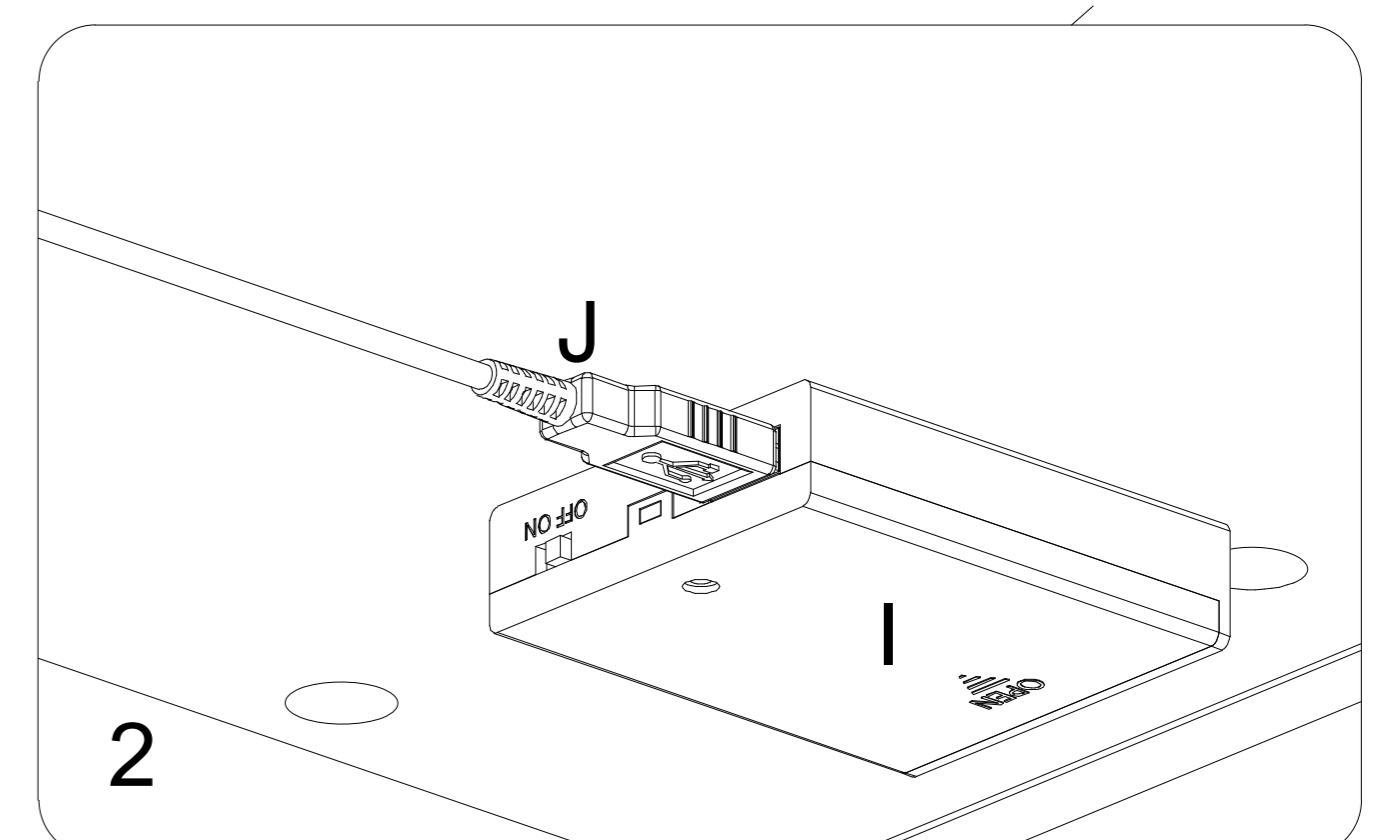
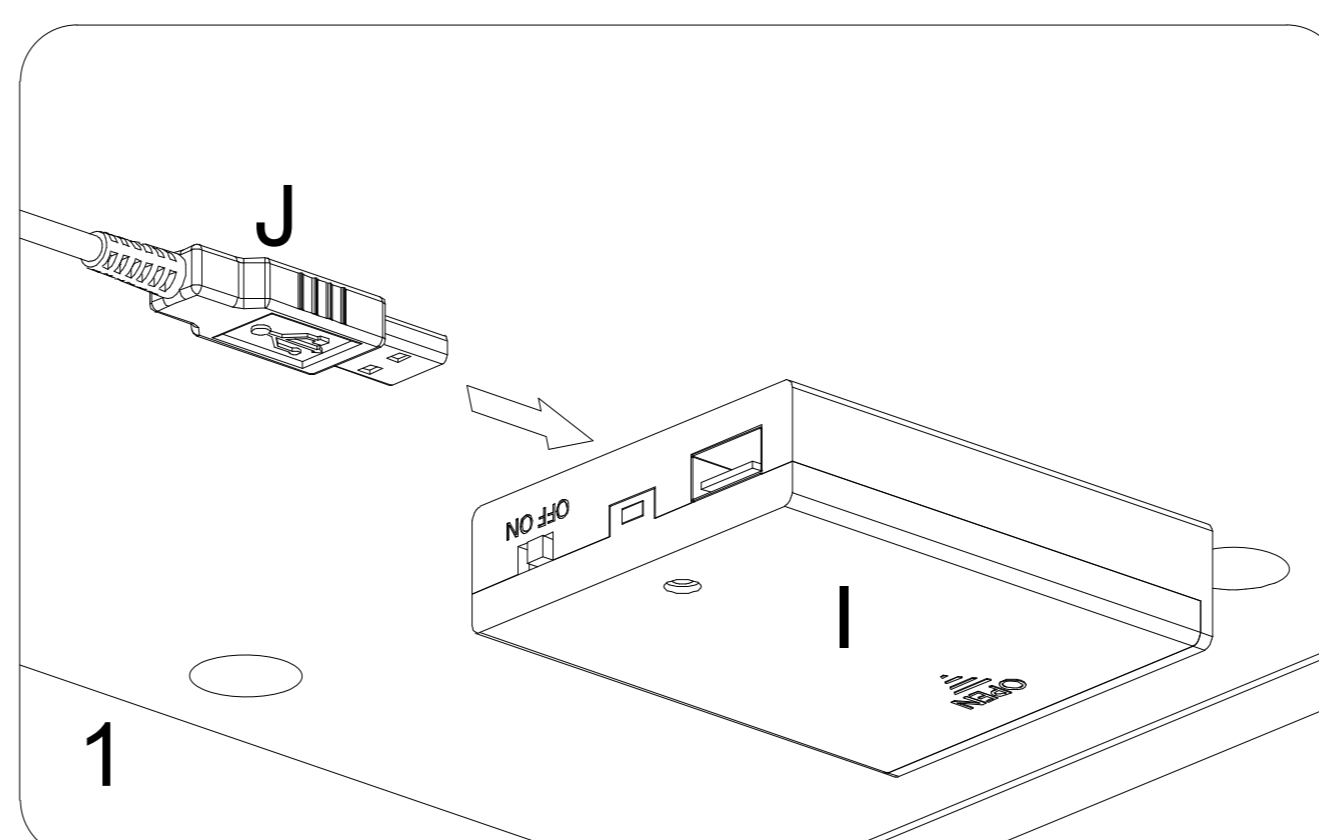
ASSEMBLY INSTRUCTION

Step 33

Tear off the tape and apply it to the plate, Then press it firmly with your hand



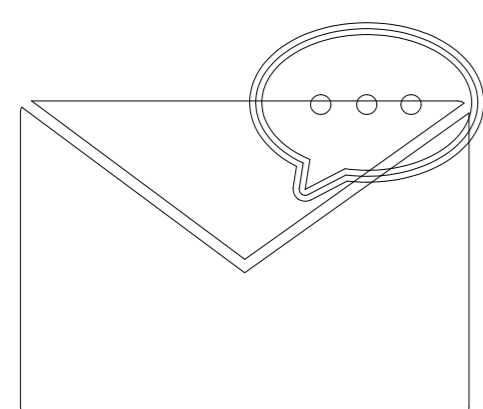
G	x8
	
J	x1
	
	0.85m
L	x 1
	
I	x 1
	





3-years Warranty

We guarantee your product is free from defects in product material and workmanship for three(3) years starting from the date of purchase during normal use of household conditions. If your appliance fails to operate properly within our warranty period, We will send the corresponding accessories, Replacement is free and all shipping costs are covered.



Quick Response within 24 Hours

If you are still unable to resolve the issue you are experiencing, please contact us immediately via our support email. It doesn't matter if the product has been installed or not, our customer support team will respond within 24 hours and assist you quickly and efficiently. The most efficient way to confirm your problem to us is to attach a video, which illustrates your product issues.

Problems You May Encounter

PART	PROBLEM	SOLUTION
whole Product	Parts are missing, defective or having wrong parts in package.	You can contact us and we will get back to you within 24 hours
	Having issue(s) while reading the instruction or completing the assembly.	Feel free to contact us and we will get back to you within 24 hours.
	Encountering non-human caused damage during usage.	If the product is damaged due to non-human causes, please keep the product and send us photos of it. We will ascertain the cause of the product damage within 48 hours and provide you with a satisfactory solution.
Table Surface	Board Surface is broken, scratched or lack of some screw holes.	Feel free to contact us and we will get back to you within 24 hours.
	The screw holes on the wooden board and other wooden boards are not aligned.	<ol style="list-style-type: none"> 1. Please tighten the screws on the board by 70%, do not tighten completely. 2. Adjust the wooden board and board. Until the holes are arranged neatly, then tighten all screws
	Desktop misalignment and unevenness	<ol style="list-style-type: none"> 1. Please tighten the screws connecting the table board to the elevator by 70%, do not tighten them completely. 2. Adjust to a flat and aligned desktop, then tighten the screws. 3. If your problem still can't be solved, please feel free to contact us.
Metal accessories	Metal accessories are damaged, rusted, bent, and broken.	Feel free to contact us and we will get back to you within 24 hours.
	The table is unstable after being assembled.	<ol style="list-style-type: none"> 1. Check if the screws are tightened. 2. Read throughout the manual, check are there any parts installed incorrectly or missing assembled. 3. If your problem still can't be solved, please feel free to contact us.
	Encountering non-human caused damage during usage.	If the product is damaged due to non-human causes, please keep the product and send us photos of it. We will ascertain the cause of the product damage within 48 hours and provide you with a satisfactory solution.