

www.veikous.com



customerservice@veikous.com

STOP

**MISSING A PART?
CALL US BEFORE GOING
BACK TO THE STORE**

The store where you made your purchase
Does not stock parts for this item.

If you have assembly questions or you are missing or
have damaged parts, please call

1-858-324-1911

(Mon - Sun, 10:00 am to 7:00 pm EST)

you can also e-mail customerservice@veikous.com

or visit www.veikous.com

Please prefer email contact. Due to busy lines,
there may be a wait for calls to be answered.

**Please have the following information ready when you contact us,
so we can assist you promptly.**

- Order number or PO number (you can find the info on your invoice, receipt or platform account).
- The model number of the product (printed on the package box).
- Description of the part from the parts list.

-
- Read entire assembly manual, paying special attention to the important tips and safety information .
 - Ensure there are no missing pieces by first separating and identifying all parts.
 - Make sure to check packing material for small parts that may have fallen out during shipment.
 - Structures are not intended for public use. The Company does not warranty any of its residential structures subjected to commercial use such as: Daycare, Preschool, Nursery School, Recreational Park, or any similar Commercial Application.
 - This manual contains helpful information concerning assembly preparation, installation procedure and required maintenance.
 - Always keep safety in mind as your structure is being built.
 - Keep these instructions for future reference.

Required tools

Electric drill



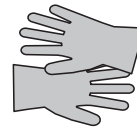
Tape Measure (5M)



Pencil



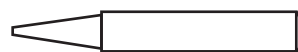
Gloves



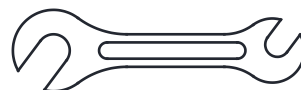
Ladder



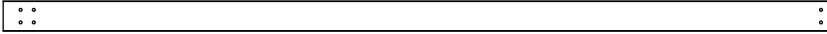
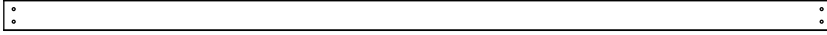

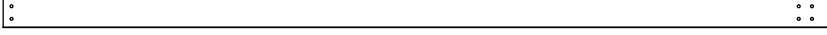
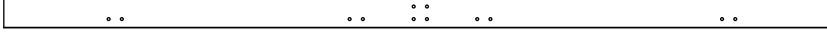
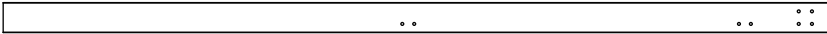


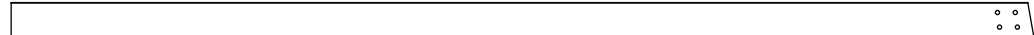

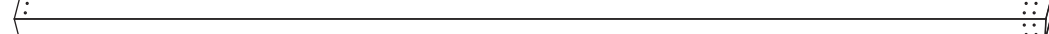

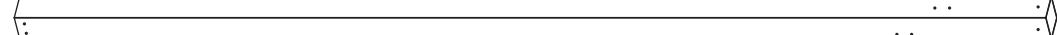

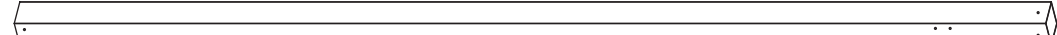

Acrylic latex
exterior caulking



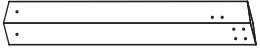
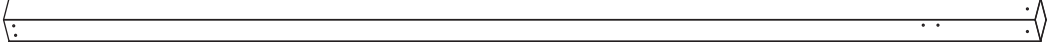
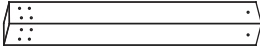
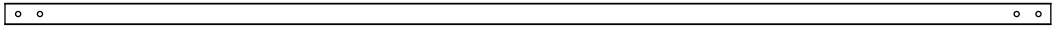

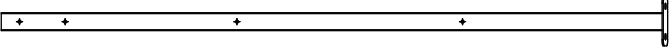
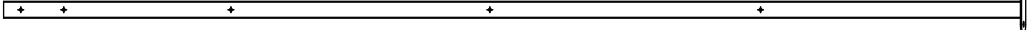
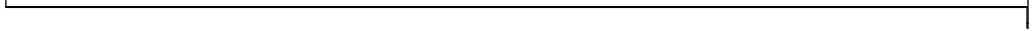
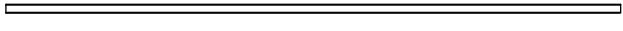
Spanner




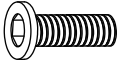
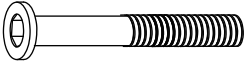
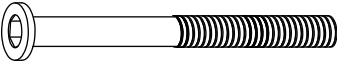




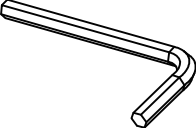
Parts List

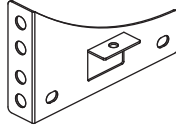
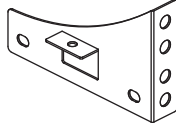
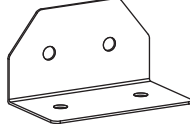
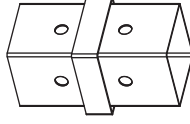
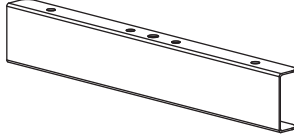
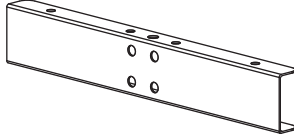
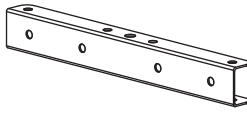
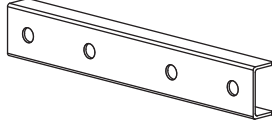
| | |
|---|-------|
|  | Ⓐ x1 |
|  | Ⓐ1 x1 |
|  | Ⓐ2 x1 |
|  | Ⓐ3 x1 |
|  | Ⓐ4 x1 |
|  | Ⓐ5 x1 |
|  | Ⓑ x1 |
|  | Ⓑ1 x1 |
|  | Ⓑ2 x1 |
|  | Ⓑ3 x1 |
|  | Ⓒ x1 |
|  | Ⓒ1 x2 |
|  | Ⓒ2 x1 |
|  | Ⓒ3 x1 |
|  | Ⓒ4 x1 |
|  | Ⓒ5 x1 |

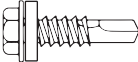
Parts List

| | |
|---|-------|
|  | Ⓒ6 x1 |
|  | Ⓒ7 x1 |
|  | Ⓒ8 x1 |
|  | Ⓓ x2 |
|  | Ⓓ1 x2 |
|  | Ⓔ x4 |
|  | Ⓔ1 x4 |
|  | Ⓕ x10 |
|  | Ⓕ1 x5 |

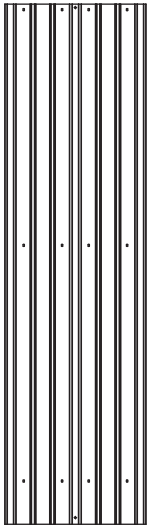
Parts List

| | |
|---|--------|
|  | Ⓐ x44 |
|  | Ⓑ x228 |
|  | Ⓓ x20 |
|  | Ⓔ x14 |
|  | Ⓕ x14 |
|  | Ⓖ x16 |
|  | Ⓗ x1 |
|  | Ⓙ x1 |
|  | Ⓟ x1 |

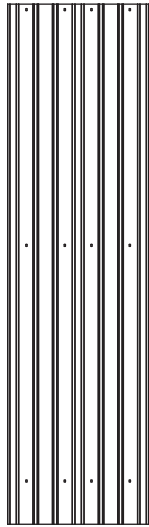
| | |
|--|-------|
|  | Ⓞ x5 |
|  | Ⓡ x5 |
|  | Ⓙ x22 |
|  | Ⓚ x3 |
|  | Ⓛ x4 |
|  | Ⓜ x2 |
|  | Ⓝ x6 |
|  | Ⓞ x10 |
| | |

| | |
|---|--------|
|  (in box 5) | Ⓕ x439 |
|---|--------|

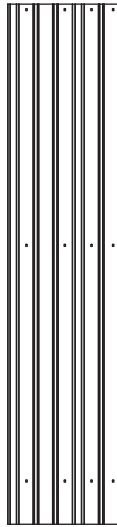
Steel Components



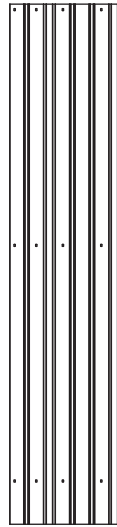
PE3
3PCS



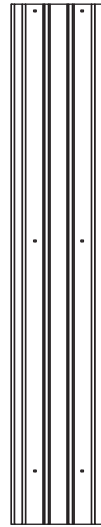
PE4
36PCS



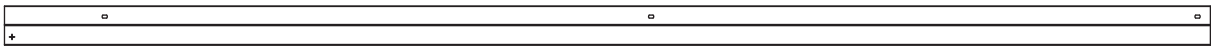
PE5
3PCS



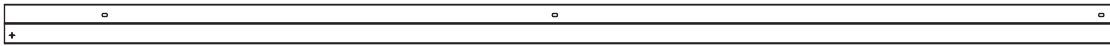
PE6
3PCS



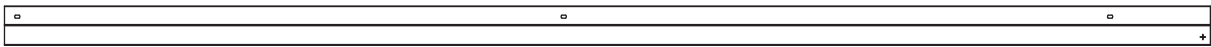
PE7
3PCS



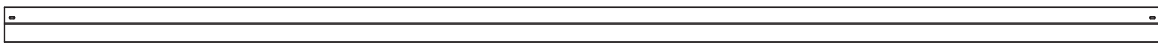
M9 1PC



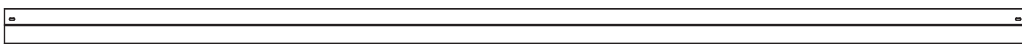
M9A 4PCS



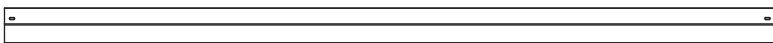
M10 1PC



M11 2PCS

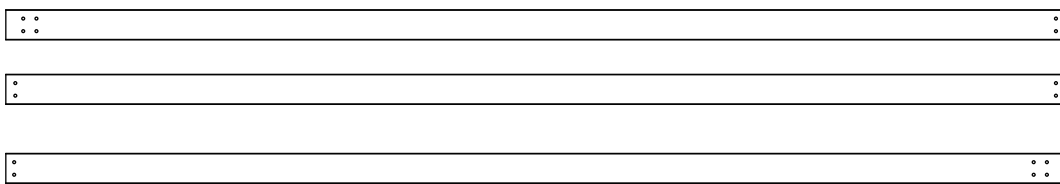
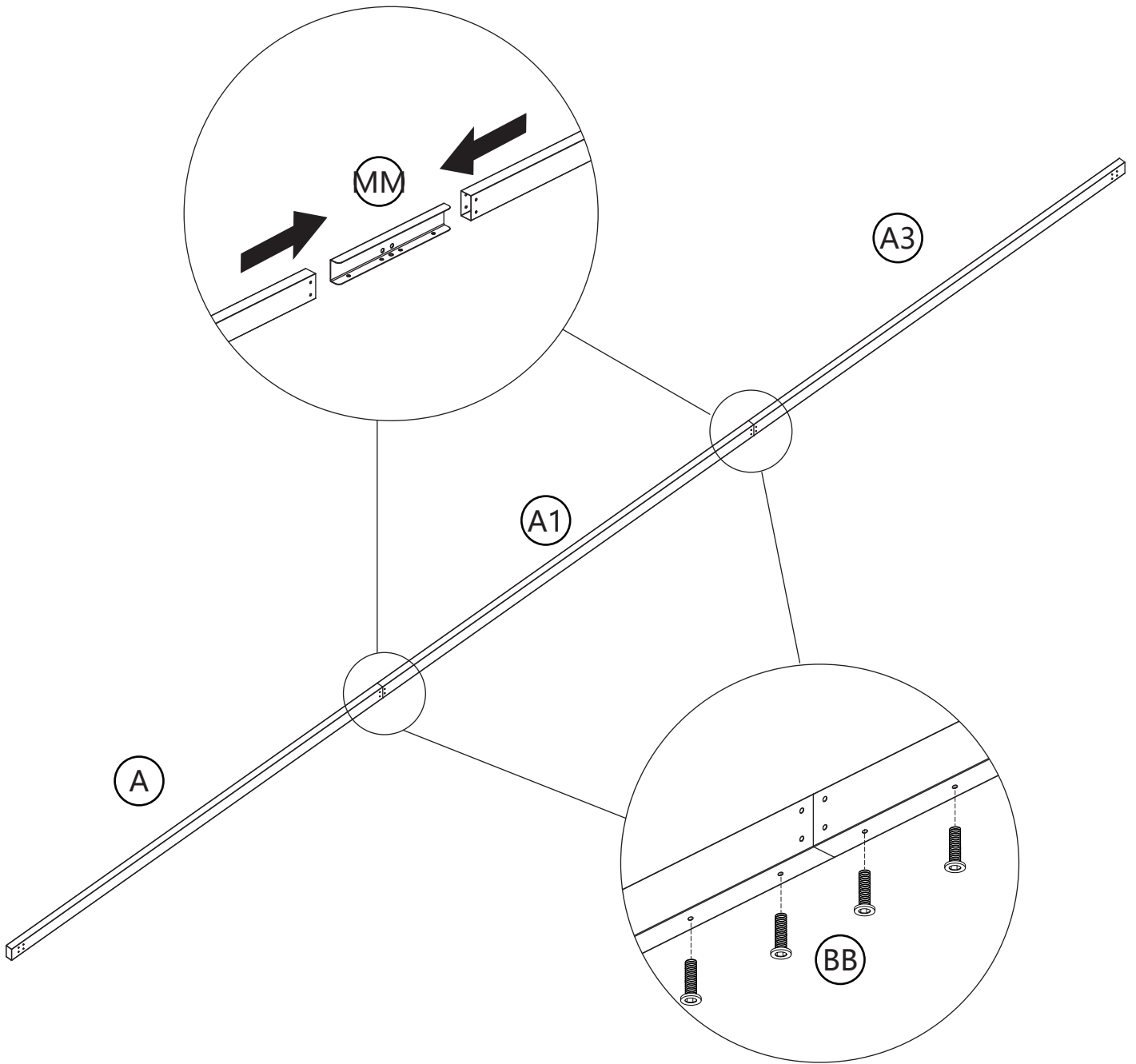


M11A 1PC



M11B 1PC

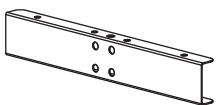
Step 1



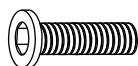
(A) x1

(A1) x1

(A3) x1

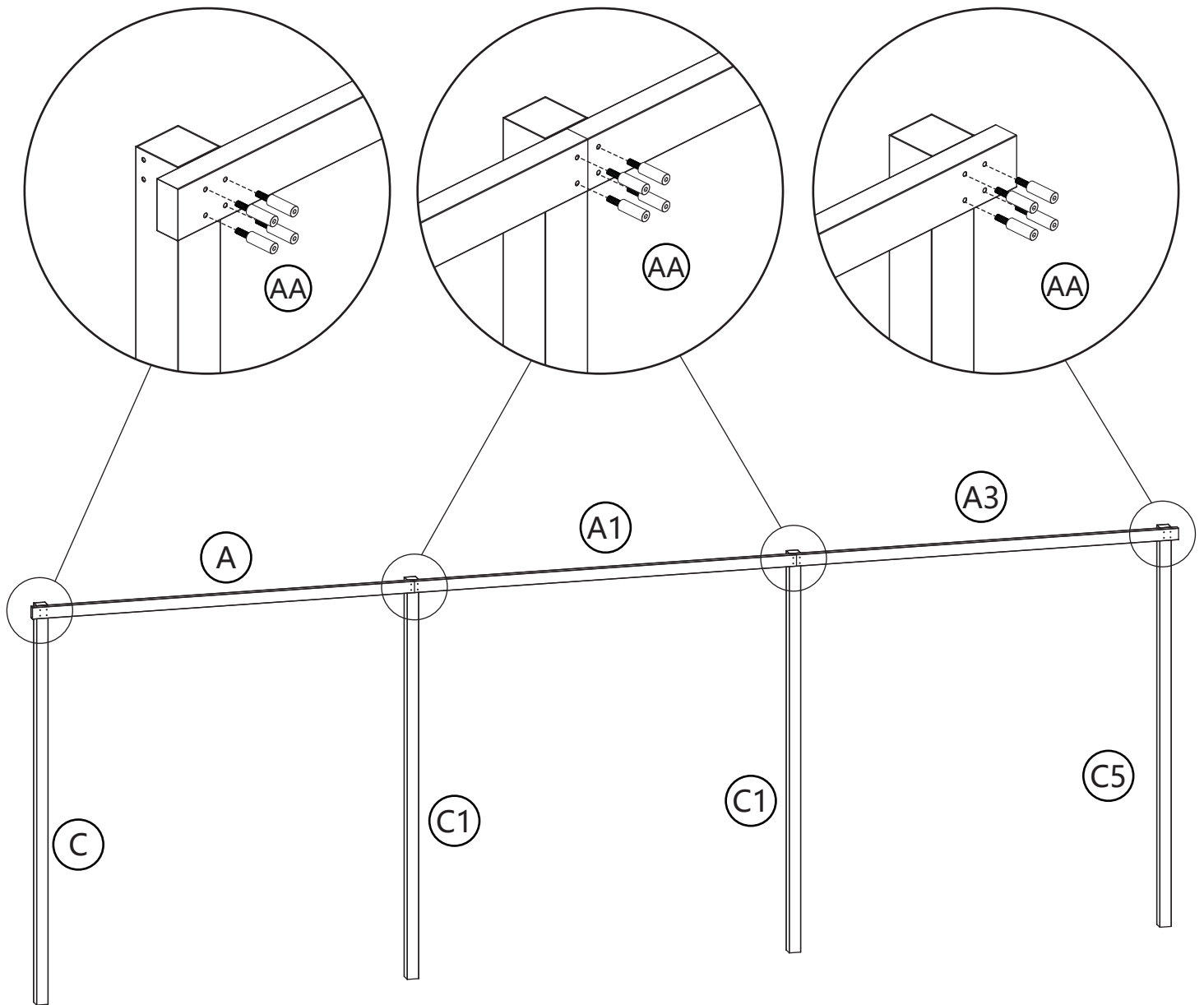


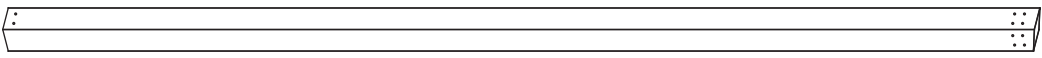
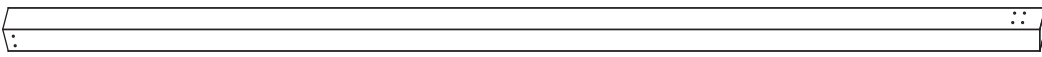
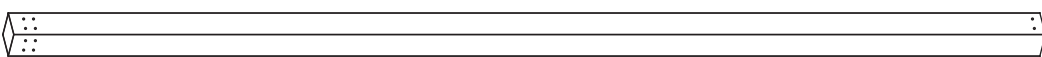
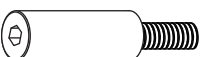
(MM) x2



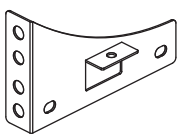
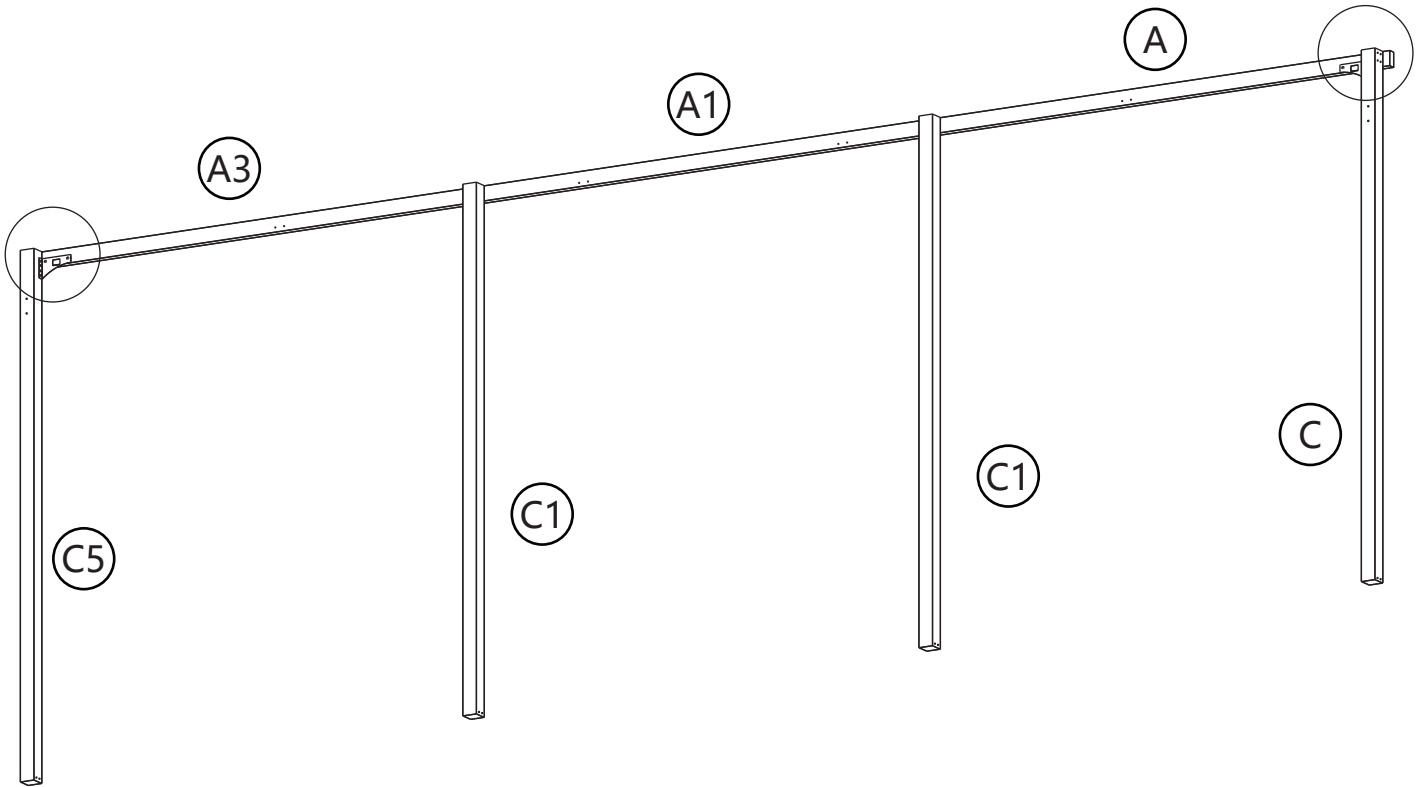
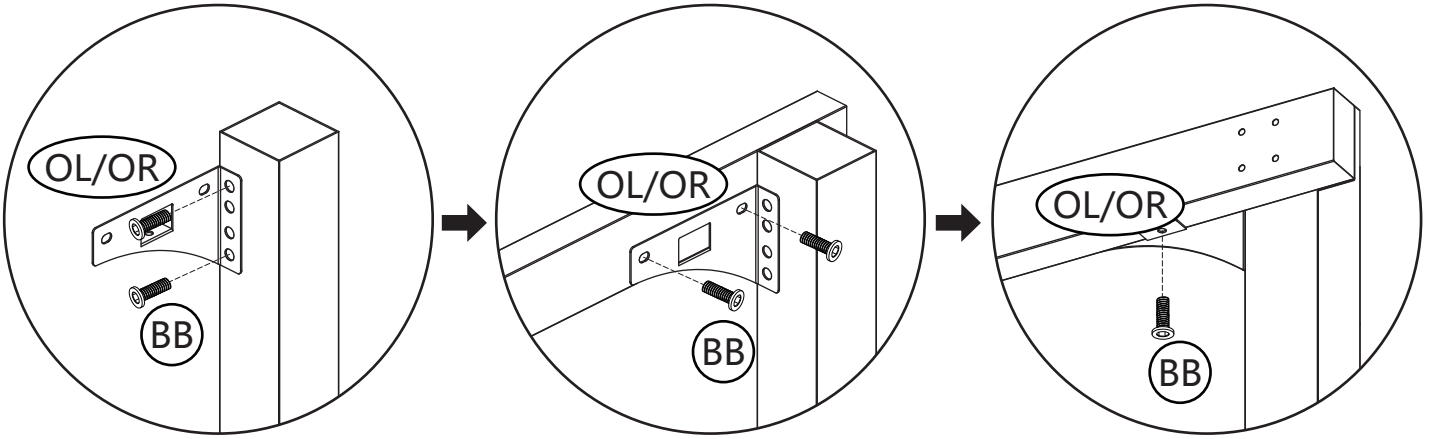
(BB) x8

Step 2

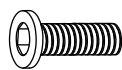


| | |
|--|---------|
|  | (C) x1 |
|  | (C1) x2 |
|  | (C5) x1 |
|  (AA) x16 | |

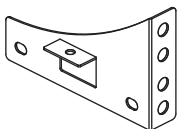
Step 3



OL x1

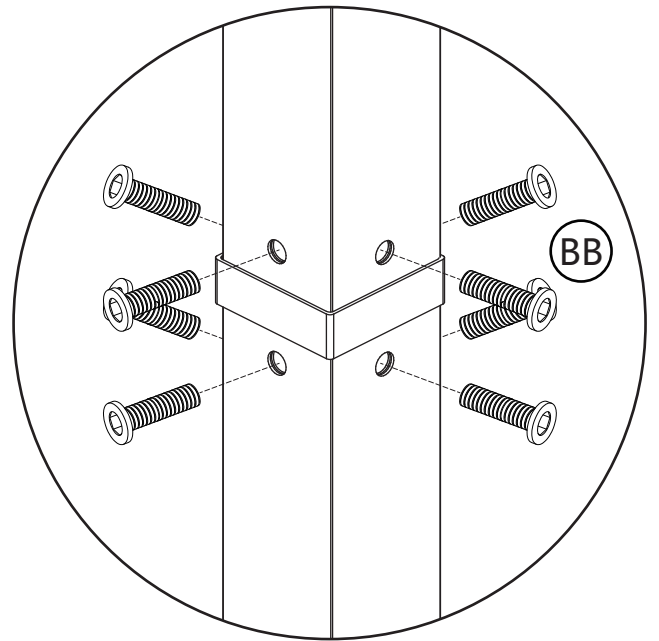
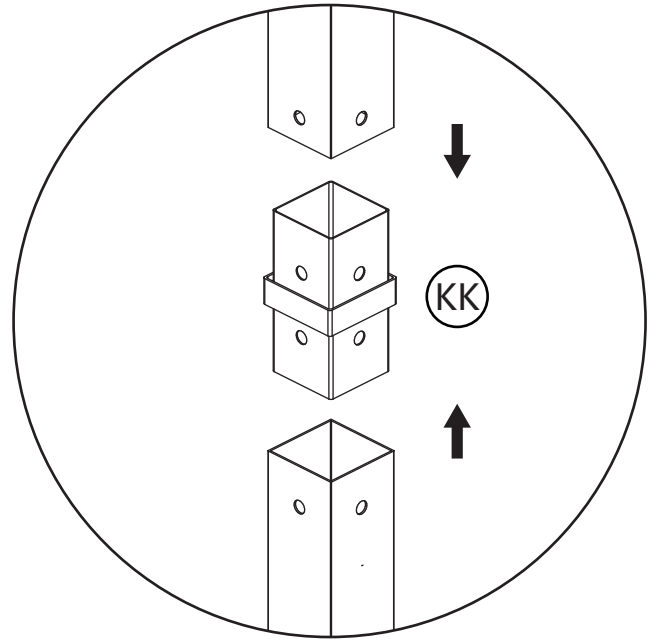
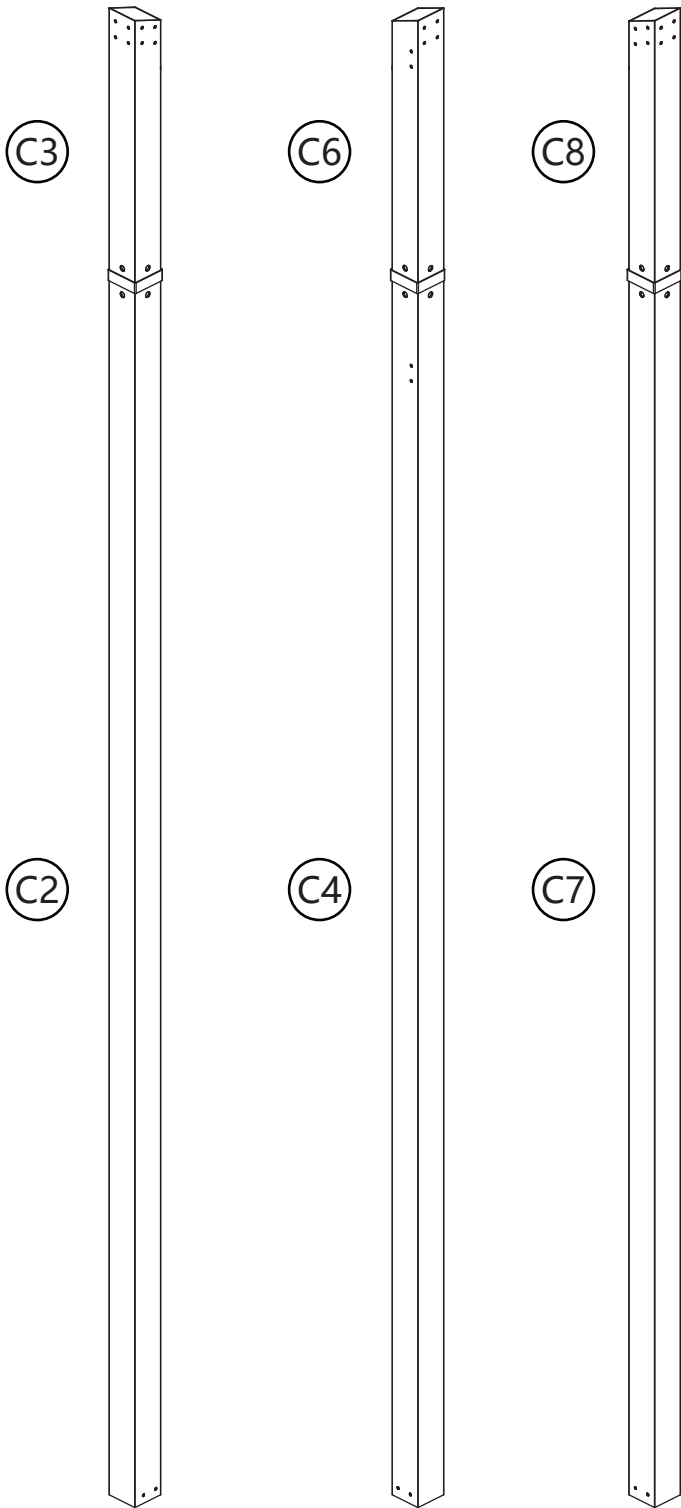


BB x10



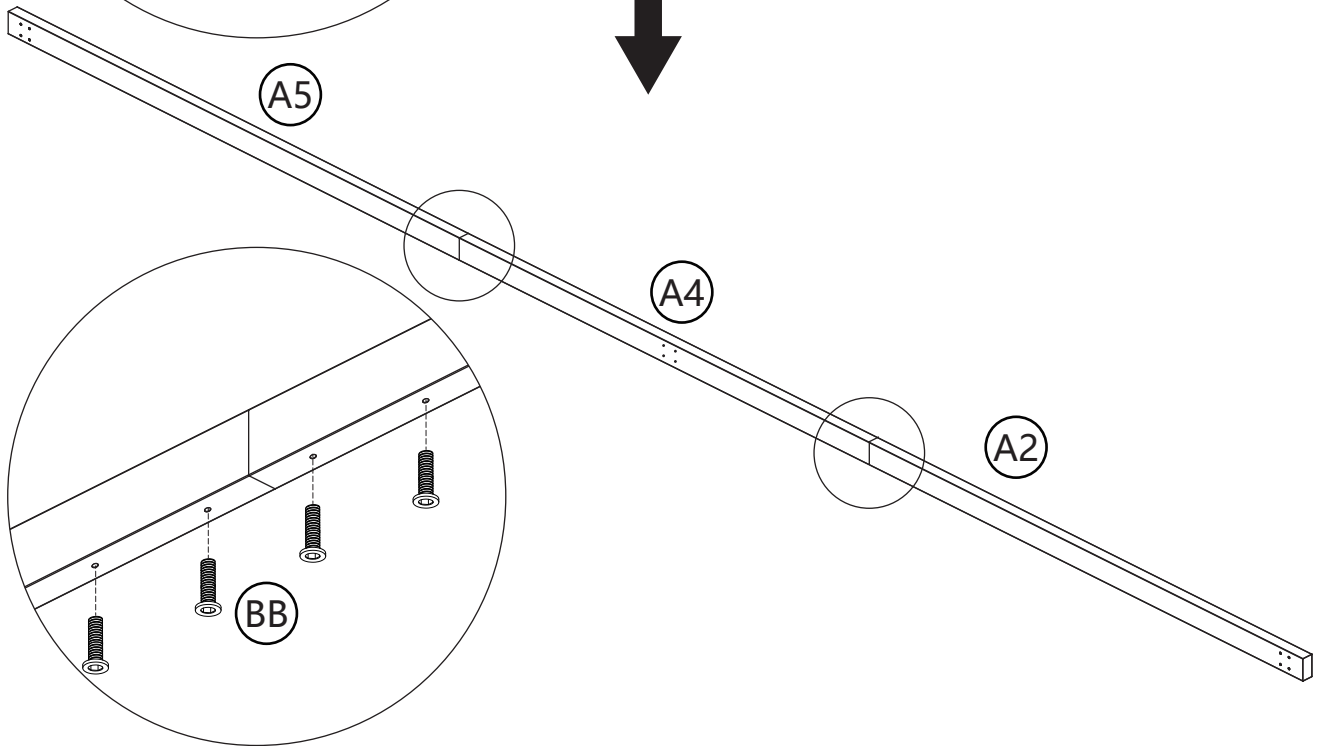
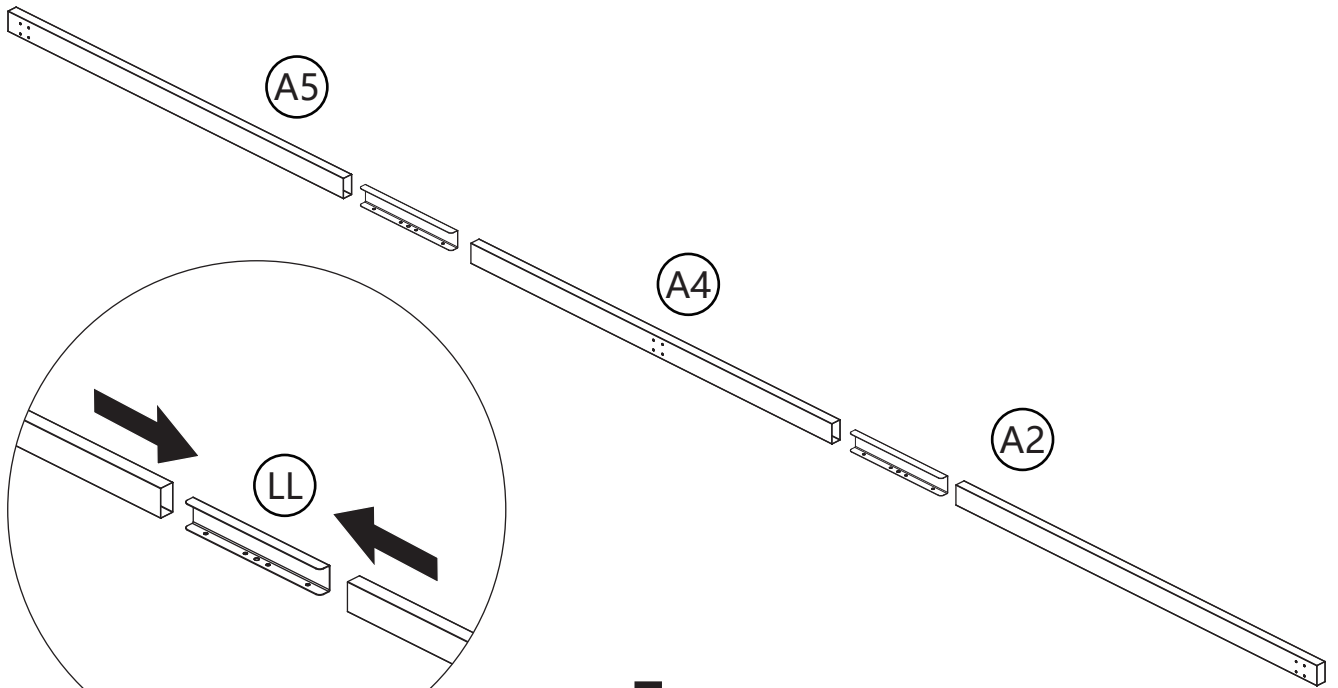
OR x1

Step 4



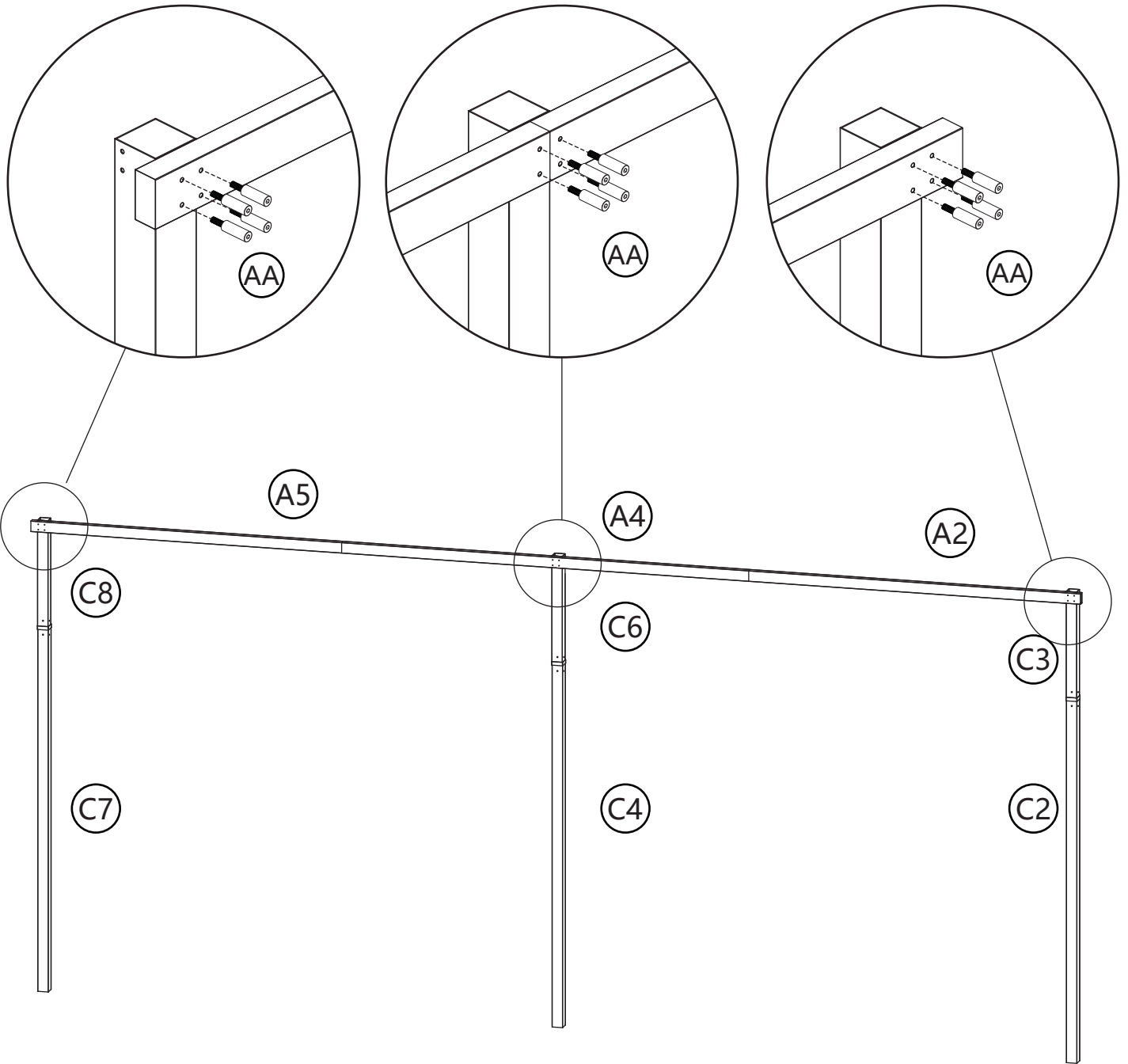
| | | | |
|--|---------|--|----------|
| | (C2) x1 | | (KK) x3 |
| | (C3) x1 | | |
| | (C4) x1 | | |
| | (C6) x1 | | (BB) x24 |
| | (C7) x1 | | |
| | (C8) x1 | | |

Step 5-1



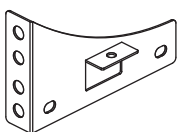
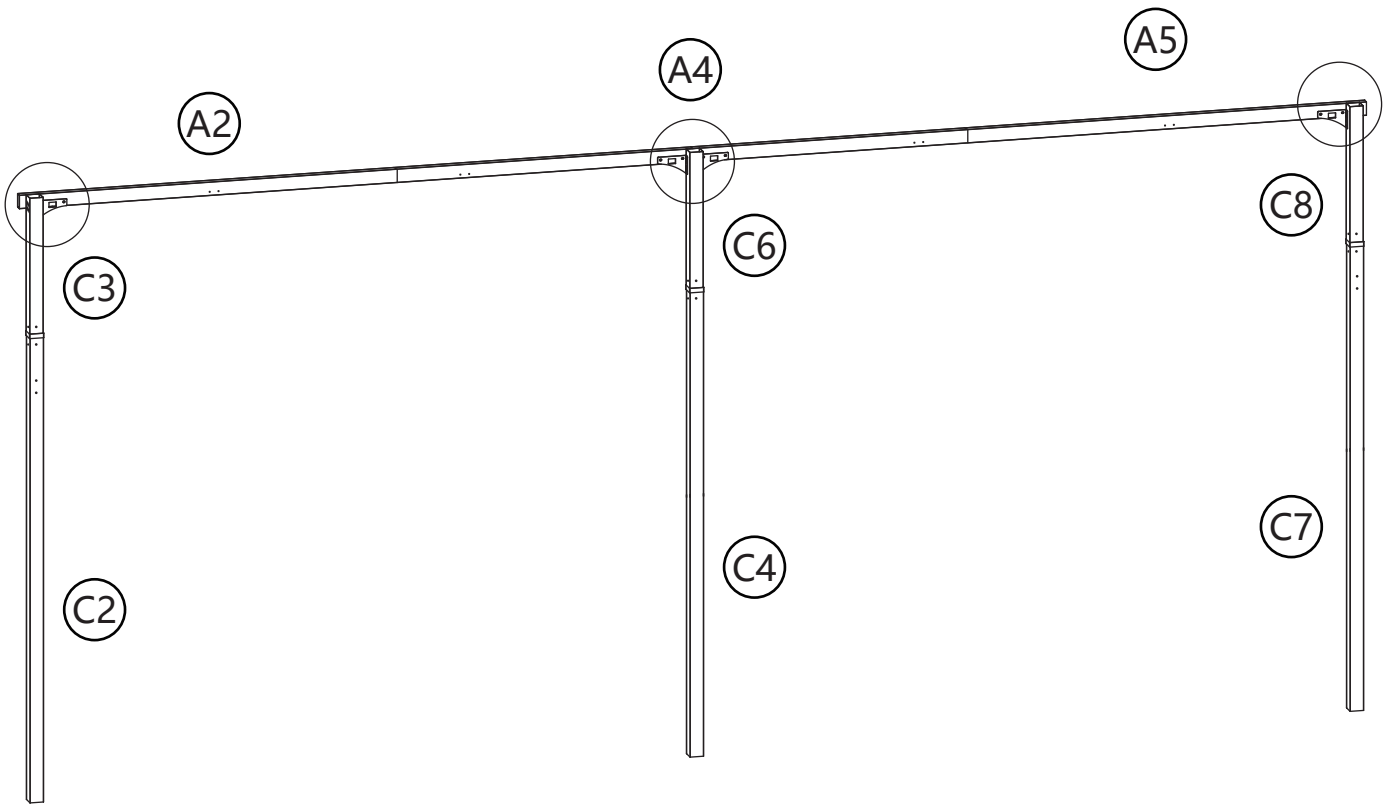
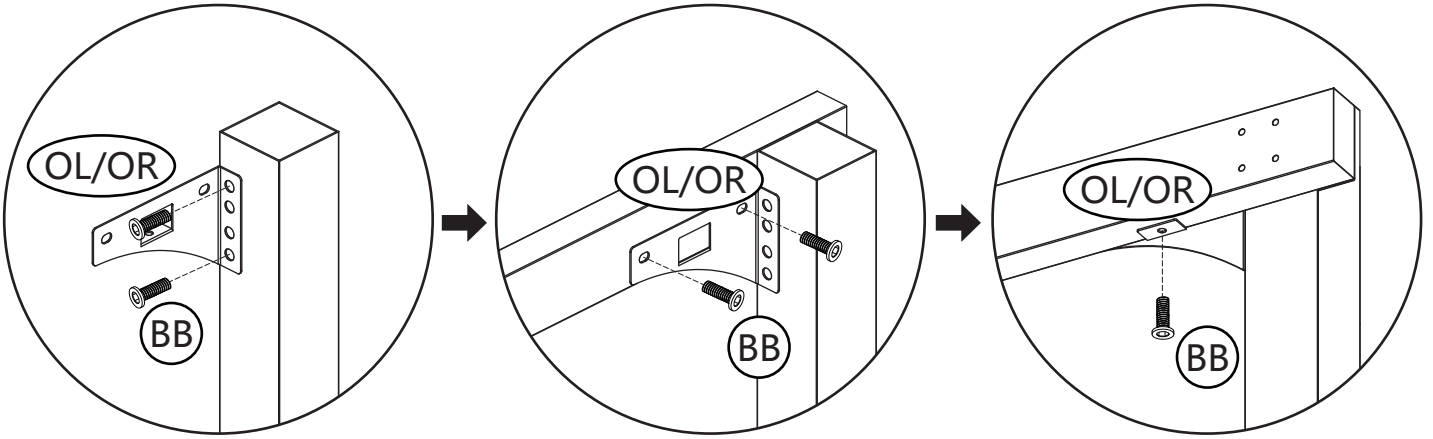
| | |
|--|---------|
| | (A2) x1 |
| | (A4) x1 |
| | (A5) x1 |
| | (LL) x2 |
| | (BB) x8 |

Step 5-2

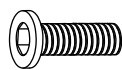


AA x12

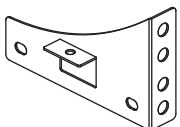
Step 6-1



⓪L x2

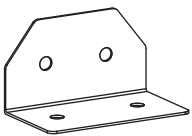
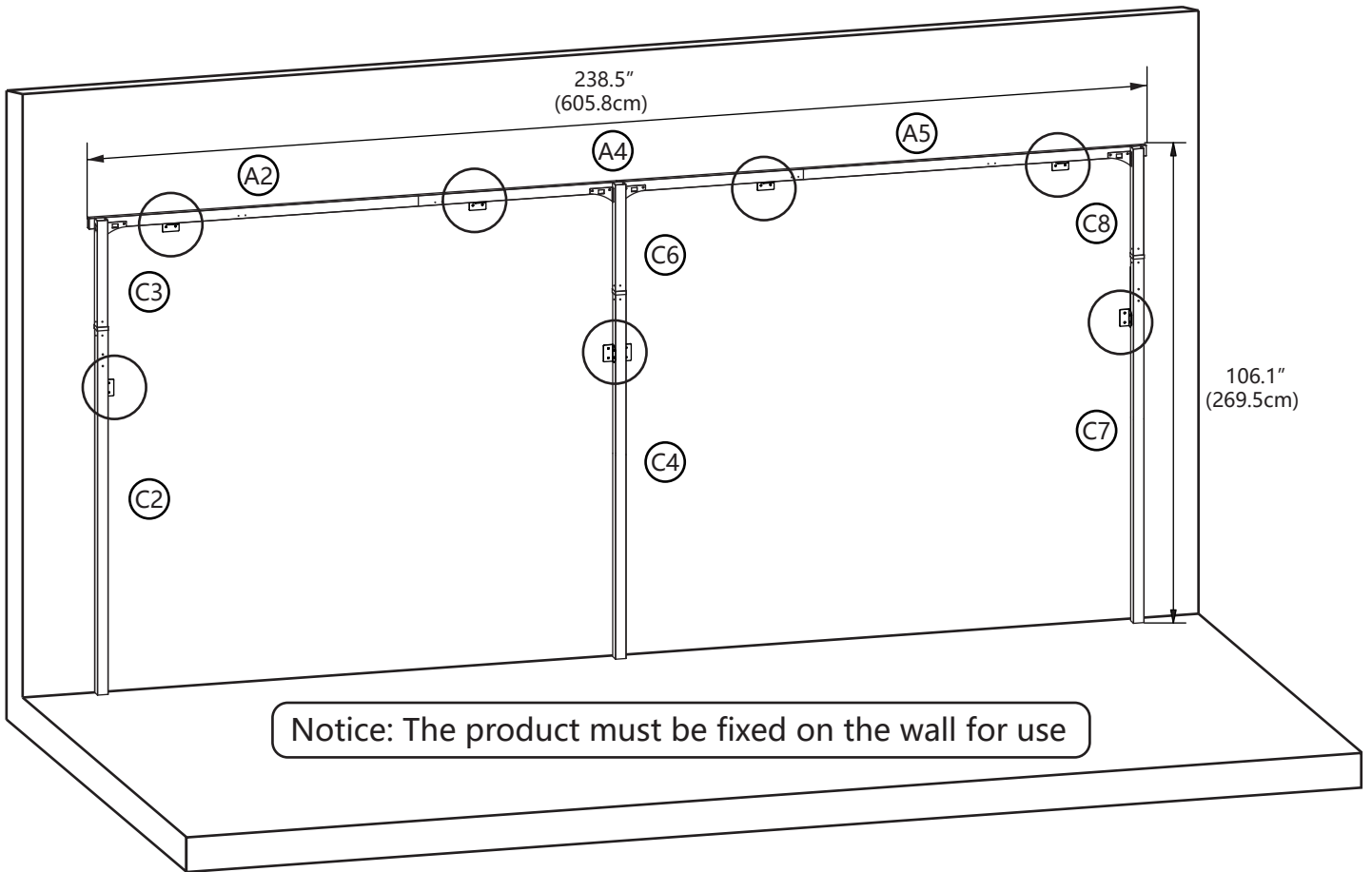
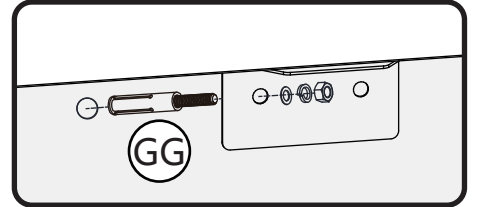
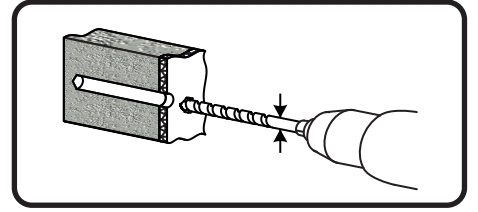
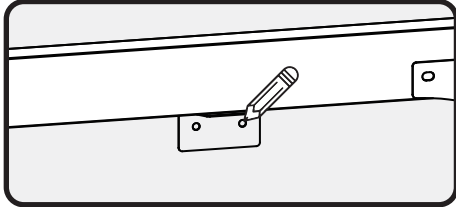
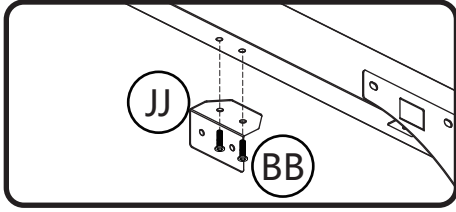


⓪B x20

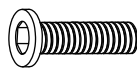


⓪R x2

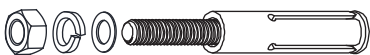
Step 6-2



Ⓝ JJ x8

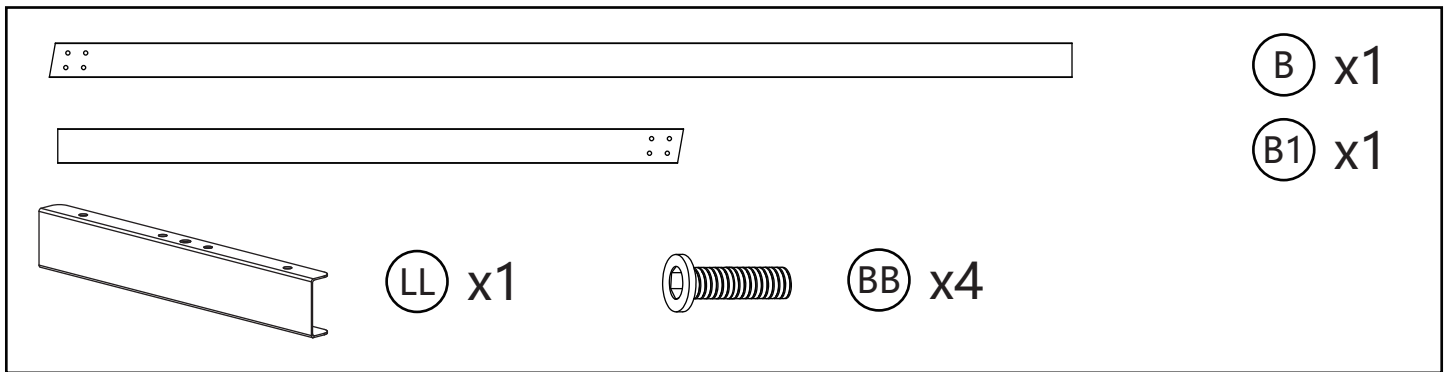
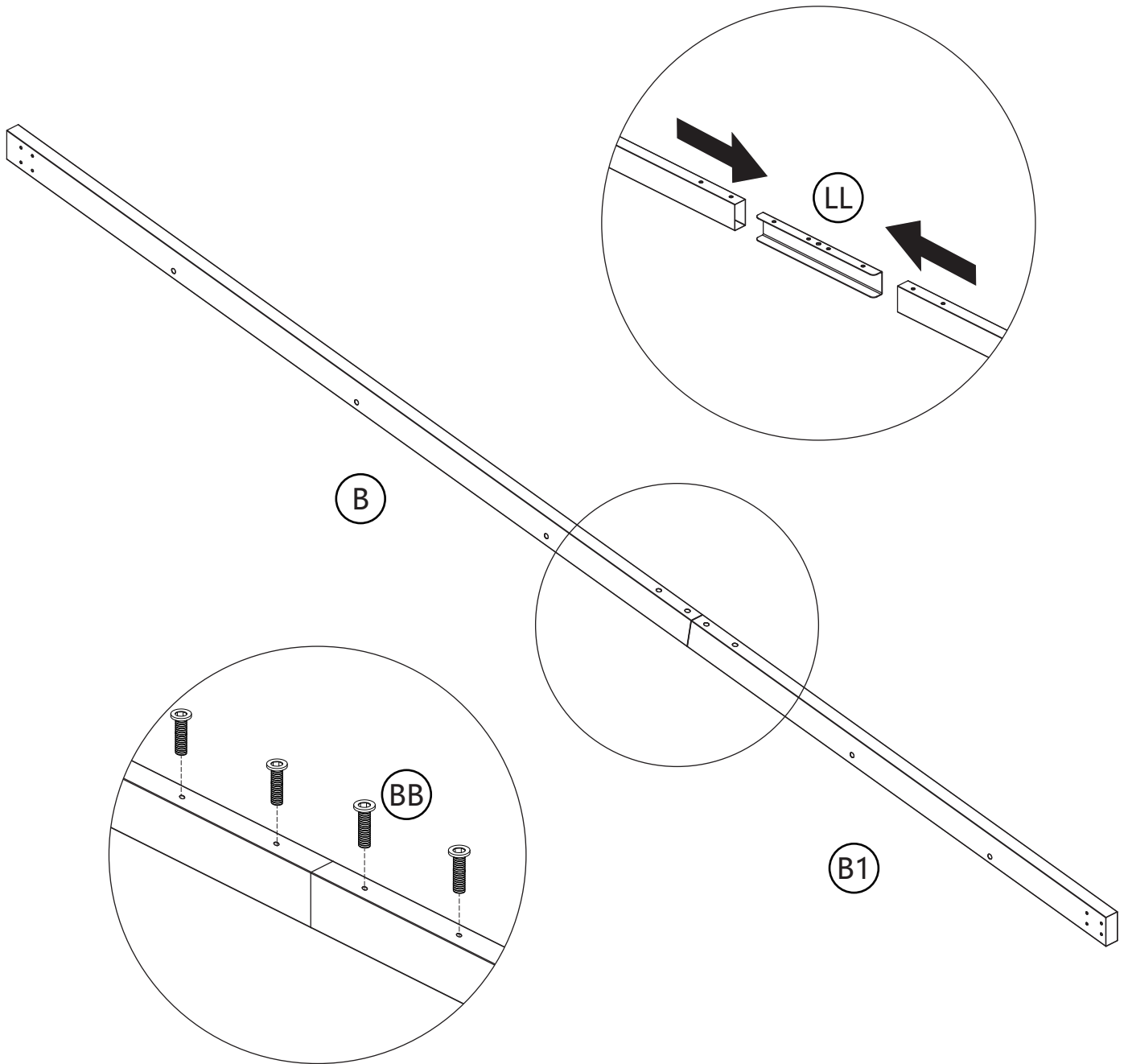


Ⓝ BB x16

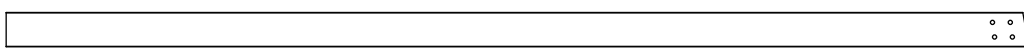
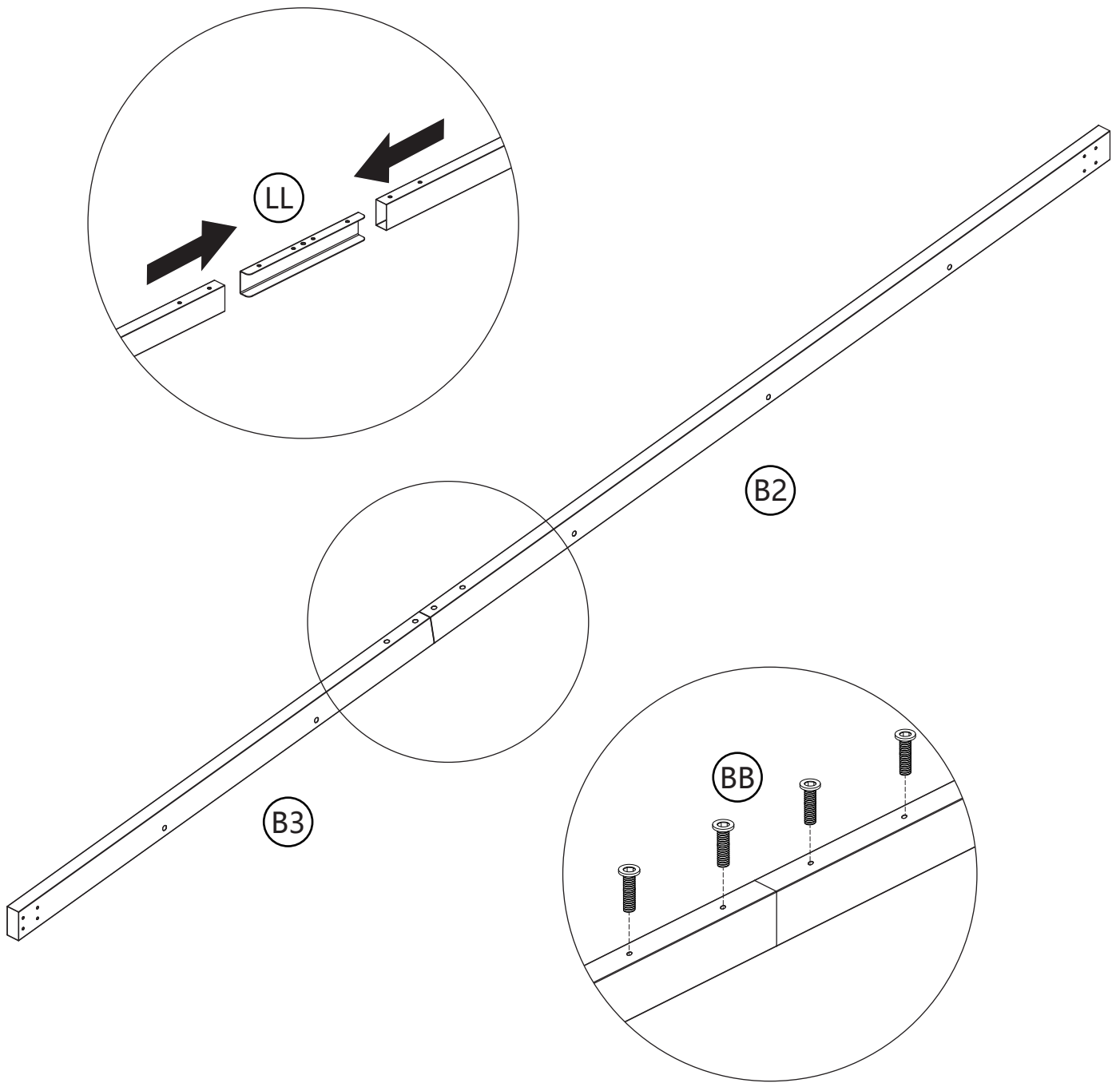


Ⓝ GG x16

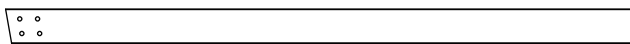
Step 7-1



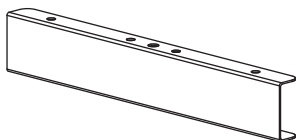
Step 7-2



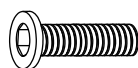
(B2) x1



(B3) x1

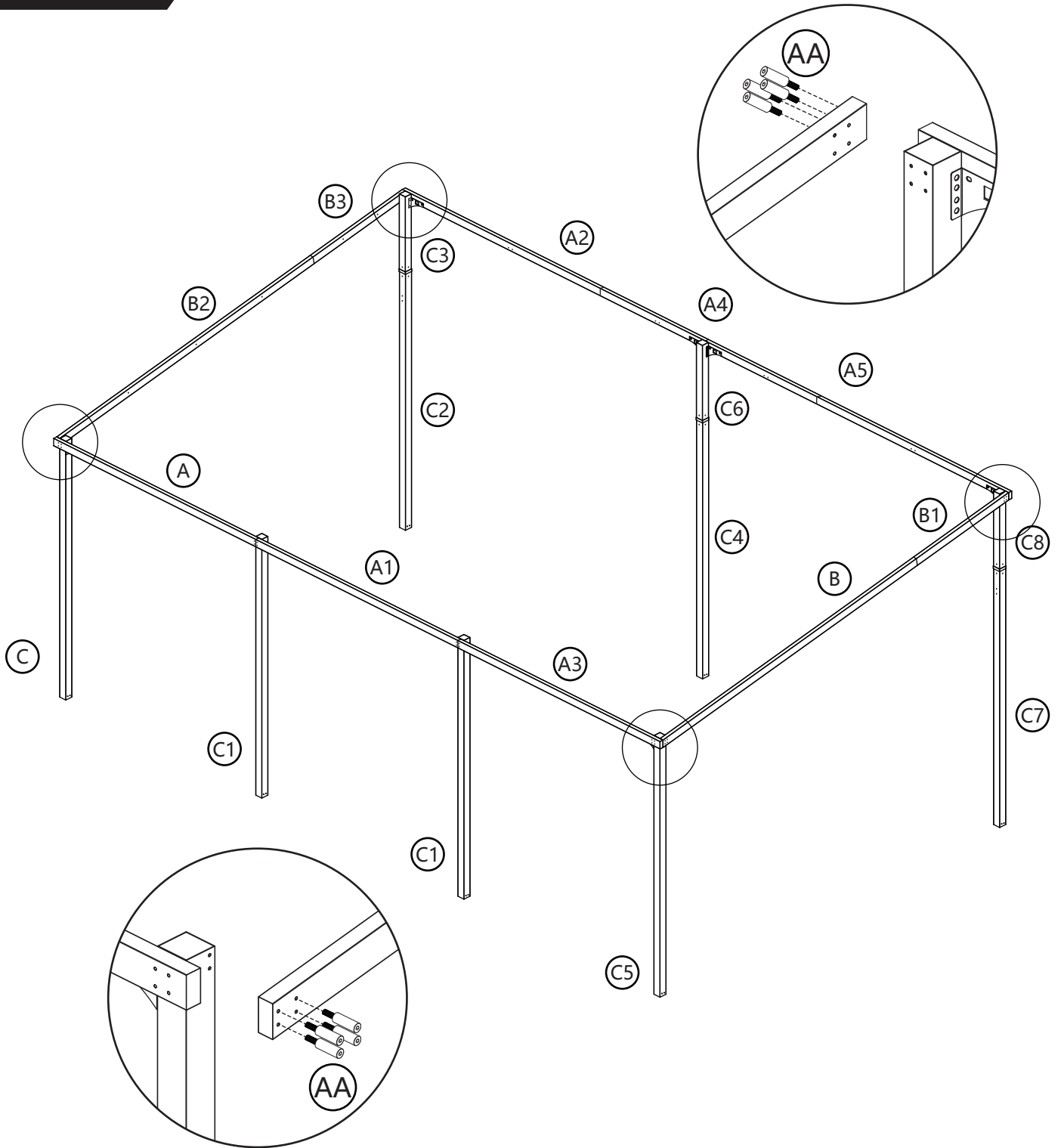


(LL) x1



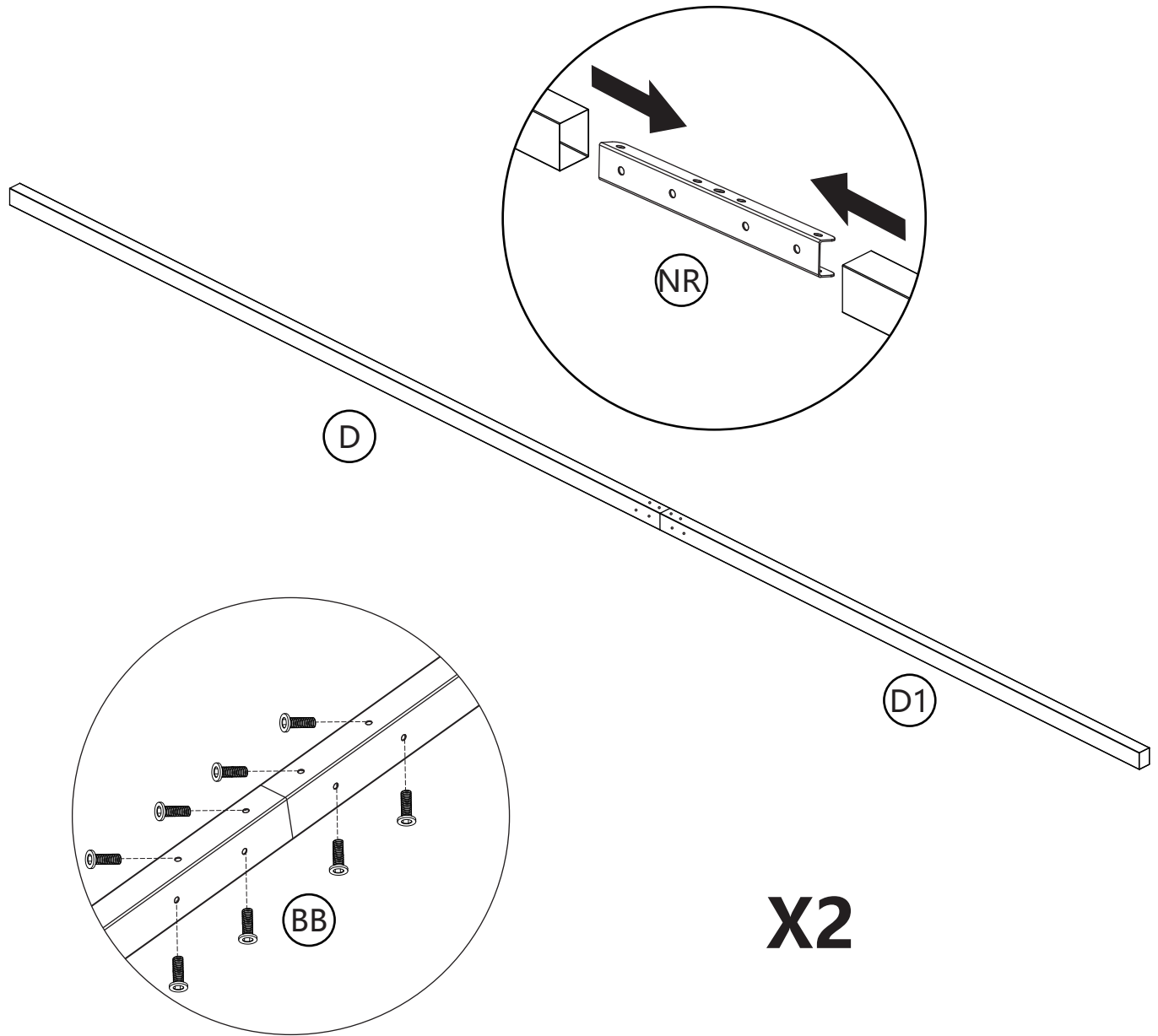
(BB) x4

Step 8

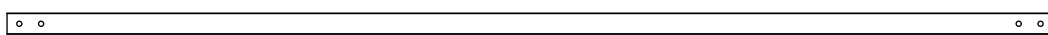


AA x16

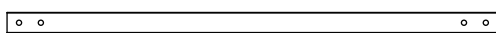
Step 9-1



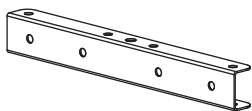
X2



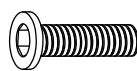
D x2



D1 x2

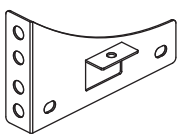
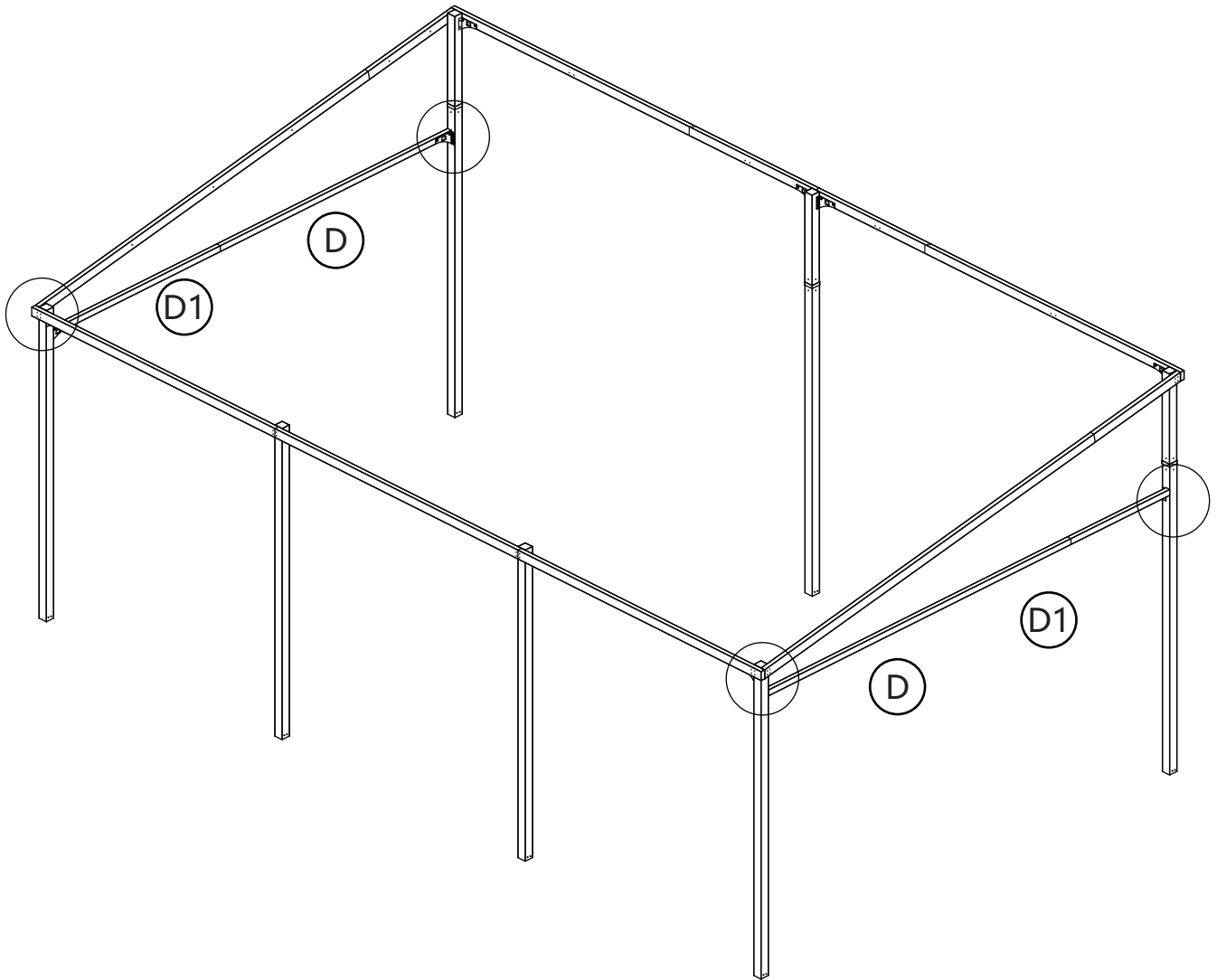
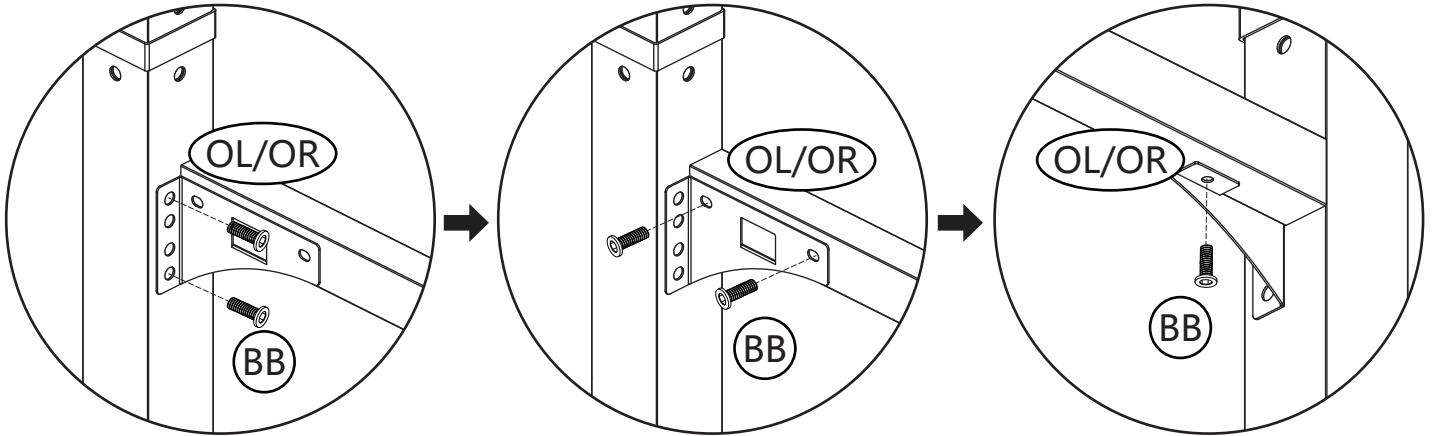


NR x2

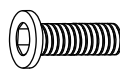


BB x16

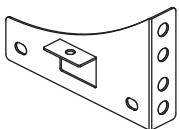
Step 9-2



OL x2

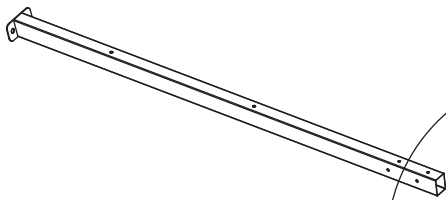


BB x20

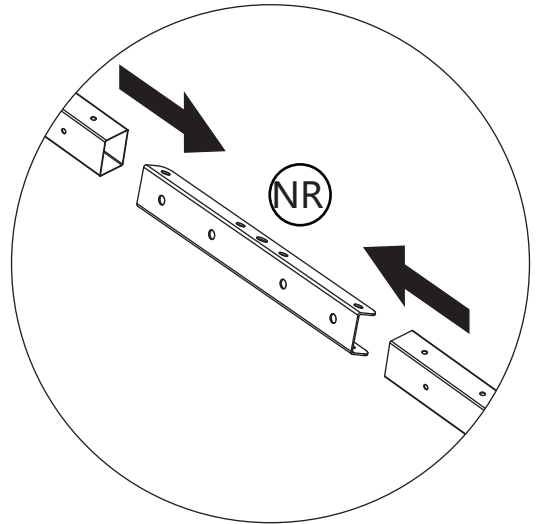
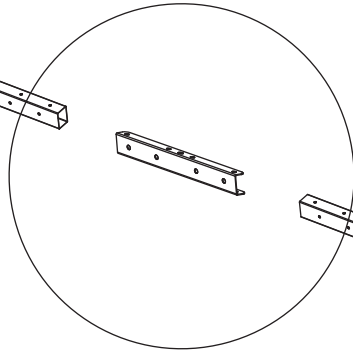


OR x2

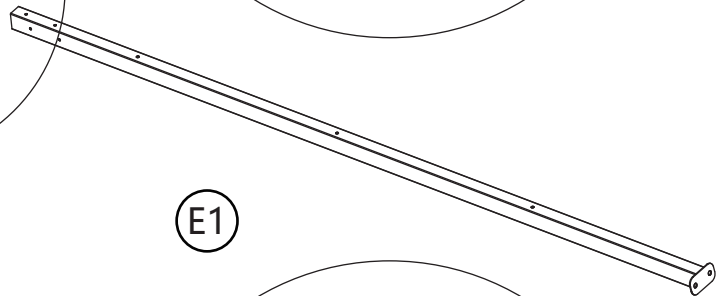
Step 10



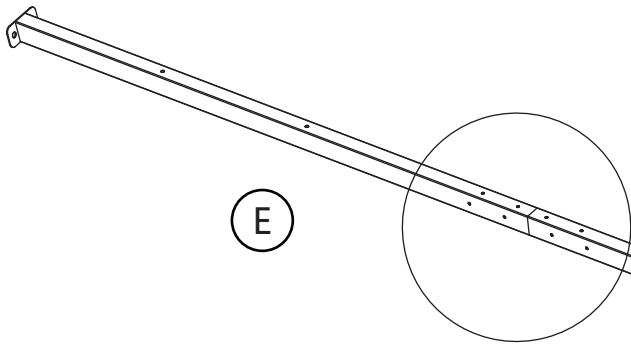
(E)



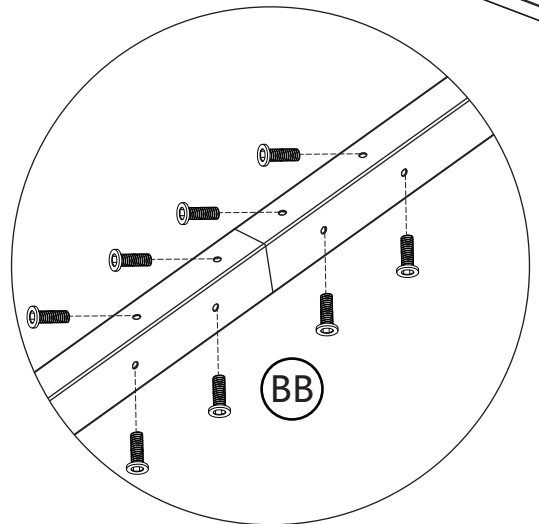
(NR)



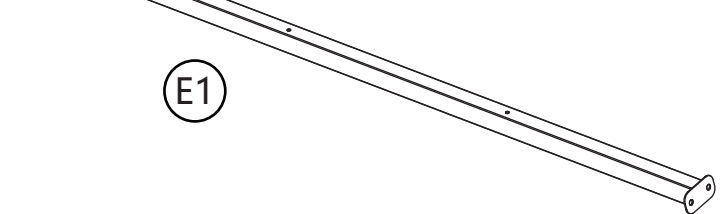
(E1)



(E)

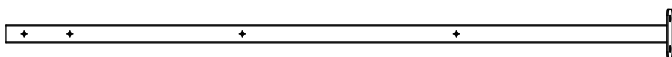


(BB)

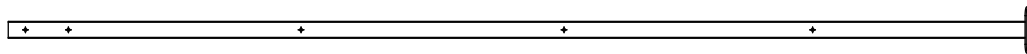


(E1)

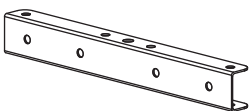
X4



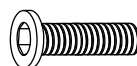
(E) x4



(E1) x4

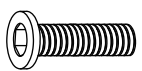
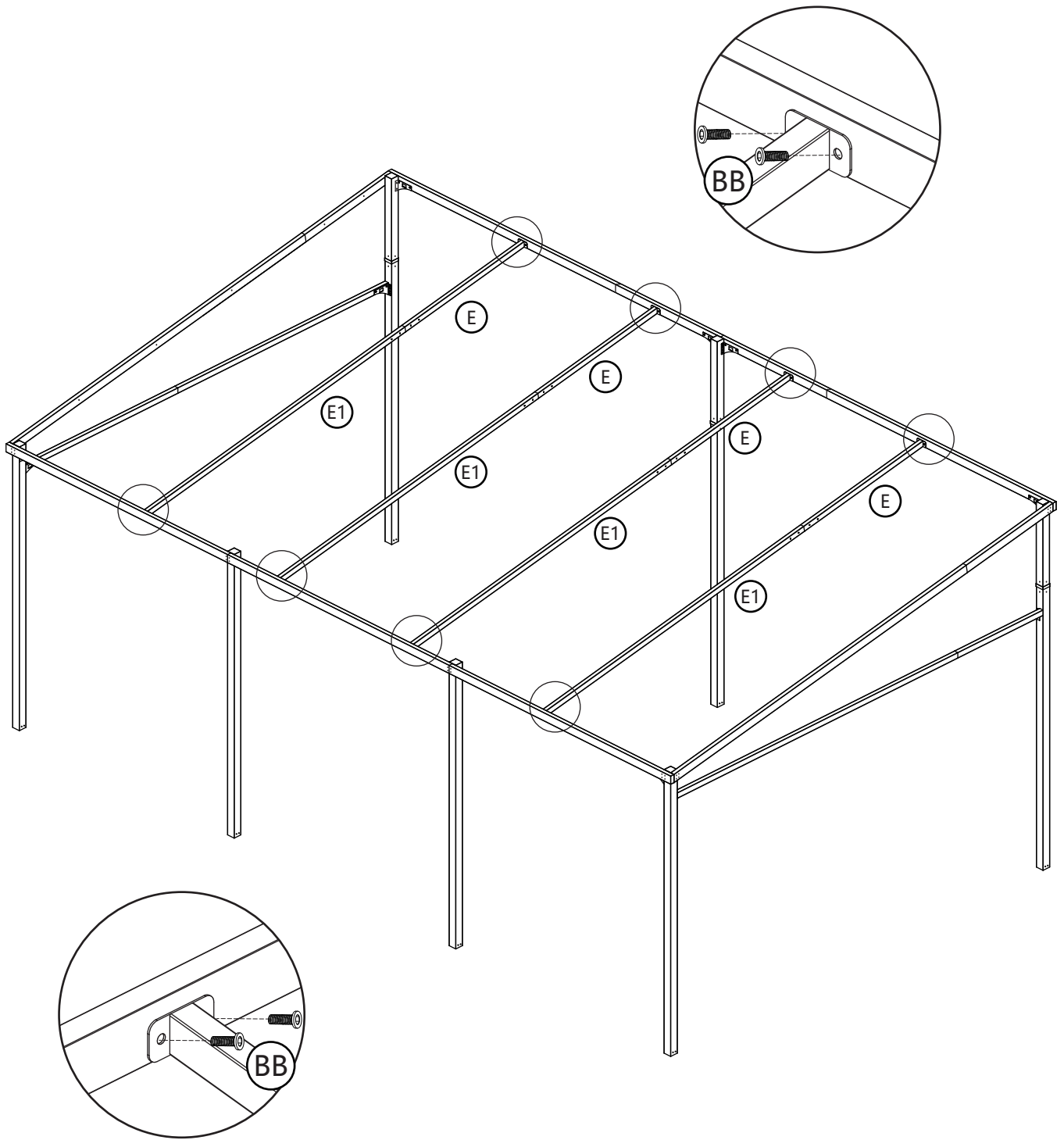


(NR) x4



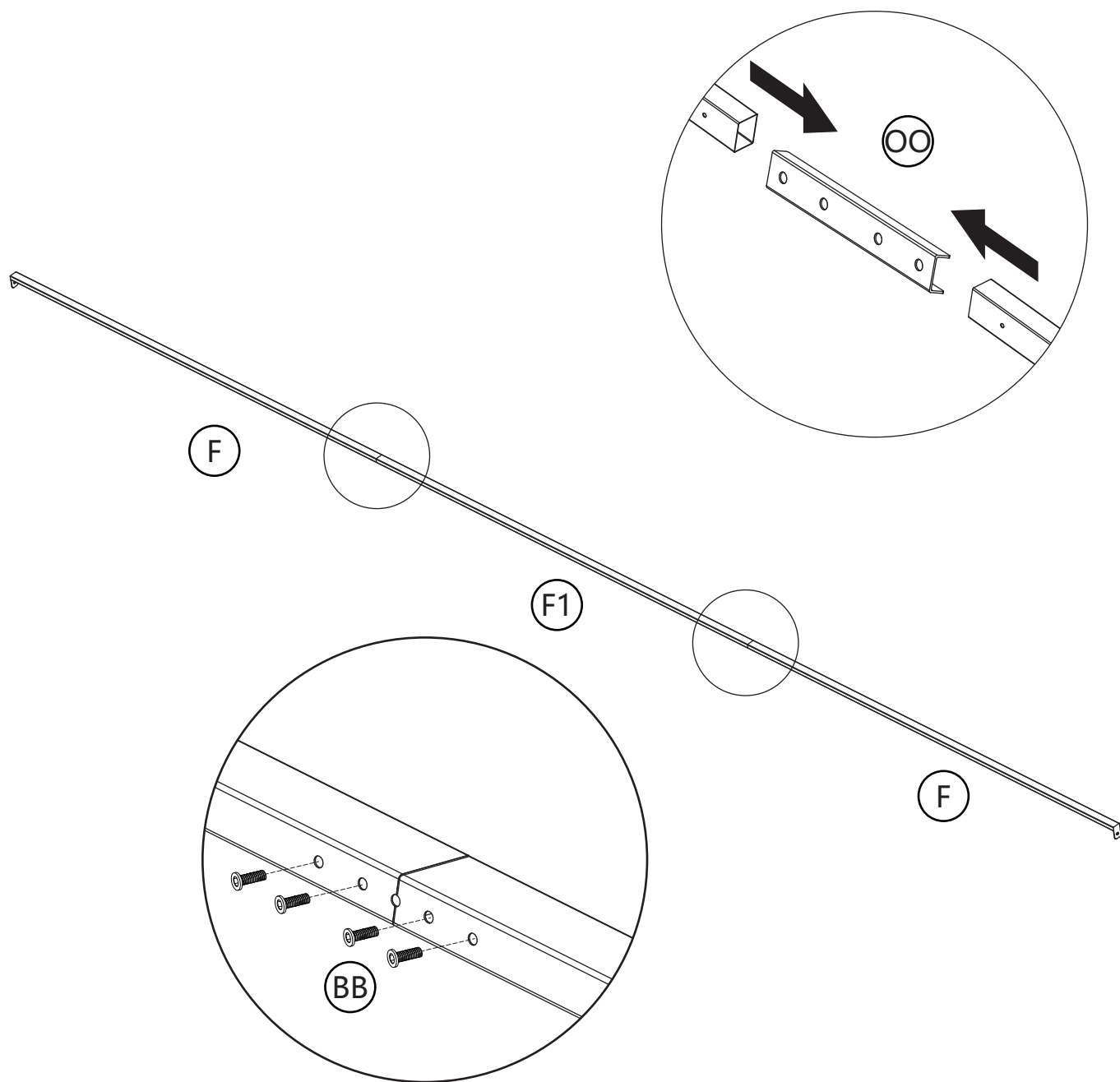
(BB) x32

Step 11

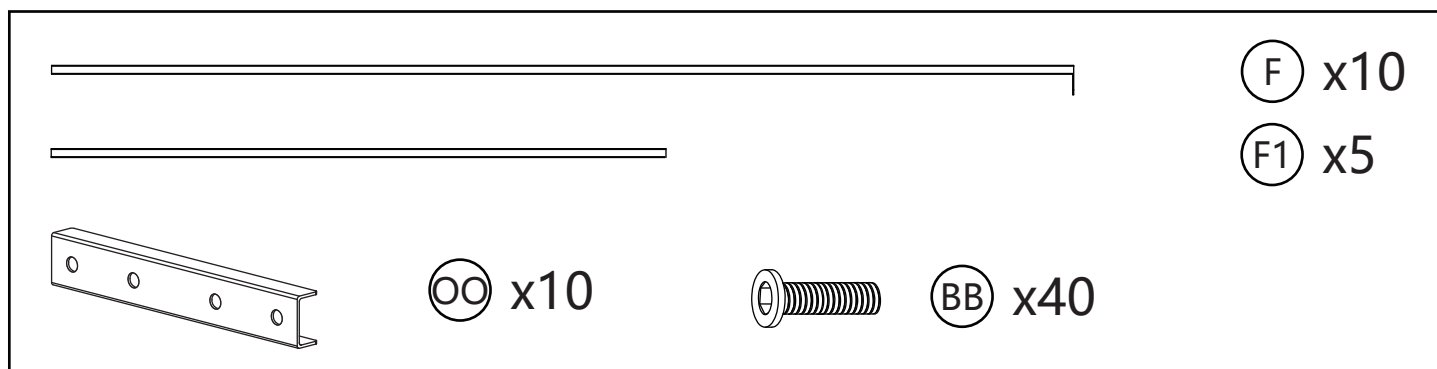


BB x16

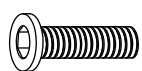
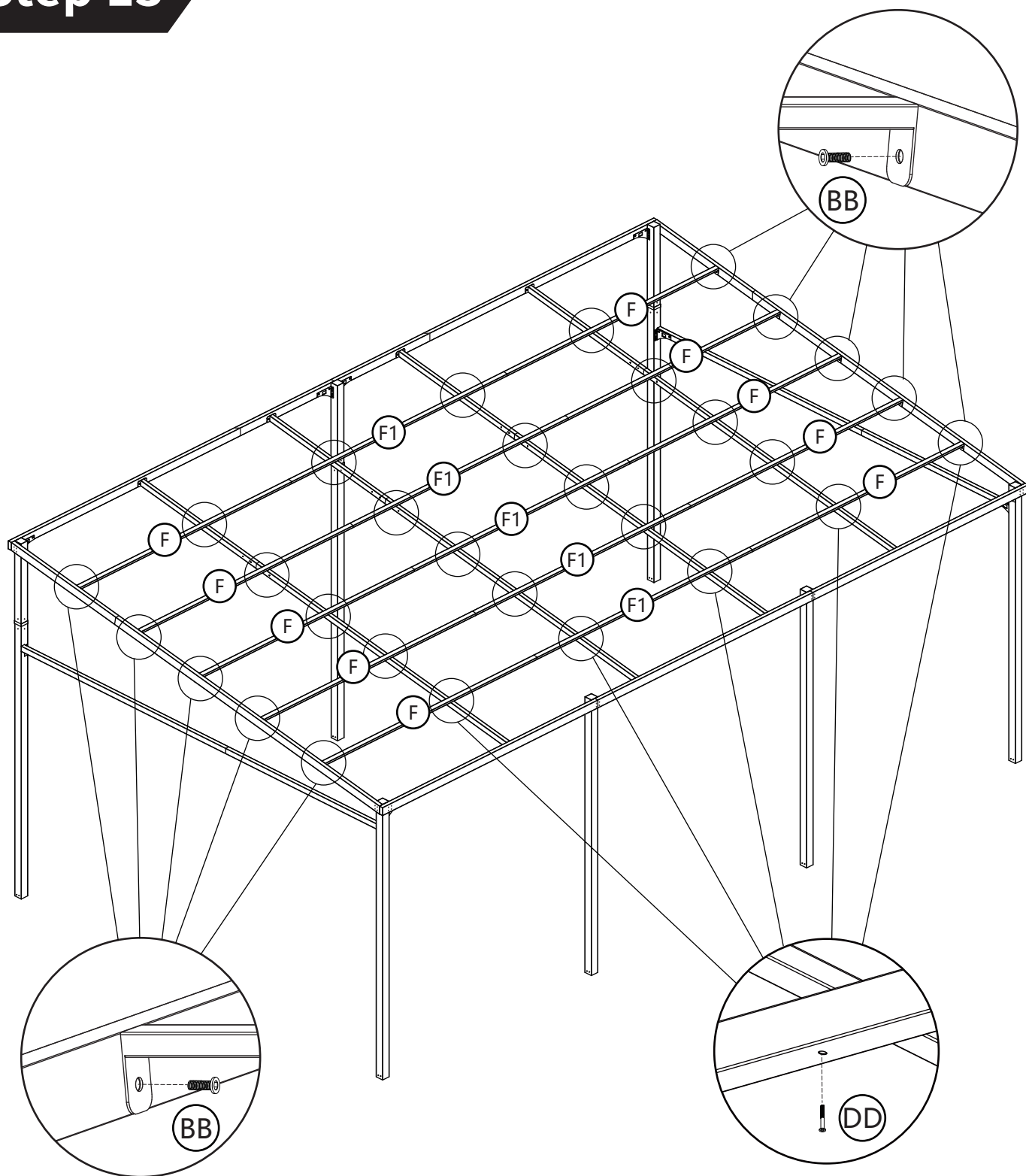
Step 12



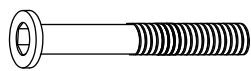
X5



Step 13

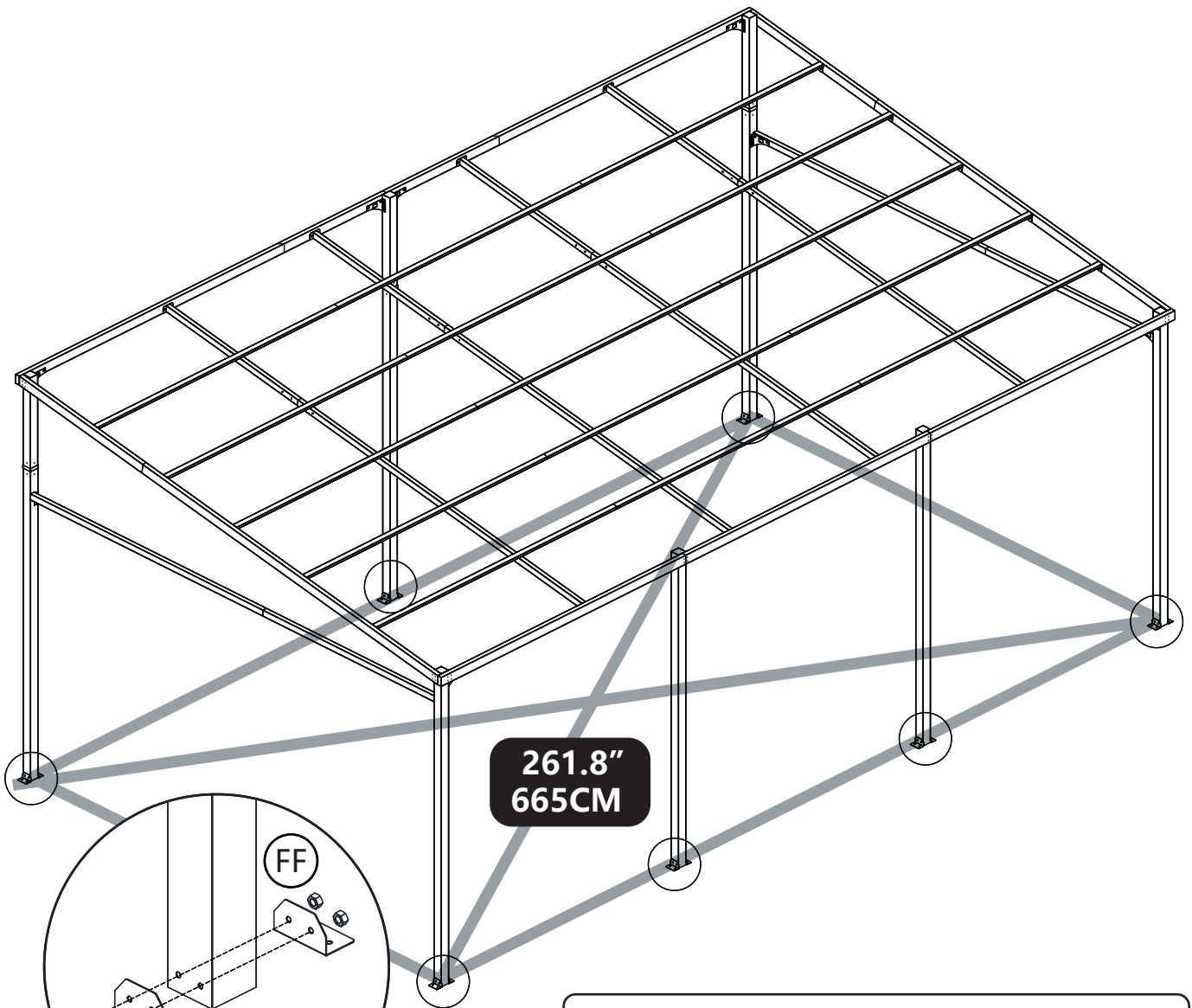


BB x10



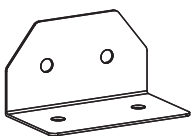
DD x20

Step 14

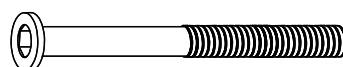


261.8"
665CM

Notice: Measure the diagonal lengths and make them roughly the same to ensure the product is not tilted as a whole before assembling the top iron sheet, which will help better fit the screw holes during installation.



JJ x14

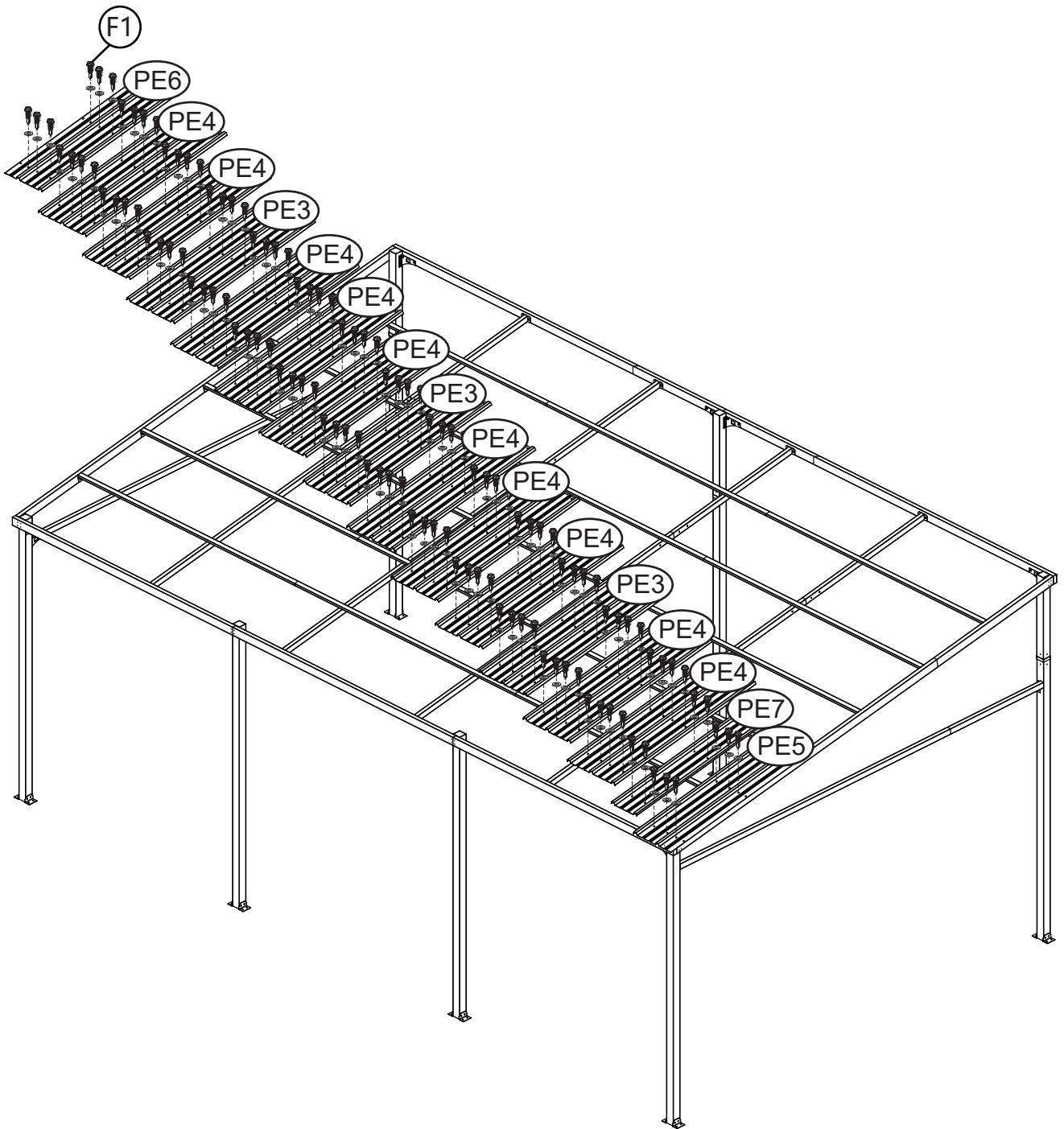


EE x14



FF x14

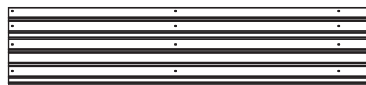
Step 15



PE3
3 PCS

PE4
10 PCS

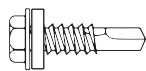
PE7
1 PC



PE5
1 PC

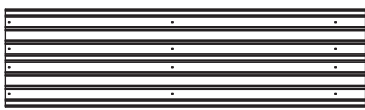
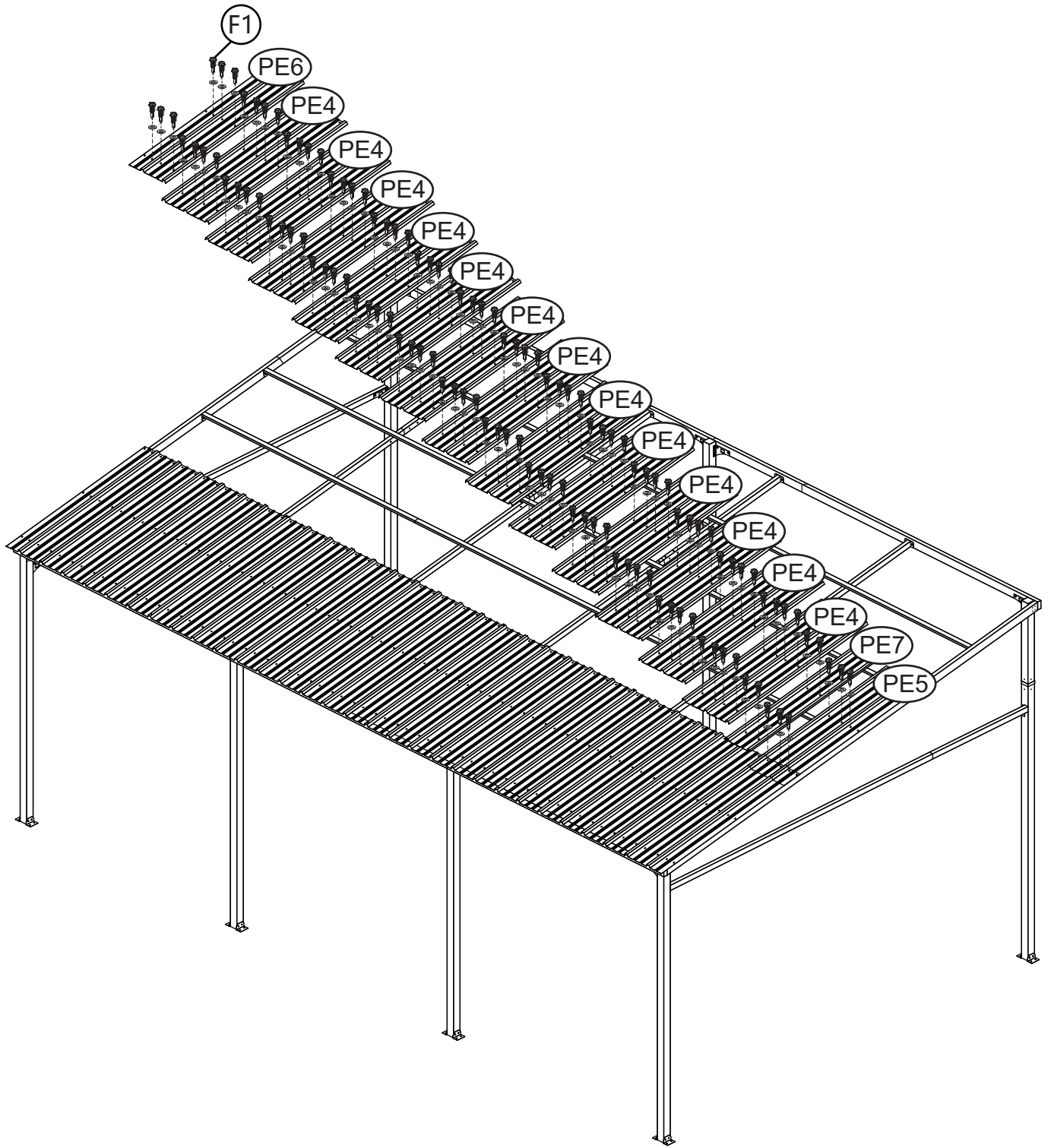


PE6
1 PC

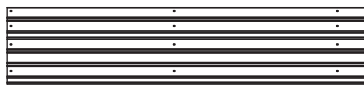


F1 x120

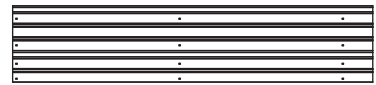
Step 16



PE4
13PCS



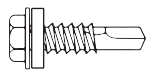
PE5
1PC



PE6
1PC

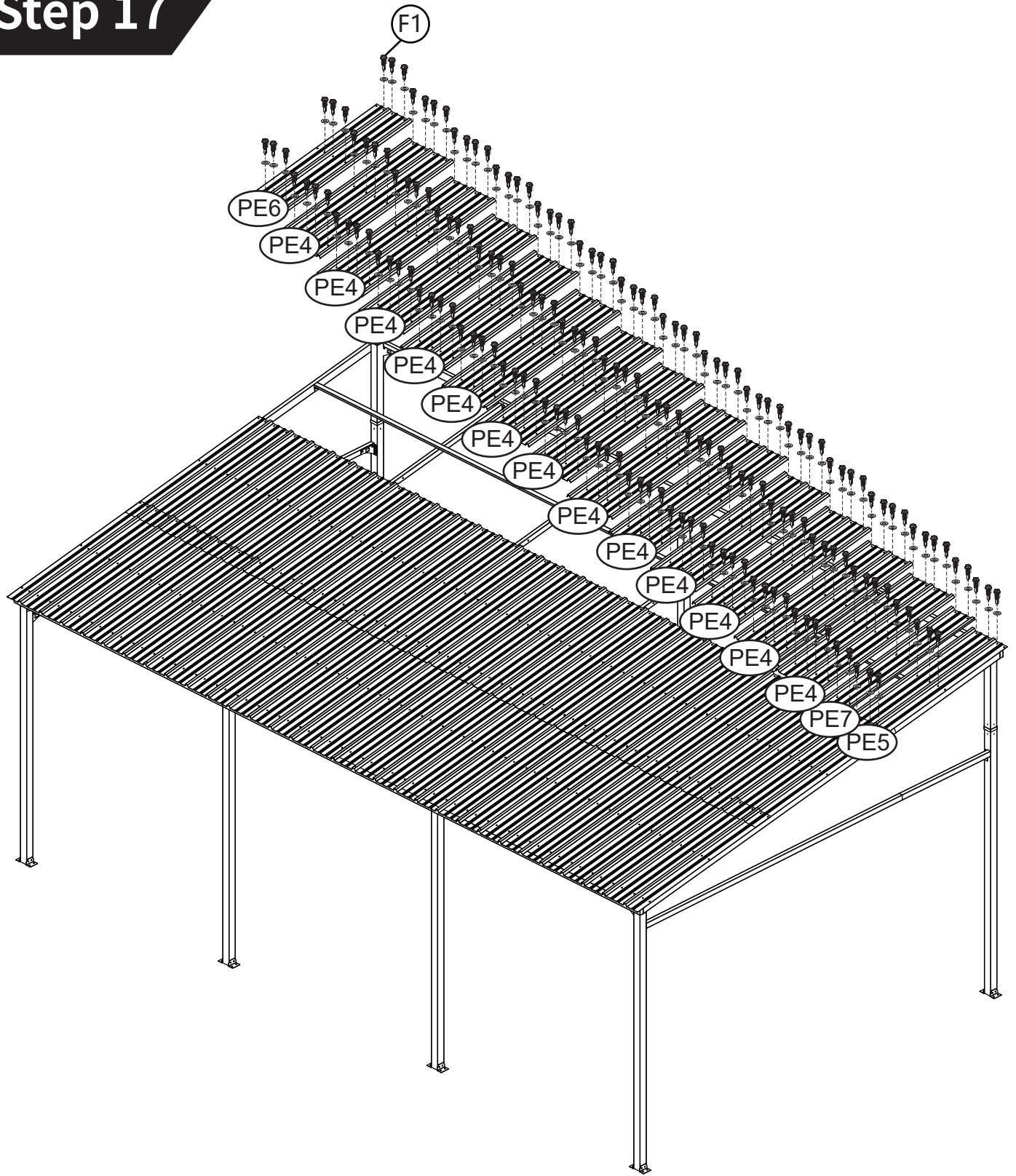


PE7
1PC

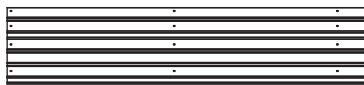


F1 x120

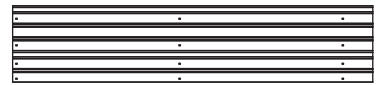
Step 17



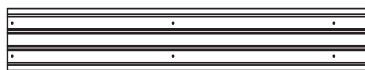
PE4
13PCS



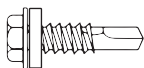
PE5
1PC



PE6
1PC

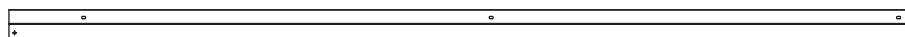
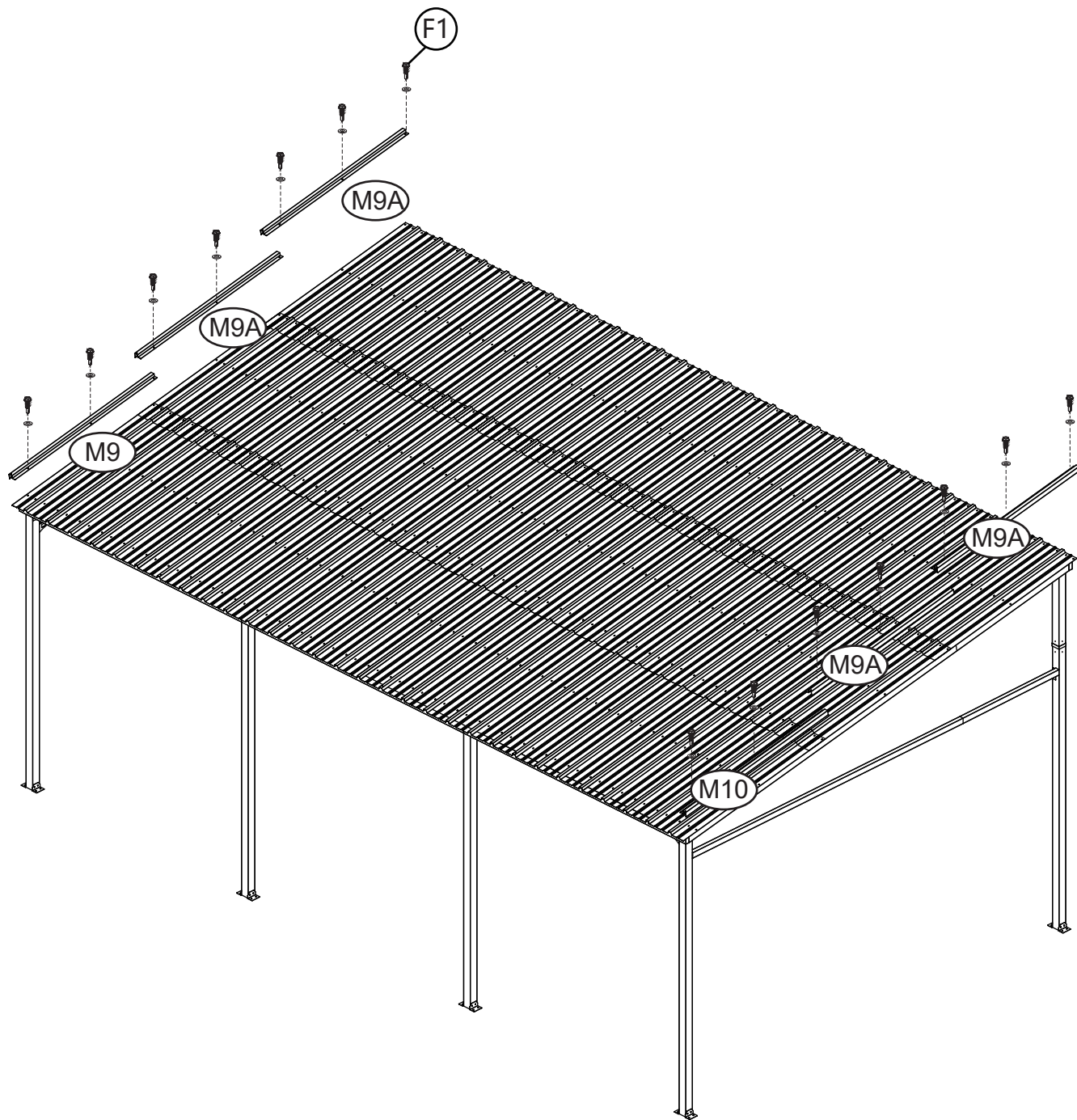


PE7
1PC

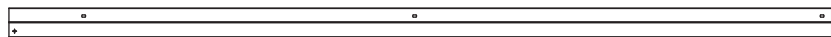


F1 x180

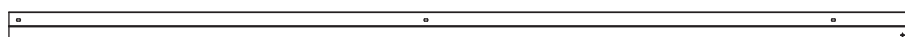
Step 18



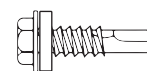
M9 1PC



M9A 4PCS

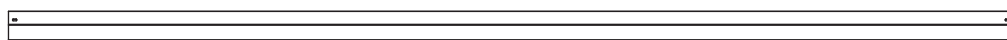
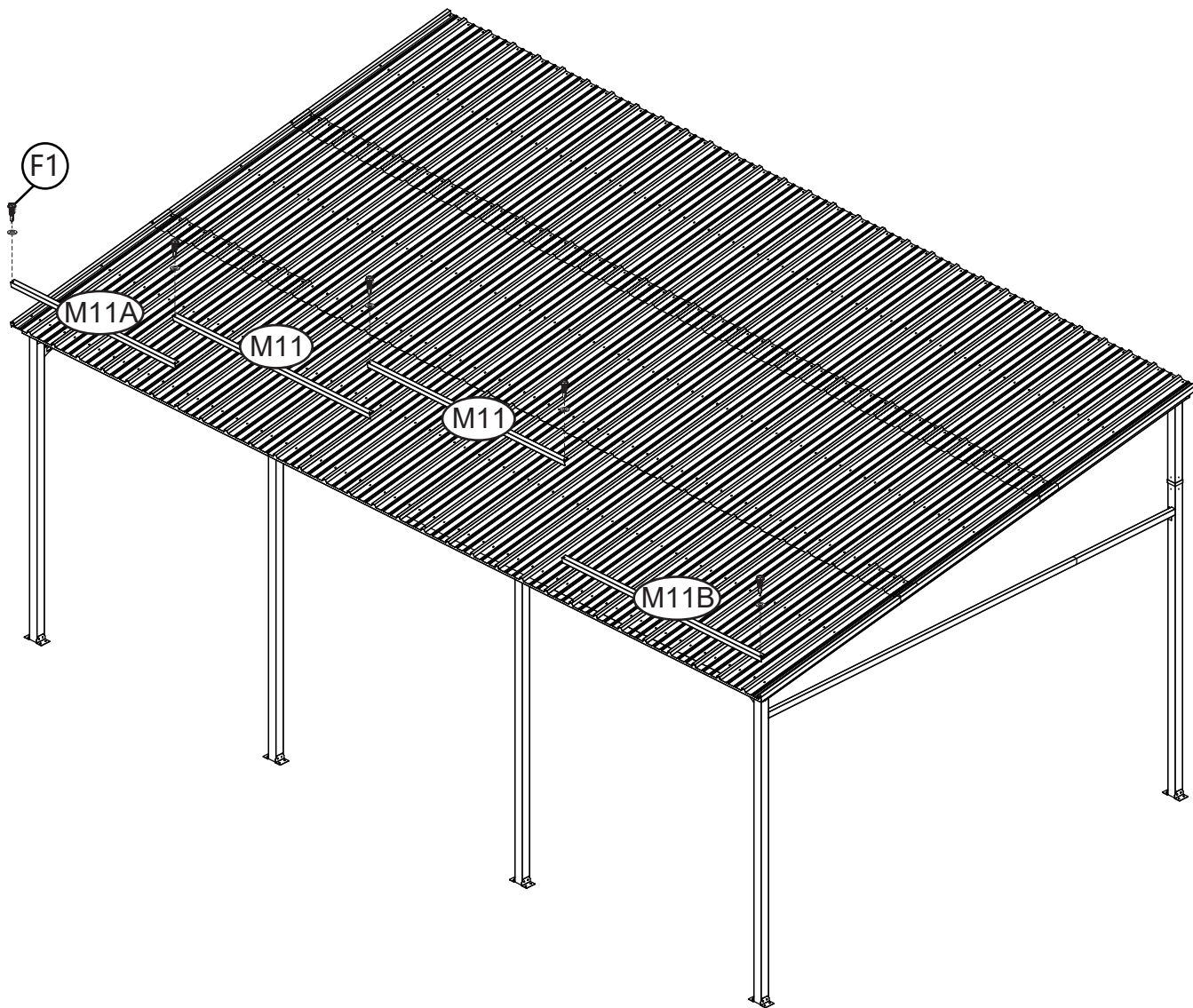


M10 1PC

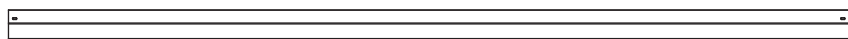


F1 x14

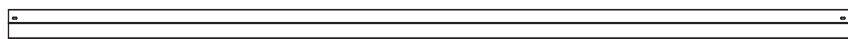
Step 19



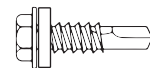
M11 2PCS



M11A 1PC



M11B 1PC



F1 x5

Enjoy your products!

