

Tiki Bar/Barstools Product Info and Assembly Instructions

Congratulations on the recent purchase of your tiki bar or barstools! The below should be read regarding the use of your new bamboo furniture outdoors.

Although these products are meant for seasonal outdoor use and are coated with a protective coating, this is not a permanent weather proofing solution and it is important that the proper steps are taken to avoid premature weathering/discoloration of the bamboo.

Bamboo is no different than any other wooden outdoor product in terms of weathering. Just like a new deck, shed, gazebo etc. if the proper care and maintenance are not taken then weathering and discoloration may occur.

It is possible your bamboo tiki bar or barstools will have slight hairline cracks out of the box or during assembly. This happens in the drying out process and a normal characteristic of kiln dried bamboo. Rest assured that this **WILL NOT** change the structural characteristics of the bamboo. To avoid any further cracking please **DO NOT OVER TIGHTEN** the hardware during assembly.

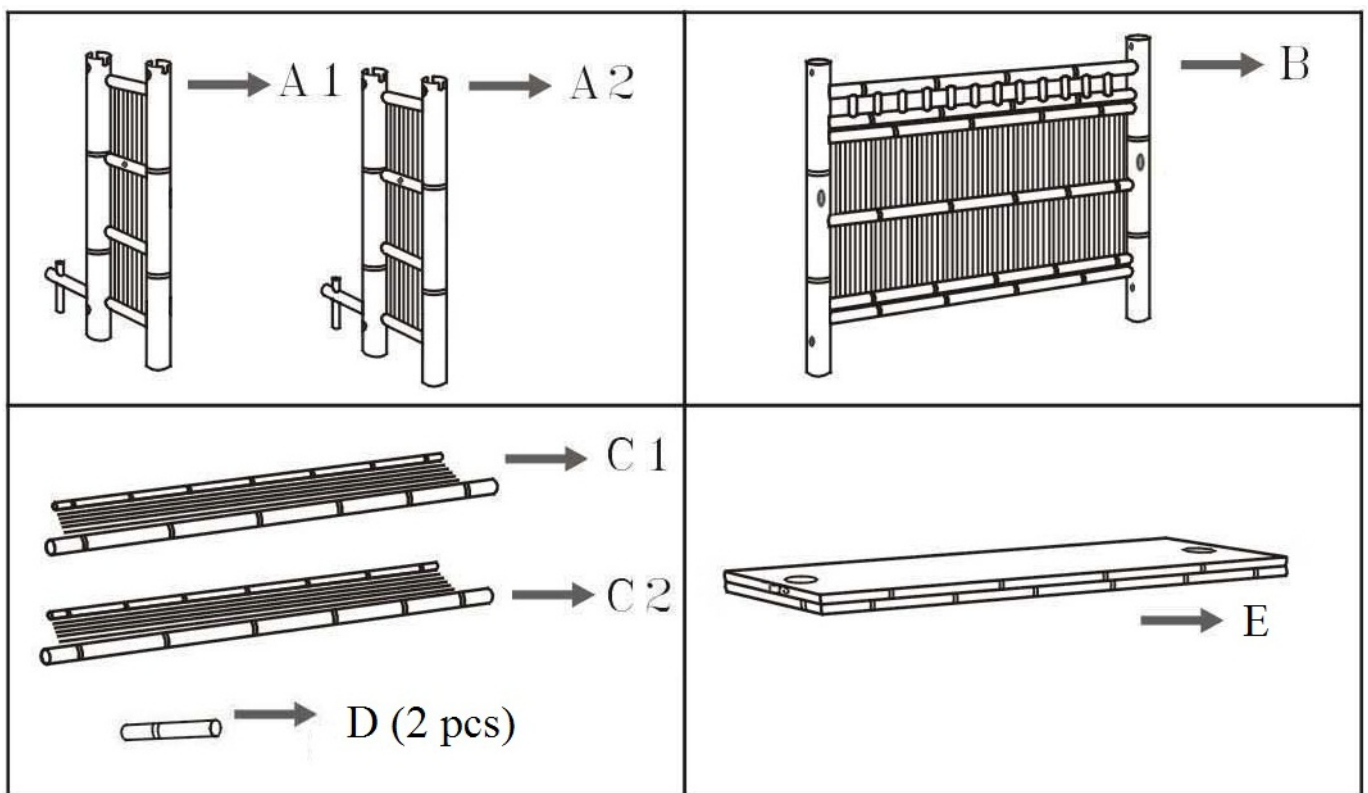
ASSEMBLY INSTRUCTION

Model: Bamboo Bar

Read instruction carefully. Remove wrapping material, staples and packing straps from carton. See furniture parts list and hardware list for guidance. Be sure you have all parts before you start assembling. Place all bamboo parts on a clean flat soft surface, such as a carpet to prevent being scratched.

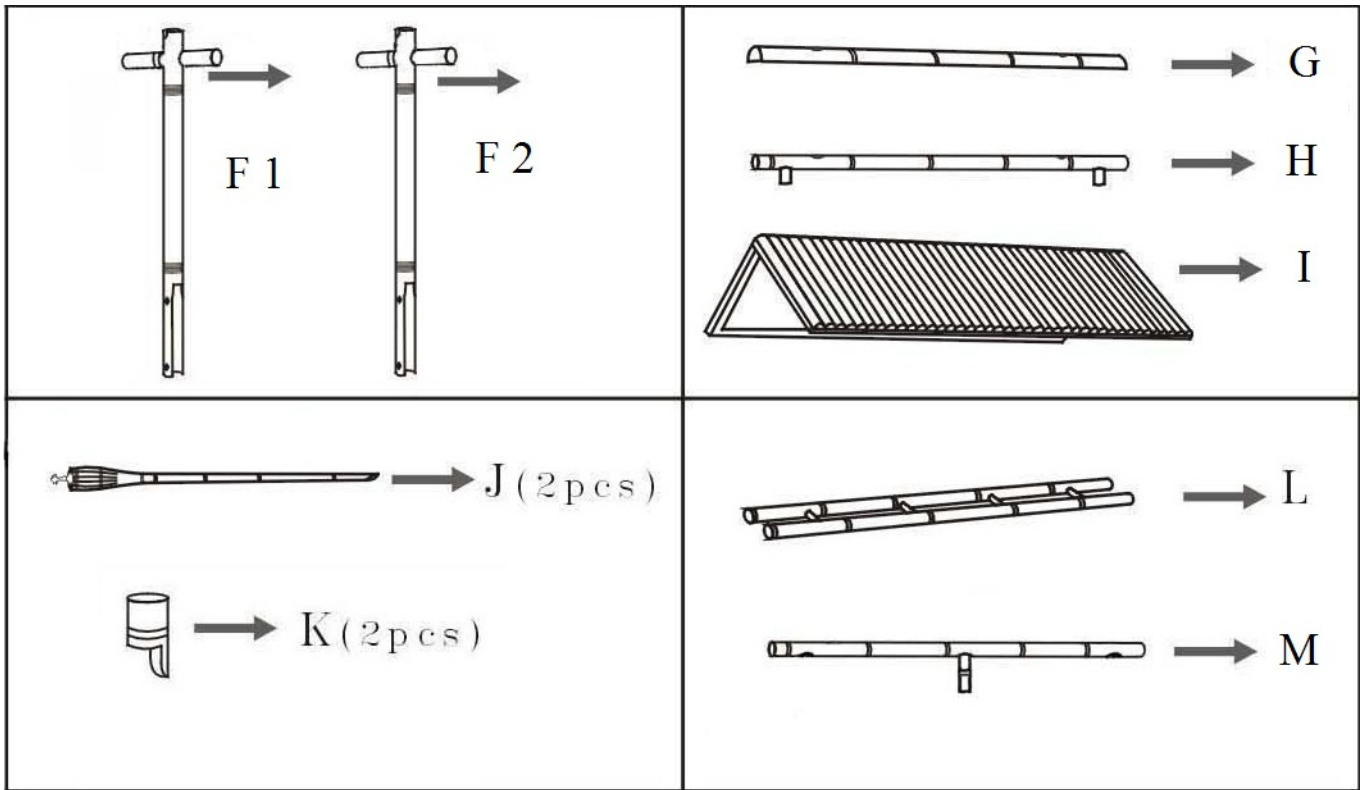
PART LIST		
ITEM	DESCRIPTION	QTY
A	SIDE PANEL	2
B	FRONT PANEL	1
C1	UP-SHELF	1
C2	DOWN-SHELF (little longer than C1)	1
D	RUNG FOR UP-SHELF	2
E	COUNTER TOP	1
F	POST	2
G	RAIN GUARD	1
H	CROSS BEAM	1
I	ROOF	1
J	TORCH	2
K	TORCH HOLDER	2
L	GLASS RACK	1
M	FOOT REST	1

HARDWARE LIST		
ITEM	DESCRIPTION	QTY
1	BOLTS 8MM X160MM	2
2	BOLTS 8MM X140MM	6
3	BOLTS 8MM X110MM	2
4	BOLTS 8MM X100MM	2
5	BOLTS 6MM X120MM	2
6	NUTS	14
7	WASHER	14

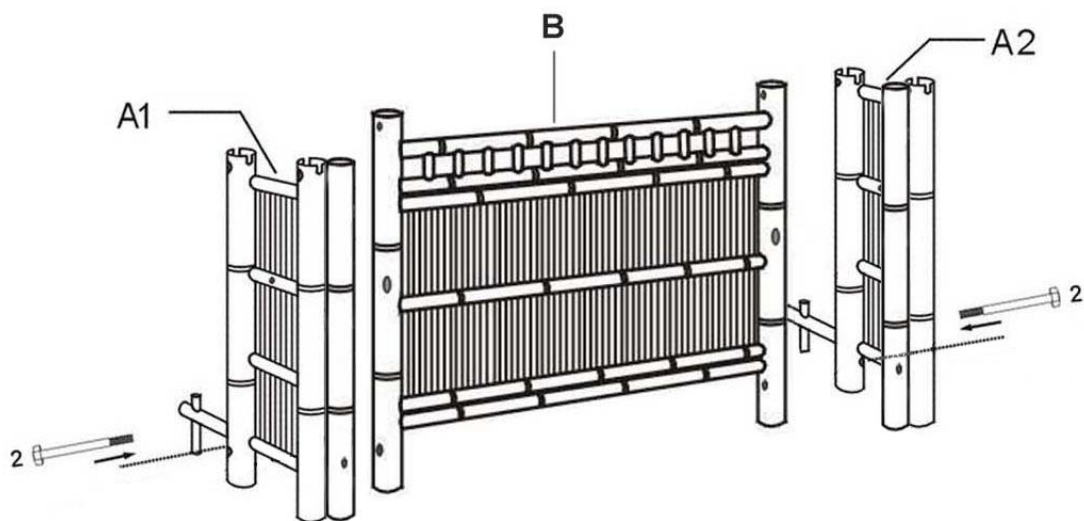


ASSEMBLY INSTRUCTION

Model: Bamboo Bar



Step-1

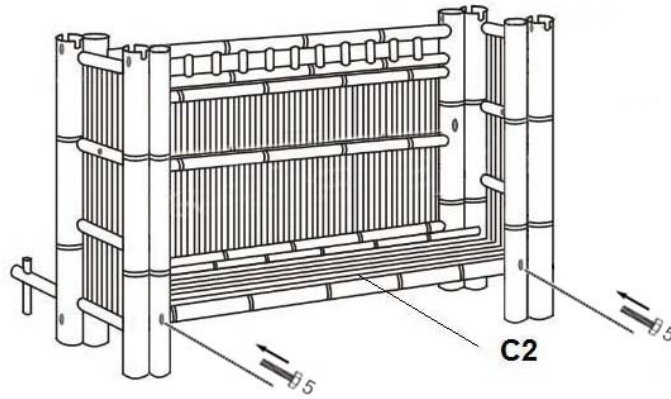


Put front panel and two side panel together and use 8 x140mm bolts to fix them up.

ASSEMBLY INSTRUCTION

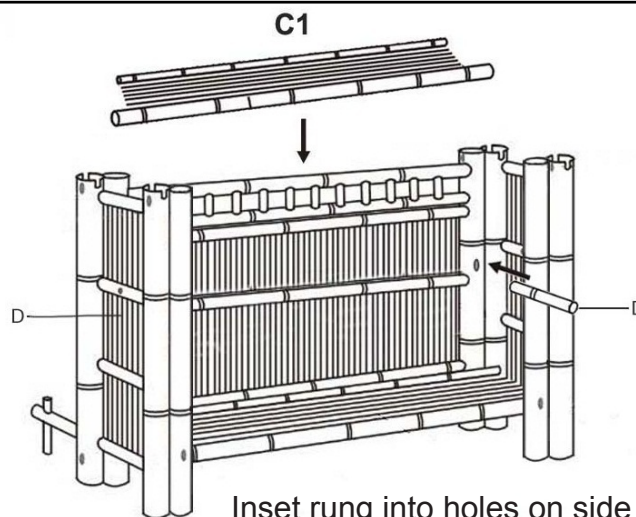
Model: Bamboo Bar

Step-2



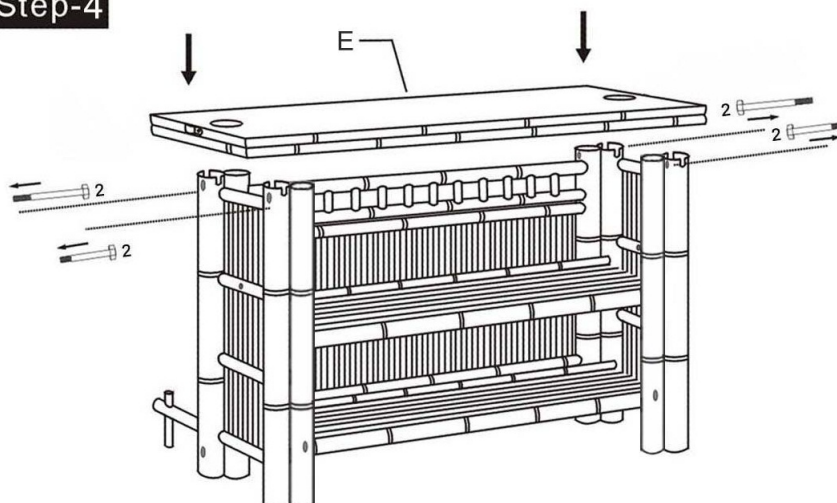
Install down-shelf and cross 6 x120mm bolts as the direction shown on diagram to fix it.

Step-3



Inset rung into holes on side panel. Put the up-shelf on two rungs.

Step-4

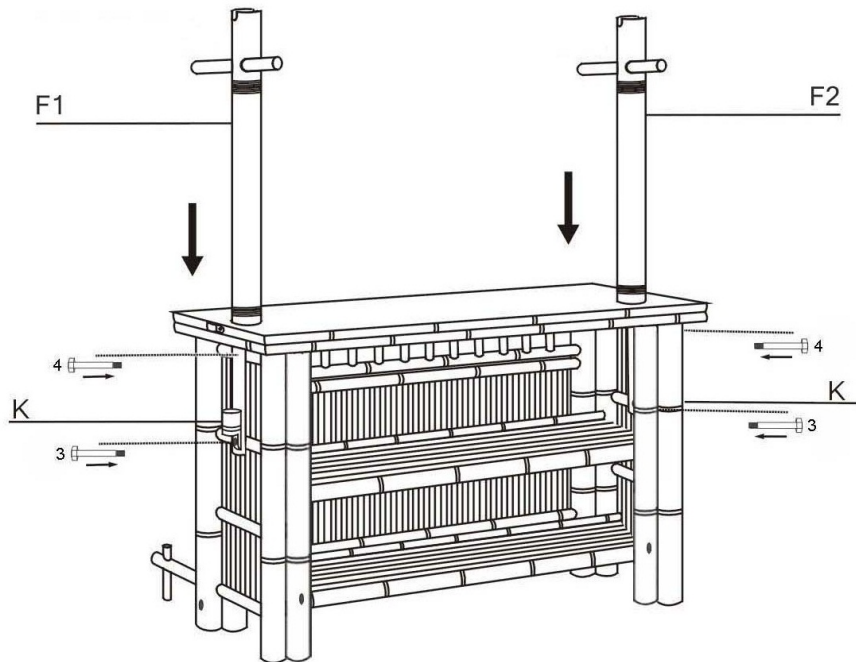


Install counter top vertically on counter. Use 4 pcs of 8 x140mm bolts to fix them up horizontally on both ends.

ASSEMBLY INSTRUCTION

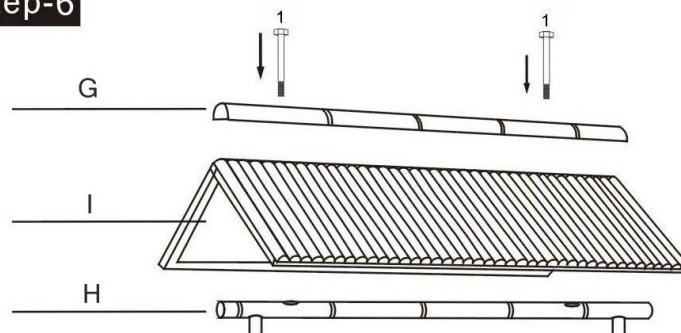
Model: Bamboo Bar

Step-5



Put posts into holes on counter top and use 8 x100mm bolts to fix them. Install torch holder as shown on diagram.

Step-6

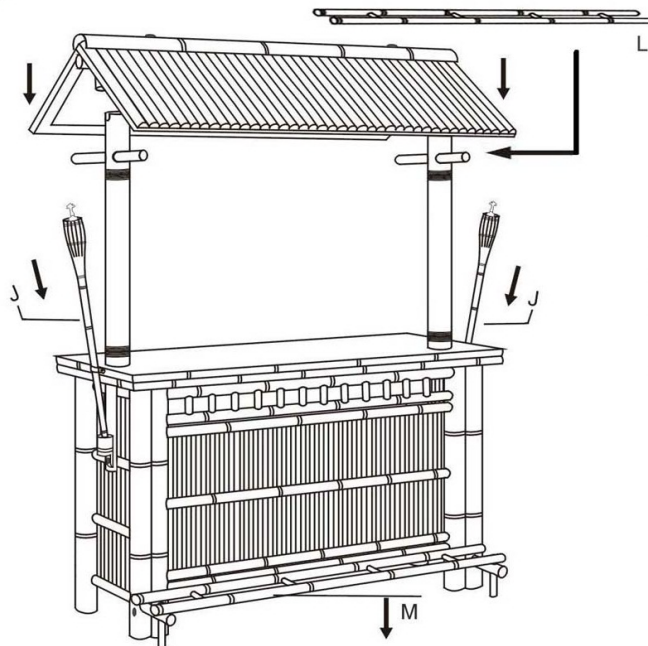


Stick 8 x160mm bolts into rain guard, roof and cross beam to get them together.

ASSEMBLY INSTRUCTION

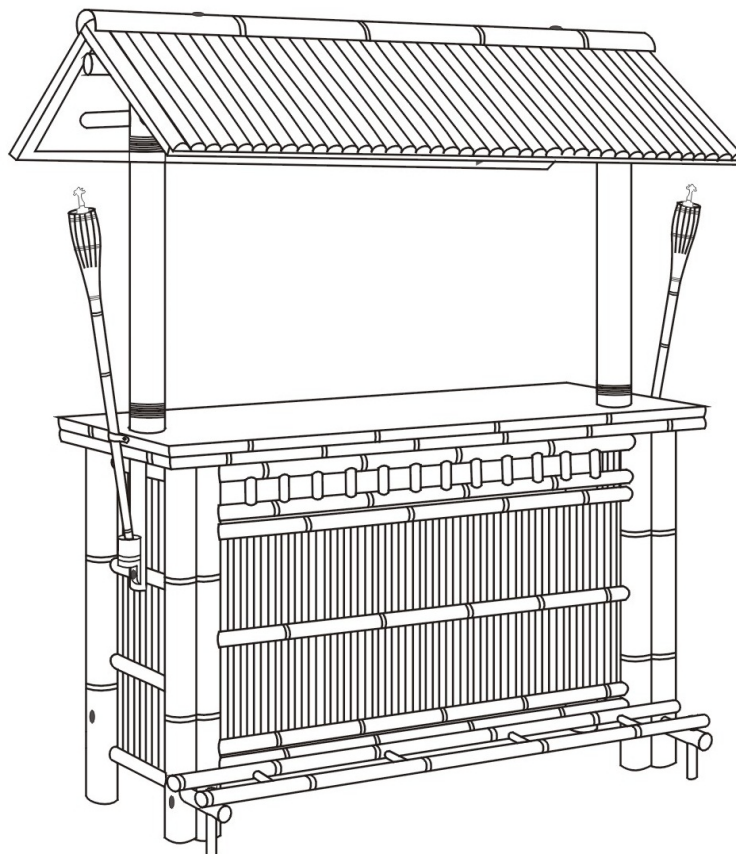
Model: Bamboo Bar

Step-7



Install the roof into bamboo post and make sure it can be held on post well. Insert torches into holder. Install glass rack beneath roof and foot-rest according to diagram.

COMPLETE ASSEMBLY



NOTICE

IT IS POSSIBLE YOUR BAMBOO TIKI BAR OR STOOLS WILL HAVE SLIGHT HAIRLINE CRACKS OUT OF THE BOX OR DURING ASSEMBLY. THIS HAPPENS IN THE DRYING OUT PROCESS AND IS A NORMAL CHARACTERISTIC OF KILN DRIED BAMBOO. REST ASSURED THAT THIS WILL NOT CHANGE THE STRUCTURAL CHARACTERISTICS OF THE BAMBOO. TO AVOID ANY FURTHER CRACKING PLEASE DO NOT OVER TIGHTEN THE HARDWARE DURING ASSEMBLY.