

WARNING!!

Furniture Tipping Risk.

Serious risk of severe or fatal crush injuries can occur from furniture tipping over if not secured.

Children like to climb on furniture and Unsecured furniture can pose a serious danger.

Please follow all instructions and install the tip-over restraints provided.

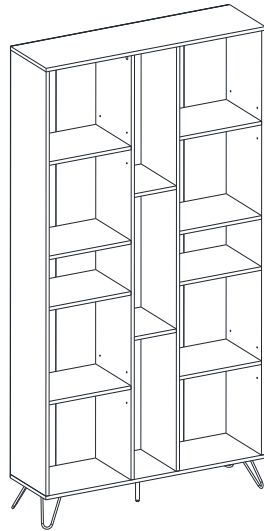
In addition to installing the restraints, to help prevent tip-over:

- 1. Unless specifically designed to accommodate, do not set TV's or other heavy objects on top of this product.**
- 2. Never allow children to climb or hang on the Cabinet.**
- 3. Do not step on the Cabinet base.**




Assembly Instructions



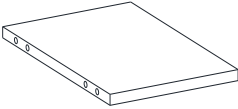
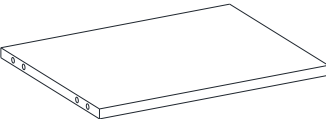

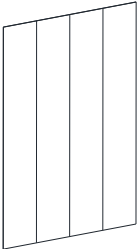
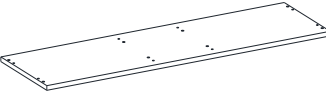
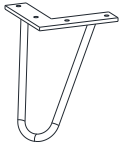
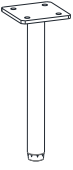
Caution : You must read this before you proceed

Multi-Functional Cabinet











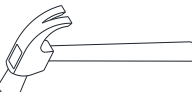



Parts List


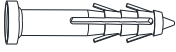


Label	Picture	Description	QTY
A		Top Panel	1
B		Left Side Panel (with Metal Bracket)	1
C		Right Side Panel (with Metal Bracket)	1

D		Left Center Panel	1
E		Right Center Panel	1
F		Small Middle Panel	2
G		Big Middle Panel	4
H		Shelf Panel	4
I		Back Panel	1
J		Bottom Panel	1
K		Leg	4
L		Middle Leg	1

Hardware

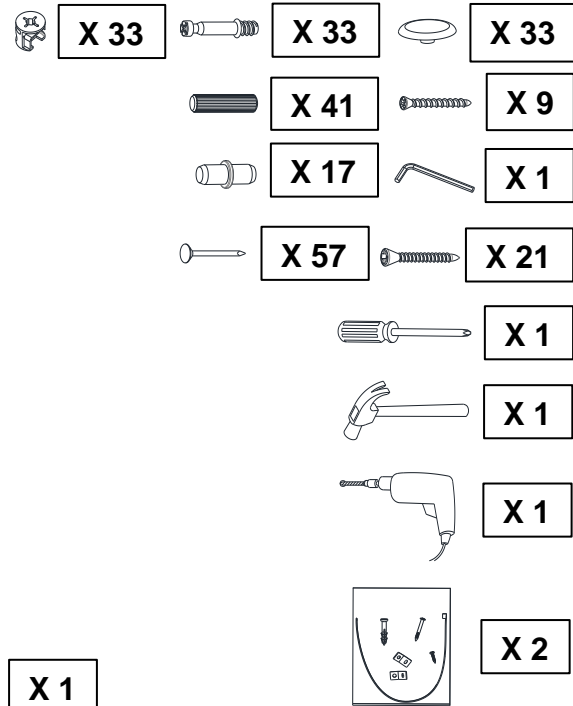
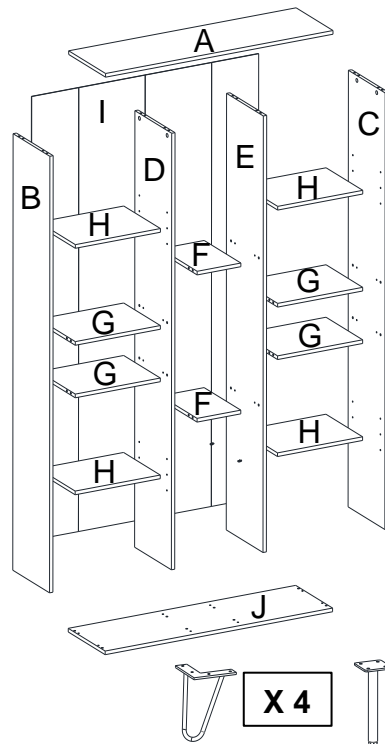
Label	Picture	Description	QTY
①		Cam Lock	33
②		Cam Bolt	33
③		Cam Cap	33
④		Positioning Dowel (Ø 8*30mm)	41
⑤		Cap Wood Screw (M6*50mm)	9
⑥		Shelf Support	17
⑦		Allen Key	1
⑧		Nail	57
⑨		Screw (M3.5*16mm)	21
⑩		Screwdriver (not provided)	1
⑪		Hammer (not provided)	1
⑫		Power Drill (not provided)	1

Cabinet Restraint Device Hardware

⑬		Metal Bracket	4
⑭		Wall Plug	2
⑮		Wall Plug Screw	2
⑯		Cabinet Restraint Strap	2

Assembly Preparation

Before Beginning Assembly:



- Read instructions, cover to cover-



- Have 2 adults on hand for assembly-



- Do not assemble on flooring or carpet-



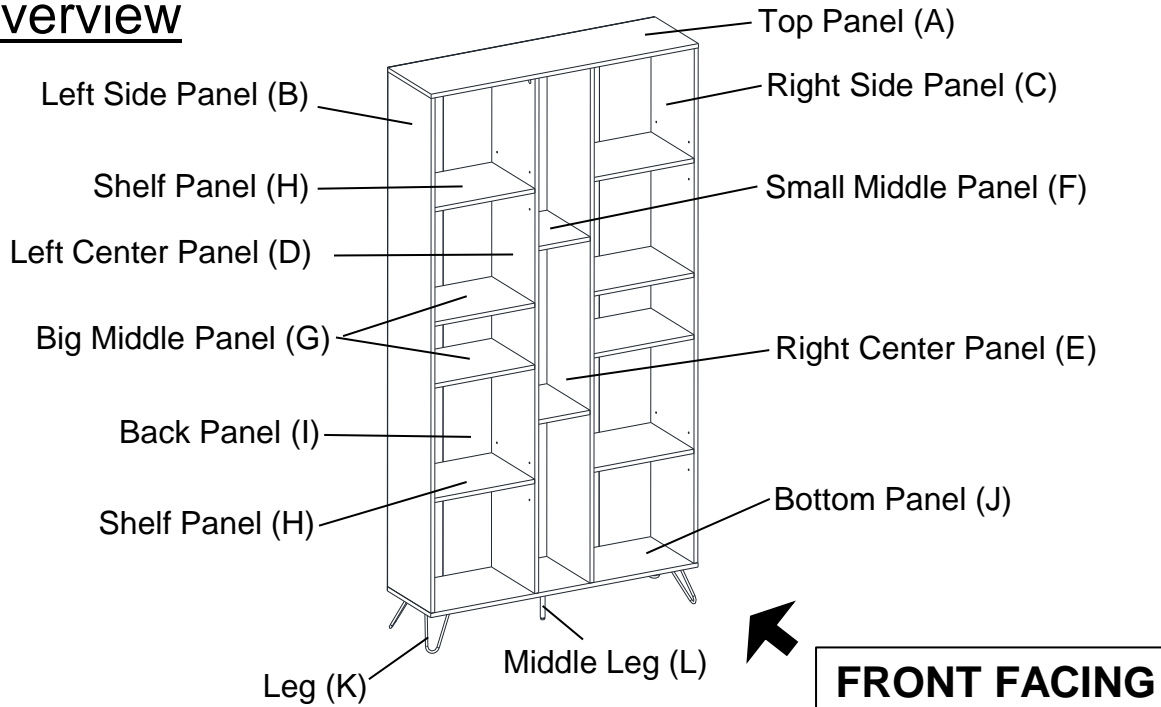
- Assemble on a clean non-marring surface (packing foam)-



- Save all packaging until finished-

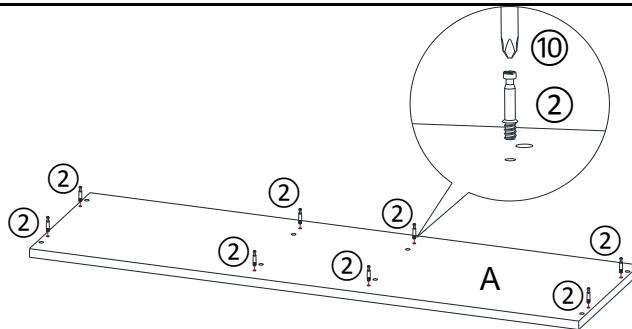
Assembly Steps

Overview



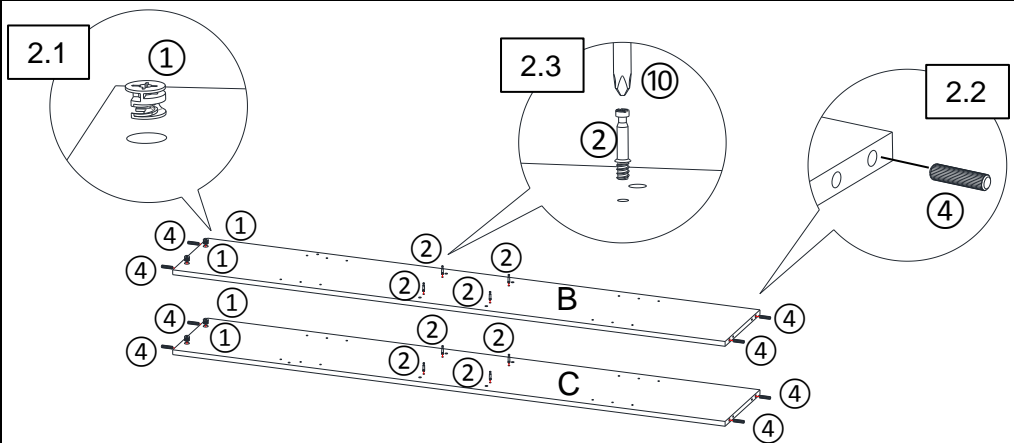
This Multi-Functional Cabinet has multiple parts and may require up to 60 minutes to assemble. To give you an overview of the Multi-Functional Cabinet parts, the above picture is to help you put the various parts into perspective. Please read through the instructions below to familiarise yourself with the parts and steps before assembly.

Step 1



Unpack and place all parts on a clean, non-marring surface. Attach Cam Bolts(2) to mounting positions on Top Panel(A) with Screwdriver(10).

Step 2



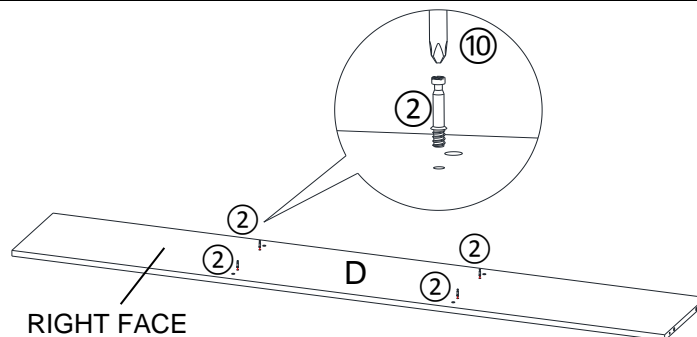
2.1) Insert Cam Locks(①) into mounting positions on Left Side Panel(B) by hand.

2.2) Insert Positioning Dowel(④) into mounting positions on Left Side Panel(B) by hand.

2.3) Attach Cam Bolts(②) to mounting positions on Left Side Panel(B) with Screwdriver(⑩).

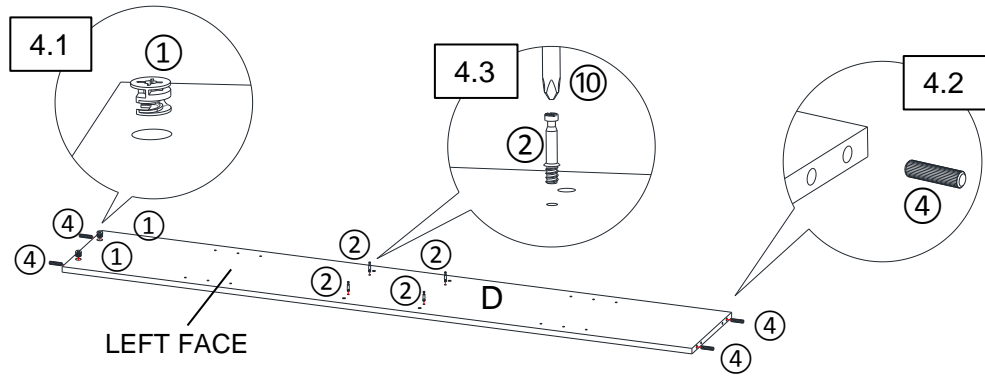
2.4) Repeat the same process on the Right Side Panel(C).

Step 3



Attach Cam Bolts(②) to mounting positions on Left Center Panel(D) with Screwdriver(⑩).

Step 4

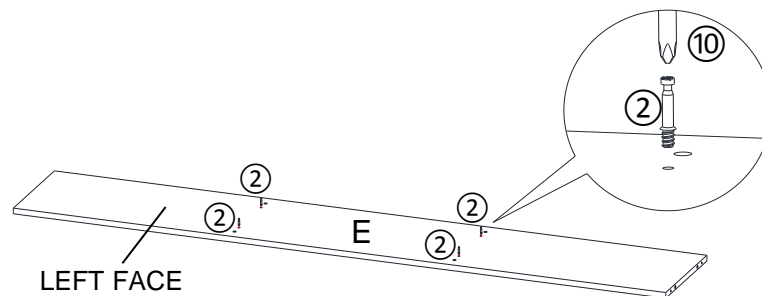


4.1) Insert Cam Locks(①) into mounting positions on Left Center Panel(D) by hand.

4.2) Insert Positioning Dowels(④) into mounting positions on Left Center Panel(D) by hand.

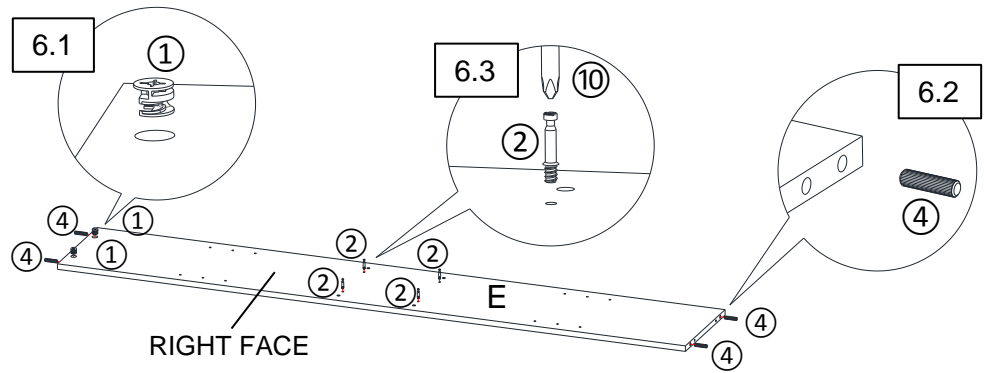
4.3) Attach Cam Bolts(②) to mounting positions on Left Center Panel(D) with Screwdriver(⑩).

Step 5



Attach Cam Bolts(②) to mounting positions on Right Center Panel(E) with Screwdriver(⑩).

Step 6

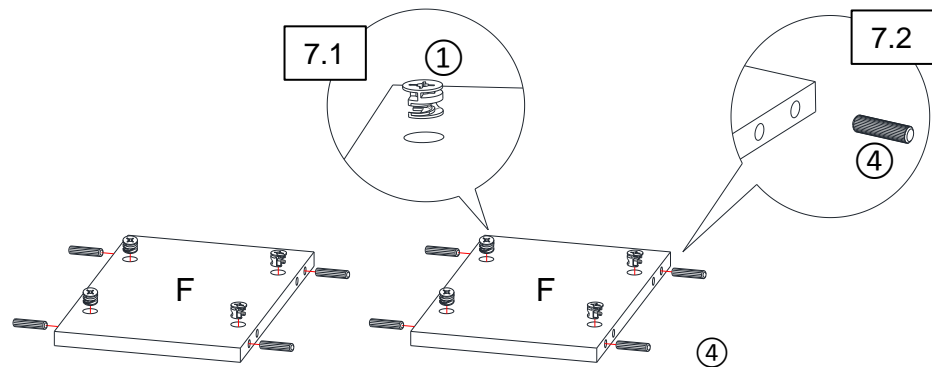


6.1) Insert Cam Locks(①) into mounting positions on Right Center Panel(E) by hand.

6.2) Insert Positioning Dowels(④) into mounting positions on Right Center Panel(E) by hand.

6.3) Attach Cam Bolts(②) to mounting positions on Right Center Panel(E) with Screwdriver(⑩).

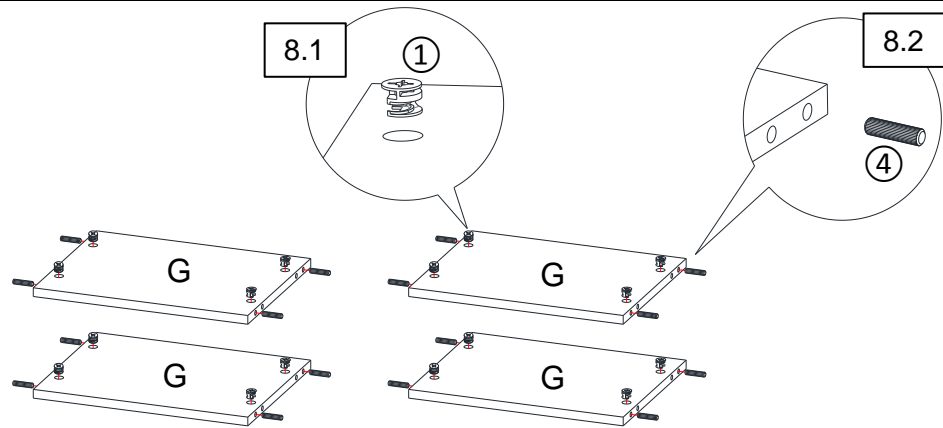
Step 7



7.1) Insert Cam Locks(①) into mounting positions on Small Middle Panels(F) by hand.

7.2) Insert Positioning Dowel(④) into mounting positions on Small Middle Panels(F) by hand.

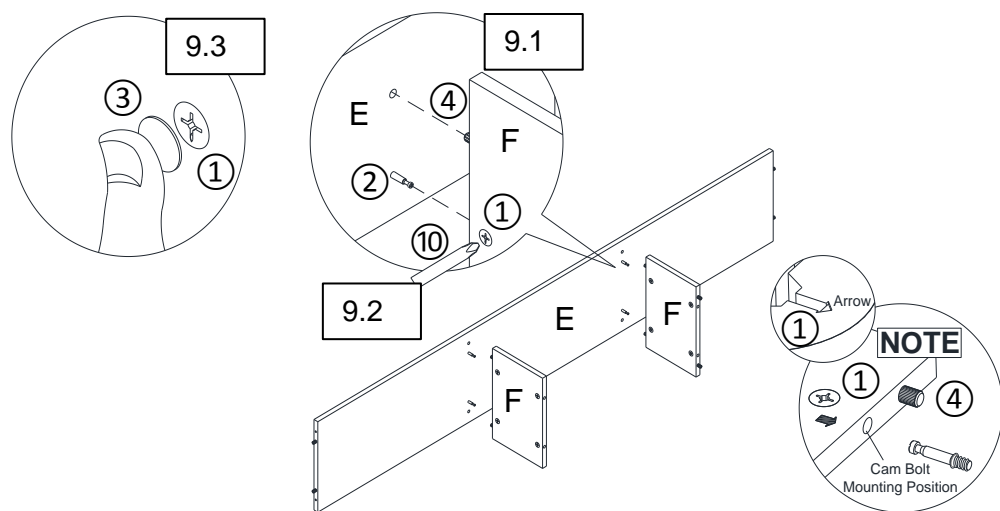
Step 8



8.1) Insert Cam Locks(①) into mounting positions on Big Middle Panels(G) by hand.

8.2) Insert Positioning Dowel(④) into mounting positions on Big Middle Panels(G) by hand.

Step 9



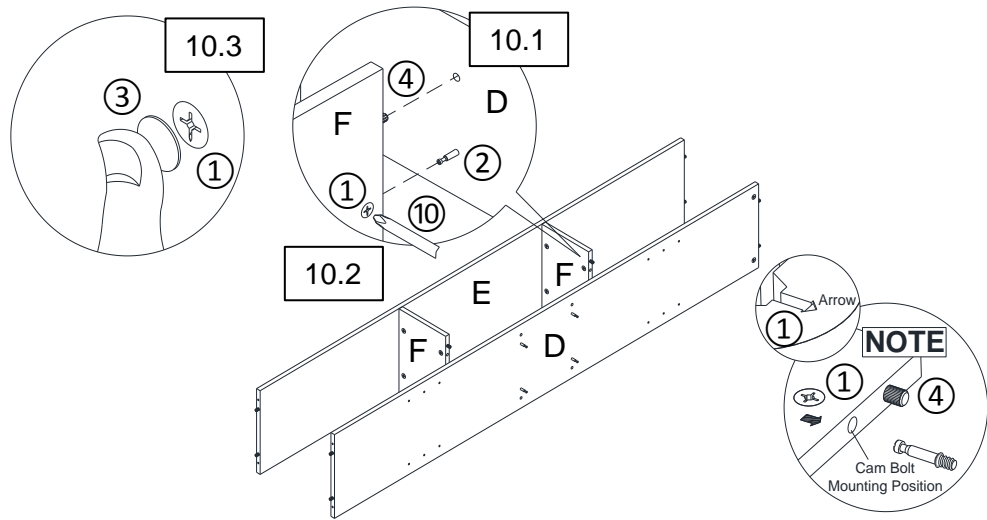
9.1) Insert Positioning Dowels(④) on Small Middle Panels(F) into Right Center Panel(E) as shown above.
Insert Cam Bolts(②) on Right Center Panel(E) into Small Middle Panels(F).

Note: Ensure the arrow on Cam Lock head points towards the Cam Bolt mounting position.

9.2) Turn the Cam Locks(①) clockwise with the Screwdriver(⑩) until they lock into place.

9.3) Cover Cam Locks(①) with Cam Caps(③) by hand.

Step 10



10.1) Insert Positioning Dowels(④) on Small Middle Panels(F) into Left Center Panel(D).

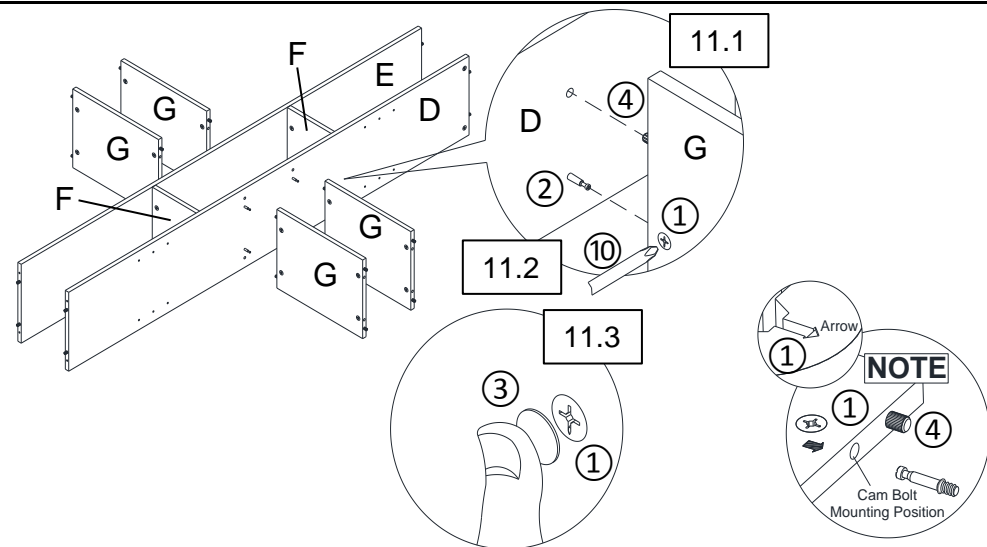
Insert Cam Bolts(②) on Left Center Panel(D) into Small Middle Panels(F).

Note: Ensure the arrow on Cam Lock head points towards the Cam Bolt mounting position.

10.2) Turn the Cam Locks(①) clockwise with the Screwdriver(⑩) until they lock into place.

10.3) Cover Cam Locks(①) with Cam Caps(③) by hand.

Step 11



11.1) Insert Positioning Dowels(④) on Big Middle Panels(G) into Right Center Panel(E) and Left Center Panel(D).

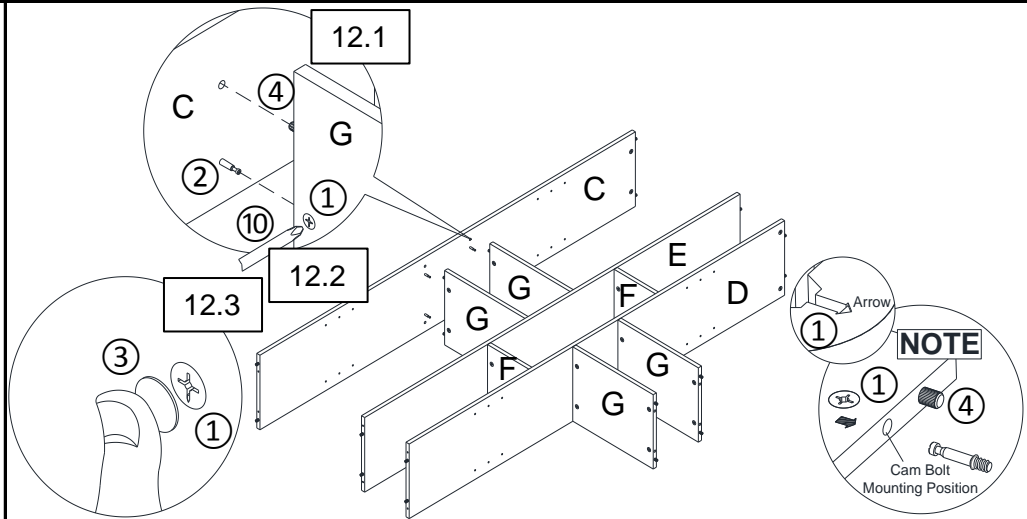
Insert Cam Bolts(②) on Right Center Panel(E) and Left Center Panel(D) into Big Middle Panels(G).

Note: Ensure the arrow on Cam Lock head points towards the Cam Bolt mounting position before do 11.1).

11.2) Turn the Cam Locks(①) clockwise with the Screwdriver(⑩) until they lock into place.

11.3) Cover Cam Locks(①) with Cam Caps(③) by hand.

Step 12



12.1) Insert Positioning Dowels(④) on Big Middle Panels(G) into Right Side Panel(C).

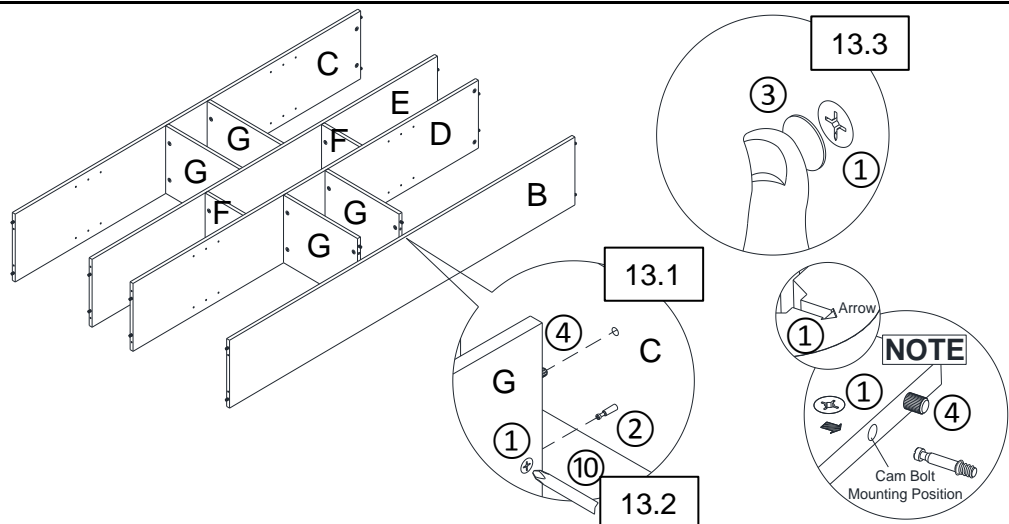
Insert Cam Bolts(②) on Right Side Panel(C) into Big Middle Panels(G).a

Note: Ensure the arrow on Cam Lock head points towards the Cam Bolt mounting position.

12.2) Turn the Cam Locks(①) clockwise with the Screwdriver(⑩) until they lock into place.

12.3) Cover Cam Locks(①) with Cam Caps(③) by hand.

Step 13



13.1) Insert Positioning Dowels(④) on Big Middle Panels(G) into Left Side Panel(B).

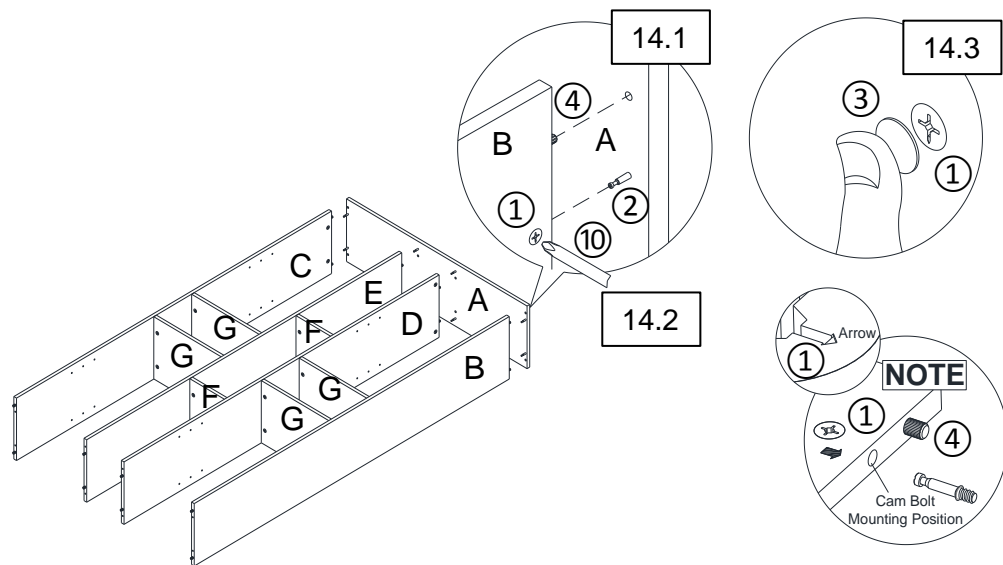
Insert Cam Bolts(②) on Left Side Panel(B) into Big Middle Panels(G).a

Note: Ensure the arrow on Cam Lock head points towards the Cam Bolt mounting position.

13.2) Turn the Cam Locks(①) clockwise with the Screwdriver(⑩) until they lock into place.

13.3) Cover Cam Locks(①) with Cam Caps(③) by hand.

Step 14



14.1) Insert Positioning Dowels(④) on Left Side Panel(B), Left Center Panel(D), Right Center Panel(E) and Right Side Panel(C) into Top Panel(A).

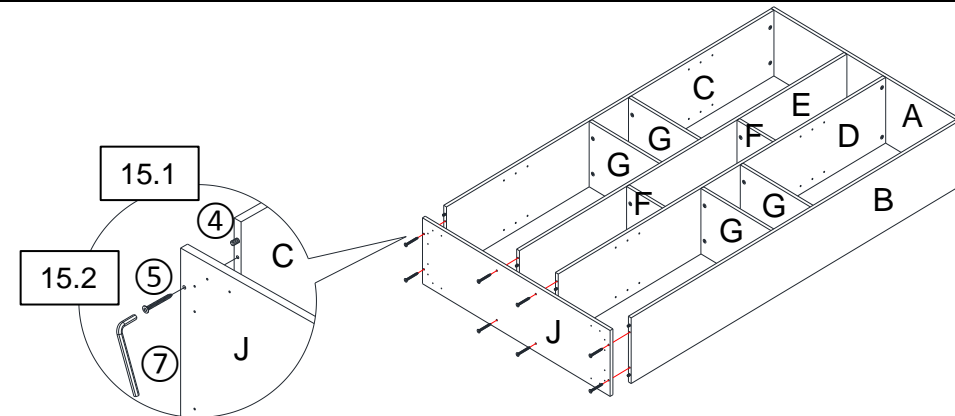
Insert Cam Bolts(②) on Top Panel(A) into Left Side Panel(B), Left Center Panel(D), Right Center Panel(E) and Right Side Panel(C).

Note: Ensure the arrow on Cam Lock head points towards the Cam Bolt mounting position.

14.2) Turn the Cam Locks(①) clockwise with the Screwdriver(⑩) until they lock into place.

14.3) Cover Cam Locks(①) with Cam Caps(③) by hand.

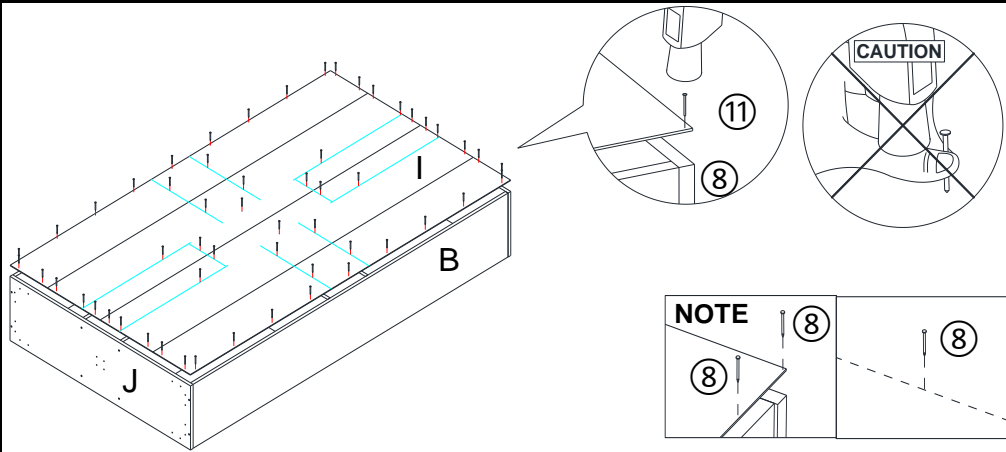
Step 15



15.1) Insert Positioning Dowels(④) from Left Side Panel(B), Right Side Panel(C), Left Center Panel(D) and Right Center Panel(E) into mounting positions on Bottom Panel(J).

15.2) Attach Bottom Panel(J) to Left Side Panel(B), Right Side Panel(C), Left Center Panel(D) and Right Center Panel(E) using Cap Wood Screws(⑤) with Allen Key(⑦).

Step 16

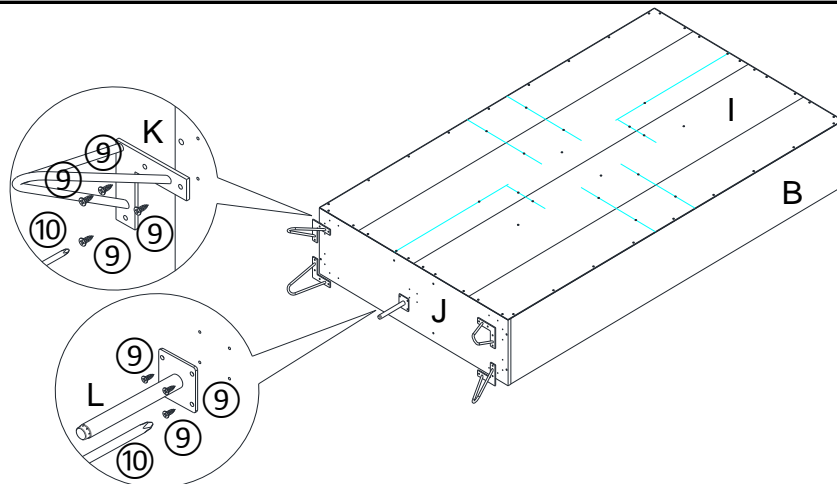


Attach Back Panel(I) to Multi-Functional Cabinet Assembly using Nails(⑧) with Hammer(⑪).

Please be extra careful when using a Hammer to avoid injury.

Note: Hit Nails along all four edges (slightly inwards from sides) on the lines drawn on the Back Panel(I).

Step 17



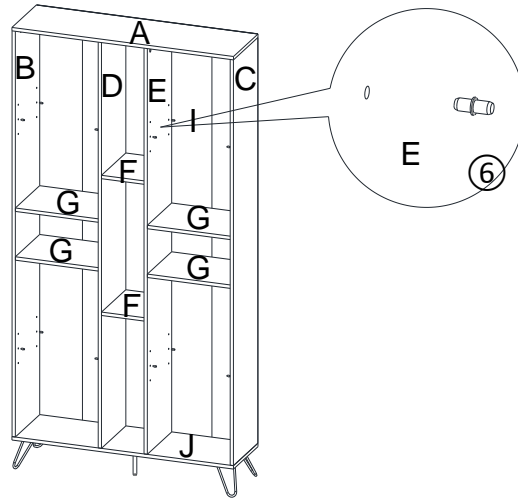
Attach Legs(K) and Middle Leg(L) to Bottom Panel(J) using Screws(⑨) with Screwdriver(⑩).

Tighten the Screws fully in a sequential manner.

Caution: Legs(K) should be facing outwards. Misassembly and reassembly may cause damage and instability to the product.

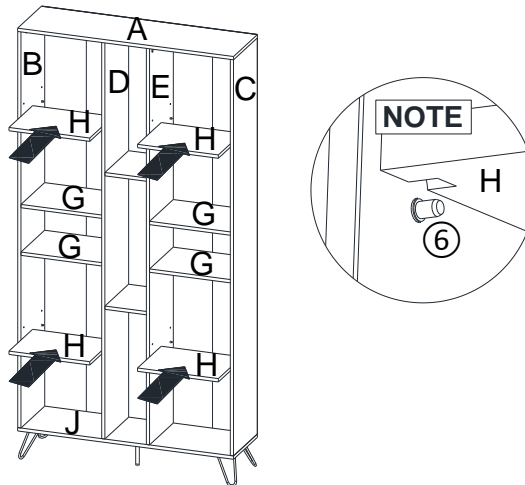
Note: There are pre-existing mounting positions on the Bottom Panel to attach the Legs and Middle Leg.

Step 18



Insert Metal Shelf Support(⑥) into mounting positions on Left Side Panel(B), Right Side Panel(C), Left Center Panel(D) and Right Center Panel(E) by hand.

Step 19



Put Shelf Panels(H) in place on Shelf Supports(⑥).

Note: There are lead mounting positions on Shelf Panels to fit Metal Shelf Supports.

Cabinet Restraint Device Installation Instructions

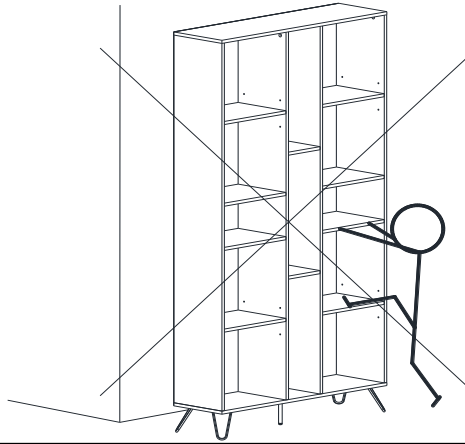


WARNING

Serious or fatal crushing injuries can occur from tipping furniture.
To help prevent tip-over: **ALWAYS** secure this furniture to the wall using Cabinet Restraint Device.

See product instructions for more ways to help prevent furniture tip-over.

Step 20

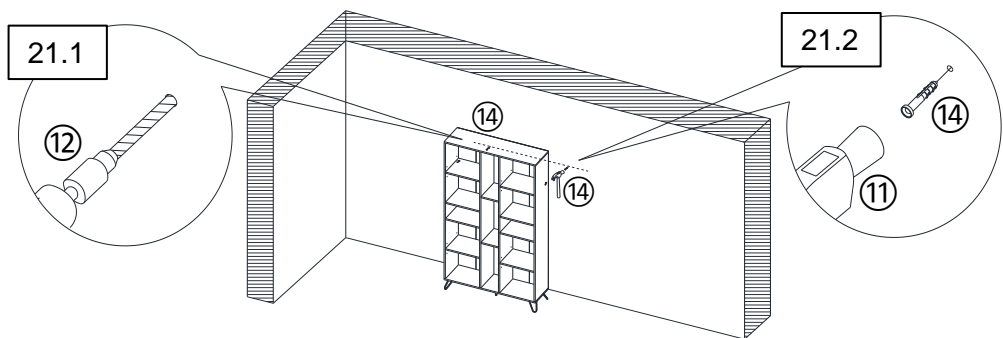


Usage For Cabinet Restraint Device:

To Secure Multi-Functional Cabinet against wall, attach Metal Brackets(13) to wall and product, and use Cabinet Restraint Straps(17) to connect the Metal Brackets(13).

Instructions:

Step 21



21.1) Drill two holes on wall at same height as Metal Brackets(13) on Multi-Functional Cabinet with Power Drill(12).

You can mark these points in two ways as below:

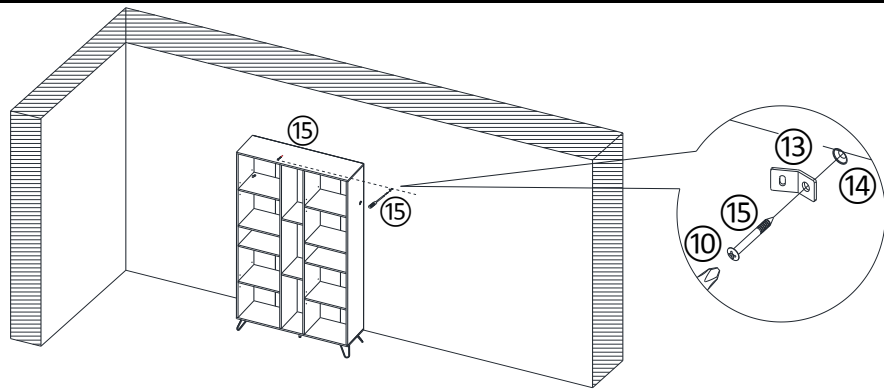
1) Move the Multi-Functional back to the wall. Mark two points same height as pre-assembled Metal Bracket(13) in Multi-Functional Cabinet on the wall.

Note: The Metal Brackets need to be secured to solid, load bearing surface. Please use a Stud Finder(not supplied) if needed to locate the Wall Frame.

2) Measure the height of the Metal Brackets(13) with ruler/measuring tape and mark on wall to keep them accurate and same height.

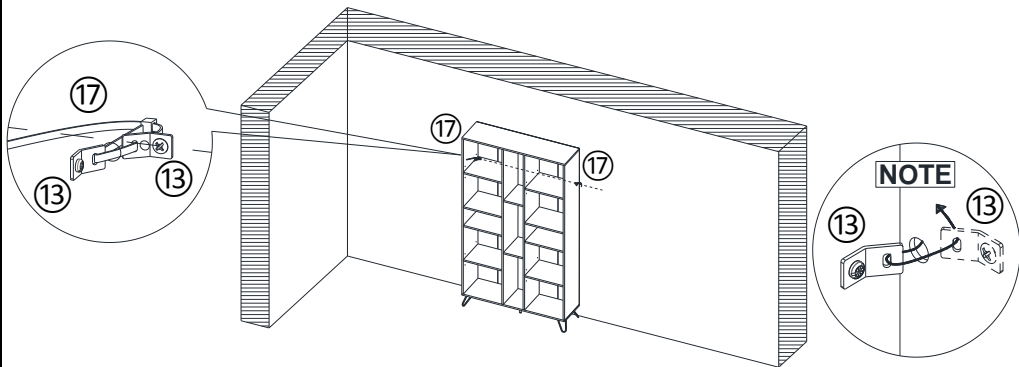
21.2) Insert Wall Plugs(15) into holes on wall with Hammer(11).

Step 22



Attach Metal Brackets(13) to Wall Plugs(14) using Wall Plug Screws(15) with Screwdriver(10).

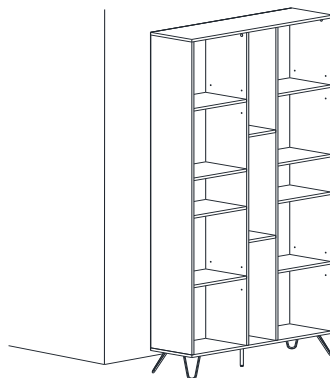
Step 23



Move the Multi-Functional Cabinet back against wall. Pull the Restraint Straps(17) through the Metal Brackets(13) on the wall and Multi-Functional Cabinet one by one, and pull the Restraint Straps(17) tight.

Note: There are lead mounting positions on Back Panel to allow Restraint Straps(17) to be inserted through.


















Step 24



Your Multi-Functional Cabinet is ready for use.

This Multi-Functional Cabinet can only be used on a flat, level surface.

Care & Maintenance

-   ● Do not put hot items directly on furniture surface
 -   ● Do not clean furniture with harsh cleansers or polish.
 -   ● To obtain the longest lifespan of your outdoor products, minimizing exposure to direct sunlight is recommended.
 -   ● Children should not climb or jump on the furniture.
 -   ● Do not write on furniture without a padded barrier to protect the surface.
 -   ● To obtain the longest lifespan of your outdoor products, avoid extended and lengthy exposure to rain, snow, and direct sunshine. Whenever possible cover the product and /or place under patio or awnings.
 -   ● Not for commercial use. For residential use only .
 -   ● Stains may be removed with mild soap solution and damp cloth.
-
-   ● Dust and pick-up spills using a clean, non-colored, lint-free cloth .

Questions & Answers about Proposition 65

• What is Proposition 65?

Proposition 65 requires businesses to provide warnings to Californians about significant exposures to chemicals that cause cancer, birth defects or other reproductive harm. These chemicals can be in the products that Californians purchase, in their homes or workplaces, or that are released into the environment. By requiring that this information be provided, Proposition 65 enables Californians to make informed decisions about their exposures to these chemicals.

Proposition 65 also prohibits California businesses from knowingly discharging significant amounts of listed chemicals into sources of drinking water.

Proposition 65 requires California to publish a list of chemicals known to cause cancer, birth defects or other reproductive harm. This list, which must be updated at least once a year, has grown to include approximately 900 chemicals since it was first published in 1987.

• What types of chemicals are on the Proposition 65 list?

The list contains a wide range of naturally occurring and synthetic chemicals that include additives or ingredients in pesticides, common household products, food, drugs, dyes, or solvents. Listed chemicals may also be used in manufacturing and construction, or they may be byproducts of chemical processes, such as motor vehicle exhaust.

• What does a warning mean?

If a warning is placed on a product label or posted or distributed at a workplace, a business, or in rental housing, the business issuing the warning is aware or believes that it is exposing individuals to one or more listed chemicals.

By law, a warning must be given for listed chemicals unless the exposure is low enough to pose no significant risk of cancer or is significantly below levels observed to cause birth defects or other reproductive harm.

• Where can I get more information on Proposition 65?

If you have specific questions on the administration or implementation of Proposition 65, you can contact OEHHA's Proposition 65 program at P65.Questions@oehha.ca.gov, or by phone at (916) 445-6900.