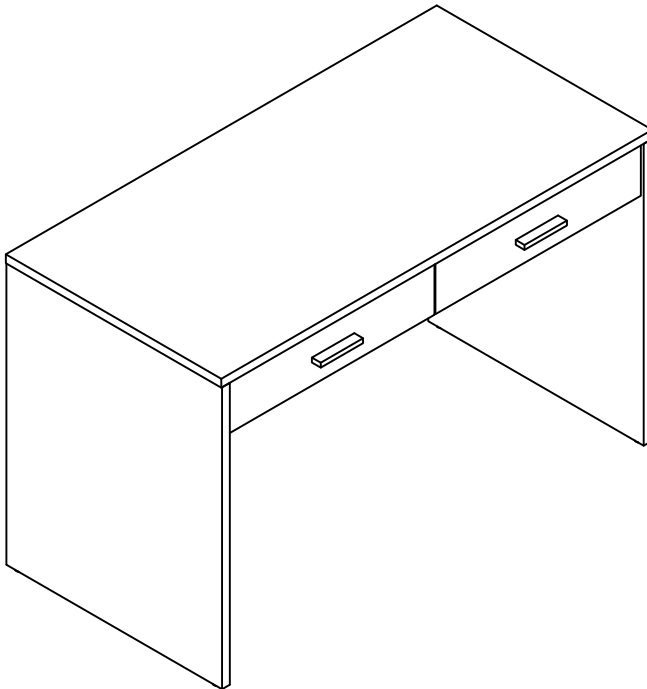


JESSEY 2 DRAWER WOOD DESK

DESIGN #SFV4236

Assembly Instructions



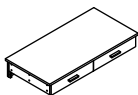
SAFAVIEH
C O U T U R E

Thanks for bringing Safavieh Couture into your home

Everything we make is incredibly simple to set up, including your new desk. You won't need any additional tools.

Parts List

A x 1
TABLE TOP



B x 1
LEFT LEG



C x 1
RIGHT LEG



Hardware List

HW1 x 14
Bolt M8x35mm



HW2 x 14
Flat Washer M8x16mm



HW3 x 14
Spring washer M8x14mm

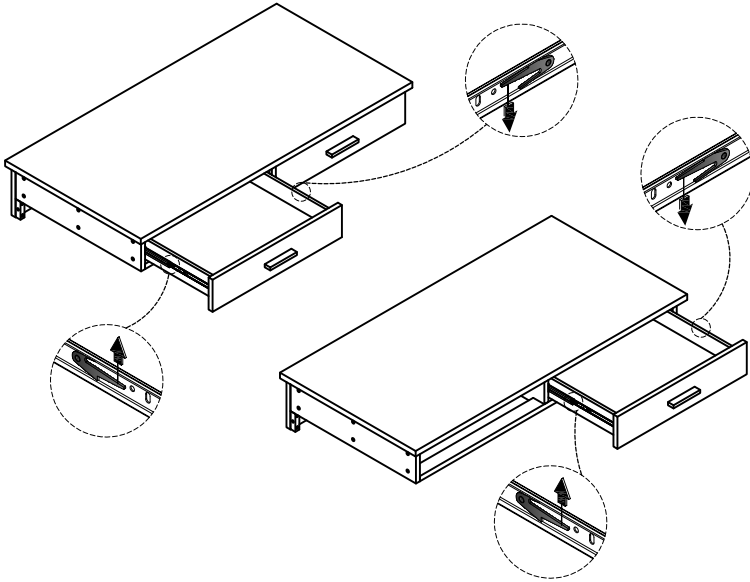


HW4 x 1
Allen key



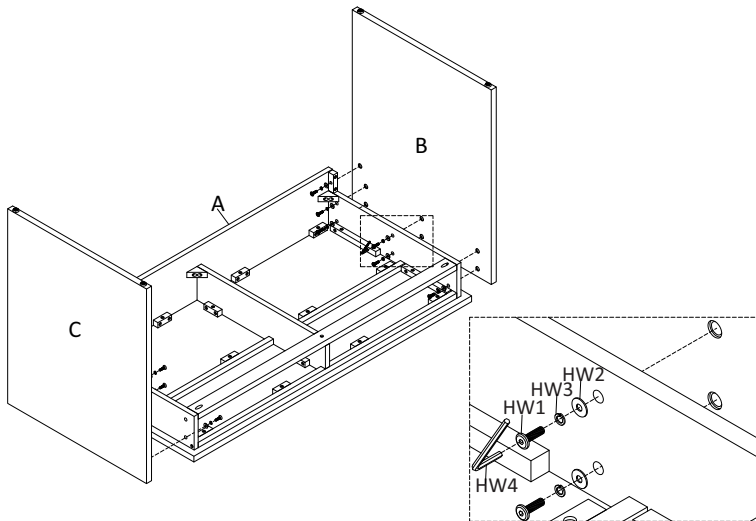
1

Remove all 2 drawers from the table top (A). To remove the drawers, pull out the drawer and pull the latch on the left up and push the latch on the right down as shown. Slide the drawer out.



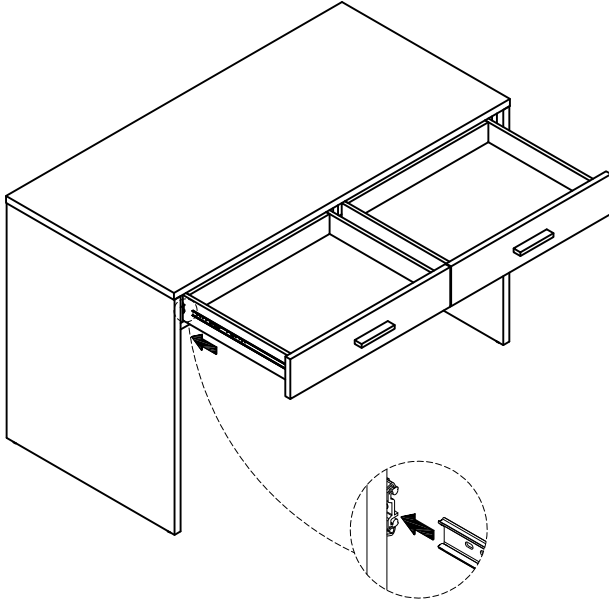
2

Place the Spring washers (HW3) and Flat washers (HW2) on the bolts (HW1). Align the screw holes on the table top (A) to the screw holes on the leg (B) & (C). Attach them by using the Allen key (HW4) to screw in the bolts (HW1) with the washers.



3

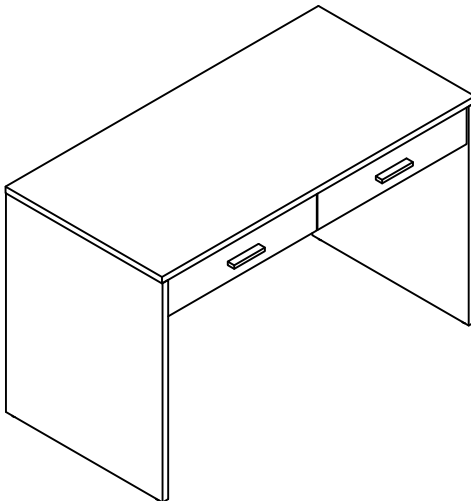
Slide the drawers back into the table top (A) by aligning the drawer glides and pushing them in.



4

Place the desk in the place where you will use it. We'd love to see it – just tag us (we're @safavieh) and use the hashtag #safavieh on Instagram!

@safavieh



Need help?

Feel free to contact us via email or call
if you have any specific questions!

contact us:

cs@safavieh.com

866-422-9070