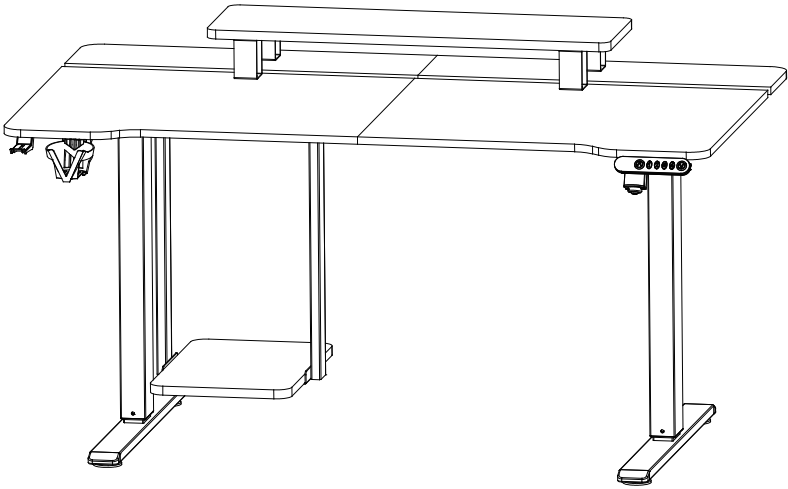


Electric Height Adjustable Standing Desk





IMPORTANT INFORMATION
READ CAREFULLY.
KEEP THIS INFORMATION FOR FURTHER REFERENCE.

GENERAL GUIDELINES

- Please read the following instruction carefully and use the product accordingly.
- Please keep this manual and hand it over when you transfer the product.
- This summary may not include every detail of all variations and considered steps. Please **contact us** when further information and help are needed.

NOTES







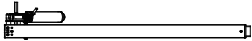
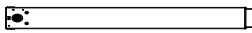




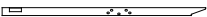



- Please follow the assembly instructions precisely and only use the product as intended.
- If an odor is present when first opening the package, please leave the unwrapped product in a shaded and ventilated area for a few days to air out.
- Prior to assembly, please check the product for defects or missing accessories. If any defects are found or accessories are missing, do not use product as damage or injury may occur;
- Please **contact us** for assistance and replacement.
- During assembly, please only slightly tighten all screws in their correct position first, then fully tighten them. A Philips screwdriver is recommended but not included.
- It is suggested you regularly check the products bolts and connections to ensure safe use.
- Assemble the item on a soft flat and clean surface to avoid scratches and damage.

WARNINGS

- During assembly, keep parts and packaging materials away from children and pets as there could cause injury and are a potential choking hazard.
- Avoid sharp objects or corrosive chemicals to prevent damage to the product.
- Please open the item slowly and cautiously to avoid pinching your hands by metal joints, especially children.

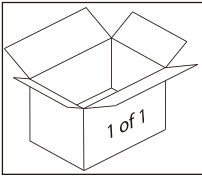
Components

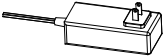
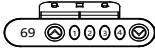
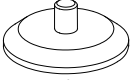


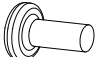
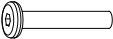
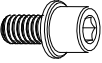



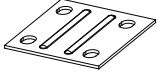
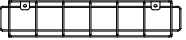

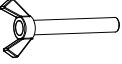

Please check you have all the pieces listed below

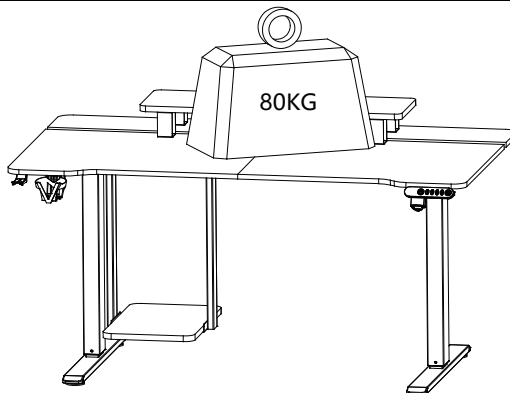
Reference	Description	Part	Quantity
①	Desktop-1		1
②	Desktop-2		1
③	Desktop-3		1
④	Desktop-4		1
⑤	Desktop-5		1
⑥	Desktop-6		1
⑦	Leg		1
⑧	Leg		1
⑨	Support beam		2
⑩	Support beam		2
⑪	Support beam		2
⑫	Left Side Bracket		1
⑬	Right Side Bracket		1
⑭	Base		2
⑮	Support		2
⑯	Sync Rod		1

Components

Please check you have all the pieces listed below



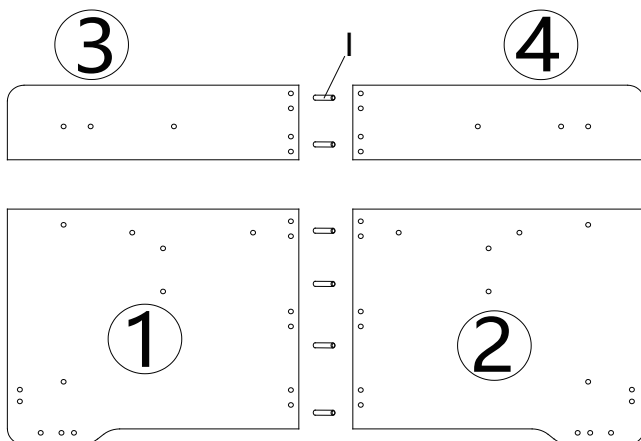
<p>A</p>  <p>Power supply x1</p>	<p>B</p>  <p>Controller x1</p>	<p>C</p>  <p>Leveling Studs x4</p>
<p>D</p>  <p>Wire Clips x5</p>	<p>E</p>  <p>4mm Allen Key x1</p>	<p>F</p>  <p>Screws M6x12 x60</p>
<p>G</p>  <p>Screws M6x35 x10</p>	<p>H</p>  <p>Screws M5x8 x14</p>	<p>I</p>  <p>Wooden Rod x8</p>
<p>K</p>  <p>Sheet metal part x4</p>	<p>L</p>  <p>Hexagon bar x1</p>	<p>N</p>  <p>Connector x5</p>
<p>O</p>  <p>Hanging basket x1</p>	<p>P</p>  <p>Cup holder x1</p>	<p>R</p>  <p>Butterfly screw M6x40 x2</p>
<p>S</p>  <p>Headphone hook x1</p>		



1

Arrange the panel and install the wooden pins

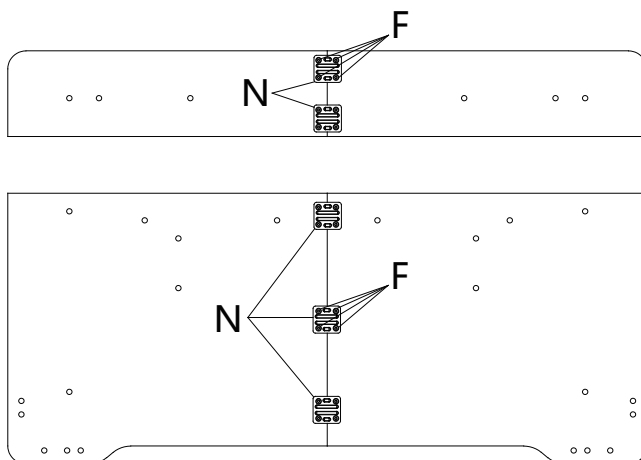
I	X 6
Wooden Rod	



2

Secure the desktop with the connecting board (N)

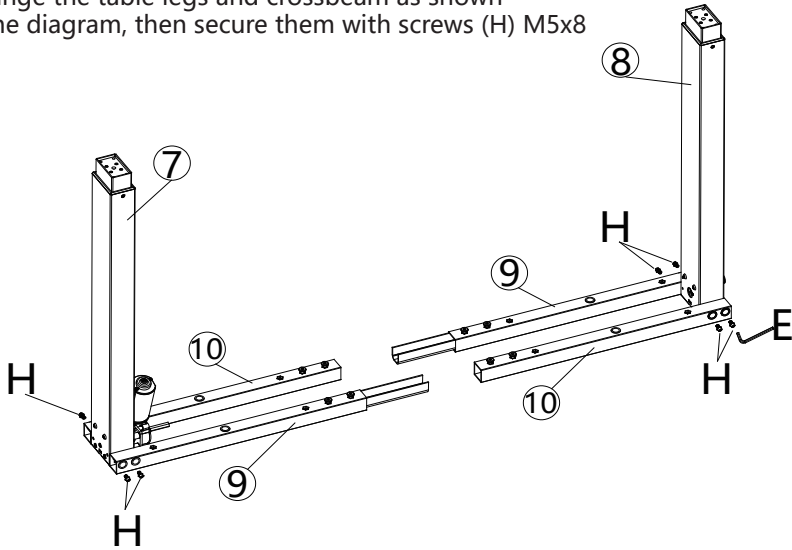
E	X 1	F	X 20	N	X 5
4mm Allen Key		Screws M6X12		Connector	



3

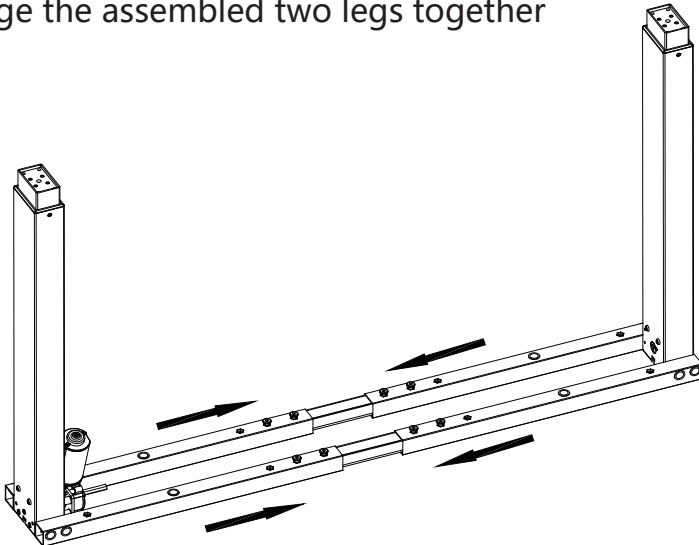
E X 1	H X 8
4mm Allen Key	Screws M5X8

Arrange the table legs and crossbeam as shown in the diagram, then secure them with screws (H) M5x8



4

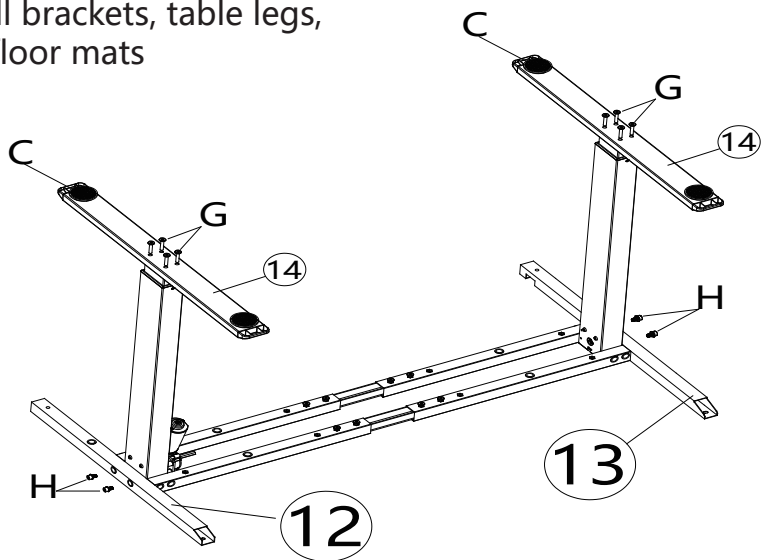
Merge the assembled two legs together



5

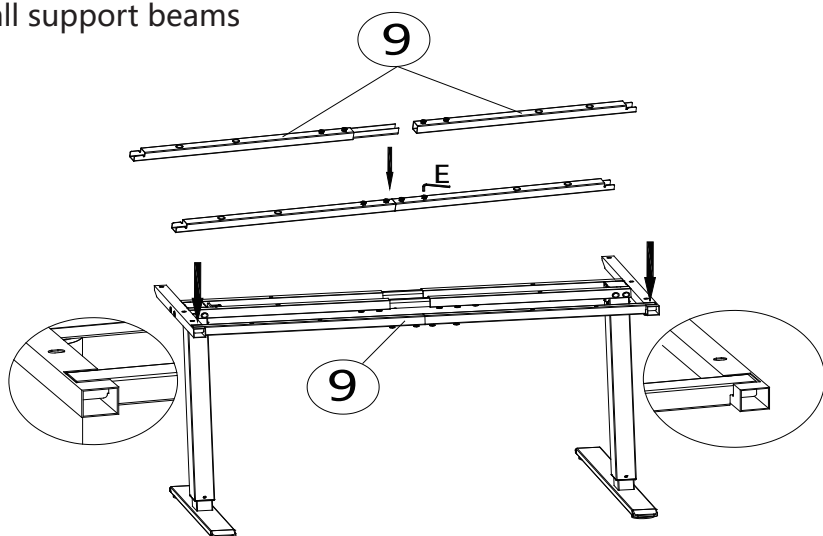
C X 4	E X 1	G X 8
Leveling Studs	4mm Allen Key	Screws M6X35

Install brackets, table legs, and floor mats



6

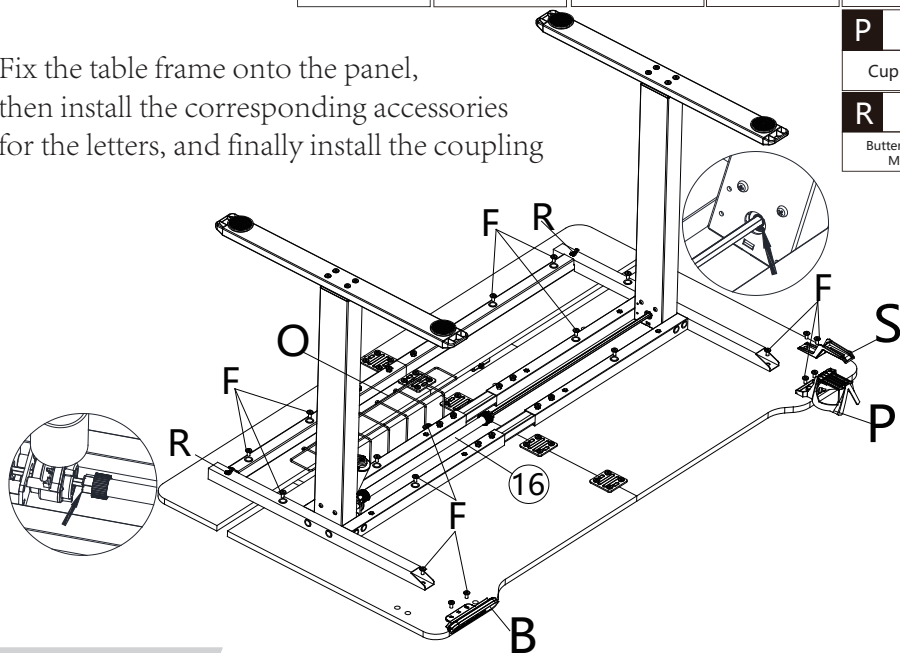
Install support beams



7

F X20	O X1	E X1	B X1	S X1
Screws M6X12	Hanging basket	4mm Allen Key	Controller	Headphone hook
				P X1
				Cup holder
				R X2
				Butterfly screw M6x40

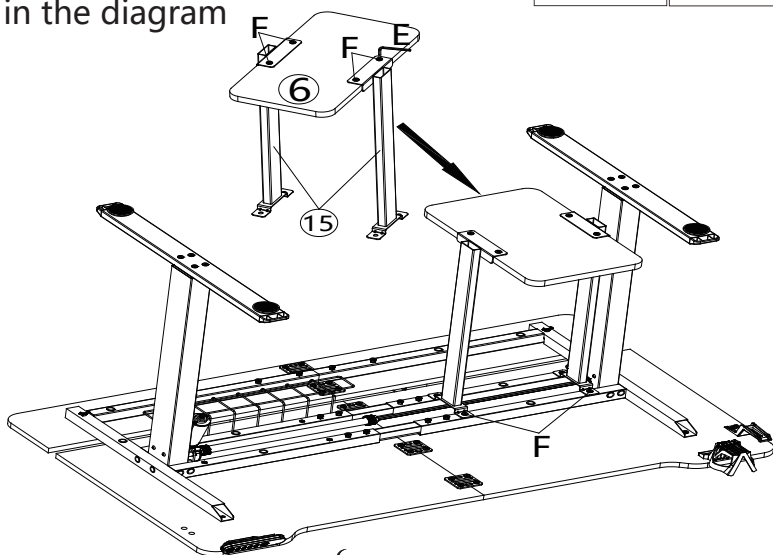
Fix the table frame onto the panel, then install the corresponding accessories for the letters, and finally install the coupling



8

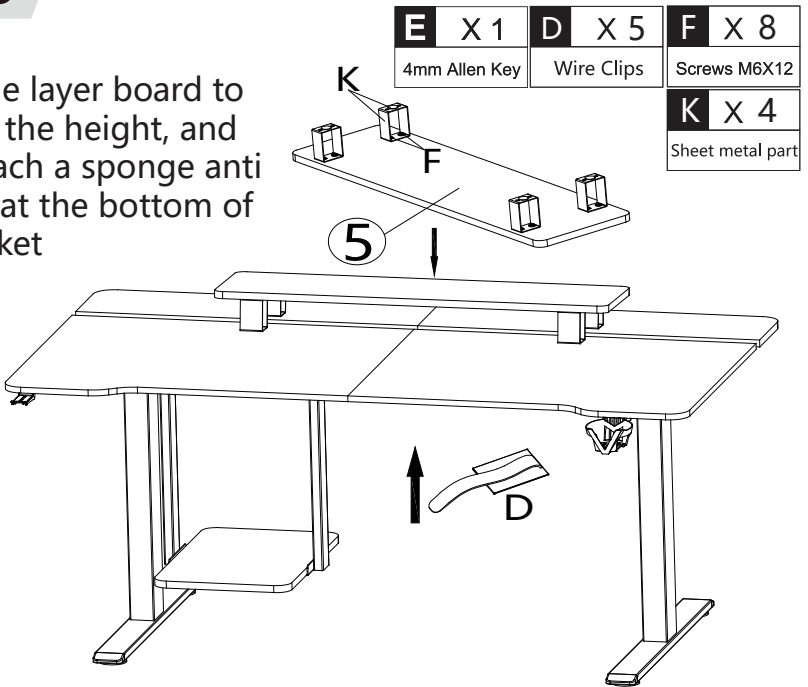
Install the computer host bracket as shown in the diagram

F X8	E X1
Screws M6X12	4mm Allen Key



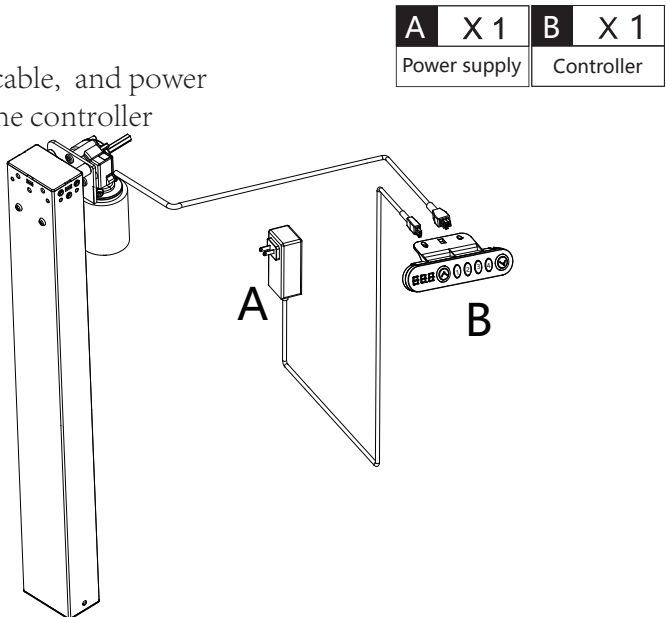
9

Install the layer board to increase the height, and then attach a sponge anti slip pad at the bottom of the bracket

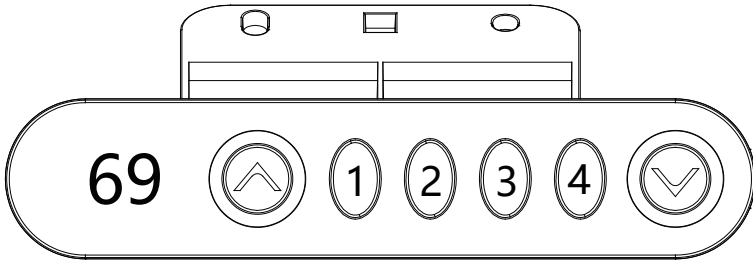


10

Connect the motor cable, and power cable together with the controller



CONTROLLER INSTRUCTION



RESET Setting	Method 1: Press and hold “^” and “v” buttons on the controller at the same time for seconds until you hear the beep. Release the buttons. The desk will go automatically until it shows 69, and the reset is successful.
Height Adjustment	Up: Press Up “^” .Down: Press Down “v” .
Switch Display	Press and hold “v” and Button 4 to switch cm to inch to cm.
Memory Height	Press and hold any storage button (1, 2, 3, or 4), hear a “beep” sound and see the number flash twice, then release the button. The height of this position will be stored in the memory. When recalling the working height, press the memory position button, and the table will automatically adjust to the memorized height. Note: This table has four different height memories. The stored memory positions remain valid after the power is turned off. You can use the up and down buttons to adjust the standing workbench to the desired height.

Trouble shooting Guide:

If your standing desk does not work properly, you may need to reset it.

If any error codes appear, you need to reset it.

If it still does not work after the reset, please contact us for more help.

Maintenance and Consideration:

1. During daily maintenance, use a clean soft cloth to remove surface dust. Do not use a wet cloth or hard material to wipe the surface of the table.
2. Avoid contacting the surface with acid-based chemicals.
3. For slight scratches, gently wipe with a soft cloth, you can smooth out scratches. Avoid attaching tape directly to the outer surface of the metal feet to prevent paint from peeling.