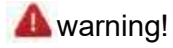


# ASSEMBLY INSTRUCTION

## ASSEMBLY TIPS:

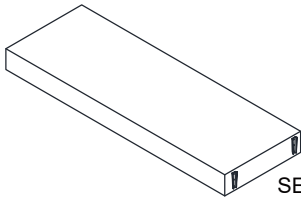
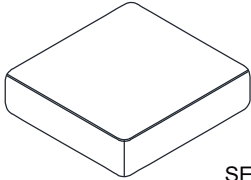
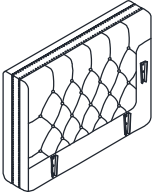
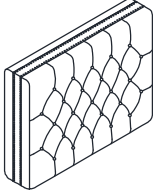
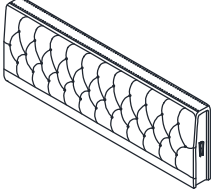
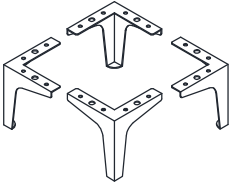
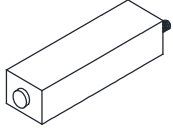
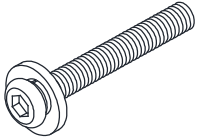

- 1.Remove hardware from box and sort by size.
- 2.Please check to see that all hardware and parts are present prior to start of assembly.
- 3.Please follow attached instruction in the same sequence as numbered to assure fast & easy assembly.



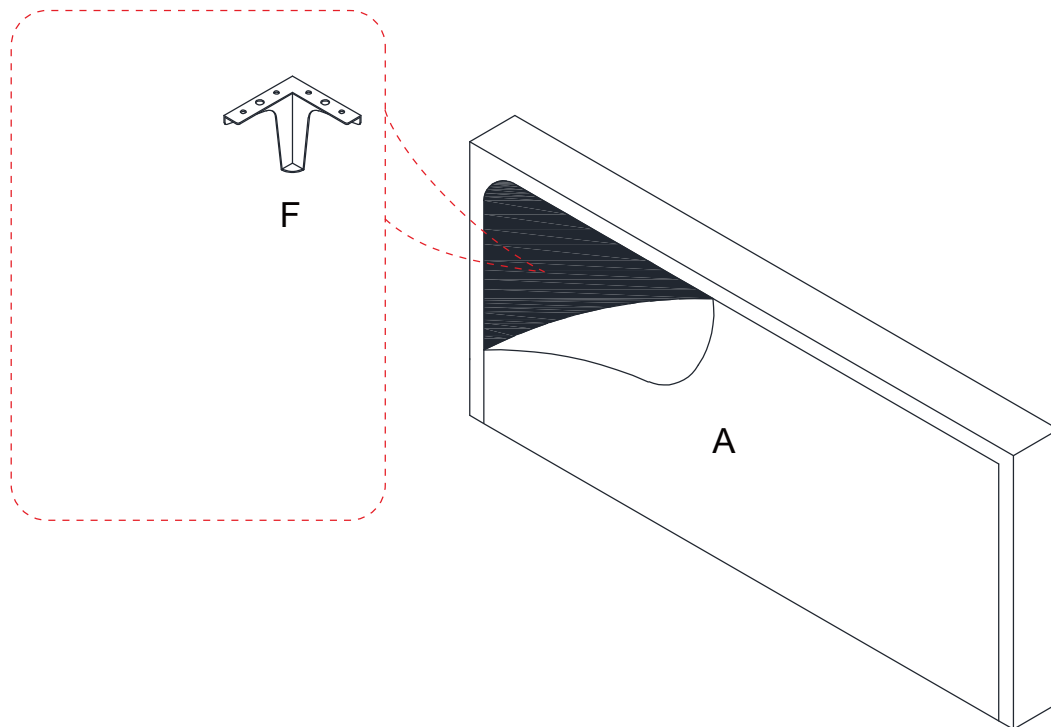
warning!

- 1.Don't attempt to repair or modify parts that are broken or defective. Please contact the store immediately.
- 2.This product is for home use only and not intended for commercial establishment.

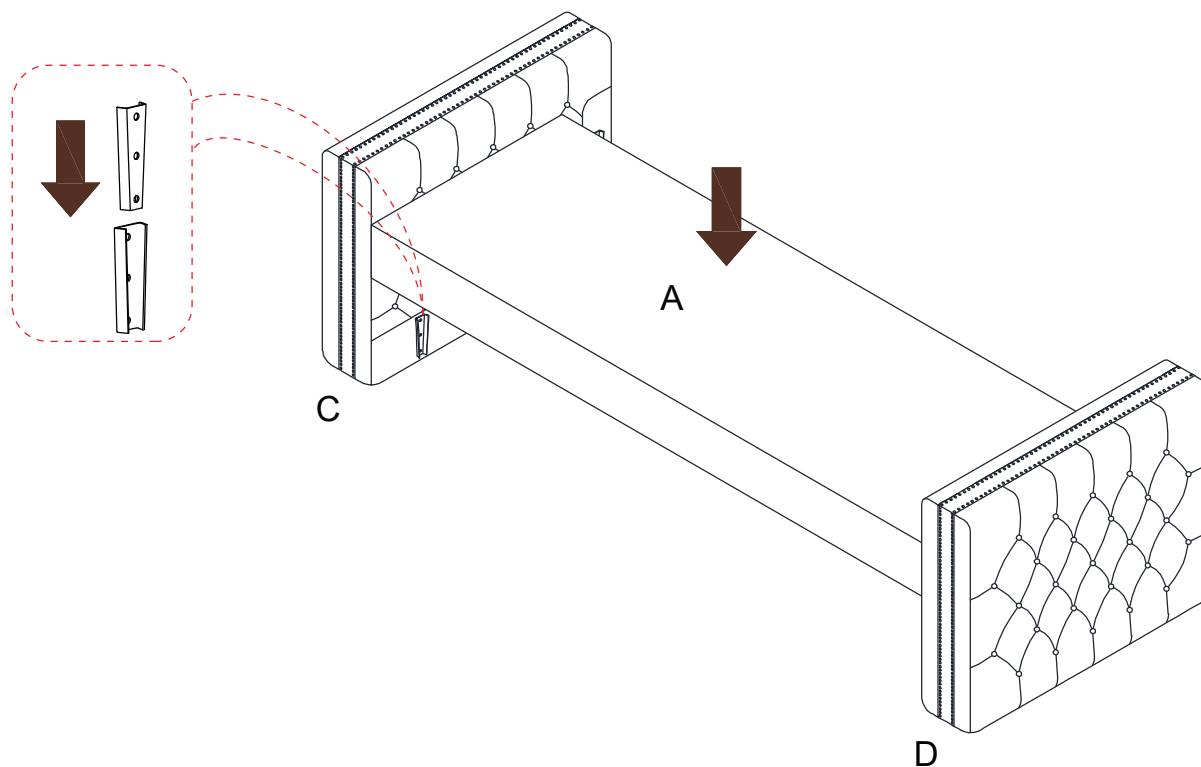
## PARTS IDENTIFICATION

A	 SEAT FRAME	1pc	B	 SEAT CUSHION	3pcs
C	 LIFT ARM	1pc	D	 RIGHT ARM	1pc
E	 BACK FRAME	1pc	F	 LEG	4pcs
I	 LEG	1pc	J	 BOLT	8pcs
K	 ALLEN KEY	1pc			

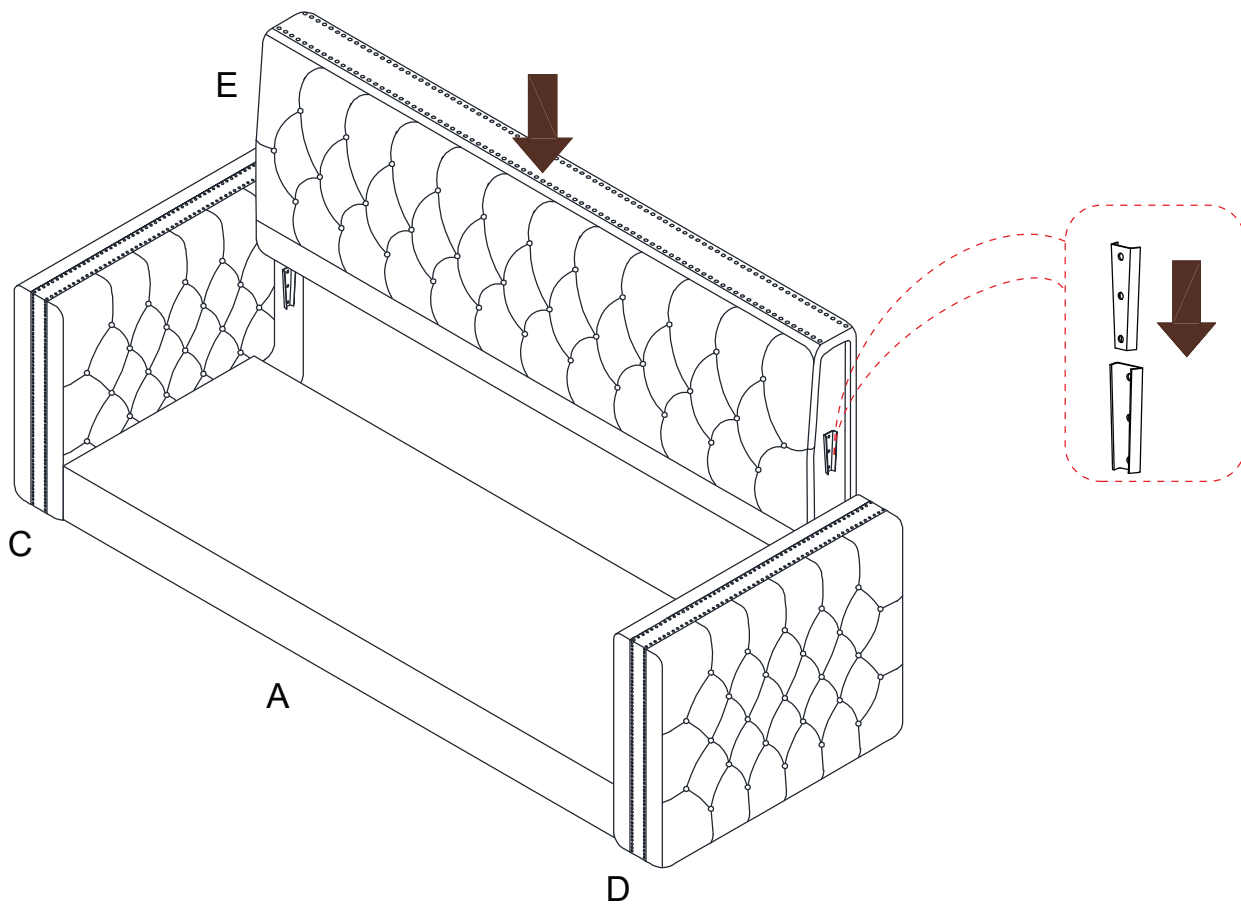
# STEP1:



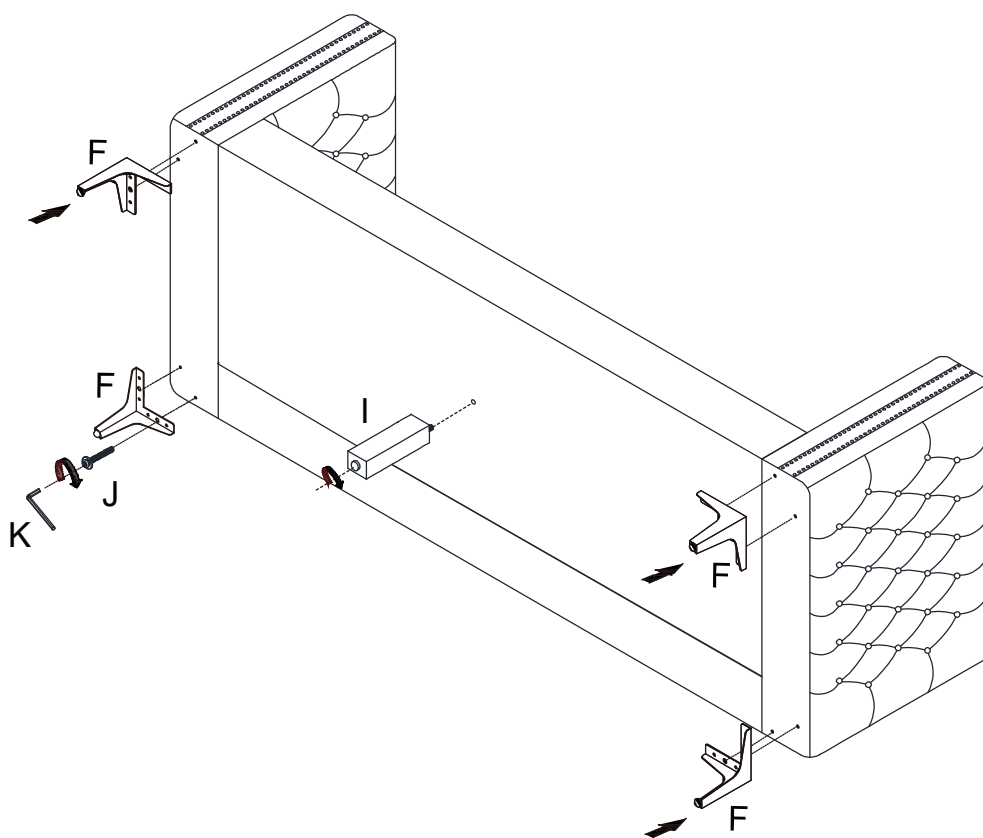
# STEP2:



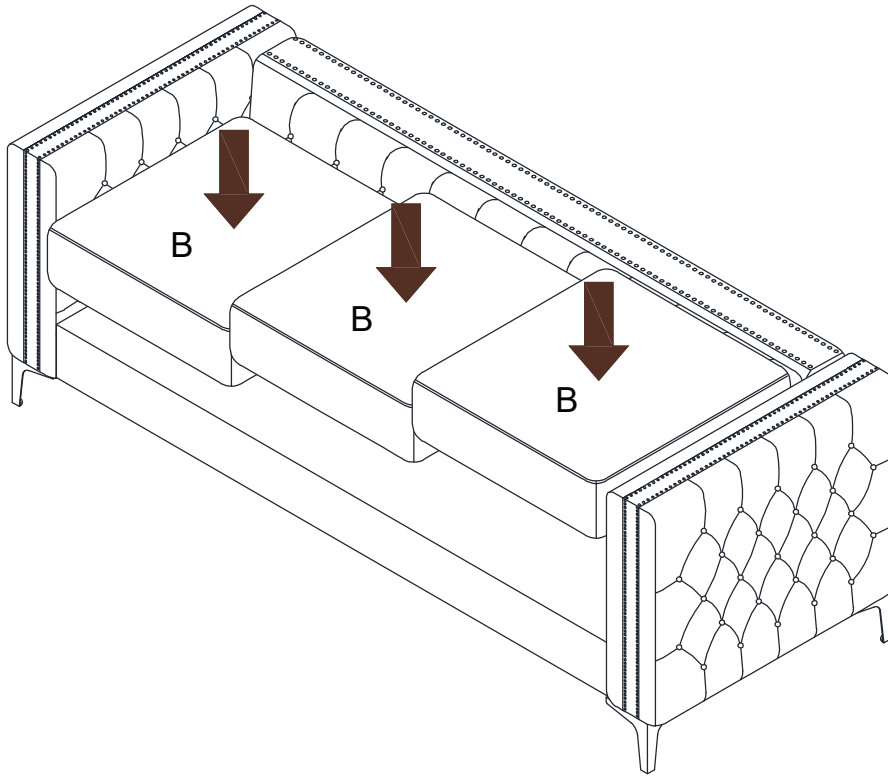
### STEP3:



### STEP4:



## STEP5:



## STEP6 :

