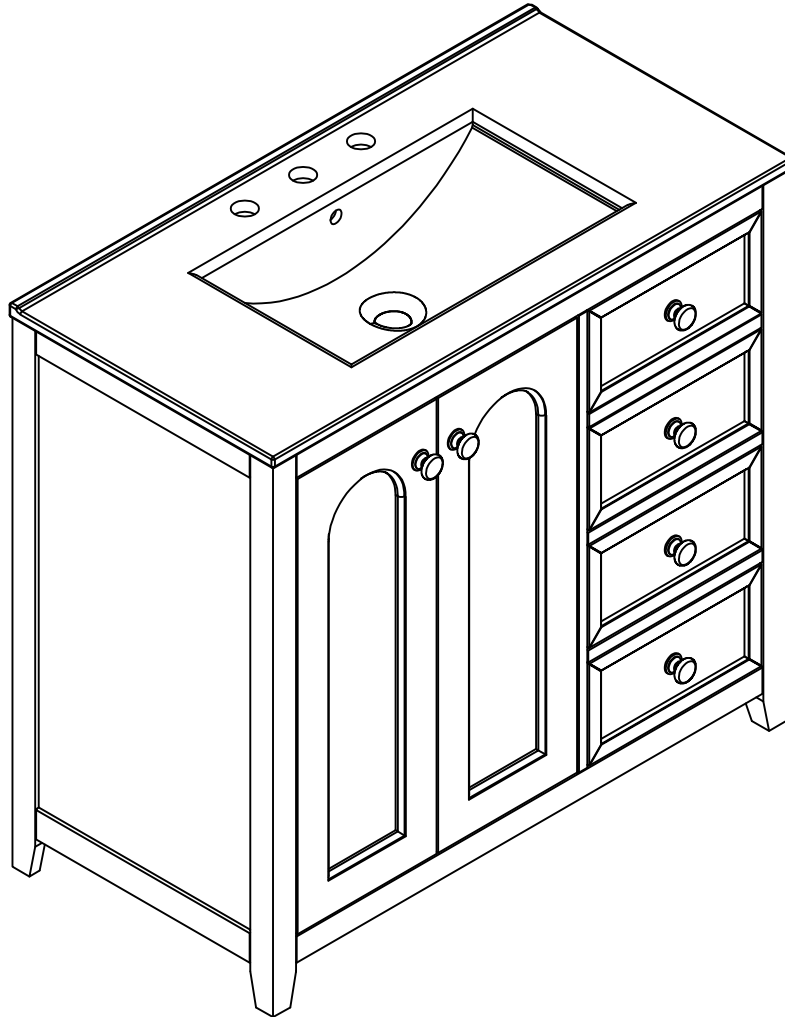


# ASSEMBLY INSTRUCTIONS


## BATH VANITY-CABINET

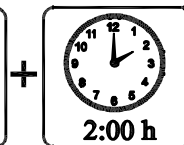
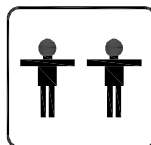
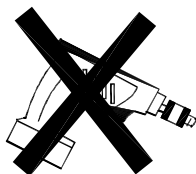


Thank you for purchasing this quality product. Be sure to check all packing material carefully for small parts which may have come loose inside the carton during shipment. Separate, identify and count all parts and hardware.

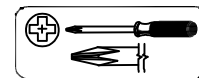
Compare with the parts list to be sure all parts are present.

**DO NOT TIGHTEN SCREWS UNTIL COMPLETELY ASSEMBLED**

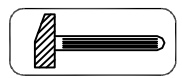
  
\* Use of power tool to assemble this product will invalidate any claim and damage this product making unsafe !!!  
\* Please assemble on a clean soft surface to avoid damage.



### Tools Required



(Not included)



(Not included)

**IMPORTANT:**  
**PLEASE READ INSTRUCTION BEFORE STARTING THE ASSEMBLY**

Thank you for buying our products.

Please read the installation manual carefully before installation,

we need you to follow the instructions on the accessories and hardware

step by step assembly complete, our instructions are very detailed.

Products are environmentally friendly products,

Please rest assured that you do not soak in water, do not place very heavy items,

do not malicious push and pull,

if you have any problems in the process of assembly and use, please contact us.

Thank you again for your purchase of our products,

I wish you a happy life.

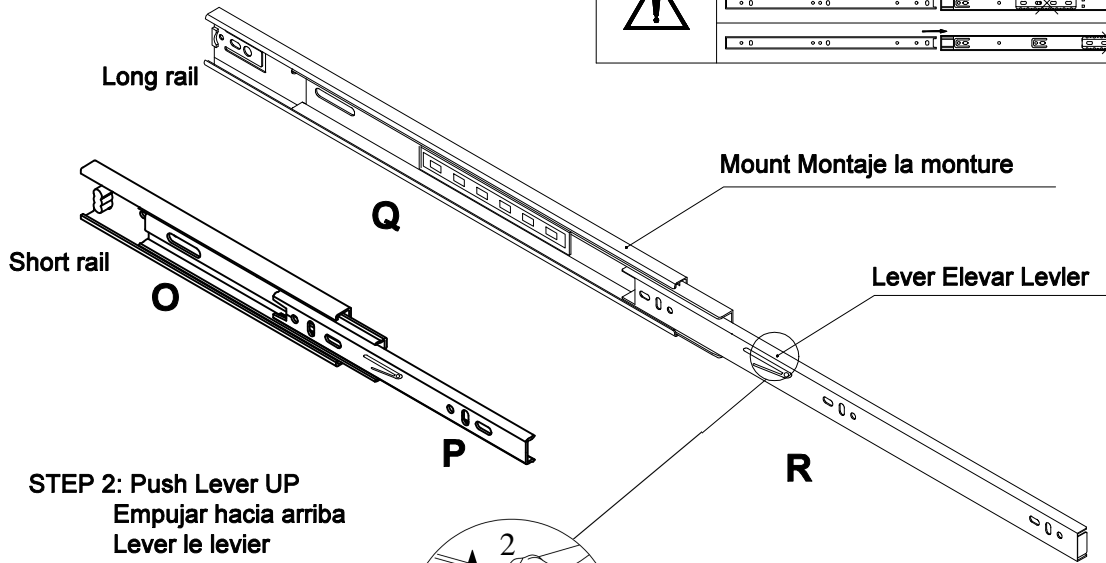
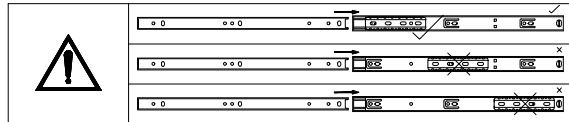
**Slides Must Be Separated Before Assembly.  
After Separated, Set Aside Until Needed for Assembly.**

Las diapositivas deben separarse antes del montaje.  
Después de la separación, déjelo a un lado hasta que sea necesario.

Les glissières doivent être séparées avant l'assemblage.  
Après la séparation, mettez de côté jusqu'au moment de l'assemblage.

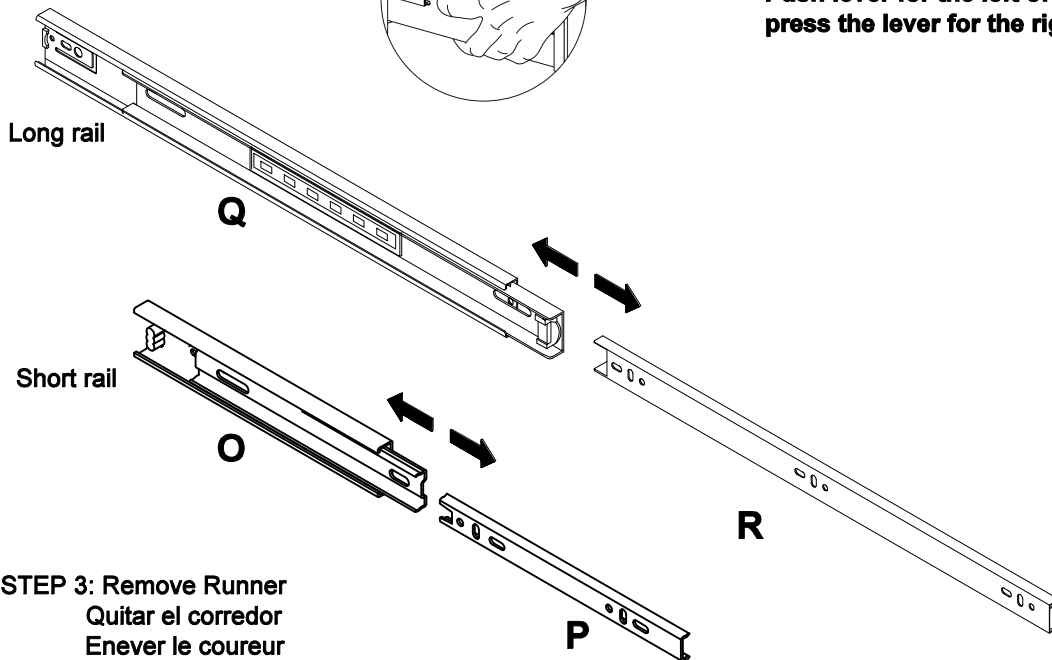
**Pay attention when connecting !  
The sliding module must be at the front end.**

**STEP 1 : Extend Slide  
Extender la diapositiva**



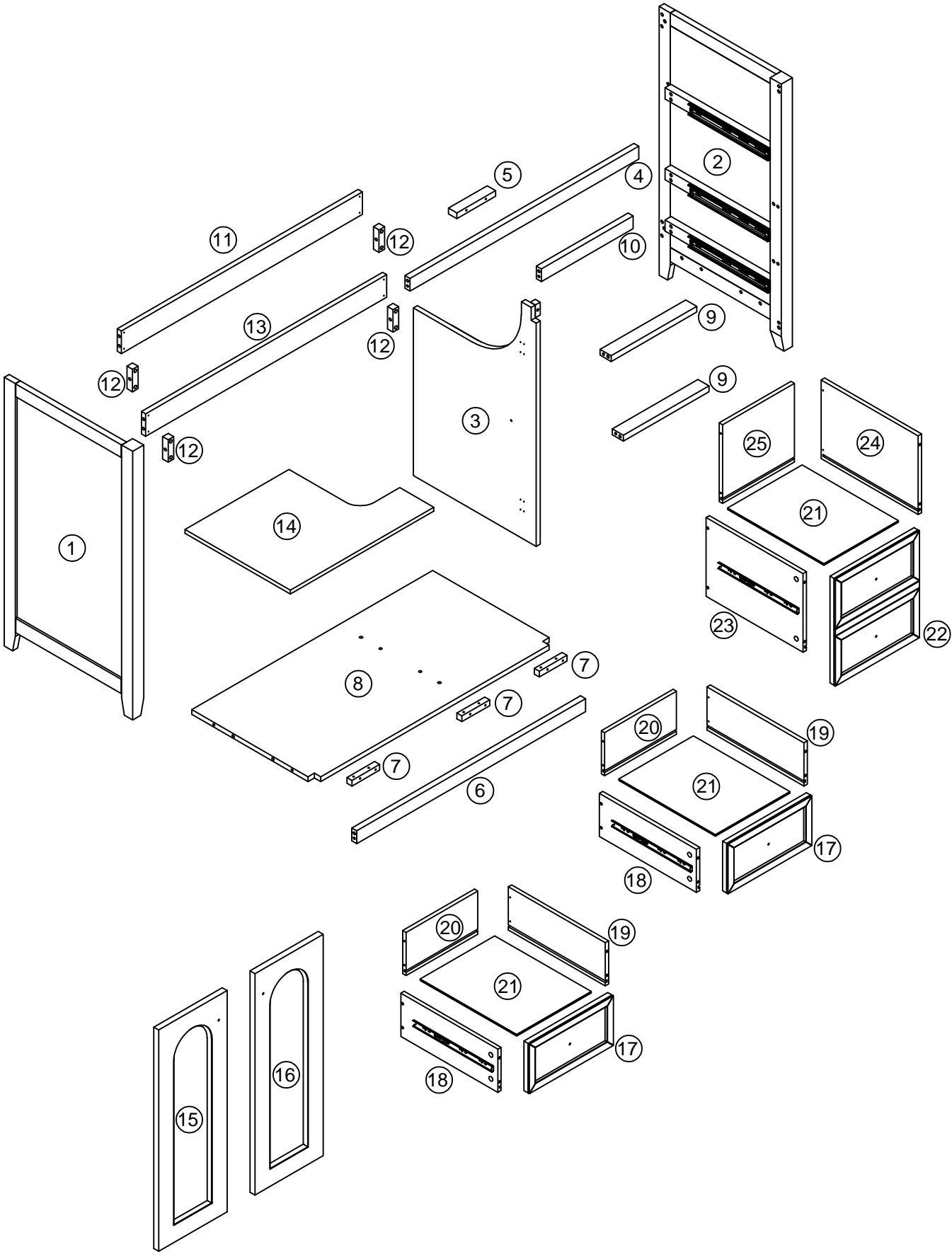
**STEP 2: Push Lever UP  
Empujar hacia arriba  
Levier le levier**

**Push lever for the left of drawer ,  
press the lever for the right of drawer.**



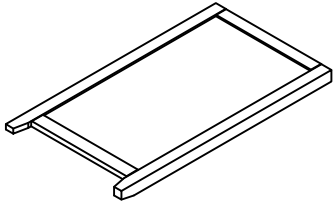
**STEP 3: Remove Runner  
Quitar el corredor  
Enlever le coureur**

# Detail View



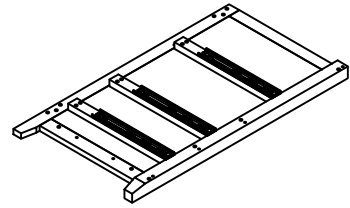
# Part Lists

1



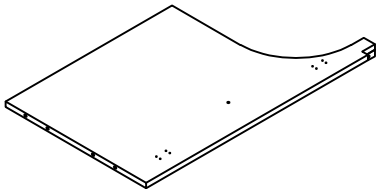
Side Panel (L) - 1pc

2



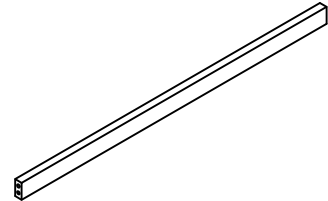
Side Panel (R) - 1pc

3



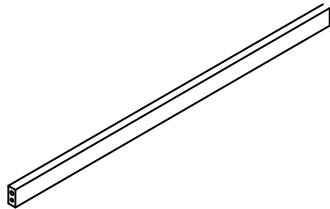
Panel Mid - 1pc

4



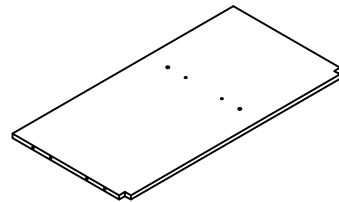
Front Crossbar Top - 1pc

6



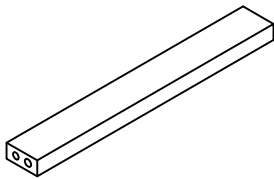
Front Crossbar Bottom - 1pc

8



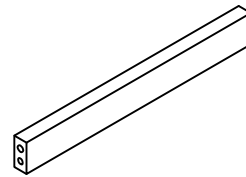
Frame Bottom - 1pc

9



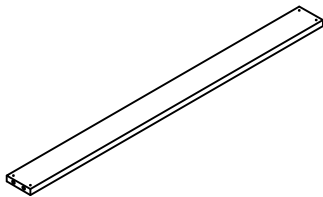
Front Crossbar Mid - 2pcs

10



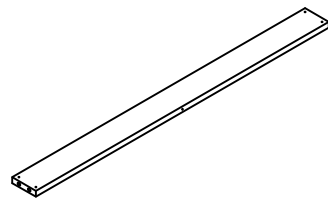
Rear Crossbar Mid - 1pc

11



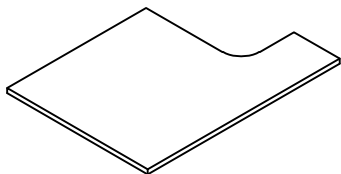
Rear Crossbar Top - 1pc

13



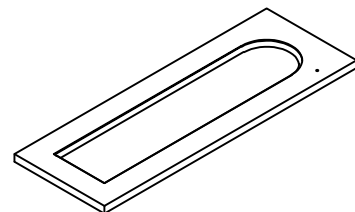
Rear Crossbar Bottom - 1pc

14



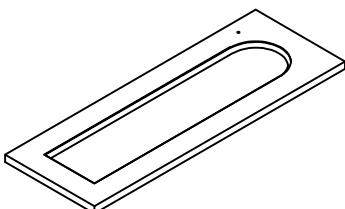
Adjustable Shelf - 1pc

15



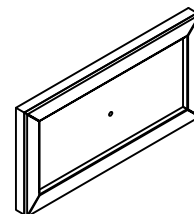
Door Cabinet (L) - 1pc

16



Door Cabinet (R) - 1pc

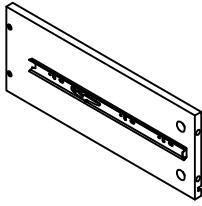
17



Bottom Drawer Face - 2pcs

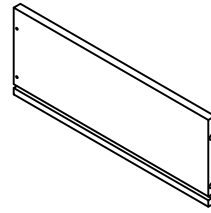
# Part Lists

18



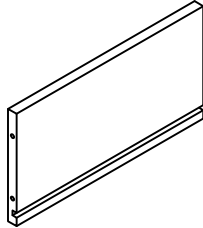
Bottom Drawer Panel Side (L) - 2pcs

19



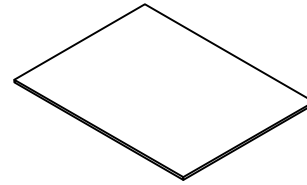
Bottom Drawer Panel Side (R) - 2pcs

20



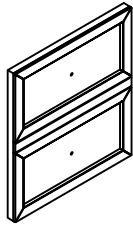
Bottom Drawer Panel Rear - 2pcs

21



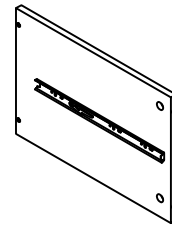
Panel Bottom - 3pcs

22



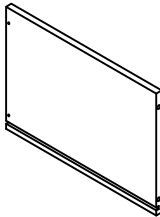
Top Drawer Face - 1pc

23



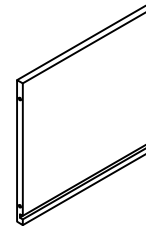
Top Drawer Panel Side (L) - 1pc

24

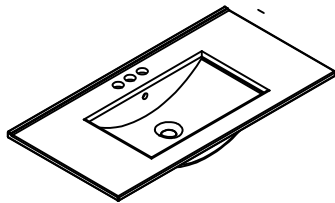


Top Drawer Panel Side (R) - 1pc

25


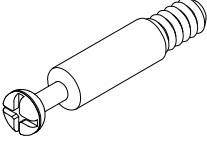

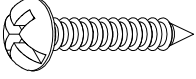

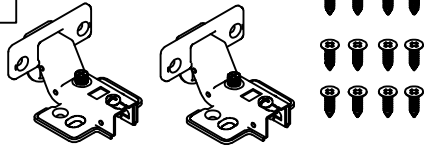
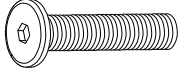
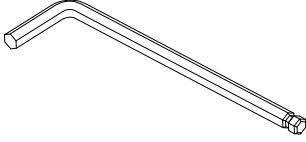


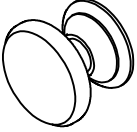


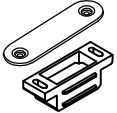
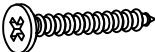


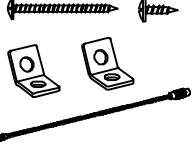
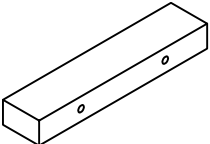
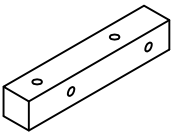
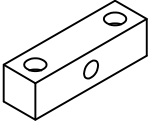


Top Drawer Panel Rear - 1pc

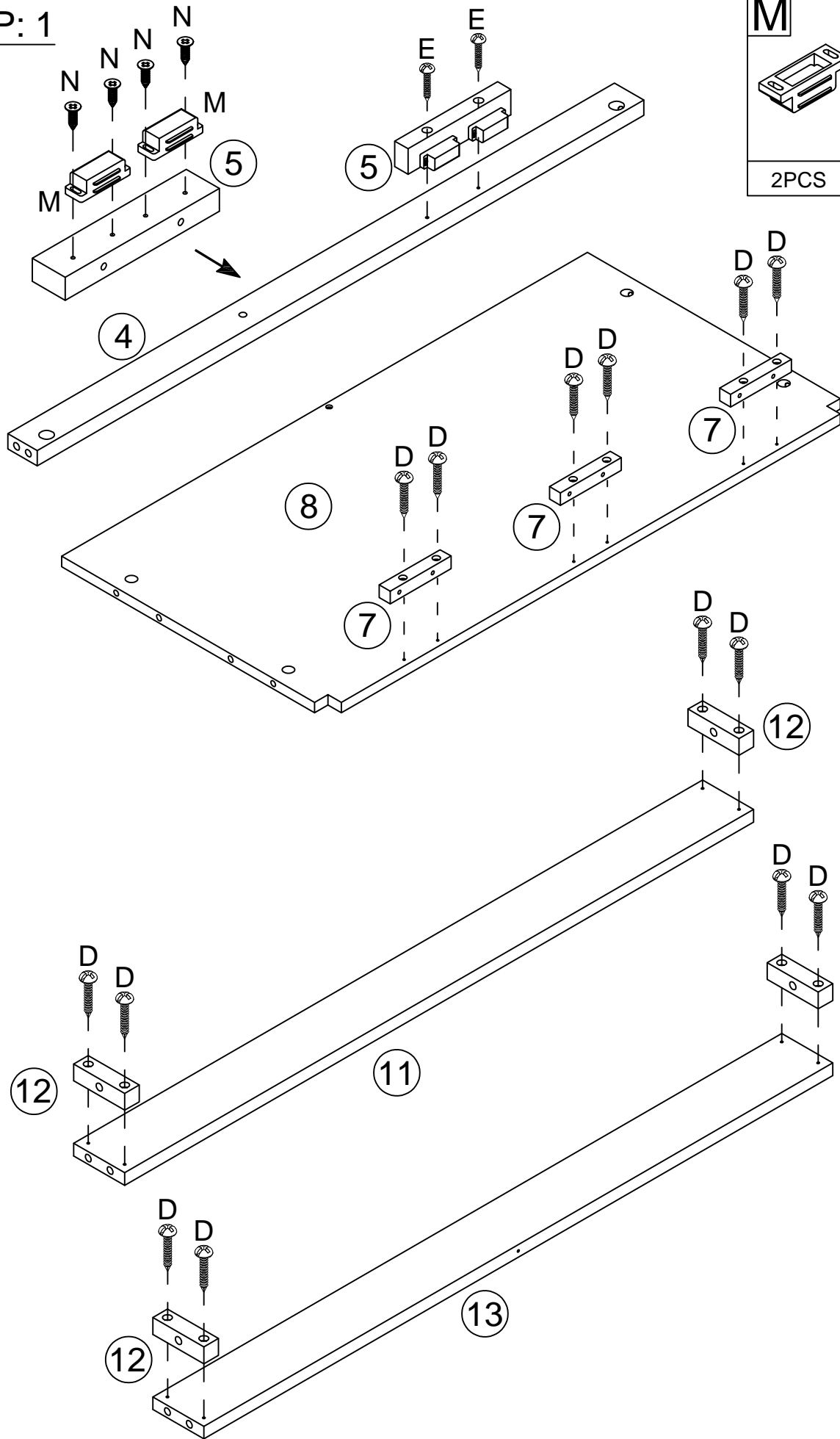


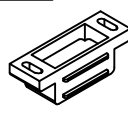
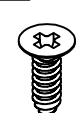
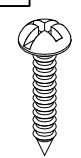
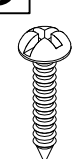
Lavabo - 1pc

# Hardware Lists

<p><b>A</b></p>  <p>Ø8*20mm</p>	<p><b>B</b></p>  <p>Ø6*32mm</p>	<p><b>C</b></p>  <p>Ø14.5*9.5mm</p>
<p>Wood dowel (24pcs)</p>	<p>Three in one bolts (28pcs)</p>	<p>Three in one locks (28pcs)</p>
<p><b>D</b></p>  <p>Ø8xØ4*25mm</p>	<p><b>E</b></p>  <p>Ø8xØ4*35mm</p>	<p><b>F</b></p> 
<p>Round head screw (21pcs)</p>	<p>Round head screw (2pcs)</p>	<p>Damping hinge (2sets)</p>
<p><b>G</b></p>  <p>Ø13xØ1/4*30mm</p>	<p><b>H</b></p>  <p>K4mm</p>	<p><b>I</b></p> 
<p>Hex-Head bolt (5pcs)</p>	<p>Allen key (1pc)</p>	<p>Shelf Pin (3pcs)</p>
<p><b>J</b></p>  <p>Ø6xØ3*12mm</p>	<p><b>K</b></p> 	<p><b>L1</b></p>  <p>Ø5/32*28mm</p>
<p>Round head screw (3pcs)</p>	<p>Handle(6pcs)</p>	<p>Handle screw (2pcs)</p>
<p><b>L2</b></p>  <p>Ø5/32*25mm</p>	<p><b>M</b></p>  <p>45*12*1mm 45*17*14mm</p>	<p><b>N</b></p>  <p>Ø6xØ3*15mm</p>
<p>Handle screw (4pcs)</p>	<p>Plastic Door Magnet (2sets)</p>	<p>Flat head screw (8pcs)</p>
<p><b>O</b></p>  <p>Ø10x10mm</p>	<p><b>P</b></p>  <p>Ø8xØ4*50mm</p>	<p><b>Q</b></p> 
<p>Plastic Canopy (12pcs)</p>	<p>Round head screw (12pcs)</p>	<p>Anti fall Hardware (2sets)</p>
<p><b>5</b></p> 	<p><b>7</b></p> 	<p><b>12</b></p> 
<p>Support Piece (1pc)</p>	<p>Support Piece (3pcs)</p>	<p>Support Piece (4pcs)</p>

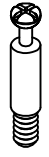
**STEP: 1**



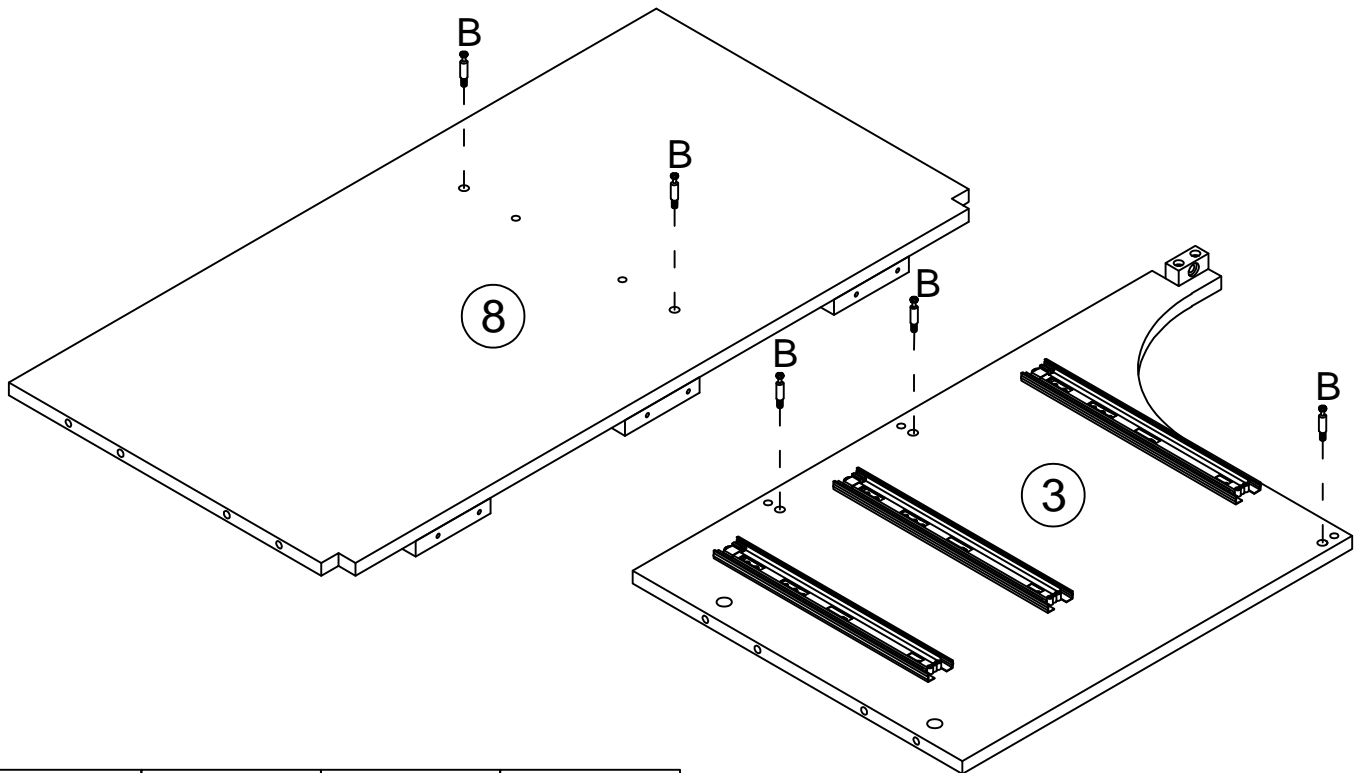
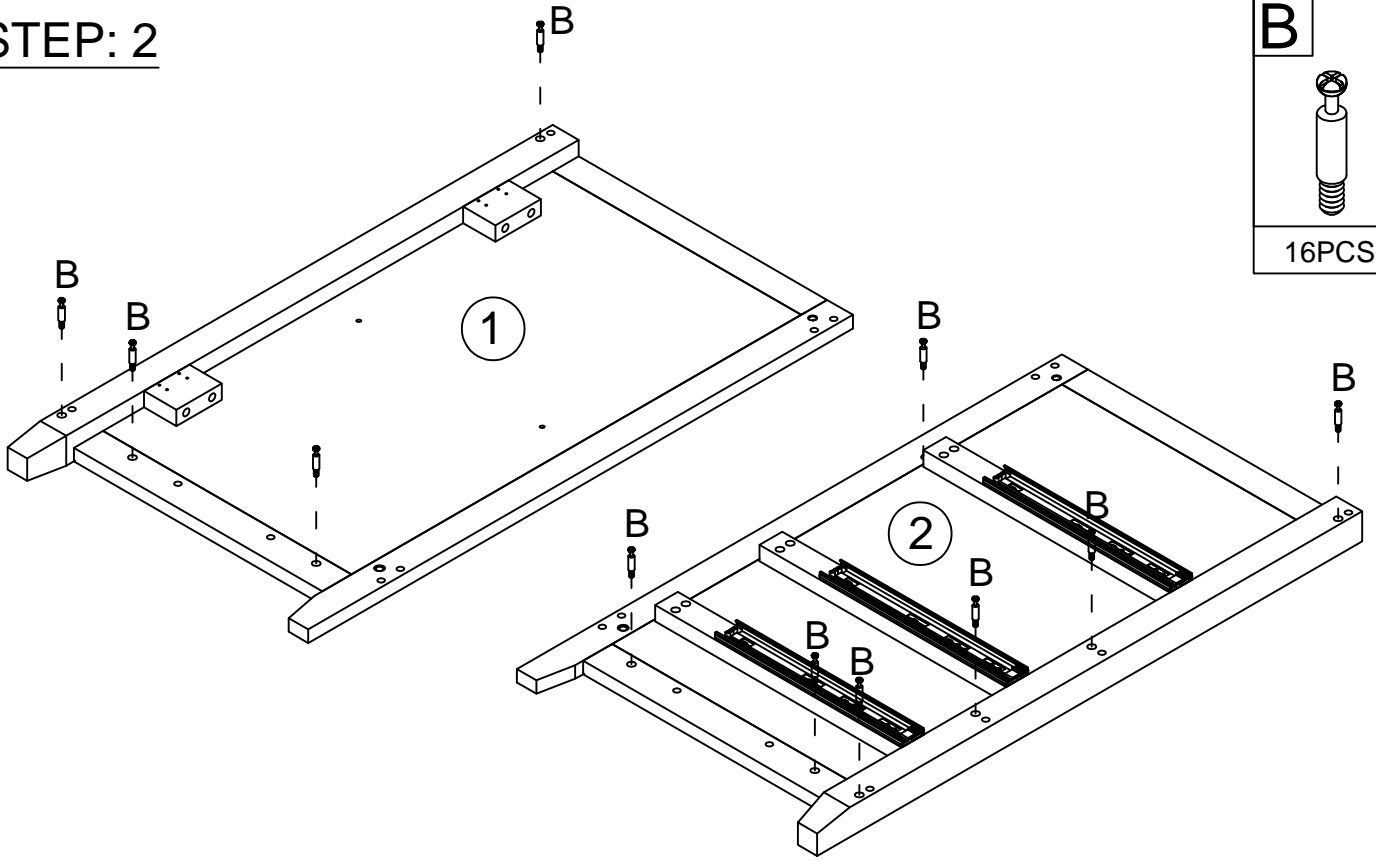
<p><b>M</b></p> 	<p><b>N</b></p> 
<p>2PCS</p>	<p>4PCS</p>
<p><b>E</b></p> 	
<p>2PCS</p>	
<p><b>D</b></p> 	
<p>14PCS</p>	


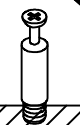

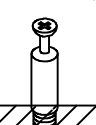
# STEP: 2

**B**

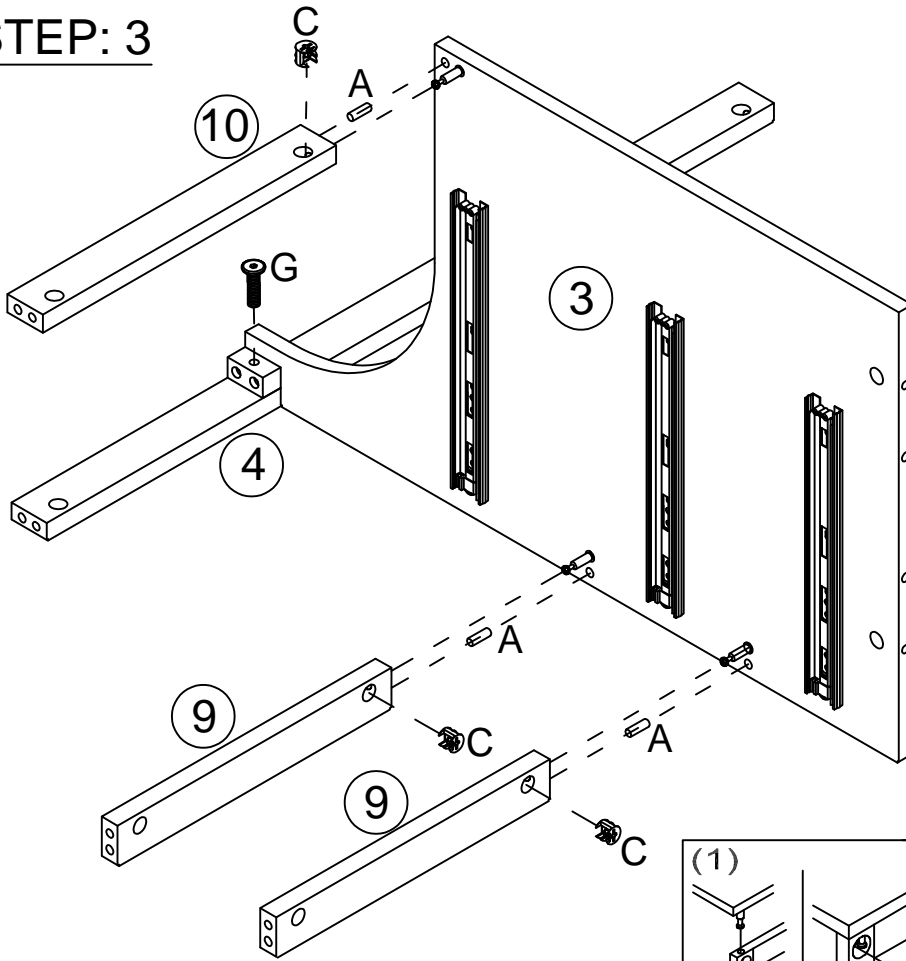


16PCS

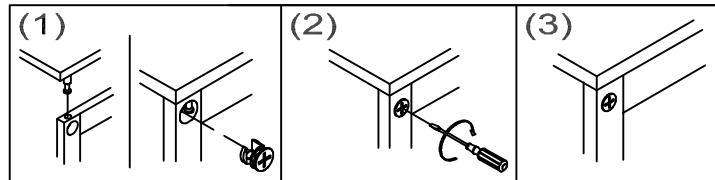


	 ✓	 ✗	 ✗
---	---	---	---

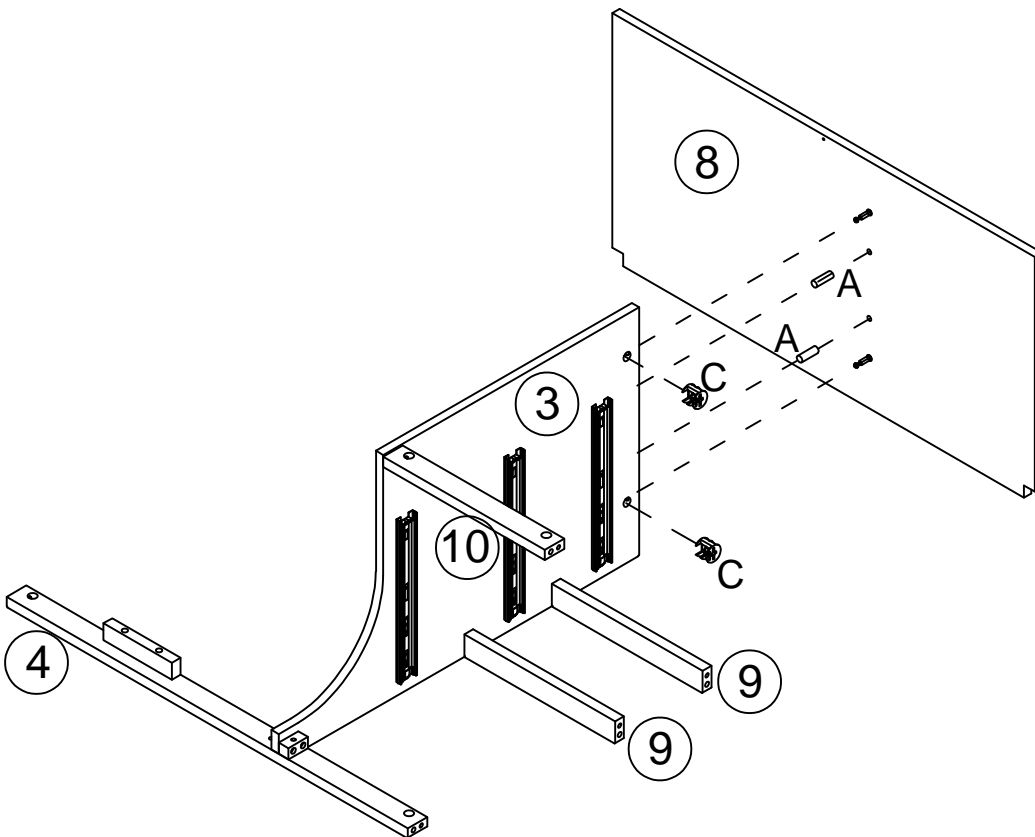
### STEP: 3



<b>C</b>	
	3PCS
<b>A</b>	
	3PCS
<b>G</b>	
	1PC



### STEP: 4



<b>C</b>	
	2PCS
<b>A</b>	
	2PCS

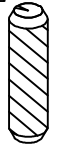
**STEP: 5**

**C**

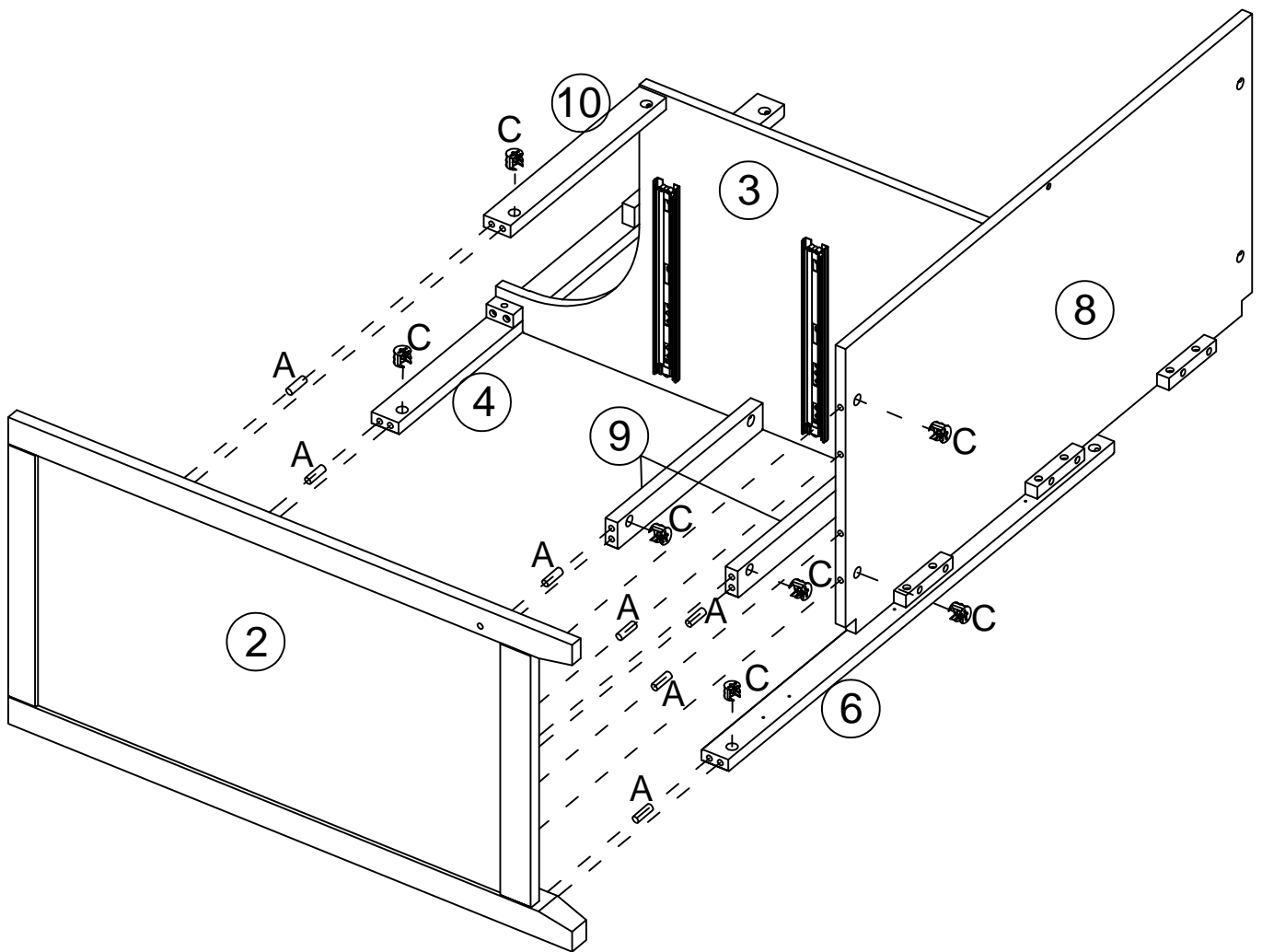


7PCS

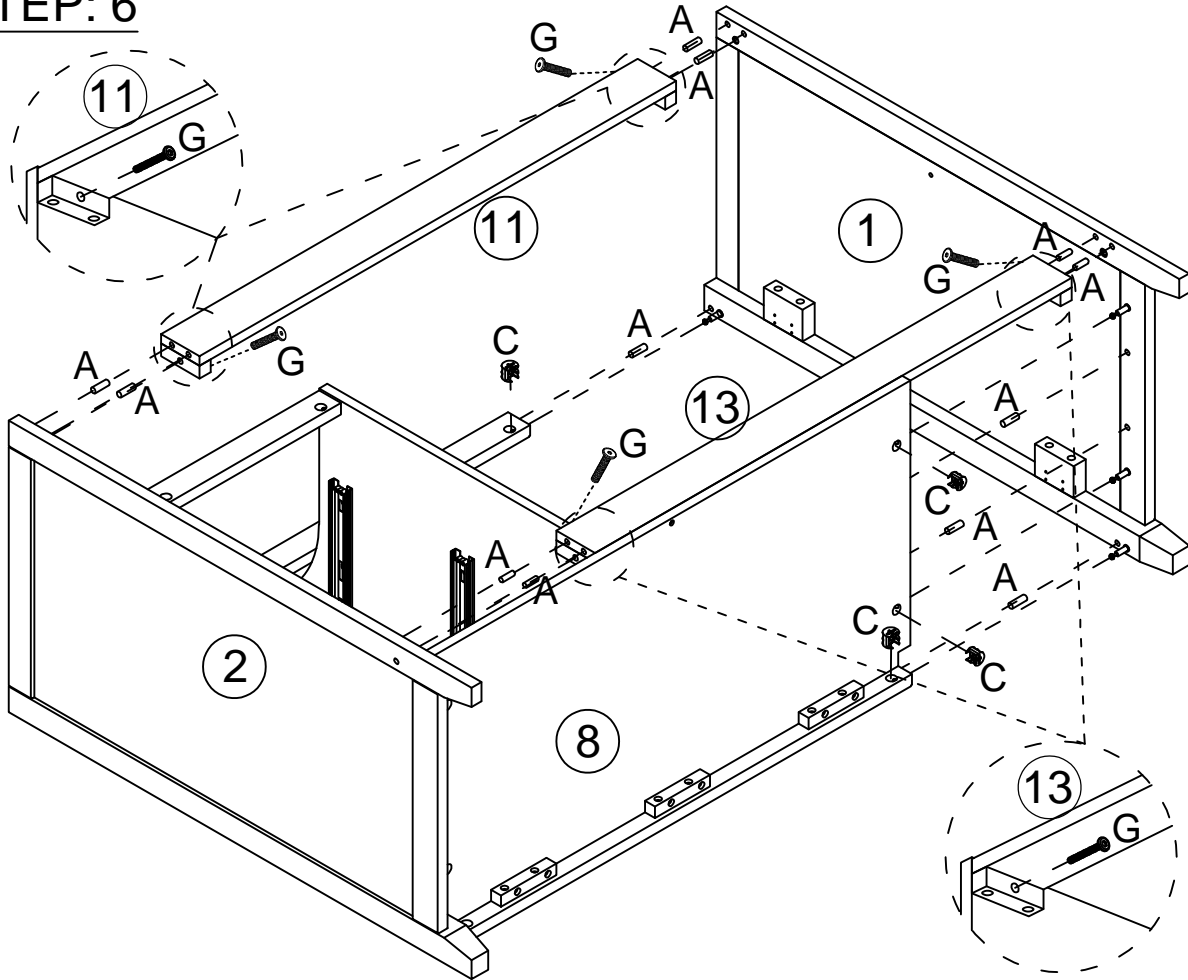
**A**



7PCS



# STEP: 6

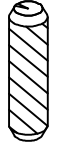


**C**



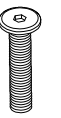
4PCS

**A**



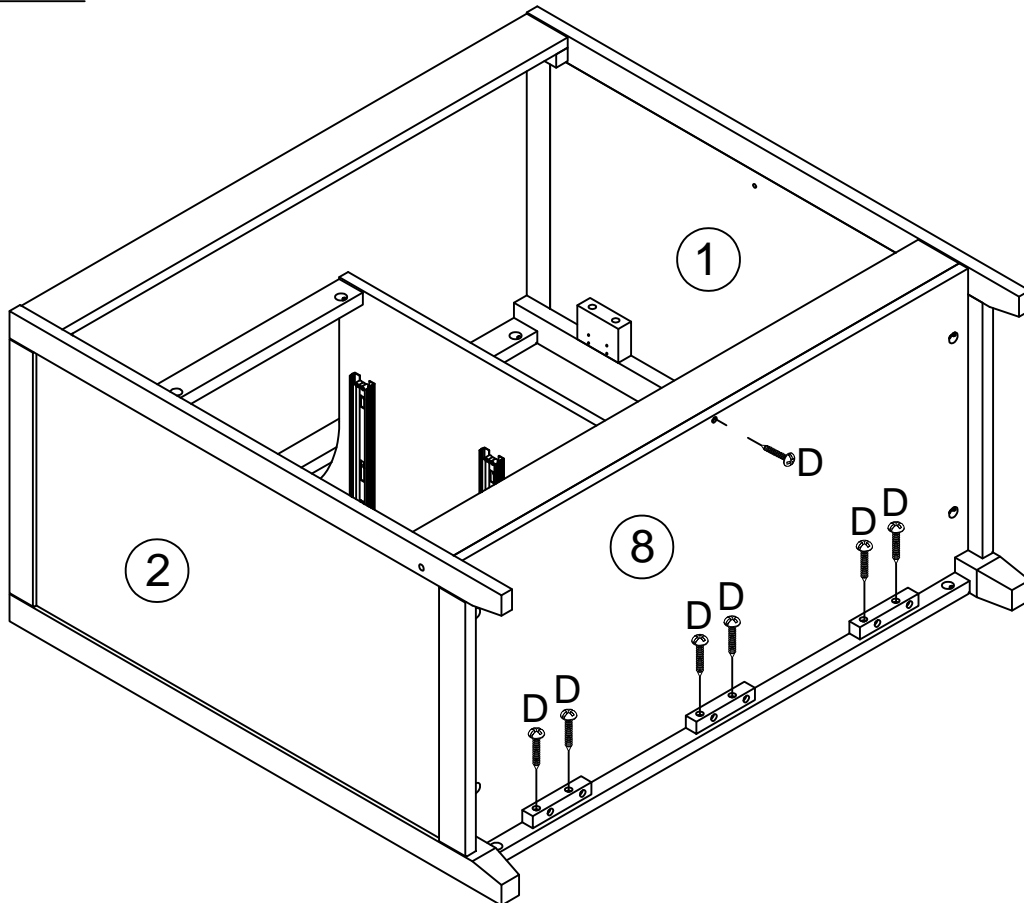
12PCS

**G**



4PCS

# STEP: 7

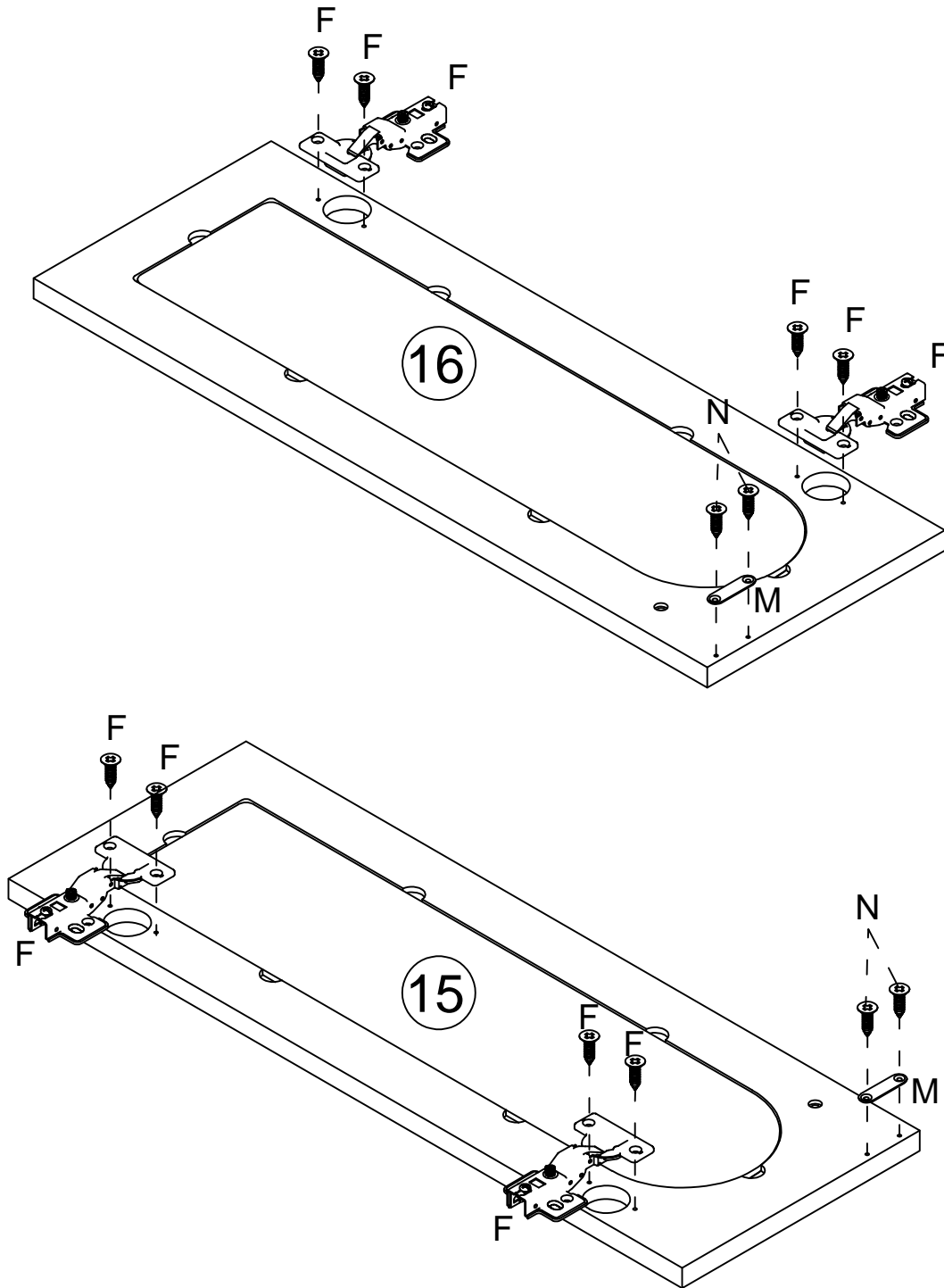


**D**

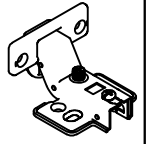


7PCS

# STEP: 8

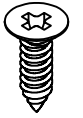


F



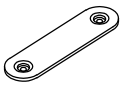
4PCS

F



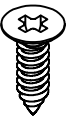
8PCS

M



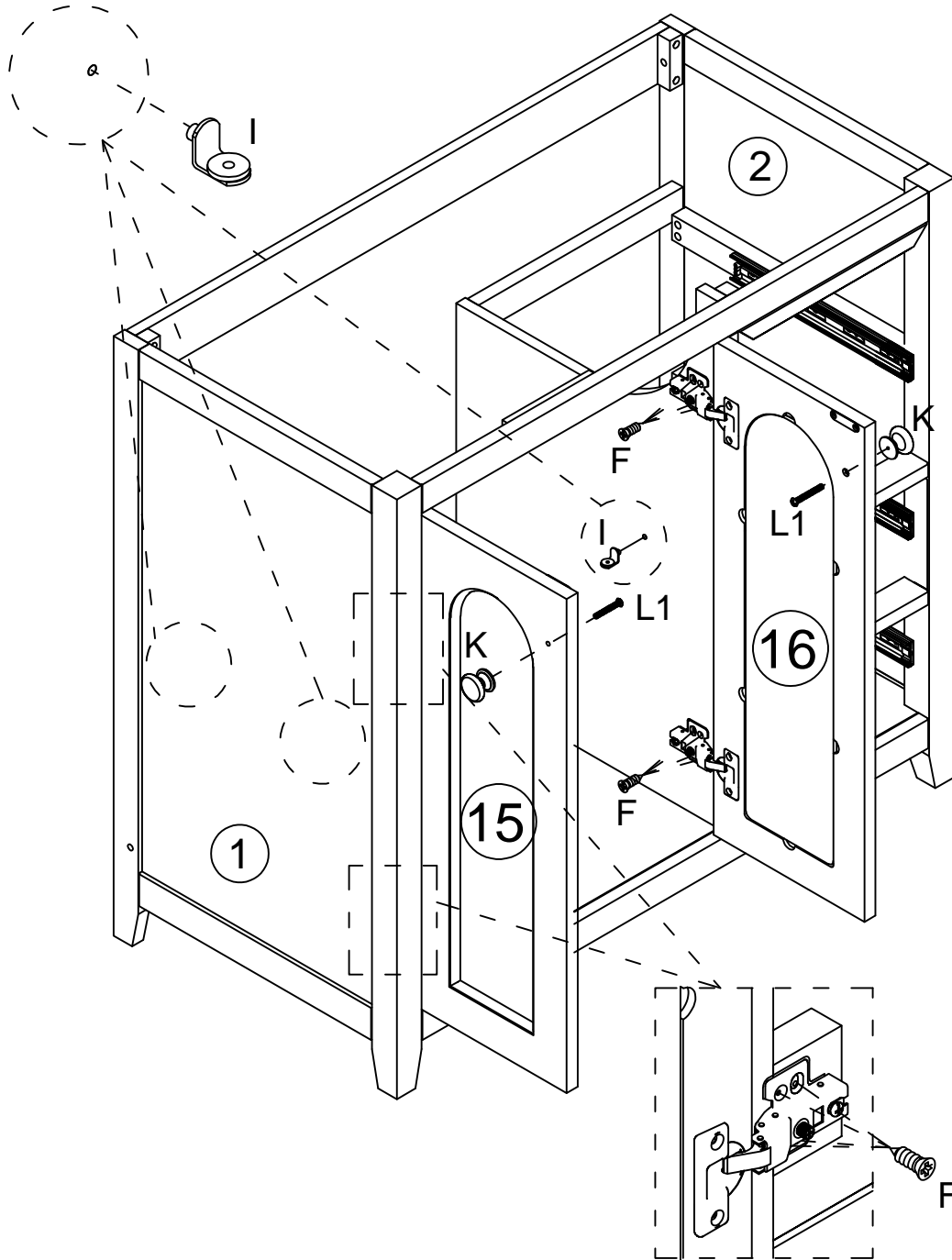
2PCS

N

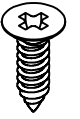


4PCS

# STEP: 9

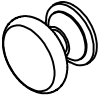


**F**



16PCS

**K**



2PCS

**L1**

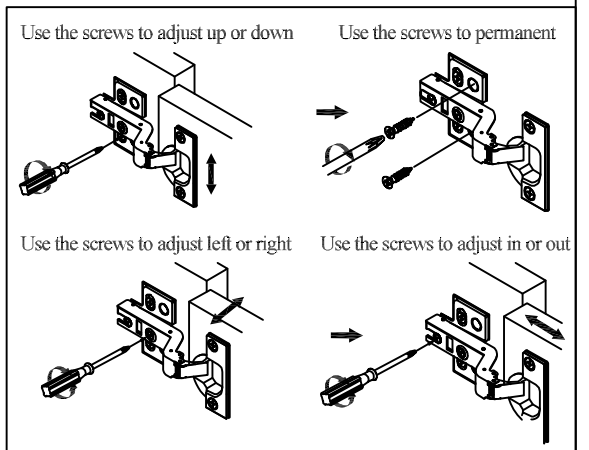


2PCS

**I**



3PCS

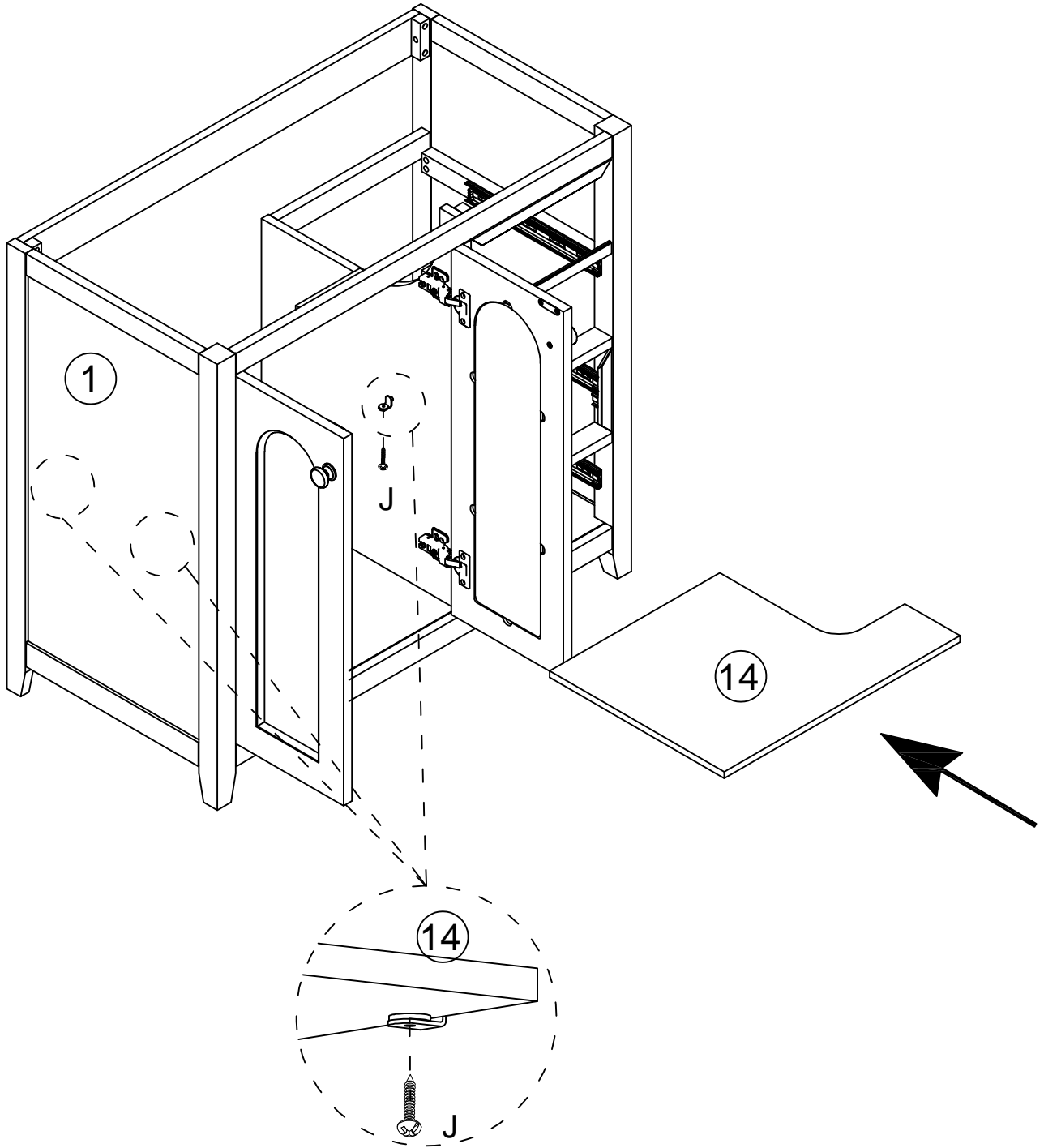


STEP: 10

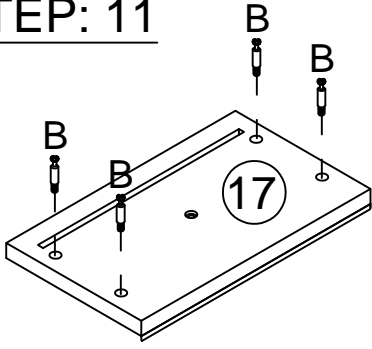
J

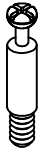
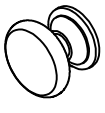






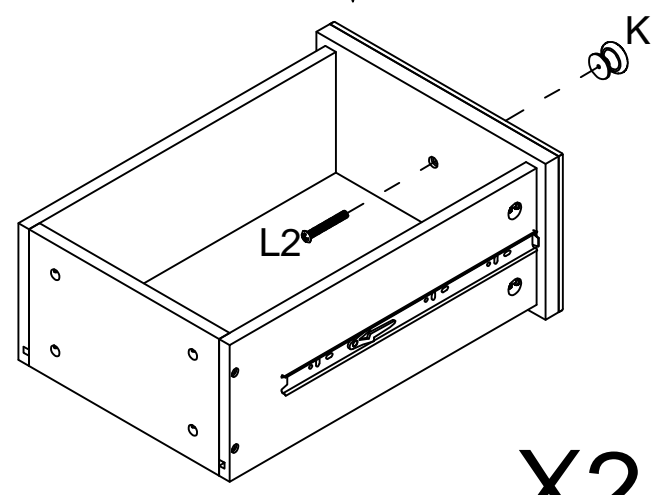
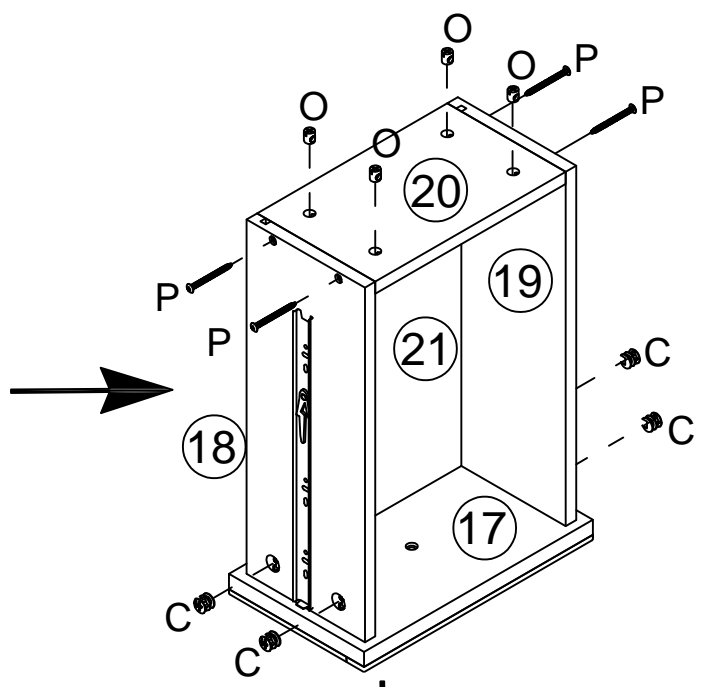
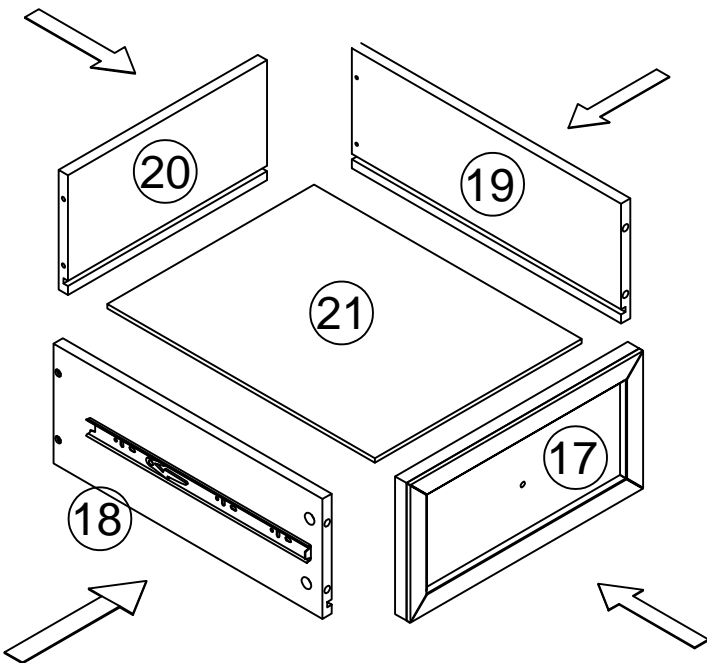
3PCS



**STEP: 11**

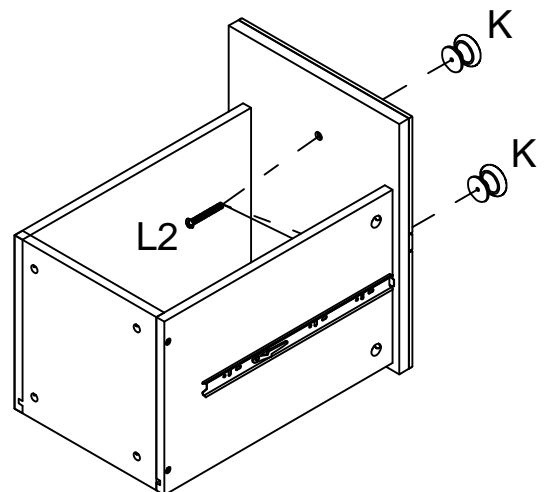
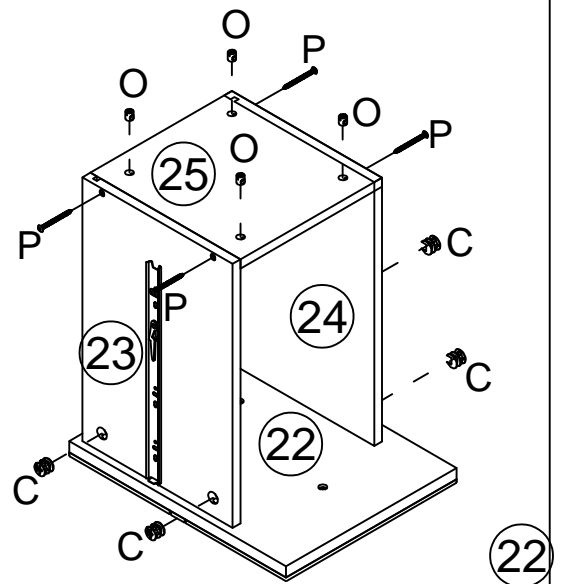
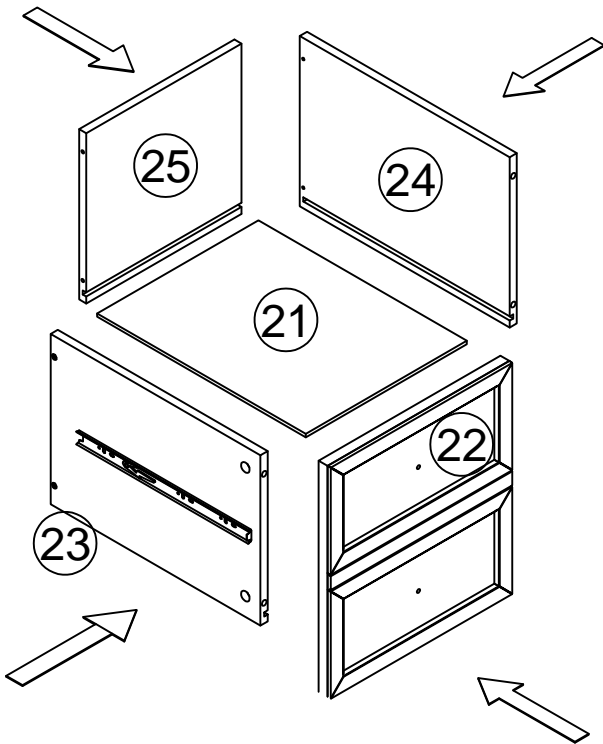
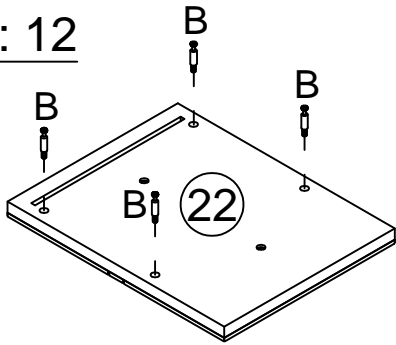



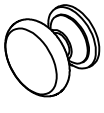



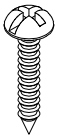
<b>B</b>	<b>K</b>	<b>O</b>
		
8PCS	2PCS	8PCS
<b>C</b>	<b>L2</b>	<b>P</b>
		
8PCS	2PCS	8PCS



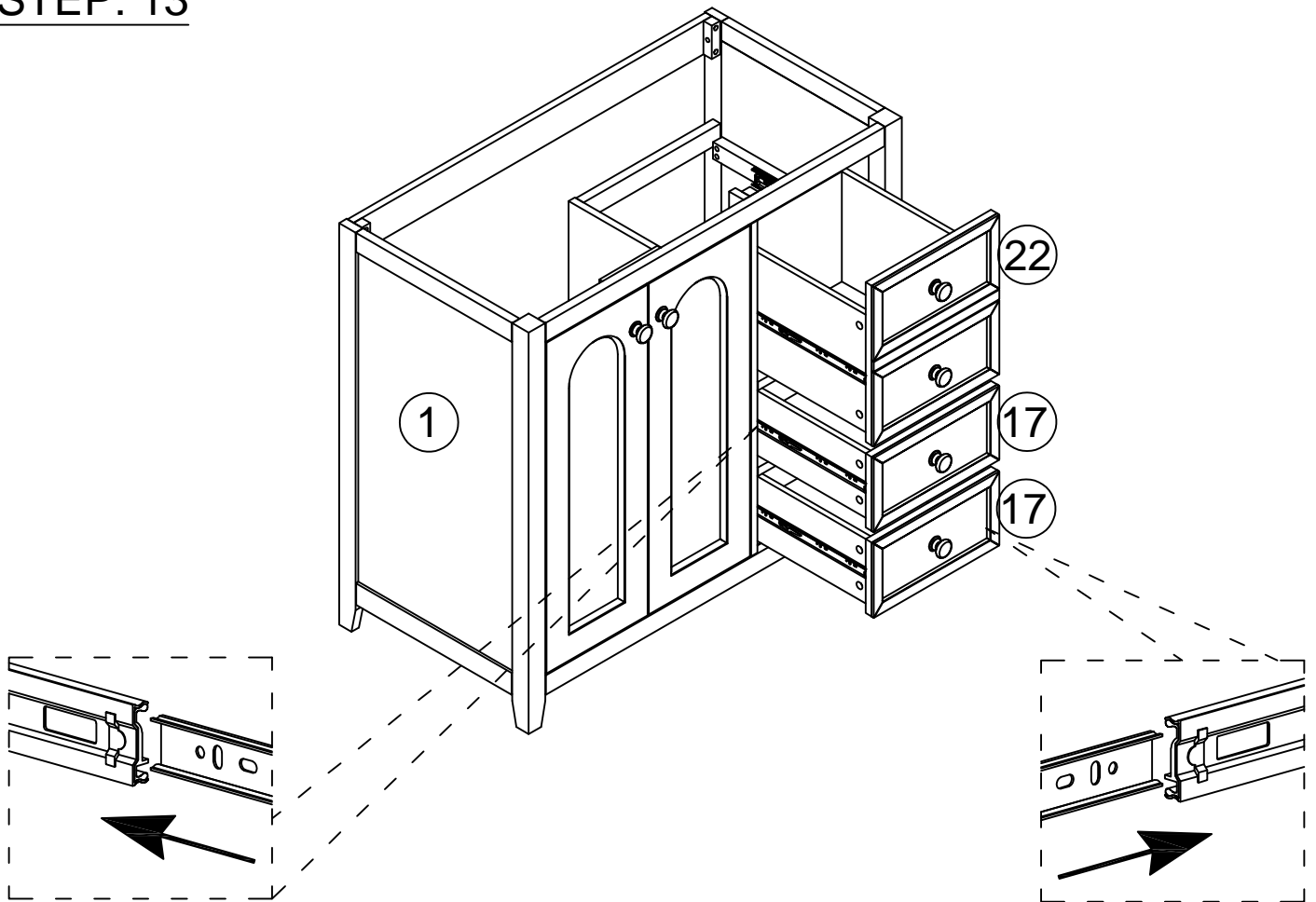
**X2**

**STEP: 12**

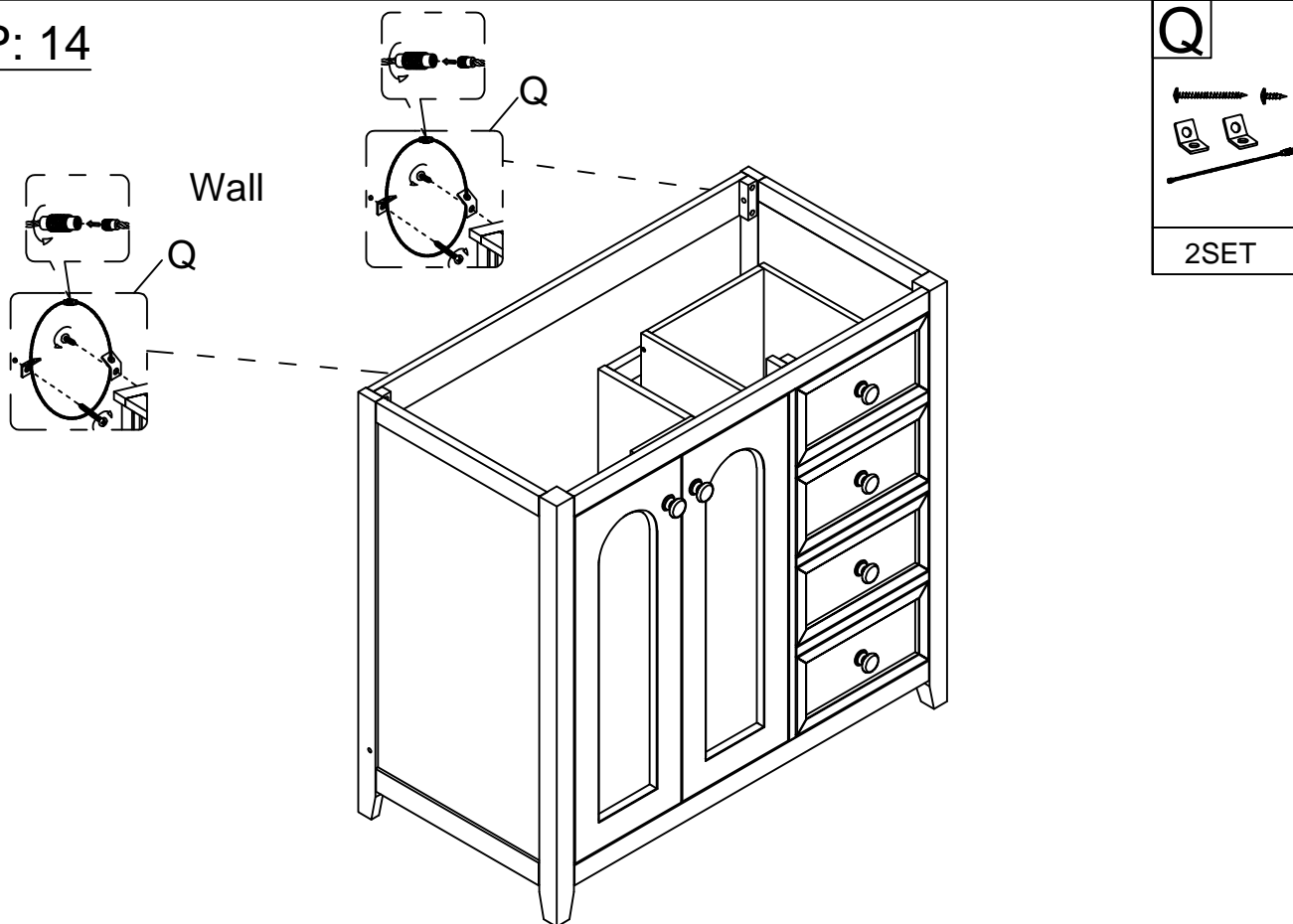


<b>B</b>	<b>K</b>	<b>O</b>
		
4PCS	2PCS	4PCS
<b>C</b>	<b>L2</b>	<b>P</b>
		
4PCS	2PCS	4PCS

**STEP: 13**

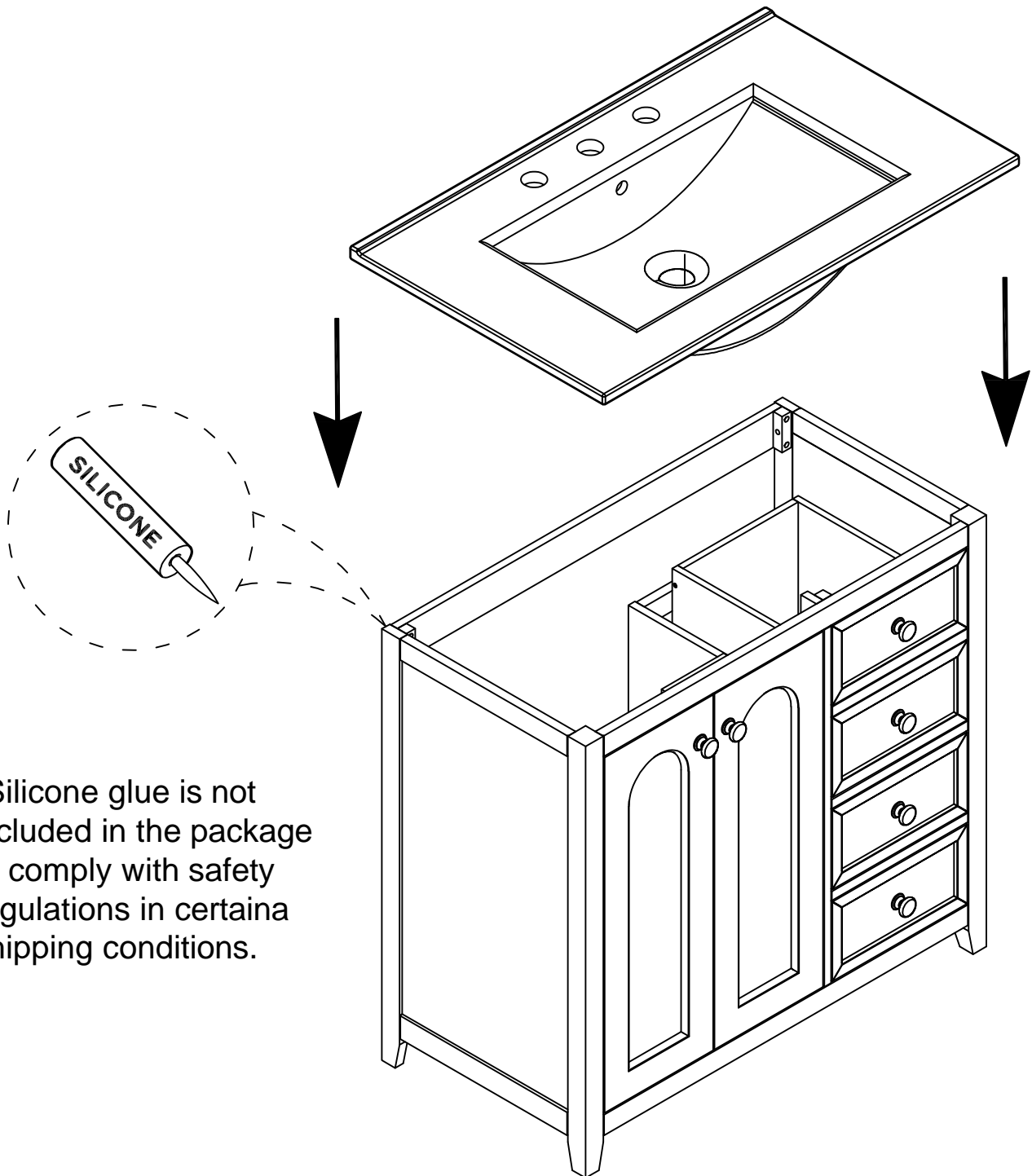


**STEP: 14**



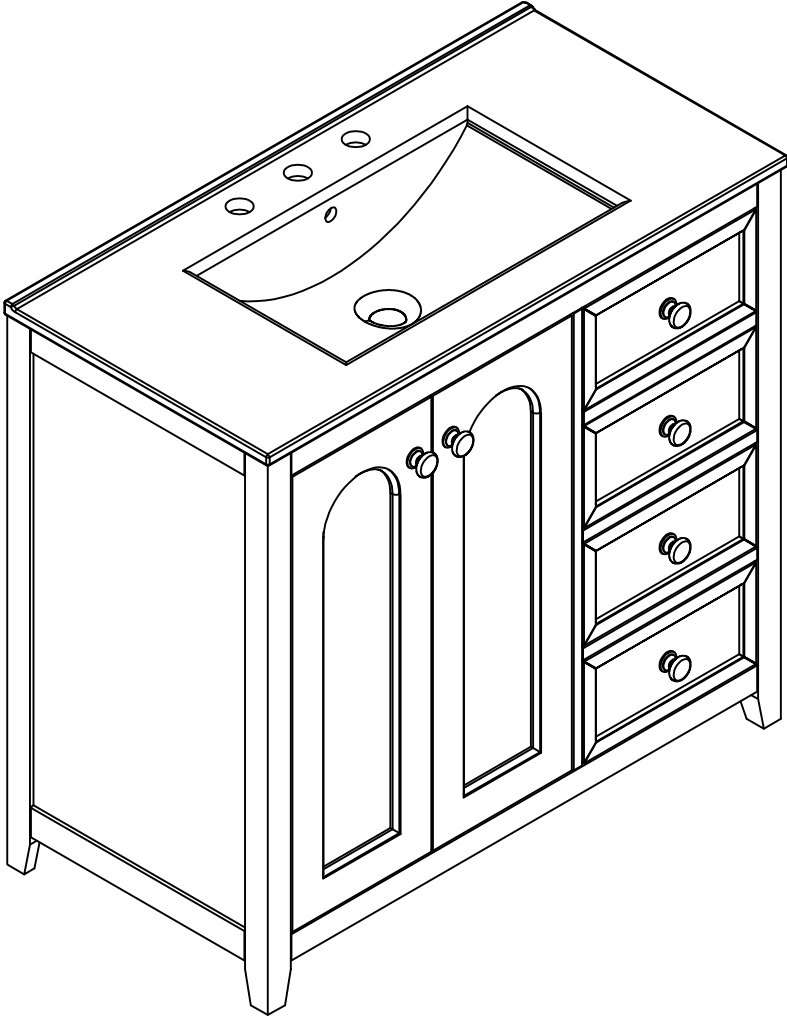
## STEP: 15

Install the sink on the cabinet with glue.  
Let stand for 24 hours

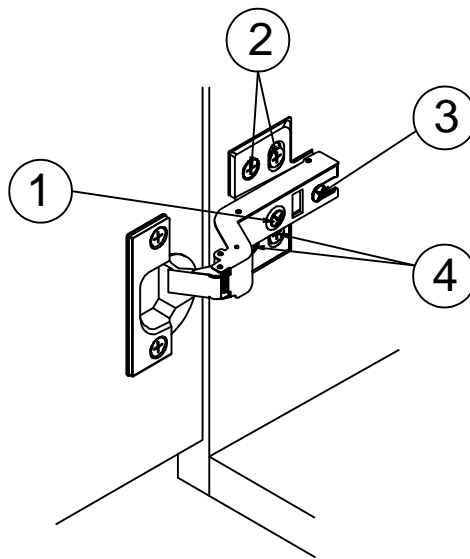


\*Silicone glue is not included in the package to comply with safety regulations in certain shipping conditions.

STEP: 15



# HINGE ADJUSTMENTS

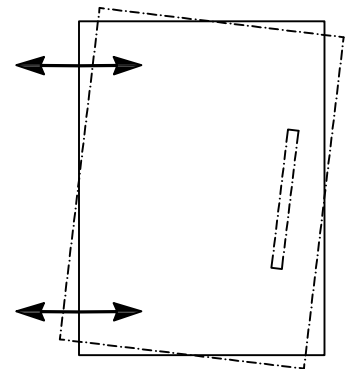


## ① Sideways / Tilt adjustment

Turn the screw

**clockwise** to move the door further away from the side of the cabinet

**anticlockwise** to move the door closer to the side of the cabinet

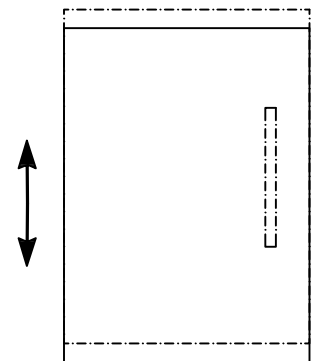


## ② ④ Height adjustment

While supporting the weight of the door, turn the screws

**clockwise** to move the door up

**anticlockwise** to move the door down



## ③ Forward and back adjustment

