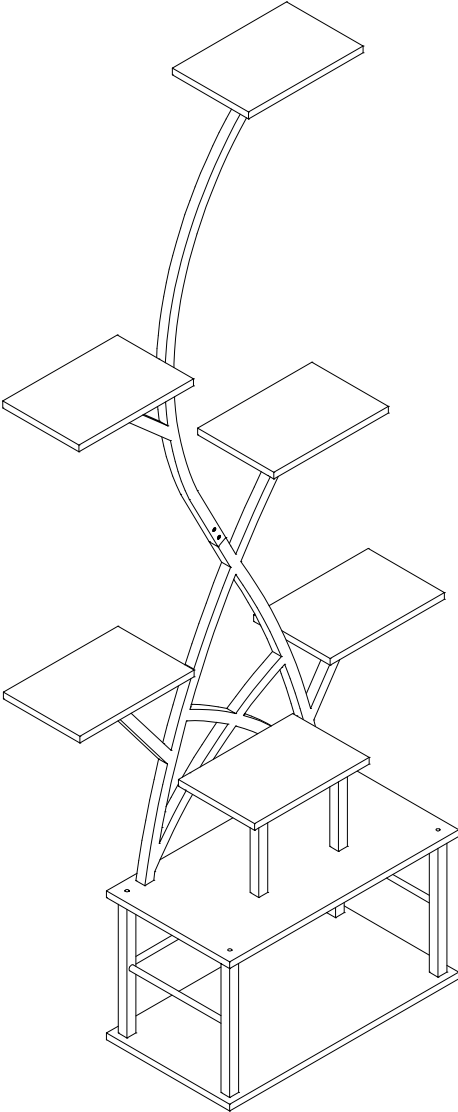
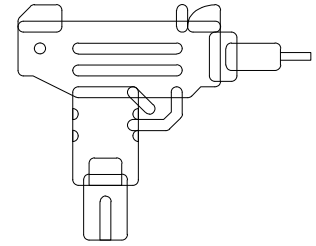
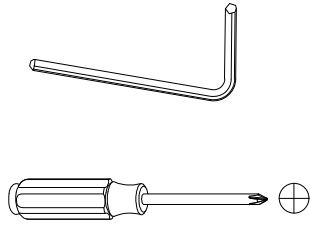
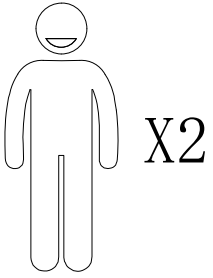
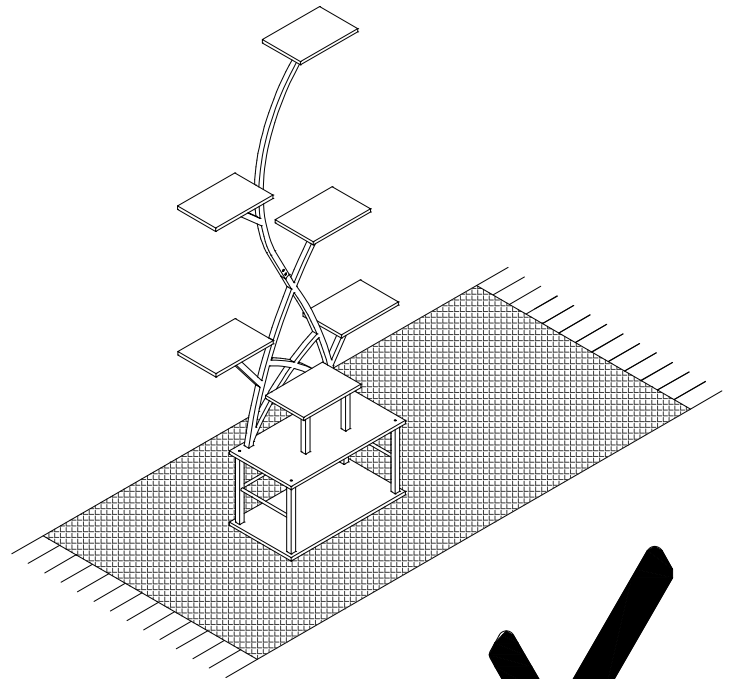
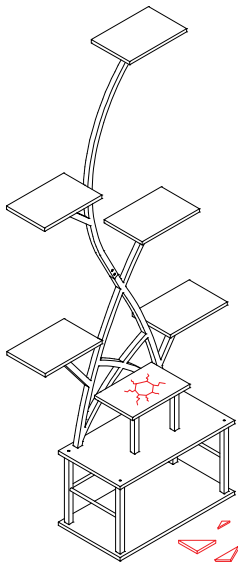
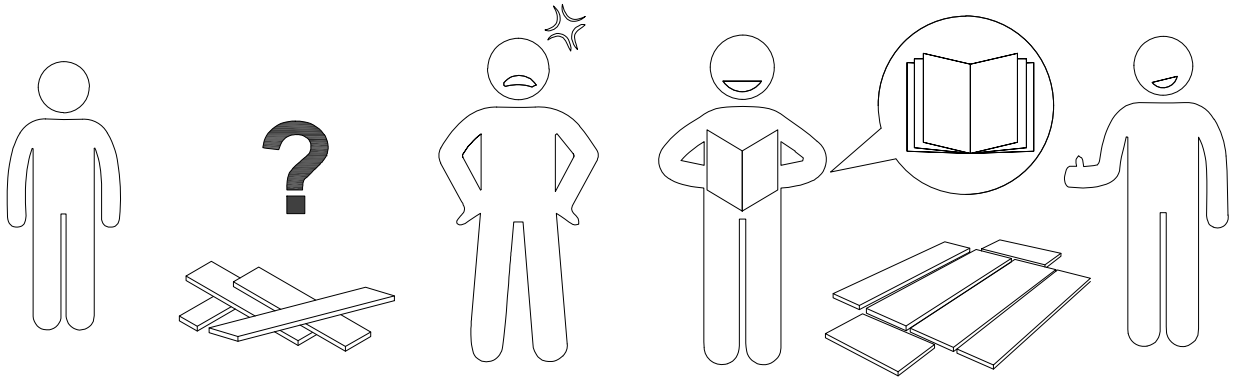
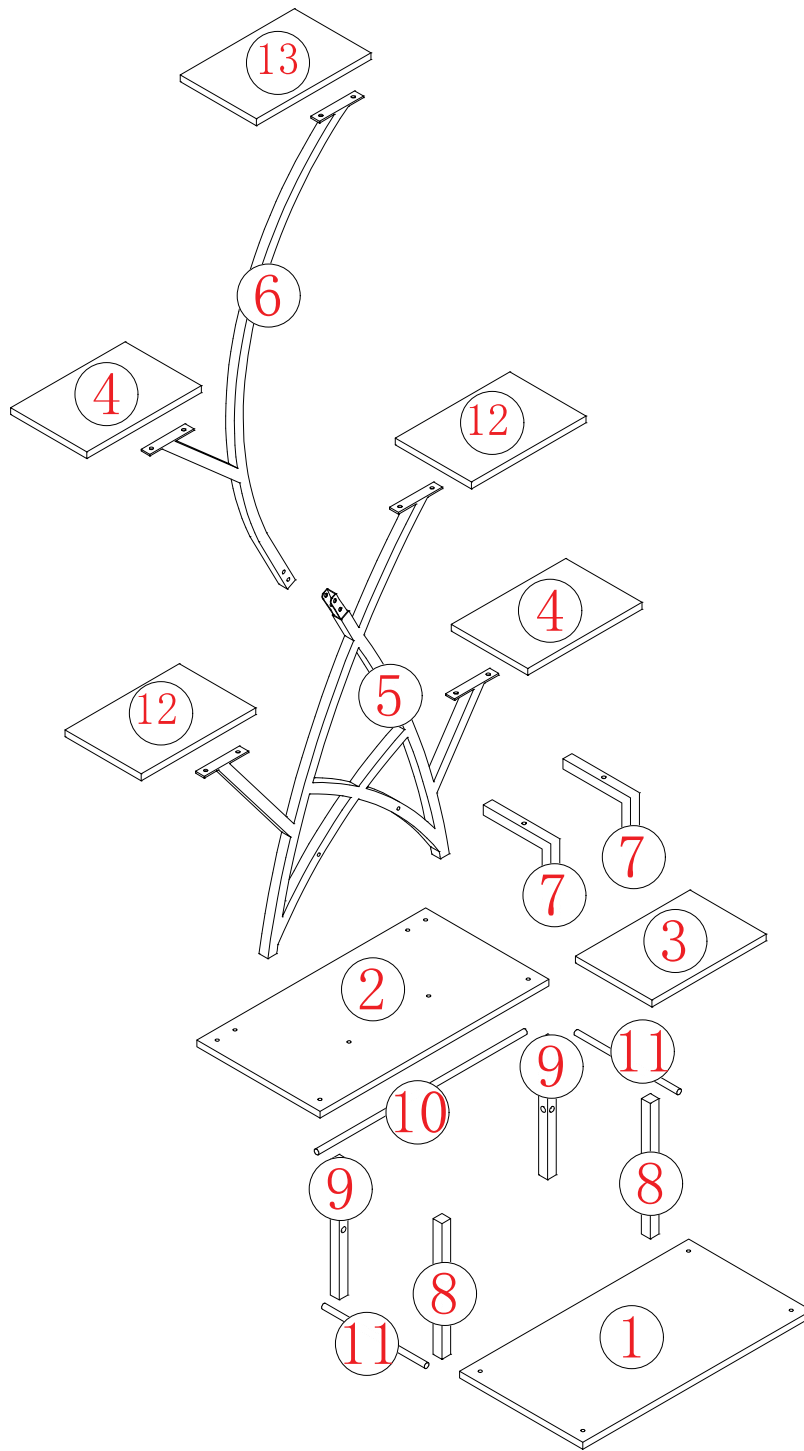

Assembly Instructions





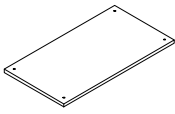
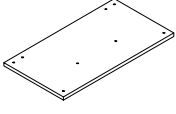
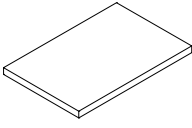
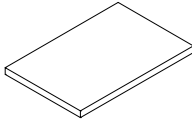
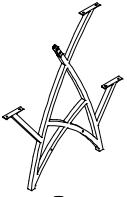
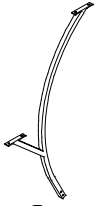
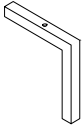

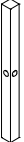
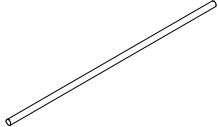
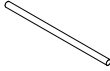
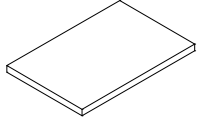
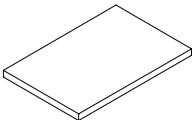
When using the electric screwdriver ,
Reduce the power and torque to avoid damaging the furniture








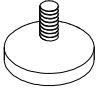
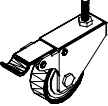


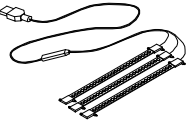
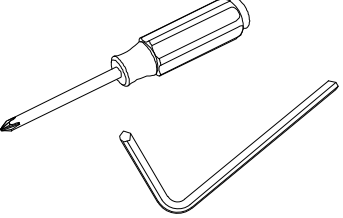


Make sure all parts are included. Most board parts are labeled or stamped on the raw edge. Contact us for free replacement if having damaged or missing parts.

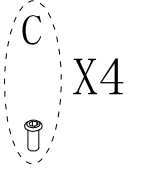
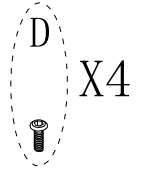
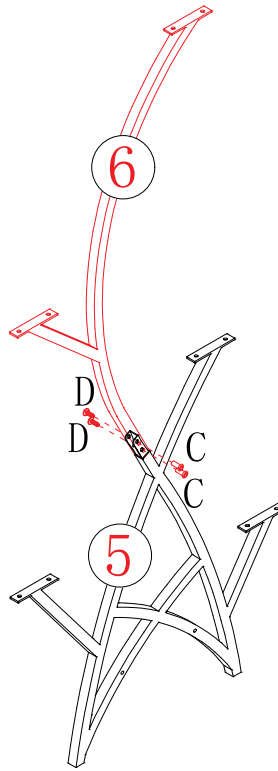
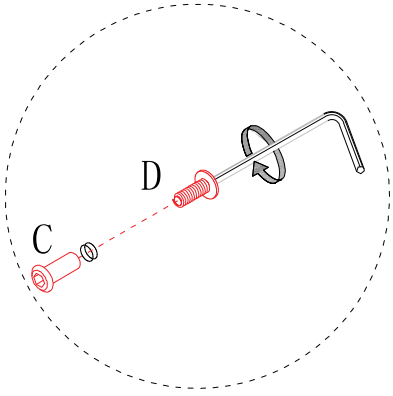
Parts & Hardware List

 ① 1pc	 ② 1pc	 ③ 1pc	 ④ 2pc	 ⑤ 1pc
 ⑥ 1pc	 ⑦ 2pc	 ⑧ 2pc	 ⑨ 2pc	 ⑩ 1pc
 ⑪ 2pcs	 ⑫ 2pc	 ⑬ 1pc		

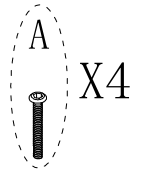
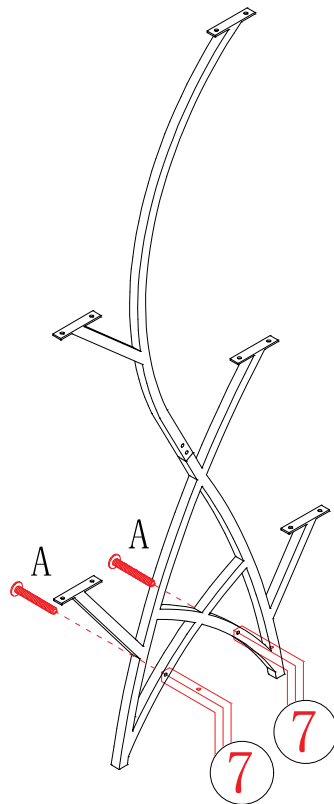
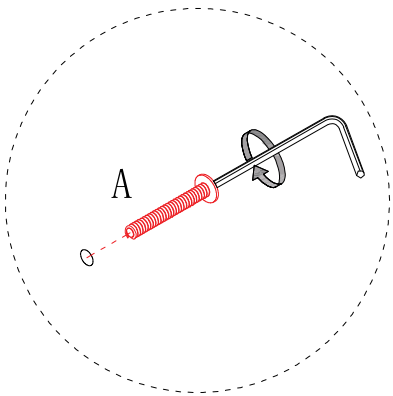
Parts & Hardware List

 A 2pcs	 B 6pcs	 C 2pcs	 D 2pcs	 E 10pcs	 F 4pcs
 G 4pcs	 H 8pcs	 I 12pcs	 J 1pcs		

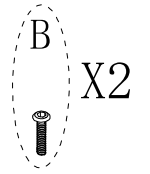
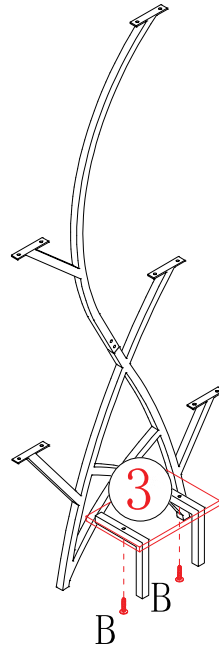
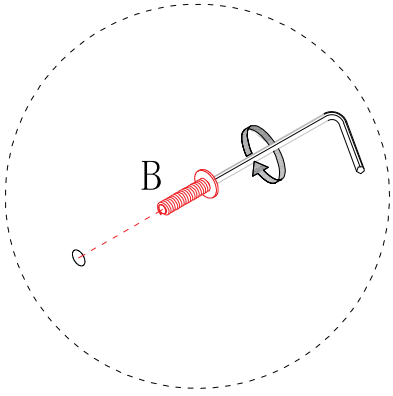
1



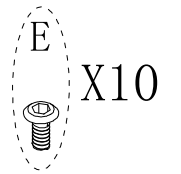
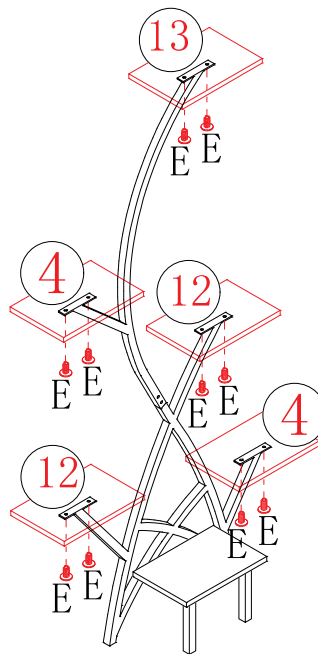
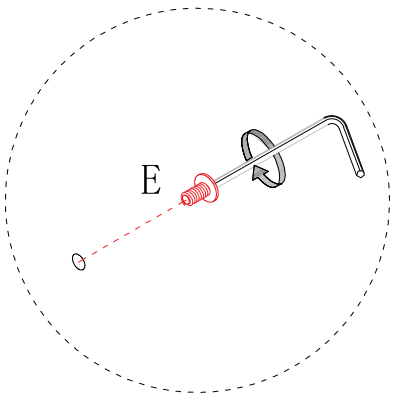
2



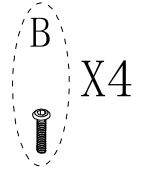
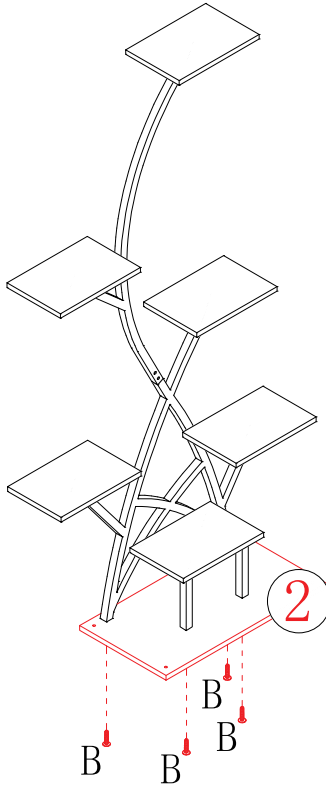
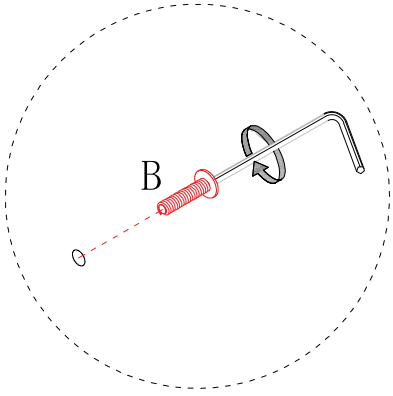
3



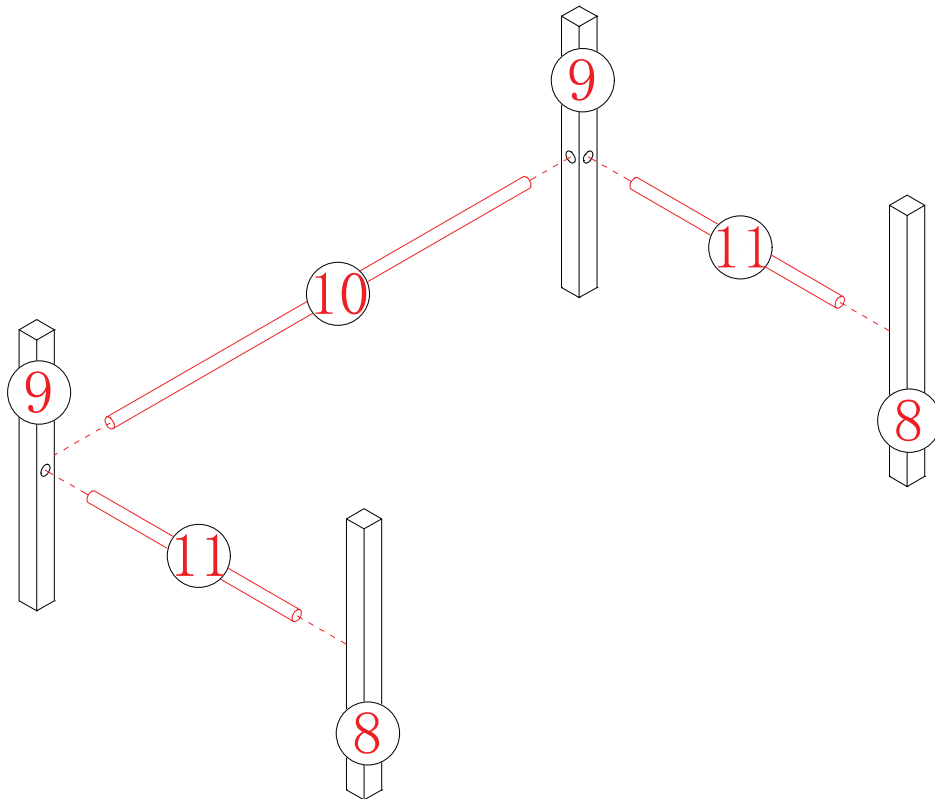
4



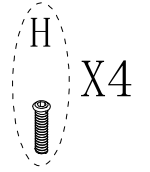
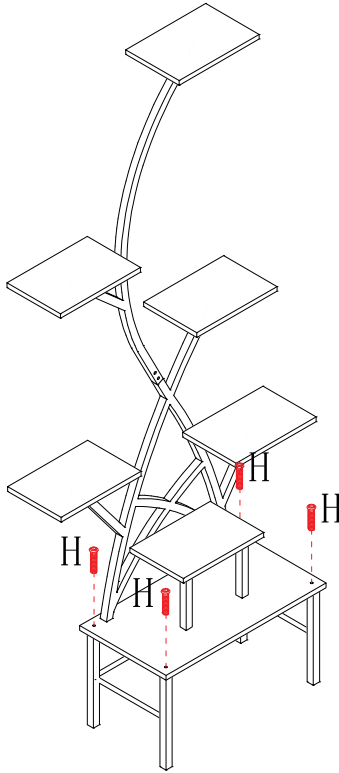
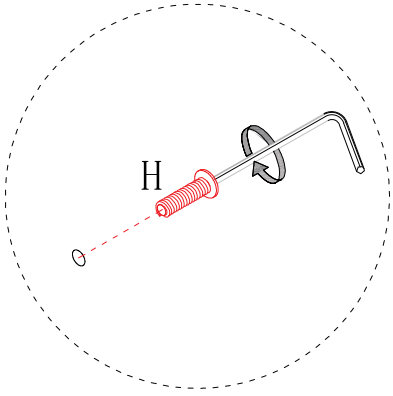
5



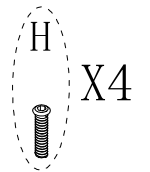
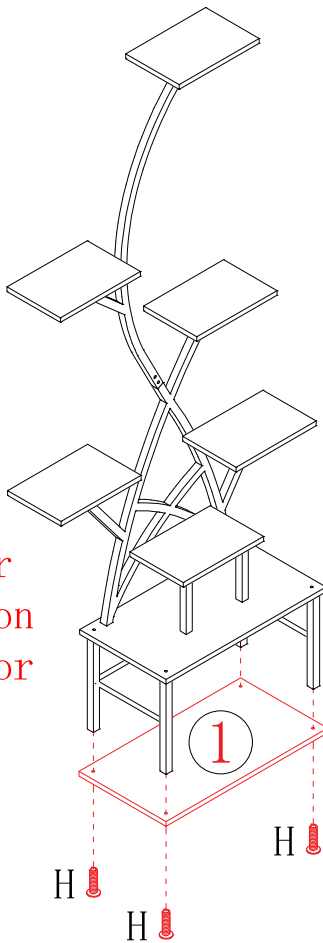
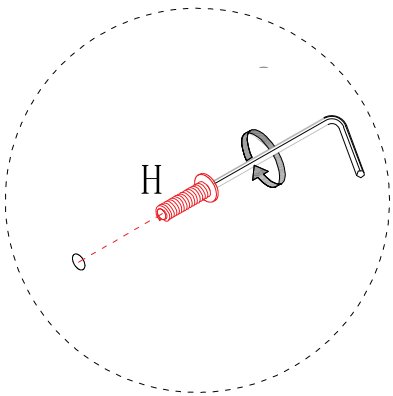
6



7

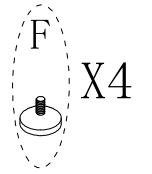
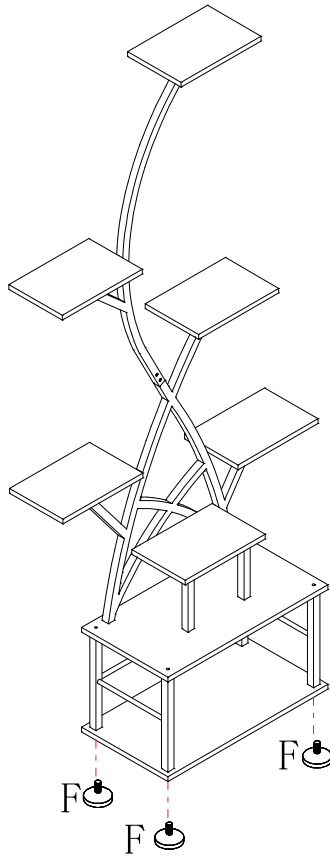


8



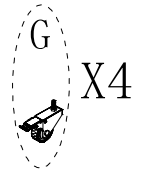
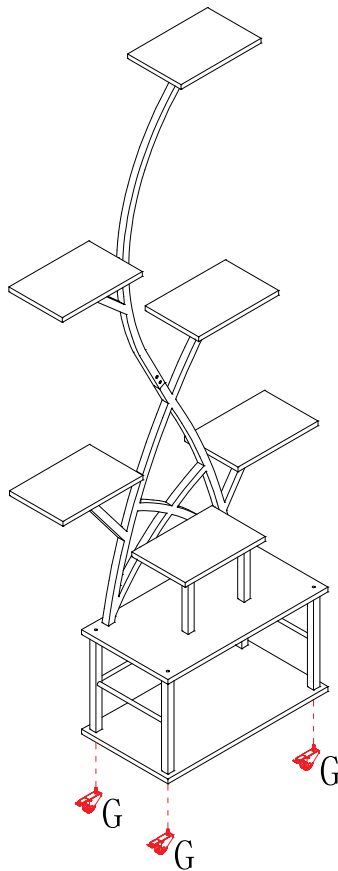
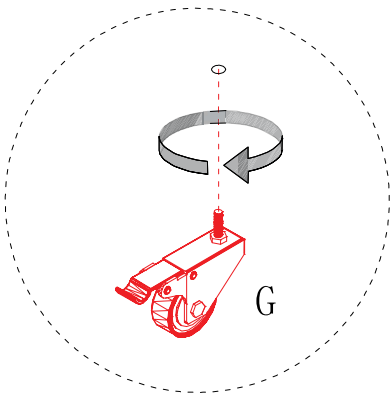
You can install wheels or foot pads at this location following either step 9 or step 10.

9



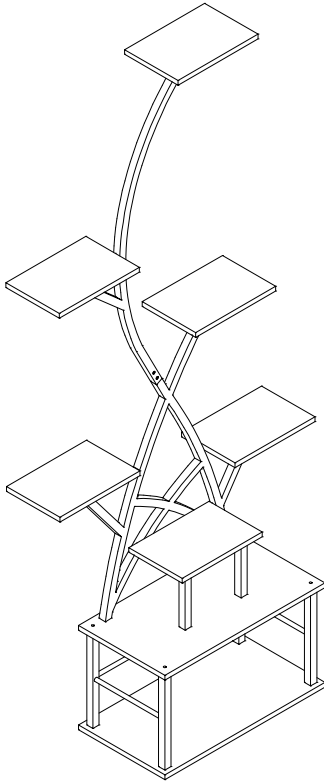
X4

10



X4

11



12

