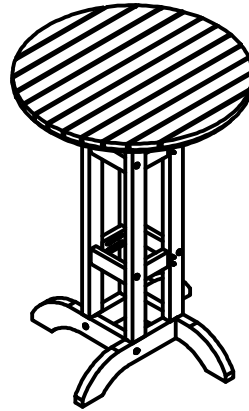
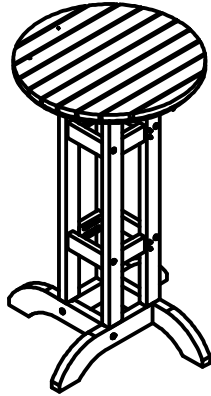


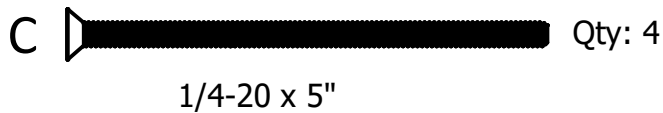
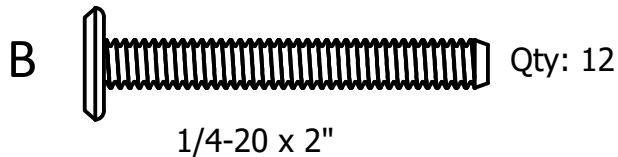
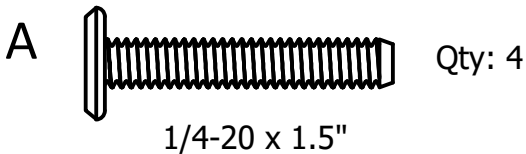
24"/30" Bistro Table

Assembly Guide

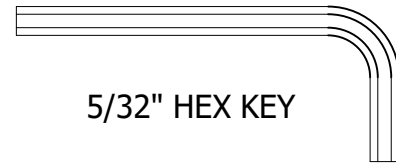


*Actual Style May Vary from the One Pictured in this Guide

HARDWARE INCLUDED



TOOLS INCLUDED



IMPORTANT!

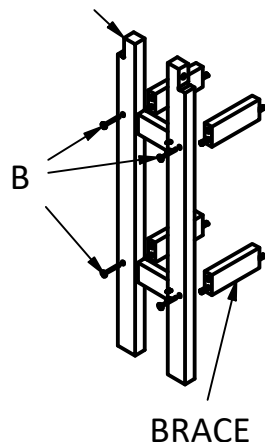
DO NOT fully tighten bolts until all bolts are started.

STEP 1

LEG ASSEMBLY

Attach the Brace to the Leg Assembly using (4) B Bolts.

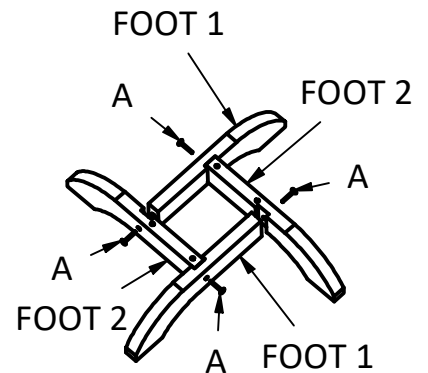
Repeat this step on the side with the other Leg Assembly.



STEP 2

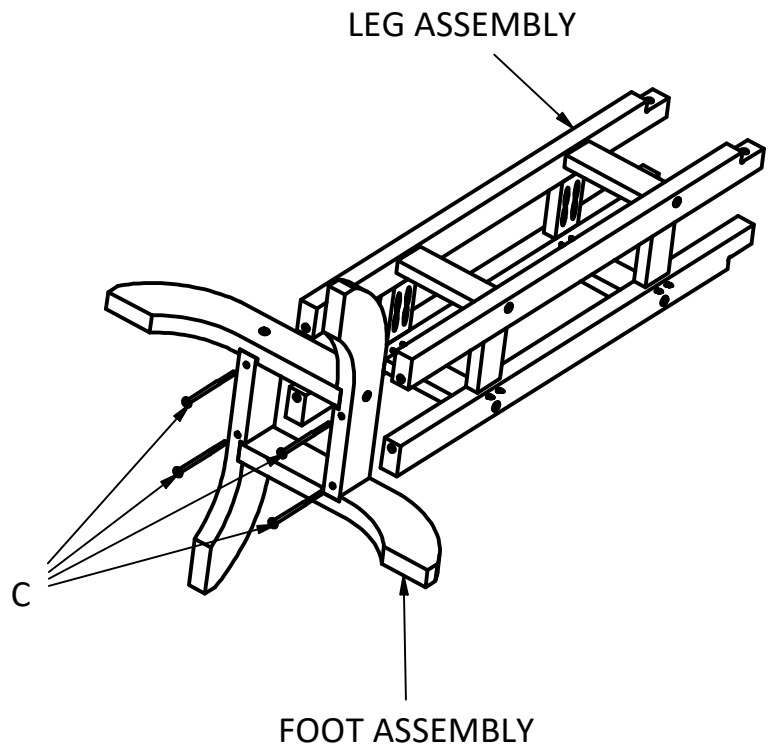
Assemble the Feet Assembly as shown in the image to the right using (4) A Bolts.

Note: The feet with the extra holes need to be across from each other as shown.



STEP 3

Attach the Leg Assembly to the Foot Assembly using (4) C Bolts.



STEP 4

Attach the Tabletop Assembly to the Pedestal Assembly using (4) B Bolts.

